

*Style of product may vary from picture*

## PRODUCT DIMENSIONS

	INCHES	CENTIMETERS
A	30 min	76.2 min
B	24 min	61.0 min
C	22 5/8 ± 1/16	57.5 ± 0.1
D	24 min	61.0 min
E	28 1/2 ± 1/16	72.4 ± 0.1
F	15 7/8	40.3
G	1 3/8	3.5
H	23 7/16	59.5
J	29 3/4	75.6
K	20 3/16	51.3

## MODEL SKUs

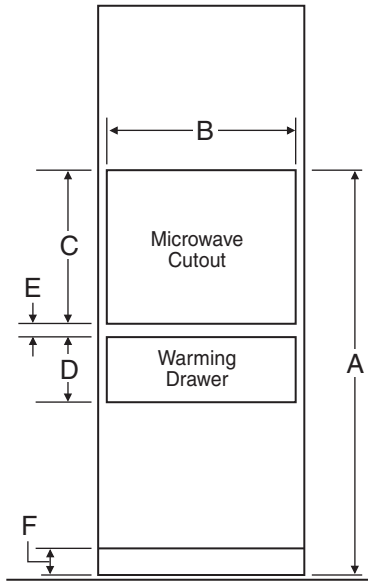
JMC8130DDB  
 JMC8130DDQ  
 JMC8130DDS  
 JMC8130DDW

## NOTES:

1. Properly Polarized and Grounding Outlet
2. 5/8" Plywood Floor (Must Support 100 pounds)
3. Do not block air intake slots along top of oven.
4. Do not block exhaust slot along bottom of oven.

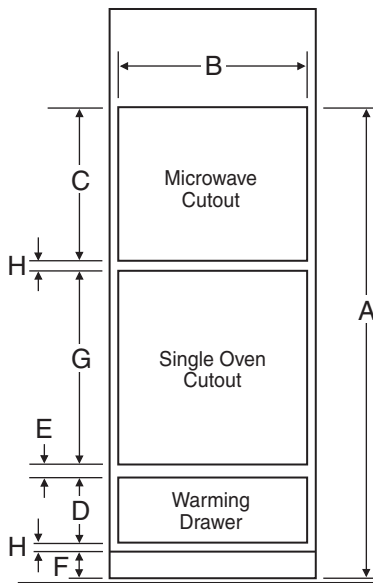
**Electrical requirements:** Adequately wired individual 240V A/C, 60Hz approved electrical circuit.  
 Use required fuse (15 amp) or comparable circuit break

### JMC8130 MICROWAVE AND WARMING DRAWER INSTALLATION



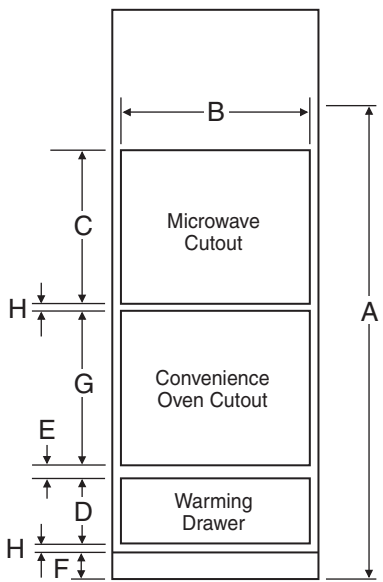
DIM A = 59 1/4" (150.5 cm)

### JMC8130 MICROWAVE, SINGLE WALL OVEN AND WARMING DRAWER INSTALLATION



DIM A (With Warming Drawer) = 69" (173.6 cm)  
 DIM A (Without Warming Drawer) = 59 1/4" (150.5 cm)

### JMC8130 MICROWAVE, JJW7530 CONVENIENCE OVEN AND WARMING DRAWER INSTALLATION



DIM A (With Warming Drawer) = 62 1/2" (158.8 cm)  
 DIM A (Without Warming Drawer) = 59 1/4" (150.5 cm)

### PRODUCT DIMENSIONS

	INCHES	CENTIMETERS
B	28 1/2	72.4
C	22 5/8	57.5
D	9 1/4	23.5
E <sup>1</sup>	2	5.1
F	4	10.2
G	29 1/8	74.0
H <sup>1</sup>	1	2.5

### NOTES:

1. Between Cutouts.

## Free Manuals Download Website

<http://myh66.com>

<http://usermanuals.us>

<http://www.somanuals.com>

<http://www.4manuals.cc>

<http://www.manual-lib.com>

<http://www.404manual.com>

<http://www.luxmanual.com>

<http://aubethermostatmanual.com>

Golf course search by state

<http://golfingnear.com>

Email search by domain

<http://emailbydomain.com>

Auto manuals search

<http://auto.somanuals.com>

TV manuals search

<http://tv.somanuals.com>