

# INSTALLATION INSTRUCTIONS

# Built-In 27" & 30" Electric Wall Ovens

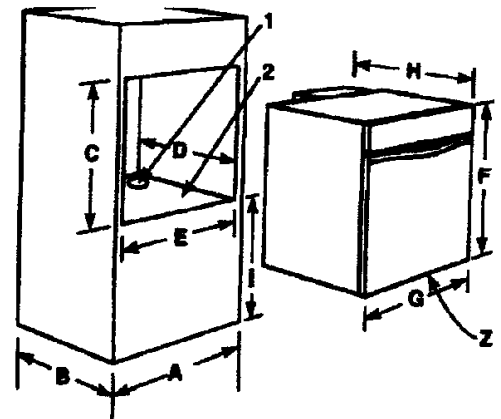


403 WEST FOURTH STREET, NORTH • NEWTON, IA 50208

27" SINGLE WALL OVEN		
1	1 1/4" Dia. Conduit Access Hole*	
2	5/8" Plywood Floor (Must Support 142 lbs.)	
DIMENSIONS		
	inches	cm
A	27 MIN	68.58
B	24 MIN	60.96
C	27 7/16 ± 1/16	69.69
D	23 1/2 MIN	59.69
E	25 1/2 ± 1/16	64.77
F	27 3/4	70.49
G	26 3/4	67.95
H	24 7/16	62.07
I	4 to 33	10.2 to 83.8

30" SINGLE WALL OVEN		
1	1 1/4" Dia. Conduit Access Hole*	
2	5/8" Plywood Floor (Must Support 142 lbs.)	
DIMENSIONS		
	inches	cm
A	30 MIN	76.20
B	24 MIN	60.96
C	27 7/16 ± 1/16	69.69
D	23 1/2 MIN	59.69
E	28 3/16 ± 1/16	71.60
F	27 3/4	70.49
G	29 3/4	75.57
H	24 7/16	62.07
I	4 to 33	10.2 to 83.8

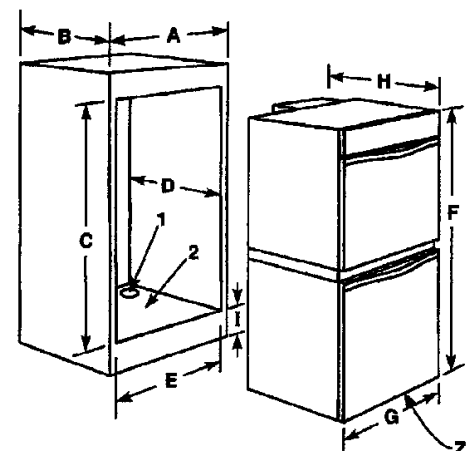
SINGLE WALL OVEN



27" DOUBLE WALL OVEN		
1	1 1/4" Dia. Conduit Access Hole*	
2	5/8" Plywood Floor (Must Support 250 lbs.)	
DIMENSIONS		
	inches	cm
A	27 MIN	68.58
B	24 MIN	60.96
C	49 5/8 ± 1/16	126.05
D	23 1/2 MIN	59.69
E	25 1/2 ± 1/16	64.77
F	49 15/16	126.84
G	26 3/4	67.95
H	24 7/16	62.07
I	4 to 12	10.2 to 30.5

30" DOUBLE WALL OVEN		
1	1 1/4" Dia. Conduit Access Hole*	
2	5/8" Plywood Floor (Must Support 250 lbs.)	
DIMENSIONS		
	inches	cm
A	30 MIN	76.20
B	24 MIN	60.96
C	49 5/8 ± 1/16	126.05
D	23 1/2 MIN	59.69
E	28 3/16 ± 1/16	71.60
F	49 15/16	126.84
G	29 3/4	75.57
H	24 7/16	62.07
I	4 to 12	10.2 to 30.5

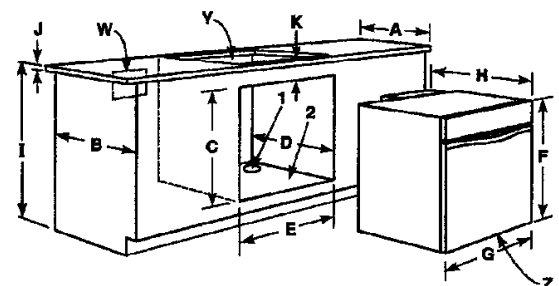
DOUBLE WALL OVEN



27" WALL OVEN UNDER COUNTER		
1	1 1/4" Dia. Conduit Access Hole*	
2	5/8" Plywood Floor (Must Support 142 lbs.)	
DIMENSIONS		
	inches	cm
A	25	63.50
B	24 MIN	60.96
C	27 7/16 ± 1/16	69.69
D	23 1/2 MIN	59.69
E	25 1/2 ± 1/16	64.77
F	27 3/4	70.49
G	26 3/4	67.95
H	24 7/16	62.07
I	36	91.44
J	1 1/2	3.81

30" WALL OVEN UNDER COUNTER		
1	1 1/4" Dia. Conduit Access Hole*	
2	5/8" Plywood Floor (Must Support 142 lbs.)	
DIMENSIONS		
	inches	cm
A	25	63.50
B	24 MIN	60.96
C	27 7/16 ± 1/16	69.69
D	23 1/2 MIN	59.69
E	28 3/16	71.60
F	27 3/4	70.49
G	29 3/4	75.57
H	24 7/16	62.07
I	36	91.44
J	1 1/2	3.81

UNDER COUNTER WALL OVEN



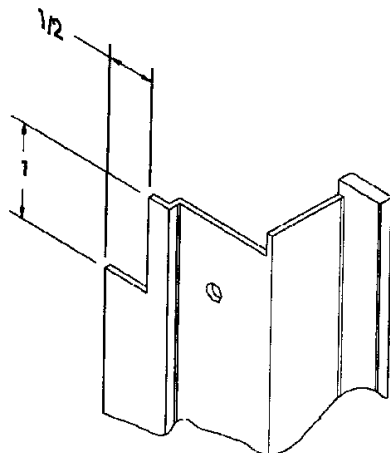
	27" WALL OVEN		30" WALL OVEN		
	inches	cm	inches	cm	
** COOKTOPS					
K	4 Burner Gas Glass Top	2 1/8 MIN	5.4 MIN	2 1/8 MIN	5.4 MIN
K	Electric	3 1/8 MIN	7.9 MIN	3 1/8 MIN	7.9 MIN
K	Induction	3 1/8 MIN	7.9 MIN	3 1/8 MIN	7.9 MIN
K	4 Burner Gas Stamped Top	4 13/16 MIN	12.2 MIN	4 13/16 MIN	12.2 MIN

NOTES	
Z	Do not block air intake slots along bottom of oven.
Y	Gas or electric cooktops may be installed over ovens. See cooktop installation instructions for cutout size.
W	Electrical connection for electric cooktop must in adjacent accessible location. Cooktop and wall oven must be on separate 120/240 or 120/208 volt 60 Hz AC circuits.

**NOTE:** \* Hole must be cut as close to corner of cabinet as possible.  
 \*\* See dealer for approved cooktops.

**8101P423-60**  
 (10-01-00)

When installing a 27" wall oven under a 30" cooktop some interference may occur. The following cutout notching of the side trims will eliminate the interference of the side trim to the burner box. After cutting, file the side trim edges to eliminate burrs.



### CAUTION

For European style cabinets (flush front) the required clearance for operation of the oven door is minimum spacing of 7/8" between the cutout and the door, hinge or drawer of the cabinet.

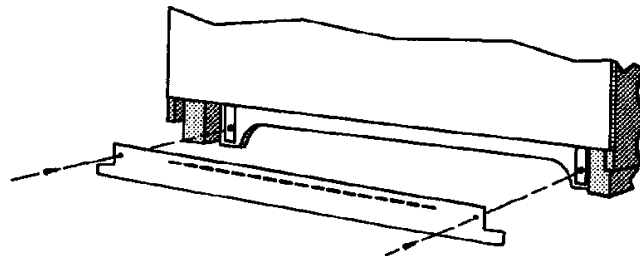
Some built-in cabinets may not be wide enough, due to their construction, to allow this installation.

1. Cut hole in cabinet to mount oven. Cutout in cabinet should be level and straight.

**NOTE:** There are no provisions to level the unit after it is installed. An oven that is not level could cause poor baking results.

2. Install plywood floor as shown.
3. Attach unit to the cabinet with four No. 8 x 1" screws supplied with unit inside of envelope containing these instructions. Pre-drill holes in cabinet for attachment screws using 1/8" drill. Oven mounting holes are provided in side trim.
4. See instructions at right for electrical hook-up.
5. See Use and Care Manual for operating instructions.

## Installing Bottom Trim Piece



## Electrical Connections

Unit to be properly circuit protected and wired according to local electrical code and National Electrical Code.

It is advisable that the electrical wiring and hookup be accomplished by a competent electrician.

120/240 VAC or 120/208 VAC 60 Hz. See serial plate on front of unit for power requirements.

The neutral of this unit is grounded to the frame through the green or solid grounding wire. (The green and the white wires are twisted together at the termination of the conduit.) If used on new branch-circuit installations (1996 NEC), mobile homes, recreational vehicles, or in an area where local codes prohibit grounding through the neutral conductor, untwist or disconnect the green wire and connect the green wire to ground in accordance with local code. Connect the white neutral to the service neutral. Connect all wires to the branch circuit with approved connectors. Use copper or aluminum wire. If aluminum wire is used, use connectors recognized for joining aluminum to copper.

The chart below recommends the minimum circuit protection and wire size if the appliance is the only unit on the circuit.

K.W. RATING ON SERIAL PLATE	RECOMMENDED MINIMUM CIRCUIT PROTECTION IN AMPERS	WIRE SIZE (AWG)
0 - 4.8	20	12
4.9 - 6.9	30	10
7.0 - 9.9	40	8
10.0 - 11.9	50	8
12.0 - 14.9	60	6

## Service

Interrupt the source of electricity to the unit when attempting to repair or service the oven. Failure to do this could result in a dangerous or even fatal shock.

**IMPORTANT - SAVE FOR LOCAL ELECTRICAL INSPECTOR'S USE**

## Free Manuals Download Website

<http://myh66.com>

<http://usermanuals.us>

<http://www.somanuals.com>

<http://www.4manuals.cc>

<http://www.manual-lib.com>

<http://www.404manual.com>

<http://www.luxmanual.com>

<http://aubethermostatmanual.com>

Golf course search by state

<http://golfingnear.com>

Email search by domain

<http://emailbydomain.com>

Auto manuals search

<http://auto.somanuals.com>

TV manuals search

<http://tv.somanuals.com>