

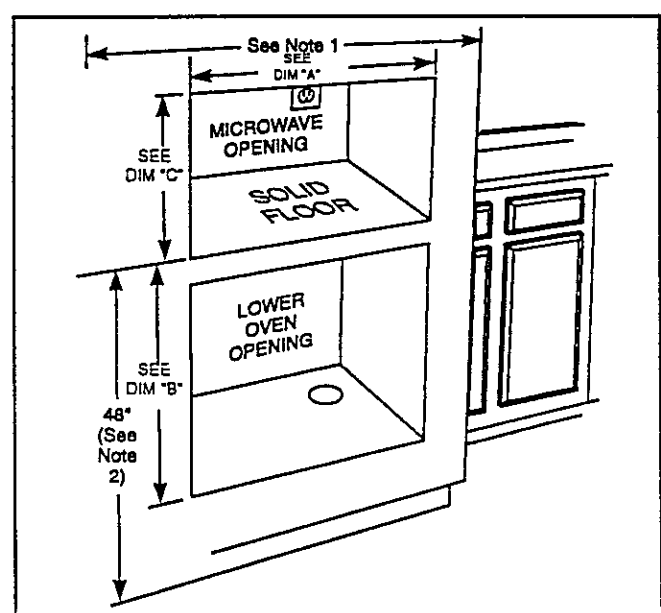
# INFO



## NEW CUTOUT DIMENSIONS FOR INSTALLING BUILT-IN MICROWAVE OVER A SINGLE WALL OVEN

Listed below are the cutout dimensions for installing a built-in microwave over a single wall oven using the different trim kits that are available.

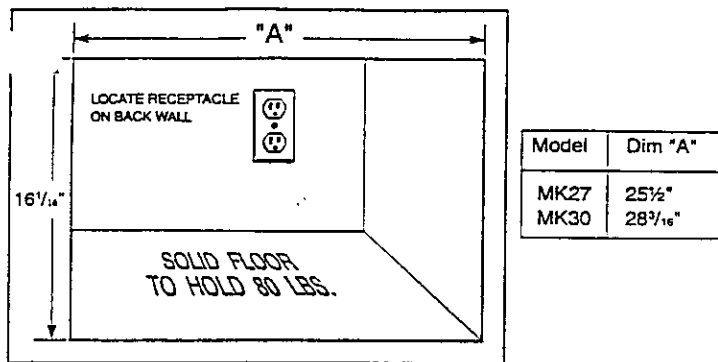
Please note when using trim kits MK27 and MK30 (vs. using A527 and A627), the height cutout (Dim C) has increased slightly to 16 1/16" (from 15 3/4"). Also trim kit A627 is for use with wall oven model W131 only.



Model	Oven Size/ Cabinet Size	Dim "A"	Dim "B"	Dim "C"
MK24	24"/24"	22 7/8"	30 7/8" min.	15 3/4"
MK27	27"/27"	25 1/2"	28 1/2" min.	16 1/16"
MK30	30"/30"	28 3/16"	28 1/2" min.	16 1/16"
A627	30"/33"	28 3/4"	30" min.	15 3/4"

### Step 3. Cabinet or Wall Opening

The opening should be per dimensions described below. All corners should be square. The floor of the opening must be plywood and must be level and capable of supporting 80 lbs.



#### WARNING

The weight of the Microwave may exceed your lifting ability. We recommend assistance.

### Step 4. Assembly of Trim

1. Locate pieces of assembly as indicated in Fig. 5. These include a top, bottom, right, left, (2) glass assemblies, 6 screws (4 flat head and 2 truss head), and 4 end caps.
2. Insert end caps into the end of the top (see Fig. 5).
3. Assemble outer frame by attaching top, sides, and bottom with 4 flat head screws as depicted in Fig. 5.
4. Attach glass assemblies on left and right sides by inserting flange into top and attaching with truss head screw in the bottom (see Fig. 5). Outside of glass to be flush with outside trim.

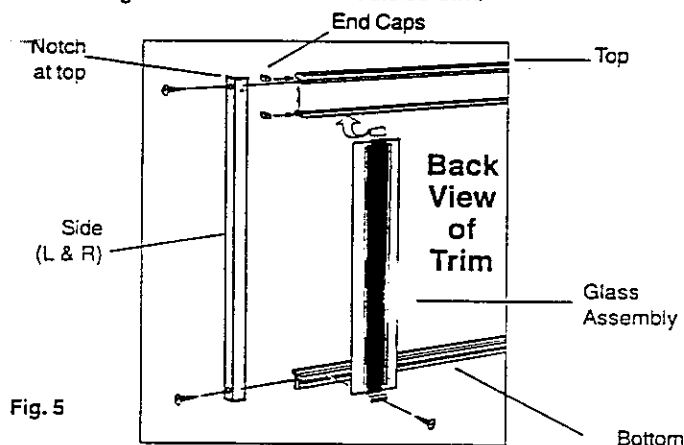


Fig. 5

### Step 5. Installation of Microwave Oven

- Plug power cord of oven into receptacle.
- Slide the oven into the opening. Be sure the lip of the bottom rail is flush with front of cabinet. Center microwave in opening.
- Attach rail to cabinet with 2 flat head screws (see Fig. 6).
- Attach trim assembly as shown in Fig. 7. Insert bottom of trim assembly into rail and rotate upward. Attach top of trim to cabinet with 2 flat head screws.

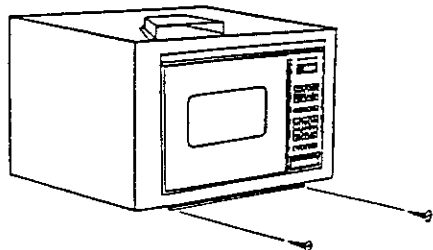


Fig. 6

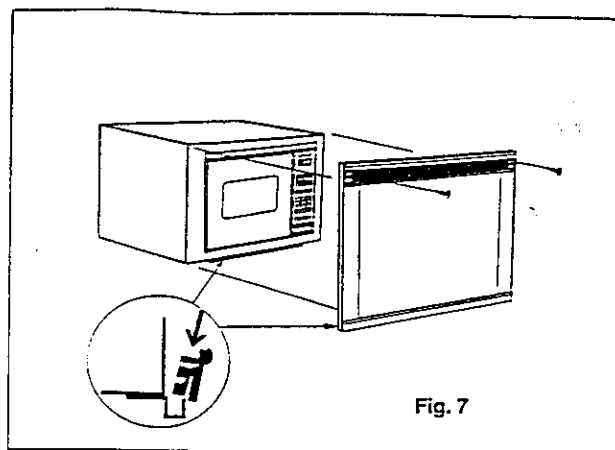


Fig. 7

### Installation Above Lower Oven

**Note 1:** When installing this Kit above a built-in oven, check built-in oven installation instructions to determine cutout dimensions for the (lower) wall oven.

**Note 2:** For a new installation, the 48" height dimension to the bottom of the cutout for the microwave oven is recommended. This places the microwave oven bottom at approximately 50" from the floor. See figure 8.

#### CAUTION

When the microwave oven is installed above a Jenn-Air wall oven, the minimum height dimension from the bottom of the wall oven cutout to the bottom of the microwave cutout must be maintained.

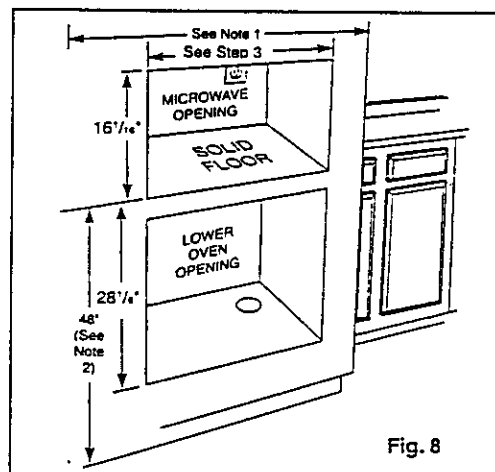


Fig. 8

**MK27 Kits** may be used with microwave model M168, installed above Jenn-Air 27" wall oven models bearing manufacturer No. E33658, when installed in accordance with Manufacturer's Installation Instructions. These include models W27100, W27200, W27400.

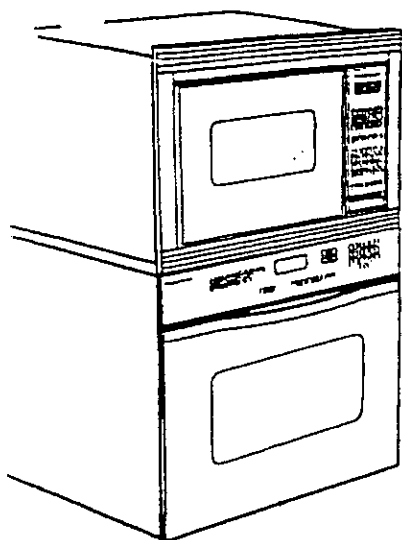
**MK30 Kits** may be used with microwave model M168, installed above Jenn-Air 30" wall oven models bearing manufacturer No. E33658, when installed in accordance with Manufacturer's Installation Instructions. These include models W30100, W30400.

Manufacturer's No. can be obtained from the serial plate on the oven.

- IMPORTANT -  
SAVE FOR LOCAL ELECTRICAL INSPECTOR'S USE

Part # 210649A

With use of Model M168 Microwave oven.



**Note:** A 27" minimum wide cabinet must be provided to install Trim Kit MK27.

**Note:** A 30" minimum wide cabinet must be provided to install Trim Kit MK30.

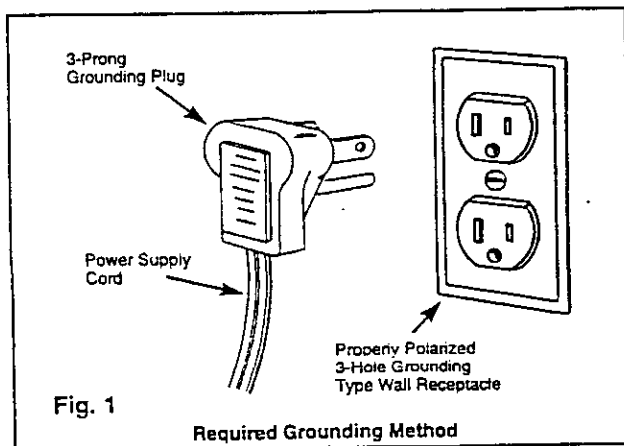
## Step 1. Electrical Requirements

*OBSERVE ALL GOVERNING CODES AND ORDINANCES.*

**A.** A 120-Volt, 60Hz, AC, 15 ampere, fused electrical supply is required (time-delay fuse or circuit breaker is recommended.) However, if your home has a circuit wired and fused for 20 amperes, this is preferred. If you are installing a new circuit, the wired and fused for 20 amperes is recommended. It is also recommended that a separate circuit serving only this appliance be provided. Do not use an extension cord.

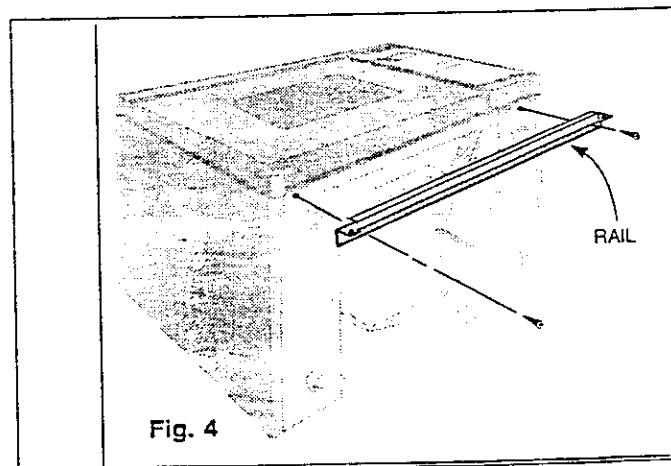
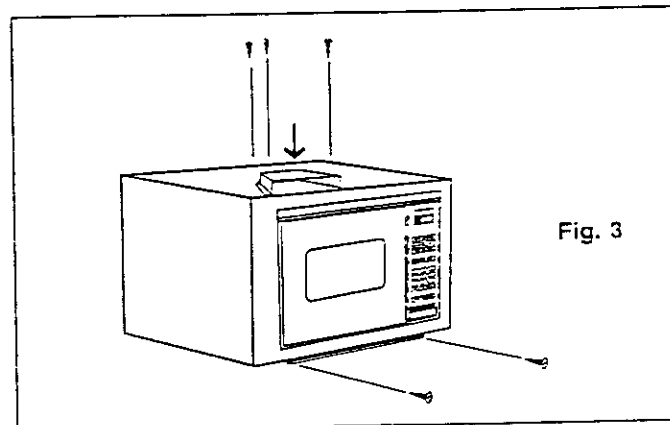
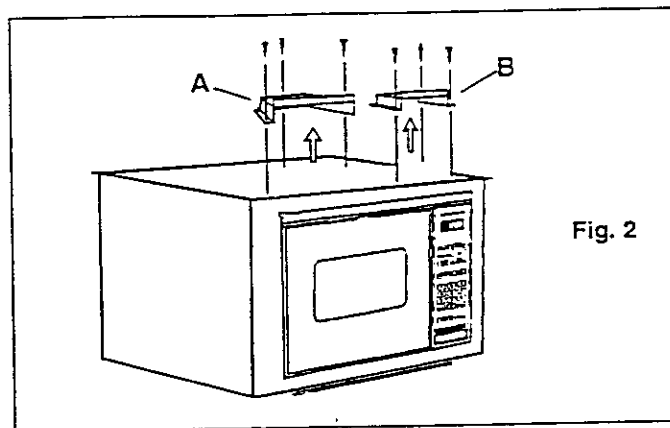
**B. Electrical Connection**  
*ELECTRICAL GROUND IS REQUIRED ON THIS APPLIANCE. DO NOT, UNDER ANY CIRCUMSTANCES, REMOVE THE POWER SUPPLY CORD GROUND PRONG.*

For your personal safety, this appliance must be properly grounded and polarized. This appliance is equipped with a power supply cord having a 3-prong grounding plug. To minimize possible shock hazard, the cord must be plugged into a mating 3-hole grounding type wall receptacle, grounded in accordance with the National Electrical Code, local codes and ordinances. If a mating wall receptacle is not available, it is the personal responsibility and obligation of the customer to have a properly grounded and polarized 3-hole wall receptacle installed by a qualified electrician. (See Figure 1.)



## Step 2. Bottom Rail

- A.** Remove top brackets and discard (retain screws - see Fig. 2).
- B.** Replace large bracket with bracket included in trim kit, attaching with screw removed from original (see Fig. 3).
- C.** Set microwave on its back so bottom is accessible. Remove left outboard screw and corresponding right hand screw from bottom front and attach bottom rail as shown in Figure 4 with same screws.



## Free Manuals Download Website

<http://myh66.com>

<http://usermanuals.us>

<http://www.somanuals.com>

<http://www.4manuals.cc>

<http://www.manual-lib.com>

<http://www.404manual.com>

<http://www.luxmanual.com>

<http://aubethermostatmanual.com>

Golf course search by state

<http://golfingnear.com>

Email search by domain

<http://emailbydomain.com>

Auto manuals search

<http://auto.somanuals.com>

TV manuals search

<http://tv.somanuals.com>