

JENN-AIR® BUILT-IN ELECTRIC SINGLE AND DOUBLE OVENS

FOURS ÉLECTRIQUES ENCASTRÉS SIMPLE ET DOUBLE JENN-AIR®

Use & Care Guide

For questions about features, operation/performance, parts, accessories, or service in the U.S.A., call:
1-800-JennAir (1-800-536-6247) or visit our website at www.jennair.com.
In Canada, call: **1-800-807-6777**, or visit our website at www.jennair.ca.

Guide d'utilisation et d'entretien

Au Canada, pour assistance, installation ou service, composez le **1-800-807-6777** ou visitez notre site web à www.jennair.ca.

Table of Contents/Table des matières 2

Models/Modèles JJW3430, JJW3830

JENN-AIR®

W10450588A

TABLE OF CONTENTS

OVEN SAFETY	3	Convect Broil	23
PARTS AND FEATURES	4	Convect Pastry	24
ELECTRONIC OVEN CONTROL	5	Convect Roast	24
Control Panel	5	Convect Slow Roast	25
Display	6	True Convect	26
Interactive Touch Display	6	Auto Convection Conversion	26
Menu Demonstration	7	Proof	27
Kitchen Timer	7	Rapid Proof	27
Setup Menu	7	Cook Timer	27
OVEN USE	10	Temperature Probe	28
Aluminum Foil	10	Delay Start	29
Positioning Racks and Bakeware	10	OVEN CARE	29
Roll-Out Rack	10	CustomClean™ Self-Cleaning with Adjustable Levels and Auto Lock	29
Meat Thermometer	11	General Cleaning	30
Oven Vent(s)	11	Oven Lights	31
Cooking Functions	11	Oven Door	31
My Creations	12	TROUBLESHOOTING	32
Culinary Center	12	ASSISTANCE OR SERVICE	33
Bake	18	In the U.S.A.	33
No Preheat, 1-Rack Cooking	18	In Canada	33
Broil	19	Accessories	33
Keep Warm™ Option	21	WARRANTY	34
Convect Bake	21		
Convect Bake Rapid Preheat	22		

TABLE DES MATIÈRES

SÉCURITÉ DU FOUR	35	Préchauffage rapide avec cuisson au four par convection	57
PIÈCES ET CARACTÉRISTIQUES	36	Cuisson au gril par convection	58
MODULE DE COMMANDE ÉLECTRONIQUE DU FOUR	37	Cuisson de pâtisseries par convection	58
Tableau de commande	37	Rôtissage par convection	59
Afficheur	38	Rôtissage lent par convection	60
Afficheur tactile interactif	38	Convection véritable	61
Démonstration de menu	39	Conversion automatique pour convection	62
Minuterie de cuisine	39	Levée	62
Menu de réglage	40	Levée rapide	63
UTILISATION DU FOUR	42	Minuterie de cuisson	63
Papier d'aluminium	42	Sonde thermométrique	64
Positionnement des grilles et des ustensiles de cuisson au four	42	Mise en marche différée	64
Grille déployante	43	ENTRETIEN DU FOUR	65
Thermomètre à viande	44	Autonettoyage CustomClean™ avec niveaux réglables et autoverrouillage	65
Évent(s) du four	44	Nettoyage général	66
Fonctions de cuisson	44	Lampes du four	67
Mes créations	45	Porte du four	67
Centre culinaire	45	DÉPANNAGE	68
Cuisson au four	52	ASSISTANCE OU SERVICE	69
Cuisson sans préchauffage sur 1 grille	53	Accessoires	69
Cuisson au gril	54	Au Canada	69
Option Keep Warm™ (maintien au chaud)	55	GARANTIE	70
Cuisson au four par convection	56		

OVEN SAFETY

Your safety and the safety of others are very important.

We have provided many important safety messages in this manual and on your appliance. Always read and obey all safety messages.



This is the safety alert symbol.

This symbol alerts you to potential hazards that can kill or hurt you and others.

All safety messages will follow the safety alert symbol and either the word "DANGER" or "WARNING."

These words mean:

⚠ DANGER

You can be killed or seriously injured if you don't immediately follow instructions.

⚠ WARNING

You can be killed or seriously injured if you don't follow instructions.

All safety messages will tell you what the potential hazard is, tell you how to reduce the chance of injury, and tell you what can happen if the instructions are not followed.

IMPORTANT SAFETY INSTRUCTIONS

WARNING: To reduce the risk of fire, electrical shock, injury to persons, or damage when using the oven, follow basic precautions, including the following:

- Proper Installation – Be sure the oven is properly installed and grounded by a qualified technician.
- Never Use the Oven for Warming or Heating the Room.
- Do Not Leave Children Alone – Children should not be left alone or unattended in area where oven is in use. They should never be allowed to sit or stand on any part of the oven.
- Wear Proper Apparel – Loose-fitting or hanging garments should never be worn while using the oven.
- User Servicing – Do not repair or replace any part of the oven unless specifically recommended in the manual. All other servicing should be referred to a qualified technician.
- Storage in Oven – Flammable materials should not be stored in an oven.
- Do Not Use Water on Grease Fires – Smother fire or flame or use dry chemical or foam-type extinguisher.
- Use Only Dry Potholders – Moist or damp potholders on hot surfaces may result in burns from steam. Do not let potholder touch hot heating elements. Do not use a towel or other bulky cloth.
- Use Care When Opening Door – Let hot air or steam escape before removing or replacing food.
- Do Not Heat Unopened Food Containers – Build-up of pressure may cause container to burst and result in injury.

- Keep Oven Vent Ducts Unobstructed.
- Placement of Oven Racks – Always place oven racks in desired location while oven is cool. If rack must be moved while oven is hot, do not let potholder contact hot heating element in oven.
- DO NOT TOUCH HEATING ELEMENTS OR INTERIOR SURFACES OF OVEN – Heating elements may be hot even though they are dark in color. Interior surfaces of an oven become hot enough to cause burns. During and after use, do not touch, or let clothing or other flammable materials contact heating elements or interior surfaces of oven until they have had sufficient time to cool. Other surfaces of the oven may become hot enough to cause burns – among these surfaces are oven vent openings and surfaces near these openings, oven doors, and windows of oven doors.

For self-cleaning ovens:

- Do Not Clean Gasket – The gasket is essential for a good seal. Care should be taken not to rub, damage, or move the gasket.
- Do Not Use Oven Cleaners – No commercial oven cleaner or oven liner protective coating of any kind should be used in or around any part of the oven.
- Clean Only Parts Listed in Manual.
- Before Self-Cleaning the Oven – Remove broiler pan and other utensils.

SAVE THESE INSTRUCTIONS

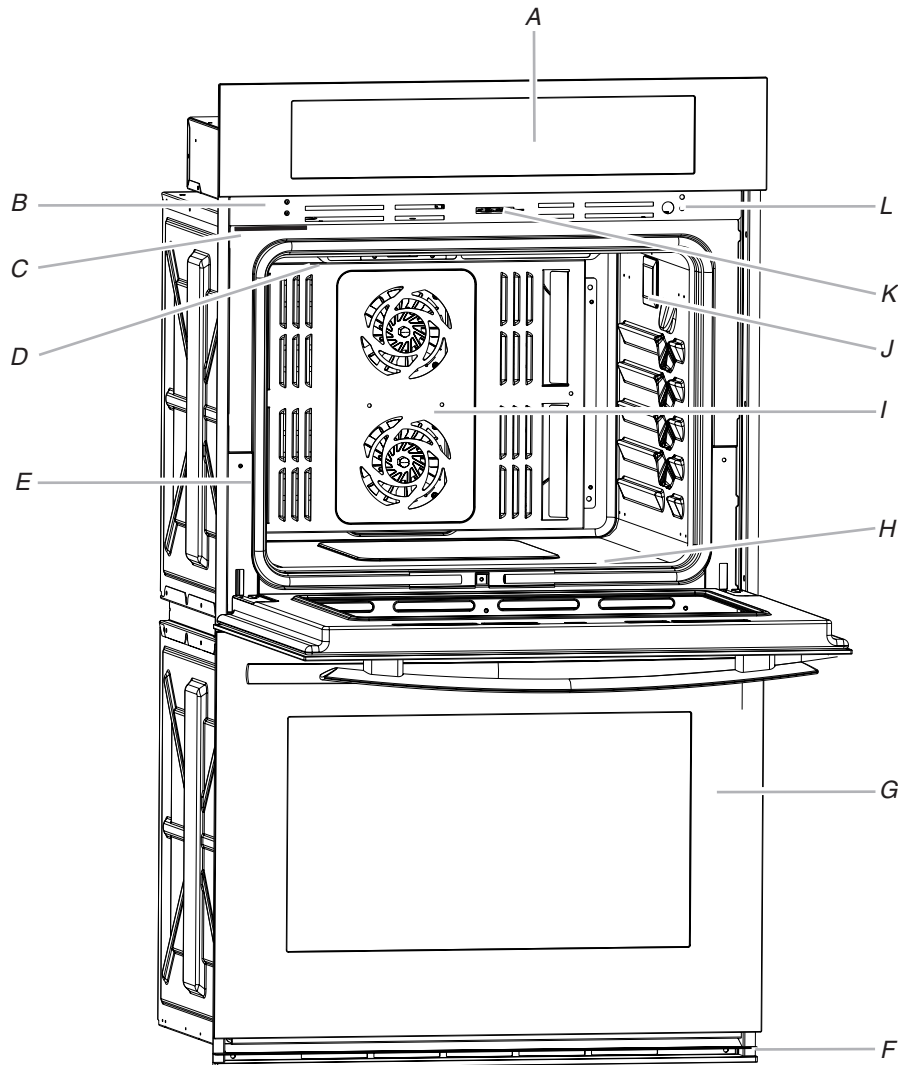
State of California Proposition 65 Warnings:

WARNING: This product contains one or more chemicals known to the State of California to cause cancer.

WARNING: This product contains one or more chemicals known to the State of California to cause birth defects or other reproductive harm.

PARTS AND FEATURES

This manual covers different models. The oven you have purchased may have some or all of the items listed. The locations and appearances of the features shown here may not match those of your model.



- A. Electronic oven control
- B. Oven vent
- C. Model and serial number plate (on center vent under control panel)
- D. Broil elements
- E. Gasket
- F. Vent bottom

- G. Lower oven (on double oven models)
- H. Hidden bake element
- I. Twin convection elements and fans
- J. Oven lights (left side, not shown)
- K. Oven door lock latch
- L. Oven light switch

Parts and Features not shown

- Temperature probe jack
- Temperature probe
- Racks

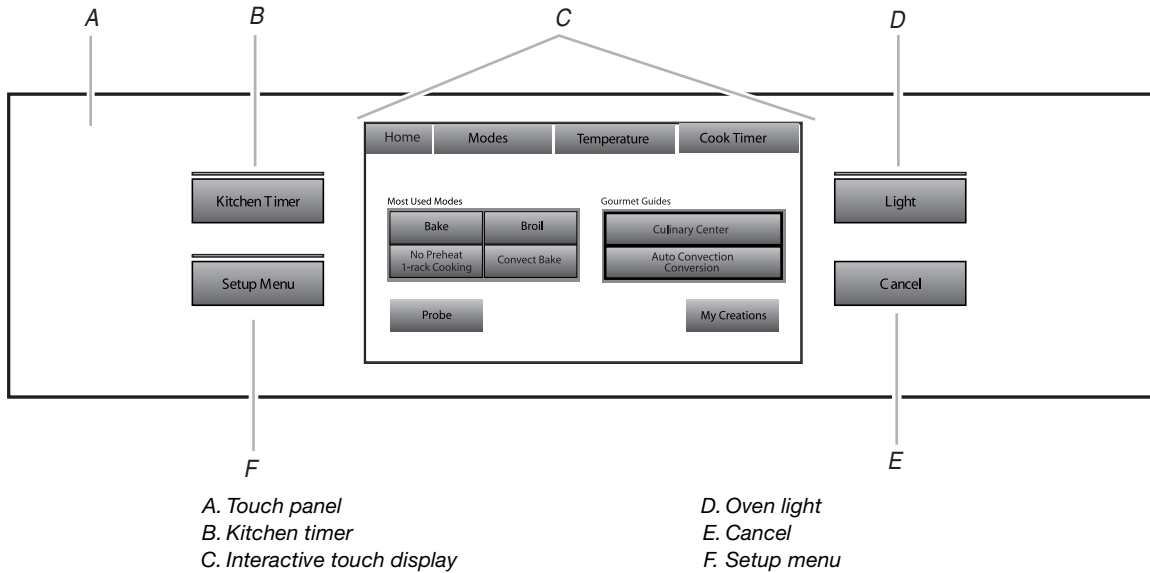
ELECTRONIC OVEN CONTROL

This manual covers different models. The oven you have purchased may have some or all of the items listed. The locations and appearances of the items shown here may not match those of your model.

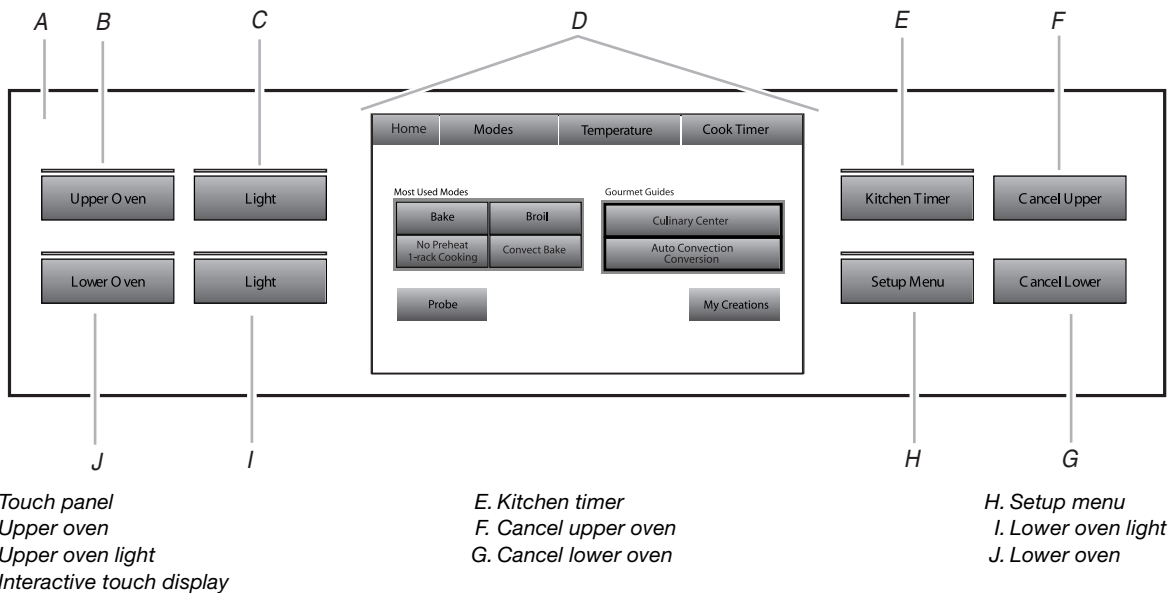
The oven's controls are accessed through its control panel and interactive touch display.

NOTE: Due to the sensitivity of the control panel, we have provided special instructions for cleaning the panel as well as the touch control panel. See "General Cleaning" section for cleaning instructions.

Single Oven Control Panel



Double Oven Control Panel



Control Panel

The control panel houses the control menu and function controls. The control pads are very sensitive, and require only a light touch to activate.

For more information about the individual controls, see their respective sections in this manual.

Welcome Guide

This appears on the display the first time the oven is powered up. The Welcome Guide allows you to set up your new oven.

1. Select the language by touching English or Français.
2. Select temperature degree units by touching Fahrenheit or Celsius.
3. Select clock units by touching AM/PM or 24-HOUR (military).
4. Select YES or NO for Daylight Savings - Time Observed.
5. Touch NEXT.
6. Enter current clock time using the on-screen number keyboard.
7. Touch AM or PM and ANALOG or DIGITAL for clock style.

8. Touch NEXT.
9. Select today's date by using the on-screen keyboard and use the buttons "<" and ">" to enter the month and year.
10. Select NEXT.
11. Use the page up and page down arrows to select a screen appearance to match your oven.
12. Toggle between Orange and Blue to define your accent color.
13. Toggle between ON or OFF as options to show animation while cooking.
14. Select DONE. This will save your adjustments.
15. See "Setup Menu" section for more detailed information.

Display

When the oven (s) are in use (active mode), the display shows the clock, mode, oven temperature and timer, if set. If the timer is not set, you can set it from this screen.

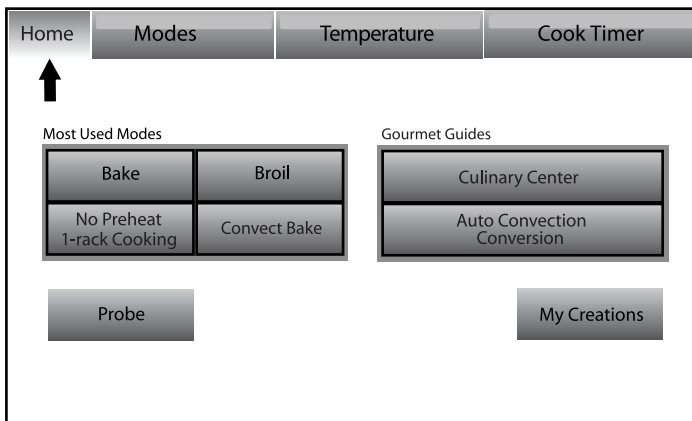
After approximately 2 minutes of inactivity, the display will go into standby (sleep) mode and the backlight of the display will dim. When the oven is in operation, the display will remain active.

During programming, the display shows menus and the appropriate selections for the respective cooking function.

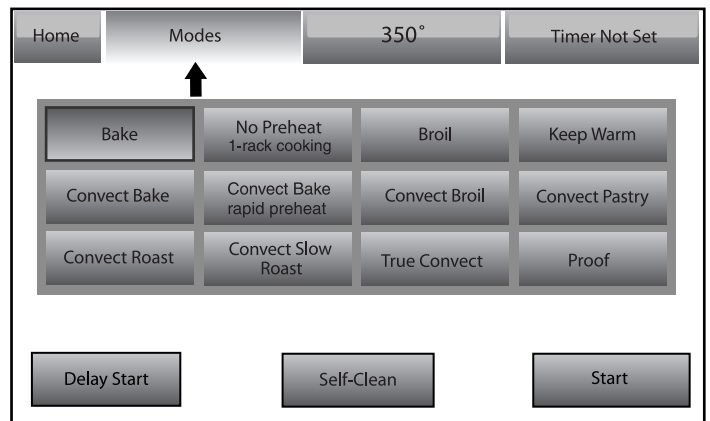
Interactive Touch Display

Touch the Interactive Touch Display (Clock display) to access the Home Menu screen. From the Home and Modes Menu, all automatic cooking programs can be activated; all manual cooking can be programmed; settings can be adjusted; and instructions, preparation and tips can be accessed.

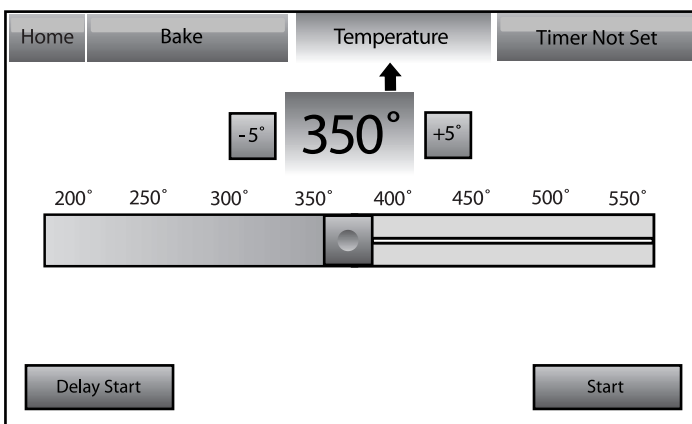
Home Menu Screen



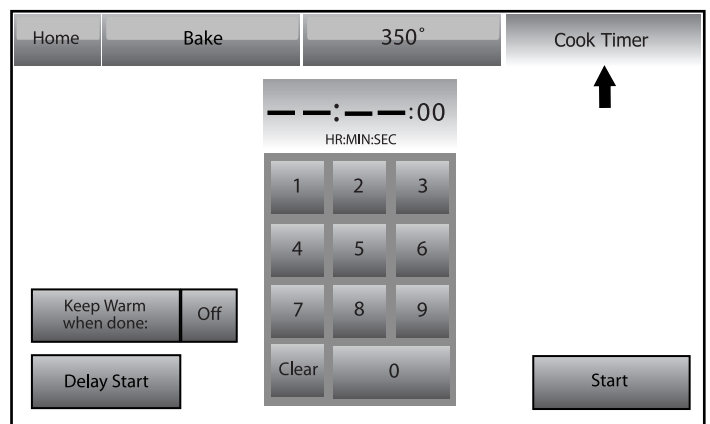
Modes Menu Screen



Temperature Menu Screen



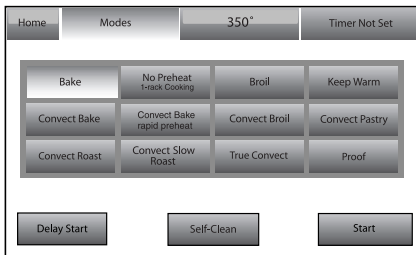
Cook Time Menu Screen



Menu Demonstration

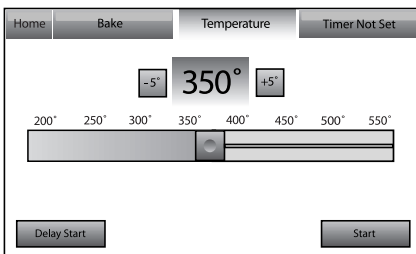
The following demonstrates how to program a Bake cycle, starting at the Modes menu.

1. Touch the MODES tab to move to the Modes menu.
2. From the Modes menu, touch BAKE.



3. Touch the Temperature tab to move to the Temperature screen.

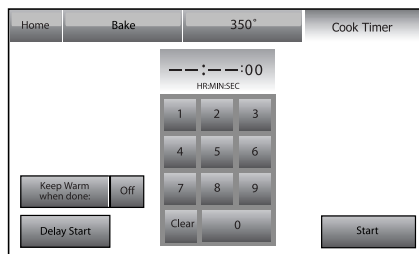
Use the slider to enter a desired cooking temperature or touch the -5°F (-1°C) or $+5^{\circ}\text{F}$ ($+1^{\circ}\text{C}$) buttons. The temperature must be between 170°F (77°C) and 550°F (288°C).



4. Touch START to begin preheating the oven.

OR

5. If a programmed cook time is desired, touch TIMER NOT SET to enter the Cook Time screen. Enter a cooking length using the on-screen number keyboard to set a timer to alert when cooking ends. The time length may not exceed 12:00:00. The oven will turn off when the cook time expires.



6. (Optional) To set a delayed start, touch DELAY START from the Cook Time screen and set desired time. A second way to set a delay start is to touch DELAY START from the Temperature tab. See "Delay Start" section for additional information.
7. (Optional) To keep food warm after a programmed cook timer ends, turn Keep warm ON from the Cook Time screen. See the "Keep Warm™ Option" section for additional information.
8. Press START to begin preheating the oven.
9. Place food in the oven when preheat signal sounds. The screen will say "Insert food and start timer" if timer is set. If timer is not set, "Insert food and set timer if desired" will be displayed. If a delayed start is programmed, place food in oven when setting the mode.

WARNING

Food Poisoning Hazard

Do not let food sit in oven more than one hour before or after cooking.

Doing so can result in food poisoning or sickness.

NOTE: Do not use Delay Start for items that require a preheated oven, such as cakes, cookies, and breads. If food is in the oven during preheat, it may become overcooked.

10. To change a mode, temperature or cook time while the oven is active, touch the appropriate tab, make new selection and select OK.
11. Touch CANCEL (CANCEL UPPER or CANCEL LOWER on double oven models) to turn off the oven.
12. If the cook timer was set, the oven will signal when timer expires. If Keep Warm was not previously set, it can be set when cook timer expires.

Kitchen Timer

The Kitchen Timer is an independent timer not associated with the Cook Timers.

1. Touch the KITCHEN TIMER button anytime needed.
2. Enter the desired time (- - : - - : - -) using the on-screen number keyboard.
3. Touch CLEAR to clear timer back to (00:00:00).
4. Touch START TIMER to initiate the function.
While the Kitchen Timer is running, the timer is minimized to the bar at the right-hand side of the screen.
5. To adjust the Kitchen Timer while running, touch ADJUST and choose "Cancel" or use the on-screen number keyboard to re-enter a new time.
6. If "Cancel" is touched, the timer is canceled and the panel is hidden.
7. When the Kitchen Timer is complete, a beep will sound.
8. If CLOSED is touched, the timer is minimized to the right side of the screen.
9. When time expires, it is possible to add extra time by touching the Add More Time button. Use the on-screen number keyboard to enter additional time.
10. To remove the panel, touch OK.

Setup Menu

This oven provides ability to control several of the default settings and access information through the on-screen display. These include: Button/Screen Lock, Automatically Lock After Each Use, Clock, Date, Sound Volume, Screen Theme, Screen Brightness, Language, Temperature Units, Self-Clean, Sabbath Mode, Temperature Calibration, Touch Screen Calibration, Reset All Settings to Factory Default, and Service Information.

NOTE: If oven is in use, the Setup Menu is disabled.

To access the Setup menu:

1. Touch SETUP MENU.
2. Use the page up and page down arrows on the right-hand of the screen to view and access settings.

Button/Screen Lock

The Button/Screen Lock function allows all the buttons and screen to be locked. This setting is automatically disabled if the Kitchen Timer is running or the oven is in use.

Touch UNLOCKED at right-hand side of screen beside "Button/Screen Lock" to lock. Slide bar up on main screen to unlock button/screen.

Automatically Lock After Each Use

Touch ON/OFF at the right-hand side of screen, beside the "Automatically Lock After Each Use" option in the Setup Menu to activate or deactivate this function.

Clock

1. From the Setup Menu, touch the button beside Clock.
2. Enter the time using the on-screen number keyboard. A valid time must be entered in order to save the settings.
3. If Clear is pressed, the clock clears to --:--
4. Choose AM, PM, or 24-Hour.
5. Touch ON/OFF to toggle between Auto Daylight Savings Time. When "On," the clock will automatically be adjusted when daylight saving time occurs.
6. Choose ANALOG or DIGITAL for clock style.
7. Touch SAVE. This will return you to Clock Screen.

Date

1. From the Setup Menu, touch the button at right-hand side of screen beside Date.
2. Enter the day using the on-screen keyboard.
3. Choose the month using the "<" or ">" buttons.
4. Choose the year using the "<" or ">" buttons.
5. Touch SAVE. This will return you to the Clock Screen.

Sound Volume

1. From the Setup Menu, touch the button at right-hand side of screen beside Sound Volume.
2. Adjust the timer, button press, or alert sounds; use the slider bar to enter desired sound levels.
3. Touch ON/OFF to toggle between settings for start-up and shut-down sounds. When "On," the oven will make a sound when it transitions in and out of idle mode. When "Off," no sounds will be made.
4. If the Cancel button is touched, the sounds settings will go to the previous set level.
5. Touch SAVE. This will return you to the Clock Screen.

Screen Theme

1. From the Setup Menu, touch the button at the right-hand side of screen beside Screen Theme.
2. Use the page up and down arrows to select a screen appearance to match your oven.
3. Select Orange or Blue to define your accent color, when available.
4. Touch SAVE. This will return you to the Clock screen. The following message will show: "You have selected a new theme. The oven will reset momentarily. Please wait." It will take 1 minute to restart the oven with the new settings.

Screen Brightness

1. From the Setup Menu, touch the button at the right-hand side of the screen beside Screen Brightness.
2. Use the slider bar to adjust the screen brightness.
3. Choose "Dim The Screen" or "Turn-Off The Screen" for use when the oven has been idle for 5 minutes.
4. If the Cancel button is touched, the screen brightness will go to the previous set level and return you to the clock display screen.
5. Touch SAVE. This will return you to the Clock Screen.

Language

1. From the Setup Menu, touch the button at the right-hand side of screen beside Language.
2. From the Language Menu, select your language: English or Français.
3. If Cancel button is touched, the language will go back to the previous setting.
4. Touch SAVE. This will return you to the Clock Screen.

Temperature Units

1. From the Setup Menu, touch the button at the right-hand side of screen beside Temperature Units.
2. Select a temperature unit: Fahrenheit or Celsius. Toggle between °F/°C.
3. You will remain on the Setup Menu.

Self-Clean

This setting is disabled while oven is in use. See the "CustomClean™ Self-Cleaning with Adjustable Levels and Auto Lock" section.


Sabbath Mode

The Sabbath Mode sets the oven to remain on in a bake setting until turned off. A timed Sabbath Mode can also be set to keep the oven on for only part of the Sabbath. When the Sabbath Mode is set, only the number and start keys will function. No tones will sound, and the display will not show messages or temperatures changes.

When the oven door is opened or closed, the oven light will not turn on or off and the heating elements will not turn on or off immediately.

If a power failure occurs when the Sabbath Mode is set, the oven(s) will remain in Sabbath Mode but will no longer be actively cooking. When power returns, the display will initially show the Jenn-Air start-up screen. After a short delay, the display will return to the Sabbath Mode enable screen. Touch Cook Settings to return to the Sabbath Mode set up menu or touch Cancel to return to the normal operating mode (non-Sabbath Mode, not cooking).

! WARNING



Burn Hazard

Use an oven mitt to remove temperature probe.

Do not touch broil element.

Failure to follow these instructions can result in burns.

NOTE: If you touch Sabbath Mode while the temperature probe is set, a message will appear saying “Probe not inserted.” Remove the probe and touch NEXT to enter the Sabbath Mode. Touch CANCEL to return to the Bake mode.

To Use Sabbath Mode:

The Sabbath Mode must be enabled each time it is used.

1. On the control panel, touch Setup Menu.
2. From the Setup Menu, use the page up and page down arrows until Sabbath Mode appears and touch the “Next” button on right-hand side of screen.
3. From the Sabbath Mode Menu, read the on-screen instructions and touch Off to turn Sabbath Mode On.

NOTE: Sabbath Mode disables the 12-hour shutoff. All lights and displays are disabled so that no visible activity takes place when the oven door is opened.
4. On double ovens, select the cavity to set up by pressing the quickset pad next to Upper or Lower.
5. Adjust temperature and cook time by touching the Cook Settings button.
6. Select oven temperature. Use the slider to enter a desired temperature or touch the -5°F (-1°C) or +5°F (+1°C) buttons to decrease or increase the temperature. The temperature must be between 170°F (77°C) and 550°F (288°C).
7. Press NEXT.
8. If desired, set the Cook Timer by using the on-screen number keyboard. The time length may not exceed 12:00:00. When the timer ends, the oven cavity will stop heating.
9. Press NEXT.
10. On double ovens, repeat steps 3-9 to set the second cavity, if desired.

! WARNING

Food Poisoning Hazard

Do not let food sit in oven more than one hour before or after cooking.

Doing so can result in food poisoning or sickness.

11. (Optional) To set a Delayed Start, touch DELAY START and set the desired time. See the “Delay Start” section for more information.

12. Press START to begin heating the oven.
13. Press CANCEL OVEN (CANCEL UPPER or CANCEL LOWER on double oven models) to turn off the oven.

To Disable Sabbath Mode:

Sabbath Mode will automatically be disabled when a cook time ends, or can be disabled by pressing Cancel. “Sabbath Mode: OFF” will appear on screen. To program a new cycle, follow steps 2 to 11 in the “To Use Sabbath Mode” section. Touch OK to return to the Clock screen.

To Change Temperature:

Touch +25° or -25° once for each 25-degree change you wish to make. For example, if the oven is currently set to 350 degrees, press the +25° button 3 times to change the temperature to 425 degrees.

NOTE: On double ovens, if both ovens are operating in Sabbath Mode, each oven temperature can be changed independently of the other. Press the +25° or -25° for the respective oven to change the temperature. This display will continue to show the original temperature and will not change.

Temperature Calibration

1. From the Setup Menu, touch the button at the right-hand side of screen beside Temperature Calibration.
 2. On double oven models, select which oven to calibrate: upper or lower.
 3. Touch NEXT.
 4. Select the temperature offset. Press -1° button if oven seems too hot or +1° button if oven seems too cold. The oven can be adjusted +/- 35°F.
 5. Touch SAVE and the adjustment has been made
- OR**
6. Touch CALIBRATION TOOL to automatically set the precise offset to achieve maximum oven performance.
 7. The display will say: “To use the Calibration Tool function, place an oven thermometer in the middle of the oven.”
 8. Touch NEXT. (After touching “Next,” the oven will heat to a standard temperature.)
 9. Allow the oven to heat. This process may take several minutes.
 10. When the “Oven is ready” message appears, open the oven door and read the temperature on the oven thermometer.
 11. Enter the exact temperature. Use the buttons -1° or +1° to decrease or increase the offset value by 1 degree.
 12. Touch NEXT.
 13. The temperature offset will be calculated.
 14. If CANCEL is touched the Temperature Calibration will be canceled.
 15. Touch SAVE. This will return you to Setup Menu.

Touchscreen Calibration

IMPORTANT: If the buttons on the screen are difficult to touch accurately, you may need to calibrate the touchscreen. This process is recommended when the oven is installed under a counter.

1. From the Setup Menu, touch the button at the right-hand side of screen beside Touchscreen Calibration.
2. You will be asked to touch and hold 3 targets to calibrate.
3. Touch NEXT.
4. Touch and hold the center of the targets until the display indicates to release them.

5. Test calibration by moving the circle around the screen. Ensure you can reach all the corners.
6. Touch TRY AGAIN to run calibration again.
7. If CANCEL is touched, the Touchscreen Calibration will be canceled.
8. Touch SAVE. This will return you to the Clock screen.

Reset All Settings To Factory Defaults

1. From the Setup Menu, touch the button at the right-hand side of screen beside Reset All Settings to Factory Default.
2. Touch RESET or CANCEL.

3. If Reset is touched, the following sets will be lost: most used modes/foods, My Creations, Date/Time, and Language. The Welcome Guide will appear to help you reset these settings.

Service Information

For more information, see the "Assistance or Service" section.

1. From the Setup menu, touch the button at right-hand side of screen beside Service Information.
2. Choose ON or OFF for Demo Mode. The default option is off when connected to 240V and on when connected to 120V.
3. If CANCEL is touched, the Service Information will go back to the default setting.
4. Touch SAVE. This will return you to the Clock screen.

OVEN USE

Odors and smoke are normal when the oven is used the first few times, or when it is heavily soiled.

During oven use, the heating elements will not remain on, but will cycle on and off throughout oven operation.

IMPORTANT: The health of some birds is extremely sensitive to the fumes given off. Exposure to the fumes may result in death to certain birds. Always move birds to another closed and well-ventilated room.

Aluminum Foil

IMPORTANT: To avoid permanent damage to the oven bottom finish, do not line the oven bottom with any type of foil or liner.

- For best cooking results, do not cover entire rack with foil because air must be able to move freely.
- To catch spills, place foil on rack below dish. Make sure foil is at least ½" (1.3 cm) larger than the dish and that it is turned up at the edges.

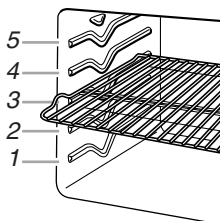
Positioning Racks and Bakeware

IMPORTANT: To avoid permanent damage to the porcelain finish, do not place food or bakeware directly on the oven door or bottom.

RACKS

- Position racks before turning on the oven.
- Do not position racks with bakeware on them.
- Make sure racks are level.

Depending on the oven model, you could have flat, offset and/or roll-out racks. If "f" is after the rack position, the flat rack should be used. An "o" after the rack position indicates the offset rack should be used. An "r" indicates the roll-out rack should be used. For example: 1o, 3f, 5r indicates the use of the offset rack in rack position 1, the flat rack in position 3, and the roll-out rack in position 5. Refer to the section for the mode you are using for specific rack recommendations.



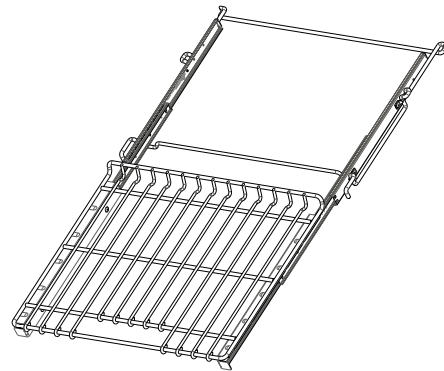
BAKEWARE

To cook food evenly, hot air must be able to circulate. Allow 2" (5.0 cm) of space around bakeware and oven walls.

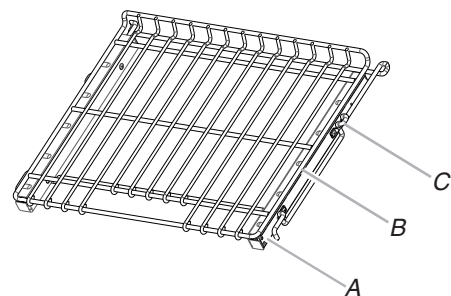
Roll-Out Rack

The roll-out rack allows easy access to position and remove food in the oven. The roll-out rack will fit in all positions.

Open Position



Closed and Engaged Position

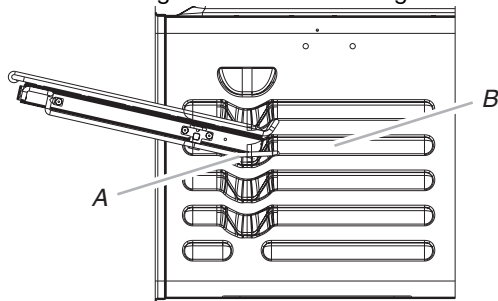


- A. Slide rails
- B. Sliding shelf
- C. Center brace

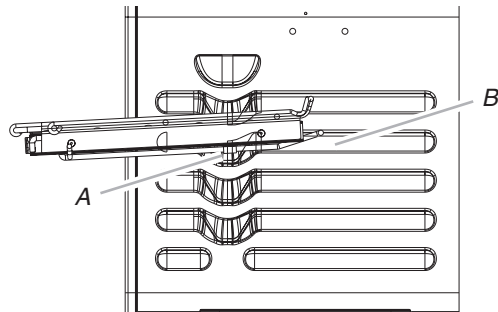
To Insert Roll-Out Rack

1. Angle the rack assembly up and insert the back edge into the "V" cutout in the rack guides of the oven cavity.
2. Keep the rack lifted at an angle and push in until the back edge of the sliding rails (A) bypass the lower "V" cutout.
3. Angle the rack downward and continue to gently slide the assembly in until the center brace (C) bypasses the "V" cutout.
4. Raise rack assembly to flat position and gently push to the back of the oven until the back edge of the sliding rail drops.

- Pull the rack assembly slightly forward until the front edge drops and the sliding rails are on the rack guide.



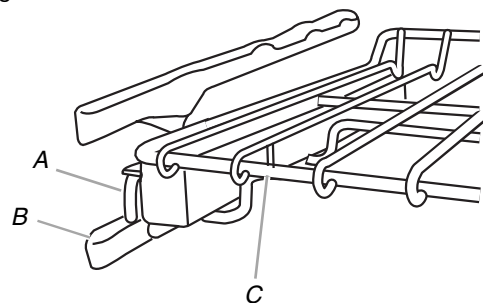
A. "V" cutout
B. Rack guide



A. "V" cutout
B. Rack guide

To Remove Roll-out Rack

- Push the sliding shelf in completely so that it is closed and engaged with the slide rails.



A. Sliding shelf
B. Slide rails
C. Rack

- Using 2 hands, lift up on the front edge of the rack assembly. Slowly push the rack assembly to the back wall of the oven so the front edge of the sliding shelf sits on the rack guides on the side of the oven cavity. The front edge of the rack should be higher than the back edge.
- Using 2 hands, lift up the back of the rack assembly so that the front and back are level on the rack guides.
- Pull the rack assembly out.

To avoid damage to the sliding shelves, do not place more than 25 lbs (11.4 kg) on the rack.

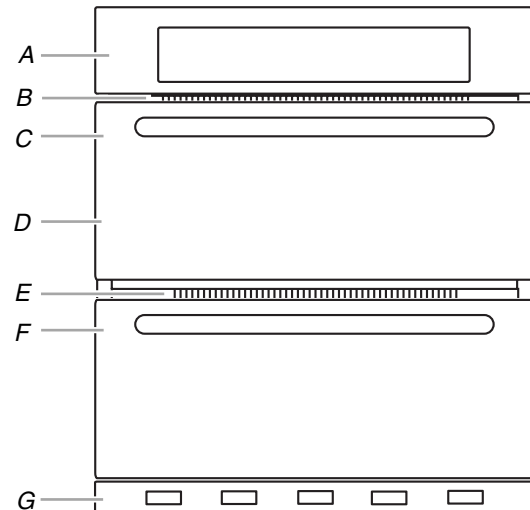
Do not clean the roll-out rack in a dishwasher. It may remove the rack's lubricant and affect its ability to slide.

See the "General Cleaning" section for more information.

Meat Thermometer

On models without a temperature probe, use a meat thermometer to determine whether meat, poultry and fish are cooked to the desired degree of doneness. The internal temperature, not appearance, should be used to determine doneness. A meat thermometer is not supplied with this appliance. Follow manufacturer's directions for using a meat thermometer.

Oven Vent(s)



Single and Double Oven

- A. Control panel
B. Oven vent
C. Single oven or upper double oven

Double Oven

- D. Upper oven
E. Oven vent
F. Lower oven
G. Bottom vent

The oven vent(s) should not be blocked or covered since they allow the inlet of fresh air into the cooling system. Also, the bottom vent should not be blocked or covered since it allows the inlet of fresh air into the cooling system and the outlet of hot air from the cooling system. Blocking or covering vents will cause poor air circulation, affecting cooking, cleaning and cooling results.

Cooking Functions

The Home Tab allows for easy access to the Most Used Modes, Gourmet Guides, Probe, and My Creations.

- Touch the MODES tab to move to the Modes menu.
- From the Modes menu, select one of the following options: Bake, No Preheat 1-rack Cooking, Broil, Keep Warm, Convection Bake, Convection Bake Rapid Preheat, Convection Broil, Convection Pastry, Convection Roast, Convection Slow Roast, True Convection, and Proof.
- After touching the desired mode, you will move to the temperature screen or touch the Temperature tab to move to the Temperature screen.
- The default temperature and its range is shown in the following table. To change the temperature, move the slider to enter a desired cooking temperature or touch the -5°F (-1°C) or $+5^{\circ}\text{F}$ ($+1^{\circ}\text{C}$) buttons.

Mode	Default Temperature	Range
Bake	350°F (177°C)	170-550°F (77-288°C)
No Preheat 1-rack Cooking	350°F (177°C)	170-550°F (77-288°C)
Broil	550°F (288°C)	450-550°F (232-238°C)
K. Warm	170°F (77°C)	150-200°F (66-93°C)
Cvt. Bake	325°F (163°C)	170-550°F (77-288°C)
Cvt. Bake Rapid Preheat	325°F (163°C)	170-550°F (77-288°C)
Cvt. Roast	325°F (163°C)	170-550°F (77-288°C)
Cvt. Broil	550°F (288°C)	450-550°F (232-238°C)
Cvt. Slow Roast 4h	275°F (135°C)	250-300°F (120-150°C)
Cvt. Slow Roast 8h	225°F (107°C)	200-250°F (93-120°C)
Cvt. Slow Roast 12h	185°F (85°C)	170-225°F (77-107°C)
Cvt. Pastry	325°F (163°C)	170-550°F (77-288°C)
True Convection	325°F (163°C)	170-550°F (77-288°C)
Proof	100°F (38°C)	

- If a programmed cook time is desired, touch **TIMER NOT SET** to enter the Cook Time screen. Enter a cooking length using the on-screen number keyboard to set a timer to alert when cooking ends. The time length may not exceed 12:00:00. The oven will turn off when the cook time expires.
- (Optional) To keep food warm after a programmed cook time ends, turn **Keep Warm ON** from the Cook Time screen. See the "Keep Warm™ Option" section for additional information.
- (Optional) To set a Delayed Start with a cook time, touch the **Timer Not Set/Cook Time** screen and enter desired cook time. Select **Delay Start**, set desired start time and touch **SET DELAY**. To set a Delay Start only, touch **DELAY START** from the Temperature Tab, set desired time and touch **SET DELAY**. See "Delay Start" section for additional information.
- Press **START** to begin cooking or activate Delay Start.
- Press **CANCEL OVEN (CANCEL UPPER or CANCEL LOWER on double models)** to turn off the oven.
- To change a mode, temperature or cook time while the oven is active, touch the appropriate tab, make new selection and select **OK**.

My Creations

My Creations allows the customization of cooking processes. When My Creations is selected from the main menu a list of existing creations is presented along with the ability to create more.

- From the Home tab, touch **MY CREATIONS**.
If nothing has yet been added to My Creations, a welcome screen will appear, explaining the feature and providing the option to create a new entry. It should read: "Save frequent recipe settings for easy access in the future! You may also link multiple modes together. For example, create a favorite lasagna recipe which bakes for 40 minutes, then broils 5 minutes at the end to brown the cheese."
- Touch **CREATE NEW**.

- Select the desired cooking mode: Bake, No Preheat 1-rack Cooking, Broil, Keep Warm, Convection Bake, Convection Bake Rapid Preheat, Convection Broil, Convection Pastry, Convection Roast, Convection Slow Roast, True Convection, and Proof.
- Touch **NEXT**.
- Select the desired cooking temperature. Use the slider to enter a desired cooking temperature or touch the 5°F (-1°C) or +5°F (+1°C) buttons, then touch **NEXT**.
- Select how to monitor cooking: Timer (alerts you when a cook timer is complete), Probe (alerts you when a target probe temperature is reached), or None (no alerts). Probe can be used for only Bake, Convection Bake and Convection Roast.
- If Timer is chosen, enter the cook timer length using the on-screen number keyboard and touch **NEXT**.

WARNING



Burn Hazard

Use an oven mitt to remove temperature probe.

Do not touch broil element.

Failure to follow these instructions can result in burns.

- On Bake, Convection Bake or Convection Roast, the probe is available. If the probe is desired, select **Probe** and the target probe internal temperature. Use the -5°F (-1°C) or +5°F (+1°C) buttons to decrease or increase the set temperature, then touch **NEXT**.
- Touch **ADD STAGE** to enter new stage information.
- Review your settings. Touch **EDIT** to re-enter the settings or touch **DELETE** to immediately delete the stage.
- Touch **SAVE** or **SAVE & START**.
When saving, you can enter a name for the food using an on-screen keyboard. Touch the Shift Lock button to make all letters as capitals (or to turn off the feature). Likewise, any letter typed with Shift Lock button on will be capital. Touch 123... button to change the on-screen keyboard to show numbers. Touch **DELETE** to delete the last character in the text box.
- Touch **OK**.
- When coming from Culinary Center, repeat steps 10 to 12.

NOTE: If you would like to edit after saving the settings, enter My Creations from the Home Tab. Select the setting name you would like to edit and touch **EDIT** at the bottom of screen. Select **Edit** for the steps you want to edit then enter new settings.

Culinary Center


The Culinary Center is full of information to assist in baking and cooking a wide variety of foods. As you program this mode, you will make selections such as type of meat, vegetable, preferred doneness level, browning level, and pan type depending on the food. There are helpful tips and hints as you progress through the menu. The Culinary Center will make adjustments based on the doneness and pan you select. All of the selections cycle the appropriate elements and fans for the programmed food.

- From the Home tab, touch **CULINARY CENTER**.

2. The food category buttons on the left of screen show the available categories. Selecting these buttons will filter the list of foods to show only the ones from the category selected. At start-up, the choices are Beef, Lamb, Pork, Poultry, Seafood, Bread, Casserole, Dessert, Italian Favorites and Vegetables.
3. After selecting the category, select the specified food on right-hand side of screen. Use the page up and page down arrows to view all choices in the category. At the bottom of the screen, food specific tips or descriptions will appear.
4. Touch NEXT.
5. Select desired doneness level from available options. Food tips will appear at the bottom of the screen.
6. Touch NEXT.
7. Select the type of cookware and then touch Next. The recommended pan is highlighted.
8. For items using the probe, follow steps 9-12. For foods that do not use a probe, follow steps 14-17.

9. Insert long end of the probe so the tip is in the thickest part of the food, but not touching bone or resting in fat. See additional information on screen.
10. Touch NEXT.
11. Place food in oven on suggested rack. Information specific to the selections you made will appear on the screen.
12. Connect the probe to the oven. See "Temperature Probe" section for additional information.
NOTE: When using the temperature probe, remove any racks above the food that are not in use.
13. Touch START to use these settings.
14. For foods that do not use a probe, enter a cooking temperature recommended from your recipe or package. Use the slider to enter desired cooking temperature or touch -5°F (-1°C) or +5°F (+1°C), then touch NEXT.
15. Enter the cooking time(s). Using the on-screen number keyboard, enter the recommended time and touch NEXT or enter the shortest time then select longer time.
16. When the shortest/longest time is entered, the cook time will be calculated.
17. Touch NEXT.
18. Review the settings that will be used as well as the additional instructions, tips or descriptions. The adjusted cook time is calculated from the shortest and longest time you provide. Touch START to use these settings.
19. The oven will begin preheating.
20. Place food in the oven when preheating signal sounds. The screen will say "Insert food and start timer, if desired."
21. When the Cook Timer expires, the oven turns off. However, you can repeat the batch or Add More Time. If you repeat the batch, the Cook Time is automatically set to the previously set time.

⚠ WARNING



Burn Hazard

Use an oven mitt to remove temperature probe.

Do not touch broil element.

Failure to follow these instructions can result in burns.

Culinary Center Chart

Information may vary based on your oven model.

Category	Food	Doneness Options (Bold choice indicates the recommended selections and default)	Pan Options (Bold choice indicates recommended selection and default)	Rack
Beef	Beef tenderloin	Rare, medium rare, medium , medium well, well	Broiling pan , roasting pan, disposable roasting pan, rectangular shiny baking dish, rectangular dark baking dish, rectangular glass baking dish, rectangular ceramic baking dish	2r
	London broil	Rare, medium rare , medium	Broiling pan	4r
	Meat loaf	Probed or timed	Shiny loaf pan , dark loaf pan, glass loaf pan, silicone loaf pan, ceramic loaf pan, square shiny baking dish, square dark baking dish, square glass baking dish, square silicone baking dish, square ceramic baking dish, rectangular shiny baking dish, rectangular dark baking sheet, rectangular glass baking dish, rectangular ceramic baking dish, broiling pan	2r
	Prime rib	Rare, medium rare, medium , medium well, well	Broiling pan , roasting pan, disposable roasting pan, rectangular shiny baking dish, rectangular dark baking dish, rectangular glass baking dish, rectangular ceramic baking dish	2r

Category	Food	Doneness Options (Bold choice indicates the recommended selections and default)	Pan Options (Bold choice indicates recommended selection and default)	Rack
	Round roast	Rare, medium rare, medium , medium well, well	Broiling pan , roasting pan, disposable roasting pan, rectangular shiny baking dish, rectangular dark baking dish, rectangular glass baking dish, rectangular ceramic baking dish	2r
	Rump roast	Rare, medium rare, medium , medium well, well	Broiling pan , roasting pan, disposable roasting pan, rectangular shiny baking dish, rectangular dark baking dish, rectangular glass baking dish, rectangular ceramic baking dish	2r
	Slow cook brisket	4-hour slow cook, 8-hour slow cook or 12-hour slow cook	Roasting pan , disposable roasting pan, rectangular shiny baking dish, rectangular dark baking dish, rectangular glass baking dish, rectangular ceramic baking dish	2f
	Slow cook pot roast	4-hour slow cook, 8-hour slow cook or 12-hour slow cook	Roasting pan , disposable roasting pan, rectangular shiny baking dish, rectangular dark baking dish, rectangular glass baking dish, rectangular ceramic baking dish	2f
	Veal loin roast	Rare, medium rare, medium , medium well, well	Broiling pan , roasting pan, disposable roasting pan, rectangular shiny baking dish, rectangular dark baking dish, rectangular glass baking dish, rectangular ceramic baking dish	2r
Lamb	Crown rib roast	Rare, medium , well	Broiling pan , roasting pan, disposable roasting pan, rectangular shiny baking dish, rectangular dark baking dish, rectangular glass baking dish, rectangular ceramic baking dish	2r
	Shoulder	Roasted shoulder	Broiling pan , roasting pan, disposable roasting pan	2r
	Slow cook shank	4-hour slow cook , 8-hour slow cook	Roasting pan , disposable roasting pan, rectangular shiny baking dish, rectangular dark baking dish, rectangular glass baking dish, rectangular ceramic baking dish	2r
Pork	Boston butt	Boston butt - probed , 4-hour slow cook, 8-hour slow cook, 12-hour slow cook	Broiling pan , roasting pan, disposable roasting pan, rectangular shiny baking dish, rectangular dark baking dish, rectangular glass baking dish, rectangular ceramic baking dish	2r
	Ham	Baked ham	Broiling pan , roasting pan, disposable roasting pan, rectangular shiny baking dish, rectangular dark baking dish, rectangular glass baking dish, rectangular ceramic baking dish	2r
	Pork chops	1 to 2 pork chops or 3 to 4 pork chops	Broiling pan	4r
	Pork loin	Roasted pork loin	Broiling pan , roasting pan, disposable roasting pan, rectangular shiny baking dish, rectangular dark baking dish, rectangular glass baking dish, rectangular ceramic baking dish	2r
	Slow cook ribs	8-hour slow cook or 12-hour slow cook	Roasting pan or disposable roasting pan	2r

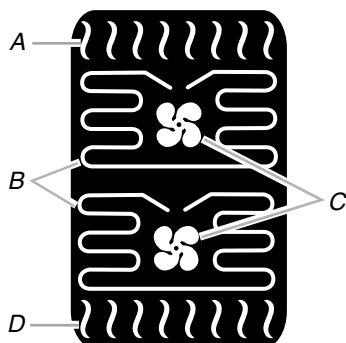
Category	Food	Doneness Options (Bold choice indicates the recommended selections and default)	Pan Options (Bold choice indicates recommended selection and default)	Rack
	Stuffed pork loin	Roasted stuffed loin	Broiling pan , roasting pan, disposable roasting pan, rectangular shiny baking dish, rectangular dark baking dish, rectangular glass baking dish, rectangular ceramic baking dish	2r
Poultry	Bone-in chicken breast	Baked chicken breast	Broiling pan	3r
	Boneless chicken breast	Baked chicken breast	Broiling pan	3r
	Breaded chicken breast	Baked chicken breast	Broiling pan	3r
	Chicken roaster	Light, medium , dark	Broiling pan , roasting pan, disposable roasting pan, rectangular shiny baking dish, rectangular dark baking dish, rectangular glass baking dish, rectangular ceramic baking dish	2r
	Chicken wings	Chicken wings	Broiling pan or dark jelly roll pan	3f
	Duck	Roasted duck	Broiling pan , roasting pan, disposable roasting pan	2r
	Game hen	Roasted game hen	Broiling pan or dark jelly roll pan	2r
	Goose	Roasted goose	Broiling pan , roasting pan, disposable roasting pan	2r
	Pheasant	Roasted pheasant	Broiling pan , roasting pan, disposable roasting pan	2r
	Quail	Roasted quail	Broiling pan or dark jelly roll pan	2r
	Turkey	Light, medium , dark	Broiling pan , roasting pan, disposable roasting pan	2r
Seafood	Salmon, tuna steak	Rare, medium rare , well	Broiling pan or dark jelly roll pan	4r
	Snapper fillet	Baked snapper	Broiling pan or dark jelly roll pan	4r
	Swordfish steak	Baked swordfish	Broiling pan or dark jelly roll pan	4r
	Tilapia fillet	Baked tilapia	Broiling pan or dark jelly roll pan	4r
	Whitefish fillet	Baked whitefish	Broiling pan or dark jelly roll pan	4r
Bread	Biscuits	Light, medium , dark	Shiny baking sheet , dark jelly roll pan, insulated baking sheet	2f
	Cinnamon rolls	Light, medium , dark	Shiny baking sheet , dark jelly roll pan, insulated baking sheet, stone baking sheet, round shiny cake pan, round dark cake pan, round silicone cake pan, round ceramic cake pan, rectangular shiny baking dish, rectangular dark baking dish, rectangular glass baking dish, rectangular ceramic baking dish	2f
	French bread/baguette	Light, medium , dark	Shiny baking sheet , dark jelly roll pan, insulated baking sheet	2f
	Frozen bread	Light, medium , dark	Shiny loaf pan , dark loaf pan, glass loaf pan, silicone loaf pan, ceramic loaf pan, shiny baking sheet, dark jelly roll pan, insulated baking sheet	2f
	Quick breads/muffins	Light, medium , dark	Dark loaf pan , shiny loaf pan, glass loaf pan, silicone loaf pan, ceramic loaf pan, shiny muffin pan, dark muffin pan, silicone muffin pan, stone muffin pan	2f
	Rapid proof	Rapid proof	Any cookie sheet , any loaf pan, any muffin pan	3r

Category	Food	Doneness Options (Bold choice indicates the recommended selections and default)	Pan Options (Bold choice indicates recommended selection and default)	Rack
	Yeast bread	Light, medium , dark	Shiny loaf pan , dark loaf pan, glass loaf pan, silicone loaf pan, ceramic loaf pan, shiny baking sheet, dark jelly roll pan, insulated baking sheet	2f
Casserole	Brown rice	Al dente or soft	Square glass baking dish , square shiny baking dish, square dark baking dish, square silicone baking dish, square ceramic baking dish, rectangular shiny baking dish, rectangular dark baking dish, rectangular glass baking dish, rectangular ceramic baking dish	3r
	Chicken casserole	Chicken casserole	Rectangular shiny baking dish , rectangular dark baking dish, rectangular glass baking dish, rectangular ceramic baking dish	3f
	Sweet potato casserole	Sweet potato casserole	Rectangular shiny baking dish , rectangular dark baking dish, rectangular glass baking dish, rectangular ceramic baking dish	3f
	Tuna casserole	Tuna casserole	Rectangular shiny baking dish , rectangular dark baking dish, rectangular glass baking dish, rectangular ceramic baking dish	3f
	White rice	Al dente or soft	Square glass baking dish , square shiny baking dish, square dark baking dish, square silicone baking dish, square ceramic baking dish, rectangular shiny baking dish, rectangular dark baking dish, rectangular glass baking dish, rectangular ceramic baking dish	3r
Dessert	Brownies	Cake-like or fudge-like	Rectangular glass baking dish , square shiny baking dish, square dark baking dish, square glass baking dish, square silicone baking dish, square ceramic baking dish, rectangular shiny baking dish, rectangular dark baking dish, rectangular ceramic baking dish	3f
	Chocolate cake	Chocolate Cake	Rectangular glass baking dish , round shiny cake pan, round dark cake pan, round silicone cake pan, round ceramic cake pan, square shiny baking dish, square dark baking dish, square glass baking dish, square silicone baking dish, square ceramic baking dish, rectangular shiny baking dish, rectangular dark baking dish, rectangular ceramic baking dish	2f
	Cookies	Light, medium , dark	Shiny baking sheet , dark jelly roll pan, insulated baking sheet	2f
	Cupcakes	Cupcakes	Shiny muffin pan , dark muffin pan, silicone muffin pan, stone muffin pan	Shiny, dark, silicone: 3f Stone: 3r
	Frozen pie	Light, medium , dark	Shiny baking sheet , dark jelly roll pan, insulated baking sheet	3f
	Homemade pie	Light, medium , dark	Glass pie pan , shiny pie pan, dark pie pan, ceramic pie pan	3f
	Pastries	Pastries	Shiny baking sheet , dark jelly roll pan, insulated baking sheet	3f

Category	Food	Doneness Options (Bold choice indicates the recommended selections and default)	Pan Options (Bold choice indicates recommended selection and default)	Rack
	Pie shell	Frozen pie shell or fresh pie shell	FROZEN PIE SHELL: shiny baking sheet , dark jelly roll pan, insulated baking sheet; FRESH PIE SHELL: glass pie pan , shiny pie pan, dark pie pan, ceramic pie pan	3f
	Pound cake	Pound cake	Shiny loaf pan , dark loaf pan, glass loaf pan, ceramic loaf pan, shiny fluted/tube cake pan, dark fluted/tube cake pan, glass fluted/tube cake pan, silicone fluted/tube cake pan, ceramic fluted/tube cake pan	Loaf pan: 3f Fluted pan: 2f
	Tube cake	Tube cake	Shiny fluted/tube cake pan , dark fluted/tube cake pan, glass fluted/tube cake pan, silicone fluted/tube cake pan, ceramic fluted/tube cake pan	2f
	White cake	White cake	Round shiny cake pan , round dark cake pan, round silicone cake pan, round ceramic cake pan, square shiny baking dish, square dark baking dish, square glass baking dish, square silicone baking dish, square ceramic baking dish, rectangular shiny baking dish, rectangular dark baking dish, rectangular glass baking dish, rectangular ceramic baking dish	3f
Italian Favorites	Frozen pizza	Light, medium , dark	No pan , perforated pizza pan, shiny pizza pan, silicone pizza pan, pizza stone - thick crust, pizza stone - thin crust, shiny baking sheet	No pan, perforated pan, shiny baking sheet: 3f Shiny pizza pan, silicone pizza pan: 2f Pizza stone: 3r
	Homemade pizza	Light, medium , dark	Shiny pizza pan , perforated pizza pan, silicone pizza pan, pizza stone, shiny baking sheet	Shiny pizza pan; perforated pizza pan, silicone pizza pan, shiny baking sheet: 2f; Pizza stone: 3r
	Lasagna	Lasagna	Rectangular shiny baking dish , rectangular dark baking dish, rectangular glass baking dish, rectangular ceramic baking dish	2f
	Macaroni and cheese	Macaroni and cheese	Rectangular shiny baking dish , rectangular dark baking dish, rectangular glass baking dish, rectangular ceramic baking dish	2f
	Tetrazzini	Tetrazzini	Rectangular shiny baking dish , rectangular dark baking dish, rectangular glass baking dish, rectangular ceramic baking dish	2f
Vegetables	Baked potatoes	Soft or firm	Dark jelly roll pan , foil wrapped potato, no pan	3r
	Roasted potatoes	Roasted potatoes	Dark jelly roll pan , roasting pan, disposable roasting pan, rectangular shiny baking dish, rectangular dark baking dish, rectangular glass baking dish, rectangular ceramic baking dish	3f
	Roasted vegetables	Roasted vegetables	Dark jelly roll pan , roasting pan, disposable roasting pan, rectangular shiny baking dish, rectangular dark baking dish, rectangular glass baking dish, rectangular ceramic baking dish	3f

Bake

During baking, the appropriate heating elements and convection fans will cycle on and off in intervals to maintain the oven temperature. For best results, allow the oven to preheat before placing food in the oven. Bake is used to cook up to 2 racks of food.



A. Broil element
B. Convection elements
C. Convection fans
D. Bake element

If the oven door is opened during baking, the heating elements will turn off approximately 30 seconds after the door is opened. They will turn on again approximately 30 seconds after the door is closed.

Before Using Bake:

Before using Bake, see the "Positioning Racks and Bakeware" section and the following tips for rack positions.

NOTE: An "o" after the rack position number indicates that the offset rack should be used. An "f" indicates that the flat rack should be used, and an "r" indicates that the roll-out rack should be used.

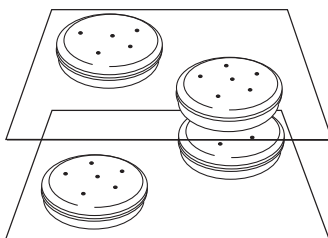
Rack positions

1-rack baking: 3f

2-rack baking: 2o and 4f or 2o and 4r

For meat and poultry: 2o

For best results when baking cakes on 2 racks, use racks 4r and 2o for baking. Place the cakes on the racks as shown.



To Use Bake:

1. Touch MODES to move to the Modes menu.
2. From the Modes menu, touch BAKE.
3. After touching Bake, you will move to the Temperature screen, or you may touch the Temperature tab to move to the Temperature screen.

Use the slider to enter a desired cooking temperature or touch the -5°F (-1°C) or $+5^{\circ}\text{F}$ ($+1^{\circ}\text{C}$) buttons. The temperature must be between 170°F (77°C) and 550°F (288°C).

4. Touch START to begin preheating oven or to start the Delay Timer.
OR
5. If a programmed cook time is desired, touch TIMER NOT SET to enter the Cook Time screen. Enter a cooking length using the on-screen number keyboard to set a timer to alert you when cooking ends. The time length may not exceed 12:00:00. The oven will turn off when the cook time expires.
6. (Optional) To keep food warm after a programmed cook timer ends, turn Keep Warm ON from the Cook Time screen. See the "Keep Warm™ Option" section for additional information.
7. (Optional) To set a delay start with a cook time, touch the TIMER NOT SET/COOK TIME Screen and enter desired cook time. Select Delay Start, set desired start time and touch SET DELAY. A second way to set a Delay Start is to touch DELAY START from the Temperature tab, set desired time and touch SET DELAY. See "Delay Start" section for additional information.
8. Touch START to begin preheating oven.
9. Place food in the oven when preheat signal sounds. The screen will also prompt you when to insert food. If a delay start is programmed, place food in oven when setting the mode.

WARNING

Food Poisoning Hazard

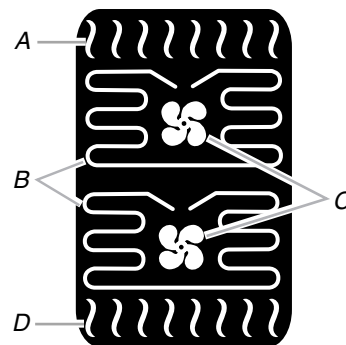
Do not let food sit in oven more than one hour before or after cooking.

Doing so can result in food poisoning or sickness.

NOTE: Do not use Delay Start for items that require a preheated oven, such as cakes, cookies and breads. If food is in the oven during preheat, it may become overcooked.

10. When the cook timer ends, you can start the Keep Warm cycle if not preset, Add More Time or Cancel the timer. To add more time, touch ADD MORE TIME or EXIT TIMER and then set timer. Enter desired time and select OK.
11. When the cycle is complete, touch CANCEL (CANCEL UPPER or CANCEL LOWER on double models) to turn off the oven.

No Preheat, 1-Rack Cooking



A. Broil element
B. Convection elements
C. Convection fans
D. Bake element

The No Preheat, 1-Rack Cooking function allows you to bake on 1-rack without preheating the oven. Baked goods, convenience foods and protein foods can be cooked using this function. Food items with a 10 minute or less baking time as well as some frozen convenience foods may require additional cooking time. Convection Bake, Convection Bake Rapid Preheat, and True Convection modes should be used for multiple-rack baking.

Before Using No Preheat, 1-Rack Cooking:

Before using No Preheat, 1-Rack Cooking, see the "Positioning Racks and Bakeware" section and the following tips for rack positions.

NOTE: An "o" after the rack position number indicates that the offset rack should be used. An "f" indicates that the flat rack should be used, and an "r" indicates that the roll-out rack should be used.

Rack positions

Use rack position 3f for baked goods such as biscuits, cookies, cakes and convenience foods. Use rack position 2f for meat, poultry and loaves of bread.

To Use No Preheat, 1-Rack Cooking:

1. Place food in oven on appropriate rack.
2. Touch MODES to move to the Modes menu.
3. From the Modes menu, touch NO PREHEAT 1-RACK COOKING.
4. After touching No Preheat, 1-Rack Cooking, you will move to the Temperature screen or you may touch the Temperature tab to move to the Temperature screen.
Use the slider to enter a desired cooking temperature or touch the -5°F (-1°C) or +5°F (+1°C) buttons. The temperature must be between 170°F (77°C) and 550°F (288°C).

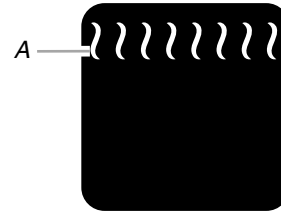
5. Touch START to begin cooking.

OR

6. If a programmed cook time is desired, touch TIMER NOT SET to enter the Cook Time screen. Enter a cooking length using the on-screen number keyboard to set a timer to alert you when cooking ends. The time length may not exceed 12:00:00. The oven will turn off when the cook time expires.
7. (Optional) To keep food warm after a programmed cook time ends, turn Keep Warm ON from the Cook Time screen. See the "Keep Warm™ Option" section for additional information.
8. (Optional) To set a delay start with a cook time, touch the TIMER NOT SET/COOK TIME Screen and enter desired cook time. Select Delay Start, set desired start time and touch SET DELAY. A second way to set a Delay Start is to touch DELAY START from the Temperature tab, set desired time and touch SET DELAY. See "Delay Start" section for additional information.
9. Touch START to begin cooking or to start the Delay Timer.
10. When the timer ends, you can start the Keep Warm cycle, Add More Time or Cancel the timer. To add more time, touch ADD MORE TIME or EXIT TIMER and then set timer. Enter desired time and select OK.
11. When the cycle is complete, touch CANCEL (CANCEL UPPER or CANCEL LOWER on double models) to turn off the oven.

Broil

Broiling uses direct radiant heat to cook food.



A. Broil element

The element cycles on and off in intervals to maintain the oven temperature.

The oven door must be close for the broil element to operate.

If the oven door is opened during broiling, the broil element will turn off in approximately 30 seconds. When the oven door is closed, the element will come back on approximately 30 seconds after the door is closed.

- For best results, use a broiler pan and grid. It is designed to drain juices and help avoid spatter and smoke.
If you would like to purchase a Broiler Pan Kit, it may be ordered. See "Assistance or Service" section to order. Ask for Part Number W10123240.
- For proper draining, do not cover the grid with foil. The bottom of the broiler pan may be lined with aluminum foil for easier cleaning.
- Trim excess fat to reduce spattering. Slit the remaining fat on the edges to avoid curling.
- Pull out oven rack to stop position before turning or removing food. Use tongs to turn food to avoid the loss of juices. Very thin cuts of fish, poultry or meat may not need to be turned.
- After broiling, remove the pan of food from the oven. Drippings will bake on the pan if left in the heated oven, making cleaning more difficult.

To Use Broil:

Before broiling, position rack according to the Broiling Chart.

When broiling, changing the temperature allows more precise control. The lower the temperature, the slower the cooking. Thicker cuts and unevenly shaped pieces of meat, fish and poultry may cook better at lower broiling temperatures.

Position food on the grid on the broiler pan, then place it in the center of the oven rack with the longest side parallel to the door. Close the door. It is not necessary to wait for the oven to preheat before putting food in unless recommended in the recipe.

1. Place food in oven and close door.
2. Touch MODES tab to move to the Modes menu.
3. Touch BROIL.

- After touching Broil, you will move to the Temperature screen, or you may touch the Temperature tab to move to the Temperature screen.

Use the slider to enter a desired cooking temperature or touch the -5°F (-1°C) or + 5°F (+1°C) buttons. The temperature must be between 450°F (232°C) and 550°F (288°C).

- Touch START to begin cooking.

OR

- If a programmed cook time is desired, touch TIMER NOT SET to enter the Cook Time screen. Enter a cooking length using the on-screen number keyboard to set a timer to alert you when cooking ends. The time length may not exceed 12:00:00. The oven will turn off when the cook time expires.
- (Optional) To keep food warm after a programmed cook time ends, turn Keep Warm ON from the Cook Time screen. See the “Keep Warm™ Option” section for additional information.
- (Optional) To set a delay start with a cook time, touch the TIMER NOT SET/COOK TIME Screen and enter desired cook time. Select Delay Start, set desired start time and touch SET DELAY. A second way to set a Delay Start is to touch DELAY START from the Temperature tab, set desired time and touch SET DELAY. See “Delay Start” section for additional information.
- Touch START to begin cooking or to start the Delay Timer.
- When the timer ends, you can start the Keep Warm cycle, Add More Time or Cancel the timer. To add more time, touch ADD MORE TIME or EXIT TIMER and then set timer. Enter desired time and select OK.
- Touch CANCEL (CANCEL UPPER or CANCEL LOWER on double models) to turn off the oven.

BROILING CHART

For best results, follow the chart below. For diagram, see the “Positioning Racks and Bakeware” section.

A temperature setting of 550°F (288°C) is recommended for most foods.

Times are guidelines only and may need to be adjusted for individual foods and tastes. Preheat is not needed for Broil mode.

FOOD	Rack Position	COOK TIME (in minutes)
Beef		
Steak		
1" to 1¼" (2.5 cm to 3 cm) thick		
medium-rare	4f	10-17
medium	4f	12-19
well-done	4f	15-24
Pork		
Pork chops		
1" (2.5 cm) thick		
medium	4f	16-24
Lamb		
Lamb chops		
1" (2.5 cm) thick		
medium-rare	4f	10-12
medium	4f	11-13
Ground Meats		
Ground beef, pork or lamb patties*		
¾" (2 cm) thick		
well-done	4f	15-18
Chicken		
Chicken		
bone-in pieces (2" to 2½" [5 cm to 6.3 cm])	2f	20-40
boneless pieces (4 oz [113 g])	4f	12-15
Fish		
Fish		
½" to ¾" (1.25 to 2 cm) thick	4f	6-15

*Place up to 12 patties, equally spaced, on broiler grid.

**An “o” after the rack position indicates that an offset rack should be used, an “f” indicates that the flat rack should be used, and a “r” indicates that the roll-out rack should be used.

Keep Warm™ Option

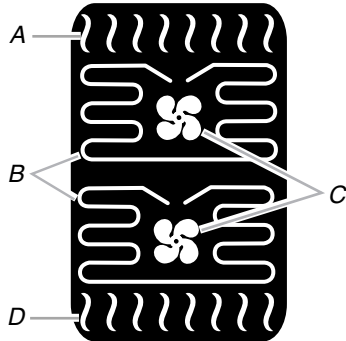
⚠ WARNING

Food Poisoning Hazard

Do not let food sit in oven more than one hour before or after cooking.

Doing so can result in food poisoning or sickness.

IMPORTANT: Food must be at serving temperature before placing it in the warmed oven. Food should not be held for more than 1 hour; however, breads and casseroles may become too dry if left in the oven during the Keep Warm function.



A. Broil element
B. Convection elements
C. Convection fans
D. Bake element

The Keep Warm™ option allows hot cooked foods to stay at serving temperature. It can be used as an independent option or at the end of a timed cook.

To Use Keep Warm As An Independent Option:

1. Touch MODES to move to the Modes menu.
2. From the Modes menu, touch KEEP WARM.
3. After touching Keep Warm, you will move to the Temperature screen, or you may touch the Temperature tab to move to the Temperature screen.

Use the slider to enter a desired cooking temperature or touch the -5°F (-1°C) or +5°F (+1°C) buttons. The temperature must be between 150°F (66°C) and 200°F (93°C).

4. Touch START to begin Keep Warm cycle.

OR

5. If a timed Keep Warm is desired, touch the TIMER NOT SET tab to enter the Cook Time screen. Enter a time using the on-screen number keyboard to set a timer to alert you when function ends. The time length may not exceed 12:00:00. The oven will turn off when cook time expires.
6. (Optional) To set a delay start with a cook time, touch the TIMER NOT SET/COOK TIME Screen and enter desired cook time. Select Delay Start, set desired start time and touch SET DELAY. A second way to set a Delay Start is to touch DELAY START from the Temperature tab, set desired time and touch SET DELAY. See "Delay Start" section for additional information.
7. Touch START to begin the Keep Warm cycle.

8. Place food in warm oven. If a delay start is programmed, place food in oven when setting the mode.
NOTE: Do not use Delay Start for items that require a preheated oven, such as cakes, cookies and breads. If food is in the oven during preheat, it may become overcooked.
9. Touch CANCEL (CANCEL UPPER or CANCEL LOWER on double models) to turn off the oven. If a timed function was programmed, the oven will turn off when the programmed time expires.

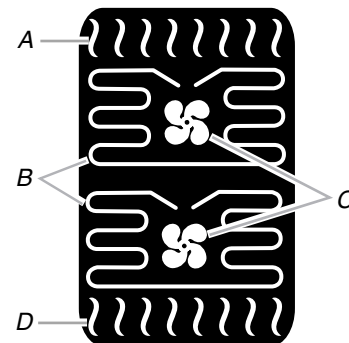
To Use Keep Warm at the End of a Cooking Cycle:

Keep Warm can be set up to come on at the end of a cooking cycle. Activate Keep Warm while setting up the cooking cycle.

1. During setup of a cooking cycle, touch the TIMER NOT SET/COOK TIME screen.
2. Set the desired cook time.
3. Touch KEEP WARM WHEN DONE and toggle to ON.
The oven will automatically go into Keep Warm mode when the cook timer ends.
4. If you want to change the Keep Warm temperature during the Keep Warm cycle, touch the programmed temperature at the top of the screen. Adjust temperature and touch OK.
5. To change the mode, touch the programmed mode at the top of the screen. Select the new mode and touch OK.
6. Touch CANCEL (CANCEL UPPER or CANCEL LOWER on double models) to turn off the oven.

Convect Bake

The convection elements are located in the rear of the oven cavity, and assisted by the convection fans, provide balanced, efficient heating.



A. Broil element
B. Convection elements
C. Convection fans
D. Bake element

Convection baking can be used for baking up to 2 racks of layer cakes and up to 4 racks of food such as cookies. If the oven is full, extra cooking time may be needed.

When cooking an oven meal with several different types of foods, be sure to select recipes that require similar temperatures. Cookware should sit in the oven with at least 1" (2.5 cm) of space between the cookware and the sides of the oven.

During convection baking preheat, the convection, bake and broil elements all heat the oven cavity while the fan circulates the hot air. After preheat, the convection, bake and broil elements and the fans will cycle on and off in intervals to maintain oven temperature.

If the oven door is opened during convection baking, the fans turn off immediately when the door is opened and turn on immediately when the door is closed. Convection, Bake, and Broil elements will turn off approximately 30 seconds after the door is opened. They will turn on again approximately 30 seconds after the door is closed.

- Reduce recipe temperature 25°F (14°C). Check food at shortest recommended package or recipe time.
- Choose cookie sheets without sides to allow air to move freely around the food.

Before Using Convection Bake:

Before using Convection Bake, see the “Positioning Racks and Bakeware” section and the following tips for rack positions.

NOTE: An “o” after the rack position number indicates that the offset rack should be used. An “f” indicates that the flat rack should be used, and an “r” indicates that the roll-out rack should be used.

Rack positions

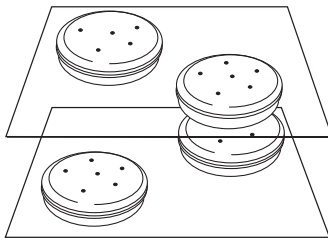
1-rack baking: 3f

2-rack baking: 2o and 4f or 2o and 4r

3-rack baking: 1o, 3f, and 5r

4-rack baking: 1o, 2f, 4f, and 5r

For best results when baking cakes on 2 racks, use racks 4r and 2o for baking. Place the cakes on the racks as shown.



To Use Convection Bake:

1. Touch MODES to move to the Modes menu.
2. From the Modes menu, touch CONVECT BAKE.
3. After touching Convection Bake, you will move to the Temperature screen, or you may touch the Temperature tab to move to the Temperature screen.
Use the slider to enter a desired cooking temperature or press the -5°F (-1°C) or +5°F (+1°C) buttons. The temperature must be between 170°F (77°C) and 550°F (288°C).
4. Touch START to preheat oven.
OR
5. If a programmed cook time is desired, touch TIMER NOT SET to enter the Cook Time screen. Enter a cooking length using the on-screen number keyboard to set a timer to alert you when cooking ends. The time length may not exceed 12:00:00. The oven will turn off when the cook time expires.
6. (Optional) To keep food warm after a programmed cook time ends, turn Keep Warm ON from the Cook Time screen. See the “Keep Warm™ Option” section for additional information.
7. (Optional) To set a delay start with a cook time, touch the TIMER NOT SET/COOK TIME Screen and enter desired cook time. Select Delay Start, set desired start time and touch SET DELAY. A second way to set a Delay Start is to touch DELAY START from the Temperature tab, set desired time and touch SET DELAY. See “Delay Start” section for additional information.
8. Touch START to begin preheating oven.

9. Place food in the oven when preheat signal sounds. The screen will also prompt you when to insert food. If a delay start is programmed, place food in oven when setting the mode.

! WARNING

Food Poisoning Hazard

Do not let food sit in oven more than one hour before or after cooking.

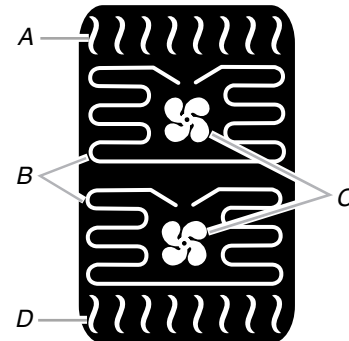
Doing so can result in food poisoning or sickness.

NOTE: Do not use Delay Start for items that require a preheated oven, such as cakes, cookies and breads. If food is in the oven during preheat, it may become overcooked.

10. When cook timer ends, you can start the Keep Warm cycle if not preset, Add More time or Cancel the timer. To add more time, touch ADD MORE TIME or EXIT TIMER and then set timer. Enter desired time and select OK.
11. When the cycle is complete, touch CANCEL (CANCEL UPPER or CANCEL LOWER on double models) to turn off the oven.

Convection Bake Rapid Preheat

The Convection Bake Rapid Preheat mode will preheat the oven faster than other modes. You can bake up to three racks of food such as biscuits or cookies and 2 racks of layer cakes.



- A. Broil element
- B. Convection elements
- C. Convection fans
- D. Bake element

NOTE: Reduce recipe temperature by 25°F (14°C) for this function.

Before Using Convection Bake Rapid Preheat:

Before using Convection Bake Rapid Preheat, see the “Positioning Racks and Bakeware” section and the following tips for rack positions.

NOTE: An “o” after the rack position number indicates that the offset rack should be used. An “f” indicates that the flat rack should be used, and an “r” indicates that the roll-out rack should be used.

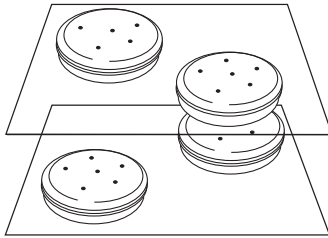
Rack positions

1-rack baking: 3f

2-rack baking: 2o and 4r

3-rack baking: 1f, 4o and 5r or 1o, 3f and 5r

For best results when baking cakes on 2 racks, use racks 2o and 4r for baking. Place the cakes on the racks as shown.



To Use Convection Bake Rapid Preheat:

1. Touch MODES to move to the Modes menu.
2. From the Modes menu, touch CONVECT BAKE RAPID PREHEAT.
3. After touching Convection Bake Rapid Preheat, you will move to the Temperature screen, or you may touch the Temperature tab to move to the Temperature screen.

Use the slider to enter a desired cooking temperature or touch the -5°F (-1°C) or $+5^{\circ}\text{F}$ ($+1^{\circ}\text{C}$) buttons. The temperature must be between 170°F (77°C) and 550°F (288°C).

4. Touch START to begin preheating oven.

OR

5. If a programmed cook time is desired, touch TIMER NOT SET to enter the Cook Time screen. Enter a cooking length using the on-screen number keyboard to set a timer to alert you when cooking ends. The time length may not exceed 12:00:00. The oven will turn off when the cook time expires.
6. (Optional) To keep food warm after a programmed cook time ends, turn Keep Warm ON from the Cook Time screen. See the "Keep Warm™ Option" section for additional information.
7. (Optional) To set a delay start with a cook time, touch the TIMER NOT SET/COOK TIME Screen and enter desired cook time. Select Delay Start, set desired start time and touch SET DELAY. A second way to set a Delay Start is to touch DELAY START from the Temperature tab, set desired time and touch SET DELAY. See "Delay Start" section for additional information.
8. Touch START to begin preheating oven or to start the Delay Timer.
9. Place food in the oven when preheat signal sounds. The screen will also prompt you when to insert food. If a delay start is programmed, place food in oven when setting the mode.

! WARNING

Food Poisoning Hazard

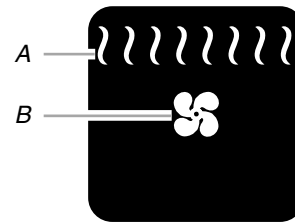
Do not let food sit in oven more than one hour before or after cooking.

Doing so can result in food poisoning or sickness.

NOTE: Do not use Delay Start for items that require a preheated oven, such as cakes, cookies and breads. If food is in the oven during preheat, it may become overcooked.

10. When the cook timer ends, you can start the Keep Warm cycle if not preset, Add More Time or Cancel the timer. To add more time, touch ADD MORE TIME or EXIT TIMER and then set timer. Enter desired time and select OK.
11. When the cycle is complete, touch CANCEL (CANCEL UPPER or CANCEL LOWER on double models) to turn off the oven.

Convection Broil



A. Broil element

B. Convection fans

During convection broiling, the broil element will cycle on and off in intervals to maintain oven temperature, while the fan circulates the hot air.

The oven door must be close for the broil element to operate.

The temperature is preset at 550°F (288°C), but can be changed to a different temperature. Cooking times will vary depending on the rack position and temperature and may need to be adjusted.

The fans turn off immediately when door is opened and turn on again immediately when door is closed. The broil element will turn off approximately 30 seconds after the door is opened. It will turn on again approximately 30 seconds after the door is closed.

To Use Convection Broil:

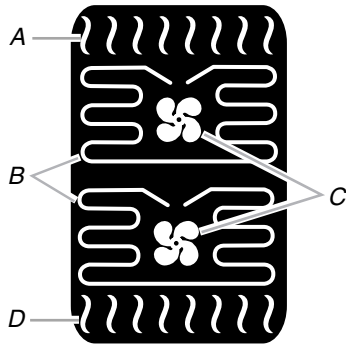
Before convection broiling, see "Broil" section for general broiling guidelines.

1. Place food in oven and close door.
 2. Touch MODES tab to move to the Modes menu.
 3. Touch CONVECT BROIL.
 4. After touching Convection Broil, you will move to the Temperature screen, or you may touch the Temperature tab to move to the Temperature screen.
Use the slider to enter a desired cooking temperature or touch the -5°F (-1°C) or $+5^{\circ}\text{F}$ ($+1^{\circ}\text{C}$) buttons. The temperature must be between 450°F (232°C) and 550°F (288°C).
 5. Touch START to begin cooking.
- #### OR
6. If a programmed cook time is desired, touch TIMER NOT SET to enter the Cook Time screen. Enter a cooking length using the on-screen number keyboard to set a timer to alert you when cooking ends. The time length may not exceed 12:00:00. The oven will turn off when the cook time expires.
 7. (Optional) To keep food warm after a programmed cook time ends, turn Keep Warm ON from the Cook Time screen. See the "Keep Warm™ Option" section for additional information.
 8. (Optional) To set a delay start with a cook time, touch the TIMER NOT SET/COOK TIME Screen and enter desired cook time. Select Delay Start, set desired start time and touch SET DELAY. A second way to set a Delay Start is to touch DELAY START from the Temperature tab, set desired time and touch SET DELAY. See "Delay Start" section for additional information.
 9. Touch START to begin cooking or to start the Delay Timer.
 10. When the timer ends, you can start the Keep Warm cycle, Add More Time or Cancel The Timer. To add more time, touch ADD MORE TIME or EXIT TIMER and then set timer. Enter desired time and select OK.
 11. Touch CANCEL (CANCEL UPPER or CANCEL LOWER on double models) to turn off the oven.

Convect Pastry

Convect Pastry is best for 1, 2, or 3 rack baking of items such as cream puffs, turnovers, and croissants.

NOTE: The recipe temperature should not be reduced for Convect Pastry



A. Broil element
B. Convection elements
C. Convection fans
D. Bake element

Before Using Convect Pastry:

Before using Convect Pastry, see the "Positioning Racks and Bakeware" section and the following tips for rack positions.

1-rack baking: 3f

2-rack baking: 2o and 3r

3-rack baking: 1o, 3f, and 5r

NOTE: An "o" after the rack position number indicates that the offset rack should be used. An "f" indicates that the flat rack should be used, and an "r" indicates that the roll-out rack should be used.

To Use Convect Pastry:

1. Touch MODES tab to move to the Modes menu.
2. From the Modes menu, touch CONVECT PASTRY.
3. After touching Convect Pastry, you will move to the Temperature screen, or you may touch the Temperature tab to move to the Temperature screen.
Use the slider to enter a desired cooking temperature or touch the -5°F (-1°C) or $+5^{\circ}\text{F}$ ($+1^{\circ}\text{C}$) buttons. The temperature must be between 170°F (77°C) and 550°F (288°C).
4. Touch START to begin preheating oven.
OR
5. If a programmed cook time is desired, touch TIMER NOT SET to enter the Cook Time screen. Enter a cooking length using the on-screen number keyboard to set a timer to alert you when cooking ends. The time length may not exceed 12:00:00. The oven will turn off when the cook time expires.
6. (Optional) To keep food warm after a programmed cook time ends, turn Keep Warm ON from the Cook Time screen. See the "Keep Warm™ Option" section for additional information.
7. (Optional) To set a delay start with a cook time, touch the TIMER NOT SET/COOK TIME Screen and enter desired cook time. Select Delay Start, set desired start time and touch SET DELAY. A second way to set a Delay Start is to touch DELAY START from the Temperature tab, set desired time and touch SET DELAY. See "Delay Start" section for additional information.
8. Touch START to begin preheating oven.

9. Place food in the oven when preheat signal sounds. The screen will also prompt you when to insert food. If a delay start is programmed, place food in oven when setting the mode.

! WARNING

Food Poisoning Hazard

Do not let food sit in oven more than one hour before or after cooking.

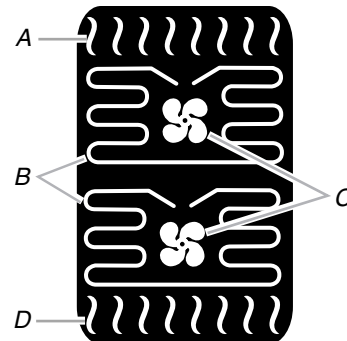
Doing so can result in food poisoning or sickness.

NOTE: Do not use Delay Start for items that require a preheated oven, such as cakes, cookies and breads. If food is in the oven during preheat, it may become overcooked.

10. When the cook timer ends, you can start the Keep Warm cycle if not preset, Add More time or Cancel the timer. To add more time, touch ADD MORE TIME or EXIT TIMER and then set timer. Enter desired time and select OK.
11. Touch CANCEL (CANCEL UPPER or CANCEL LOWER on double models) to turn off the oven.

Convect Roast

Convect roast can be used for roasting meats, poultry and vegetables. During convect roast, the broil, convect, and bake elements will cycle on and off in intervals to maintain oven temperature, while the fan circulates the hot air. It is not necessary to reduce oven temperature when using the Convect Roast Mode.



A. Broil element
B. Convection elements
C. Convection fans
D. Bake element

If the oven door is opened during convection roasting, the fans turn off immediately and turn on immediately when the door is closed. Bake, broil, and convect elements will turn off approximately 30 seconds after the door is opened. They will turn on again approximately 30 seconds after the door is closed.

- The cook time should be reduced 15-30%.
- For best results, use a broiler pan and grid designed to drain juices and help avoid spatter and smoke.

If you would like to purchase a Broiler Pan Kit, it may be ordered. See "Assistance or Service" section to order. Ask for Part Number W10123240.

To Use Convect Roast:

Before using convect roast, see the "Positioning Racks and Bakeware" section. It is not necessary to wait for the oven to preheat before putting food in, unless recommended in the recipe.

1. Place food in oven if no preheat is recommended.
2. Touch MODES to move to the Modes menu.
3. From the Modes menu, touch CONVECT ROAST.
4. After touching Convect Roast, you will move to the Temperature screen, or you may touch the Temperature tab to move to the Temperature screen.

Use the slider to enter a desired cooking temperature or press the -5°F (-1°C) or $+5^{\circ}\text{F}$ ($+1^{\circ}\text{C}$) buttons. The temperature must be between 170°F (77°C) and 550°F (288°C).

5. Touch START to begin cooking or preheating.

OR

6. If a programmed cook time is desired, touch TIMER NOT SET to enter the Cook Time screen. Enter a cooking length using the on-screen number keyboard to set a timer to alert you when cooking ends. The time length may not exceed 12:00:00. The oven will turn off when the cook time expires.
7. (Optional) To keep food warm after a programmed cook time ends, turn Keep Warm ON from the Cook Time screen. See the "Keep Warm™ Option" section for additional information.
8. (Optional) To set a delay start with a cook time, touch the TIMER NOT SET/COOK TIME Screen and enter desired cook time. Select Delay Start, set desired start time and touch SET DELAY. A second way to set a Delay Start is to touch DELAY START from the Temperature tab, set desired time and touch SET DELAY. See "Delay Start" section for additional information.
9. Touch START to begin cooking or preheating oven.
10. If preheat is recommended, place food in oven when preheat signal sounds. The screen will also prompt you when to insert food.

! WARNING

Food Poisoning Hazard

Do not let food sit in oven more than one hour before or after cooking.

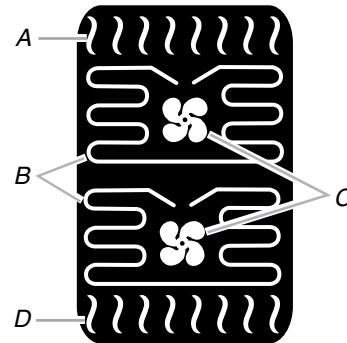
Doing so can result in food poisoning or sickness.

NOTE: Do not use Delay Start for items that require a preheated oven, such as cakes, cookies and breads. If food is in the oven during preheat, it may become overcooked.

11. When the cook time ends, you can start the Keep Warm cycle if not preset, Add More time or Cancel the timer. To add more time, touch ADD MORE TIME or EXIT TIMER and then set timer. Enter desired time and select OK.
12. Touch CANCEL (CANCEL UPPER or CANCEL LOWER on double models) to turn off the oven.

Convect Slow Roast

Convect Slow Roast is best for food items such as beef, poultry and pork. This cycle cooks food at low temperatures for long periods of time. Food can be cooked up to 12 hours. Depending on the time chosen, there is a range of temperatures to select. See the following chart.



A. Broil element
B. Convection elements
C. Convection fans
D. Bake element

Cook Time	Default Temperature	Temperature Range
4 Hours	275°F (135°C)	250-300°F (120-150°C)
8 Hours	225°F (107°C)	200-250°F (93-120°C)
12 Hours	185°F (85°C)	170-225°F (77-107°C)

- Food should be completely thawed.
- Cover foods to keep food moist.
- Prior to Slow Roasting, meat can be pan seared or broiled on sides to enhance browning, flavor and tenderness.
- Use rack position 2o for best results.

To Use Convect Slow Roast:

Before using Convect Slow Roast, see "Positioning Racks and Bakeware" section.

1. Place food in oven.
2. Touch MODES to move to the Modes menu.
3. From the Modes menu, touch CONVECT SLOW ROAST.
4. After touching Convect Slow Roast, you will move to the Temperature screen, or you may touch the Temperature tab to move to the Temperature screen.

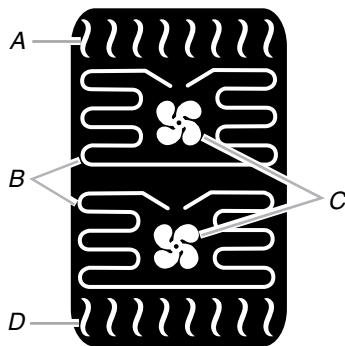
Use the slider to enter a desired cooking temperature or press the -5°F (-1°C) or $+5^{\circ}\text{F}$ ($+1^{\circ}\text{C}$) buttons. The temperature must be between 170°F (77°C) and 300°F (150°C). The temperature range you select from is based on the selected cook time.

5. Touch START to begin cooking.

OR

6. If you want to set a different cook time, touch the tab labeled 04:00:00, 08:00:00 or 12:00:00 to enter the Cook Time screen.
Select 4 Hours, 8 Hours or 12 Hours.
7. (Optional) To keep food warm after a programmed cook timer ends, turn Keep Warm ON from the Cook Time screen. See the "Keep Warm™ Option" section for additional information.
8. (Optional) To set a delay start with a cook time, touch the TIMER NOT SET/COOK TIME Screen and enter desired cook time. Select Delay Start, set desired start time and touch SET DELAY. A second way to set a Delay Start is to touch DELAY START from the Temperature tab, set desired time and touch SET DELAY. See "Delay Start" section for additional information.
9. Touch START to begin cooking.
10. When the cycle is complete, touch CANCEL (CANCEL UPPER or CANCEL LOWER on double models) to turn off the oven.

True Convect



- A. Broil element
- B. Convection elements
- C. Convection fans
- D. Bake element

True Convection is best for baking 1, 2 or 3 racks of baked goods such as biscuits and cookies. It can also be used for up to 2 racks layer cakes. During preheat the convection, bake and broil elements cycle to heat the oven. After preheat, only the convection elements and fans cycle on and off to maintain oven temperature.

NOTE: Reduce recipe temperature by 25°F (14°C) for this function.

Before Using True Convection:

Before using True Convection, see the “Positioning Racks and Bakeware” section and the following tips for rack positions.

NOTE: An “o” after the rack position number indicates that the offset rack should be used. An “f” indicates that the flat rack should be used, and an “r” indicates that the roll-out rack should be used.

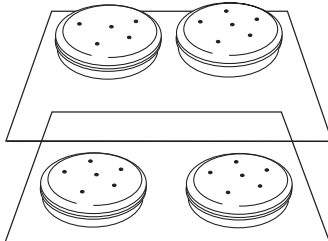
Rack positions

1-rack baking: 3f

2-rack baking: 2o and 3r

3-rack baking: 1o, 3f or 5r

For best results when baking cakes on 2 racks, use racks 2o and 4f for baking. Place the cakes on the racks as shown.



To Use True Convection:

1. Touch MODES to move to the Modes menu.
 2. From the Modes menu, touch TRUE CONVECT.
 3. After touching True Convection, you will move to the Temperature screen, or you may touch the Temperature tab to move to the Temperature screen.
Use the slider to enter a desired cooking temperature or touch the -5°F (-1°C) or +5°F (+1°C) buttons. The temperature must be between 170°F (77°C) and 550°F (288°C).
 4. Touch START to begin preheating oven.
- OR**
5. If a programmed cook time is desired, touch TIMER NOT SET to enter the Cook Time screen. Enter a cooking length using the on-screen number keyboard to set a timer to alert you when cooking ends. The time length may not exceed 12:00:00. The oven will turn off when the cook time expires.

6. (Optional) To keep food warm after a programmed cook time ends, turn Keep Warm ON from the Cook Time screen. See the “Keep Warm™ Option” section for additional information.
7. (Optional) To set a delay start with a cook time, touch the TIMER NOT SET/COOK TIME Screen and enter desired cook time. Select Delay Start, set desired start time and touch SET DELAY. A second way to set a Delay Start is to touch DELAY START from the Temperature tab, set desired time and touch SET DELAY. See “Delay Start” section for additional information.
8. Touch START to begin preheating oven.
9. Place food in the oven when preheat signal sounds. The screen will also prompt you when to insert food. If a delay start is programmed, place food in oven when setting the mode.

WARNING

Food Poisoning Hazard

Do not let food sit in oven more than one hour before or after cooking.

Doing so can result in food poisoning or sickness.

NOTE: Do not use Delay Start for items that require a preheated oven, such as cakes, cookies and breads. If food is in the oven during preheat, it may become overcooked.

10. When the cook time ends, you can start the Keep Warm cycle if not preset, Add More Time or Cancel the timer. To add more time, touch ADD MORE TIME or EXIT TIMER and then set timer. Enter desired time and select OK.
11. When the cycle is complete, touch CANCEL (CANCEL UPPER or CANCEL LOWER on double models) to turn off the oven.

Auto Convection Conversion

Convection temperatures and/or times can differ from those of standard cooking. When necessary, the oven automatically reduces standard recipe temperatures and/or times for convection cooking.

By selecting Auto Convection Conversion, you select a category then enter a temperature and time according to the recipe or package instructions.

The conversion may not be exact because foods are grouped in general categories.

To Use Auto Convection Conversion:

1. From the Home tab, Touch AUTO CONVECTION CONVERSION.
2. Select an Automatic Convection Recipe Conversion mode:

Convect Bake	Casseroles, cakes, baked goods, cookies
Convect Roast	Whole chicken/turkey, vegetables, pork/beef roasts
Convect Broil	Steaks, fillets, pork chops, chicken breasts, shrimp
Convect Pastry	Frozen pie, turnovers, cream puffs, puff pastry
Manual	View all manual modes to skip the recipe update process
3. Enter standard cooking temperature. Use the slider to enter a desired cooking temperature or touch the buttons -5°F (-1°C) or +5°F (+1°C).

4. Choose SKIP TIMER or SET TIMER.
5. If Set Timer is chosen, enter standard cooking time using the on-screen number keyboard.
6. Touch NEXT.
7. Touch ON or OFF on Reminder button. It reminds you to check food when 20% of the timer remains.
8. If Skip Timer is chosen, you will review your converted settings and be able to set Reminder and Delay Start.
9. The Cook Timer value will show "Not Set."
10. Touch START to begin preheating oven or DELAY START to use the converted setting when the delay time expires. See "Delay Start" section for additional information.
11. Place food in the oven when preheat signal sounds. The screen will also prompt you when to insert food. If a delay start is programmed, place food in oven when setting the mode.

⚠ WARNING

Food Poisoning Hazard

Do not let food sit in oven more than one hour before or after cooking.

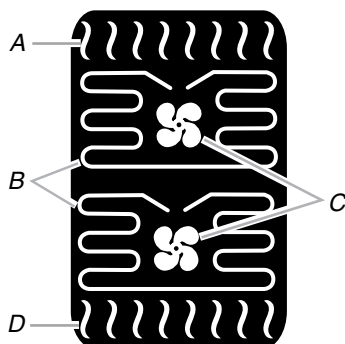
Doing so can result in food poisoning or sickness.

NOTE: Do not use Delay Start for items that require a preheated oven, such as cakes, cookies and breads. If food is in the oven during preheat, it may become overcooked.

12. If the cook timer is set and the timer ends, you can start the Keep Warm cycle if not preset, Add More Time or Cancel the timer. To add more time, touch ADD MORE TIME or EXIT TIMER and then set timer. Enter desired time and select OK.
13. Touch CANCEL (CANCEL UPPER or CANCEL LOWER on double models) to turn off the oven.

Proof

The Proof cycle prepares dough for baking by activating the yeast. Follow recipe or package for number of times to proof dough.



- A. Broil element
- B. Convection elements
- C. Convection fans
- D. Bake element

To Use Proof:

Before first proofing, place dough in a lightly greased bowl and cover. Place bowl on rack position 3. See "Positioning Racks and Bakeware" section for tips. Close door.

1. Place food in oven and close the door.
2. Touch MODES to move to the Modes menu.
3. From the Modes menu, touch PROOF.

4. After touching Proof, you will move to the Temperature screen, or you may touch the Temperature tab to move to the Temperature screen. The temperature is set at 100°F (38°C) and cannot be changed.
5. Press START to begin proofing.

OR

6. If a programmed cook time is desired, touch TIMER NOT SET to enter the Cook Time screen. Enter a time using the on-screen number keyboard to set a timer to alert you when time expires. The time length may not exceed 12:00:00. The oven will turn off when the time expires.
7. (Optional) To set a delay start with a cook time, touch the TIMER NOT SET/COOK TIME Screen and enter desired cook time. Select Delay Start, set desired start time and touch SET DELAY. A second way to set a Delay Start is to touch DELAY START from the Temperature tab, set desired time and touch SET DELAY. See "Delay Start" section for additional information.
8. Touch START to begin cooking or to start the Delay Timer.
9. When the timer ends, you can Add More Time or Cancel the timer. To add more time, touch ADD MORE TIME or EXIT TIMER and then set timer. Enter desired time and select OK.
10. Touch CANCEL (CANCEL UPPER or CANCEL LOWER on double models) to turn off the oven.

Before second proofing, shape dough, place in baking pan(s) and cover loosely. Follow same placement, and control steps above. Before baking, remove cover.

Rapid Proof

Rapid Proof is used to proof frozen or formed dough. The Rapid Proof mode requires the oven to be preheated.

To Use Rapid Proof:

1. From the Home Tab, touch CULINARY CENTER.
2. Select Bread category then use page up and down arrows to locate Rapid Proof on right-hand side of the screen. Select Rapid Proof then select Next.
3. Select the cookware you are using and select Next
4. After touching Rapid Proof, you will move to the Temperature screen, or you may touch the Temperature tab to move to the Temperature screen.

Use the slider to enter a desired cooking temperature or touch the -5°F (-1°C) or +5°F (+1°C) buttons. The temperature must be between 170°F (77°C) and 200°F (93°C), then select Next.

5. Enter the proofing length using the on-screen number keyboard. The time length may not exceed 12:00:00.
6. Touch Next and review settings and see additional information. Follow instructions on screen for additional guidance.
7. Place food in oven when preheat signal sounds. Screen will also prompt you when to insert food.
8. When the cycle is complete, touch CANCEL (CANCEL UPPER or CANCEL LOWER on double models) to turn off the oven. The oven will turn off when time expires.

Cook Timer

The Cook Timer allows the oven to cook for a programmed length of time. The Cook Timer can be accessed by touching COOK TIMER or TIMER NOT SET whenever available.

The Cook Timer countdown is started several ways:

- Touching START TIMER starts the countdown immediately.

- Opening then closing the door before preheat is complete starts the timer as soon as preheat is complete.
- Opening then closing the door when preheat is complete starts the countdown immediately.
- Cook timer countdown will automatically start 2 minutes after the preheat signal if none of the above activities have occurred.

The control will signal when 20% of the cook time remains.

To Use Cook Timer:

1. Touch COOK TIMER from the Home screen or touch TIMER NOT SET whenever available.
2. Select the Cook Timer or Timer Not Set tab.
3. Select desired cook time by using the on-screen number keyboard. The time length may not exceed 12:00:00.
4. Touch START to begin preheating oven.
5. (Optional) To keep food warm after cooking ends, turn Keep Warm ON. See the "Keep Warm™ Option" section for additional information.
6. (Optional) To set delayed start, touch DELAY START and set desired time. See "Delay Start" section for additional information.
7. Place food in the oven when preheat signal sounds. The screen will also prompt you when to insert food. If a delay start is programmed, place food in oven when setting the mode.

⚠ WARNING

Food Poisoning Hazard

Do not let food sit in oven more than one hour before or after cooking.

Doing so can result in food poisoning or sickness.

NOTE: Do not use Delay Start for items that require a preheated oven, such as cakes, cookies and breads. If food is in the oven during preheat, it may become overcooked.

8. When the Cook Timer ends, if additional cook time is desired, select ADD MORE TIME. Time can be added by selecting Reset, which will reset the previously set time, or by selecting ADD 1 MIN, ADD 5 MIN or ADD 15 MIN. Selecting ADD 1 MIN, ADD 5 MIN or ADD 15 MIN allows you to set time in 1-, 5- or 15-minute increments. If Keep Warm™ function is desired and was not previously set, select Keep Warm when Cook Timer expires.

Temperature Probe

⚠ WARNING



Burn Hazard

Use an oven mitt to remove temperature probe.

Do not touch broil element.

Failure to follow these instructions can result in burns.

The temperature probe measures the internal temperature of meat, poultry and casseroles and should be used in determining the doneness of food. It can be used during Bake, Convection Bake, Convection Roast and some modes in the Culinary Center. The oven will beep when the food has reached the target temperature.

Always unplug and remove the temperature probe from the oven when removing food.

To Use Temperature Probe:

Before using, insert the probe into the food item. For meats, the probe tip should be located in the center of the thickest part of the meat and not into the fat or touching a bone.

NOTE: Remove any racks above the food that are not in use.

Place food in oven and connect the temperature probe to the jack. Keep probe as far away from heat source as possible. Close oven door.

1. From the Home tab, touch the PROBE button.
2. Select Convection Bake, Convection Roast or Bake. To obtain culinary assistance with food, touch CONVECT: VIEW FOODS. By selecting Convection: View Foods, you will go to the Culinary Center menu and be prompted to make selections based on items such as your preferred doneness level and the pan being used. Some foods in the Culinary Center do not use the temperature probe. As you advance through the screens, you will see descriptions and tips specific to your selections. See "Culinary Center" section for additional information.

3. Depending on whether or not the probe is inserted, the display will read: "Probe: Not Inserted" or "Probe: Inserted."

NOTE: Insert food and probe before heating the oven.

4. Touch CONVECT BAKE, CONVECT ROAST or BAKE. Selecting these buttons will take you to the Probe Temperature tab, with the method already selected automatically as well as an appropriate default temperature.
5. Use the buttons -5°F (-1°C) or +5°F (+1°C) to adjust the Probe Temperature. The default temperature is 160°F (71°C). The temperature must be between 130°F (54°C) and 185°F (85°C).

NOTE: Use the chart on the screen to determine the probe temperature setting. Food should be removed from the oven when the probe notifies you, covered and allowed to stand for 10-15 minutes. The 10-15 minutes rest allows the temperature of the food to increase to your desired doneness level.

6. To change the oven temperature, touch the temperature tab to move to the Temperature screen. Use the slider to enter a desired cooking temperature or touch the -5°F (-1°C) or +5°F (+1°C) buttons. The temperature must be between 170°F (77°C) and 550°F (288°C).
7. To set a delayed start, touch Delay Start and set desired time. See "Delay Start" section for additional information.
8. To remove probe temperature, but keep current mode and cavity temperature, touch CANCEL PROBE button.
9. Touch START to begin cooking with the probe.
10. At the end of some functions that use the probe, you will have the option to Add Browning. If Add Browning is selected, monitor the food and remove it from the oven when desired browning has been achieved.

Delay Start

! WARNING

Food Poisoning Hazard

Do not let food sit in oven more than one hour before or after cooking.

Doing so can result in food poisoning or sickness.

Delay Start allows the oven(s) to be set to turn on at a certain time of day.

Delay Start should not be used for food such as breads and cakes because they may not bake properly.

Delay Start is available with any cycle that has a Delay Start button.

To Set a Delay Start:

1. From any mode with the Delay Start button available, press DELAY START. Delay Start is available on the Timer Not Set/ Cook Time screen or the Temperature screen.
2. Set time of day you would like the oven to start heating by using the slider to enter a desired time or press the "-15min" or "+15min" buttons. These buttons decrease or increase the selected time and also move the slider.
3. Touch SET DELAY.
4. To change the previously set delay start time, touch the Start Time, make necessary changes, and touch SET DELAY.

Delay with Cook Timer:

1. If Delay with Cook Timer is desired, select Timer Not Set or Cook Timer.
2. Program desired cook time.
3. (Optional) Touch Delay Start. The difference between the start and end time should equal the cook time.
4. (Optional) Select Keep Warm: ON to set Keep Warm to come on after the cook time expires.
5. Use the slider to enter a desired begin and end time or press the "-15min" or "+15min" buttons. These buttons decrease or increase the selected begin/end time and also move the slider.
6. Touch SET DELAY.

Delay with Probe:

! WARNING



Burn Hazard

Use an oven mitt to remove temperature probe.

Do not touch broil element.

Failure to follow these instructions can result in burns.

1. If Delay is chosen when the probe is in use, select Delay Start when at the Probe Temp screen, then select when cooking should begin. Because the probe controls the end time, the end time will not be displayed.
2. Use the slider to enter a desired begin time or press the "-15min" or "+15min" buttons. These buttons decrease or increase the selected begin and also move the slider.
3. The oven will automatically keep the food warm when the probe reaches the target temperature.
4. Touch SET DELAY.

Delay for Clean:

1. If Delay for Clean is desired, select Delay Start after selecting the Cleaning level. Select when cleaning should begin. The oven will calculate the end time based on your cleaning level choice.
2. Use the slider to enter a desired begin and end time or press the "-15min" or "+15min" buttons. These buttons decrease or increase the selected begin/end time and also move the slider.
3. The oven will cool for an additional hour after cleaning is completed.
4. Touch SET DELAY.

OVEN CARE

CustomClean™ Self-Cleaning with Adjustable Levels and Auto Lock

! WARNING



Burn Hazard

Do not touch the oven during the Self-Cleaning cycle.

Keep children away from oven during Self-Cleaning cycle.

Failure to follow these instructions can result in burns.

IMPORTANT: The health of some birds is extremely sensitive to the fumes given off during the Self-Clean cycle. Exposure to the fumes may result in death to certain birds. Always move birds to another closed and well-ventilated room.

Self-clean the oven before it becomes heavily soiled. Heavy soil results in longer cleaning and more smoke.

Keep the kitchen well-ventilated during the Self-Clean cycle to help get rid of heat, odors, and smoke.

Do not block the oven vent(s) during the Self-Clean cycle. Air must be able to move freely. Depending on your model, see "Oven Vent" or "Oven Vents" section.

Do not clean, rub, damage or move the oven door gasket. The door gasket is essential for a good seal.

Prepare Oven:

- Remove the broiler pan, grid, cookware and bakeware and, on some models, the temperature probe from the oven.
- Remove oven racks to keep them shiny and easy to slide. See "General Cleaning" section for more information.
- Remove any foil from the oven because it may burn or melt, damaging the oven.
- Hand clean inside door edge and the 1½" (3.8 cm) area around the inside oven cavity frame, being certain not to move or bend the gasket. This area does not get hot enough during self-clean to remove soil. Do not let water, cleaner, etc., enter slots on door frame. Use a damp cloth to clean this area.
- Wipe out any loose soil to reduce smoke and avoid damage. At high temperatures, foods react with porcelain. Staining, etching, pitting or faint white spots can result. This will not affect cooking performance.

How the Cycle Works:

IMPORTANT: The heating and cooling of porcelain on steel in the oven may result in discoloring, loss of gloss, hairline cracks and popping sounds.

The CustomClean™ Self Cleaning cycle uses very high temperatures to clean, burning residue to a powdery ash.

Once the oven has completely cooled, remove ash with a damp cloth. To avoid breaking the glass, do not apply a cool damp cloth to the inner door glass before it has completely cooled.

The oven lights will not work during the Self-Clean cycle.

On double oven models, only one oven can self-clean at a time. If one oven is self-cleaning, the other oven cannot be set or turned on.

NOTE: During self-clean the cooling fan motor(s) will operate at its highest speed to increase airflow to better exhaust the air through the oven vent(s). An increase of noise may be noticeable during and after the self-clean cycle until the oven cools.

To Self-Clean:

1. From the Modes or Setup menus, touch the SELF-CLEAN button.
2. If accessing Self Clean using the Setup Menu on double ovens, select the oven you want to clean: Upper or Lower, then touch NEXT.
3. Two messages appear on the screen:
 - Remove all oven racks and pans from the oven. Racks could discolor and not slide easily after a Self Clean cycle.
 - Clean oven frame and door frame with a nonabrasive cleaning agent because they are not exposed to cleaning temperatures. Do not clean gasket.
4. Touch NEXT.
5. Select the cleaning level by pressing the buttons: Light (2 hours), Medium (3 hours) or Heavy (4 hours).

NOTE: The oven will cool for an additional hour after cleaning is completed.

6. To set a delayed start, touch DELAY START. See "Delay Start" section for additional information.
7. Touch START. The door(s) will lock.

To Stop Self-Clean anytime:

Touch CANCEL OVEN (CANCEL UPPER or CANCEL LOWER on double oven models). If the oven temperature is too high, the door will remain locked. It will not unlock until the oven cools.

General Cleaning

IMPORTANT: Before cleaning, make sure all controls are off and the oven is cool. Always follow label instructions on cleaning products.

Soap, water and a soft cloth or sponge are suggested first unless otherwise noted.

STAINLESS STEEL (on some models)

To avoid damage to stainless steel surfaces, do not use soap-filled scouring pads, abrasive cleaners, Cooktop Cleaner, steel-wool pads, gritty washcloths or abrasive paper towels.

Cleaning Method:

Rub in direction of grain to avoid damage.

- Liquid detergent or all-purpose cleaner:
 - Rinse with clean water and dry with soft, lint-free cloth.
- Vinegar for hard water spots.

OVEN DOOR EXTERIOR

Cleaning Method:

- Glass cleaner and a soft cloth or sponge:
 - Apply glass cleaner to soft cloth or sponge, not directly on panel.

OVEN DOOR INTERIOR

Cleaning Method:

- Self-Clean cycle:
 - For optimal door cleaning result, wipe away any deposits with a damp sponge before running cycle.

CONTROL PANEL

Activate the Button Lock to avoid touch screen activation during cleaning. See "Button Lock" section.

To avoid damage to the control panel, do not use abrasive cleaners, steel-wool pads, gritty washcloths or abrasive paper towels.

Cleaning Method:

- Glass cleaner and soft cloth or sponge:
 - Apply glass cleaner to soft cloth or sponge, not directly on panel.

OVEN CAVITY

Do not use oven cleaners.

Food spills should be cleaned when oven cools. At high temperatures, foods react with porcelain and staining, etching, pitting or faint white spots can result.

Cleaning Method:

- Self-Clean cycle: See "CustomClean™ Self-Cleaning with Adjustable Levels and Auto Lock" first.

OVEN RACKS

Cleaning Method:

■ Self-Clean cycle:

See "CustomClean™ Self-Cleaning with Adjustable Levels and Auto Lock" first. Remove racks, or they will discolor and become difficult to slide. If this happens, a light coating of vegetable oil applied to the rack guides will help them slide.

■ Steel-wool pad

Oven Lights

The oven lights are 120-volt, 25-watt maximum halogen bulbs. They will come on when the oven door is opened. On double oven models, both upper and lower lights will come on when either door is opened. The oven lights will not work during the Self-Cleaning cycle. When the oven door is closed, touch LIGHT to turn light on or off.

To Replace:

Before replacing the bulb, make sure the oven is off and cool.

1. Disconnect power.
2. Remove glass light cover by grasping the front edge and pulling away from oven.
3. Remove bulb from socket.
4. Replace bulb, using tissue or wearing cotton gloves to handle bulb. To avoid damage or decreasing the life of the new bulb, do not touch bulb with bare fingers.
5. Replace bulb cover by snapping back into wall.
6. Reconnect power.

Oven Door

⚠ WARNING

Excessive Weight Hazard

Use two or more people to move and install oven doors.

Failure to do so can result in back or other injury.

IMPORTANT:

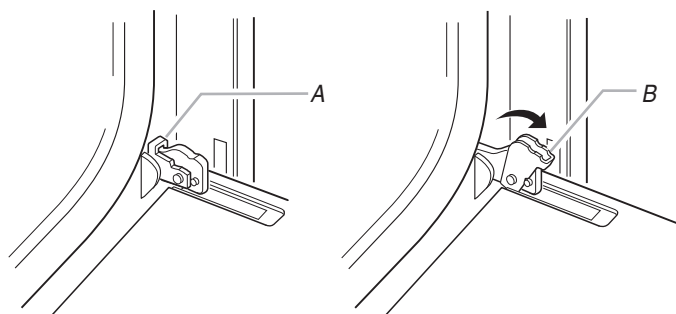
To avoid oven door glass breakage:

- Do not close the oven door if the racks are not fully inserted into the oven cavity or when bakeware extends past the front edge of an oven rack.
- Do not set objects on the glass surface of the oven door.
- Do not hit glass surfaces with bakeware or other objects.
- Do not wipe down glass surfaces until the oven has completely cooled.

For normal oven use, it is not suggested to remove the oven door. However, if removal is necessary, make sure the oven is off and cool. Then, follow these instructions. The oven door is heavy.

To Remove:

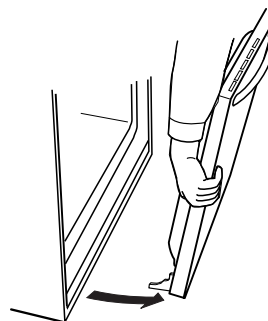
1. Open oven door to the fully open position
2. Locate the oven door latches in both corners of the oven door and rotate the latches forward to the unlocked position.



A. Oven door latch in locked position

B. Oven door latch in unlocked position

3. Grasp the edges of the oven door with both hands and close the oven door until it will no longer close. Lift and pull oven door toward you and remove.
4. Set the oven door(s) aside on a covered work surface.



To Replace:

1. Insert both hanger arms into the door.



2. Open the oven door.
You should hear a "click" as the door is set into place.
3. Move the latches back to the locked position. Check that the door is free to open and close. If it is not, repeat the removal and installation procedures.

TROUBLESHOOTING

Try the solutions suggested here first in order to avoid the cost of an unnecessary service call.

Nothing will operate

- **Has a household fuse blown, or has a circuit breaker tripped?**
Replace the fuse or reset the circuit breaker. If the problem continues, call an electrician.
- **Is the appliance wired properly?**
See Installation Instructions.

Oven will not operate

- **Is the electronic oven control set correctly?**
See "Electronic Oven Control" section.
- **Has a delay start been set?**
See "Delay Start" section.
- **Is the Button Lock set?**
See "Button/Screen Lock" in the "Setup Menu" section.
- **Is the Sabbath Mode set?**
See "Sabbath Mode" in the "Setup Menu" section.
- **On double oven models, is one oven self-cleaning?**
When one oven is self-cleaning the other oven cannot be set or turned on.
- **On double oven models, is the correct oven control being used?**
The lower control is for the lower oven, the upper control is for the upper oven.

Oven temperature too high or too low

- **Does the oven temperature calibration need adjustment?**
See "Temperature Calibration" in the "Setup Menu" section.

Self-Clean cycle will not operate

- **Is the oven door open?**
Close the oven door all the way.
- **Has the function been entered?**
See "CustomClean™ Self-Cleaning with Adjustable Levels and Auto Lock" section.

- **On some models, has a delay start Self-Clean cycle been set?**
See "CustomClean™ Self-Cleaning with Adjustable Levels and Auto Lock" section.
- **Has a delay start been set?**
See "Delay Start" section.
- **On double oven models, is one oven self-cleaning?**
When one oven is self-cleaning, the other oven cannot be set to self-clean.

Oven cooking results not what expected

- **Is the proper temperature set?**
Double-check the recipe in a reliable cookbook.
- **Is the proper oven temperature calibration set?**
See "Cooking Functions" section.
- **Was the oven preheated?**
See "Cooking Functions" section.
- **Are the racks positioned properly?**
See "Positioning Racks and Bakeware" section and the section for the cycle in use.
- **Is there proper air circulation around bakeware?**
See "Positioning Racks and Bakeware" section.
- **Is the batter evenly distributed in the pan?**
Check that batter is level in the pan.
- **Is the proper length of time being used?**
Adjust cooking time.
- **Has the oven door been opened while cooking?**
Oven peeking releases oven heat and can result in longer cooking times.
- **Are baked items too brown on the bottom?**
Move rack to higher position in the oven.
- **Are pie crust edges browning early?**
Use aluminum foil to cover the edge of the crust and/or reduce baking temperature.

ASSISTANCE OR SERVICE

Before calling for assistance or service, please check "Troubleshooting." It may save you the cost of a service call. If you still need help, follow the instructions below.

When calling, please know the purchase date and the complete model and serial number of your appliance. This information will help us to better respond to your request.

If you need replacement parts

If you need to order replacement parts, we recommend that you use only factory specified parts. These factory specified parts will fit right and work right because they are made with the same precision used to build every new JENN-AIR® appliance.

To locate factory specified parts in your area, call us or your nearest JENN-AIR designated service center.

In the U.S.A.

Call the Jenn-Air Customer eXperience Center toll free:
1-800-JENNAIR (1-800-536-6247)

Our consultants provide assistance with:

- Features and specification on our full line of appliances.
- Installation information.
- Use and maintenance procedures.
- Repair parts sales.
- Specialized customer assistance (Spanish speaking, hearing impaired, limited vision, etc.).
- Referrals to local dealers, repair parts distributors and service companies. Jenn-Air designated service technicians are trained to fulfill the product warranty and provide after-warranty service, anywhere in the United States.

To locate the Jenn-Air designated service company in your area, you can also look in your telephone directory Yellow Pages.

For further assistance:

If you need further assistance, you can write to Jenn-Air with any questions or concerns at:

Jenn-Air Brand Home Appliances
Customer eXperience Center
553 Benson Road
Benton Harbor, MI 49022-2692

Web address: www.jennair.com

Please include a daytime phone number in your correspondence.

In Canada

Call the Jenn-Air Customer eXperience Centre toll free:
1-800-807-6777

Our consultants provide assistance with:

- Use and maintenance procedures.
- Repair parts sales.
- Referrals to local dealers, repair parts distributors and service companies. Jenn-Air designated service technicians are trained to fulfill the product warranty and provide after-warranty service, anywhere in Canada.

For further assistance:

If you need further assistance, you can write to:

Jenn-Air Brand Home Appliances
Customer eXperience Centre
200 - 6750 Century Ave.
Mississauga, Ontario L5N 0B7

Web address: www.jennair.ca

Please include a daytime phone number in your correspondence.

Accessories

Broiler Pan Kit

Order Part Number W10123240

JENN-AIR® COOKING APPLIANCE WARRANTY

LIMITED WARRANTY

For one year from the date of purchase, when this major appliance is operated and maintained according to instructions attached to or furnished with the product, Jenn-Air brand of Whirlpool Corporation or Whirlpool Canada LP (hereafter "Jenn-Air") will pay for factory specified parts and repair labor to correct defects in materials or workmanship. Service must be provided by a Jenn-Air designated service company. This limited warranty is valid only in the United States or Canada and applies only when the major appliance is used in the country in which it was purchased. Outside the 50 United States and Canada, this limited warranty does not apply. Proof of original purchase date is required to obtain service under this limited warranty.

SECOND THROUGH FIFTH YEAR LIMITED WARRANTY ON CERTAIN COMPONENT PARTS

In the second through fifth years from the date of purchase, when this appliance is operated and maintained according to instructions attached to or furnished with the product, Jenn-Air will pay for factory specified parts for the following components (if applicable to the product) if defective in materials or workmanship:

- Electric element
- Touch Pad and microprocessor
- Glass ceramic cooktop: if due to thermal breakage
- Electronic controls
- Magnetron tube
- Sealed gas burners

ITEMS EXCLUDED FROM WARRANTY

This limited warranty does not cover:

1. Service calls to correct the installation of your major appliance, to instruct you on how to use your major appliance, to replace or repair house fuses, or to correct house wiring or plumbing.
2. Service calls to repair or replace appliance light bulbs, air filters or water filters. Consumable parts are excluded from warranty coverage.
3. Repairs when your major appliance is used for other than normal, single-family household use or when it is used in a manner that is contrary to published user or operator instructions and/or installation instructions.
4. Damage resulting from accident, alteration, misuse, abuse, fire, flood, acts of God, improper installation, installation not in accordance with electrical or plumbing codes, or use of consumables or cleaning products not approved by Jenn-Air.
5. Cosmetic damage, including scratches, dents, chips or other damage to the finish of your major appliance, unless such damage results from defects in materials or workmanship and is reported to Jenn-Air within 30 days from the date of purchase.
6. Any food loss due to refrigerator or freezer product failures.
7. Costs associated with the removal from your home of your major appliance for repairs. This major appliance is designed to be repaired in the home and only in-home service is covered by this warranty.
8. Repairs to parts or systems resulting from unauthorized modifications made to the appliance.
9. Expenses for travel and transportation for product service if your major appliance is located in a remote area where service by an authorized Jenn-Air servicer is not available.
10. The removal and reinstallation of your major appliance if it is installed in an inaccessible location or is not installed in accordance with published installation instructions.
11. Major appliances with original model/serial numbers that have been removed, altered or cannot be easily determined. This warranty is void if the factory applied serial number has been altered or removed from your major appliance.

The cost of repair or replacement under these excluded circumstances shall be borne by the customer.

DISCLAIMER OF IMPLIED WARRANTIES; LIMITATION OF REMEDIES

CUSTOMER'S SOLE AND EXCLUSIVE REMEDY UNDER THIS LIMITED WARRANTY SHALL BE PRODUCT REPAIR AS PROVIDED HEREIN. IMPLIED WARRANTIES, INCLUDING WARRANTIES OF MERCHANTABILITY OR FITNESS FOR A PARTICULAR PURPOSE, ARE LIMITED TO ONE YEAR OR THE SHORTEST PERIOD ALLOWED BY LAW. JENN-AIR SHALL NOT BE LIABLE FOR INCIDENTAL OR CONSEQUENTIAL DAMAGES. SOME STATES AND PROVINCES DO NOT ALLOW THE EXCLUSION OR LIMITATION OF INCIDENTAL OR CONSEQUENTIAL DAMAGES, OR LIMITATIONS ON THE DURATION OF IMPLIED WARRANTIES OF MERCHANTABILITY OR FITNESS, SO THESE EXCLUSIONS OR LIMITATIONS MAY NOT APPLY TO YOU. THIS WARRANTY GIVES YOU SPECIFIC LEGAL RIGHTS, AND YOU MAY ALSO HAVE OTHER RIGHTS WHICH VARY FROM STATE TO STATE OR PROVINCE TO PROVINCE.

If outside the 50 United States and Canada, contact your authorized Jenn-Air dealer to determine if another warranty applies.

If you need service, first see the "Troubleshooting" section of the Use & Care Guide. After checking "Troubleshooting," you may find additional help by checking the "Assistance or Service" section or by calling Jenn-Air. In the U.S.A., call **1-800-536-6247**. In Canada, call **1-800-807-6777**.

6/09

Keep this book and your sales slip together for future reference. You must provide proof of purchase or installation date for in-warranty service.

Write down the following information about your major appliance to better help you obtain assistance or service if you ever need it. You will need to know your complete model number and serial number. You can find this information on the model and serial number label located on the product.

Dealer name _____
Address _____
Phone number _____
Model number _____
Serial number _____
Purchase date _____

SÉCURITÉ DU FOUR

Votre sécurité et celle des autres est très importante.

Nous donnons de nombreux messages de sécurité importants dans ce manuel et sur votre appareil ménager. Assurez-vous de toujours lire tous les messages de sécurité et de vous y conformer.



Voici le symbole d'alerte de sécurité.

Ce symbole d'alerte de sécurité vous signale les dangers potentiels de décès et de blessures graves à vous et à d'autres.

Tous les messages de sécurité suivront le symbole d'alerte de sécurité et le mot "DANGER" ou "AVERTISSEMENT". Ces mots signifient :

⚠ DANGER

Risque possible de décès ou de blessure grave si vous ne suivez pas immédiatement les instructions.

⚠ AVERTISSEMENT

Risque possible de décès ou de blessure grave si vous ne suivez pas les instructions.

Tous les messages de sécurité vous diront quel est le danger potentiel et vous disent comment réduire le risque de blessure et ce qui peut se produire en cas de non-respect des instructions.

IMPORTANTES INSTRUCTIONS DE SÉCURITÉ

AVERTISSEMENT : Pour réduire le risque d'incendie, de choc électrique, de blessures corporelles ou de dommages lors de l'utilisation du four, il convient d'observer certaines précautions élémentaires dont les suivantes :

- Installation appropriée – S'assurer que le four est convenablement installé et relié à la terre par un technicien qualifié.
- Ne jamais utiliser le four pour chauffer ou réchauffer une pièce.
- Ne pas laisser les enfants seuls – Les enfants ne doivent pas être laissés seuls ou sans surveillance dans la pièce où le four est en service. Ne jamais laisser les enfants s'asseoir ou se tenir sur une partie quelconque du four.
- Porter des vêtements appropriés – Les vêtements amples ou détachés ne doivent jamais être portés pendant l'utilisation du four.
- Entretien par l'utilisateur – Ne pas réparer ni remplacer toute pièce du four si ce n'est pas spécifiquement recommandé dans le manuel. Toute autre opération d'entretien ou de réparation doit être confiée à un technicien qualifié.
- Ne pas utiliser d'eau pour éteindre un feu de graisse – Éteindre le feu ou les flammes ou utiliser des extincteurs polyvalents à produits chimiques secs ou un extincteur à mousse.
- Utiliser seulement des mitaines sèches de four – Des mitaines de four mouillées ou humides sur des surfaces chaudes peuvent provoquer des brûlures provenant de la vapeur. Ne pas laisser les mitaines de four toucher les éléments chauffants. Ne pas utiliser une serviette ou un tissu épais.
- Exercer une grande prudence lors de l'ouverture de la porte. Laisser l'air chaud ou la vapeur s'échapper avant d'enlever ou de remplacer un plat.
- Ne pas faire chauffer des contenants fermés – L'accumulation de pression peut causer une explosion du contenant et des blessures.

- Ne jamais obstruer les ouvertures des événements.
- Placement des grilles du four – Toujours placer les grilles du four à l'endroit désiré, lorsque le four est froid. Si la grille doit être déplacée lorsque le four est chaud, ne pas laisser des mitaines de four toucher l'élément chauffant dans le four.
- Remisage dans le four – Des matériaux inflammables ne doivent pas être remisés dans un four.
- NE PAS TOUCHER LES ÉLÉMENTS CHAUFFANTS OU LES SURFACES INTÉRIEURES DU FOUR – les éléments chauffants peuvent être chauds même s'ils ont une teinte foncée. Les surfaces intérieures de four deviennent assez chaudes pour causer des brûlures. Pendant et après l'utilisation, ne pas toucher ou laisser des vêtements ou autres matériaux inflammables venir en contact avec les éléments chauds ou les surfaces intérieures chaudes du four avant qu'ils aient eu assez de temps pour refroidir. D'autres surfaces du four peuvent devenir assez chaudes pour causer des brûlures. Ces surfaces comprennent les ouvertures de l'événement du four et la surface près de ces ouvertures, les portes du four, et les hublots des portes du four.

Fours autonettoyants :

- Ne pas nettoyer le joint de la porte – Le joint de la porte est essentiel pour l'étanchéité. Veiller à ne pas froter, endommager ou déplacer le joint.
- Ne pas utiliser les produits commerciaux de nettoyage de four – On ne doit pas utiliser un produit commercial de nettoyage de four ou un enduit de protection des surfaces internes du four quel qu'en soit le type, sur les surfaces du four ou les surfaces voisines.
- Nettoyer uniquement les pièces indiquées dans le manuel.
- Avant d'exécuter le programme d'autonettoyage du four, enlever la lèchefrite et sa grille et les autres ustensiles.

CONSERVEZ CES INSTRUCTIONS

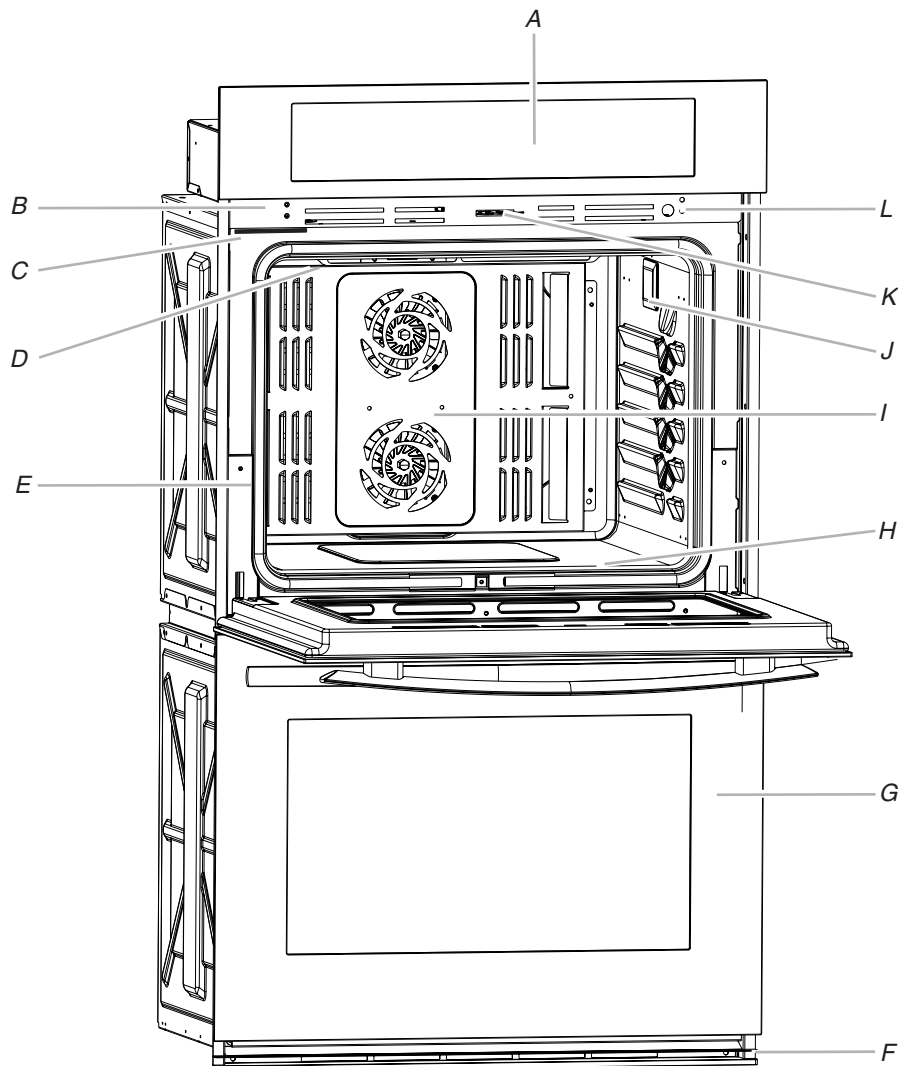
Avertissements de la proposition 65 de l'État de Californie :

AVERTISSEMENT : Ce produit contient au moins un produit chimique connu par l'État de Californie pour être à l'origine de cancers.

AVERTISSEMENT : Ce produit contient au moins un produit chimique connu par l'État de Californie pour être à l'origine de malformations et autres déficiences de naissance.

PIÈCES ET CARACTÉRISTIQUES

Ce manuel couvre différents modèles. Le four que vous avez acheté peut comporter tous les articles énumérés ou seulement certains d'entre eux. L'emplacement et l'apparence des caractéristiques illustrées peuvent ne pas correspondre à ceux de votre modèle.



- A. Commandes électroniques du four
- B. Évent du four
- C. Plaque signalétique des numéros de modèle et de série (sur l'évent central sous le tableau de commande)
- D. Éléments de cuisson au gril
- E. Joint d'étanchéité
- F. Évent inférieur

- G. Four inférieur (sur les modèles à double four)
- H. Élément de cuisson au four non visible
- I. Éléments de cuisson par convection et ventilateurs jumelés
- J. Lampes du four (côté gauche non illustré)
- K. Loquet de verrouillage de la porte du four
- L. Interrupteur de lampe du four

Pièces et caractéristiques non illustrées
Sonde thermométrique
Connecteur de la sonde thermométrique
Grilles

MODULE DE COMMANDE ÉLECTRONIQUE DU FOUR

Ce manuel couvre différents modèles. Le four que vous avez acheté peut comporter tous les articles énumérés ou seulement certains d'entre eux. Les emplacements et aspects des articles illustrés ci-dessous peuvent ne pas correspondre à ceux de votre modèle.

On peut accéder aux commandes du four au moyen du tableau de commande et de l'affichage tactile interactif.

REMARQUE : En raison de la sensibilité du tableau de commande, nous avons fourni des instructions spéciales pour le nettoyage du tableau ainsi que du tableau de commande tactile. Voir la section "Nettoyage général" pour les instructions de nettoyage.

Tableau de commande du four simple

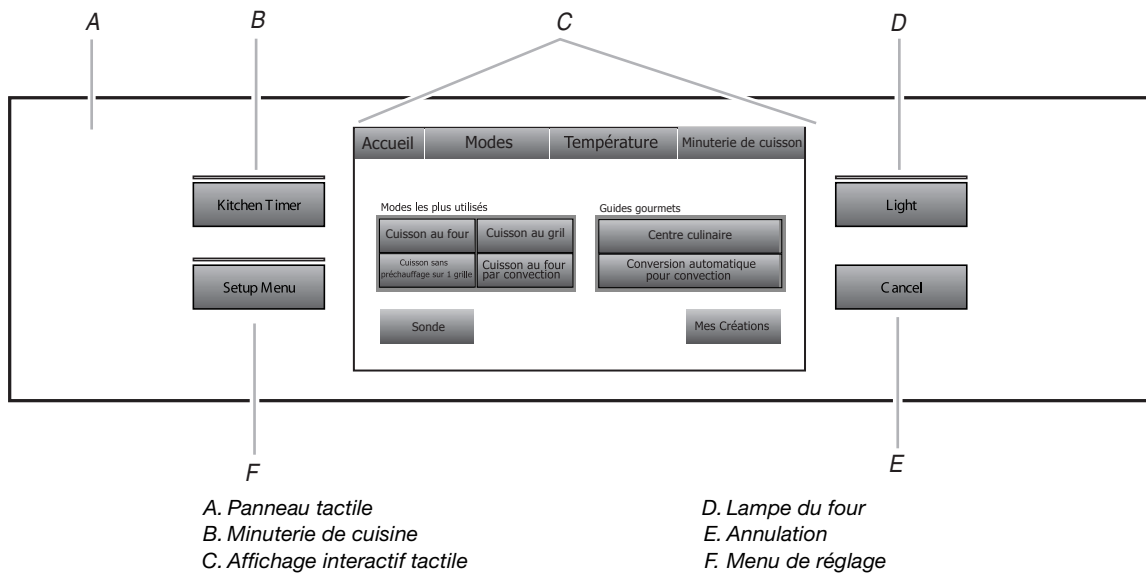


Tableau de commande du four double

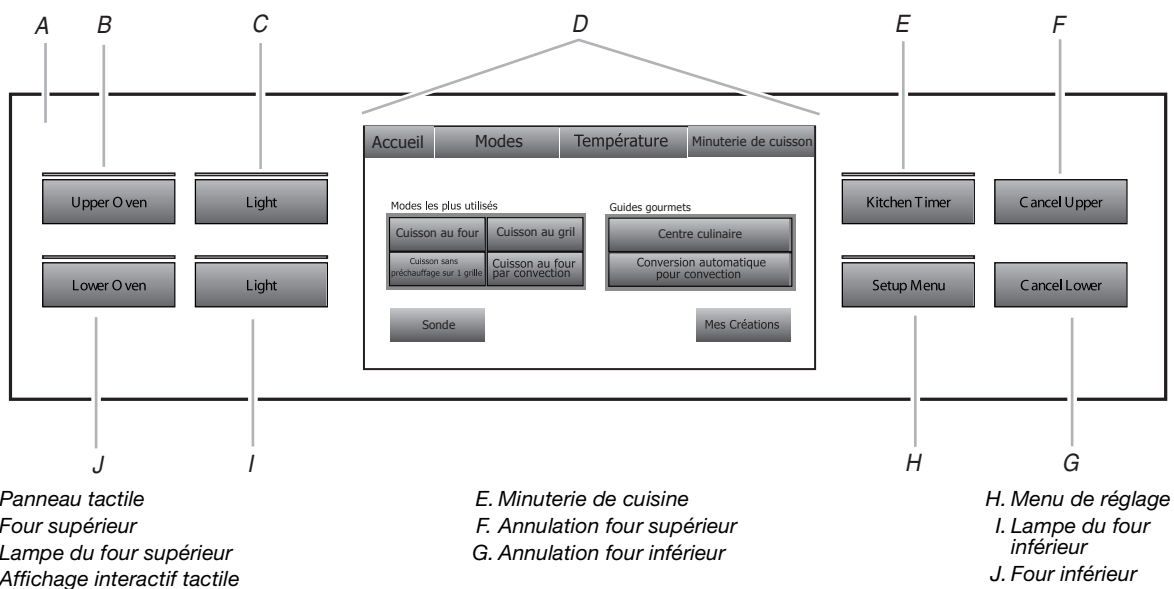


Tableau de commande

Le tableau de commande regroupe le menu de commande et les commandes des différentes fonctions. Les touches de commande sont très sensibles et il suffit d'un léger toucher pour les activer.

Pour plus d'information sur chaque commande, voir leurs sections respectives dans ce manuel.

Guide de bienvenue

Ceci apparaît sur l'affichage la première fois que le four est mis sous tension. Le Guide de bienvenue permet à l'utilisateur de régler le nouveau four.

1. Sélectionner la langue en appuyant sur English ou Français.
2. Sélectionner les unités de degré de température en appuyant sur Fahrenheit ou Celsius.

- Sélectionner les unités de l'horloge en appuyant sur AM/PM ou 24 HEURES (militaire).
- Sélectionner OUI ou NON pour l'heure avancée - respect de l'heure avancée.
- Appuyer sur SUIVANT.
- Entrer l'heure à l'aide du clavier numérique à l'écran.
- Appuyer sur AM ou PM et ANALOGUE ou DIGITALE pour le style d'horloge.
- Appuyer sur SUIVANT.
- Sélectionner la date du jour à l'aide du clavier à l'écran et utiliser les boutons "<" et ">" pour entrer le mois et l'année.

- Sélectionner SUIVANT.
- Utiliser les flèches de défilement vers le haut ou vers le bas pour sélectionner une apparence d'écran qui convienne au four.
- Alternier entre Orange et Bleu pour définir la couleur d'accentuation.
- Alternier entre MARCHÉ et ARRÊT pour obtenir ou non l'affichage des animations pendant la cuisson.
- Sélectionner TERMINÉ. Ceci sauvegarde les ajustements.
- Voir la section "Menu de réglage" pour des renseignements plus détaillés.

Afficheur

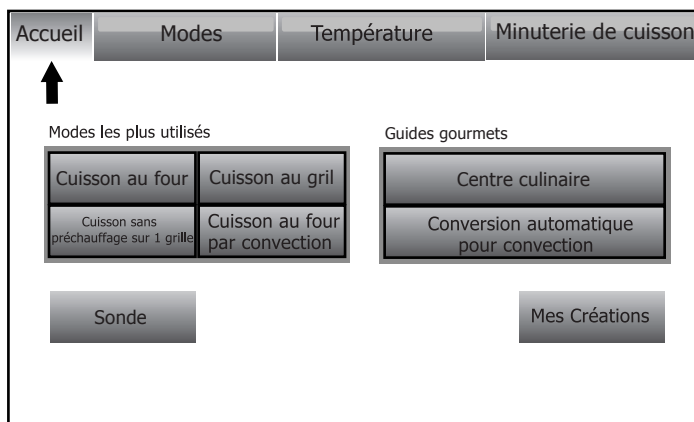
Lorsqu'on utilise le(s) four(s) (alors au mode actif), l'affichage indique l'horloge, le mode, la température du four et la minuterie si elle est réglée. Si la minuterie n'est pas réglée, on peut la régler à partir de cet écran.

Après environ 2 minutes d'inactivité, l'affichage passe au mode de veille et le panneau lumineux de l'affichage s'assombrit. Lorsque le four fonctionne, l'affichage reste actif. Durant la programmation, l'affichage indique les menus et sélections appropriées pour leur fonction de cuisson respective.

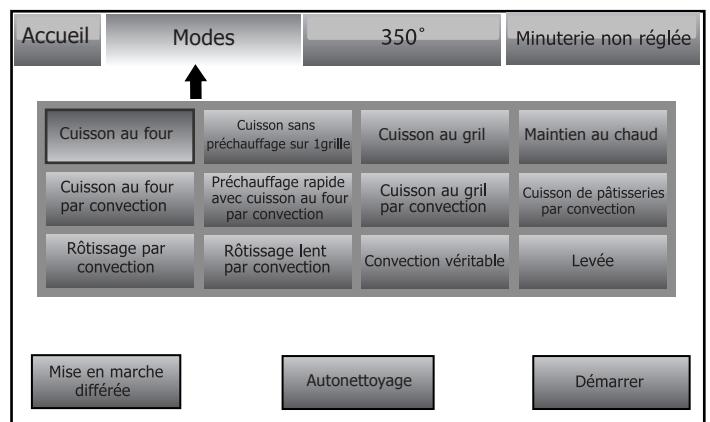
Afficheur tactile interactif

Toucher l'écran d'affichage tactile interactif (affichage de l'horloge) pour accéder à l'écran Menu d'accueil. À partir du menu Accueil et du menu Modes, tous les programmes de cuisson automatique peuvent être activés; tous les programmes de cuisson manuels peuvent être programmés; les réglages peuvent être ajustés et les instructions, les directives de préparation et les conseils sont accessibles.

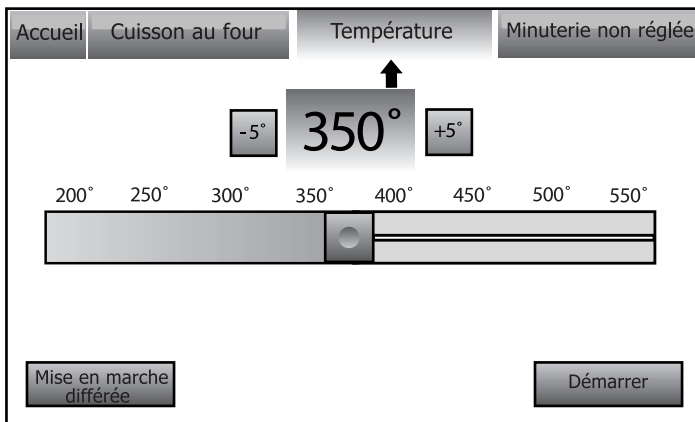
Écran du menu Accueil



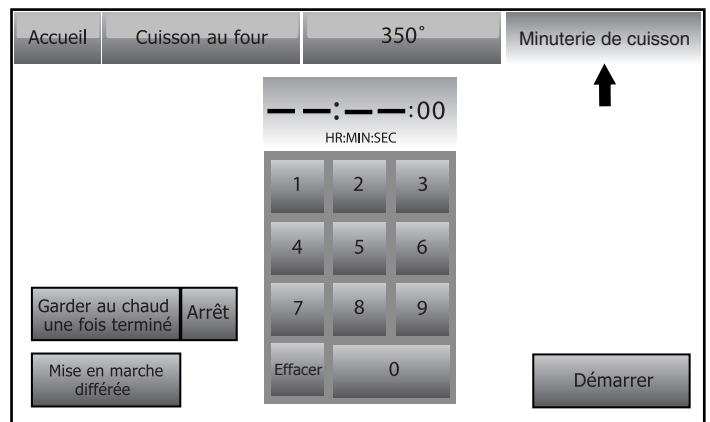
Écran du menu Modes



Écran du menu Température



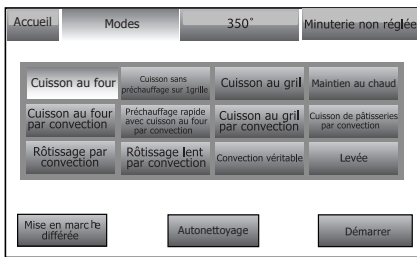
Écran du menu Durée de cuisson



Démonstration de menu

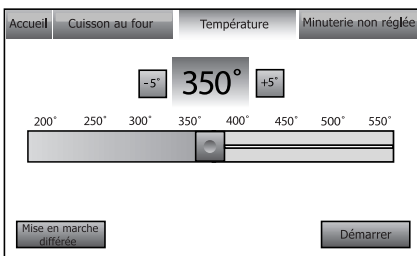
Les instructions suivantes expliquent comment programmer un programme de cuisson au four, à partir du menu Modes.

1. Appuyer sur l'onglet MODES pour passer au menu Modes.
2. À partir du menu Modes, appuyer sur CUISSON AU FOUR.

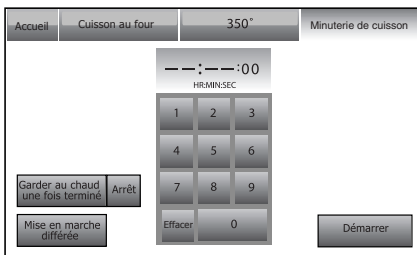


3. Appuyer sur la touche TEMPÉRATURE pour passer à l'écran Température.

Utiliser le curseur pour entrer la température de cuisson souhaitée ou appuyer sur les boutons -5°F (-1°C) ou +5°F (+1°C). La température doit se situer entre 170°F (77°C) et 550°F (288°C).



4. Appuyer sur DÉMARRER pour commencer le préchauffage du four.
- OU**
5. Si l'on souhaite programmer la durée de cuisson, appuyer sur MINUTERIE NON RÉGLÉE pour entrer dans l'écran Durée de cuisson. Entrer une durée de cuisson à l'aide du clavier numérique à l'écran pour que la minuterie avertisse l'utilisateur de la fin de la cuisson. La durée ne peut pas dépasser 12 h. Le four s'éteindra à la fin de la durée de cuisson.



6. (Facultatif) Pour régler une mise en marche différée, appuyer sur MISE EN MARCHÉ DIFFÉRÉE à partir de l'écran Durée de cuisson et régler l'heure souhaitée. On peut aussi régler une mise en marche différée en appuyant sur MISE EN MARCHÉ DIFFÉRÉE à partir de l'onglet Température. Voir la section "Mise en marche différée" pour plus de renseignements.
7. (Facultatif) Pour garder les aliments au chaud une fois la minuterie de cuisson programmée écoulee, ACTIVER la fonction de Maintien au chaud à partir de l'écran Durée de cuisson. Voir la section "Option Keep Warm™ (maintien au chaud)" pour plus de renseignements.
8. Appuyer sur DÉMARRER pour commencer le préchauffage du four.

9. Placer les aliments dans le four lorsque le signal sonore de préchauffage retentit. L'écran indique "Insérer les aliments et démarrer la minuterie" si la minuterie est réglée. Si la minuterie n'est pas réglée, "Insérer les aliments et démarrer la minuterie si désiré" s'affiche. Si une mise en marche différée est programmée, placer les aliments dans le four au moment du réglage du mode.

AVERTISSEMENT

Risque d'empoisonnement alimentaire

Ne pas laisser des aliments dans un four plus d'une heure avant ou après la cuisson.

Le non-respect de cette instruction peut causer un empoisonnement alimentaire ou une maladie.

REMARQUE : Ne pas utiliser la mise en marche différée pour des aliments nécessitant le préchauffage du four, comme les gâteaux, les biscuits et le pain. Si l'on place les aliments dans le four durant le préchauffage, ils pourraient être trop cuits.

10. Pour changer de mode, de température ou de durée de cuisson alors que le four est actif, appuyer sur l'onglet approprié, faire une nouvelle sélection et sélectionner OK.
11. Appuyer sur CANCEL (annulation) (CANCEL UPPER [annulation four supérieur] ou CANCEL LOWER [annulation four inférieur] sur les modèles à double four) pour éteindre le four.
12. Si la minuterie de cuisson était réglée, le four signale le moment où la minuterie est écoulee. Si la fonction Garder au chaud n'a pas été précédemment réglée, elle peut être réglée une fois la minuterie de cuisson écoulee.

Minuterie de cuisine

La minuterie de cuisine est une minuterie indépendante sans rapport avec les minuterie de cuisson.

1. Appuyer sur le bouton KITCHEN TIMER (minuterie de cuisine) à tout moment selon le besoin.
 2. Entrer l'heure souhaitée (- : - : - : -) à l'aide du clavier numérique à l'écran.
 3. Appuyer sur EFFACER pour effacer la minuterie et la ramener à (00:00:00).
 4. Appuyer sur la touche DÉMARRER MINUTERIE pour activer cette fonction.
- Lorsque la minuterie de cuisine est en marche, la minuterie est minimisée dans la barre située à droite de l'écran.
5. Pour ajuster la minuterie de cuisine pendant qu'elle fonctionne, appuyer sur AJUSTER et sélectionner "Annulation" ou utiliser le clavier numérique à l'écran pour entrer une nouvelle durée.
 6. Si l'on appuie sur "Annulation", la minuterie est annulée et le panneau dissimulé.
 7. Lorsque la minuterie de cuisine est terminée, un bip retentit.
 8. Si l'on appuie sur FERMÉ, la minuterie est minimisée à droite de l'écran.
 9. Une fois la durée écoulee, il est possible de rajouter du temps en appuyant sur le bouton Ajouter du temps. Utiliser le clavier numérique à l'écran pour entrer la durée supplémentaire.
 10. Pour supprimer le tableau, appuyer sur OK.

Menu de réglage

Le four offre la possibilité de contrôler plusieurs des réglages par défaut et d'accéder à des informations au moyen de l'affichage à l'écran. Parmi ceux-ci : Verrouillage boutons/écran, Verrouiller automatiquement après chaque utilisation, Horloge, Date, Volume sonore, Thème écran, Luminosité écran, Langue, Unités de température, Autonettoyage, Mode Sabbat, Calibrage température, Calibrage écran tactile, Restaurer le paramétrage usine pour tous les réglages, et Information service.

REMARQUE : Si le four est en cours d'utilisation, le menu de réglage est désactivé.

Pour accéder au menu de réglage :

1. Appuyer sur MENU DE RÉGLAGE.
2. Utiliser les flèches de défilement vers le haut ou vers le bas à droite de l'écran pour visualiser et accéder aux réglages.

Verrouillage boutons/écran

La fonction de verrouillage des boutons/de l'écran permet le verrouillage de tous les boutons et de l'écran. Ce réglage est automatiquement désactivé si la minuterie de cuisine fonctionne ou que l'on utilise le four.

Appuyer sur DÉVERROUILLÉ à droite de l'écran, à côté de "Verrouillage boutons/écran" pour verrouiller. Faire glisser la barre vers le haut sur l'écran principal pour déverrouiller les boutons/l'écran.

Verrouiller automatiquement après chaque utilisation

Appuyer sur MARCHE/ARRÊT à droite de l'écran, à côté de l'option "Verrouiller automatiquement après chaque utilisation" dans le menu de réglage pour activer ou désactiver cette fonction.

Horloge

1. À partir du menu de réglage, appuyer sur le bouton situé à côté de Horloge.
2. Entrer la durée à l'aide du clavier numérique à l'écran. Il faut entrer une durée valide pour sauvegarder les réglages.
3. Si l'on appuie sur Effacer, l'horloge s'efface et indique --:--.
4. Choisir AM, PM, ou 24 heures.
5. Appuyer sur MARCHE/ARRÊT pour activer ou non l'heure avancée automatique. Lorsque cette fonction est en "Marche", l'horloge est automatiquement réglée lorsque l'heure doit être avancée.
6. Pour le style d'horloge, choisir entre ANALOGUE ou DIGITALE.
7. Appuyer sur SAUVEGARDER. Ceci ramène l'utilisateur à l'écran Horloge.

Date

1. À partir du menu de réglage, appuyer sur le bouton situé à droite de l'écran, à côté de Date.
2. Entrer le jour à l'aide du clavier à l'écran.
3. Choisir le mois à l'aide des boutons "<" ou ">".
4. Choisir l'année à l'aide des boutons "<" ou ">".
5. Appuyer sur SAUVEGARDER. Ceci ramène l'utilisateur à l'écran Horloge.

Volume sonore

1. À partir du menu de réglage, appuyer sur le bouton situé à droite de l'écran, à côté de Volume sonore.
2. Ajuster la minuterie, la pression des boutons ou le son des avertissements; utiliser la barre de défilement pour entrer les niveaux sonores souhaités.
3. Appuyer sur MARCHE/ARRÊT pour alterner entre les réglages pour les sons de mise en marche et d'extinction. Lorsque le four est en "Marche", il émet un son lorsqu'il entre au mode de veille et lorsqu'il en sort. Lorsqu'il est en position "Arrêt", aucun son ne retentit.
4. Si l'on appuie sur le bouton Cancel (annulation), les réglages sonores passent au niveau précédemment réglé.
5. Appuyer sur SAUVEGARDER. Ceci ramène l'utilisateur à l'écran Horloge.

Thème d'écran

1. À partir du menu de réglage, appuyer sur le bouton situé à droite de l'écran, à côté de Thème d'écran.
2. Utiliser les flèches de défilement vers le haut ou vers le bas pour sélectionner une apparence d'écran qui convienne au four.
3. Sélectionner Orange ou Bleu pour définir la couleur d'accentuation, lorsque c'est possible.
4. Appuyer sur SAUVEGARDER. Ceci ramène l'utilisateur à l'écran Horloge. Le message suivant apparaît : "Vous avez sélectionné un nouveau thème. Le four se réinitialisera dans un moment. Veuillez patienter." Le redémarrage du four avec ses nouveaux réglages prendra environ 1 minute.

Luminosité de l'écran

1. À partir du menu de réglage, appuyer sur le bouton situé à droite de l'écran, à côté de Luminosité d'écran.
2. Utiliser la barre de défilement pour régler la luminosité de l'écran.
3. Sélectionner "Assombrir l'écran" ou "Éteindre l'écran" pour choisir son mode d'utilisation lorsque le four a été en veille pendant 5 minutes.
4. Si l'on appuie sur le bouton Cancel (annulation), l'écran de luminosité passe au niveau précédemment réglé et ramène l'utilisateur à l'écran d'affichage de l'horloge.
5. Appuyer sur SAUVEGARDER. Ceci ramène l'utilisateur à l'écran Horloge.

Langue

1. À partir du menu de réglage, appuyer sur le bouton situé à droite de l'écran, à côté de Langue.
2. À partir du menu Langue, choisir la langue : English ou Français.
3. Si l'on appuie sur le bouton Cancel (annulation), la langue revient au réglage précédent.
4. Appuyer sur SAUVEGARDER. Ceci ramène l'utilisateur à l'écran Horloge.

Unités de température

1. À partir du menu de réglage, appuyer sur le bouton situé à droite de l'écran, à côté de Unités de température.
2. Sélectionner une unité de température : Fahrenheit ou Celsius. Alternner entre °F/°C.
3. Ceci laisse l'utilisateur au menu de réglage.

Autonettoyage

Ce réglage est désactivé pendant que l'on utilise le four. Voir la section "Autonettoyage CustomClean™ avec niveaux réglables et verrouillage automatique".

Mode Sabbat

Le mode Sabbat permet au four de rester sur un réglage de cuisson au four jusqu'à ce qu'on l'éteigne. Un mode Sabbat minuté peut également être programmé pour garder le four allumé seulement pendant une partie du Sabbat. Lorsque le mode Sabbat est réglé, seules les touches numériques et la touche de mise en marche fonctionnent. Aucun signal sonore ne retentit et l'afficheur n'indique pas de messages et n'affiche pas les changements de température.

Lorsque la porte du four est ouverte ou fermée, la lampe du four ne s'allume ou ne s'éteint pas et les éléments de chauffage ne s'allument ou ne s'éteignent pas immédiatement.

Si une panne de courant se produit lorsque le mode Sabbat est programmé, le(s) four(s) restera/resteront au mode Sabbat mais ne sera/seront plus en mode actif de cuisson. Lorsque le courant est rétabli, l'affichage indique initialement l'écran de mise en marche de Jenn-Air. Après une courte période d'attente, l'affichage retourne à l'écran d'activation du mode Sabbat. Appuyer sur Réglages de cuisson pour revenir au menu de réglage du mode Sabbat ou appuyer sur Cancel (annulation) pour revenir au mode de fonctionnement normal (mode non Sabbat, pas de cuisson).

⚠ AVERTISSEMENT



Risque de brûlures

Utiliser des mitaines de four pour retirer la sonde thermométrique.

Ne pas toucher l'élément du gril.

Le non-respect de ces instructions peut causer des brûlures.

REMARQUE : Si l'on appuie sur Mode Sabbat alors que la sonde cuisson est programmée, un message apparaît indiquant "Sonde non insérée". Retirer la sonde de cuisson et appuyer sur SUIVANT pour entrer au mode Sabbat. Appuyer sur CANCEL (annulation) pour revenir au mode de cuisson au four.

Utilisation du mode Sabbat :

Le mode Sabbat doit être activé chaque fois qu'il est utilisé.

1. Sur le tableau de commande, appuyer sur Setup Menu (menu de réglage).
2. À partir du menu de réglage, utiliser les flèches de défilement vers le haut ou vers le bas jusqu'à ce que Mode Sabbat apparaisse et appuyer sur le bouton "Suivant" à droite de l'écran.
3. À partir du menu Mode Sabbat, lire les instructions à l'écran et appuyer sur Arrêt pour activer le mode Sabbat.

REMARQUE : Le mode Sabbat désactive l'arrêt au bout de douze heures. Toutes les lumières et les affichages sont désactivés de sorte qu'il n'y ait aucune activité visible lorsque l'on ouvre la porte du four.

4. Sur les fours doubles, sélectionner la cavité à régler en appuyant sur la touche de réglage rapide située à côté de Upper (four supérieur) ou Lower (four inférieur).
5. Ajuster la température et la durée de cuisson en appuyant sur le bouton Réglages de cuisson.
6. Sélectionner la température du four. Utiliser le curseur pour entrer la température souhaitée ou appuyer sur les boutons - 5°F (-1°C) ou + 5°F (+1°C) pour augmenter ou diminuer la température. La température doit se situer entre 170°F (77°F) et 550°F (288°C).
7. Appuyer sur SUIVANT.
8. Si désiré, régler la minuterie de durée de cuisson à l'aide du clavier numérique à l'écran. La durée ne peut pas dépasser 12 h. La cavité du four cesse de chauffer une fois la minuterie écoulée.
9. Appuyer sur SUIVANT.
10. Sur les fours doubles, répéter les étapes 3 à 9 pour régler la deuxième cavité si désiré.

⚠ AVERTISSEMENT

Risque d'empoisonnement alimentaire

Ne pas laisser des aliments dans un four plus d'une heure avant ou après la cuisson.

Le non-respect de cette instruction peut causer un empoisonnement alimentaire ou une maladie.

11. (Facultatif) Pour régler une mise en marche différée, appuyer sur MISE EN MARCHÉ DIFFÉRÉE et régler l'heure souhaitée. Voir la section "Mise en marche différée" pour plus de renseignements.
12. Appuyer sur DÉMARRER pour commencer le préchauffage du four.
13. Appuyer sur CANCEL OVEN (annulation four) (CANCEL UPPER [annulation four supérieur] ou CANCEL LOWER [annulation four inférieur] sur les modèles à double four) pour éteindre le four.

Désactivation du mode Sabbat :

Le mode Sabbat est automatiquement désactivé une fois la minuterie de cuisson écoulée; il peut aussi être désactivé en appuyant sur Cancel (annulation). "Mode Sabbat : ARRÊT" apparaît sur l'écran. Pour programmer un nouveau programme, suivre les étapes 2 à 11 de la section "Utilisation du mode Sabbat". Appuyer sur OK pour revenir à l'écran Horloge.

Pour changer la température :

Appuyer une fois sur +25° ou -25° pour chaque modification que l'on souhaite effectuer par tranche de 25 degrés. Par exemple, si le four est actuellement réglé à 350 degrés, appuyer 3 fois sur le bouton +25° pour modifier la température et l'amener à 425 degrés.

REMARQUE : Sur les fours doubles, si les deux fours fonctionnent au mode Sabbat, la température de chaque four peut être modifiée indépendamment de l'autre. Appuyer sur les signes +25° ou -25° du four pour lequel on souhaite modifier la température. Cet affichage se poursuit pour indiquer la température d'origine; il ne changera pas.

Calibrage de la température

1. À partir du menu de réglage, appuyer sur le bouton situé à droite de l'écran, à côté de Calibrage température.
2. Sur les modèles à double four, sélectionner le four à calibrer : supérieur ou inférieur.
3. Appuyer sur SUIVANT.
4. Sélectionner l'écart de température. Appuyer sur le bouton -1° si le four semble trop chaud ou sur le bouton +1° si le four semble trop froid. La température du four peut être ajustée de +/- 35°F.
5. Appuyer sur SAUVEGARDER; le réglage est effectué.
ou
6. Appuyer sur OUTIL DE CALIBRAGE pour régler automatiquement l'écart précis pour obtenir un rendement maximal du four.
7. L'affichage indique : "Pour utiliser la fonction Outil de calibrage, placer un thermomètre à four au milieu du four."
8. Appuyer sur SUIVANT. (Après avoir appuyé sur "Suivant", le four commence à chauffer à une température standard.)
9. Laisser le four chauffer. Ce processus peut prendre plusieurs minutes.
10. Lorsque le message "Four prêt" apparaît, ouvrir la porte du four et lire la température sur le thermomètre de four.
11. Entrer la température exacte. Utiliser les boutons -1° ou +1° pour diminuer ou augmenter la valeur d'écart par 1 degré.
12. Appuyer sur SUIVANT.
13. L'écart de température est calculé.
14. Si l'on appuie sur CANCEL (annulation), le calibrage de température est annulé.
15. Appuyer sur SAUVEGARDER. Ceci ramène l'utilisateur au menu de réglage.

Calibrage de l'écran tactile

IMPORTANT : S'il est difficile d'appuyer sur les boutons à l'écran, il faudra peut-être calibrer l'écran tactile. Ce processus est recommandé lorsque le four est installé sous un plan de travail.

1. À partir du menu de réglage, appuyer sur le bouton situé à droite de l'écran, à côté de Calibrage écran tactile.
2. Il faudra appuyer sur les 3 cibles pour effectuer le calibrage.
3. Appuyer sur SUIVANT.
4. Appuyer sur le centre des cibles jusqu'à ce que l'affichage indique de les relâcher.
5. Tester le calibrage en déplaçant le cercle autour de l'écran. S'assurer de bien atteindre tous les coins.
6. Appuyer sur ESSAYER À NOUVEAU pour effectuer de nouveau le calibrage.
7. Si l'on appuie sur CANCEL (annulation), le calibrage de l'écran tactile est annulé.
8. Appuyer sur SAUVEGARDER. Ceci ramène l'utilisateur à l'écran Horloge.

Restaurer le paramétrage usine pour tous les réglages

1. À partir du menu de réglage, appuyer sur le bouton situé à droite de l'écran, à côté de Restaurer le paramétrage usine pour tous les réglages.
2. Appuyer sur RÉINITIALISER ou CANCEL (annulation).
3. Si l'on appuie sur Réinitialiser, les réglages suivants seront perdus : Mes créations, Date/Heure, Langue et les modes/aliments les plus utilisés. Le guide de bienvenue apparaît pour aider l'utilisateur à réinitialiser ces réglages.

Informations de service

Pour plus de renseignements, voir la section "Assistance ou service".

1. À partir du menu de réglage, appuyer sur le bouton situé à droite de l'écran, à côté d'Information service.
2. Choisir MARCHÉ ou ARRÊT pour le mode Démo. Lorsque le mode Démo est activé, le four ne chauffe pas et "Mode Démo" apparaît à gauche de l'écran.
3. Si l'on appuie CANCEL (annulation), l'Information service revient au réglage effectué par défaut.
4. Appuyer sur SAUVEGARDER. Ceci ramène l'utilisateur à l'écran Horloge.

UTILISATION DU FOUR

Des odeurs et de la fumée sont normales lorsque le four est utilisé les premières fois, ou lorsqu'il est très sale.

Lors de l'utilisation du four, les éléments de chauffage ne demeurent pas actifs mais fonctionnent par intermittence lors du fonctionnement du four.

IMPORTANT : La santé de certains oiseaux est très sensible aux émanations de fumée. L'exposition aux émanations peut entraîner la mort de certains oiseaux. Toujours déplacer les oiseaux dans une autre pièce fermée et bien aérée.

Papier d'aluminium

IMPORTANT : Pour éviter des dommages permanents au fini du fond du four, ne pas recouvrir le fond du four avec du papier d'aluminium ou un revêtement quelconque.

- Pour assurer une bonne circulation de l'air et des résultats de cuisson optimaux, ne pas recouvrir la grille entière de papier d'aluminium.
- Pour récupérer les renversements, placer une feuille de papier d'aluminium sur la grille sur laquelle le plat est placé. Veiller à ce que la feuille d'aluminium dépasse d'au moins ½" (1,3 cm) tout autour du plat et à ce que les bords soient relevés.

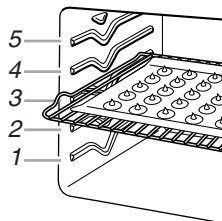
Positionnement des grilles et des ustensiles de cuisson au four

IMPORTANT : Afin d'éviter des dommages permanents au fini en porcelaine, ne pas placer d'aliments ou d'ustensiles de cuisson au four directement sur la porte ou sur le fond du four.

GRILLES

- Placer les grilles avant d'allumer le four.
- Ne pas installer les grilles lorsque des ustensiles de cuisson se trouvent dessus.
- S'assurer que les grilles sont d'aplomb.

Selon le modèle du four, les grilles peuvent être plates, dénivelées et/ou déployantes. Si "f" se trouve après le chiffre indiquant la position de la grille, on doit utiliser la grille plate. Un "o" après un chiffre indiquant la position d'une grille indique que l'on doit utiliser la grille dénivelée. Un "r" indique que l'on doit utiliser la grille déployante. Par exemple : 1o, 3f, 5r indiquent que l'on doit utiliser la grille dénivelée pour la position de grille 1, la grille plate pour la position 3 et la grille déployante pour la position 5. Se reporter à la section correspondant au mode utilisé pour obtenir les recommandations spécifiques à chaque grille.



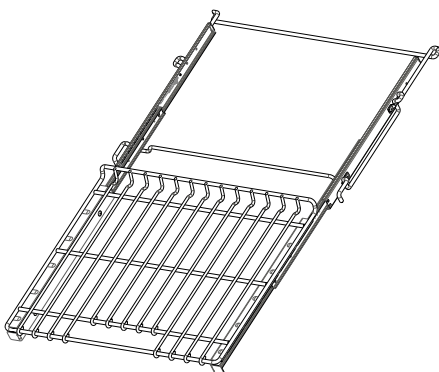
USTENSILES DE CUISSON AU FOUR

L'air chaud doit pouvoir circuler autour de l'aliment pour le cuire uniformément. Laisser 2" (5,0 cm) entre les ustensiles de cuisson et les parois du four.

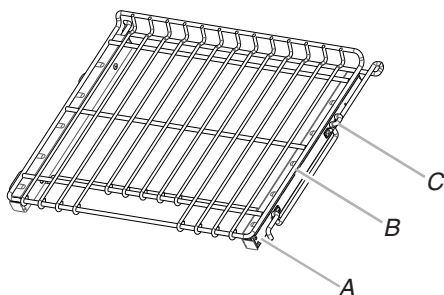
Grille déployante

Cette grille déployante offre un accès facile à l'utilisateur pour le positionnement et le retrait des aliments. La grille déployante s'adapte à toutes les positions de grille.

Position déployée



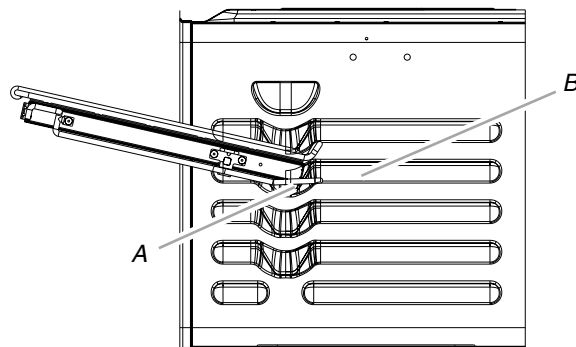
Position rétractée et emboîtée



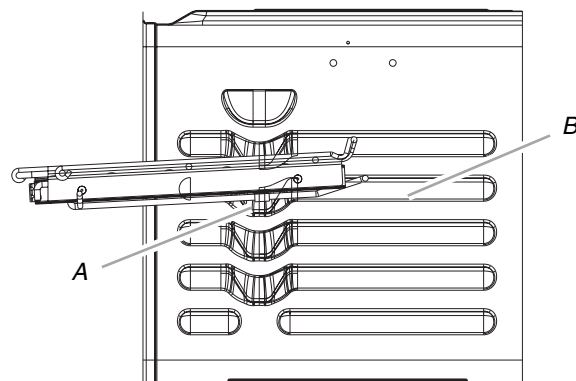
A. Glissières
B. Grille coulissante
C. Accroche centrale

Insertion de la grille déployante

1. Incliner la grille vers le haut et l'insérer dans le rebord arrière dans l'encoche en "V" des rails de grille situés dans la cavité du four.
2. Garder la grille inclinée et l'enfoncer jusqu'à ce que le rebord arrière des glissières (A) dépasse l'encoche inférieure en "V".
3. Incliner la grille vers le bas et continuer de la faire glisser doucement jusqu'à ce que l'attache centrale (C) dépasse l'encoche en "V".
4. Soulever la grille pour la replacer en position horizontale et la repousser doucement vers le fond du four jusqu'à ce que le rebord arrière de la glissière retombe et se mette en place.
5. Tirer la grille légèrement vers l'avant jusqu'à ce que le rebord avant retombe et que les glissières se trouvent sur le rail de glissière.



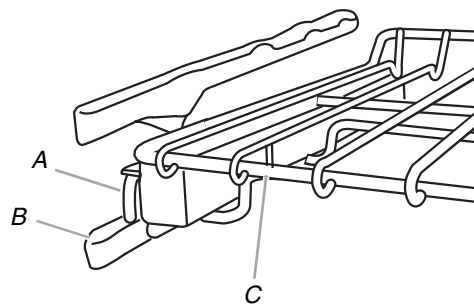
A. Ouverture en "V"
B. Glissière de grille



A. Ouverture en "V"
B. Glissière de grille

Retrait de la grille déployante

1. Enfoncer la grille coulissante complètement jusqu'à ce qu'elle soit rétractée et emboîtée sur les glissières.



A. Grille coulissante
B. Glissières
C. Grille

2. Avec les 2 mains, soulever le rebord avant de la grille. Repousser doucement la grille vers la paroi arrière du four de façon à ce que le rebord avant de la grille coulissante repose sur les rails de glissières situés de chaque côté de la cavité du four. Le rebord avant de la grille doit se trouver plus haut que le rebord arrière.
3. À 2 mains, soulever l'arrière de la grille de façon à ce que l'avant et l'arrière soient horizontaux sur les rails de glissières.
4. Tirer la grille vers l'extérieur.

Afin d'éviter d'endommager les grilles coulissantes, ne pas placer plus de 25 lb (11,4 kg) sur la grille.

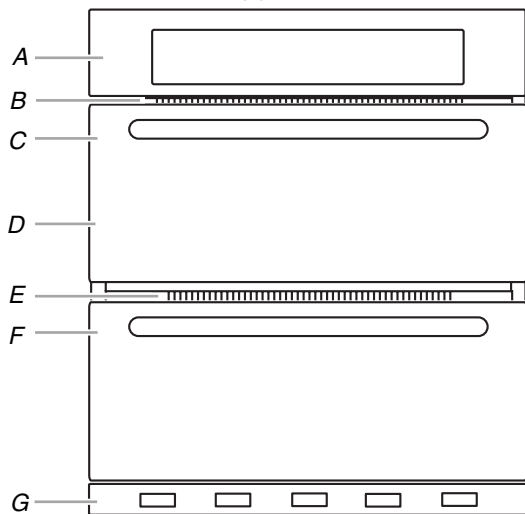
Ne pas nettoyer la grille coulissante au lave-vaisselle. Ceci pourrait enlever le lubrifiant de la grille et affecter la capacité de celle-ci à glisser.

Voir la section "Nettoyage général" pour plus de renseignements.

Thermomètre à viande

Sur les modèles sans sonde thermométrique, se servir d'un thermomètre à viande pour vérifier si la viande, la volaille et le poisson ont atteint le degré de cuisson désiré. C'est la température interne qui indique le degré de cuisson et non l'apparence. Il n'y a pas de thermomètre à viande fourni avec cet appareil. Suivre les instructions du fabricant pour l'emploi d'un thermomètre à viande.

Évent(s) du four



Four simple et double

- A. Tableau de commande
- B. Évent du four
- C. Four simple ou four double supérieur
- G. Évent inférieur

Four double

- D. Four supérieur
- E. Évent du four
- F. Four inférieur
- G. Évent inférieur

L'évent/les événements du four ne doit/doivent être ni obstrué(s) ni couvert(s), car il(s) permet(tent) l'introduction d'air frais dans le système de refroidissement. D'autre part, l'évent inférieur ne doit pas être obstrué ni recouvert car il permet l'introduction d'air frais dans le système de refroidissement et l'évacuation de l'air chaud en provenance du système de refroidissement. Le fait d'obstruer ou de couvrir les événements nuit à la circulation adéquate de l'air et affecte la cuisson, le nettoyage et le processus de refroidissement.

Fonctions de cuisson

L'onglet Accueil permet un accès facile à Modes les plus utilisés, Guides gourmets, Sonde et Mes créations.

1. Appuyer sur l'onglet MODES pour passer au menu Modes.
2. À partir du menu Modes, choisir l'une des options suivantes : Cuisson au four, Cuisson sans préchauffage sur 1 grille, Cuisson au gril, Maintien au chaud, Cuisson au four par convection, Cuisson au four par convection avec préchauffage rapide, Cuisson au gril par convection, Cuisson de pâtisseries par convection, Rôtissage par convection, Rôtissage lent par convection, Convection véritable et Levée.
3. Après avoir appuyé sur le mode désiré, vous passerez à l'écran de température ou appuyez sur l'onglet TEMPÉRATURE pour passer à cet écran.
4. La température réglée par défaut et sa plage sont indiquées dans le tableau suivant. Pour modifier la température, déplacer le curseur pour entrer la température de cuisson souhaitée ou appuyer sur les boutons -5°F (-1°C) ou +5°F (+1°C).

Mode	Température par défaut	Plage
Cuisson au four	350°F (177°C)	170 à 550°F (77 à 288°C)
Cuisson sans préchauffage sur 1 grille	350°F (177°C)	170 à 550°F (77 à 288°C)
Cuisson au gril	550°F (288°C)	450 à 550°F (232 à 238°C)
Maint. chaud	170°F (77°C)	150 à 200°F (66 à 93°C)
Cuisson au four par conv.	325°F (163°C)	170 à 550°F (77 à 288°C)
Cuisson au four par conv. avec préch. rapide	325°F (163°C)	170 à 550°F (77 à 288°C)
Rôtissage par conv.	325°F (163°C)	170 à 550°F (77 à 288°C)
Cuisson au gril par conv.	550°F (288°C)	450 à 550°F (232 à 238°C)
Rôtissage lent par conv. 4 h	275°F (135°C)	250 à 300°F (120 à 150°C)
Rôtissage lent par conv. 8 h	225°F (107°C)	200 à 250°F (93 à 120°C)
Rôtissage lent par conv. 12 h	185°F (85°C)	170 à 225°F (77 à 107°C)
Cuis. pâtisseries par conv.	325°F (163°C)	170 à 550°F (77 à 288°C)
Conv. véritable	325°F (163°C)	170 à 550°F (77 à 288°C)
Levée	100°F (38°C)	

5. Si l'on souhaite programmer la durée de cuisson, appuyer sur TIMER NOT SET (minuterie non réglée) pour entrer dans l'écran Durée de cuisson. Entrer une durée de cuisson à l'aide du clavier numérique à l'écran pour que la minuterie avertisse l'utilisateur de la fin de la cuisson. La durée ne peut pas dépasser 12 h. Le four s'éteindra à la fin de la durée de cuisson.
6. (Facultatif) Pour maintenir les aliments au chaud après la fin d'une durée de cuisson programmée, activer la fonction Maintien au chaud sur l'écran Durée de cuisson. Voir la section "Option Keep Warm™ (maintien au chaud)" pour plus de renseignements.
7. (Facultatif) Pour régler une mise en marche différée avec une durée de cuisson, appuyer sur l'écran Minuterie non réglée/ durée de cuisson et entrer la durée de cuisson désirée. Sélectionner Mise en marche différée, régler l'heure de mise en marche désirée et appuyer sur RÉGLAGE DE CUISSON DIFFÉRÉE. Pour régler une mise en marche différée uniquement, appuyer sur MISE EN MARCHÉ DIFFÉRÉE sur l'onglet Température, régler la durée désirée et appuyer sur RÉGLAGE DE CUISSON DIFFÉRÉE. Voir la section "Mise en marche différée" pour plus de renseignements.
8. Appuyer sur DÉMARRER pour commencer la cuisson ou activer la mise en marche différée.
9. Appuyer sur CANCEL OVEN (annulation four) (CANCEL UPPER [annulation four supérieur] ou CANCEL LOWER [annulation four inférieur] sur les modèles à double four) pour éteindre le four.

10. Pour changer de mode, de température ou de durée de cuisson alors que le four est actif, appuyer sur l'onglet approprié, faire une nouvelle sélection et sélectionner OK.

Mes créations

Mes créations permet de personnaliser les processus de cuisson. Lorsque l'on sélectionne Mes créations à partir du menu principal, une liste des créations existantes apparaît et la possibilité d'en créer d'autres est offerte.

1. À partir de l'onglet Accueil, appuyer sur MES CRÉATIONS.
Si l'on n'a encore rien ajouté dans Mes créations, un écran de bienvenue apparaît, décrivant la caractéristique et permettant de créer une nouvelle entrée. On doit voir affiché :
"Sauvegardez les réglages de recettes fréquemment utilisées pour un accès plus facile plus tard! Vous pouvez aussi lier plusieurs modes entre eux. Par exemple, créer une recette de lasagnes favorite qui cuit pendant 40 minutes, puis cuit au gril 5 minutes à la fin pour faire dorer le fromage."
2. Appuyer sur CRÉER NOUVELLE.
3. Sélectionner le mode de cuisson désiré : Cuisson au four, Cuisson sans préchauffage sur 1 grille, Cuisson au gril, Maintien au chaud, Cuisson au four par convection, Cuisson au four par convection avec préchauffage rapide, Cuisson au gril par convection, Cuisson de pâtisseries par convection, Rôtissage par convection, Rôtissage lent par convection, Convection véritable et Levée.
4. Appuyer sur SUIVANT.
5. Sélectionner la température de cuisson souhaitée : Utiliser le curseur pour entrer la température de cuisson souhaitée ou appuyer sur les boutons -5°F (-1°C) ou +5°F (+1°C), puis appuyer sur SUIVANT.
6. Choisir le mode de contrôle de la cuisson : Minuterie (avertit l'utilisateur lorsque la durée d'une minuterie de cuisson est terminée), Sonde (avertit l'utilisateur lorsqu'une température de sonde de cuisson désirée est atteinte) ou Aucun (pas d'avertissement). Le mode Sonde ne peut être utilisé que pour la Cuisson au four, la Cuisson au four par convection et le Rôtissage par convection.
7. Si l'on choisit le mode Minuterie, entrer la durée de la minuterie à l'aide du clavier numérique à l'écran, puis appuyer sur SUIVANT.

AVERTISSEMENT



Risque de brûlures

Utiliser des mitaines de four pour retirer la sonde thermométrique.

Ne pas toucher l'élément du gril.

Le non-respect de ces instructions peut causer des brûlures.

8. Avec le mode de cuisson au four, cuisson au four par convection ou rôtissage par convection, la sonde est disponible. Si l'on souhaite utiliser la sonde, sélectionner Sonde et la température cible interne de la sonde. Utiliser les boutons -5°F (-1°C) ou +5°F (+1°C) pour augmenter ou diminuer la température souhaitée, puis appuyer sur SUIVANT.

9. Appuyer sur AJOUTER ÉTAPE pour entrer une nouvelle étape.
10. Passer en revue les réglages. Appuyer sur MODIFIER pour entrer à nouveau les réglages ou appuyer sur EFFACER pour effacer l'étape immédiatement.
11. Appuyer sur SAUVEGARDER ou SAUVEGARDER et DÉMARRER.

Lorsque l'on sauvegarde le réglage, on peut entrer un nom pour l'aliment à l'aide d'un clavier à l'écran. Appuyer sur le bouton Blocage majuscules pour mettre toutes les lettres en majuscules (ou pour désactiver cette caractéristique). Ainsi, toute lettre tapée avec le bouton Blocage majuscules activé apparaîtra en majuscules. Appuyer sur le bouton 123... pour que le clavier à l'écran indique des nombres. Appuyer sur EFFACER pour effacer la dernière lettre de la zone de texte.

12. Appuyer sur OK.
13. Lorsque l'on vient du Centre culinaire, répéter les étapes 10 à 12.
14. **REMARQUE :** Si l'on souhaite apporter des modifications après avoir sauvegardé les réglages, entrer dans Mes créations depuis l'onglet Accueil. Sélectionner le nom du réglage à modifier puis appuyer sur MODIFIER au bas de l'écran. Sélectionner Modifier pour les étapes à modifier, puis entrer de nouveaux réglages.

Centre culinaire

Le Centre culinaire renferme de multiples renseignements pour vous aider avec la cuisson ordinaire et la cuisson au four de plusieurs aliments. Lors de la programmation de ce mode, l'utilisateur fera des sélections telles que le type de viande, de légume, le niveau de cuisson favori, l'intensité à laquelle les aliments doivent être dorés et le type de plat en fonction des aliments. Des conseils et astuces utiles sont fournis à mesure que l'utilisateur navigue dans le menu. Le Centre culinaire procédera à des ajustements en fonction du degré de cuisson et du plat sélectionnés. Toutes les sélections entraînent le fonctionnement par intermittence des éléments et des ventilateurs appropriés en fonction des aliments programmés.

1. À partir de l'onglet Accueil, appuyer sur CENTRE CULINAIRE.
2. Les boutons de catégories d'aliments à gauche de l'écran indiquent les catégories disponibles. Le fait de sélectionner ces boutons trie la liste d'aliments pour n'indiquer que ceux de la catégorie sélectionnée. Au démarrage, les choix sont les suivants : Bœuf, Agneau, Porc, Volaille, Fruits de mer, Pain, Mets en sauce, Dessert, Plats italiens favoris et Légumes.
3. Après avoir sélectionné la catégorie, sélectionner l'aliment indiqué à droite de l'écran. Utiliser les flèches de navigation vers le haut et vers le bas pour voir toutes les sélections possibles de la catégorie. Des conseils ou descriptions propres à certains aliments apparaissent au bas de l'écran.
4. Appuyer sur SUIVANT.
5. À partir des options disponibles, sélectionner le degré de cuisson souhaité. Des astuces alimentaires apparaissent au bas de l'écran.
6. Appuyer sur SUIVANT.
7. Sélectionner le type d'ustensile et appuyer ensuite sur Suivant. Le plat recommandé est mis en surbrillance.

8. Pour les articles nécessitant l'utilisation de la sonde, suivre les étapes 9 à 12. Pour les aliments pour lesquels elle n'est pas nécessaire, suivre les étapes 14 à 17.

⚠ AVERTISSEMENT



Risque de brûlures

Utiliser des mitaines de four pour retirer la sonde thermométrique.

Ne pas toucher l'élément du grill.

Le non-respect de ces instructions peut causer des brûlures.

9. Insérer l'extrémité allongée de la sonde de façon à ce que la pointe se trouve dans la partie la plus épaisse de l'aliment, mais sans toucher l'os ni pénétrer dans la graisse. Voir les informations complémentaires à l'écran.
10. Appuyer sur SUIVANT.
11. Placer les aliments dans le four, sur la grille suggérée. Des informations propres aux sélections effectuées apparaissent à l'écran.

12. Connecter la sonde au four. Voir la section "Sonde thermométrique" pour plus de renseignements.
- REMARQUE :** Lors de l'utilisation de la sonde thermométrique, retirer les grilles au-dessus des aliments qui ne sont pas utilisés.
13. Appuyer sur DÉMARRER pour utiliser ces réglages.
14. Pour les aliments qui ne nécessitent pas l'utilisation de la sonde, entrer la température de cuisson recommandée dans la recette ou sur l'emballage. Utiliser le curseur pour entrer la température de cuisson désirée ou appuyer sur les boutons -5°F (-1°C) ou $+5^{\circ}\text{F}$ ($+1^{\circ}\text{C}$), puis appuyer sur SUIVANT.
15. Entrer la/les durée(s) de cuisson. À l'aide du clavier numérique à l'écran, entrer la durée recommandée et appuyer sur SUIVANT ou entrer la durée la plus courte et sélectionner une durée plus longue ensuite.
16. Lorsque l'on entre la durée la plus courte/longue, la durée de cuisson est calculée automatiquement.
17. Appuyer sur SUIVANT.
18. Passer en revue les réglages qui seront utilisés ainsi que les instructions, conseils ou descriptions supplémentaires. La durée de cuisson ajustée est calculée à partir de la durée la plus courte ou la plus longue choisie. Appuyer sur DÉMARRER pour utiliser ces réglages.
19. Le four commence le préchauffage.
20. Placer les aliments dans le four lorsque le signal sonore de préchauffage retentit. L'écran indique "Insérer les aliments et démarrer la minuterie, si désiré."
21. Le four s'éteint à la fin de la minuterie de cuisson. On peut toutefois répéter le processus ou Ajouter du temps. Si l'on répète le processus, la durée de cuisson est automatiquement réglée sur la durée réglée précédemment.

Tableau Centre culinaire

Ces informations varient selon le modèle du four.

Catégorie	Aliment	Options de degré de cuisson (Le choix en gras indique les sélections par défaut et les sélections recommandées)	Options de plat (Le choix en gras indique la sélection par défaut, recommandée)	Grille
Bœuf	Filet de bœuf	Saignant, saignant à point, à point , à point bien cuit, bien cuit	Lèche-frite , rôtissoire, rôtissoire jetable, plat de cuisson rectangulaire brillant, plat de cuisson rectangulaire de couleur foncée, plat de cuisson rectangulaire en verre, plat de cuisson rectangulaire en céramique	2r
	London Broil	Saignant, saignant à point , à point	Lèche-frite	4r
	Pain de viande	Avec sonde ou minutée	Moule à pain brillant , moule à pain de couleur foncée, moule à pain en verre, moule à pain en silicone, moule à pain en céramique, plat de cuisson carré brillant, plat de cuisson carré de couleur foncée, plat de cuisson carré en verre, plat de cuisson carré en silicone, plat de cuisson carré en céramique, plat de cuisson rectangulaire brillant, plaque de cuisson rectangulaire de couleur foncée, plat de cuisson rectangulaire en verre, plat de cuisson rectangulaire en céramique, lèche-frite	2r
	Côte de bœuf	Saignant, saignant à point, à point , à point bien cuit, bien cuit	Lèche-frite , rôtissoire, rôtissoire jetable, plat de cuisson rectangulaire brillant, plat de cuisson rectangulaire de couleur foncée, plat de cuisson rectangulaire en verre, plat de cuisson rectangulaire en céramique	2r

Catégorie	Aliment	Options de degré de cuisson (Le choix en gras indique les sélections par défaut et les sélections recommandées)	Options de plat (Le choix en gras indique la sélection par défaut, recommandée)	Grille
	Rôti de ronde	Saignant, saignant à point, à point , à point bien cuit, bien cuit	Lèchefrite , rôtissoire, rôtissoire jetable, plat de cuisson rectangulaire brillant, plat de cuisson rectangulaire de couleur foncée, plat de cuisson rectangulaire en verre, plat de cuisson rectangulaire en céramique	2r
	Rôti de croupe	Saignant, saignant à point, à point , à point bien cuit, bien cuit	Lèchefrite , rôtissoire, rôtissoire jetable, plat de cuisson rectangulaire brillant, plat de cuisson rectangulaire de couleur foncée, plat de cuisson rectangulaire en verre, plat de cuisson rectangulaire en céramique	2r
	Poitrine mijotée	cuisson lente de 4 heures, cuisson lente de 8 heures ou cuisson lente de 12 heures	Rôtissoire , rôtissoire jetable, plat de cuisson rectangulaire brillant, plat de cuisson rectangulaire de couleur foncée, plat de cuisson rectangulaire en verre, plat de cuisson rectangulaire en céramique	2f
	Bœuf braisé mijoté	cuisson lente de 4 heures, cuisson lente de 8 heures ou cuisson lente de 12 heures	Rôtissoire , rôtissoire jetable, plat de cuisson rectangulaire brillant, plat de cuisson rectangulaire de couleur foncée, plat de cuisson rectangulaire en verre, plat de cuisson rectangulaire en céramique	2f
	Longe de veau rôtie	Saignant, saignant à point, à point , à point bien cuit, bien cuit	Lèchefrite , rôtissoire, rôtissoire jetable, plat de cuisson rectangulaire brillant, plat de cuisson rectangulaire de couleur foncée, plat de cuisson rectangulaire en verre, plat de cuisson rectangulaire en céramique	2r
Agneau	Rôti de couronne de longe	Saignant, à point , bien cuit	Lèchefrite , rôtissoire, rôtissoire jetable, plat de cuisson rectangulaire brillant, plat de cuisson rectangulaire de couleur foncée, plat de cuisson rectangulaire en verre, plat de cuisson rectangulaire en céramique	2r
	Épaule	Épaule rôtie	Lèchefrite , rôtissoire, rôtissoire jetable	2r
	Jarret mijoté	Cuisson lente de 4 heures , cuisson lente de 8 heures	Rôtissoire , rôtissoire jetable, plat de cuisson rectangulaire brillant, plat de cuisson rectangulaire de couleur foncée, plat de cuisson rectangulaire en verre, plat de cuisson rectangulaire en céramique	2r
Porc	Soc de porc	Soc de porc - avec sonde , Cuisson lente de 4 heures, cuisson lente de 8 heures, cuisson lente de 12 heures	Lèchefrite , rôtissoire, rôtissoire jetable, plat de cuisson rectangulaire brillant, plat de cuisson rectangulaire de couleur foncée, plat de cuisson rectangulaire en verre, plat de cuisson rectangulaire en céramique	2r
	Jambon	Jambon cuit au four	Lèchefrite , rôtissoire, rôtissoire jetable, plat de cuisson rectangulaire brillant, plat de cuisson rectangulaire de couleur foncée, plat de cuisson rectangulaire en verre, plat de cuisson rectangulaire en céramique	2r
	Côtelettes de porc	1 à 2 côtelettes de porc ou 3 à 4 côtelettes de porc	Lèchefrite	4r
	Longe de porc	Longe de porc rôtie	Lèchefrite , rôtissoire, rôtissoire jetable, plat de cuisson rectangulaire brillant, plat de cuisson rectangulaire de couleur foncée, plat de cuisson rectangulaire en verre, plat de cuisson rectangulaire en céramique	2r
	Côtes mijotées	Cuisson lente de 8 heures ou cuisson lente de 12 heures	Rôtissoire ou rôtissoire jetable	2r

Catégorie	Aliment	Options de degré de cuisson (Le choix en gras indique les sélections par défaut et les sélections recommandées)	Options de plat (Le choix en gras indique la sélection par défaut, recommandée)	Grille
	Longe de porc farcie	Longe farcie rôti	Lèchefrite , rôtissoire, rôtissoire jetable, plat de cuisson rectangulaire brillant, plat de cuisson rectangulaire de couleur foncée, plat de cuisson rectangulaire en verre, plat de cuisson rectangulaire en céramique	2r
Volaille	Poitrine de poulet non désossée	Poitrine de poulet cuite au four	Lèchefrite	3r
	Poitrine de poulet désossée	Poitrine de poulet cuite au four	Lèchefrite	3r
	Poitrine de poulet panée	Poitrine de poulet cuite au four	Lèchefrite	3r
	Poulet à rôtir	Léger, à point , foncé	Lèchefrite , rôtissoire, rôtissoire jetable, plat de cuisson rectangulaire brillant, plat de cuisson rectangulaire de couleur foncée, plat de cuisson rectangulaire en verre, plat de cuisson rectangulaire en céramique	2r
	Ailes de poulet	Ailes de poulet	Lèchefrite ou moule à roulé de couleur foncée	3f
	Canard	Canard rôti	Lèchefrite , rôtissoire, rôtissoire jetable	2r
	Coquelet	Coquelet rôti	Lèchefrite ou moule à roulé de couleur foncée	2r
	Oie	Oie rôtie	Lèchefrite , rôtissoire, rôtissoire jetable	2r
	Faisan	Faisan rôti	Lèchefrite , rôtissoire, rôtissoire jetable	2r
	Caille	Caille rôtie	Lèchefrite ou moule à roulé de couleur foncée	2r
	Dinde	Léger, à point , foncé	Lèchefrite , rôtissoire, rôtissoire jetable	2r
Fruits de mer	Darne de saumon / de thon	Saignant, à point saignant , bien cuit	Lèchefrite ou moule à roulé de couleur foncée	4r
	Filet de vivaneau	Vivaneau cuit au four	Lèchefrite ou moule à roulé de couleur foncée	4r
	Darne d'espadon	Espadon cuit au four	Lèchefrite ou moule à roulé de couleur foncée	4r
	Filet de tilapia	Tilapia cuit au four	Lèchefrite ou moule à roulé de couleur foncée	4r
	Filet de cisco	Cisco cuit au four	Lèchefrite ou moule à roulé de couleur foncée	4r
Pain	Biscuits	Léger, à point , foncé	Plaque à pâtisserie brillante , moule à roulé de couleur foncée, plaque à pâtisserie à isolation thermique	2f
	Brioche à la cannelle	Léger, à point , foncé	Plaque à pâtisserie brillante , moule à roulé de couleur foncée, plaque à pâtisserie à isolation thermique, plaque à pâtisserie en pierre, moule à gâteau rond brillant, moule à gâteau rond de couleur foncée, moule à gâteau rond en silicone, moule à gâteau rond en céramique, plat de cuisson rectangulaire brillant, plat de cuisson rectangulaire de couleur foncée, plat de cuisson rectangulaire en verre, plat de cuisson rectangulaire en céramique	2f

Catégorie	Aliment	Options de degré de cuisson (Le choix en gras indique les sélections par défaut et les sélections recommandées)	Options de plat (Le choix en gras indique la sélection par défaut, recommandée)	Grille
	Pain français/baguette	Léger, à point , foncé	Plaque à pâtisserie brillante , moule à roulé de couleur foncée, plaque à pâtisserie à isolation thermique	2f
	Pain surgelé	Léger, à point , foncé	Moule à pain brillant , moule à pain de couleur foncée, moule à pain en verre, moule à pain en silicone, moule à pain en céramique, plaque à pâtisserie brillante, moule à roulé de couleur foncée, plaque à pâtisserie à isolation thermique	2f
	Pains éclair/muffins	Léger, à point , foncé	Moule à pain de couleur foncée , moule à pain brillant, moule à pain en verre, moule à pain en silicone, moule à pain en céramique, moule à muffins brillant, moule à muffins de couleur foncée, moule à muffins en silicone, moule à muffins en pierre	2f
	Levée rapide	Levée rapide	Toute tôle à biscuits , tout moule à pain, tout moule à muffins	3r
	Pain à la levure	Léger, à point , foncé	Moule à pain brillant , moule à pain de couleur foncée, moule à pain en verre, moule à pain en silicone, moule à pain en céramique, plaque à pâtisserie brillante, moule à roulé de couleur foncée, plaque à pâtisserie à isolation thermique.	2f
Mets en sauce	Riz brun	Al dente ou mou	Plat de cuisson en verre carré , plat de cuisson carré brillant, plat de cuisson carré de couleur foncée, plat de cuisson carré en silicone, plat de cuisson carré en céramique, plat de cuisson rectangulaire brillant, plat de cuisson rectangulaire de couleur foncée, plat de cuisson rectangulaire en verre, plat de cuisson rectangulaire en céramique	3r
	Casserole de poulet	Casserole de poulet	Plat de cuisson rectangulaire brillant , plat de cuisson rectangulaire de couleur foncée, plat de cuisson rectangulaire en verre, plat de cuisson rectangulaire en céramique	3f
	Casserole de patates douces	Casserole de patates douces	Plat de cuisson rectangulaire brillant , plat de cuisson rectangulaire de couleur foncée, plat de cuisson rectangulaire en verre, plat de cuisson rectangulaire en céramique	3f
	Casserole de thon	Casserole de thon	Plat de cuisson rectangulaire brillant , plat de cuisson rectangulaire de couleur foncée, plat de cuisson rectangulaire en verre, plat de cuisson rectangulaire en céramique	3f
	Riz blanc	Al dente ou mou	Plat de cuisson en verre carré , plat de cuisson carré brillant, plat de cuisson carré de couleur foncée, plat de cuisson carré en silicone, plat de cuisson carré en céramique, plat de cuisson rectangulaire brillant, plat de cuisson rectangulaire de couleur foncée, plat de cuisson rectangulaire en verre, plat de cuisson rectangulaire en céramique	3r

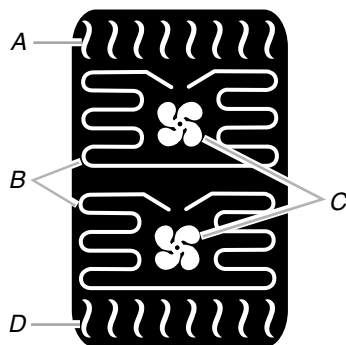
Catégorie	Aliment	Options de degré de cuisson (Le choix en gras indique les sélections par défaut et les sélections recommandées)	Options de plat (Le choix en gras indique la sélection par défaut, recommandée)	Grille
Dessert	Brownies	À consistance de gâteau ou à consistance de fudge	Plat de cuisson en verre rectangulaire , plat de cuisson carré brillant, plat de cuisson carré de couleur foncée, plat de cuisson carré en verre, plat de cuisson carré en silicone, plat de cuisson carré en céramique, plat de cuisson rectangulaire brillant, plat de cuisson rectangulaire de couleur brillante, plat de cuisson rectangulaire de couleur foncée, plat de cuisson rectangulaire en céramique	3f
	Gâteau au chocolat	Gâteau au chocolat	Plat de cuisson rectangulaire en verre , moule à gâteau rond brillant, moule à gâteau rond de couleur foncée, moule à gâteau rond en silicone, moule à gâteau rond en céramique, plat de cuisson carré brillant, plat de cuisson carré de couleur foncée, plat de cuisson carré en verre, plat de cuisson carré en silicone, plat de cuisson carré en céramique, plat de cuisson rectangulaire brillant, plat de cuisson rectangulaire de couleur foncée, plat de cuisson rectangulaire en céramique	2f
	Biscuits	Léger, à point , foncé	Plaque à pâtisserie brillante , moule à roulé de couleur foncée, plaque à pâtisserie à isolation thermique	2f
	Petits gâteaux	Petits gâteaux	Moule à muffins brillant , moule à muffins de couleur foncée, moule à muffins en silicone, moule à muffins en pierre	Brillant, de couleur foncée, en silicone 3f Pierre : 3r
	Tarte surgelée	Léger, à point , foncé	Plaque à pâtisserie brillante , moule à roulé de couleur foncée, plaque à pâtisserie à isolation thermique	3f
	Tarte maison	Léger, à point , foncé	Moule à tarte en verre , moule à tarte brillant, moule à tarte de couleur foncée, moule à tarte en céramique	3f
	Pâtisseries	Pâtisseries	Plaque à pâtisserie brillante , moule à roulé de couleur foncée, plaque à pâtisserie à isolation thermique	3f
	Pâte à tarte	Pâte à tarte surgelée ou pâte à tarte fraîche	PÂTE À TARTE SURGELÉE: Plaque à pâtisserie brillante , moule à roulé de couleur foncée, plaque à pâtisserie à isolation thermique; PÂTE À TARTE FRAÎCHE : Moule à tarte en verre , moule à tarte brillant, moule à tarte de couleur foncée, moule à tarte en céramique	3f
	Quatre-quarts	Quatre-quarts	Moule à pain brillant , moule à pain de couleur foncée, moule à pain en verre, moule à pain en céramique, moule à gâteau cannelé/en couronne brillant, moule à gâteau cannelé/en couronne de couleur foncée, moule à gâteau cannelé/en couronne en verre, moule à gâteau cannelé/en couronne en silicone, moule à gâteau cannelé/en couronne en céramique	Moule à pain : 3f Moule cannelé : 2f

Catégorie	Aliment	Options de degré de cuisson (Le choix en gras indique les sélections par défaut et les sélections recommandées)	Options de plat (Le choix en gras indique la sélection par défaut, recommandée)	Grille
	Couronne ou gâteau cannelé	Couronne ou gâteau cannelé	Moule à gâteau cannelé/en couronne brillant moule à gâteau cannelé/en couronne de couleur foncée, moule à gâteau cannelé/en couronne en verre, moule à gâteau cannelé/en couronne en silicone, moule à gâteau cannelé/en couronne en céramique	2f
	Gâteau blanc	Gâteau blanc	Moule à gâteau rond en verre , moule à gâteau rond de couleur foncée, moule à gâteau rond en silicone, moule à gâteau rond en céramique, plat de cuisson carré brillant, plat de cuisson carré de couleur foncée, plat de cuisson carré en verre, plat de cuisson carré en silicone, plat de cuisson carré en céramique, plat de cuisson rectangulaire brillant, plat de cuisson rectangulaire de couleur foncée, plat de cuisson rectangulaire en verre, plat de cuisson rectangulaire en céramique	3f
Plats italiens favoris	Pizza surgelée	Léger, à point , foncé	Sans plat , plaque à pizza perforée, plaque à pizza brillante, plaque à pizza en silicone, pierre à pizza - croûte épaisse, pierre à pizza - croûte fine, plaque de cuisson brillante	Sans plat, plaque perforée, plaque de cuisson brillante : 3f Plaque à pizza brillante, plaque à pizza en silicone : 2f Pierre à pizza : 3r
	Pizza faite maison	Léger, à point , foncé	Plaque à pizza brillante , plaque à pizza perforée, plaque à pizza en silicone, pierre à pizza, plaque de cuisson brillante	Plaque à pizza brillante; plaque à pizza perforée, plaque à pizza en silicone, plaque de cuisson brillante : 2f; Pierre à pizza : 3r
	Lasagnes	Lasagnes	Plat de cuisson rectangulaire brillant , plat de cuisson rectangulaire de couleur foncée, plat de cuisson rectangulaire en verre, plat de cuisson rectangulaire en céramique	2f
	Macaroni et fromage	Macaroni et fromage	Plat de cuisson rectangulaire brillant , plat de cuisson rectangulaire de couleur foncée, plat de cuisson rectangulaire en verre, plat de cuisson rectangulaire en céramique	2f
	Tetrazzini	Tetrazzini	Plat de cuisson rectangulaire brillant , plat de cuisson rectangulaire de couleur foncée, plat de cuisson rectangulaire en verre, plat de cuisson rectangulaire en céramique	2f

Catégorie	Aliment	Options de degré de cuisson (Le choix en gras indique les sélections par défaut et les sélections recommandées)	Options de plat (Le choix en gras indique la sélection par défaut, recommandée)	Grille
Légumes	Pommes de terre au four	Molles ou fermes	Moule à roulé de couleur foncée , pommes de terre enveloppées dans du papier d'aluminium, sans plat	3f
	Pommes de terre rôties	Pommes de terre rôties	Moule à roulé de couleur foncée , rôtissoire, rôtissoire jetable, plat de cuisson rectangulaire brillant, plat de cuisson rectangulaire de couleur foncée, plat de cuisson rectangulaire en verre, plat de cuisson rectangulaire en céramique	3f
	Légumes rôtis	Légumes rôtis	Moule à roulé de couleur foncée , rôtissoire, rôtissoire jetable, plat de cuisson rectangulaire brillant, plat de cuisson rectangulaire de couleur foncée, plat de cuisson rectangulaire en verre, plat de cuisson rectangulaire en céramique	3f

Cuisson au four

Durant la cuisson au four, l'élément de cuisson au four s'allume et s'éteint par intermittence pour maintenir la température du four. Pour de meilleurs résultats, préchauffer le four avant d'y placer les aliments. La fonction Cuisson au four est utilisée pour cuire des aliments sur un maximum de deux grilles.



A. Élément de cuisson au grill
B. Éléments de convection
C. Ventilateurs de convection
D. Élément de cuisson au four

Si la porte du four est ouverte pendant la cuisson au four, les éléments chauffants s'éteindront pendant environ 30 secondes après l'ouverture de la porte. Ils se mettront de nouveau en marche environ 30 secondes après la fermeture de la porte.

Avant l'utilisation de la cuisson au four :

Avant d'utiliser la cuisson au four, voir la section "Positionnement des grilles et ustensiles de cuisson au four" et les conseils qui suivent pour le positionnement des grilles.

REMARQUE : Un "o" après un chiffre indiquant la position d'une grille indique que l'on doit utiliser la grille dénivelée. Un "f" indique que l'on doit utiliser la grille plate, et un "r" que l'on doit utiliser la grille déployante.

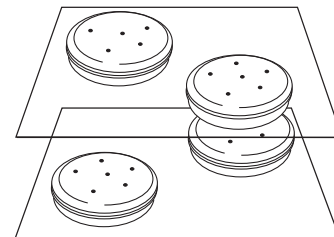
Positions de grille

Cuisson au four sur 1 grille : 3f

Cuisson au four sur 2 grilles : 2o et 4f ou 2o et 4r

Pour la viande et la volaille : 2o

Pour des résultats optimaux lors de la cuisson au four de gâteaux sur 2 grilles, utiliser les grilles 4r et 2o pour la cuisson au four. Placer les gâteaux sur les grilles tel qu'indiqué.



Utilisation de la fonction de cuisson au four :

- Appuyer sur **MODES** pour passer au menu Modes.
 - À partir du menu Modes, appuyer sur **CUISSON AU FOUR**.
 - Après avoir appuyé sur Cuisson au four, on passe à l'écran de température. Ou appuyer sur l'onglet Température pour passer à l'écran Température. Utiliser le curseur pour entrer une température de cuisson désirée ou appuyer sur les boutons -5°F (-1°C) ou $+5^{\circ}\text{F}$ ($+1^{\circ}\text{C}$). La température doit être entre 170°F (77°C) et 550°F (288°C).
 - Appuyer sur **DÉMARRER** pour commencer le préchauffage du four ou pour démarrer la minuterie de mise en marche différée.
- OU**
- Si l'on souhaite utiliser une durée de cuisson programmée, appuyer sur **MINUTERIE NON RÉGLÉE** pour passer à l'écran Durée de cuisson. Entrer une durée de cuisson à l'aide du clavier numérique à l'écran pour que la minuterie avertisse l'utilisateur de la fin de la cuisson. La durée de cuisson ne peut pas dépasser 12 heures. Le four s'éteint lorsque le temps de cuisson s'est écoulé.
 - (Facultatif) Pour maintenir les aliments au chaud après la fin d'une durée de cuisson programmée, activer la fonction **Maintien au chaud** à partir de l'écran Durée de cuisson. Voir la section "Option Keep Warm™ (maintien au chaud)" pour plus de renseignements.

7. (Facultatif) Pour régler une mise en marche différée avec durée de cuisson, appuyer sur l'écran MINUTERIE NON RÉGLÉE/DURÉE DE CUISSON et entrer la durée de cuisson désirée. Sélectionner Mise en marche différée, régler l'heure de mise en marche désirée et appuyer sur RÉGLAGE DE CUISSON DIFFÉRÉE. Une autre façon de régler une mise en marche différée consiste à appuyer sur MISE EN MARCHÉ DIFFÉRÉE à partir de l'onglet Température, régler la durée désirée et appuyer sur RÉGLAGE CUISSON DIFFÉRÉE. Voir la section "Mise en marche différée" pour plus de renseignements.
8. Appuyer sur DÉMARRER pour commencer le préchauffage du four.
9. Placer les aliments dans le four lorsque le signal sonore de préchauffage retentit. L'écran indique à l'utilisateur le moment où il peut ajouter les aliments. Si une mise en marche différée est programmée, placer les aliments dans le four au moment du réglage du mode.

⚠ AVERTISSEMENT

Risque d'empoisonnement alimentaire

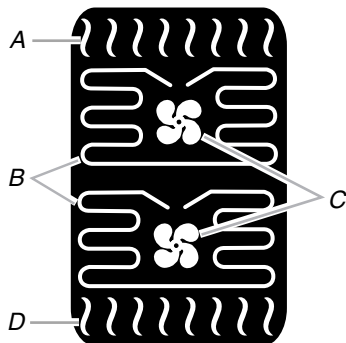
Ne pas laisser des aliments dans un four plus d'une heure avant ou après la cuisson.

Le non-respect de cette instruction peut causer un empoisonnement alimentaire ou une maladie.

REMARQUE : Ne pas utiliser la mise en marche différée pour des aliments nécessitant le préchauffage du four, comme les gâteaux, les biscuits et le pain. Si l'on place les aliments dans le four durant le préchauffage, ils pourraient être trop cuits.

10. Lorsque la minuterie de cuisson est terminée, on peut démarrer le programme Maintien au chaud s'il n'est pas déjà pré-réglé. Ajouter du temps ou Annuler la minuterie. Pour ajouter du temps, appuyer sur AJOUTER DU TEMPS ou SORTIR MINUTERIE puis régler la minuterie. Entrer la durée souhaitée et sélectionner OK.
11. Lorsque le programme est terminé, appuyer sur CANCEL (annulation) (CANCEL UPPER [annulation four supérieur] ou CANCEL LOWER [annulation four inférieur] sur les modèles à double four) pour éteindre le four.

Cuisson sans préchauffage sur 1 grille



- A. Élément de cuisson au gril
- B. Éléments de convection
- C. Ventilateurs de convection
- D. Élément de cuisson au four

La fonction Cuisson sans préchauffage sur 1 grille permet d'effectuer une cuisson au four sur 1 grille sans préchauffer le four. On peut utiliser cette fonction pour cuire les produits de boulangerie, les plats cuisinés et les aliments protéinés. Les plats cuisinés congelés et les aliments avec un temps de cuisson au four de 10 minutes ou moins peuvent nécessiter un temps de

cuisson supérieur. Les modes Cuisson au four par convection, Préchauffage rapide avec cuisson au four par convection et Convection véritable doivent être utilisés pour la cuisson au four sur plusieurs grilles.

Avant d'utiliser Cuisson sans préchauffage sur 1 grille :

Avant d'utiliser Cuisson sans préchauffage sur 1 grille, voir la section "Positionnement des grilles et ustensiles de cuisson au four" et les conseils qui suivent pour le positionnement des grilles.

REMARQUE : Un "o" après un chiffre indiquant la position d'une grille indique que l'on doit utiliser la grille dénivelée. Un "f" indique que l'on doit utiliser la grille plate, et un "r" que l'on doit utiliser la grille déployante.

Positions de grille

Utiliser la position de grille 3f pour les produits de boulangerie tels que les biscuits, les gâteaux et les plats cuisinés. Utiliser la position de grille 2f pour la viande, la volaille et les pains.

Utilisation de Cuisson sans préchauffage sur 1 grille :

1. Placer les aliments dans le four, sur la grille adéquate.
2. Appuyer sur MODES pour passer au menu Modes.
3. À partir du menu modes, appuyer sur CUISSON SANS PRÉCHAUFFAGE SUR 1 GRILLE.
4. Après avoir appuyé sur Cuisson sans préchauffage sur 1 grille, l'utilisateur passe à l'écran Température. On peut aussi appuyer sur l'onglet Température pour passer à l'écran Température.

Utiliser le curseur pour entrer une température de cuisson désirée ou appuyer sur les boutons -5°F (-1°C) ou +5°F (+1°C). La température doit être entre 170°F (77°C) et 550°F (288°C).

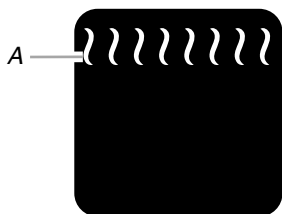
5. Appuyer sur DÉMARRER pour entamer la cuisson.

OU

6. Si l'on souhaite utiliser une durée de cuisson programmée, appuyer sur MINUTERIE NON RÉGLÉE pour passer à l'écran Durée de cuisson. Entrer une durée de cuisson à l'aide du clavier numérique à l'écran pour que la minuterie avertisse l'utilisateur de la fin de la cuisson. La durée de cuisson ne peut pas dépasser 12:00:00. Le four s'éteint une fois le temps de cuisson écoulé.
7. (Facultatif) Pour garder les aliments au chaud après une cuisson programmée, mettre "Maintien au chaud" en MARCHÉ à partir de l'écran Durée de cuisson. Voir la section "Option Keep Warm™ (maintien au chaud)" pour plus de renseignements.
8. (Facultatif) Pour régler une mise en marche différée, appuyer sur l'écran MINUTERIE NON RÉGLÉE/DURÉE DE CUISSON et entrer la durée de cuisson désirée. Sélectionner Mise en marche différée, régler l'heure de mise en marche désirée et appuyer sur RÉGLAGE DE CUISSON DIFFÉRÉE. Une autre façon de régler une mise en marche différée consiste à appuyer sur MISE EN MARCHÉ DIFFÉRÉE à partir de l'onglet Température, régler la durée désirée et appuyer sur RÉGLAGE CUISSON DIFFÉRÉE. Voir la section "Mise en marche différée" pour plus de renseignements.
9. Appuyer sur DÉMARRER pour commencer la cuisson ou pour lancer la minuterie de mise en marche différée.
10. Lorsque la minuterie est terminée, on peut démarrer le programme Maintien au chaud, Ajouter du temps ou Annuler la minuterie. Pour ajouter du temps, appuyer sur AJOUTER DU TEMPS ou SORTIR MINUTERIE puis régler la minuterie. Entrer la durée souhaitée et sélectionner OK.
11. Lorsque le programme est terminé, appuyer sur CANCEL (annulation) (CANCEL UPPER [annulation four supérieur] ou CANCEL LOWER [annulation four inférieur] sur les modèles à double four) pour éteindre le four.

Cuisson au grill

La cuisson au grill utilise la chaleur radiante directe pour cuire les aliments.



A. Élément de cuisson au grill

L'élément s'allume et s'éteint par intermittence pour maintenir la température du four.

La porte du four doit être fermée pour que l'élément de cuisson au grill fonctionne.

Si la porte du four est ouverte durant la cuisson au grill, l'élément de cuisson au grill s'éteindra après environ 30 secondes. Lorsque la porte du four est refermée, les éléments se rallumeront environ 30 secondes après la fermeture de la porte.

- Pour des résultats optimaux, utiliser une lèchefrite et une grille. La lèchefrite est conçue pour laisser s'écouler les jus et aider à éviter les éclaboussures et la fumée.

Il est possible de commander un ensemble de lèchefrite. Voir la section "Assistance ou service" pour commander. Demander la pièce numéro W10123240.

- Pour que l'écoulement puisse se faire correctement, ne pas recouvrir la grille de papier d'aluminium. Le fond de la lèchefrite peut être garni de papier d'aluminium pour en faciliter le nettoyage.
- Enlever l'excès de gras pour réduire les éclaboussures. Entailler le gras résiduel sur les côtés pour éviter que la viande se recroqueville.
- Sortir la grille jusqu'à la butée d'arrêt avant de tourner ou d'enlever les aliments. Utiliser une pince pour tourner les aliments et éviter la perte de jus. Il est possible qu'il ne soit pas nécessaire de tourner les coupes très minces de poisson, de volaille ou de viande.
- Après la cuisson au grill, retirer le plat et les aliments du four. Ce qui reste au fond de la lèchefrite cuira si on la laisse dans le four encore chaud, rendant le nettoyage plus difficile.

Utilisation de la cuisson au grill :

Avant la cuisson au grill, placer la grille tel qu'indiqué dans le tableau de cuisson au grill.

Pendant la cuisson au grill, le changement de température permet un contrôle plus précis. Plus la température est basse, plus la cuisson est lente. Les morceaux épais et de forme irrégulière de viande, de poisson et de volaille cuisent mieux à des températures de cuisson au grill plus basses.

Placer l'aliment sur la grille de la lèchefrite, puis placer celle-ci au centre de la grille du four, avec le côté le plus long de la lèchefrite parallèle à la porte du four. Fermer la porte. Il n'est pas nécessaire de préchauffer le four avant d'y placer l'aliment, sauf si la recette le recommande.

1. Placer les aliments dans le four et fermer la porte.
2. Appuyer sur l'onglet **MODES** pour passer au menu Modes.
3. Appuyer sur **CUISSON AU GRIL**.

4. Après avoir appuyé sur Cuisson au grill, l'utilisateur passe à l'écran **Température**. On peut aussi appuyer sur l'onglet **TEMPÉRATURE** pour passer à l'écran **Température**.

Utiliser le curseur pour entrer une température de cuisson désirée ou appuyer sur les boutons **-5°F (-1°C)** ou **+5°F (+1°C)**. La température doit être entre **450°F (232°C)** et **550°F (288°C)**.

5. Appuyer sur **DÉMARRER** pour entamer la cuisson.

OU

6. Si l'on souhaite utiliser une durée de cuisson programmée, appuyer sur **MINUTERIE NON RÉGLÉE** pour passer à l'écran **Durée de cuisson**. Entrer une durée de cuisson à l'aide du clavier numérique à l'écran pour que la minuterie avertisse l'utilisateur de la fin de la cuisson. La durée de cuisson ne peut pas dépasser 12 h. Le four s'éteindra une fois la durée de cuisson écoulée.
7. (Facultatif) Pour garder les aliments au chaud après une durée de cuisson programmée, mettre "Maintien au chaud" en **MARCHE** à partir de l'écran **Durée de cuisson**. Voir la section "Option Keep Warm™ (maintien au chaud)" pour plus de renseignements.
8. (Facultatif) Pour régler une mise en marche différée, appuyer sur l'écran **MINUTERIE NON RÉGLÉE/DURÉE DE CUISSON** et entrer la durée de cuisson désirée. Sélectionner **Mise en marche différée**, régler l'heure de mise en marche désirée et appuyer sur **RÉGLAGE DE CUISSON DIFFÉRÉE**. Une autre façon de régler une mise en marche différée consiste à appuyer sur **MISE EN MARCHE DIFFÉRÉE** à partir de l'onglet **Température**, régler la durée désirée et appuyer sur **RÉGLAGE CUISSON DIFFÉRÉE**. Voir la section "Mise en marche différée" pour plus de renseignements.
9. Appuyer sur **DÉMARRER** pour démarrer la cuisson ou la minuterie de mise en marche différée.
10. Lorsque la minuterie de cuisson est terminée, on peut démarrer le programme **Maintien au chaud**, Ajouter du temps ou appuyer sur **Annuler la minuterie**. Pour ajouter du temps, appuyer sur **AJOUTER DU TEMPS** ou **SORTIR MINUTERIE**, puis régler la minuterie. Entrer la durée désirée et appuyer sur **OK**.
11. Appuyer sur **CANCEL** (annulation) (**CANCEL UPPER** [annulation four supérieur] ou **CANCEL LOWER** [annulation four inférieur] sur les modèles à double four) pour éteindre le four.

TABLEAU DE CUISSON AU GRIL

Pour des résultats optimaux, suivre les instructions du tableau ci-dessous. Pour le schéma, voir la section "Positionnement des grilles et ustensiles de cuisson au four".

Pour la plupart des aliments, on recommande un réglage de température de **550°F (288°C)**.

Les durées de cuisson sont citées à titre indicatif seulement; on peut les ajuster en fonction des aliments et des goûts personnels. Le préchauffage n'est pas nécessaire pour le mode de cuisson au grill.

ALIMENT	Position de grille	DURÉE DE CUISSON (en minutes)
Bœuf		
Steak 1" à 1¼" (2,5 cm à 3 cm) d'épaisseur saignant à point	4f	10-17
à point	4f	12-19
bien cuit	4f	15-24
Porc		
Côtelettes de porc 1" (2,5 cm) d'épaisseur à point	4f	16-24
Agneau		
Côtelettes d'agneau 1" (2,5 cm) d'épaisseur saignant à point	4f	10-12
à point	4f	11-13
Viandes hachées		
Galettes de bœuf, de porc ou d'agneau haché* ¾" (2 cm) d'épaisseur bien cuit	4f	15-18
Poulet		
Poulet morceaux non désossés (2" à 2½" [5 cm à 6,3 cm])	2f	20-40
morceaux désossés (4 oz [113 g])	4f	12-15
Poisson		
Poisson ½" à ¾" (1,25 à 2 cm) d'épaisseur	4f	6-15

*Placer jusqu'à 12 galettes, espacées de façon égale, sur la grille de la lèchefrite.

**Un "o" après un chiffre indiquant une position de grille indique que la grille dénivelée doit être utilisée, un "f" que l'on doit utiliser la grille plate et un "r" la grille déployante.

Option Keep Warm™ (maintien au chaud)

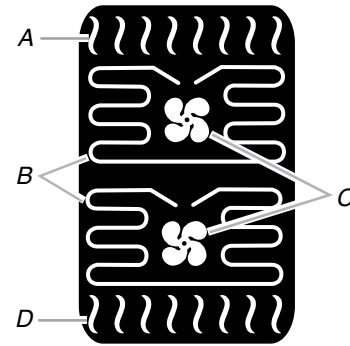
AVERTISSEMENT

Risque d'empoisonnement alimentaire

Ne pas laisser des aliments dans un four plus d'une heure avant ou après la cuisson.

Le non-respect de cette instruction peut causer un empoisonnement alimentaire ou une maladie.

IMPORTANT : Les aliments doivent être à la température de service avant de les placer dans le four chaud. Les aliments peuvent être gardés au four pendant une heure maximum; toutefois, les pains et les mets en sauce peuvent devenir trop secs s'ils sont laissés dans le four durant la fonction de maintien au chaud.



A. Élément de cuisson au grill
B. Éléments de convection
C. Ventilateurs de convection
D. Élément de cuisson au four

L'option de Keep Warm™ permet de garder les aliments cuits chauds à la température de service. Elle peut aussi être utilisée indépendamment ou à la fin d'une cuisson minutée.

Utilisation de la fonction Maintien au chaud indépendamment :

1. Appuyer sur **MODES** pour passer au menu Modes.
2. À partir du menu Modes, appuyer sur **MAINTIEN AU CHAUD**.
3. Après avoir appuyé sur **Maintien au chaud**, on passe à l'écran **Température**; on peut aussi appuyer sur la touche **Température** pour passer à l'écran **Température**.

Utiliser le curseur pour entrer la température de cuisson souhaitée ou appuyer sur les boutons **-5°F (-1°C)** ou **+5°F (+1°C)**. La température doit être comprise entre **150°F (66°C)** et **200°F (93°C)**.

4. Appuyer sur **DÉMARRER** pour démarrer le programme de maintien au chaud.

OU

5. Si l'on souhaite utiliser la fonction **Maintien au chaud**, appuyer sur l'onglet **MINUTERIE NON RÉGLÉE** pour passer à l'écran **Durée de cuisson**. Entrer une durée de cuisson à l'aide du clavier numérique à l'écran pour que la minuterie avertisse l'utilisateur de la fin de la cuisson. La durée de cuisson ne peut pas dépasser 12 h. Le four s'éteindra une fois la durée de cuisson écoulée.
6. (Facultatif) Pour régler une mise en marche différée avec durée de cuisson, appuyer sur l'écran **MINUTERIE NON RÉGLÉE/DURÉE DE CUISSON** et entrer la durée de cuisson désirée. Sélectionner **Mise en marche différée**, régler l'heure de mise en marche désirée et appuyer sur **RÉGLAGE DE CUISSON DIFFÉRÉE**. Une autre façon de régler une mise en marche différée consiste à appuyer sur **MISE EN MARCHÉ DIFFÉRÉE** à partir de l'onglet **Température**, régler la durée désirée et appuyer sur **RÉGLAGE CUISSON DIFFÉRÉE**. Voir la section "Mise en marche différée" pour plus de renseignements.
7. Appuyer sur **DÉMARRER** pour démarrer le programme de **Maintien au chaud**.
8. Placer les aliments dans le four chaud. Si une mise en marche différée est programmée, placer les aliments dans le four au moment du réglage du mode.
REMARQUE : Ne pas utiliser la mise en marche différée pour des aliments nécessitant le préchauffage du four, comme les gâteaux, les biscuits et le pain. Si l'on place les aliments dans le four durant le préchauffage, ils pourraient être trop cuits.
9. Appuyer sur **CANCEL (annulation) (CANCEL UPPER [annulation four supérieur] ou CANCEL LOWER [annulation four inférieur])** sur les modèles à double four) pour éteindre le four. Si une fonction minutée était programmée, le four s'éteindra une fois la durée programmée écoulée.

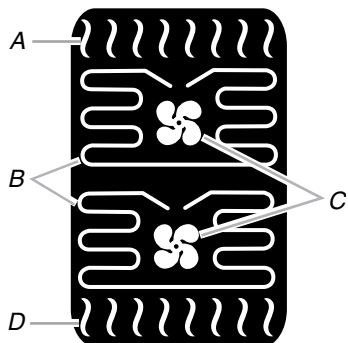
Utilisation de Maintien au chaud à la fin d'un programme de cuisson :

Maintien au chaud peut être réglé pour se mettre en marche à la fin d'un programme de cuisson. Activer Maintien au chaud au cours du réglage du programme de cuisson.

1. Durant le réglage d'un programme de cuisson, toucher l'écran MINUTERIE NON RÉGLÉE/DURÉE DE CUISSON.
2. Régler la durée de cuisson désirée.
3. Appuyer sur GARDER AU CHAUD UNE FOIS TERMINÉ et passer à MARCHE.
Le four entre automatiquement au mode Maintien au chaud lorsque la minuterie de cuisson se termine.
4. Si l'on souhaite modifier la température de Maintien au chaud au cours du programme Maintien au chaud, appuyer sur la température programmée en haut de l'écran. Ajuster la température et appuyer sur OK.
5. Pour changer le mode, appuyer sur le mode programmé en haut de l'écran. Sélectionner le nouveau mode et appuyer sur OK.
6. Appuyer sur CANCEL (annulation) (CANCEL UPPER [annulation four supérieur] ou CANCEL LOWER [annulation four inférieur] sur les modèles à double four) pour éteindre le four.

Cuisson au four par convection

Les éléments de convection sont situés dans la partie arrière de la cavité du four et sont assistés par les ventilateurs de convection pour assurer un chauffage efficace et équilibré.



- A. Élément de cuisson au grill
B. Éléments de convection
C. Ventilateurs de convection
D. Élément de cuisson au four

La cuisson au four par convection peut être utilisée pour cuire des gâteaux à étages sur 2 grilles maximum et des aliments tels que des biscuits sur 4 grilles maximum. Si le four est plein, il faudra peut-être allonger la durée de cuisson.

Lors de la cuisson au four d'un repas comportant plusieurs types différents d'aliments, veiller à choisir des recettes nécessitant des températures semblables. Prévoir un espace d'au moins 1" (2,5 cm) entre l'ustensile de cuisson et les parois du four.

Lors du préchauffage pour la cuisson au four par convection, les éléments de convection, de cuisson au four et de cuisson au grill chauffent la cavité du four pendant que le ventilateur fait circuler l'air chaud. Après le préchauffage, les éléments de convection, de cuisson au four et de cuisson au grill ainsi que les ventilateurs fonctionneront par intermittence à intervalles réguliers pour maintenir la température du four.

Si la porte du four est ouverte pendant la cuisson au four par convection, les ventilateurs s'éteignent immédiatement lorsque la porte est ouverte et s'allument immédiatement lorsque la porte est fermée. Les éléments de cuisson par convection, de cuisson au four et de cuisson au grill s'éteignent environ 30 secondes après l'ouverture de la porte. Ils se rallument environ 30 secondes après la fermeture de la porte.

- Réduire la température de la recette de 25°F (14°C). Vérifier les aliments à la durée la plus courte, soit celle recommandée sur l'emballage soit celle de la recette.
- Choisir des tôles à biscuits sans rebords pour que l'air puisse circuler librement autour des aliments.

Avant l'utilisation de la cuisson au four par convection :

Avant d'utiliser la cuisson au four par convection, voir la section "Positionnement des grilles et ustensiles de cuisson au four" et les conseils qui suivent pour le positionnement des grilles.

REMARQUE : Un "o" après un chiffre indiquant la position d'une grille indique que l'on doit utiliser la grille dénivelée. Un "f" indique que l'on doit utiliser la grille plate et un "r" que l'on doit utiliser la grille déployante.

Positions de grille

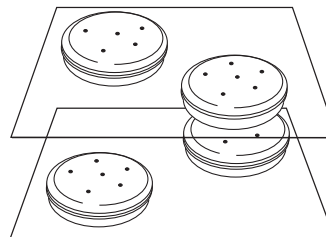
Cuisson au four sur 1 grille : 3f

Cuisson au four sur 2 grilles : 2o et 4f ou 2o et 4r

Cuisson au four sur 3 grilles : 1o, 3f et 5r

Cuisson au four sur 4 grilles : 1o, 2f, 4f et 5r

Pour des résultats optimaux lors de la cuisson au four de gâteaux sur 2 grilles, utiliser les grilles 4r et 2o pour la cuisson au four. Placer les gâteaux sur les grilles tel qu'indiqué.



Utilisation de la cuisson au four par convection :

1. Appuyer sur MODES pour passer au menu Modes.
2. À partir du menu Modes, appuyer sur CUISSON AU FOUR PAR CONVECTION.
3. Après avoir appuyé sur Cuisson au four par convection, l'utilisateur passe à l'écran Température. On peut aussi appuyer sur l'onglet Température pour passer à l'écran Température.
Utiliser le curseur pour entrer une température de cuisson désirée ou appuyer sur les boutons -5°F (-1°C) ou +5°F (+1°C). La température doit être entre 170°F (77°C) et 550°F (288°C).
4. Appuyer sur DÉMARRER pour préchauffer le four.
OU
5. Si l'on souhaite utiliser une durée de cuisson programmée, appuyer sur MINUTERIE NON RÉGLÉE pour passer à l'écran Durée de cuisson. Entrer une durée de cuisson à l'aide du clavier numérique à l'écran pour que la minuterie avertisse l'utilisateur de la fin de la cuisson. La durée de cuisson ne peut pas dépasser 12 h. Le four s'éteint une fois le temps de cuisson écoulé.
6. (Facultatif) Pour garder les aliments au chaud après une durée de cuisson programmée, mettre "Maintien au chaud" en MARCHE à partir de l'écran Durée de cuisson. Voir la section "Option Keep Warm™ (maintien au chaud)" pour plus de renseignements.

7. (Facultatif) Pour régler une mise en marche différée avec durée de cuisson, appuyer sur l'écran MINUTERIE NON RÉGLÉE/DURÉE DE CUISSON et entrer la durée de cuisson désirée. Sélectionner Mise en marche différée, régler l'heure de mise en marche désirée et appuyer sur RÉGLAGE DE CUISSON DIFFÉRÉE. Une autre façon de régler une mise en marche différée consiste à appuyer sur MISE EN MARCHÉ DIFFÉRÉE à partir de l'onglet Température, régler la durée désirée et appuyer sur RÉGLAGE CUISSON DIFFÉRÉE. Voir la section "Mise en marche différée" pour plus de renseignements.
8. Appuyer sur DÉMARRER pour commencer le préchauffage du four.
9. Placer les aliments dans le four lorsque le signal sonore de préchauffage retentit. L'écran indique à l'utilisateur le moment où il doit insérer les aliments. Si une mise en marche différée est programmée, placer les aliments dans le four au moment du réglage du mode.

⚠ AVERTISSEMENT

Risque d'empoisonnement alimentaire

Ne pas laisser des aliments dans un four plus d'une heure avant ou après la cuisson.

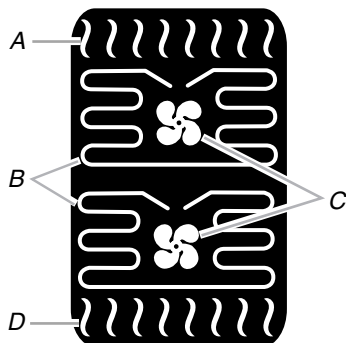
Le non-respect de cette instruction peut causer un empoisonnement alimentaire ou une maladie.

REMARQUE : Ne pas utiliser la mise en marche différée pour des aliments nécessitant le préchauffage du four, comme les gâteaux, les biscuits et le pain. Si l'on place les aliments dans le four durant le préchauffage, ils pourraient être trop cuits.

10. Lorsque la minuterie de cuisson est terminée, on peut démarrer le programme Maintien au chaud s'il n'est pas déjà pré-réglé. Ajouter du temps ou Annuler la minuterie. Pour ajouter du temps, appuyer sur AJOUTER DU TEMPS ou SORTIR MINUTERIE puis régler la minuterie. Entrer la durée souhaitée et sélectionner OK.
11. Lorsque le programme est terminé, appuyer sur CANCEL (annulation) (CANCEL UPPER [annulation four supérieur] ou CANCEL LOWER [annulation four inférieur] sur les modèles à double four) pour éteindre le four.

Préchauffage rapide avec cuisson au four par convection

Le mode de préchauffage rapide avec cuisson au four par convection préchauffe le four plus rapidement que les autres modes. On peut faire cuire au four jusqu'à trois grilles d'aliments tels que des biscuits et 2 grilles de gâteaux à étages.



A. Élément de cuisson au grill
B. Éléments de convection
C. Ventilateurs de convection
D. Élément de cuisson au four

REMARQUE : Réduire la température de la recette de 25°F (14°C) pour cette fonction.

Avant d'utiliser Préchauffage rapide avec cuisson au four par convection :

Avant d'utiliser le préchauffage rapide avec la cuisson au four par convection, voir la section "Positionnement des grilles et ustensiles de cuisson au four" et les conseils qui suivent pour le positionnement des grilles.

REMARQUE : Un "o" après un chiffre indiquant la position d'une grille indique que l'on doit utiliser la grille dénivelée. Un "f" indique que l'on doit utiliser la grille plate, et un "r" que l'on doit utiliser la grille déployante.

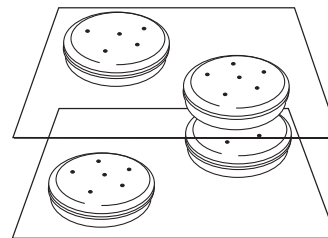
Positions de grille

Cuisson au four sur 1 grille : 3f

Cuisson au four sur 2 grilles : 2o et 4r

Cuisson au four sur 3 grilles : 1f, 4o et 5r ou 1o, 3f et 5r

Pour des résultats optimaux lors de la cuisson au four de gâteaux sur 2 grilles, utiliser les grilles 2o et 4r pour la cuisson au four. Placer les gâteaux sur les grilles tel qu'indiqué.



Utilisation de Préchauffage rapide avec cuisson au four par convection :

1. Appuyer sur MODES pour passer au menu Modes.
2. À partir du menu Modes, appuyer sur PRÉCHAUFFAGE RAPIDE AVEC CUISSON AU FOUR PAR CONVECTION.
3. Après avoir appuyé sur Préchauffage rapide avec cuisson au four par convection, l'utilisateur passe à l'écran Température. On peut aussi appuyer sur l'onglet Température pour passer à l'écran Température.
Utiliser le curseur pour entrer une température de cuisson désirée ou appuyer sur les boutons -5°F (-1°C) ou +5°F (+1°C). La température doit être entre 170°F (77°C) et 550°F (288°C).
4. Appuyer sur DÉMARRER pour commencer le préchauffage du four.
OU
5. Si l'on souhaite utiliser une durée de cuisson programmée, appuyer sur MINUTERIE NON RÉGLÉE pour passer à l'écran Durée de cuisson. Entrer une durée de cuisson à l'aide du clavier numérique à l'écran pour que la minuterie avertisse l'utilisateur de la fin de la cuisson. La durée de cuisson ne peut pas dépasser 12 h. Le four s'éteint une fois le temps de cuisson écoulé.
6. (Facultatif) Pour garder les aliments au chaud après une durée de cuisson programmée, mettre "Maintien au chaud" en MARCHÉ à partir de l'écran Durée de cuisson. Voir la section "Option Keep Warm™ (maintien au chaud)" pour plus de renseignements.
7. (Facultatif) Pour régler une mise en marche différée avec durée de cuisson, appuyer sur l'écran MINUTERIE NON RÉGLÉE/DURÉE DE CUISSON et entrer la durée de cuisson désirée. Sélectionner Mise en marche différée, régler l'heure de mise en marche désirée et appuyer sur RÉGLAGE DE CUISSON DIFFÉRÉE. Une autre façon de régler une mise en marche différée consiste à appuyer sur MISE EN MARCHÉ DIFFÉRÉE à partir de l'onglet Température, régler la durée désirée et appuyer sur RÉGLAGE CUISSON DIFFÉRÉE. Voir la section "Mise en marche différée" pour plus de renseignements.
8. Appuyer sur DÉMARRER pour commencer le préchauffage du four ou pour démarrer la minuterie de mise en marche différée.

- Placer les aliments dans le four lorsque le signal sonore de préchauffage retentit. L'écran indique à l'utilisateur le moment où il peut ajouter les aliments. Si une mise en marche différée est programmée, placer les aliments dans le four au moment du réglage du mode.

AVERTISSEMENT

Risque d'empoisonnement alimentaire

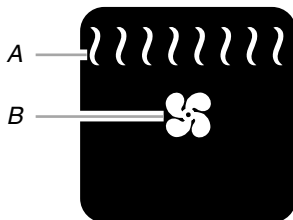
Ne pas laisser des aliments dans un four plus d'une heure avant ou après la cuisson.

Le non-respect de cette instruction peut causer un empoisonnement alimentaire ou une maladie.

REMARQUE : Ne pas utiliser la mise en marche différée pour des aliments nécessitant le préchauffage du four, comme les gâteaux, les biscuits et le pain. Si l'on place les aliments dans le four durant le préchauffage, ils pourraient être trop cuits.

- Lorsque la minuterie de cuisson est terminée, on peut démarrer le programme Maintien au chaud s'il n'est pas déjà pré-réglé. Ajouter du temps ou Annuler la minuterie. Pour ajouter du temps, appuyer sur AJOUTER DU TEMPS ou SORTIR MINUTERIE puis régler la minuterie. Entrer la durée souhaitée et sélectionner OK.
- Lorsque le programme est terminé, appuyer sur CANCEL (annulation) (CANCEL UPPER [annulation four supérieur] ou CANCEL LOWER [annulation four inférieur] sur les modèles à double four) pour éteindre le four.

Cuisson au gril par convection



A. Élément de cuisson au gril
B. Ventilateurs de convection

Durant la cuisson au gril par convection, l'élément de cuisson au gril s'allume et s'éteint par intermittence pour maintenir le four à température constante pendant que le ventilateur fait circuler l'air chaud de façon continue.

La porte du four doit être fermée pour permettre à l'élément de cuisson de fonctionner.

La température est pré-réglée à 550°F (288°C), mais elle peut être modifiée. Les durées de cuisson varient en fonction de la position de la grille et de la température et il peut être nécessaire de les ajuster.

Les ventilateurs s'éteignent dès l'ouverture de la porte et se remettent en marche dès sa fermeture. L'élément de cuisson au gril s'éteint environ 30 secondes après l'ouverture de la porte. Il se mettra de nouveau en marche environ 30 secondes après la fermeture de la porte.

Utilisation de la cuisson au gril par convection :

Avant la cuisson au gril par convection, voir la section "Cuisson au gril" pour des renseignements généraux sur la cuisson au gril.

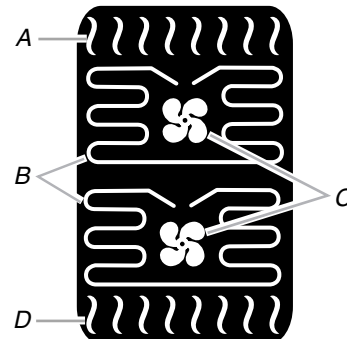
- Placer les aliments dans le four et fermer la porte.
- Appuyer sur l'onglet MODES pour passer au menu Modes.
- Appuyer sur CUISSON AU GRIL PAR CONVECTION.

- Après avoir appuyé sur Cuisson au gril par convection, l'utilisateur passe à l'écran Température. On peut aussi appuyer sur l'onglet Température pour passer à l'écran Température.
Utiliser le curseur pour entrer une température de cuisson désirée ou appuyer sur les boutons -5°F (-1°C) ou +5°F (+1°C). La température doit être entre 450°F (232°C) et 550°F (288°C).
- Appuyer sur DÉMARRER pour entamer la cuisson.
OU
- Si l'on souhaite utiliser une durée de cuisson programmée, appuyer sur MINUTERIE NON RÉGLÉE pour passer à l'écran Durée de cuisson. Entrer une durée de cuisson à l'aide du clavier numérique à l'écran pour que la minuterie avertisse l'utilisateur de la fin de la cuisson. La durée de cuisson ne peut pas dépasser 12 h. Le four s'éteint une fois le temps de cuisson écoulé.
- (Facultatif) Pour garder les aliments au chaud après une durée de cuisson programmée, mettre "Maintien au chaud" en MARCHÉ à partir de l'écran Durée de cuisson. Voir la section "Option Keep Warm™ (maintien au chaud)" pour plus de renseignements.
- (Facultatif) Pour régler une mise en marche différée avec durée de cuisson, appuyer sur l'écran MINUTERIE NON RÉGLÉE/DURÉE DE CUISSON et entrer la durée de cuisson désirée. Sélectionner Mise en marche différée, régler l'heure de mise en marche désirée et appuyer sur RÉGLAGE DE CUISSON DIFFÉRÉE. Une autre façon de régler une mise en marche différée consiste à appuyer sur MISE EN MARCHÉ DIFFÉRÉE à partir de l'onglet Température, régler la durée désirée et appuyer sur RÉGLAGE CUISSON DIFFÉRÉE. Voir la section "Mise en marche différée" pour plus de renseignements.
- Appuyer sur DÉMARRER pour entamer la cuisson ou pour démarrer la minuterie de mise en marche différée.
- Lorsque la minuterie de cuisson est terminée, on peut démarrer le programme Maintien au chaud Ajouter du temps ou appuyer sur Annuler la minuterie. Pour ajouter du temps, appuyer sur AJOUTER DU TEMPS ou SORTIR MINUTERIE puis régler la minuterie. Entrer la durée souhaitée et sélectionner OK.
- Appuyer sur CANCEL (annulation) (CANCEL UPPER [annulation four supérieur] ou CANCEL LOWER [annulation four inférieur] sur les modèles à double four) pour éteindre le four.

Cuisson de pâtisseries par convection

La cuisson de pâtisseries par convection est idéale pour la cuisson au four sur 1, 2 ou 3 grilles tels que les choux à la crème, les chaussons et les croissants.

REMARQUE : La température de la recette ne doit pas être réduite pour la cuisson de pâtisseries par convection.



A. Élément de cuisson au gril
B. Éléments de convection
C. Ventilateurs de convection
D. Élément de cuisson au four

Avant d'utiliser la cuisson de pâtisseries par convection :

Avant d'utiliser la cuisson de pâtisseries par convection, voir la section "Positionnement des grilles et ustensiles de cuisson au four" et suivre les conseils qui suivent pour le positionnement des grilles.

Cuisson au four sur 1 grille : 3f

Cuisson au four sur 2 grilles : 2o et 3r

Cuisson au four sur 3 grilles : 1o, 3f et 5r

REMARQUE : Un "o" après un chiffre indiquant la position d'une grille indique que l'on doit utiliser la grille dénivelée. Un "f" indique que l'on doit utiliser la grille plate, et un "r" que l'on doit utiliser la grille déployante.

Utilisation de la cuisson de pâtisseries par convection :

1. Appuyer sur l'onglet **MODES** pour passer au menu Modes.
2. À partir du menu Modes, appuyer sur **CUISSON DE PÂTISSERIES PAR CONVECTION**.
3. Après avoir appuyé sur Cuisson de pâtisseries par convection, l'utilisateur passe à l'écran Température. On peut aussi appuyer sur l'onglet Température pour passer à l'écran Température. Utiliser le curseur pour entrer une température de cuisson désirée ou appuyer sur les boutons -5°F (-1°C) ou $+5^{\circ}\text{F}$ ($+1^{\circ}\text{C}$). La température doit être comprise entre 170°F (77°C) et 550°F (288°C).
4. Appuyer sur **DÉMARRER** pour commencer le préchauffage du four.
OU
5. Si l'on souhaite utiliser une durée de cuisson programmée, appuyer sur **MINUTERIE NON RÉGLÉE** pour passer à l'écran Durée de cuisson. Entrer une durée de cuisson à l'aide du clavier numérique à l'écran pour que la minuterie avertisse l'utilisateur de la fin de la cuisson. La durée de cuisson ne peut pas dépasser 12:00:00. Le four s'éteint une fois le temps de cuisson écoulé.
6. (Facultatif) Pour garder les aliments au chaud après une cuisson programmée, mettre "Maintien au chaud" en **MARCHE** à partir de l'écran Durée de cuisson. Voir la section "Maintien au chaud" pour plus de renseignements.
7. (Facultatif) Pour régler une mise en marche différée avec durée de cuisson, appuyer sur l'écran **MINUTERIE NON RÉGLÉE/ DURÉE DE CUISSON** et entrer la durée de cuisson désirée. Sélectionner **Mise en marche différée**, régler l'heure de mise en marche désirée et appuyer sur **RÉGLAGE DE CUISSON DIFFÉRÉE**. Une autre façon de régler une mise en marche différée consiste à appuyer sur **MISE EN MARCHÉ DIFFÉRÉE** à partir de l'onglet Température, régler la durée désirée et appuyer sur **RÉGLAGE CUISSON DIFFÉRÉE**. Voir la section "Mise en marche différée" pour plus de renseignements.
8. Appuyer sur **DÉMARRER** pour commencer le préchauffage du four.
9. Placer les aliments dans le four lorsque le signal sonore de préchauffage retentit. L'écran indique à l'utilisateur le moment où il doit insérer les aliments. Si une mise en marche différée est programmée, placer les aliments dans le four au moment du réglage du mode.

AVERTISSEMENT

Risque d'empoisonnement alimentaire

Ne pas laisser des aliments dans un four plus d'une heure avant ou après la cuisson.

Le non-respect de cette instruction peut causer un empoisonnement alimentaire ou une maladie.

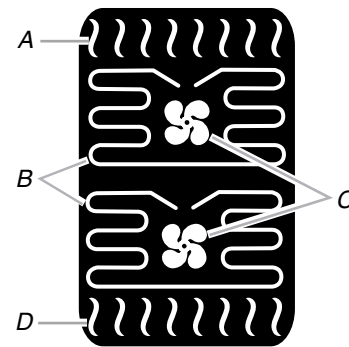
REMARQUE : Ne pas utiliser la mise en marche différée pour des aliments nécessitant le préchauffage du four, comme les gâteaux, les biscuits et le pain. Si l'on place les aliments dans le four durant le préchauffage, ils pourraient être trop cuits.

10. Lorsque la minuterie de cuisson est terminée, on peut démarrer le programme **Maintien au chaud** s'il n'est pas déjà pré-réglé, Ajouter du temps ou Annuler la minuterie. Pour ajouter du temps, appuyer sur **AJOUTER DU TEMPS** ou **SORTIR MINUTERIE** puis régler la minuterie. Entrer la durée souhaitée et sélectionner **OK**.

11. Appuyer sur **CANCEL** (annulation) (**CANCEL UPPER** [annulation four supérieur] ou **CANCEL LOWER** [annulation four inférieur] sur les modèles à double four) pour éteindre le four.

Rôtissage par convection

Le rôtissage par convection peut être utilisé pour le rôtissage des viandes, de la volaille et des légumes. Durant le rôtissage par convection, les éléments de cuisson au gril, de cuisson par convection et de cuisson au four s'allument et s'éteignent par intermittence pour maintenir le four à température constante, tandis que le ventilateur fait circuler l'air chaud. Il n'est pas nécessaire de réduire la température du four lorsqu'on utilise le mode de rôtissage par convection.



A. Élément de cuisson au gril
B. Éléments de convection
C. Ventilateurs de convection
D. Élément de cuisson au four

Si l'on ouvre la porte du four pendant le rôtissage par convection, les ventilateurs s'éteignent immédiatement; si on ferme la porte, ils se mettent immédiatement en marche. Les éléments de cuisson au four, de cuisson au gril et de cuisson par convection s'éteignent environ 30 secondes après l'ouverture de la porte. Ils se remettent de nouveau en marche environ 30 secondes après la fermeture de la porte.

- La durée de cuisson sera réduite de 15 à 30 %.
- Pour des résultats optimaux, utiliser la lèchefrite et la grille conçues pour la récupération des jus de cuisson et qui aident à éviter les éclaboussures et la fumée.

Il est possible de commander un ensemble de lèchefrite. Voir la section "Assistance ou service" pour commander. Demander la pièce numéro W10123240.

Utilisation du rôtissage par convection :

Avant d'utiliser le rôtissage par convection, voir la section "Positionnement des grilles et ustensiles de cuisson au four". Il n'est pas nécessaire de préchauffer le four avant d'y placer l'aliment, sauf si la recette le recommande.

1. Placer les aliments dans le four si aucun préchauffage n'est recommandé.
2. Appuyer sur **MODES** pour passer au menu Modes.
3. À partir du menu Modes, appuyer sur **RÔTISSAGE PAR CONVECTION**.

4. Après avoir appuyé sur Rôtissage par convection, l'utilisateur passe à l'écran Température. On peut aussi appuyer sur l'onglet Température pour passer à l'écran Température.

Utiliser le curseur pour entrer une température de cuisson désirée ou appuyer sur les boutons -5°F (-1°C) ou $+5^{\circ}\text{F}$ ($+1^{\circ}\text{C}$). La température doit être entre 170°F (77°C) et 550°F (288°C).

5. Appuyer sur DÉMARRER pour commencer la cuisson ou le préchauffage.

OU

6. Si l'on souhaite utiliser une durée de cuisson programmée, appuyer sur MINUTERIE NON RÉGLÉE pour passer à l'écran Durée de cuisson. Entrer une durée de cuisson à l'aide du clavier numérique à l'écran pour que la minuterie avertisse l'utilisateur de la fin de la cuisson. La durée de cuisson ne peut pas dépasser 12:00:00. Le four s'éteint une fois le temps de cuisson écoulé.
7. (Facultatif) Pour garder les aliments au chaud après une durée de cuisson programmée, mettre "Maintien au chaud" en MARCHÉ à partir de l'écran Durée de cuisson. Voir la section "Option Keep Warm™ (maintien au chaud)" pour plus de renseignements.
8. (Facultatif) Pour régler une mise en marche différée avec durée de cuisson, appuyer sur l'écran MINUTERIE NON RÉGLÉE/DURÉE DE CUISSON et entrer la durée de cuisson désirée. Sélectionner Mise en marche différée, régler l'heure de mise en marche désirée et appuyer sur RÉGLAGE DE CUISSON DIFFÉRÉE. Une autre façon de régler une mise en marche différée consiste à appuyer sur MISE EN MARCHÉ DIFFÉRÉE à partir de l'onglet Température, régler la durée désirée et appuyer sur RÉGLAGE CUISSON DIFFÉRÉE. Voir la section "Mise en marche différée" pour plus de renseignements.
9. Appuyer sur DÉMARRER pour commencer la cuisson ou le préchauffage du four.
10. Si un préchauffage est recommandé, placer les aliments dans le four lorsque le signal sonore de préchauffage retentit. L'écran indique à l'utilisateur le moment où il doit insérer les aliments.

⚠ AVERTISSEMENT

Risque d'empoisonnement alimentaire

Ne pas laisser des aliments dans un four plus d'une heure avant ou après la cuisson.

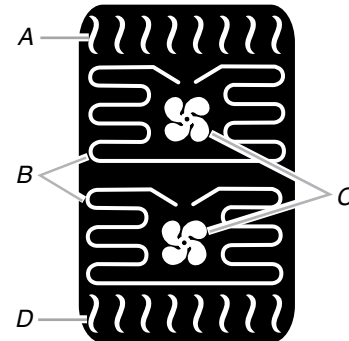
Le non-respect de cette instruction peut causer un empoisonnement alimentaire ou une maladie.

REMARQUE : Ne pas utiliser la mise en marche différée pour des aliments nécessitant le préchauffage du four, comme les gâteaux, les biscuits et le pain. Si l'on place les aliments dans le four durant le préchauffage, ils pourraient être trop cuits.

11. Lorsque la minuterie de cuisson est terminée, on peut démarrer le programme Maintien au chaud s'il n'est pas déjà pré-réglé. Ajouter du temps ou ANNULER la minuterie. Pour ajouter du temps, appuyer sur AJOUTER DU TEMPS ou SORTIR MINUTERIE puis régler la minuterie. Entrer la durée souhaitée et sélectionner OK.
12. Appuyer sur CANCEL (annulation) (CANCEL UPPER [annulation four supérieur] ou CANCEL LOWER [annulation four inférieur] sur les modèles à double four) pour éteindre le four.

Rôtissage lent par convection

Le rôtissage lent par convection est idéal pour les aliments tels que le bœuf, la volaille et le porc. Ce programme cuit les aliments à basse température pendant de longues périodes. La cuisson des aliments peut durer jusqu'à 12 heures. Selon la durée choisie, on doit choisir une certaine fourchette de température. Voir le tableau suivant.



A. Élément de cuisson au grill
B. Éléments de convection
C. Ventilateurs de convection
D. Élément de cuisson au four

Durée de cuisson	Température par défaut	Fourchette de température
4 heures	275°F (135°C)	250 à 300°F (120 à 150°C)
8 heures	225°F (107°C)	200 à 250°F (93 à 120°C)
12 heures	185°F (85°C)	170 à 225°F (77 à 107°C)

- Les aliments doivent être complètement décongelés.
- Couvrir les aliments pour préserver leur humidité naturelle.
- Avant un rôtissage lent, on peut saisir la viande dans une poêle ou la saisir au grill des deux côtés pour la faire dorer davantage et en améliorer le goût et la tendreté.
- Utiliser la position de grille 2o pour de meilleurs résultats.

Utilisation du rôtissage lent par convection :

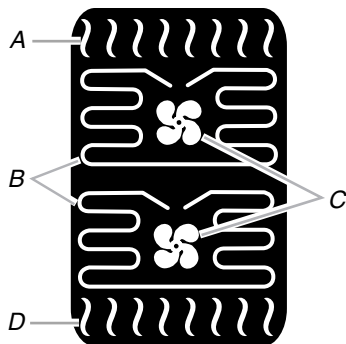
Avant d'utiliser la fonction Rôtissage lent par convection, voir la section "Positionnement des grilles et ustensiles de cuisson au four".

1. Placer les aliments dans le four.
2. Appuyer sur MODES pour passer au menu Modes.
3. À partir du menu Modes, appuyer sur RÔTISSAGE LENT PAR CONVECTION.
4. Après avoir appuyé sur Rôtissage lent par convection, l'utilisateur passe à l'écran Température. On peut aussi appuyer sur l'onglet Température pour passer à l'écran Température.

Utiliser le curseur pour entrer une température de cuisson désirée ou appuyer sur les boutons -5°F (-1°C) ou $+5^{\circ}\text{F}$ ($+1^{\circ}\text{C}$). La température doit être entre 170°F (77°C) et 300°F (150°C). La fourchette de températures dans laquelle l'utilisateur fait sa sélection est basée sur la durée de cuisson sélectionnée.

5. Appuyer sur DÉMARRER pour entamer la cuisson.
OU
6. Si l'on souhaite régler une durée de cuisson différente, appuyer sur l'onglet portant l'indication 04:00:00, 08:00:00 ou 12:00:00 pour passer à l'écran Durée cuisson.
Sélectionner 4 heures, 8 heures ou 12 heures.
7. (Facultatif) Pour garder les aliments au chaud après une durée de cuisson programmée, mettre "Maintien au chaud" en à partir de l'écran Durée de cuisson. Voir la section "Option Keep Warm™ (maintien au chaud)" pour plus de renseignements.
8. (Facultatif) Pour régler une mise en marche différée avec durée de cuisson, appuyer sur l'écran MINUTERIE NON RÉGLÉE/DURÉE DE CUISSON et entrer la durée de cuisson désirée. Sélectionner Mise en marche différée, régler l'heure de mise en marche désirée et appuyer sur RÉGLAGE DE CUISSON DIFFÉRÉE. Une autre façon de régler une mise en marche différée consiste à appuyer sur MISE EN MARCHÉ DIFFÉRÉE à partir de l'onglet Température, régler la durée désirée et appuyer sur RÉGLAGE CUISSON DIFFÉRÉE. Voir la section "Mise en marche différée" pour plus de renseignements.
9. Appuyer sur DÉMARRER pour entamer la cuisson.
10. Lorsque le programme est terminé, appuyer sur CANCEL (annulation) (CANCEL UPPER (annulation four supérieur) ou CANCEL LOWER (annulation four inférieur) sur les modèles à double four) pour éteindre le four.

Convection véritable



- A. Élément de cuisson au grill
B. Éléments de convection
C. Ventilateurs de convection
D. Élément de cuisson au four

La convection véritable est idéale pour la cuisson au four sur 1, 2 ou 3 grilles de produits de boulangerie tels les biscuits. Elle peut aussi être employée pour les gâteaux à étages sur 2 grilles maximum. Durant le préchauffage, les éléments de convection, de cuisson au four et de cuisson au grill fonctionnent par intermittence pour chauffer le four. Après le préchauffage, seuls les éléments de convection et les ventilateurs fonctionnent par intermittence pour maintenir la température du four.

REMARQUE : Réduire la température de la recette de 25°F (14°C) pour cette fonction.

Avant d'utiliser Convection véritable :

Avant d'utiliser Convection véritable, voir la section "Positionnement des grilles et ustensiles de cuisson au four" et les conseils qui suivent pour le positionnement des grilles.

REMARQUE : Un "o" après un chiffre indiquant la position d'une grille indique que l'on doit utiliser la grille dénivelée. Un "f" indique que l'on doit utiliser la grille plate, et un "r" que l'on doit utiliser la grille déployante.

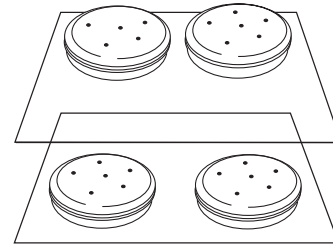
Positions de grille

Cuisson au four sur 1 grille : 3f

Cuisson au four sur 2 grilles : 2o et 3r

Cuisson au four sur 3 grilles : 1o, 3f ou 5r

Pour des résultats optimaux lors de la cuisson au four de gâteaux sur 2 grilles, utiliser les grilles 2o et 4f pour la cuisson au four. Placer les gâteaux sur les grilles tel qu'indiqué.



Pour utiliser Convection véritable :

1. Appuyer sur MODES pour passer au menu Modes.
2. À partir du menu Modes, appuyer sur CONVECTION VÉRITABLE.
3. Après avoir appuyé sur Convection véritable, l'utilisateur passe à l'écran Température. On peut aussi appuyer sur l'onglet Température pour passer à l'écran Température.
Utiliser le curseur pour entrer une température de cuisson désirée ou appuyer sur les boutons -5°F (-1°C) ou +5°F (+1°C). La température doit être entre 170°F (77°C) et 550°F (288°C).
4. Appuyer sur DÉMARRER pour commencer le préchauffage du four.
OU
5. Si l'on souhaite utiliser une durée de cuisson programmée, appuyer sur MINUTERIE NON RÉGLÉE pour passer à l'écran Durée de cuisson. Entrer une durée de cuisson à l'aide du clavier numérique à l'écran pour que la minuterie avertisse l'utilisateur de la fin de la cuisson. La durée de cuisson ne peut pas dépasser 12 h. Le four s'éteint une fois le temps de cuisson écoulé.
6. (Facultatif) Pour garder les aliments au chaud après une durée de cuisson programmée, mettre "Maintien au chaud" en MARCHÉ, à partir de l'écran Durée de cuisson. Voir la section "Maintien au chaud" pour plus de renseignements.
7. (Facultatif) Pour régler une mise en marche différée avec durée de cuisson, appuyer sur l'écran MINUTERIE NON RÉGLÉE/DURÉE DE CUISSON et entrer la durée de cuisson désirée. Sélectionner Mise en marche différée, régler l'heure de mise en marche désirée et appuyer sur RÉGLAGE DE CUISSON DIFFÉRÉE. Une autre façon de régler une mise en marche différée consiste à appuyer sur MISE EN MARCHÉ DIFFÉRÉE à partir de l'onglet Température, régler la durée désirée et appuyer sur RÉGLAGE CUISSON DIFFÉRÉE. Voir la section "Mise en marche différée" pour plus de renseignements.
8. Appuyer sur DÉMARRER pour commencer le préchauffage du four.
9. Placer les aliments dans le four lorsque le signal sonore de préchauffage retentit. L'écran indique à l'utilisateur le moment où il doit insérer les aliments. Si une mise en marche différée est programmée, placer les aliments dans le four au moment du réglage du mode.

⚠ AVERTISSEMENT

Risque d'empoisonnement alimentaire

Ne pas laisser des aliments dans un four plus d'une heure avant ou après la cuisson.

Le non-respect de cette instruction peut causer un empoisonnement alimentaire ou une maladie.

REMARQUE : Ne pas utiliser la mise en marche différée pour des aliments nécessitant le préchauffage du four, comme les gâteaux, les biscuits et le pain. Si l'on place les aliments dans le four durant le préchauffage, ils pourraient être trop cuits.

10. Lorsque la minuterie de cuisson est terminée, on peut démarrer le programme Maintien au chaud s'il n'est pas déjà pré-réglé. Ajouter du temps ou appuyer sur Annuler la minuterie. Pour ajouter du temps, appuyer sur AJOUTER DU TEMPS ou SORTIR MINUTERIE puis régler la minuterie. Entrer la durée souhaitée et sélectionner OK.
11. Lorsque le programme est terminé, appuyer sur CANCEL (annulation) (CANCEL UPPER [annulation four supérieur] ou CANCEL LOWER [annulation four inférieur] sur les modèles à double four) pour éteindre le four.

Conversion automatique pour convection

Les températures et/ou durées par convection peuvent être différentes de celles de la cuisson standard. Lorsque c'est nécessaire, le four peut réduire automatiquement les températures et/ou les durées de cuisson des recettes standard pour la cuisson par convection.

En sélectionnant Conversion automatique pour convection, l'utilisateur peut sélectionner une catégorie pour entrer la température et la durée en fonction des instructions de la recette ou de l'emballage.

La conversion peut ne pas être exacte car les aliments sont regroupés en catégories générales.

Utilisation de la conversion automatique pour convection :

1. À partir de la touche Accueil, appuyer sur CONVERSION AUTOMATIQUE POUR CONVECTION.
2. Sélectionner un mode de conversion automatique de recette par convection :

Cuisson au four par convection	Mets en sauce, gâteaux, produits de boulangerie, biscuits
Rôtissage par convection	Poulet/dinde entier/entière, légumes, rôtis de porc/bœuf
Cuisson au gril par convection	Steaks, filets, côtes de porc, poitrines de poulet, crevettes
Cuisson de pâtisseries par convection	Tarte surgelée, chaussons, choux à la crème et pâte feuilletée
Réglage manuel	Voir tous les modes manuels pour passer le processus de mise à jour de recette

3. Entrer une température de cuisson standard. Utiliser le curseur pour entrer la température de cuisson souhaitée ou appuyer sur les boutons -5°F (-1°C) ou $+5^{\circ}\text{F}$ ($+1^{\circ}\text{C}$).
4. Choisir PASSER MINUTERIE ou RÉGLER MINUTERIE.
5. Si l'on a sélectionné Régler minuterie, entrer la durée de cuisson standard à l'aide du clavier numérique à l'écran.
6. Appuyer sur SUIVANT.

7. Appuyer sur MARCHÉ ou ARRÊT sur le bouton Rappel. Ceci rappelle à l'utilisateur de vérifier l'aliment lorsqu'il reste 20 % du temps de la minuterie.
8. Si l'utilisateur choisit Passer minuterie, on doit passer en revue les réglages convertis pour pouvoir régler la fonction Rappel et Mise en marche différée.
9. La valeur de la minuterie de cuisson affiche "Pas réglée".
10. Appuyer sur DÉMARRER pour commencer le préchauffage du four ou sur MISE EN MARCHÉ DIFFÉRÉE pour utiliser le réglage converti lorsque la durée différée est écoulée. Voir la section "Mise en marche différée" pour plus de renseignements.
11. Placer les aliments dans le four lorsque le signal sonore de préchauffage retentit. L'écran indique à l'utilisateur le moment où il doit insérer les aliments. Si une mise en marche différée est programmée, placer les aliments dans le four au moment du réglage du mode.

⚠ AVERTISSEMENT

Risque d'empoisonnement alimentaire

Ne pas laisser des aliments dans un four plus d'une heure avant ou après la cuisson.

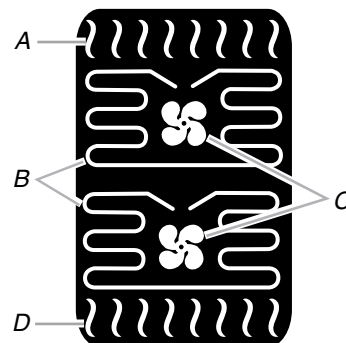
Le non-respect de cette instruction peut causer un empoisonnement alimentaire ou une maladie.

REMARQUE : Ne pas utiliser la mise en marche différée pour des aliments nécessitant le préchauffage du four, comme les gâteaux, les biscuits et le pain. Si l'on place les aliments dans le four durant le préchauffage, ils pourraient être trop cuits.

12. Lorsque la minuterie de cuisson est terminée, on peut démarrer le programme Maintien au chaud s'il n'est pas déjà pré-réglé. Ajouter du temps ou Annuler la minuterie. Pour ajouter du temps, appuyer sur AJOUTER DU TEMPS ou SORTIR MINUTERIE, puis régler la minuterie. Entrer la durée désirée et appuyer sur OK.
13. Appuyer sur CANCEL (annulation) (CANCEL UPPER [annulation four supérieur] ou CANCEL LOWER [annulation four inférieur] sur les modèles à double four) pour éteindre le four.

Levée

Le programme Levée prépare la pâte pour la cuisson au four en activant la levure. Suivre les instructions de la recette ou de l'emballage pour connaître le nombre de levées qui doit être effectué.



- A. Élément de cuisson au gril
- B. Éléments de convection
- C. Ventilateurs de convection
- D. Élément de cuisson au four

Utilisation de Levée :

Avant la première levée, placer la pâte dans un bol légèrement graissé et le couvrir. Placer le bol sur la position de grille 3. Voir la section "Positionnement des grilles et ustensiles de cuisson au four" pour des conseils.

1. Placer les aliments dans le four et fermer la porte.
2. Appuyer sur **MODES** pour passer au menu Modes.
3. À partir du menu Modes, appuyer sur **LEVÉE**.
4. Après avoir appuyé sur Levée, l'écran Température apparaîtra ou appuyer sur la touche Température pour passer à l'écran Température. La température est réglée à 100°F (38°C) et ne peut pas être modifiée.
5. Appuyer sur **DÉMARRER** pour démarrer la levée.
OU
6. Si l'on souhaite une durée de cuisson programmée, appuyer sur **MINUTERIE NON RÉGLÉE** pour accéder à l'écran de durée de cuisson. Entrer une durée de cuisson à l'aide du clavier numérique à l'écran pour que la minuterie avertisse l'utilisateur de la fin de la cuisson. La durée de cuisson ne peut pas dépasser 12 h. Le four s'éteindra une fois la durée de cuisson écoulée.
7. (Facultatif) Pour régler une mise en marche différée avec durée de cuisson, appuyer sur **MINUTERIE NON RÉGLÉE/ DURÉE DE CUISSON** et régler la durée souhaitée. Sélectionner Mise en marche différée, entrer l'heure de début de cuisson désirée et appuyer sur **RÉGLAGE CUISSON DIFFÉRÉE**. Une seconde façon de régler la mise en marche différée est d'appuyer sur le bouton **MISE EN MARCHÉ DIFFÉRÉE** à partir de l'onglet Température, d'entrer l'heure de début de cuisson désirée et d'appuyer sur **RÉGLAGE CUISSON DIFFÉRÉE**. Voir la section "Mise en marche différée" pour plus de renseignements.
8. Appuyer sur **DÉMARRER** pour démarrer la cuisson ou la minuterie de mise en marche différée.
9. Lorsque la minuterie de cuisson est terminée, on peut ajouter du temps ou annuler la minuterie. Pour ajouter du temps, appuyer sur **AJOUTER DU TEMPS** ou **SORTIR MINUTERIE**, puis régler la minuterie. Entrer la durée désirée et appuyer sur **OK**.
10. Appuyer sur **CANCEL (annulation) (CANCEL UPPER [annulation four supérieur] ou CANCEL LOWER [annulation four inférieur] sur les modèles à double four)** pour éteindre le four.

Avant d'effectuer une seconde levée, mettre la pâte en forme, la placer dans un/des ustensile(s) de cuisson au four et couvrir sans serrer. Reprendre le même placement et contrôler les étapes mentionnées ci-dessus. Avant la cuisson au four, retirer le couvercle de protection.

Levée rapide

Levée rapide est utilisée pour faire lever la pâte surgelée ou moulée. Le mode Levée rapide nécessite le préchauffage du four.

Utilisation de Levée rapide :

1. À partir de l'onglet Accueil, appuyer sur **CENTRE CULINAIRE**.
2. Sélectionner la catégorie Pain, puis utiliser les flèches de navigation vers le haut ou vers le bas jusqu'à Levée, à droite de l'écran. Appuyer sur Levée Rapide puis sélectionner Suivant.
3. Sélectionner les ustensiles que l'on utilise puis sélectionner Suivant.
4. Après avoir appuyé sur Levée rapide, passer à l'écran Température ou appuyer sur la touche Température pour passer à l'écran Température.
Utiliser le curseur pour entrer une température de cuisson désirée ou appuyer sur les boutons -5°F (-1°C) ou +5°F (+1°C). La température doit être comprise entre 170°F (77°C) et 200°F (93°C); sélectionner ensuite Suivant.

5. Entrer la durée de levage à l'aide du clavier numérique à l'écran. La durée de cuisson ne peut pas dépasser 12 h.
6. Appuyer sur Suivant et passer en revue les réglages et voir plus de renseignements. Suivre les instructions à l'écran pour obtenir des conseils supplémentaires.
7. Placer les aliments dans le four lorsque le signal sonore de préchauffage retentit. L'écran indique à l'utilisateur le moment où il peut ajouter les aliments.
8. Lorsque le programme est terminé, appuyer sur **CANCEL (annulation) (CANCEL UPPER [annulation four supérieur] ou CANCEL LOWER [annulation four inférieur] sur les modèles à double four)** pour éteindre le four. Le four s'éteindra une fois la durée écoulée.

Minuterie de cuisson

La minuterie de cuisson permet au four d'effectuer une cuisson pendant une durée programmée. On peut accéder à la minuterie de cuisson en appuyant sur **MINUTERIE DE CUISSON** ou **MINUTERIE NON RÉGLÉE** selon que ces fonctions sont disponibles ou non.

Le compte à rebours de la minuterie de cuisson est mis en marche de plusieurs manières :

- Le fait d'appuyer sur **DÉMARRER LA MINUTERIE** démarre immédiatement le compte à rebours.
- Si l'on ouvre puis referme la porte avant la fin du préchauffage, la minuterie démarre dès la fin du préchauffage.
- Si l'on ouvre puis referme la porte une fois le préchauffage terminé, le compte à rebours démarre immédiatement.
- Si aucune des actions mentionnées ci-dessus ne s'est produite, le compte à rebours de la minuterie de cuisson démarre automatiquement 2 minutes après le signal sonore de préchauffage.

La commande signale à l'utilisateur lorsqu'il reste 20 % du temps de cuisson.

Utilisation de la minuterie de cuisson :

1. Appuyer sur **MINUTERIE DE CUISSON** à partir de l'écran d'accueil ou appuyer sur **MINUTERIE NON RÉGLÉE** selon que ces fonctions sont disponibles ou non.
2. Sélectionner l'onglet Minuterie ou Minuterie non réglée.
3. Sélectionner la durée de cuisson souhaitée à l'aide du clavier numérique à l'écran. La durée de cuisson ne peut pas dépasser 12h.
4. Appuyez sur **DÉMARRER** pour préchauffer le four.
5. (Facultatif) Pour garder les aliments au chaud une fois leur cuisson terminée, activer **Maintien au chaud**. Voir la section Option "Keep Warm™" pour plus de renseignements.
6. (Facultatif) Pour régler une mise en marche différée, appuyer sur **MISE EN MARCHÉ DIFFÉRÉE** et régler l'heure souhaitée. Voir la section "Mise en marche différée" pour plus de renseignements.
7. Placer les aliments dans le four lorsque le signal sonore de préchauffage retentit. L'écran indique à l'utilisateur le moment où il doit insérer les aliments. Si une mise en marche différée est programmée, placer les aliments dans le four au moment du réglage du mode.

AVERTISSEMENT

Risque d'empoisonnement alimentaire

Ne pas laisser des aliments dans un four plus d'une heure avant ou après la cuisson.

Le non-respect de cette instruction peut causer un empoisonnement alimentaire ou une maladie.

REMARQUE : Ne pas utiliser la mise en marche différée pour des aliments nécessitant le préchauffage du four, comme les gâteaux, les biscuits et le pain. Si l'on place les aliments dans le four durant le préchauffage, ils pourraient être trop cuits.

- Une fois la minuterie de cuisson écoulée, si l'on souhaite prolonger la cuisson, sélectionner AJOUTER DU TEMPS. On peut ajouter du temps en sélectionnant Réinitialisation, ce qui ramène la durée à celle précédemment réglée, ou en ajoutant AJOUTER 1 MIN., AJOUTER 5 MIN. ou AJOUTER 15 MIN. Le fait de sélectionner AJOUTER 1 MIN., AJOUTER 5 MIN. ou AJOUTER 15 MIN. permet de régler la durée par tranches de 1, 5 ou 15 minutes. Si l'on souhaite utiliser la fonction Maintien au chaud et que celle-ci n'était pas précédemment réglée, sélectionner Maintien au chaud une fois la minuterie de cuisson écoulée.

Sonde thermométrique

AVERTISSEMENT



Risque de brûlures

Utiliser des mitaines de four pour retirer la sonde thermométrique.

Ne pas toucher l'élément du grill.

Le non-respect de ces instructions peut causer des brûlures.

La sonde thermométrique mesure précisément la température interne de la viande, de la volaille et des mets en sauce et doit être utilisée pour déterminer le degré de cuisson des aliments. Elle peut être utilisée avec Cuisson au four, Cuisson au four par convection, Rôtissage par convection et avec certains modes du Centre culinaire. Le four émet un bip lorsque les aliments atteignent la température cible.

Toujours débrancher et retirer la sonde thermométrique du four lorsqu'on retire les aliments.

Utilisation de la sonde thermométrique :

Avant l'utilisation, insérer la sonde à l'intérieur de l'aliment. Pour les viandes, l'extrémité de la sonde doit se trouver au centre de la partie la plus épaisse de la viande et non dans le gras ni au contact d'un os.

REMARQUE : Retirer toute grille non utilisée qui se trouverait au-dessus des aliments.

Placer les aliments dans le four et connecter la sonde thermométrique au connecteur. Maintenir la sonde aussi loin que possible de la source de chaleur. Fermer la porte du four.

- À partir de l'onglet Accueil, appuyer sur le bouton SONDE.

- Sélectionner Cuisson au four par convection, Rôtissage par convection ou Cuisson au four pour obtenir de l'aide culinaire, appuyer sur CONVECTION : VOIR LES ALIMENTS. En sélectionnant Convection : Voir les aliments, l'utilisateur entre dans le menu Centre culinaire et doit faire des sélections du type degré de cuisson favori et plat utilisé. Certains aliments du Centre culinaire ne nécessitent pas l'utilisation de la sonde thermométrique. À mesure que l'on progresse d'un écran à l'autre, des descriptions et conseils propres aux sélections effectuées apparaissent. Voir la section "Centre culinaire" pour plus de renseignements.

- Selon que la sonde est insérée ou non, l'affichage indique : "Sonde : non insérée" ou "Sonde : insérée".

REMARQUE : Insérer l'aliment et la sonde avant de chauffer le four.

- Appuyer sur CUISSON AU FOUR PAR CONVECTION, RÔTISSAGE PAR CONVECTION ou CUISSON AU FOUR. Le fait de sélectionner ces boutons amène l'utilisateur à l'onglet Sonde thermométrique, avec la méthode automatiquement sélectionnée ainsi qu'une température par défaut adéquate.
- Utiliser les boutons -5°F (-1°C) ou +5°F (+1°C) pour régler la température de la sonde. La température par défaut est 160°F (71°C). La température doit être comprise entre 130°F (54°C) et 185°F (85°C).

REMARQUE : Utiliser le tableau sur l'écran pour déterminer le réglage de la sonde thermométrique. Les aliments doivent être retirés du four lorsque la sonde thermométrique l'indique, puis être couverts et reposer pendant 10 à 15 minutes. Ce délai de 10 à 15 minutes permet à la température des aliments d'atteindre votre degré de cuisson désiré.

- Pour modifier la température du four, appuyer sur l'onglet Température pour passer à l'écran de température. Utiliser le curseur pour entrer la température de cuisson souhaitée ou appuyer sur les boutons -5°F (-1°C) ou +5°F (+1°C). La température doit être comprise entre 170°F (77°C) et 550°F (288°C).
- Pour régler une mise en marche différée, appuyer sur Mise en marche différée et régler la durée souhaitée. Voir la section "Mise en marche différée" pour plus de renseignements.
- Pour annuler la température de la sonde tout en conservant le mode et la température de cavité actuels, appuyer sur le bouton ANNULER SONDE.
- Appuyer sur DÉMARRER pour entamer la cuisson avec la sonde.
- À la fin de certaines fonctions qui utilisent la sonde, l'option de faire dorer davantage est offerte. Si l'on sélectionne Faire dorer davantage, surveiller les aliments et les retirer du four lorsque les aliments sont jugés suffisamment dorés.

Mise en marche différée

AVERTISSEMENT

Risque d'empoisonnement alimentaire

Ne pas laisser des aliments dans un four plus d'une heure avant ou après la cuisson.

Le non-respect de cette instruction peut causer un empoisonnement alimentaire ou une maladie.

La mise en marche différée permet au(x) four(s) d'être programmé(s) pour se mettre en marche à une certaine heure.

La mise en marche différée ne doit pas être utilisée pour les aliments tels que le pain ou les gâteaux car ils risquent de ne pas bien cuire.

La fonction de mise en marche différée est disponible avec n'importe quel programme pour lequel le bouton de mise en marche différée apparaît.

Pour régler une mise en marche différée :

1. À partir de n'importe quel programme pour lequel le bouton de mise en marche différée est disponible, appuyer sur MISE EN MARCHÉ DIFFÉRÉE (Mise en marche différée est disponible sur l'écran Minuterie non réglée/Durée de cuisson ou sur l'écran Température).
2. À l'aide du curseur, régler l'heure à laquelle on souhaite que le four commence à chauffer en entrant la durée souhaitée ou en appuyant sur les boutons "-15 min" ou "+15 min". Ces boutons diminuent ou augmentent la durée sélectionnée et déplacent le curseur.
3. Appuyer sur RÉGLER MISE EN MARCHÉ DIFFÉRÉE.
4. Pour modifier le réglage précédent de la mise en marche différée, appuyer sur Heure de mise en marche, réaliser les modifications nécessaires et appuyer sur MISE EN MARCHÉ DIFFÉRÉE.

Mise en marche différée avec minuterie de cuisson :

1. Si l'on souhaite utiliser une mise en marche différée avec la minuterie de cuisson, sélectionner Minuterie non réglée ou Minuterie de cuisson.
2. Programmer la durée de cuisson souhaitée.
3. (Facultatif) Appuyer sur Mise en marche différée. La différence entre l'heure de début et l'heure de fin de cuisson doit être égale à la durée de cuisson.
4. (Facultatif) Sélectionner Maintien au chaud : MARCHÉ pour régler l'activation du Maintien au chaud une fois la durée de cuisson terminée.
5. Utiliser le curseur pour entrer l'heure de début et de fin de cuisson désirée ou appuyer sur les boutons "-15 min" ou "+15 min". Ces boutons diminuent ou augmentent la durée sélectionnée de début/fin de cuisson et déplacent le curseur.
6. Appuyer sur RÉGLER MISE EN MARCHÉ DIFFÉRÉE.

Mise en marche différée avec sonde :

⚠ AVERTISSEMENT



Risque de brûlures

Utiliser des mitaines de four pour retirer la sonde thermométrique.

Ne pas toucher l'élément du gril.

Le non-respect de ces instructions peut causer des brûlures.

1. Si l'on choisit d'utiliser une mise en marche différée alors que la sonde est en cours d'utilisation, sélectionner Mise en marche différée lorsque l'on se trouve à l'écran Température sonde, puis sélectionner l'heure à laquelle on souhaite que la cuisson commence. La sonde contrôlant l'heure de fin de cuisson, l'heure de fin de cuisson n'apparaît pas.
2. Utiliser le curseur pour entrer l'heure de début de cuisson ou appuyer sur les boutons "-15 min" ou "+15 min". Ces boutons diminuent ou augmentent la durée sélectionnée et déplacent le curseur.
3. Le four maintient automatiquement les aliments au chaud une fois que la sonde a atteint la température cible.

4. Appuyer sur RÉGLER MISE EN MARCHÉ DIFFÉRÉE.

Nettoyage différé

1. Si l'on souhaite utiliser Nettoyage différé, sélectionner Mise en marche différée après avoir sélectionné le niveau de nettoyage. Sélectionner l'heure à laquelle on souhaite que le nettoyage commence. Le four calcule l'heure de fin en fonction du niveau de nettoyage choisi.
2. Utiliser le curseur pour entrer l'heure de début et de fin de cuisson désirée ou appuyer sur les boutons "-15 min" ou "+15 min". Ces boutons diminuent ou augmentent la durée de début/fin et déplacent le curseur.
3. Le four refroidit pendant une heure supplémentaire une fois le nettoyage terminé.
4. Appuyer sur RÉGLER MISE EN MARCHÉ DIFFÉRÉE.

ENTRETIEN DU FOUR

Autonettoyage CustomClean™ avec niveaux réglables et autoverrouillage

⚠ AVERTISSEMENT



Risque de brûlures

Ne pas toucher le four au cours du programme d'autonettoyage.

Garder les enfants loin du four au cours du programme d'autonettoyage.

Le non-respect de ces instructions peut causer des brûlures.

IMPORTANT : La santé de certains oiseaux est très sensible aux émanations qui se dégagent durant le programme d'autonettoyage. L'exposition aux émanations peut entraîner la mort de certains oiseaux. Toujours déplacer les oiseaux dans une autre pièce fermée et bien aérée.

Procéder à l'autonettoyage du four avant qu'il ne devienne très sale. Les saletés intenses nécessitent un nettoyage plus long et dégagent plus de fumée.

Veiller à ce que la cuisine soit bien aérée pendant le programme d'autonettoyage afin d'aider à éliminer la chaleur, les odeurs et la fumée.

Ne pas obstruer le ou les évent(s) du four durant le programme d'autonettoyage. L'air doit pouvoir circuler librement. Selon votre modèle, voir la section "Évent du four" ou "Événements du four".

Ne pas nettoyer, frotter, endommager ou déplacer le joint d'étanchéité de la porte du four. Le joint de la porte est essentiel pour une bonne étanchéité.

Préparation du four :

- Sortir du four la lèchefrite, la grille, les ustensiles de cuisson et de cuisson au four et, sur certains modèles, la sonde thermométrique.
- Sortir les grilles du four pour les garder brillantes et pour qu'elles glissent facilement. Voir la section "Nettoyage général" pour plus de renseignements.

- Enlever tout papier d'aluminium du four; celui-ci risquerait de brûler ou de fondre et d'endommager le four.
- Nettoyer manuellement l'intérieur de la porte et une zone de 1½" (3,8 cm) sur le pourtour du cadre de la cavité du four, en prenant soin de ne pas déplacer ni plier le joint d'étanchéité. Cette zone ne devient pas assez chaude au cours du programme d'autonettoyage pour pouvoir éliminer la saleté. Ne pas laisser de l'eau, un nettoyant, etc. pénétrer dans les fentes du cadre de la porte. Nettoyer avec un chiffon humide.
- Essuyer toute saleté décollée afin de réduire la fumée et d'éviter les dommages. À des températures élevées, les aliments réagissent avec la porcelaine. Cette réaction peut causer des taches, des attaques, des piqûres ou de légères taches blanches. Ceci n'affectera pas la performance de cuisson.

Comment fonctionne ce programme :

IMPORTANT : Le chauffage et le refroidissement de la porcelaine sur l'acier dans le four peuvent causer une décoloration, une perte de lustre, des fissures minuscules et des craquements.

Le programme d'autonettoyage CustomClean™ utilise des températures très élevées pour le nettoyage, brûlant les saletés pour les réduire en cendre.

Lorsque le four a complètement refroidi, retirer la cendre avec un chiffon humide. Afin d'éviter de briser le verre, ne pas appliquer de chiffon humide et froid sur la partie interne du hublot de la porte avant qu'il n'ait complètement refroidi.

Les lampes du four ne fonctionnent pas durant le programme d'autonettoyage.

Sur les modèles à double four, seul un four à la fois peut effectuer un autonettoyage. Lorsqu'un four effectue un programme d'autonettoyage, l'autre four ne peut pas être réglé ni allumé.

REMARQUE : Pendant l'autonettoyage, le(s) moteur(s) de ventilateur fonctionnera/fonctionneront à la vitesse la plus élevée pour augmenter le flux d'air et faciliter l'évacuation de l'air à travers l'évent/les événements du four. Une augmentation du bruit peut être constatée pendant et après le programme d'autonettoyage jusqu'au refroidissement du four.

Autonettoyage :

1. À partir des menus Modes ou Réglage, appuyer sur le bouton AUTONETTOYAGE.
2. Si l'on accède au mode Autonettoyage au moyen du menu de réglage sur les fours doubles, sélectionner le four que l'on veut nettoyer : Upper (supérieur) ou Lower (inférieur), puis appuyer sur SUIVANT.
3. Deux messages apparaissent sur l'écran :
 - Retirer toutes les grilles et tous les plats du four. Il est possible que les grilles se décolorent et glissent difficilement après un programme d'Autonettoyage.
 - Nettoyer le cadre du four et le cadre de la porte à l'aide d'un agent nettoyant non abrasif car ils ne sont pas exposés aux températures de nettoyage. Ne pas nettoyer le joint d'étanchéité.
4. Appuyer sur SUIVANT.
5. Sélectionner le niveau de nettoyage en appuyant sur les boutons : Léger (2 heures), Moyen (3 heures) ou Intense (4 heures).

REMARQUE : Le four refroidit pendant une heure supplémentaire une fois le nettoyage terminé.
6. Pour régler une mise en marche différée, appuyer sur MISE EN MARCHÉ DIFFÉRÉE. Voir la section "Mise en marche différée" pour plus de renseignements.
7. Appuyer sur DÉMARRER. La (ou les) porte(s) se verrouille(nt).

Pour arrêter le programme d'autonettoyage à tout moment :

Appuyer sur CANCEL OVEN (annulation four) (CANCEL UPPER [annulation four supérieur] ou CANCEL LOWER [annulation four inférieur] sur les modèles à double four). Si la température du four est trop élevée, la porte reste verrouillée. Elle ne se déverrouille pas tant que le four n'a pas refroidi.

Nettoyage général

IMPORTANT : Avant le nettoyage, s'assurer que toutes les commandes sont désactivées et que le four est froid. Toujours suivre les instructions figurant sur les étiquettes des produits de nettoyage.

Du savon, de l'eau et un chiffon doux ou une éponge sont recommandés à moins d'indication contraire.

ACIER INOXYDABLE (sur certains modèles)

Afin d'éviter d'endommager les surfaces en acier inoxydable, ne pas utiliser de tampons à récurer savonneux, de nettoyants abrasifs, de nettoyant pour table de cuisson, de tampons en laine d'acier, de chiffons de lavage rêches ou d'essuie-tout abrasifs.

Méthode de nettoyage :

Frotter dans la direction du grain pour éviter tout dommage.

- Détergent liquide ou nettoyant tout-usage :
Rincer à l'eau propre et sécher avec un chiffon doux sans charpie.
- Vinaigre pour les taches d'eau dure.

EXTÉRIEUR DE LA PORTE DU FOUR

Méthode de nettoyage :

- Nettoyant à vitre et chiffon doux ou éponge :
Appliquer le nettoyant à vitre sur un chiffon doux ou une éponge, et non pas directement sur le panneau.

INTÉRIEUR DE LA PORTE DU FOUR

Méthode de nettoyage :

- Programme d'autonettoyage :
Pour un nettoyage optimal de la porte, essuyer tout dépôt avec une éponge humide avant de lancer le programme.

TABLEAU DE COMMANDE

Activer la fonction de verrouillage des commandes pour éviter d'activer l'écran tactile au cours du nettoyage. Voir la section "Verrouillage des commandes".

Afin d'éviter d'endommager le tableau de commande, ne pas utiliser de nettoyants abrasifs, de tampons en laine d'acier, de chiffons de lavage rêches ou d'essuie-tout abrasifs.

Méthode de nettoyage :

- Nettoyant à vitre et chiffon doux ou éponge :
Appliquer le nettoyant à vitre sur un chiffon doux ou une éponge, et non pas directement sur le tableau.

CAVITÉ DU FOUR

Ne pas utiliser de nettoyants à four.

Les renversements alimentaires doivent être nettoyés lorsque le four a refroidi. À des températures élevées, les aliments réagissent avec la porcelaine et cette réaction peut entraîner la formation de taches, d'un film de silice, de piqûres ou de légères taches blanches.

Méthode de nettoyage :

- Programme d'autonettoyage : Voir d'abord "Autonettoyage CustomClean™ avec niveaux réglables et autoverrouillage".

GRILLES DU FOUR

Méthode de nettoyage :

- Programme d'autonettoyage : Voir d'abord "Autonettoyage CustomClean™ avec niveaux réglables et autoverrouillage". Retirer les grilles, sinon elles se décoloreront et glisseront plus difficilement. Le cas échéant, une légère couche d'huile végétale appliquée sur les glissières facilitera le glissement des grilles.
- Tampon en laine d'acier

Lampes du four

Les lampes du four sont des ampoules à halogène de 120 volts, 25 watts maximum. Elles s'allument à l'ouverture de la porte du four. Sur les modèles à double four, les lampes supérieure et inférieure s'allument lorsque l'une des deux portes est ouverte. Les lampes du four ne fonctionnent pas durant le programme d'autonettoyage. Lorsque la porte du four est fermée, appuyer sur LIGHT (lampe) pour allumer ou éteindre la lampe.

Changement d'une ampoule :

Avant de procéder au remplacement, s'assurer que le four est éteint et froid.

1. Déconnecter la source de courant électrique.
2. Ôter le couvercle en verre de la lampe en saisissant le bord avant et en tirant pour l'écartier du four.
3. Ôter l'ampoule de la douille.
4. Remplacer l'ampoule en la manipulant avec un mouchoir de papier ou des gants de coton. Pour éviter d'endommager ou de réduire la longévité de l'ampoule neuve, ne pas toucher l'ampoule avec les doigts nus.
5. Réinstaller le couvercle de l'ampoule en l'emboîtant dans la paroi.
6. Reconnecter la source de courant électrique.

Porte du four

⚠ AVERTISSEMENT

Risque du poids excessif

Utiliser deux personnes ou plus pour déplacer et installer les portes du four.

Le non-respect de cette instruction peut causer une blessure au dos ou d'autre blessure.

IMPORTANT :

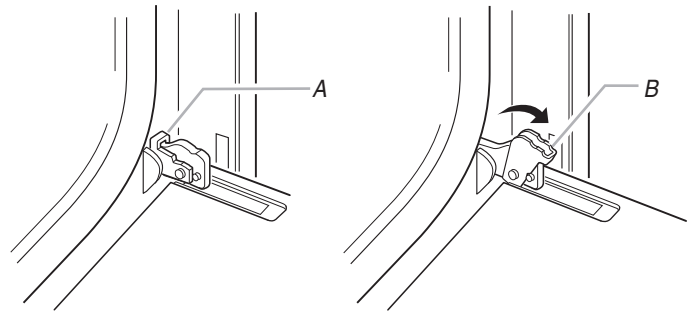
Pour éviter de briser la vitre de la porte du four :

- Ne pas fermer la porte du four si les grilles ne sont pas complètement insérées dans la cavité du four ou lorsque les ustensiles de cuisson au four dépassent du bord avant d'une grille du four.
- Ne pas entreposer d'objets sur la vitre de la porte du four.
- Ne pas frapper la vitre avec des ustensiles de cuisson au four ou d'autres objets.
- Ne pas essuyer les vitres avant que le four n'ait complètement refroidi.

Il n'est pas conseillé d'enlever la porte du four dans le cadre d'une utilisation normale. Toutefois, si la dépose est nécessaire, s'assurer que le four est éteint et froid. Ensuite, suivre les instructions qui suivent. La porte du four est lourde.

Dépose :

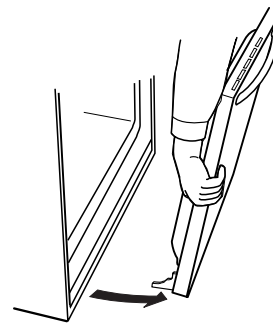
1. Ouvrir la porte du four complètement.
2. Identifier les loquets de la porte du four dans les deux angles de la porte et faire pivoter les loquets vers l'avant jusqu'à la position de déverrouillage.



A. Loquet de porte du four en position de verrouillage

B. Loquet de porte du four en position de déverrouillage

3. Saisir les bords de la porte du four avec les deux mains et effectuer une manœuvre de fermeture de la porte du four, jusqu'à la position où la fermeture de la porte n'est plus possible. Soulever et tirer la porte du four vers soi et enlever la porte.
4. Conserver la/les porte(s) du four à part sur une surface de travail couverte.



Réinstallation :

1. Insérer les deux bras de suspension dans la porte.



2. Ouvrir la porte du four. Vous devriez entendre un déclic lors de la mise en place de la porte.
3. Remettre les loquets à la position verrouillée. Vérifier que la porte s'ouvre et se ferme facilement. Si tel n'est pas le cas, répéter le processus de dépose et d'installation de la porte.

DÉPANNAGE

Essayer d'abord les solutions suggérées ici afin d'éviter le coût d'une visite de service non nécessaire.

Rien ne fonctionne

- **Un fusible du domicile est-il grillé ou le disjoncteur s'est-il déclenché?**
Remplacer le fusible ou réenclencher le disjoncteur. Si le problème persiste, appeler un électricien.
- **Le raccordement de l'appareil est-il adapté?**
Voir les Instructions d'installation.

Le four ne fonctionne pas

- **Les commandes électroniques du four sont-elles bien réglées?**
Voir la section "Commandes électroniques du four".
- **Une mise en marche différée a-t-elle été réglée?**
Voir la section "Mise en marche différée".
- **Le verrouillage des boutons a-t-il été réglé?**
Voir la section "Verrouillage boutons/écran" dans la section "Menu de réglage".
- **Le mode Sabbat a-t-il été programmé?**
Voir la section "Mode Sabbat" dans la section "Menu de réglage".
- **Sur les modèles à double four, l'un des fours est-il en cours d'autonettoyage?**
Lorsqu'un four effectue un programme d'autonettoyage, l'autre four ne peut pas être réglé ni allumé.
- **Sur les modèles à double four, utilise-t-on le module de commande adéquat?**
Le module de commande inférieur correspond au four inférieur et le module de commande supérieur au four supérieur.

La température du four est trop élevée ou trop basse

- **Le calibrage de la température du four a-t-il besoin d'être ajusté?**
Voir la section "Calibrage de la température" dans la section "Menu de réglage".

Le programme d'autonettoyage ne fonctionne pas

- **La porte du four est-elle ouverte?**
Fermer la porte du four complètement.
- **Une fonction a-t-elle été entrée?**
Voir la section "Autonettoyage CustomClean™ avec niveaux réglables et autoverrouillage".
- **Sur certains modèles, un programme d'autonettoyage à mise en marche différée a-t-il été réglé?**
Voir la section "Autonettoyage CustomClean™ avec niveaux réglables et autoverrouillage".
- **Une mise en marche différée a-t-elle été réglée?**
Voir la section "Mise en marche différée".
- **Sur les modèles à double four, l'un des fours est-il en cours d'autonettoyage?**
Lorsqu'un four effectue un programme d'autonettoyage, l'autre four ne peut pas être réglé pour un programme d'autonettoyage.

Les résultats de cuisson au four ne sont pas les résultats prévus

- **La température correcte est-elle réglée?**
Contre-vérifier la recette dans un livre de recettes fiable.
- **Le calibrage de la température du four est-il réglé correctement?**
Voir la section "Fonctions de cuisson".
- **Le four a-t-il été préchauffé?**
Voir la section "Fonctions de cuisson".
- **Les grilles sont-elles installées correctement?**
Voir la section "Positionnement des grilles et ustensiles de cuisson au four" et la section concernant le programme utilisé.
- **Existe-t-il une circulation d'air appropriée autour des ustensiles de cuisson au four?**
Voir la section "Positionnement des grilles et ustensiles de cuisson au four".
- **La pâte est-elle distribuée uniformément dans le plat?**
Vérifier que la pâte est répartie uniformément dans le plat.
- **Utilise-t-on une durée de cuisson appropriée?**
Ajuster la durée de cuisson.
- **La porte a-t-elle été ouverte pendant la cuisson?**
L'ouverture de la porte pour vérifier la cuisson laisse la chaleur du four s'échapper et peut nécessiter des durées de cuisson plus longues.
- **Les articles cuits au four sont-ils trop bruns à la base?**
Déplacer la grille à une position plus élevée dans le four.
- **Les bords des croûtes de tarte ont-ils bruni trop tôt?**
Utiliser du papier d'aluminium pour couvrir le bord de la croûte et/ou réduire la température de cuisson au four.

ASSISTANCE OU SERVICE

Avant de faire un appel pour assistance ou service, veuillez vérifier la section "Dépannage". Cette vérification peut vous faire économiser le coût d'une visite de service. Si vous avez encore besoin d'aide, suivez les instructions ci-dessous.

Lors d'un appel, veuillez connaître la date d'achat et les numéros de modèle et de série complets de votre appareil. Ces renseignements nous aideront à mieux répondre à votre demande.

Si vous avez besoin de pièces de rechange

Si vous avez besoin de commander des pièces de rechange, nous vous recommandons d'utiliser seulement des pièces spécifiées par l'usine. Les pièces de rechange spécifiées par l'usine fonctionneront bien parce qu'elles sont fabriquées selon la même précision que celle utilisée pour fabriquer chaque nouvel appareil JENN-AIR®.

Pour savoir où trouver des pièces spécifiées par l'usine dans votre région, nous appelons ou contactons le centre de service désigné JENN-AIR® le plus proche.

Accessoires

Ensemble de lèchefrite

Commander la pièce numéro W10123240

Au Canada

Téléphoner sans frais au Centre pour l'eXpérience de la clientèle de Jenn-Air au : **1-800-807-6777**

Nos consultants fournissent de l'assistance pour :

- Procédures d'utilisation et d'entretien.
- Vente de pièces de rechange.
- Orientation vers des concessionnaires, compagnies de service de réparation et distributeurs de pièces de rechange locaux. Les techniciens de service désignés par Jenn-Air sont formés pour remplir la garantie du produit et fournir un service après la garantie, partout au Canada.

Pour plus d'assistance :

Si vous avez besoin de plus d'assistance, vous pouvez écrire à :

Jenn-Air Brand Home Appliances
Centre pour l'eXpérience de la clientèle
200 - 6750 Century Ave.
Mississauga, Ontario L5N 0B7

Adresse Internet : www.jennair.ca

Veuillez indiquer dans votre correspondance un numéro de téléphone où l'on peut vous joindre dans la journée.

GARANTIE DES APPAREILS DE CUISSON JENN-AIR®

GARANTIE LIMITÉE

Pendant un an à compter de la date d'achat, lorsque ce gros appareil ménager est utilisé et entretenu conformément aux instructions jointes à ou fournies avec le produit, Jenn-Air, marque de Whirlpool Corporation ou Whirlpool Canada LP (ci-après désignées "Jenn-Air") paiera pour les pièces spécifiées par l'usine et la main-d'œuvre pour corriger les vices de matériaux ou de fabrication. Le service doit être fourni par une compagnie de service désignée par Jenn-Air. Cette garantie limitée est valide uniquement aux États-Unis ou au Canada et s'applique exclusivement lorsque l'appareil est utilisé dans le pays où il a été acheté. À l'extérieur du Canada et des 50 États des États-Unis, cette garantie limitée ne s'applique pas. Une preuve de la date d'achat original est exigée pour obtenir un service dans le cadre de la présente garantie limitée.

GARANTIE LIMITÉE DE LA DEUXIÈME À LA CINQUIÈME ANNÉE INCLUSIVEMENT SUR CERTAINS COMPOSANTS

De la deuxième à la cinquième année inclusivement à compter de la date d'achat, lorsque cet appareil ménager est utilisé et entretenu conformément aux instructions jointes à ou fournies avec le produit, Jenn-Air paiera pour les pièces spécifiées par l'usine pour les composants suivants (si applicables au produit), en cas de vices de matériaux ou de fabrication :

- | | |
|---|---------------------------|
| ■ Élément électrique | ■ Commandes électroniques |
| ■ Clavier tactile et microprocesseur | ■ Tube magnétron |
| ■ Table de cuisson en vitrocéramique : en cas de bris d'origine thermique | ■ Brûleurs à gaz scellés |

ARTICLES EXCLUS DE LA GARANTIE

La présente garantie limitée ne couvre pas :

1. Les visites de service pour rectifier l'installation du gros appareil ménager, montrer à l'utilisateur comment utiliser l'appareil, remplacer ou réparer des fusibles ou rectifier le câblage ou la plomberie du domicile.
 2. Les visites de service pour réparer ou remplacer les ampoules électriques de l'appareil, les filtres à air ou les filtres à eau. Les pièces consommables ne sont pas couvertes par la garantie.
 3. Les réparations lorsque le gros appareil ménager est utilisé à des fins autres que l'usage unifamilial normal ou lorsque les instructions d'installation et/ou les instructions de l'opérateur ou de l'utilisateur fournies ne sont pas respectées.
 4. Les dommages imputables à : accident, modification, usage impropre ou abusif, incendie, inondation, actes de Dieu, installation fautive ou installation non conforme aux codes d'électricité ou de plomberie, ou l'utilisation de pièces consommables ou de produits nettoyants non approuvés par Jenn-Air.
 5. Les défauts apparents, notamment les éraflures, les bosses, fissures ou tout autre dommage au fini du gros appareil ménager, à moins que ces dommages soient dus à des vices de matériaux ou de fabrication et soient signalés à Jenn-Air dans les 30 jours suivant la date d'achat.
 6. Toute perte d'aliments due à une défaillance du réfrigérateur ou du congélateur.
 7. Les coûts associés au transport du gros appareil ménager du domicile pour réparation. Ce gros appareil ménager est conçu pour être réparé à domicile et seul le service à domicile est couvert par la présente garantie.
 8. Les réparations aux pièces ou systèmes résultant d'une modification non autorisée faite à l'appareil.
 9. Les frais de transport pour le service d'un produit si votre gros appareil est situé dans une région éloignée où un service d'entretien Jenn-Air autorisé n'est pas disponible.
 10. La dépose et la réinstallation de votre gros appareil si celui-ci est installé dans un endroit inaccessible ou n'est pas installé conformément aux instructions d'installation fournies.
 11. Les gros appareils ménagers dont les numéros de série et de modèle originaux ont été enlevés, modifiés ou qui ne peuvent pas être facilement identifiés. La présente garantie est nulle si le numéro de série d'usine a été modifié ou enlevé du gros appareil ménager.
- Le coût d'une réparation ou d'un remplacement dans le cadre de ces circonstances exclues est à la charge du client.

CLAUDE D'EXONÉRATION DE RESPONSABILITÉ AU TITRE DES GARANTIES IMPLICITES; LIMITATION DES RECOURS

LE SEUL ET EXCLUSIF RECOURS DU CLIENT DANS LE CADRE DE LA PRÉSENTE GARANTIE LIMITÉE CONSISTE EN LA RÉPARATION PRÉVUE CI-DESSUS. LES GARANTIES IMPLICITES, Y COMPRIS LES GARANTIES APPLICABLES DE QUALITÉ MARCHANDE ET D'APTITUDE À UN USAGE PARTICULIER, SONT LIMITÉES À UN AN OU À LA PLUS COURTE PÉRIODE AUTORISÉE PAR LA LOI. JENN-AIR N'ASSUME AUCUNE RESPONSABILITÉ POUR LES DOMMAGES FORTUITS OU INDIRECTS. CERTAINES JURIDICTIONS NE PERMETTENT PAS L'EXCLUSION OU LA LIMITATION DES DOMMAGES FORTUITS OU INDIRECTS, OU LES LIMITATIONS DE LA DURÉE DES GARANTIES IMPLICITES DE QUALITÉ MARCHANDE OU D'APTITUDE À UN USAGE PARTICULIER, DE SORTE QUE CES EXCLUSIONS OU LIMITATIONS PEUVENT NE PAS S'APPLIQUER DANS VOTRE CAS. CETTE GARANTIE VOUS CONFÈRE DES DROITS JURIDIQUES SPÉCIFIQUES ET VOUS POUVEZ ÉGALEMENT JOUIR D'AUTRES DROITS QUI PEUVENT VARIER D'UNE JURIDICTION À UNE AUTRE.

Si vous résidez à l'extérieur du Canada et des 50 États des États-Unis, contactez votre marchand Jenn-Air autorisé pour déterminer si une autre garantie s'applique.

Si vous avez besoin de service, voir d'abord la section "Dépannage" du Guide d'utilisation et d'entretien. Après avoir vérifié la section "Dépannage", de l'aide supplémentaire peut être trouvée en vérifiant la section "Assistance ou service" ou en appelant Jenn-Air. Aux É.-U., composer le **1-800-536-6247**. Au Canada, composer le **1-800-807-6777**.

6/09

Conservez ce manuel et votre reçu de vente ensemble pour référence ultérieure. Pour le service sous garantie, vous devez présenter un document prouvant la date d'achat ou d'installation.

Inscrivez les renseignements suivants au sujet de votre gros appareil ménager pour mieux vous aider à obtenir assistance ou service en cas de besoin. Vous devrez connaître le numéro de modèle et le numéro de série au complet. Vous trouverez ces renseignements sur la plaque signalétique située sur le produit.

Nom du marchand _____

Adresse _____

Numéro de téléphone _____

Numéro de modèle _____

Numéro de série _____

Date d'achat _____

W10450588A

© 2011.
All rights reserved.
Tous droits réservés.

©Registered Trademark™Trademark of Jenn-Air, U.S.A. Used under license by Maytag Limited in Canada.
©Marque déposée/™Marque de commerce de Jenn-Air, U.S.A. Emploi sous licence par Maytag Limited au Canada.

11/11
Printed in U.S.A.
Imprimé aux É.-U.

Free Manuals Download Website

<http://myh66.com>

<http://usermanuals.us>

<http://www.somanuals.com>

<http://www.4manuals.cc>

<http://www.manual-lib.com>

<http://www.404manual.com>

<http://www.luxmanual.com>

<http://aubethermostatmanual.com>

Golf course search by state

<http://golfingnear.com>

Email search by domain

<http://emailbydomain.com>

Auto manuals search

<http://auto.somanuals.com>

TV manuals search

<http://tv.somanuals.com>