

JENN-AIR®

INSTALLATION INSTRUCTIONS ELECTRIC DOWNDRAFT SLIDE-IN RANGES

INSTRUCTIONS D'INSTALLATION DES CUISINIÈRES ÉLECTRIQUES À ÉVACUATION DESCENDANTE ENCASTRABLES

Table of Contents/Table des matières

RANGE SAFETY2 INSTALLATION REQUIREMENTS3 Tools and Parts3 Location Requirements3 Venting Requirements5 Venting Methods5 Calculating Vent System Length.....6 Electrical Requirements - U.S.A. Only7 Electrical Requirements - Canada Only8 Countertop Preparation8 INSTALLATION INSTRUCTIONS9 Unpack Range.....9 Adjust Leveling Legs9 Install Anti-Tip Bracket9 Install Downdraft System10 Electrical Connection - U.S.A. Only14 Connect Range to Downdraft System20 Verify Anti-Tip Is Installed and Engaged21 Complete Installation22 Moving the Range22	SÉCURITÉ DE LA CUISINIÈRE24 EXIGENCES D'INSTALLATION25 Outils et pièces25 Exigences d'emplacement25 Exigences concernant l'évacuation27 Méthodes d'évacuation28 Calcul de la longueur effective du circuit d'évacuation29 Spécifications électriques – Canada seulement30 Préparation du plan de travail30 INSTRUCTIONS D'INSTALLATION31 Déballage de la cuisinière31 Réglage des pieds de nivellement31 Installation de la bride antibasculement32 Installation du circuit d'évacuation par le bas32 Raccordement de la cuisinière au circuit d'évacuation par le bas36 Vérifier que la bride anti-basculement est bien installée et engagée38 Achever l'installation38 Déplacement de la cuisinière39
---	--

IMPORTANT:

Save for local electrical inspector's use.

IMPORTANT :

À conserver pour consultation par l'inspecteur local des installations électriques.

RANGE SAFETY

Your safety and the safety of others are very important.

We have provided many important safety messages in this manual and on your appliance. Always read and obey all safety messages.



This is the safety alert symbol.

This symbol alerts you to potential hazards that can kill or hurt you and others.

All safety messages will follow the safety alert symbol and either the word "DANGER" or "WARNING." These words mean:

⚠ DANGER

You can be killed or seriously injured if you don't immediately follow instructions.

⚠ WARNING

You can be killed or seriously injured if you don't follow instructions.

All safety messages will tell you what the potential hazard is, tell you how to reduce the chance of injury, and tell you what can happen if the instructions are not followed.

⚠ WARNING

Tip Over Hazard

A child or adult can tip the range and be killed.

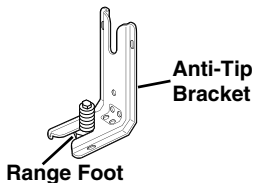
Install anti-tip bracket to floor or wall per installation instructions.

Slide range back so rear range foot is engaged in the slot of the anti-tip bracket.

Re-engage anti-tip bracket if range is moved.

Do not operate range without anti-tip bracket installed and engaged.

Failure to follow these instructions can result in death or serious burns to children and adults.



To verify the anti-tip bracket is installed and engaged:

- Slide range forward.
- Look for the anti-tip bracket securely attached to floor or wall.
- Slide range back so rear range foot is under anti-tip bracket.
- See installation instructions for details.

INSTALLATION REQUIREMENTS

Tools and Parts

Gather the required tools and parts before starting installation. Read and follow the instructions provided with any tools listed here.

Tools needed

- Tape measure
- Level
- Phillips screwdriver
- Flat-blade screwdriver
- Saber or keyhole saw
- Marker or pencil
- Wrench or pliers
- 5/16" nut driver
- 1/4" nut driver
- Drill
- 1/8" (3.2 mm) drill bit
- 3/16" (4.8 mm) carbide-tipped masonry drill bit (for concrete/ceramic floors)

Parts supplied

Check that all parts are included.

- 3 - #10-32 hex nuts (attached to terminal block)
- 3 - Terminal lugs
- 2 or 3 - Oven racks (depending on your model)
- Blower motor
- 2 - vent clamps
- Flexible vent
- Flow tester card
- Blower location template
- 4 - #8 x 3/4" screws (for mounting blower motor bracket)
- 2 - #12 x 1 5/8" screws (for mounting anti-tip bracket)
- Anti-tip bracket (taped to package containing literature in oven cavity)

Anti-tip bracket must be securely mounted to back wall or floor. Thickness of floor may require longer screws to anchor bracket to subfloor. Longer screws are available from your local hardware store.

Parts needed

- One of the following Jenn-Air wall caps:
 - Jenn-Air® 5" (12.7 cm) Round Surface Wall Cap Damper. Order Part Number A405.
 - Jenn-Air® 6" (15.2 cm) Round Surface Wall Cap Damper. Order Part Number A406.
 - Jenn-Air® 3 1/4" x 10" (8.3 x 25.4 cm) Surface Wall Cap Damper. Order Part Number A403.
- To order, see the "Assistance or Service" section of the Use and Care Guide.
- Metal ducting
- Vent clamps
- Concrete anchors (for concrete floor mounting)
- 2 - 2" x 4" x 8 3/4" (5.0 x 10.2 x 22.2 cm) wood spacers (for left or right side venting)

If using a power supply cord:

- A UL listed power supply cord kit marked for use with ranges. The cord should be rated at 250 volts minimum, 40 amps or 50 amps that is marked for use with nominal 1 3/8" (3.5 cm) diameter connection opening and must end in ring terminals or open-end spade terminals with upturned ends.
- A UL listed strain relief.

Check local codes. Check existing electrical supply. See "Electrical Requirements" section.

It is recommended that all electrical connections be made by a licensed, qualified electrical installer.

Location Requirements

IMPORTANT: Observe all governing codes and ordinances.

- It is the installer's responsibility to comply with installation clearances specified on the model/serial rating plate. The model/serial rating plate is located on the right-hand side of the oven frame behind the storage drawer panel.
- The range should be located for convenient use in the kitchen.
- To eliminate the risk of burns or fire by reaching over heated surface units, cabinet storage space located above the surface units should be avoided. If cabinet storage is to be provided, the risk can be reduced by installing a range hood that projects horizontally a minimum of 5" (12.7 cm) beyond the bottom of the cabinets.
- Cabinet opening dimensions that are shown must be used. Given dimensions are minimum clearances.
- The floor anti-tip bracket must be installed. To install the anti-tip bracket shipped with the range, see "Install Anti-Tip Bracket" section.
- Grounded electrical supply is required. See "Electrical Requirements" section.

IMPORTANT: To avoid damage to your cabinets, check with your builder or cabinet supplier to make sure that the materials used will not discolor, delaminate or sustain other damage. This oven has been designed in accordance with the requirements of UL and CSA International and complies with the maximum allowable wood cabinet temperatures of 194°F (90°C).

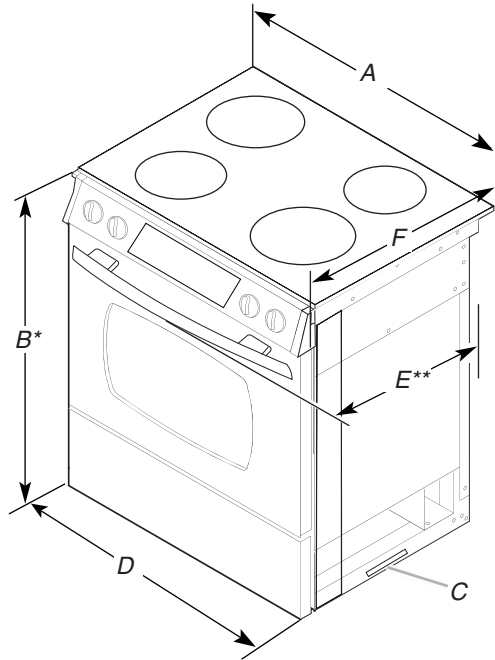
Mobile Home - Additional Installation Requirements

The installation of this range must conform to the Manufactured Home Construction and Safety Standard, Title 24 CFR, Part 3280 (formerly the Federal Standard for Mobile Home Construction and Safety, Title 24, HUD Part 280). When such standard is not applicable, the Standard for Manufactured Home Installations, ANSI A225.1/NFPA 501A or with local codes.

Mobile home installations require:

- When this range is installed in a mobile home, it must be secured to the floor during transit. Any method of securing the range is adequate as long as it conforms to the standards listed above.
- Four-wire power supply cord or cable must be used in a mobile home installation. The appliance wiring will need to be revised. See "Electrical Connection" section.

Product Dimensions



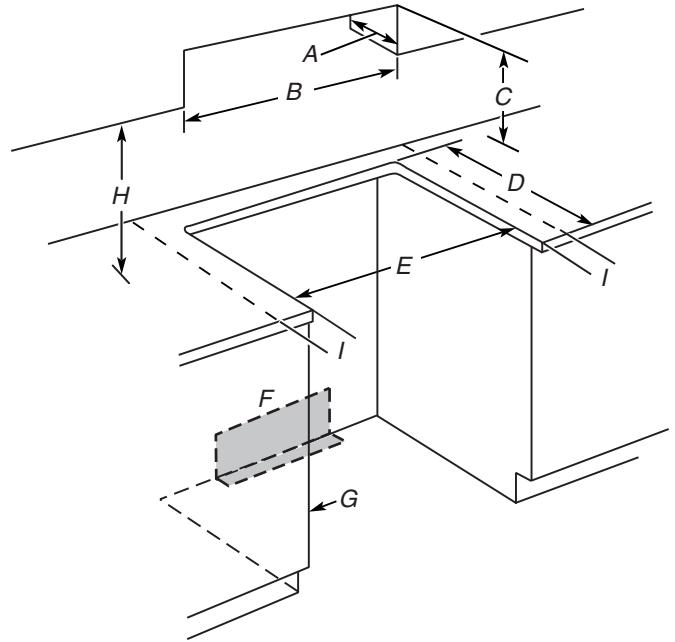
- A. 30 $\frac{3}{4}$ " (78.1 cm)
- B. 35 $\frac{3}{4}$ " (90.8 cm) height to underside of cooktop edge with leveling legs screwed all the way in*
- C. Model/serial number plate (located on the right-hand side of the bottom oven frame)
- D. 29 $\frac{7}{8}$ " (75.9 cm)
- E. 29 $\frac{1}{16}$ " (73.8 cm) from handle to standoff at back of range**
- F. 23 $\frac{1}{2}$ " (59.7 cm) countertop notch to rear of cooktop

*Range can be raised approximately 1" (2.5 cm) by adjusting the leveling legs.

**When installed in a 24" (61 cm) base cabinet with 25" (63.5 cm) countertop; front of oven door protrudes 2 $\frac{1}{2}$ " (6.4 cm) beyond 24" (61.0 cm) base cabinet.

Cabinet Dimensions

Cabinet opening dimensions shown are for 25" (64.0 cm) countertop depth, 24" (61.0 cm) base cabinet depth and 36" (91.4 cm) countertop height.



- A. 13" (33.0 cm) upper cabinet depth
- B. 30" (76.2 cm) min. opening width
- C. For minimum clearance to the top of the cooktop, see NOTE*.
- D. 23 $\frac{1}{4}$ " (59.1 cm) opening depth
- E. 30" (76.2 cm) min. opening width
- F. Junction box - 5.5" (14.0 cm) min. from either cabinet, 10" (25.4 cm) max. from floor Outlet must be flush. Nothing located in shaded area can extend more than 2" (5.1 cm) from wall or range will not slide all the way back.
- G. Cabinet door or hinge should not extend into cutout.
- H. 18" (45.7 cm)
- I. 3" (7.6 cm) min. clearance from both sides of the range to the side wall or other combustible material.

NOTE: 24" (61.0 cm) minimum when bottom of wood or metal cabinet is covered by not less than $\frac{1}{4}$ " (0.64 cm) flame retardant millboard covered with not less than No. 28 MSG sheet steel, 0.015" (0.4 mm) stainless steel, 0.024" (0.6 mm) aluminum or 0.020" (0.5 mm) copper.

30" (76.2 cm) minimum clearance between the top of the cooking platform and the bottom of an uncovered wood or metal cabinet.

Venting Requirements

IMPORTANT: This range must be exhausted outdoors. See "Venting Methods" section.

- Do not terminate the vent system in an attic or other enclosed area.
- Use a Jenn-Air wall cap.
- Vent system must terminate to the outside.
- Use only a 6" (15.2 cm) round metal vent or a 3¼" x 10" (8.3 cm x 25.4 cm) rectangular vent, except as follows:
5" (12.7 cm) round metal vent may be used for venting straight out the back of the range and directly through the wall for vent lengths of 10 ft (3.0 m) or less.
- Rigid metal vent is recommended. For best performance, do not use plastic or metal foil vent.
- Before making cutouts, make sure there is proper clearance within the wall or floor for the exhaust vent.
- Do not cut a joist or stud unless absolutely necessary. If a joist or stud must be cut, then a supporting frame must be constructed.
- The size of the vent should be uniform.
- The vent system must have a damper. If roof or wall cap has a damper, do not use damper supplied with the range hood.
- Use vent clamps to seal all joints in the vent system.
- Use caulking to seal exterior wall or roof opening around the cap.
- Determine which venting method is best for your application.

For Best Performance:

- Use 26-gauge minimum galvanized or 25-gauge minimum aluminum metal vent. Poor quality pipe fittings can reduce airflow. Flexible metal vent is not recommended.
- NOTE:** Local codes may require a heavier gauge material.
- Metal duct may be reduced to 30-gauge galvanized steel or 26-gauge aluminized steel if allowed by local codes. This reduction is based on information in the International Residential Codes Section M1601.1 (2006 edition).
 - Do not install 2 elbows together.
 - Use no more than three 90° elbows.
 - If an elbow is used, install it as far away as possible from the hood's vent motor exhaust opening.
 - Make sure there is a minimum of 18" (45.7 cm) of straight vent between the elbows if more than one elbow is used.
 - Elbows too close together can cause excess turbulence that reduces airflow.
 - Do not use a 5" (12.7 cm) elbow in a 6" (15.2 cm) or 3¼" x 10" (8.3 x 25.4 cm) system.
 - Do not reduce to a 5" (12.7 cm) system after using a 6" (15.2 cm) or 3¼" x 10" (8.3 x 25.4 cm) fittings.
 - Avoid forming handmade crimps. Handmade crimps may restrict airflow.
 - Use a Jenn-Air vent cap for proper performance. If an alternate wall or roof cap is used, be certain the cap size is not reduced and that it has a backdraft damper.
 - Use vent clamps to seal all joints in the vent system.
 - Use caulking to seal exterior wall or roof opening around the cap.

The length of vent system and number of elbows should be kept to a minimum to provide efficient performance.

The maximum equivalent length of the vent system is 60 ft (18.3 m). For altitudes above 4,500 ft (1272 m), reduce recommended vent run by 20% for best performance.

Cold Weather Installations

An additional backdraft damper should be installed to minimize backward cold air flow and a thermal break installed to minimize conduction of outside temperatures as part of the vent system. The damper should be on the cold air side of the thermal break.

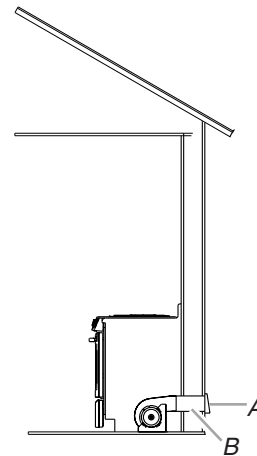
Makeup Air

Local building codes may require the use of makeup air systems when using ventilation systems greater than specified CFM of air movement. The specified CFM varies from locale to locale. Consult your HVAC professional for specific requirements in your area.

Venting Methods

Common venting methods are shown for a downdraft range. The downdraft range may be vented through the wall or floor.

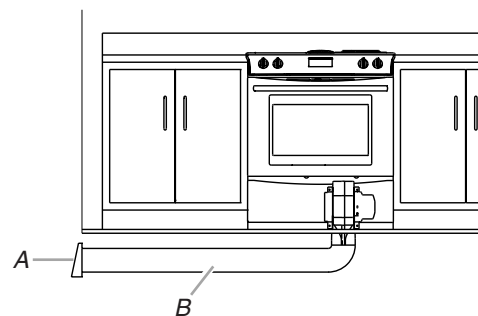
Wall Venting



A. Wall cap
B. 6" (15.2 cm) round roof venting

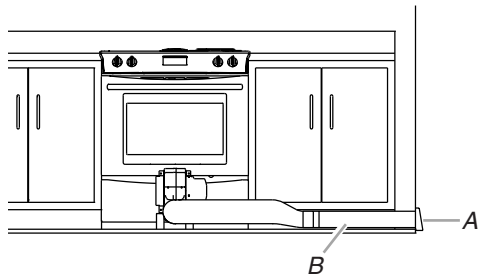
Floor Venting

Venting Between Floor Joists



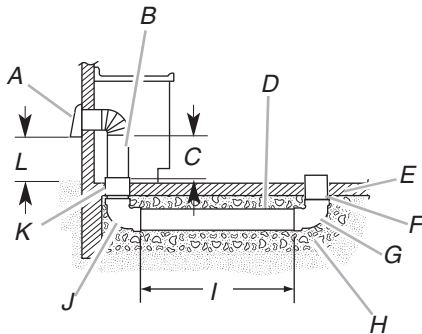
A. Wall cap
B. 6" (15.2 cm) round roof venting

Left or Right Side Venting Venting Behind Cabinet Kickplate



A. Wall cap
B. 6" (15.2 cm) round roof venting

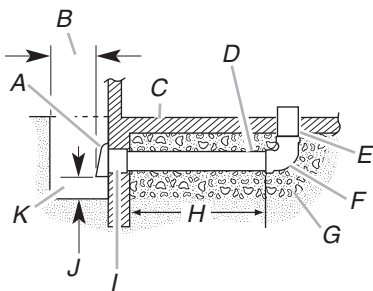
Concrete Slab Installations - Exhaust Through Wall



A. Wall cap
B. 6" (15.2 cm) round metal vent
C. 16" (40.6 cm) maximum
D. 6" (15.2 cm) round PVC sewer pipe
E. Concrete slab
F. 6" (15.2 cm) round PVC sewer pipe
G. 6" (15.2 cm) round 90° PVC sewer pipe elbow
H. Tightly pack gravel or sand completely around pipe.
I. 30 ft (9.1 m) max.
J. 6" (15.2 cm) round 90° PVC sewer pipe elbow
K. 6" (15.2 cm) round PVC coupling
L. 12" (30.5 cm) minimum

Concrete Slab Installations - Exhaust Through Window Well

IMPORTANT: Window well installation for electric models only.



A. Wall cap
B. 12" (30.5 cm) minimum
C. Concrete slab
D. 6" (15.2 cm) round PVC sewer pipe
E. 6" (15.2 cm) round PVC sewer pipe
F. 6" (15.2 cm) round 90° PVC sewer pipe elbow
G. Tightly pack gravel or sand completely around pipe.
H. 42 ft (12.8 m) max.
I. 6" (15.2 cm) round PVC coupling
J. 6" (15.2 cm) minimum
K. Window well

Calculating Vent System Length

IMPORTANT: This range is rated at 60 ft (18.3 m) of straight duct. Low range is up to 30 ft (9.1 m); high range is 31 ft (9.4 m) to 60 ft (18.3 m).

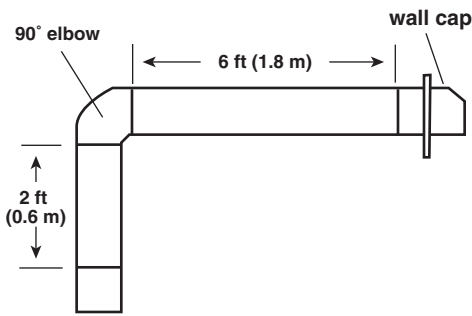
If equivalent duct length exceeds 30 ft (18.3 m), the blower must be converted to high range.

- Do not convert to high range for shorter lengths. This will cause excessive noise, conditioned air loss and affect the flame pattern on gas ranges.
- To convert blower for high range installations, see the "Install Downdraft System" section.

To calculate the length of the system you need, add the equivalent feet (meters) for each vent piece used in the system.

Vent Piece	6" (15.2 cm) Round	
45° elbow	2.5 ft (0.8 m)	
90° elbow	5.0 ft (1.5 m)	
6" (15.2 cm) wall cap	0.0 ft (0.0 m)	
3¼" x 10" (8.3 cm x 25.4 cm) to 6" (15.2 cm) transition	4.5 ft (1.4 m)	
6" (15.2 cm) to 3¼" x 10" (8.3 cm x 25.4 cm) transition	1 ft (0.3 m)	
3¼" x 10" (8.3 cm x 25.4 cm) to 6" (15.2 cm) 90° elbow transition	5.0 ft (1.5 m)	
6" (15.2 cm) to 3¼" x 10" (8.3 cm x 25.4 cm) 90° elbow transition	5.0 ft (1.5 m)	
3¼" x 10" (8.3 cm x 25.4 cm) 90° elbow	5.0 ft (1.5 m)	
3¼" x 10" (8.3 cm x 25.4 cm) flat elbow	12.0 ft (3.7 m)	
3¼" x 10" (8.3 cm x 25.4 cm) wall cap	0.0 ft (0.0 m)	

Example vent system



Maximum length = 60 ft (18.3 m)

1 - 90° elbow	= 5 ft (1.5 m)
8 ft (2.4 m) straight	= 8 ft (2.4 m)
1 - wall cap	= 0 ft (0 m)
System length	= 13 ft (3.9 m)

NOTE: For external venting, flexible vent is not recommended. Flexible vent creates back pressure and air turbulence that greatly reduce performance.

Electrical Requirements - U.S.A. Only

If codes permit and a separate ground wire is used, it is recommended that a qualified electrical installer determine that the ground path and wire gauge are in accordance with local codes.

Do not use an extension cord.

Be sure that the electrical connection and wire size are adequate and in conformance with the National Electrical Code, ANSI/NFPA 70-latest edition and all local codes and ordinances.

A copy of the above code standards can be obtained from:

National Fire Protection Association
1 Batterymarch Park
Quincy, MA 02169-7471

WARNING: Improper connection of the equipment-grounding conductor can result in a risk of electric shock. Check with a qualified electrician or service technician if you are in doubt as to whether the appliance is properly grounded. Do not modify the power supply cord plug. If it will not fit the outlet, have a proper outlet installed by a qualified electrician.

Electrical Connection

To properly install your range, you must determine the type of electrical connection you will be using and follow the instructions provided for it here.

- Range must be connected to the proper electrical voltage and frequency as specified on the model/serial number rating plate. The model/serial number rating plate is located behind the control panel or on the oven frame behind the storage drawer panel. Refer to the figures in the "Product Dimensions" section of the "Location Requirements" section.
- This range is manufactured with the neutral terminal connected to the cabinet. Use a 3-wire, UL listed, 40- or 50-amp power supply cord (pigtail) (see following Range Rating chart). If local codes do not permit ground through the neutral, use a 4-wire power supply cord rated at 250 volts, 40 or 50 amps and investigated for use with ranges.

Range Rating*	Specified Rating of Power Supply Cord Kit and Circuit Protection	
120/240 Volts	120/208 Volts	Amps
8.8 - 16.5 KW	7.8 - 12.5 KW	40 or 50**
16.6 - 22.5 KW	12.6 - 18.5 KW	50

*The NEC calculated load is less than the total connected load listed on the model/serial rating plate.

**If connecting to a 50-amp circuit, use a 50-amp rated cord with kit. For 50-amp rated cord kits, use kits that specify use with a nominal 1 $\frac{3}{8}$ " (34.9 mm) diameter connection opening.

- A circuit breaker is recommended.
- The range can be connected directly to the circuit breaker box (or fused disconnect) through flexible or nonmetallic sheathed, copper or aluminum cable. See "Electrical Connection."
- Allow 2 to 3 ft (61.0 cm to 91.4 cm) of slack in the line so that the range can be moved if servicing is ever necessary.
- A UL listed conduit connector must be provided at each end of the power supply cable (at the range and at the junction box).
- Wire sizes and connections must conform with the rating of the range.
- The wiring diagram is located on the back of the access panel in a plastic bag.

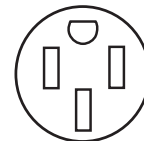
If connecting to a 4-wire system:

This range is manufactured with the ground connected to the neutral by a link. The ground must be revised so the green ground wire of the 4-wire power supply cord is connected to the cabinet. See "Electrical Connection."

Grounding through the neutral conductor is prohibited for new branch-circuit installations (1996 NEC); mobile homes; and recreational vehicles, or an area where local codes prohibit grounding through the neutral conductor.

When a 4-wire receptacle of NEMA Type 14-50R is used, a matching UL listed, 4-wire, 250-volt, 40- or 50-amp, range power supply cord (pigtail) must be used. This cord contains 4 copper conductors with ring terminals or open-end spade terminals with upturned ends, terminating in a NEMA Type 14-50P plug on the supply end.

The fourth (grounding) conductor must be identified by a green or green/yellow cover and the neutral conductor by a white cover. Cord should be Type SRD or SRDT with a UL listed strain relief and be at least 4 ft (1.22 m) long.



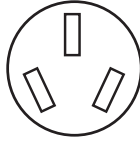
4-wire receptacle (14-50R)

The minimum conductor sized for the copper 4-wire power cord are:

- 40-amp circuit
- 2 No.-8 conductors
- 1 No.-10 white neutral
- 1 No.-8 green grounding

If connecting to a 3-wire system:

Local codes may permit the use of a UL listed, 3-wire, 250-volt, 40- or 50-amp range power supply cord (pigtail). This cord contains 3 copper conductors with ring terminals or open-end spade terminals with upturned ends, terminating in a NEMA Type 10-50P plug on the supply end. Connectors on the appliance end must be provided at the point the power supply cord enters the appliance. This uses a 3-wire receptacle of NEMA Type 10-50R.



3-wire receptacle (10-50R)

Electrical Requirements - Canada Only

⚠ WARNING

Electrical Shock Hazard

Electrically ground range.

Failure to do so can result in death, fire, or electrical shock.

If codes permit and a separate ground wire is used, it is recommended that a qualified electrical installer determine that the ground path is adequate and wire gauge are in accordance with local codes.

Be sure that the electrical connection and wire size are adequate and in conformance with CSA Standard C22.1, Canadian Electrical Code, Part 1 - latest edition, and all local codes and ordinances.

A copy of the above code standards can be obtained from:

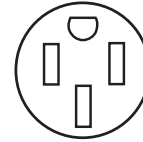
Canadian Standards Association
178 Rexdale Blvd.
Toronto, ON M9W 1R3 CANADA

- Check with a qualified electrical installer if you are not sure the range is properly grounded.

Range Rating*		Specified Rating of Power Supply Cord Kit and Circuit Protection
120/240 Volts	120/208 Volts	Amps
8.8 - 16.5 KW	7.8 - 12.5 KW	40 or 50
16.6 - 22.5 KW	12.6 - 18.5 KW	50

*The NEC calculated load is less than the total connected load listed on the model/serial rating plate.

- A time-delay fuse or circuit breaker is recommended.
- This range is equipped with a CSA International Certified Power Cord intended to be plugged into a standard 14-50R wall receptacle. Be sure the wall receptacle is within reach of range's final location.



- Do not use an extension cord.

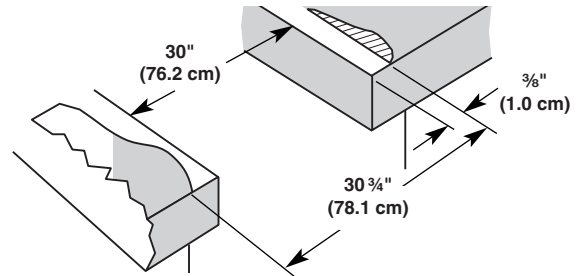
Countertop Preparation
(for Slide-in Ranges Only)

The cooktop sides of the slide-in range fit over the cutout edge of your countertop.

If you have a square finish (flat) countertop and the opening width is 30" (76.2 cm), no countertop preparation is required.

Formed front-edged countertops must have molded edge shaved flat 3/8" (1.0 cm) from each front corner of opening.

Tile countertops may need trim cut back 3/8" (1.0 cm) from each front corner and/or rounded edge flattened.



If countertop opening width is greater than 30" (76.2 cm), adjust the 3/8" (1.0 cm) dimension.

Countertop must be level. Place level on countertop, first side to side, then front to back. If countertop is not level, range will not be level. Range must be level for satisfactory baking conditions.

INSTALLATION INSTRUCTIONS

Unpack Range

⚠ WARNING

Excessive Weight Hazard

Use two or more people to move and install range.
Failure to do so can result in back or other injury.

1. Remove shipping materials, tape and film from the range. Keep cardboard bottom under range.
2. Remove oven racks and parts package from inside oven.
3. To remove cardboard bottom, place range on its back, take 4 cardboard corners from the carton. Stack one cardboard corner on top of another. Repeat with the other 2 corners. Place them lengthwise on the floor behind the range to support the range when it is laid on its back.
4. Using 2 or more people, firmly grasp the range and gently lay it on its back on the cardboard corners.
5. Pull cardboard bottom firmly to remove.
6. Use an adjustable wrench to loosen the leveling legs.
7. Place cardboard or hardboard in front of range. Using 2 or more people, stand range back up onto cardboard or hardboard.

Adjust Leveling Legs

1. If range height adjustment is necessary, use a wrench or pliers to loosen the 4 leveling legs.
This may be done with the range on its back or with the range supported on 2 legs after the range has been placed back to a standing position.
NOTE: To place range back up into a standing position, put a sheet of cardboard or hardboard in front of range. Using 2 or more people, stand range back up onto the cardboard or hardboard.
2. Adjust the leveling legs to the correct height. Leveling legs can be loosened to add up to a maximum of 1" (2.5 cm). A minimum of $\frac{3}{16}$ " (5 mm) is needed to engage the anti-tip bracket.
NOTE: If height adjustment is made when range is standing, tilt the range back to adjust the front legs, then tilt forward to adjust the rear legs.
3. When the range is at the correct height, check that there is adequate clearance under the range for the anti-tip bracket. Before sliding range into its final location, check that the anti-tip bracket will slide under the range and onto the rear leveling leg prior to anti-tip bracket installation.

Install Anti-Tip Bracket

⚠ WARNING



Tip Over Hazard

A child or adult can tip the range and be killed.

Install anti-tip bracket to floor or wall per installation instructions.

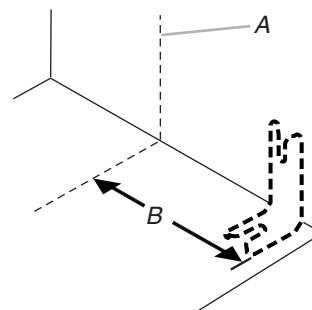
Slide range back so rear range foot is engaged in the slot of the anti-tip bracket.

Re-engage anti-tip bracket if range is moved.

Do not operate range without anti-tip bracket installed and engaged.

Failure to follow these instructions can result in death or serious burns to children and adults.

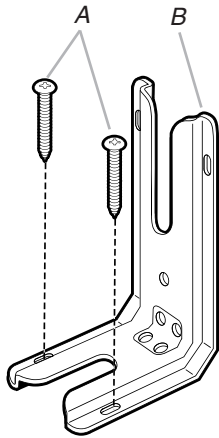
1. Remove the anti-tip bracket that is taped to the package containing literature.
2. Determine which mounting method to use: floor or wall.
If you have a stone or masonry floor you can use the wall mounting method.
3. Determine and mark centerline of the cutout space. The mounting bracket can be installed on either the left side or right side of the cutout. Position mounting bracket in cutout so that right (or left) edge of the bracket is $14\frac{1}{4}$ " (36.2 cm) from centerline, as shown.



A. Centerline
B. $14\frac{1}{4}$ " (36.2 cm)

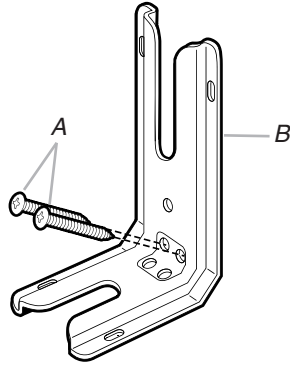
- Drill two $\frac{1}{8}$ " (3.0 mm) holes that correspond to the bracket holes of the determined mounting method. See below.

Floor Mounting



A. #12 x 1 $\frac{5}{8}$ " screws
B. Anti-tip bracket

Wall Mounting



A. #12 x 1 $\frac{5}{8}$ " screws
B. Anti-tip bracket

- Using the Phillips screwdriver, mount anti-tip bracket to the wall or floor with the two #12 x 1 $\frac{5}{8}$ " screws provided.

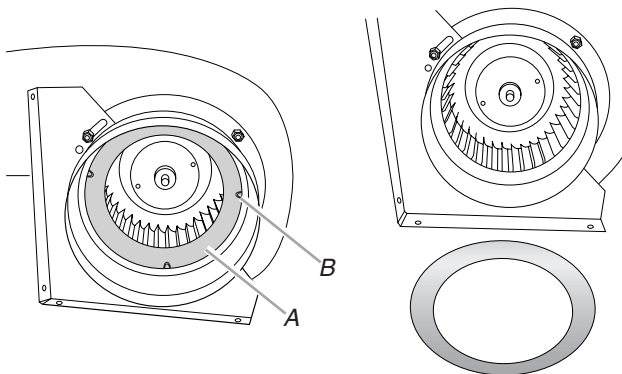
Install Downdraft System

Determine Equivalent Length of Vent System

This range is equipped with a dual range blower. It is shipped from the factory for Low Range installations. If vent system equivalent length exceeds 30 ft (9.1 m), the downdraft blower motor must be converted to High Range for best performance. See "Calculating Vent System Length."

To Convert:

Gently remove the spring loaded Restrictor Ring from the blower inlet by pressing one of the 3 springs.

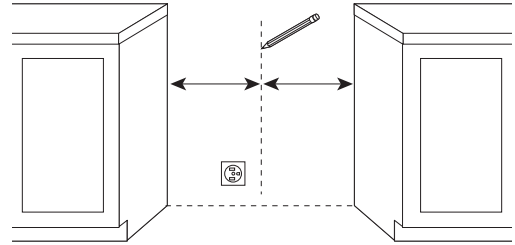


A. Restrictor ring
B. Spring

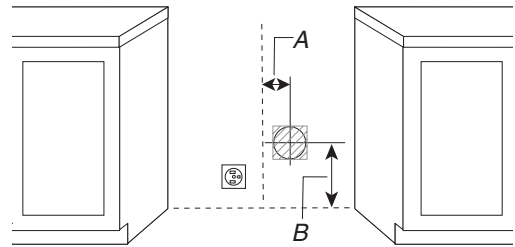
Determine which venting method to use: floor, rear wall, or left or right side venting. Go to the section for your type of venting. Avoid severing electrical wiring when cutting into floor or wall.

Rear Wall Venting

- Mark the wall at the center of the cabinet opening.

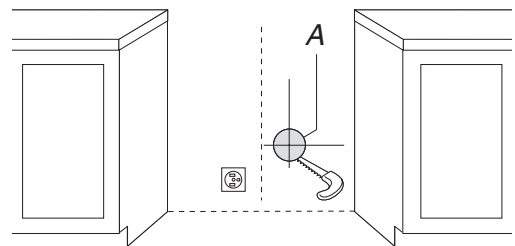


- Check for obstructions before marking the vent hole location. Mark a horizontal line $8\frac{3}{16}$ " (20.8 cm) from the floor. Mark a vertical line up to a maximum of $2\frac{1}{4}$ " (7.9 cm) from the right side of the cabinet centerline.



A. Maximum $2\frac{1}{4}$ " (7.9 cm) from the right of center
B. $8\frac{3}{16}$ " (20.8 cm) from floor

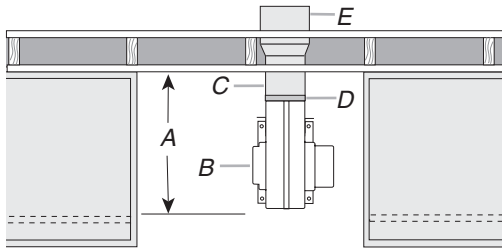
- Draw and cut a $6\frac{1}{4}$ " (15.8 cm) diameter hole.



A. $6\frac{1}{4}$ " (15.8 cm)

- Position blower motor in cabinet opening. Connect vent system to blower motor outlet using a vent clamp.

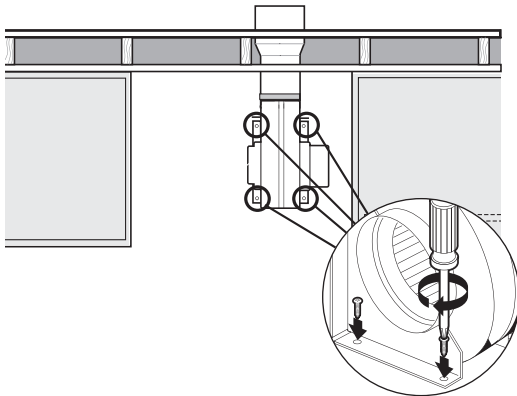
Top View



- A. 18 $\frac{3}{4}$ " (47.6 cm) maximum from back wall forward into cabinet opening
- B. Inlet
- C. Vent system
- D. Vent clamp
- E. Wall vent

- Mount blower motor to the floor with 4 - #8 x $\frac{3}{4}$ " hex head screws provided.

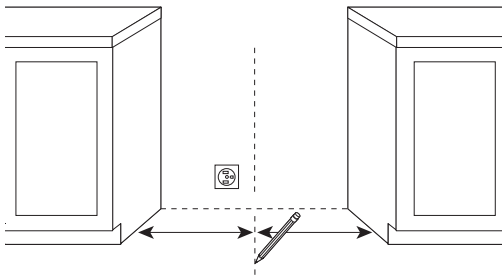
Top View



- Go to the "Electrical Connection" section.

Floor Venting

- Mark the floor at the center of the cabinet opening.



- Position template on floor by matching the centerline of the template to the centerline drawn on the floor and place template 2 $\frac{1}{4}$ " (5.7 cm) from the back wall.

- Determine the correct position for the vent hole, depending on obstructions (joists) in the floor.

The hole can be cut anywhere within the boundaries of either hatched area.

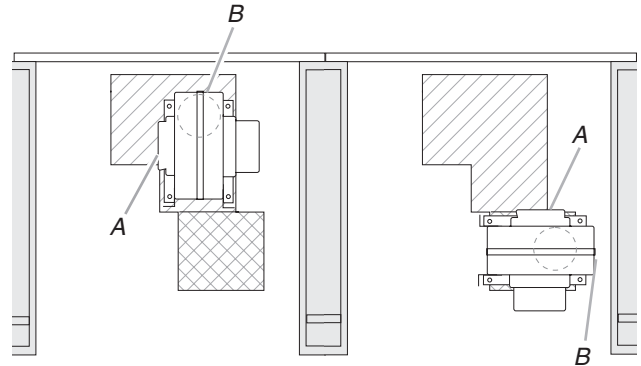
Option 1: If you are using the back hatched area (bigger one), the blower inlet must face the left side as shown on the template

Option 2: If you are using the front hatched area (smaller one), the blower inlet must face the back.

Top View

Option 1

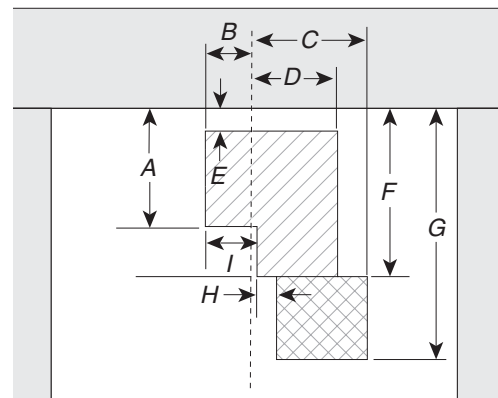
Option 2



- A. Inlet from range
- B. Exhaust outlet

NOTE: If the template is misplaced, the following measurements can be used to determine the vent hole location.

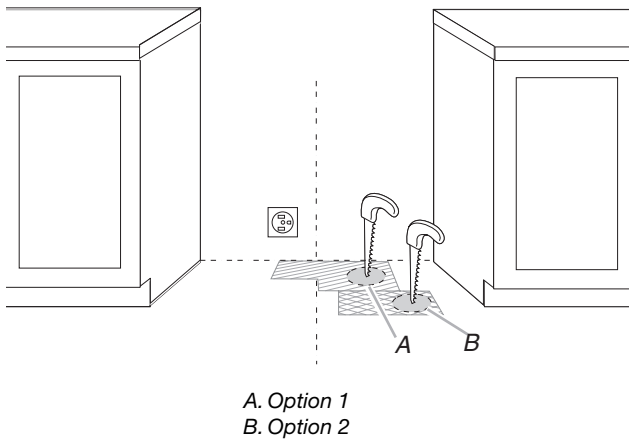
Top View



- A. 9" (22.8 cm)
- B. 3 $\frac{1}{8}$ " (7.9 cm)
- C. 8 $\frac{3}{8}$ " (21.3 cm)
- D. 6 $\frac{3}{8}$ " (16.2 cm)
- E. 2 $\frac{1}{4}$ " (5.7 cm)

- F. 12 $\frac{1}{2}$ " (31.7 cm)
- G. 18 $\frac{3}{4}$ " (47.6 cm)
- H. 1 $\frac{1}{2}$ " (3.8 cm)
- I. 3 $\frac{1}{2}$ " (8.9 cm)

4. Draw and cut a 6¼" (15.8 cm) diameter hole (option 1 shown).

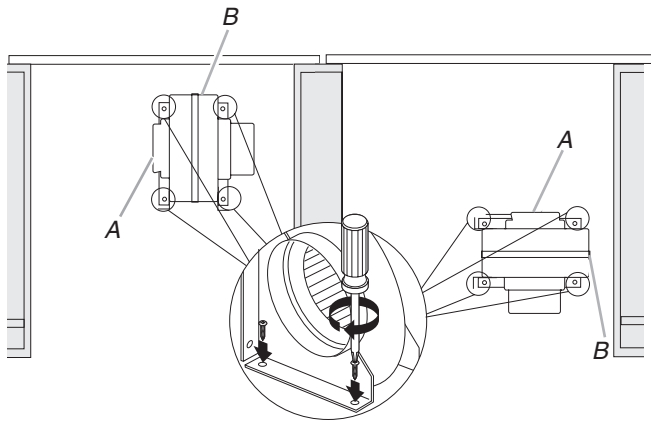


5. Position blower motor in cabinet opening and mount blower motor to the floor.

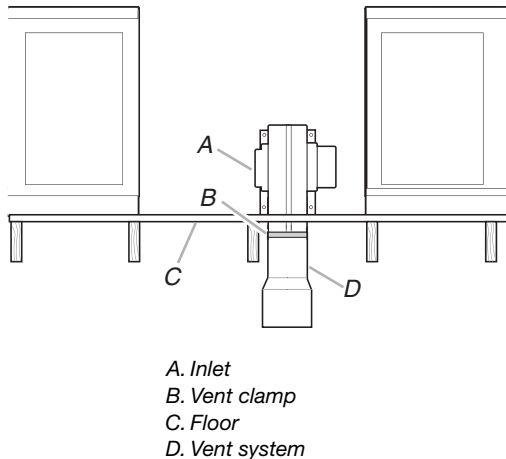
Top View

Option 1

Option 2

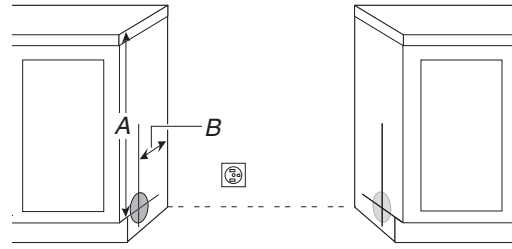


6. Connect vent system to blower motor outlet (option 1 shown) with 4 - #8 x ¾" hex head screws provided.

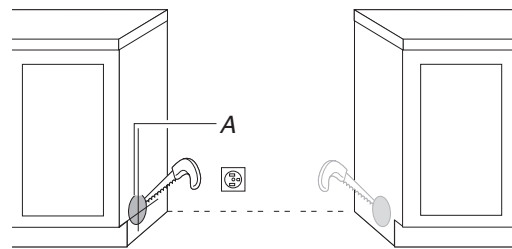


Left or Right Side Venting

1. Mark cabinet side for either a left or right side vent hole location.

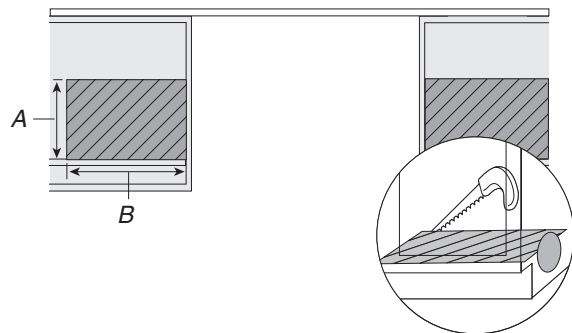


2. Mark and cut a 5½" (13.9 cm) diameter hole in the desired cabinet side.



3. Mark and cut a 14" x 11" (35.6 x 27.9 cm) opening in the floor of the same cabinet as the vent hole opening.

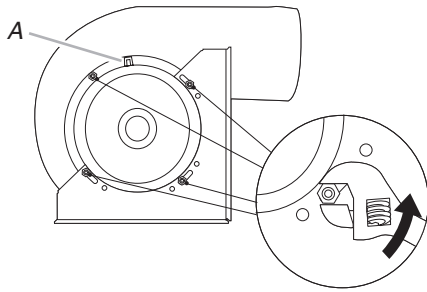
Top View



7. Go to the "Electrical Connection" section.

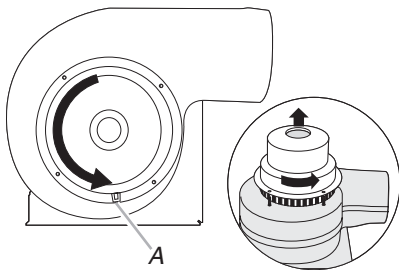
- Remove 4 locknuts on the motor side of the blower and remove the bracket.

View from Motor Side of Blower



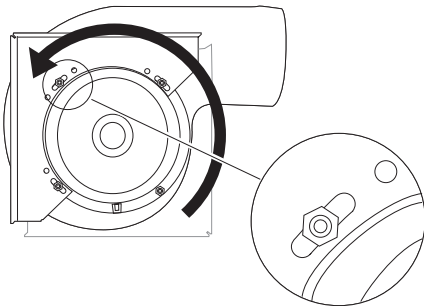
A. Electrical connector

- Lift and rotate the motor 180° to reposition the electrical connection.

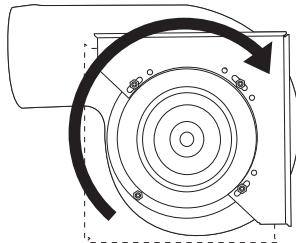


A. Electrical connector

- Rotate bracket 180° and secure with 4 locknuts.

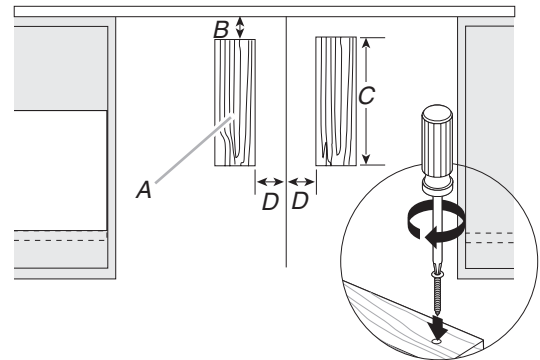


- Remove the bracket from the other side of the blower motor, rotate 180° and secure with 4 locknuts.



- Position 2 wood spacers and mount them to the floor.

Top View

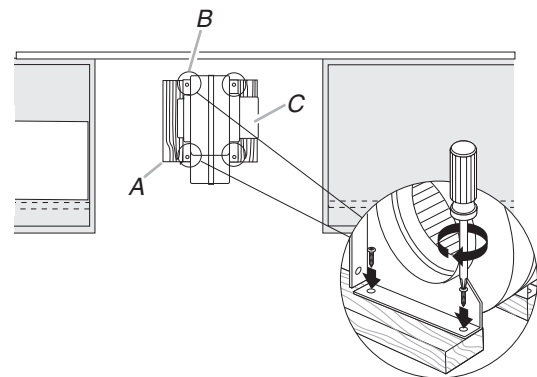


- A. 2" x 4" (5.0 x 10.2 cm) wood spacers
- B. 2 7/8" (7.3 cm) from back wall to edge of wood spacer
- C. 8 3/4" (22.2 cm)
- D. 2 5/16" (5.8 cm) centerline of opening to wood spacer

- Mount blower motor to wood spacers using 4 - #8 x 3/4" hex head screws provided.

NOTE: Vent system will be connected after range has been moved into its final location. "See Connect Range to Downdraft System" section.

Top View



- A. Wood spacers
- B. Mounting bracket
- C. Blower

- Go to the "Electrical Connection" section.

Electrical Connection - U.S.A. Only

Power Supply Cord

⚠ WARNING



Electrical Shock Hazard

Disconnect power before servicing.

Use a new 40 amp power supply cord.

Plug into a grounded outlet.

Failure to follow these instructions can result in death, fire, or electrical shock.

Direct Wire

⚠ WARNING



Electrical Shock Hazard

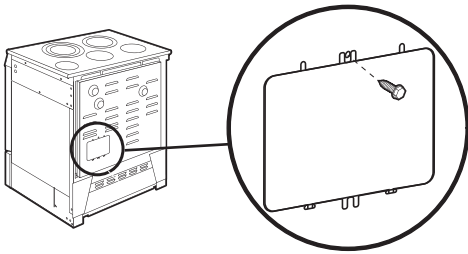
Disconnect power before servicing.

Use 8 gauge copper or 6 gauge aluminum wire.

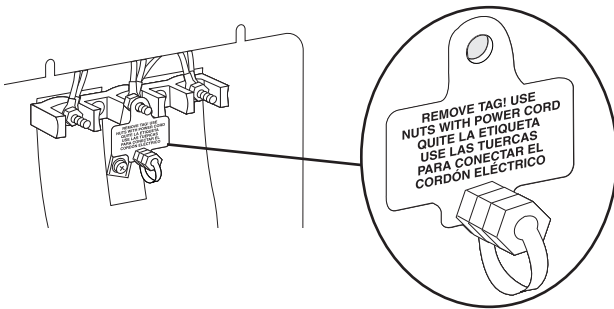
Electrically ground range.

Failure to follow these instructions can result in death, fire, or electrical shock.

1. Disconnect power.
2. Use Phillips screwdriver to remove the terminal block cover screw located on the back of the range. Pull cover down and toward you to remove cover.



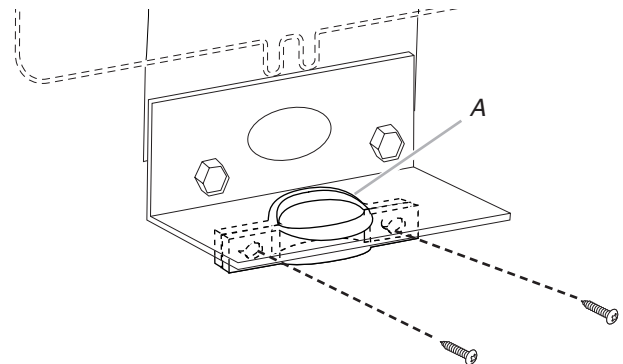
3. Remove plastic tag holding three 10-32 hex nuts from the middle post of the terminal block.



4. Add strain relief.

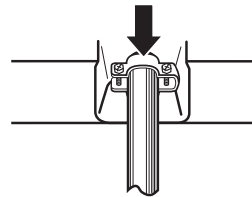
Style 1: Power supply cord strain relief

- Assemble a UL listed strain relief in the opening.



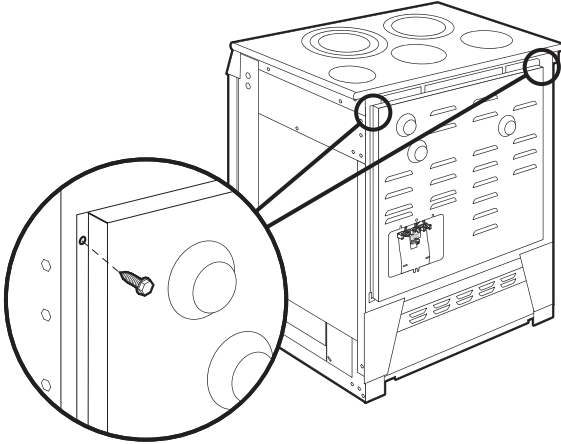
A. UL listed strain relief

- Feed the power supply cord through the opening in the cord/conduit plate on bottom of range. Allow enough slack to easily attach the wiring to the terminal block.
- Tighten strain relief screw against the power supply cord.

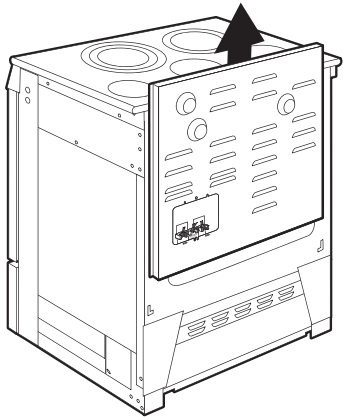


Style 2: Direct wire strain relief

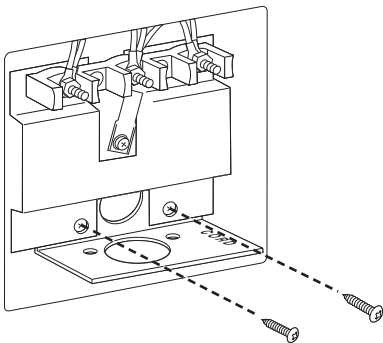
- Use Phillips screwdriver to remove screws from panel on back of range.



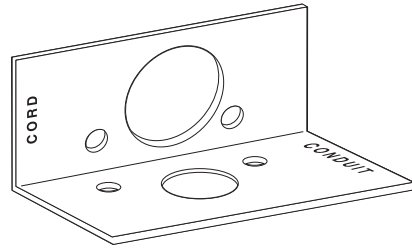
- Lift range back panel up and off.



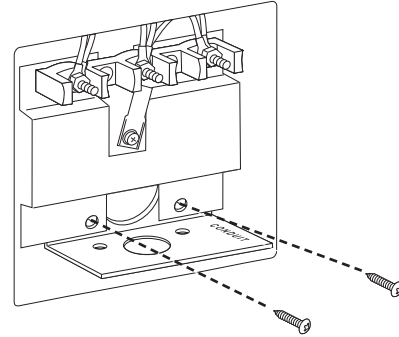
- Use Phillips screwdriver to remove screws and slide cord/conduit plate down and out.



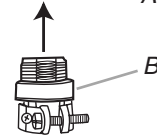
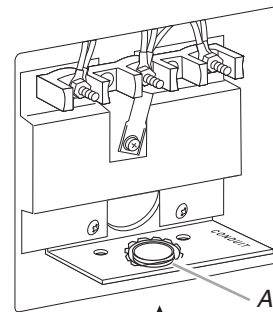
- Position cord/conduit plate as shown in the following illustration.



- Replace cord/conduit plate and insert screws.

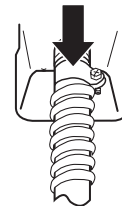


- Assemble a UL listed conduit connector in the opening.



A. Removable retaining nut
B. Strain relief

- Feed the flexible conduit through the strain relief, allowing enough slack to easily attach wiring to the terminal block.
- Tighten strain relief screw against the flexible conduit.

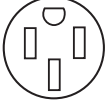
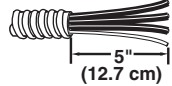

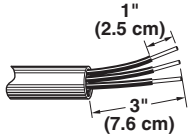


5. Replace back panel and screws on rear of range.
6. Complete installation following instructions for your type of electrical connection:

4-wire (recommended)

3-wire (if 4-wire is not available)

Electrical Connection Options

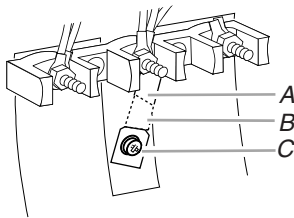
If your home has:	And you will be connecting to:	Go to Section:
4-wire receptacle (NEMA type 14-50R) 	A UL listed, 250-volt minimum, 40-amp, range power supply cord	4-wire connection: Power supply cord
4-wire direct 	A fused disconnect or circuit breaker box	4-wire connection: Direct wire
3-wire receptacle (NEMA type 10-50R) 	A UL listed, 250-volt minimum, 40-amp, range power supply cord	3-wire connection: Power supply cord
3-wire direct 	A fused disconnect or circuit breaker box	3-wire connection: Direct wire

4-wire connection: Power Supply Cord

Use this method for:

- New branch-circuit installations (1996 NEC)
- Mobile homes
- Recreational vehicles
- In an area where local codes prohibit grounding through the neutral

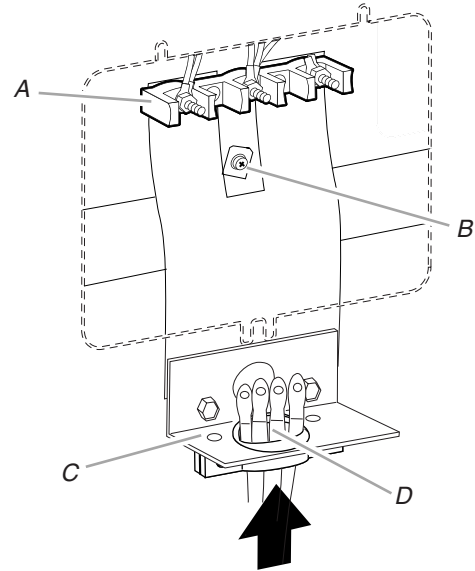
1. Part of metal ground strap must be cut out and removed.



A. Metal ground strap
B. Discard
C. Ground-link screw

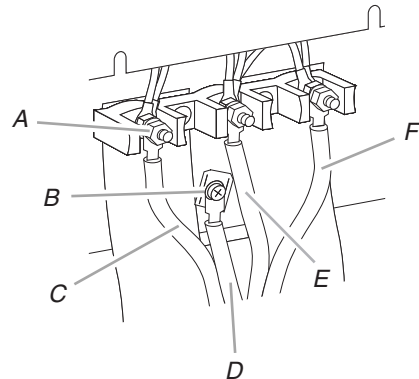
2. Use Phillips screwdriver to remove the ground-link screw from the back of the range. Save the ground-link screw and the end of the ground-link under the screw.

3. Feed the power supply cord through the opening in the cord/conduit plate on bottom of range. Allow enough slack to easily attach the wiring to the terminal block.



A. Terminal block
B. Ground-link screw
C. Cord/conduit plate
D. Power supply cord wires

4. Use Phillips screwdriver to connect the green ground wire from the power supply cord to the range with the ground-link screw. The ground wire must be attached first.
5. Use $\frac{3}{8}$ " nut driver to connect the neutral (white) wire to the center terminal block post with one of the 10–32 hex nuts.



A. 10–32 hex nut
B. Ground-link screw
C. Line 1 (black)
D. Green ground wire
E. Neutral (center) wire
F. Line 2 (red)

6. Connect line 1 (black) and line 2 (red) wires to the outer terminal block posts with 10-32 hex nuts.
7. Securely tighten hex nuts.

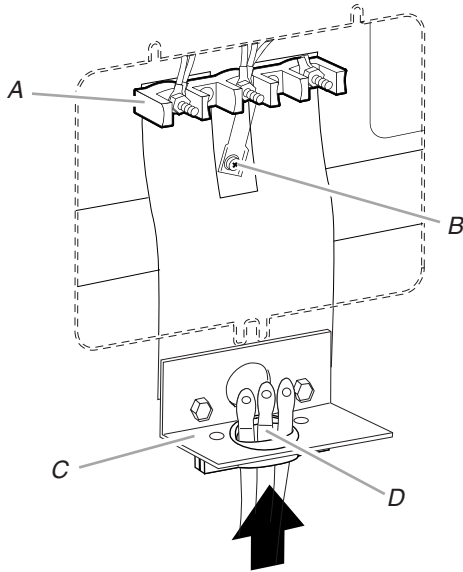
NOTE: For power supply cord replacement, only use a power cord rated at 250 volts minimum, 40 amps or 50 amps that is marked for use with nominal $1\frac{1}{8}$ " (3.5 cm) diameter connection opening, with ring terminals and marked for use with ranges.

8. Replace terminal block access cover.

3-wire connection: Power Supply Cord

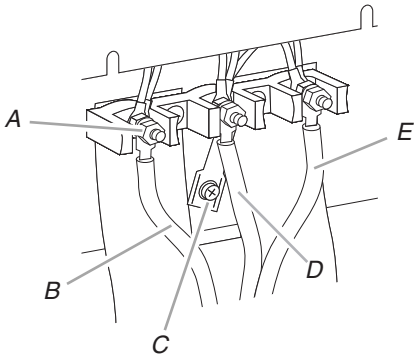
Use this method only if local codes permit connecting chassis ground conductor to neutral wire of power supply cord.

1. Feed the power supply cord through the opening in the cord/conduit plate on bottom of range. Allow enough slack to easily attach the wiring to the terminal block.



A. Terminal block
B. Ground-link screw
C. Cord/conduit plate
D. Power supply cord wires

2. Use $\frac{3}{8}$ " nut driver to connect the neutral (white) wire to the center terminal block post with one of the 10-32 hex nuts.



A. 10-32 hex nut
B. Line 1 (black)
C. Ground-link screw
D. Neutral (white) wire
E. Line 2 (red)

3. Connect line 1 (black) and line 2 (red) wires to the outer terminal block posts with 10-32 hex nuts.
4. Securely tighten hex nuts.

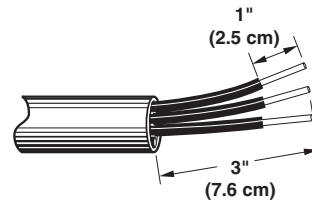
NOTE: For power supply cord replacement, only use a power cord rated at 250 volts minimum, 40 amps or 50 amps that is marked for use with nominal $1\frac{3}{8}$ " (3.5 cm) diameter connection opening, with ring terminals and marked for use with ranges.

5. Replace terminal block access cover.

Direct Wire Installation: Copper or Aluminum Wire

This range may be connected directly to the fuse disconnect or circuit breaker box. Depending on your electrical supply, make the required 3-wire or 4-wire connection.

1. Strip outer covering back 3" (7.6 cm) to expose wires. Strip the insulation back 1" (2.5 cm) from the end of each wire.



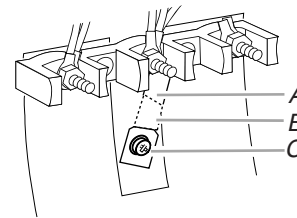
2. Allow enough slack in the wire to easily attach the wiring terminal block.
3. Complete electrical connection according to your type of electrical supply (4-wire or 3-wire connection).

4-wire Connection: Direct Wire

Use this method for:

- New branch-circuit installations (1996 NEC)
- Mobile homes
- Recreational vehicles
- In an area where local codes prohibit grounding through the neutral

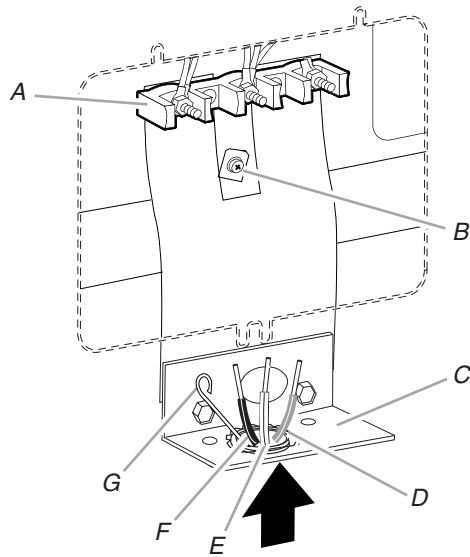
1. Part of metal ground strap must be cut out and removed.



A. Metal ground strap
B. Discard
C. Ground-link screw

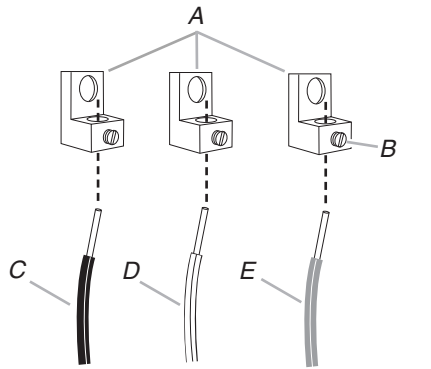
2. Use Phillips screwdriver to remove the ground-link screw from the back of the range. Save the ground-link screw and the end of the ground-link under the screw.

3. Pull the conduit through the strain relief on cord/conduit plate on bottom of range. Allow enough slack to easily attach wiring to the terminal block.



- A. Terminal block
- B. Ground-link screw
- C. Cord/conduit plate
- D. Line 2 (red) wire
- E. Neutral (white) wire
- F. Line 1 (black) wire
- G. Bare (green) ground wire

4. Attach terminal lugs to line 1 (black), neutral (white), and line 2 (red) wires. Loosen (do not remove) the setscrew on the front of the terminal lug and insert exposed wire end through bottom of terminal lugs. Securely tighten set screw to torque as shown in the following Bare Wire Torque Specifications chart.



- A. Terminal lug
- B. Setscrew
- C. Line 1 (black) wire
- D. Neutral (white) wire
- E. Line 2 (red) wire

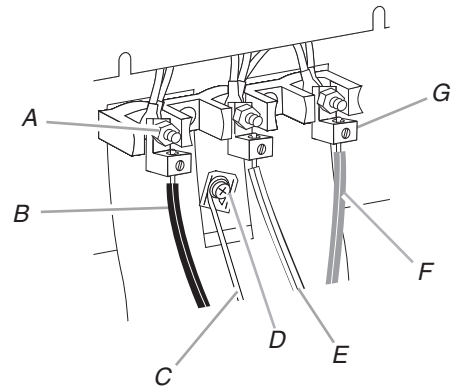
Bare Wire Torque Specifications

Attaching terminal lugs to the terminal block - 20 lbs-in. (2.3 N-m)

Wire Awg	Torque
8 gauge copper	25 lbs-in. (2.8 N-m)
6 gauge aluminum	35 lbs-in. (4.0 N-m)

5. Use Phillips screwdriver to connect the bare (green) ground wire to the range with the ground-link screw. The ground wire must be attached first and must not contact any other terminal.

6. Use $\frac{3}{8}$ " nut driver to connect the neutral (white) wire to the center terminal block post with one of the 10-32 hex nuts.



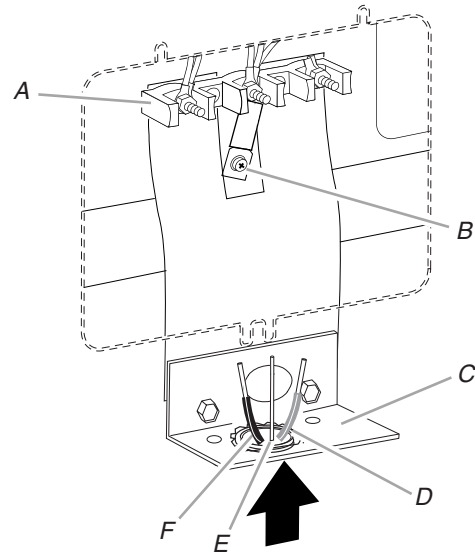
- A. 10-32 hex nut
- B. Line 1 (black)
- C. Bare (green) ground wire
- D. Ground-link screw
- E. Neutral (white) wire
- F. Line 2 (red)
- G. Terminal lug

7. Connect line 1 (black) and line 2 (red) wires to the outer terminal block posts with 10-32 hex nuts.
8. Securely tighten hex nuts.
9. Replace terminal block access cover.

3-wire connection: Direct Wire

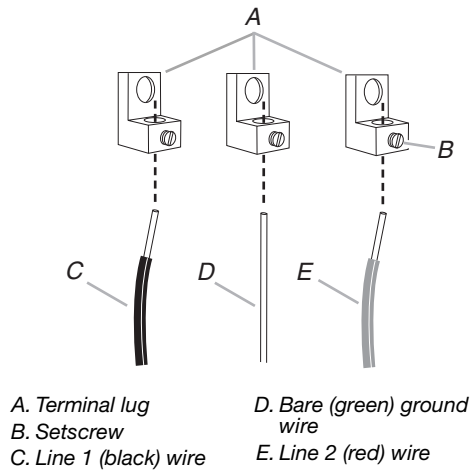
Use this method only if local codes permit connecting ground conductor to neutral supply wire.

1. Pull the conduit through the hole and conduit plate on bottom of range. Allow enough slack to easily attach the wiring to the terminal block.



- A. Terminal block
- B. Ground-link screw
- C. Cord/conduit plate
- D. Line 2 (red) wire
- E. Bare (green) ground wire
- F. Line 1 (black) wire

- Attach terminal lugs to line 1 (black), bare (green) ground, and line 2 (red) wires. Loosen (do not remove) the set screw on the front of the terminal lug and insert exposed wire end through bottom of terminal lugs. Securely tighten setscrew to torque as shown in the following Bare Wire Torque Specifications chart.

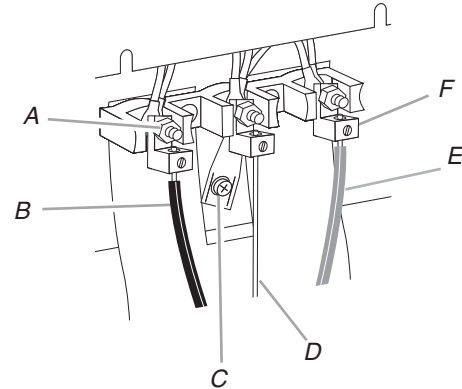


Bare Wire Torque Specifications

Attaching terminal lugs to the terminal block - 20 lbs-in. (2.3 N-m)

Wire Awg	Torque
8 gauge copper	25 lbs-in. (2.8 N-m)
6 gauge aluminum	35 lbs-in. (4.0 N-m)

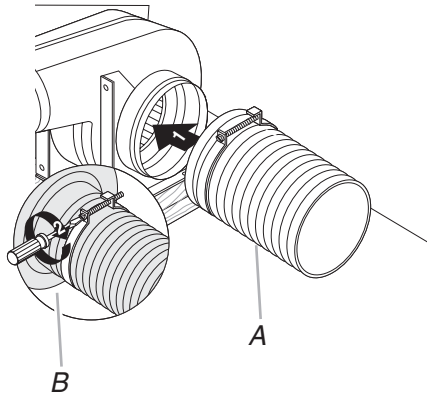
- Use $\frac{3}{8}$ " nut driver to connect the bare (green) ground wire to the center terminal block post with one of the 10-32 hex nuts.



- Connect line 1 (black) and line 2 (red) wires to the outer terminal block posts with 10-32 hex nuts.
- Securely tighten hex nuts.
- Replace terminal block access cover.

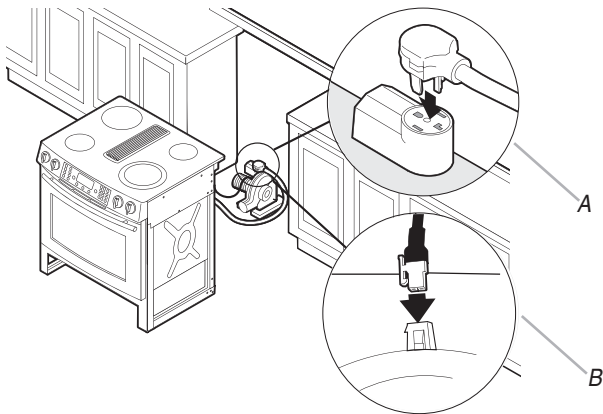
Connect Range to Downdraft System

1. Attach flexible vent (provided) to the blower motor inlet using a vent clamp.



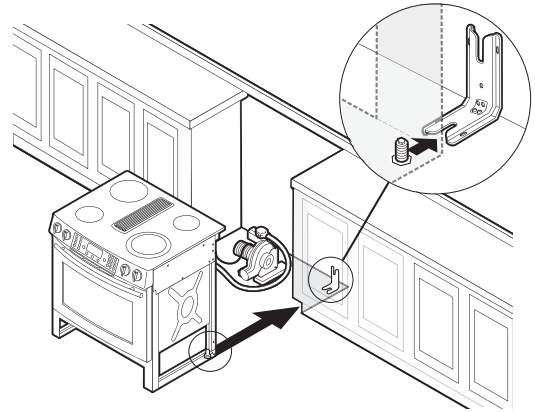
A. Inlet flexible vent
B. Vent clamp

2. Check countertop height to allow range top to clear countertop. Adjusting leveling legs if necessary.
3. Remove access panel by grasping both sides, pulling upward, and lifting out.
4. Move range close to cabinet opening.
5. Plug range into grounded outlet (if using a power supply cord).
6. Plug range electrical connector into the downdraft blower motor.

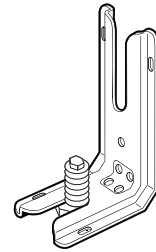


A. Power supply cord (on some installations)
B. Range electrical connector to blower motor

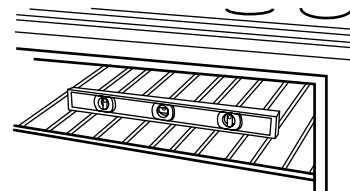
7. Remove cardboard or hardboard from under the range. Using 2 or more people, gently move range into its final location.



8. Check that the anti-tip bracket is installed and that electrical cords are not kinked. Use a flashlight to look underneath the bottom of the range.
 - Look for the anti-tip bracket securely attached to floor or wall.
 - Slide range back so rear range foot is under anti-tip bracket.



9. Level the range.
 - a.) Place rack in oven.
 - b.) Place level on rack and check levelness of the range, first side to side; then front to back.

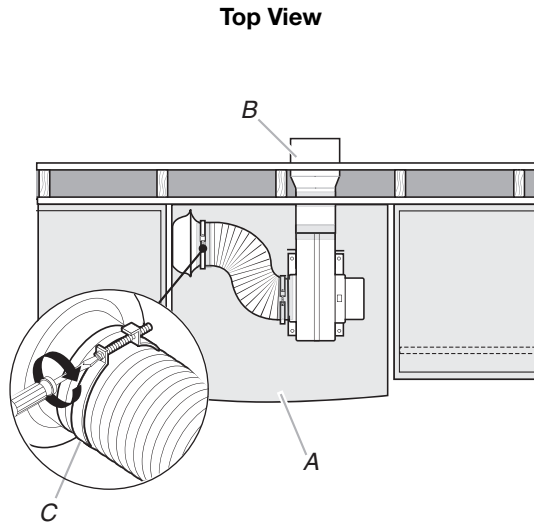


- c.) If range is not level, pull range forward until rear leveling leg is removed from the anti-tip bracket.
- d.) Use a wrench or pliers to adjust leveling legs up or down until range is level.
- e.) Push range back into position.
- f.) Check that rear leveling leg is engaged in anti-tip bracket.

NOTE: Range must be level for satisfactory baking performance.

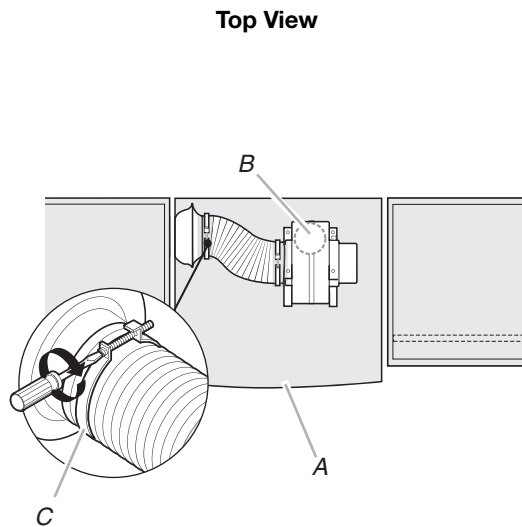
10. Depending on your installation, connect the flexible vent from the blower motor inlet to the range using a vent clamp.

Wall Venting



- A. Range
- B. Wall venting outlet
- C. Vent clamp

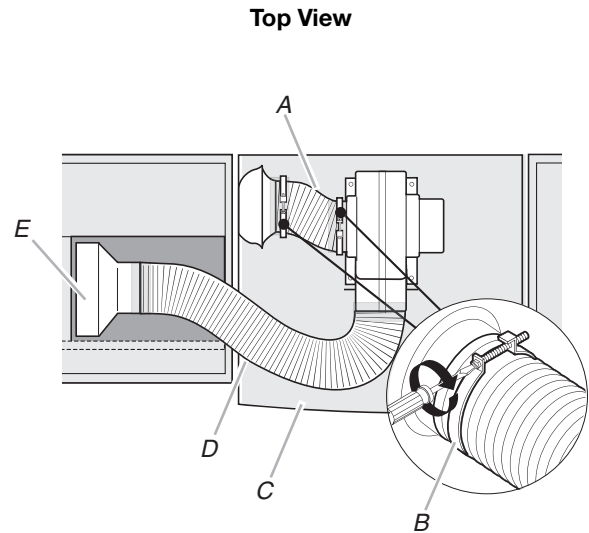
Floor Venting



- A. Range
- B. Floor venting outlet
- C. Vent clamp

Side Venting (left side venting shown)

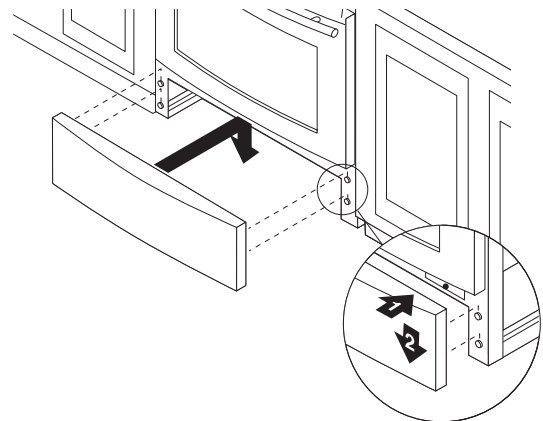
Connect flexible vent duct to range and connect vent system to blower motor outlet.



- A. Flexible vent duct to range
- B. Vent clamp
- C. Range
- D. Vent system
- E. Side venting outlet

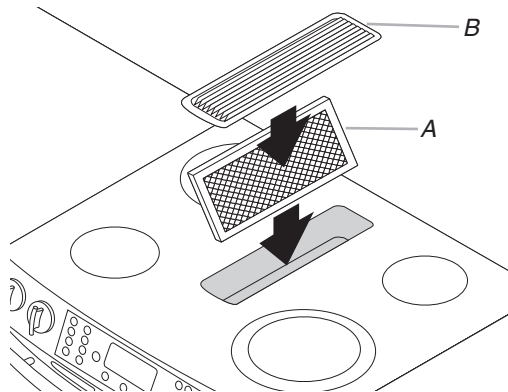
Verify Anti-Tip Is Installed and Engaged

1. Verify the anti-tip bracket is installed and engaged.
 - Use a flashlight to look underneath the bottom of the range.
 - Visually check that the rear foot is inserted into the slot of the anti-tip bracket.
2. Replace access panel.



Complete Installation

1. Insert downdraft vent filter and place vent cover over opening.



A. Filter
B. Grate

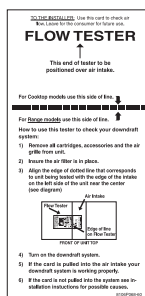
2. Reconnect power.
3. Check that all parts are now installed. If there is an extra part, go back through the steps to see which step was skipped.
4. Check that you have all of your tools.
5. Dispose of/recycle all packaging materials.
6. Check that the range is level. See "Level Range."
7. Use a mild solution of liquid household cleaner and warm water to remove waxy residue caused by shipping material. Dry thoroughly with a soft cloth. For more information, read the "Range Care" section of the Use and Care Guide.
8. Read "Range Use" in the range Use and Care Guide.
9. Turn on surface burners and oven. See the Use and Care Guide for specific instruction on range operation.

If range does not operate, check the following:

- Household fuse is intact and tight; or circuit breaker has not tripped.
- Range is plugged into a grounded outlet.
- Electrical supply is connected.
- See "Troubleshooting" in the Use and Care Guide.

When the range has been on for 5 minutes, check for heat. If range is cold, turn off the range and contact a qualified technician.

10. Use the Flow Tester Card provided with your range to check the air flow (see card for step by step instructions).



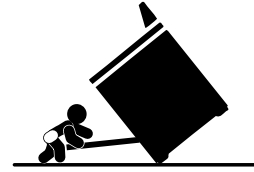
If there is not sufficient air flow, review the "Venting Requirements" and "Venting Methods" sections.

If you need Assistance or Service:

Please reference the "Assistance or Service" section of the Use and Care Guide or contact the dealer from whom you purchased your range.

Moving the Range

! WARNING



Tip Over Hazard

A child or adult can tip the range and be killed.

Install anti-tip bracket to floor or wall per installation instructions.

Slide range back so rear range foot is engaged in the slot of the anti-tip bracket.

Re-engage anti-tip bracket if range is moved.

Do not operate range without anti-tip bracket installed and engaged.

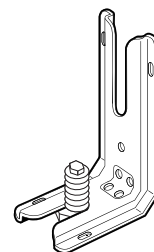
Failure to follow these instructions can result in death or serious burns to children and adults.

When moving range, slide range onto cardboard or hardboard to avoid damaging the floor covering.

If removing the range is necessary for cleaning or maintenance:

For power supply cord-connected ranges:


1. Disconnect range from downdraft vent system.
2. Slide range forward.
3. Unplug the power supply cord.
4. Complete cleaning or maintenance.
5. Plug power supply cord into a grounded outlet.
6. To check that anti-tip bracket is installed, remove access panel and use a flashlight to look underneath the bottom of the range:
 - Look for the anti-tip bracket securely attached to floor or wall.
 - Slide range back so rear range foot is under anti-tip bracket.



7. Check that range is level.
8. Reconnect range to downdraft vent system.

For direct-wired ranges:

! WARNING



Electrical Shock Hazard

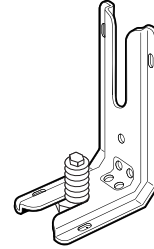
Disconnect power before servicing.

Replace all parts and panels before operating.

Failure to do so can result in death or electrical shock.

1. Disconnect power.
2. Disconnect range from downdraft vent system.
3. Slide range forward.

4. Complete cleaning or maintenance.
5. To check that anti-tip bracket is installed, remove access panel and use a flashlight and look underneath the bottom of the range:
 - Look for the anti-tip bracket securely attached to floor or wall.
 - Slide range back so rear range foot is under anti-tip bracket.



6. Check that range is level.
7. Reconnect range to downdraft vent system.
8. Reconnect power.

SÉCURITÉ DE LA CUISINIÈRE

Votre sécurité et celle des autres est très importante.

Nous donnons de nombreux messages de sécurité importants dans ce manuel et sur votre appareil ménager. Assurez-vous de toujours lire tous les messages de sécurité et de vous y conformer.



Voici le symbole d'alerte de sécurité.

Ce symbole d'alerte de sécurité vous signale les dangers potentiels de décès et de blessures graves à vous et à d'autres.

Tous les messages de sécurité suivront le symbole d'alerte de sécurité et le mot "DANGER" ou "AVERTISSEMENT". Ces mots signifient :

⚠ DANGER

Risque possible de décès ou de blessure grave si vous ne suivez pas immédiatement les instructions.

⚠ AVERTISSEMENT

Risque possible de décès ou de blessure grave si vous ne suivez pas les instructions.

Tous les messages de sécurité vous diront quel est le danger potentiel et vous disent comment réduire le risque de blessure et ce qui peut se produire en cas de non-respect des instructions.

⚠ AVERTISSEMENT

Risque de basculement

Un enfant ou une personne adulte peut faire basculer la cuisinière, ce qui peut causer un décès.

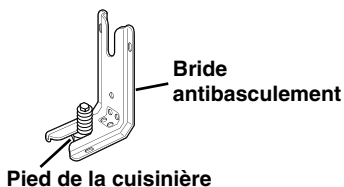
Fixer la bride antibasculement au plancher ou au mur, conformément aux instructions d'installation.

Faire glisser de nouveau la cuisinière de façon à ce que le pied arrière de la cuisinière se trouve dans la fente de la bride antibasculement.

Réengager la bride antibasculement si la cuisinière a été déplacée.

Ne pas faire fonctionner la cuisinière si la bride antibasculement n'est pas installée et engagée.

Le non-respect de ces instructions peut causer un décès ou des brûlures graves aux enfants et aux adultes.



Pour vérifier que la bride antibasculement est bien installée et engagée :

- Faire glisser la cuisinière vers l'avant.
- Vérifier que la bride antibasculement est bien fixée au plancher ou au mur.
- Faire de nouveau glisser la cuisinière vers l'arrière de sorte que le pied de la cuisinière se trouve sous la bride antibasculement.
- Voir les instructions d'installation pour plus de détails.

EXIGENCES D'INSTALLATION

Outils et pièces

Rassembler les outils et composants nécessaires avant d'entreprendre l'installation. Lire et observer les instructions fournies avec chacun des outils de la liste ci-dessous.

Outils nécessaires

- Mètre-ruban
- Niveau
- Tournevis Phillips
- Tournevis à lame plate
- Scie sauteuse ou scie à guichet
- Marqueur ou crayon
- Clé ou pince
- Tourne-écrou de 5/16"
- Tourne-écrou de 1/4"
- Perceuse
- Foret de 1/8" (3,2 mm)
- Foret à maçonnerie à pointe carburée de 3/16" (4,8 mm) (pour planchers en béton/céramique)

Pièces fournies

Vérifier que toutes les pièces sont présentes.

- 3 écrous hexagonaux de #10-32 (vissés au boîtier de connexion)
- 3 attaches de bornes
- 2 ou 3 grilles de four (en fonction du modèle)
- Moteur du ventilateur
- 2 brides pour conduit
- Conduit flexible
- Fiche de test du débit
- Gabarit pour l'emplacement du ventilateur
- 4 vis #8 x 3/4" (pour le montage de la bride du ventilateur)
- 2 vis #12 x 1 1/8" (pour le montage de la bride antibasculement)
- Bride antibasculement (fixée par du ruban adhésif à la pochette contenant la documentation dans la cavité du four)

La bride antibasculement doit être bien fixée à la cloison arrière ou au plancher. La profondeur du plancher peut nécessiter des vis plus longues pour l'ancrage de la bride dans le sous-plancher. Des vis plus longues sont disponibles auprès de votre quincaillerie locale.

Pièces nécessaires

- L'une des bouches de décharge murales Jenn-Air suivantes :
 - Clapet de décharge en surface rond Jenn-Air® 5" (12,7 cm). Référence de commande A405.
 - Clapet de décharge en surface rond Jenn-Air® 6" (15,2 cm). Référence de commande A406.
 - Clapet de décharge en surface Jenn-Air® 3 1/4" x 10" (8,3 x 25,4 cm). Référence de commande A403.
- Pour commander, voir la section "Assistance ou service" du Guide d'utilisation et d'entretien.
- Conduit métallique
- Colliers pour conduit
- Chevilles à béton (pour montage sur sol en béton)
- 2 cales en bois 2" x 4" x 8 3/4" (5 x 10,2 x 22,2 cm) (pour évacuation par la gauche ou par la droite)

En cas d'utilisation d'un cordon d'alimentation électrique :

- Cordon d'alimentation (homologation UL) conçu pour l'utilisation avec une cuisinière. Pour service 250 volts minimum, 40 A ou 50 A, compatible avec une ouverture de diamètre nominal 1 3/8" (3,5 cm) pour le raccordement, et avec coses rondes ou en fourche à pointes relevées à l'extrémité de chaque conducteur.
- Un serre-câble (homologation UL).

Consulter les codes locaux. Vérifier l'alimentation électrique existante. Voir la section "Spécifications électriques".

Il est recommandé de faire réaliser tous les raccordements électriques par un électricien qualifié agréé.

Exigences d'emplacement

IMPORTANT : Observer les dispositions de tous les codes et règlements en vigueur.

- C'est à l'installateur qu'incombe la responsabilité de respecter les distances de séparation exigées, spécifiées sur la plaque signalétique de l'appareil. La plaque signalétique est située sur le côté droit du châssis du four, derrière le panneau du tiroir de remisage.
- La cuisinière doit être installée à un endroit pratique dans la cuisine.
- Afin de supprimer le risque de brûlures ou d'incendie lié au fait de se pencher au-dessus des plaques de cuisson chaudes, les meubles de rangement au-dessus des plaques doivent être évités. Si des placards de rangement sont envisagés, le risque peut être réduit par l'installation d'une hotte de cuisine dépassant le bas des placards d'au moins 5" (12,7 cm) horizontalement.
- Respecter les dimensions indiquées pour les ouvertures à découper dans les placards. Ces dimensions constituent les valeurs minimales des dégagements.
- La bride antibasculement de plancher doit être installée. Pour l'installation de la bride antibasculement fournie avec la cuisinière, voir la section "Installation de la bride antibasculement".
- Une source d'électricité avec liaison à la terre est nécessaire. Voir la section "Spécifications électriques".

IMPORTANT : Afin d'éviter d'endommager les placards, consulter le constructeur de la maison ou le fabricant des placards pour déterminer si les matériaux utilisés peuvent subir un changement de couleur, une déstratification ou d'autres dommages. Ce four a été conçu conformément aux exigences des normes UL et CSA International et respecte les températures maximales permises de 194°F (90°C) pour les placards en bois.

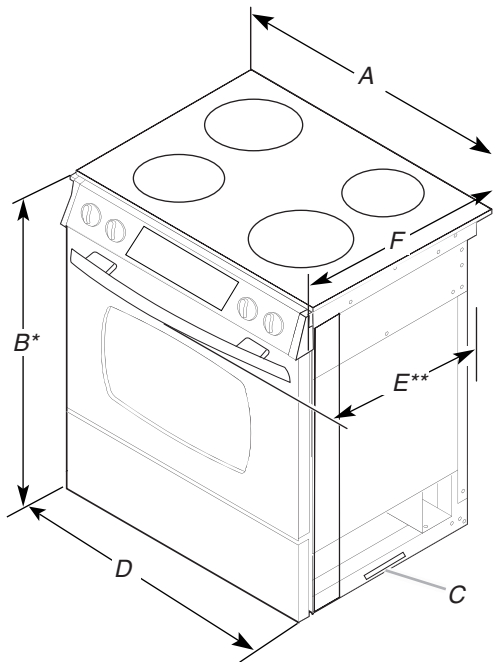
Résidence mobile – Spécifications additionnelles à respecter lors de l'installation

L'installation de cette cuisinière doit être conforme aux dispositions de la norme Manufactured Home Construction and Safety Standard, Title 24 CFR, Part 3280 (anciennement Federal Standard for Mobile Home Construction and Safety, Title 24, HUD Part 280). Lorsque cette norme n'est pas applicable, l'installation doit satisfaire aux critères de la norme Standard for Manufactured Home Installations, ANSI A225.1/NFPA 501A ou aux dispositions des codes locaux.

Autres critères à respecter pour une installation en résidence mobile :

- Dans le cas de l'installation de cette cuisinière dans une résidence mobile, la cuisinière doit être fixée au plancher durant tout déplacement du véhicule. Toute méthode de fixation de la cuisinière est adéquate dans la mesure où elle satisfait aux critères des normes mentionnées ci-dessus.
- Pour une installation en résidence mobile, un câble ou cordon d'alimentation à quatre fils doit être utilisé. Le câblage de l'appareil devra être révisé. Voir la section "Raccordement électrique".

Dimensions du produit



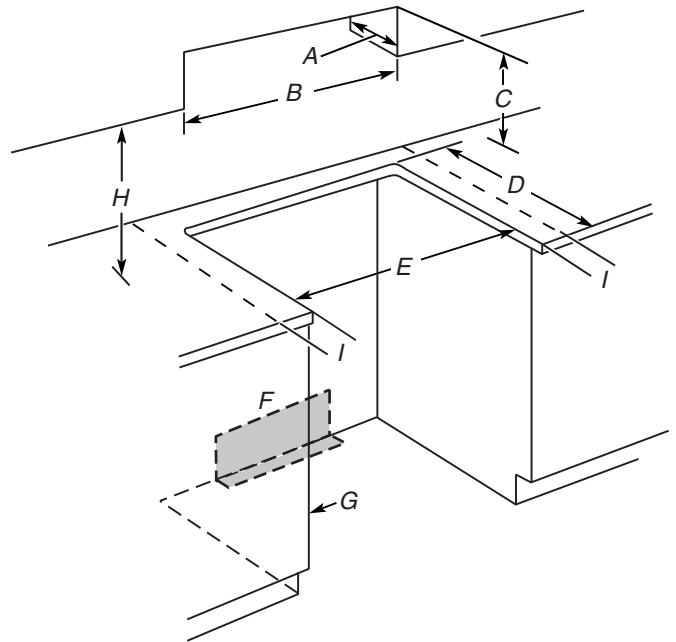
- A. 30 $\frac{3}{4}$ " (78,1 cm)
 B. Hauteur jusqu'à la partie inférieure du bord de la table de cuisson avec les pieds de nivellement complètement rétractés : 35 $\frac{3}{4}$ " (90,8 cm)*
 C. Plaque signalétique (située en bas à droite du châssis du four)
 D. 29 $\frac{7}{8}$ " (75,9 cm)
 E. 29 $\frac{1}{16}$ " (73,8 cm) de la poignée au support à l'arrière de la cuisinière**
 F. 23 $\frac{1}{2}$ " (59,7 cm) du coin du plan de travail à l'arrière de la table de cuisson

*La cuisinière peut être surélevée d'environ 1" (2,5 cm) en ajustant les pieds de nivellement.

**Dans le cas d'une installation entre des placards de 24" (61 cm) avec plan de travail de 25" (63,5 cm), l'avant de la porte du four dépassera les placards inférieurs de 24" (61 cm) d'une distance de 2 $\frac{1}{2}$ " (6,4 cm).

Dimensions du placard

Les dimensions de l'espace entre les placards correspondent à une installation entre des placards de 24" (61,0 cm) de profondeur, avec plan de travail de 25" (64 cm) de profondeur et de 36" (91,4 cm) de hauteur.



- A. Profondeur des placards supérieurs : 13" (33 cm)
 B. Largeur de l'ouverture 30" (76,2 cm) min.
 C. Pour le dégagement vertical minimal de la table de cuisson, voir la REMARQUE*.
 D. Profondeur d'ouverture de 23 $\frac{3}{4}$ " (59,1 cm)
 E. Largeur de l'ouverture 30" (76,2 cm) min.
 F. Boîtier de connexion : 5,5" (14 cm) min. de l'un des deux placards, 10" (25,4 cm) max. du plancher. La prise doit être de type encastré. Aucun élément situé dans la zone ombrée ne doit dépasser de plus de 2" (5,1 cm) du mur, sinon il sera impossible de glisser la cuisinière jusqu'au fond.
 G. La porte ou charnière du placard ne doit pas dépasser à l'intérieur de l'ouverture.
 H. 18" (45,7 cm)
 I. Dégagement de 3" (7,6 cm) min. entre les deux côtés de la cuisinière et les parois latérales ou d'autres matériaux combustibles.

REMARQUE : Distance de séparation minimale de 24" (61 cm) lorsque le fond d'un placard de bois ou de métal est protégé par une planche ignifugée d'au moins $\frac{1}{4}$ " (0,64 cm) recouverte d'une feuille métallique d'épaisseur égale ou supérieure à : acier calibre 28 MSG, acier inoxydable 0,015" (0,4 mm), aluminium 0,024" (0,6 mm), ou cuivre 0,020" (0,5 mm).

Distance de séparation minimale de 30" (76,2 cm) ou plus entre le dessus de la table de cuisson et le fond d'un placard de bois ou de métal non protégé.

Exigences concernant l'évacuation

IMPORTANT : Cette cuisinière doit être ventilée vers l'extérieur. Voir la section "Méthodes d'évacuation".

- Ne pas terminer le circuit d'évacuation dans un grenier ou dans un autre espace fermé.
- Utiliser une bouche de décharge murale Jenn-Air.
- Le circuit doit évacuer l'air à l'extérieur.
- Utiliser uniquement un conduit métallique rond de 6" (15,2 cm) ou un conduit rectangulaire de 3/4" x 10" (8,3 cm x 25,4 cm), sauf dans les cas suivants :
Un conduit métallique rond de 5" (12,7 cm) peut être utilisé pour une évacuation directement depuis l'arrière de la cuisinière à travers le mur sur une longueur de 10 pi (3,0 m) au maximum.
- Un conduit en métal rigide est recommandé. Pour des performances optimales, ne pas utiliser de conduit de plastique ou d'aluminium.
- Avant d'effectuer des découpes, s'assurer que l'espace est suffisant sur le mur ou le plancher pour le conduit d'évacuation.
- On ne doit couper un poteau de colombage ou une solive que si c'est absolument nécessaire. Dans ce cas, on devra construire une structure de support appropriée.
- La taille du conduit doit être uniforme.
- Le circuit d'évacuation doit comporter un clapet anti-retour. Si la bouche de décharge murale ou par le toit comporte un clapet, ne pas utiliser le clapet fourni avec la hotte de cuisinière.
- Pour assurer l'étanchéité de toutes les jonctions du circuit d'évacuation, utiliser des brides pour conduit.
- À l'aide d'un produit de calfeutrage, assurer l'étanchéité autour de la bouche de décharge à l'extérieur (à travers le mur ou le toit).
- Déterminer la méthode d'évacuation la plus appropriée.

Pour obtenir des performances optimales :

- Utiliser un conduit métallique en acier galvanisé de calibre 26 minimum ou en aluminium de calibre 25 minimum. Des raccords de tube de qualité médiocre peuvent réduire la circulation d'air. On déconseille l'emploi d'un conduit en métal flexible.

REMARQUE : Les codes locaux peuvent imposer un matériau d'épaisseur supérieure.

- Les conduits métalliques peuvent être réduits à de l'acier galvanisé de calibre 30 ou de l'acier aluminisé de calibre 26 si les codes locaux l'autorisent. Cette réduction repose sur les informations du document International Residential Codes Section M1601.1 (édition 2006).

- Ne pas installer 2 coudes successifs.
- Ne pas utiliser plus de trois coudes à 90°.
- Si un coude est utilisé, on doit le placer le plus loin possible de l'ouverture de décharge du ventilateur de la hotte.
- Veiller à incorporer une section de conduit rectiligne d'au moins 18" (45,7 cm) entre deux raccords coudés adjacents.
- Des coudes trop rapprochés peuvent occasionner une turbulence excessive qui réduit la circulation de l'air.
- Ne pas utiliser de coude de 5" (12,7 cm) dans un circuit de 6" (15,2 cm) ou 3/4" x 10" (8,3 x 25,4 cm)
- Ne pas effectuer de réduction en un circuit de 5" (12,7 cm) après avoir utilisé des raccords de 6" (15,2 cm) ou 3/4" x 10" (8,3 x 25,4 cm).
- Éviter les assemblages par sertissage à la main. Les sertissages à la main peuvent réduire la circulation d'air.
- Utiliser une bouche de décharge Jenn-Air. Si une autre bouche de décharge de toit ou murale est utilisée, s'assurer que ses dimensions ne sont pas plus petites et qu'elle est équipée d'un clapet anti-retour.
- Pour assurer l'étanchéité de toutes les jonctions du circuit d'évacuation, utiliser des brides pour conduit.
- À l'aide d'un produit de calfeutrage, assurer l'étanchéité autour de la bouche de décharge à l'extérieur (à travers le mur ou le toit).

La longueur du système d'évacuation et le nombre de coudes doit être réduit au minimum pour une performance optimale.

La longueur équivalente maximale du circuit d'évacuation est de 60 pi (18,3 m). À une altitude supérieure à 4500 pi (1272 m), réduire la longueur de 20 % pour une meilleure performance.

Installations dans les régions au climat froid

On devrait installer un clapet anti-retour additionnel pour minimiser le reflux d'air froid et installer une barrière thermique pour minimiser la conduction des températures extérieures par l'intermédiaire du conduit d'évacuation. Le clapet anti-retour être placé du côté air froid de la barrière thermique.

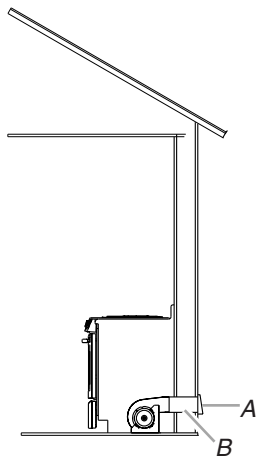
Air d'appoint

Les codes locaux en bâtiment peuvent imposer l'emploi d'un circuit de renouvellement de l'air/introduction d'air d'appoint, lors de l'utilisation d'un circuit d'aspiration de débit supérieur à une valeur spécifiée en pieds cubes par minute. Le débit spécifié en pieds cubes par minute varie d'une juridiction à l'autre. Consulter un professionnel des installations de chauffage ventilation/climatisation au sujet des exigences spécifiques applicables dans la juridiction locale.

Méthodes d'évacuation

Les méthodes communes d'évacuation sont illustrées pour une cuisinière à aspiration par le bas. L'évacuation de la cuisinière à aspiration par le bas peut se faire par le mur ou le plancher.

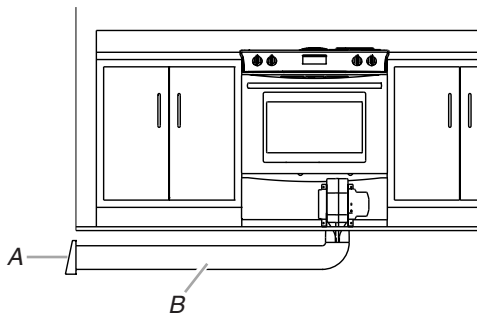
Évacuation par le mur



A. Bouche de décharge murale
B. Conduit de dia. 6" (15,2 cm) – sortie à travers le toit

Évacuation par le plancher

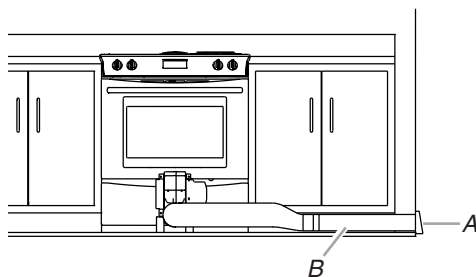
Évacuation entre solives de plancher



A. Bouche de décharge murale
B. Conduit de dia. 6" (15,2 cm) – sortie à travers le toit

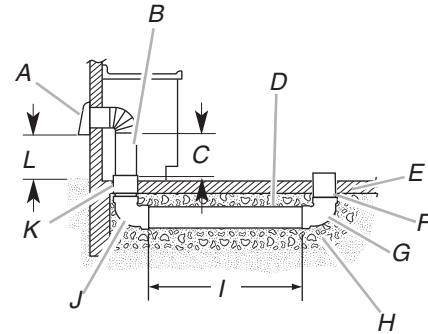
Évacuation par la gauche ou par la droite

Évacuation derrière les garde-pieds des placards



A. Bouche de décharge murale
B. Conduit de dia. 6" (15,2 cm) – sortie à travers le toit

Installations sur dalle de béton - Évacuation par le mur

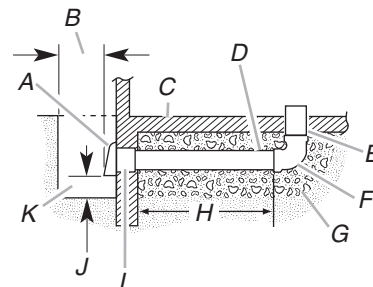


A. Bouche de décharge murale
B. Conduit métallique rond de dia. 6" (15,2 cm)
C. 16" (40,6 cm) maximum
D. Conduit PVC dia. 6" (15,2 cm) (pour égout)
E. Dalle de béton
F. Conduit PVC dia. 6" (15,2 cm) (pour égout)
G. Raccord coudé 90° PVC dia. 6" (15,2 cm) (pour égout)
H. Gravier ou sable compacté tout autour du tuyau
I. 30 pi (9,1 m) max.
J. Raccord coudé 90° PVC dia. 6" (15,2 cm) (pour égout)
K. Raccord PVC dia. 6" (15,2 cm)
L. 12" (30,5 cm) minimum

Installations sur dalle de béton

- Évacuation par un puits de fenêtre

IMPORTANT : Installation à travers un puits de fenêtre pour modèles électriques uniquement.



A. Bouche de décharge murale
B. 12" (30,5 cm) minimum
C. Dalle de béton
D. Conduit PVC dia. 6" (15,2 cm) (pour égout)
E. Conduit PVC dia. 6" (15,2 cm) (pour égout)
F. Raccord coudé 90° PVC dia. 6" (15,2 cm) (pour égout)
G. Gravier ou sable compacté tout autour du tuyau
H. 42 pi (12,8 m) max.
I. Raccord PVC dia. 6" (15,2 cm)
J. 6" (15,2 cm) minimum
K. Puits de fenêtre







Calcul de la longueur effective du circuit d'évacuation

IMPORTANT : Cette cuisinière accepte jusqu'à 60 pi (18,3 m) de conduit droit. Le mode à faible aspiration admet jusqu'à 30 pi (9,1 m); le mode à forte aspiration admet de 31 pi (9,4 m) à 60 pi (18,3 m).

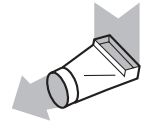
Si la longueur équivalente de conduit dépasse 30 pi (18,3 m), le ventilateur doit être converti au mode à forte aspiration.

- Ne pas convertir au mode à forte aspiration pour les longueurs plus courtes. Il en résulterait un bruit excessif, une perte d'air conditionné et une déformation des flammes sur les cuisinières à gaz.
- Pour convertir le ventilateur dans le cas d'une installation dans le mode à forte aspiration, voir la section "Installation du circuit d'évacuation par le bas".

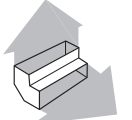
Pour calculer la longueur effective du circuit d'évacuation nécessaire, additionner les longueurs équivalentes (en pieds ou mètres) de tous les composants utilisés dans le système.

Composant	Conduit de diamètre de 6" (15,2 cm)	
Coude à 45°	2,5 pi (0,8 m)	
Coude à 90°	5 pi (1,5 m)	
Bouche de décharge murale de 6" (15,2 cm)	0 pi (0 m)	
Raccord de 3/4" x 10" (8,3 cm x 25,4 cm) vers 6" (15,2 cm)	4,5 pi (1,4 m)	
Raccord de 6" (15,2 cm) vers 3/4" x 10" (8,3 cm x 25,4 cm)	1 pi (0,3 m)	
Raccord coudé à 90° de 3/4" x 10" (8,3 cm x 25,4 cm) vers 6" (15,2 cm)	5 pi (1,5 m)	

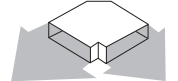
Raccord coudé à 90° de 6" (15,2 cm) vers 3/4" x 10" (8,3 cm x 25,4 cm) 5 pi (1,5 m)



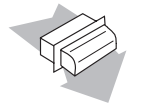
Coude à 90° de 3/4" x 10" (8,3 cm x 25,4 cm) 5 pi (1,5 m)



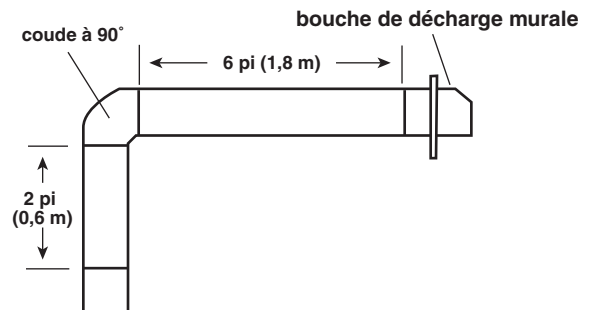
Coude plat de 3/4" x 10" (8,3 cm x 25,4 cm) 12 pi (3,7 m)



Bouche de décharge murale de 3/4" x 10" (8,3 cm x 25,4 cm) 0 pi (0 m)



Exemple de circuit d'évacuation



Longueur maximum = 60 pi (18,3 m)

1 coude à 90° = 5 pi (1,5 m)

Section droite de 8 pi (2,4 m) = 8 pi (2,4 m)

1 bouche de décharge murale = 0 pi (0 m)

Longueur totale = 13 pi (3,9 m)

REMARQUE : On déconseille l'emploi d'un conduit flexible pour une évacuation vers l'extérieur. Un conduit flexible peut causer une contre-pression et des turbulences d'air, qui réduisent considérablement la performance.

⚠️ AVERTISSEMENT



Risque de choc électrique

Relier la cuisinière à la terre.

Le non-respect de cette instruction peut causer un décès, un incendie ou un choc électrique.

Si l'on utilise un conducteur distinct de liaison à la terre lorsque les codes le permettent, il est recommandé qu'un électricien qualifié vérifie que la liaison à la terre est adéquate et la section des fils conforme aux codes locaux.

Vérifier que le raccordement à la source d'électricité et le calibre des conducteurs sont conformes aux prescriptions de la plus récente édition de la norme CSA C22.1, partie 1 – Code canadien de l'électricité, et de tout code ou règlement local en vigueur.

Pour obtenir un exemplaire des normes des codes ci-dessus, contacter :

Canadian Standards Association
178 Rexdale Blvd.
Toronto, ON M9W 1R3 CANADA

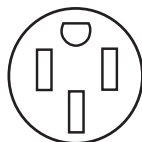
- En cas de doute quant à la qualité de la liaison à la terre de la cuisinière, consulter un électricien qualifié.

Puissance nominale de la cuisinière*		Intensité nominale spécifiée du cordon d'alimentation et de la protection du circuit
120/240 volts	120/208 volts	Ampère

8,8 - 16,5 kW	7,8 - 12,5 kW	40 ou 50
16,6 - 22,5 kW	12,6 - 18,5 kW	50

*La charge NEC calculée est inférieure à la charge totale connectée indiquée sur la plaque signalétique.

- On recommande d'utiliser un fusible ou un disjoncteur temporisé.
- Cette cuisinière est équipée d'un cordon électrique homologué par la CSA International à brancher dans une prise murale standard 14-50R. Veiller à ce que la prise murale se trouve à proximité de l'emplacement définitif de la cuisinière.



- Ne pas utiliser de câble de rallonge.

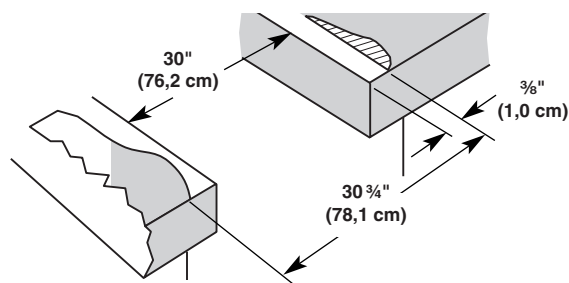
Préparation du plan de travail (cuisinières encastrées uniquement)

Les flancs de la cuisinière encastrable s'ajustent par-dessus le bord de la découpe du plan de travail.

Si le plan de travail est plat aux arêtes carrées et la largeur de l'ouverture est de 30" (76,2 cm), aucune préparation du plan de travail n'est nécessaire.

Dans le cas d'un plan de travail à bords avant bombés, on devra usiner une surface plane dans le bord moulé de 3/8" (1,0 cm) à chaque coin avant de l'ouverture.

Dans le cas d'un plan de travail de carrelage, il peut être nécessaire de réduire le revêtement de 3/8" (1 cm) à chaque coin avant et/ou d'aplanir le bord avant arrondi.



Si la largeur de l'ouverture du plan de travail est supérieure à 30" (76,2 cm), ajuster la dimension 3/8" (1,0 cm).

Le plan de travail doit être d'aplomb. Placer un niveau sur le plan de travail, d'abord transversalement, puis dans la profondeur. Si le plan de travail n'est pas d'aplomb, la cuisinière ne le sera pas. La cuisinière doit être d'aplomb pour pouvoir obtenir des résultats de cuisson satisfaisants.

INSTRUCTIONS D'INSTALLATION

Déballage de la cuisinière

AVERTISSEMENT

Risque du poids excessif

Utiliser deux ou plus de personnes pour déplacer et installer la cuisinière.

Le non-respect de cette instruction peut causer une blessure au dos ou d'autre blessure.

1. Ôter les matériaux d'emballage, le ruban adhésif et la pellicule protectrice de la cuisinière. Garder la base de carton sous la cuisinière.
2. Retirer les grilles de four et le sachet de pièces de l'intérieur du four.
3. Pour retirer la base en carton, placer la cuisinière sur sa partie postérieure, prendre les 4 coins de protection du carton d'emballage. Empiler l'un des coins sur un autre. Répéter avec les 2 autres coins. Les disposer sur le plancher dans le sens de la longueur derrière la cuisinière, à titre de support de la cuisinière lorsque celle-ci est placée sur sa partie postérieure.
4. À 2 personnes ou plus, saisir fermement la cuisinière et la déposer délicatement sur sa partie postérieure, sur les coins de protection du carton.
5. Tirer fermement sur la partie inférieure du carton pour le retirer.
6. Utiliser une clé à molette pour desserrer les pieds de nivellement.
7. Placer le carton ou le panneau de fibres dur devant la cuisinière. À l'aide d'au moins 2 personnes, relever la cuisinière et la placer sur le carton ou le panneau de fibres dur.

Réglage des pieds de nivellement

1. Si un ajustement de la hauteur de la cuisinière est nécessaire, utiliser une clé ou une pince pour desserrer les 4 pieds de nivellement.

Cette opération doit être effectuée alors que la cuisinière repose sur sa partie postérieure ou qu'elle est supportée par 2 pieds après avoir été replacée en position verticale.

REMARQUE : Pour placer à nouveau la cuisinière en position verticale, placer un carton ou un panneau de fibres dur devant la cuisinière. À l'aide d'au moins 2 personnes, redresser la cuisinière et la placer sur le carton ou le panneau de fibres dur.

2. Ajuster les pieds de nivellement à la hauteur nécessaire. Les pieds de nivellement peuvent être desserrés pour ajouter une hauteur maximale de 1" (2,5 cm). Une longueur minimale de $\frac{3}{16}$ " (5 mm) est nécessaire pour engager la bride antibasculement.

REMARQUE : Si un ajustement de la hauteur est effectué alors que la cuisinière est debout, incliner la cuisinière vers l'arrière pour ajuster les pieds avant, puis incliner la cuisinière vers l'avant pour ajuster les pieds arrière.

3. Lorsque la cuisinière est à la hauteur souhaitée, vérifier que l'espace sous la cuisinière est suffisant pour loger la bride antibasculement. Avant de faire glisser la cuisinière à son emplacement final, vérifier qu'il sera possible de faire glisser la bride antibasculement sous la cuisinière et sur le pied de nivellement arrière avant l'installation de la bride antibasculement.

Installation de la bride antibasculement

AVERTISSEMENT



Risque de basculement

Un enfant ou une personne adulte peut faire basculer la cuisinière, ce qui peut causer un décès.

Fixer la bride antibasculement au plancher ou au mur, conformément aux instructions d'installation.

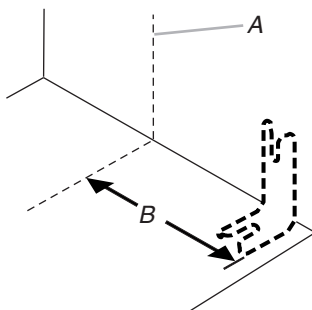
Faire glisser de nouveau la cuisinière de façon à ce que le pied arrière de la cuisinière se trouve dans la fente de la bride antibasculement.

Réengager la bride antibasculement si la cuisinière a été déplacée.

Ne pas faire fonctionner la cuisinière si la bride antibasculement n'est pas installée et engagée.

Le non-respect de ces instructions peut causer un décès ou des brûlures graves aux enfants et aux adultes.

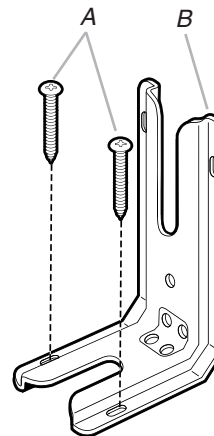
- Ôter la bride antibasculement fixée par du ruban adhésif à la pochette contenant la documentation.
- Déterminer la méthode de montage à utiliser : au plancher ou au mur.
Pour un plancher en pierre ou en briquetage, on peut utiliser la méthode de montage au mur.
- Déterminer et marquer l'axe central de l'espace à découper. On peut installer la bride de montage du côté gauche ou droit de la découpe. Positionner la bride de montage dans la zone découpée de façon à ce que le bord droit (ou gauche) de la bride se trouve à 14¼" (36,2 cm) de l'axe central, tel qu'illustré.



A. Axe central
B. 14¼" (36,2 cm)

- Percer deux trous de 1/8" (3,0 mm) qui correspondent aux trous de la bride selon la méthode de montage déterminée. Voir ci-dessous.

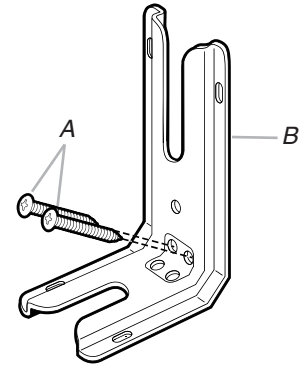
Montage au plancher



A. Vis n°12 x 1/8"

B. Bride antibasculement

Montage mural



A. Vis n°12 x 1/8"

B. Bride antibasculement

- À l'aide d'un tournevis Phillips, monter la bride antibasculement sur le mur ou sur le plancher avec les deux vis n°12 x 1/8" fournies.

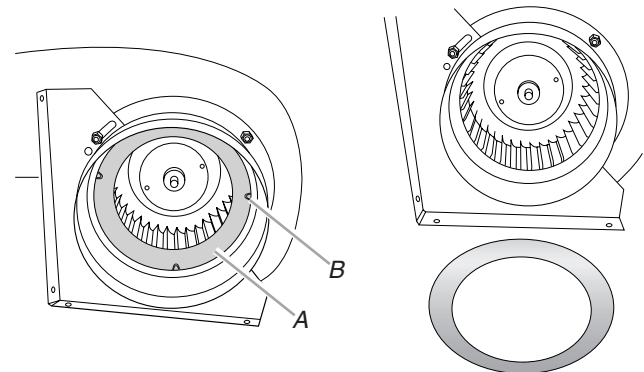
Installation du circuit d'évacuation par le bas

Déterminer la longueur équivalente du circuit d'évacuation

Cette cuisinière est équipée d'un ventilateur à deux débits. Sa configuration d'usine concerne les installations à faible aspiration. Si la longueur équivalente du système d'évacuation par le bas dépasse 30 pieds (9,1 m), le ventilateur d'aspiration doit être converti au mode à forte aspiration pour une meilleure performance. Voir "Calcul de la longueur effective du circuit d'évacuation".

Pour effectuer la conversion :

Retirer doucement l'anneau de réduction à ressort de l'entrée du ventilateur en appuyant sur l'un des trois ressorts.



A. Anneau de restriction

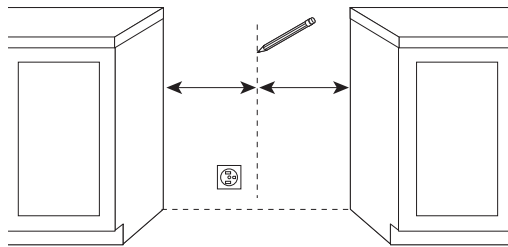
B. Ressort

Déterminer la méthode d'évacuation à utiliser : par le plancher, le mur arrière, le côté droit ou le côté gauche. Consulter la section se rapportant à votre type d'évacuation.

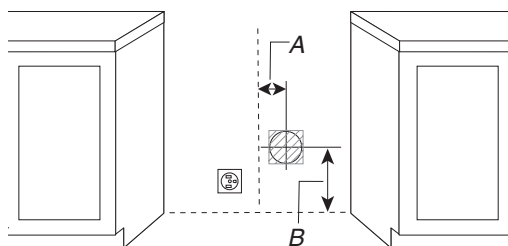
Éviter de couper du câblage électrique en effectuant les coupes dans le sol ou le mur.

Évacuation par le mur arrière

1. Tracer sur le mur l'axe central de l'ouverture entre les placards.

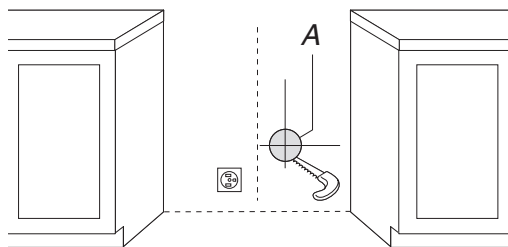


2. Vérifier l'absence d'obstruction avant de tracer l'emplacement du trou d'évacuation. Tracer une ligne horizontale à $8\frac{3}{16}$ " (20,8 cm) du sol. Tracer une ligne verticale à droite de l'axe central entre placards, distante de $2\frac{1}{4}$ " (7,9 cm) au maximum de l'axe central.



A. $2\frac{1}{4}$ " (7,9 cm) maximum à droite de l'axe central
B. $8\frac{3}{16}$ " (20,8 cm) du sol

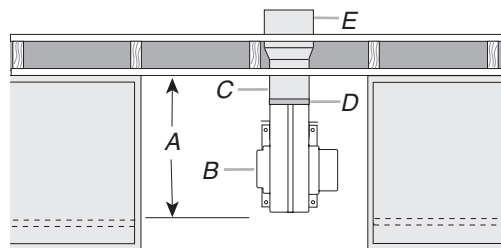
3. Tracer et découper un trou de $6\frac{1}{4}$ " (15,8 cm) de diamètre.



A. $6\frac{1}{4}$ " (15,8 cm)

4. Placer le ventilateur dans l'ouverture entre les placards. Raccorder le circuit d'évacuation à la sortie du ventilateur à l'aide d'une bride pour conduit.

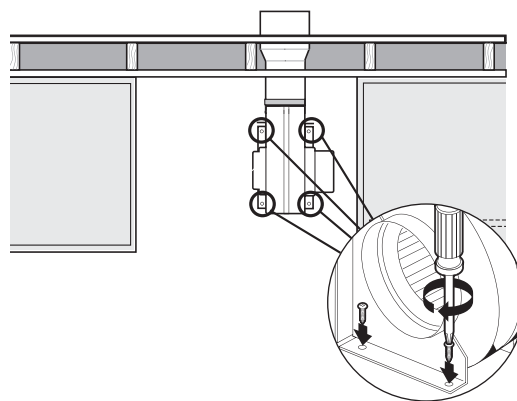
Vue de dessus



A. $18\frac{3}{4}$ " (47,6 cm) maximum entre l'ouverture entre les placards et le mur arrière
B. Entrée
C. Circuit d'évacuation
D. Bride pour conduit
E. Évacuation murale

5. Fixer le ventilateur au sol avec les 4 vis #8 x $\frac{3}{4}$ " à tête hexagonale fournies.

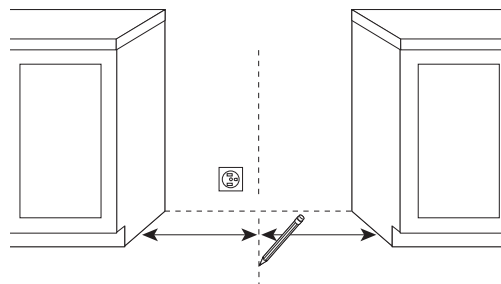
Vue de dessus



6. Passer à la section "Raccordement électrique".

Évacuation par le plancher

1. Tracer au sol l'axe central de l'ouverture entre les placards.



2. Placer le gabarit sur le sol à $2\frac{1}{4}$ " (5,7 cm) du mur arrière en faisant correspondre son axe central avec l'axe central tracé au sol.

3. Déterminer la position correcte du trou d'évacuation en fonction des obstructions (solives) dans le plancher.
Le trou peut être découpé partout dans les limites de l'une des zones hachurées.

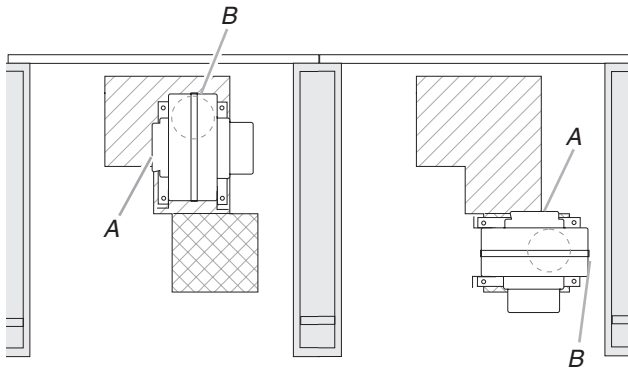
Option 1 : En cas d'utilisation de la zone hachurée arrière (la plus grande), l'entrée du ventilateur doit faire face au côté gauche, comme illustré sur le gabarit.

Option 2 : En cas d'utilisation de la zone hachurée avant (la plus petite), l'entrée du ventilateur doit faire face au mur arrière.

Vue de dessus

Option 1

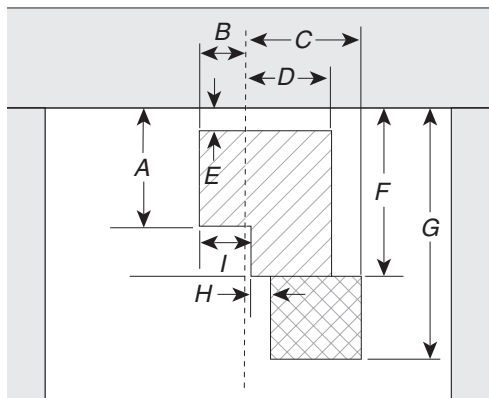
Option 2



A. Entrée depuis la cuisinière
B. Sortie d'évacuation

REMARQUE : Si le gabarit est égaré, les mesures suivantes peuvent servir à déterminer l'emplacement du trou d'évacuation.

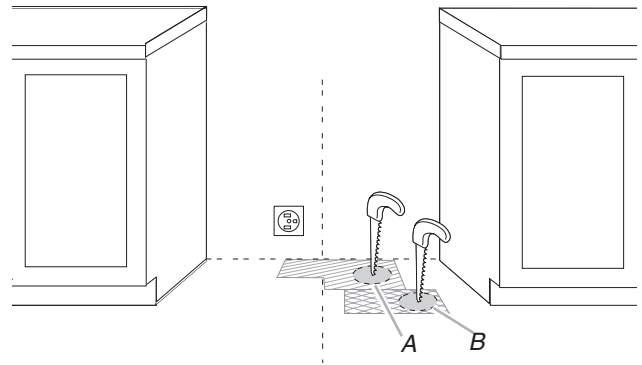
Vue de dessus



- A. 9" (22,8 cm)
- B. 3 1/8" (7,9 cm)
- C. 8 3/8" (21,3 cm)
- D. 6 3/8" (16,2 cm)
- E. 2 1/4" (5,7 cm)

- F. 12 1/2" (31,7 cm)
- G. 18 3/4" (47,6 cm)
- H. 1 1/2" (3,8 cm)
- I. 3 1/2" (8,9 cm)

4. Tracer et découper un trou de 6 1/4" (15,8 cm) de diamètre (option 1 illustrée).



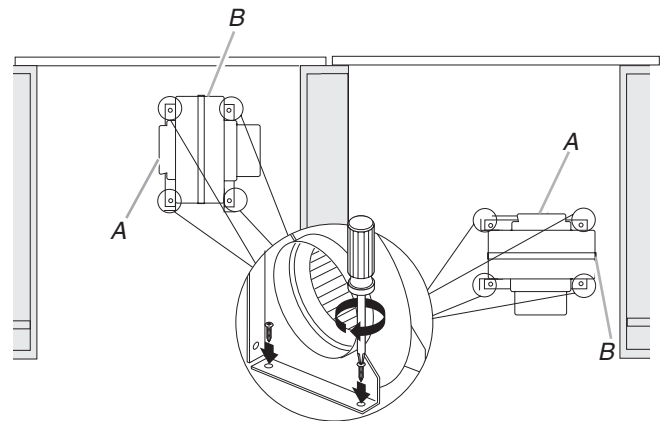
A. Option 1
B. Option 2

5. Placer le ventilateur dans l'ouverture entre les placards et le fixer au sol.

Vue de dessus

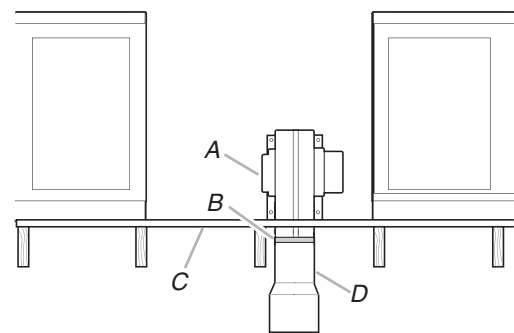
Option 1

Option 2



A. Entrée depuis la cuisinière
B. Sortie d'évacuation

6. Raccorder le circuit d'évacuation à la sortie du ventilateur (option 1 illustrée) avec les 4 vis #8 x 3/4" à tête hexagonale fournies.

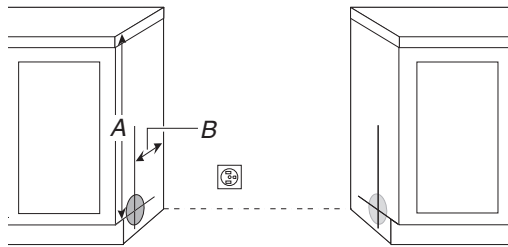


A. Entrée
B. Bride pour conduit
C. Plancher
D. Circuit d'évacuation

7. Passer à la section "Raccordement électrique".

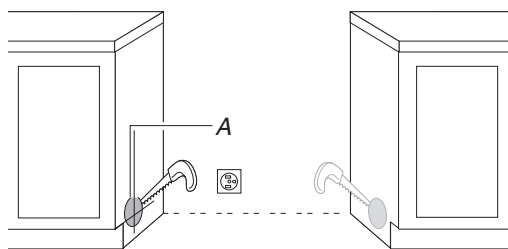
Évacuation par la gauche ou par la droite

1. Repérer sur le côté du placard l'emplacement du trou d'évacuation à droite ou à gauche.



A. 31 $\frac{3}{16}$ " (79,2 cm) jusqu'en haut du placard
B. 18" (45,7 cm) depuis le mur arrière

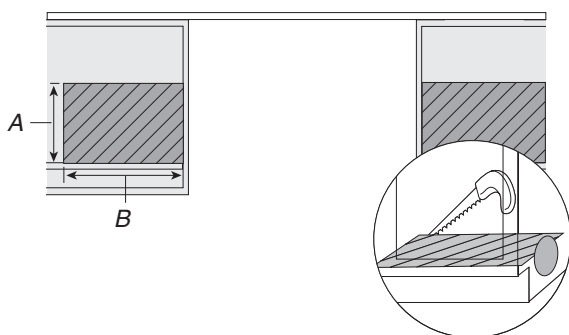
2. Tracer et découper un trou de 5 $\frac{1}{2}$ " (13,9 cm) de diamètre sur le placard du côté souhaité.



A. Trou de 5 $\frac{1}{2}$ " (13,9 cm) de diamètre

3. Tracer et découper une ouverture de 14" x 11" (35,6 x 27,9 cm) dans le plancher du placard portant la découpe du trou d'évacuation.

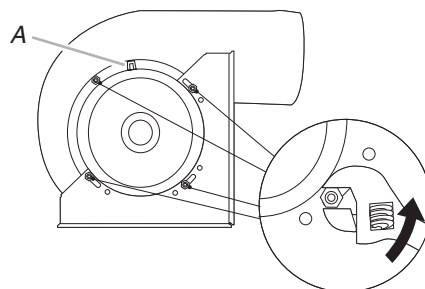
Vue de dessus



A. 11" (27,9 cm) à partir de l'avant du placard
B. 14" (35,6 cm) à partir du côté gauche du placard

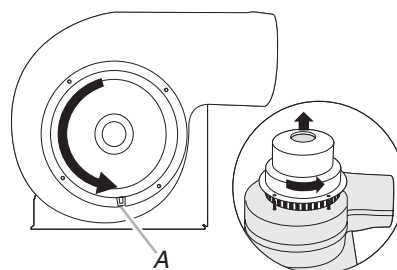
4. Dévisser les quatre écrous de blocage du côté moteur du ventilateur et retirer le support.

Vue du ventilateur coté moteur



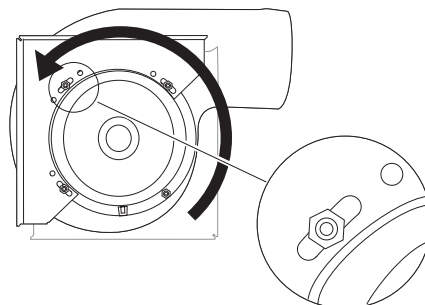
A. Connecteur électrique

5. Soulever le moteur et le faire pivoter de 180° pour replacer la connexion électrique.

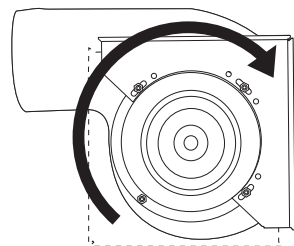


A. Connecteur électrique

6. Faire pivoter le support de 180° et le fixer avec les 4 écrous de blocage.

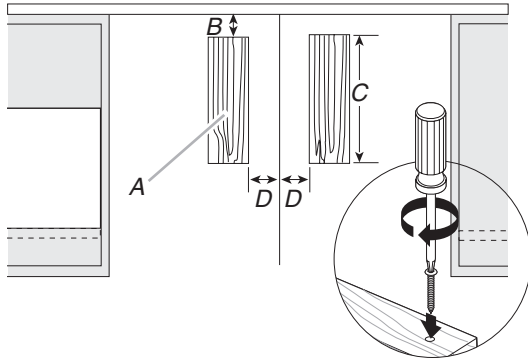


7. Dévisser le support de l'autre côté du ventilateur, le faire pivoter de 180° et le fixer avec les 4 écrous de blocage.



8. Placer 2 cales en bois et les fixer au sol.

Vue de dessus

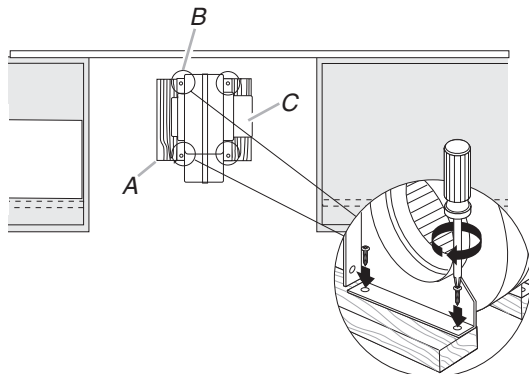


- A. Cales de 2" x 4" (5 x 10,2 cm) en bois
 B. 2⁷/₁₆" (7,3 cm) entre l'arrière du mur et le bord de la cale en bois
 C. 8³/₄" (22,2 cm)
 D. 2⁵/₁₆" (5,8 cm) entre l'axe central de l'ouverture et la cale en bois

9. Fixer le ventilateur aux cales en bois avec les 4 vis #8 x 3/4" à tête hexagonale fournies.

REMARQUE : Le circuit d'évacuation sera raccordé une fois la cuisinière à son emplacement final. Voir la section "Raccordement la cuisinière au circuit d'évacuation par le bas".

Vue de dessus

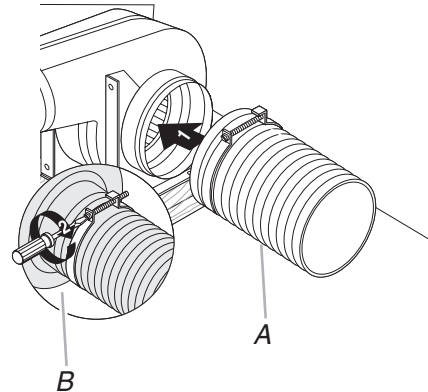


- A. Cales en bois
 B. Support de montage
 C. Ventilateur

10. Passer à la section "Raccordement électrique".

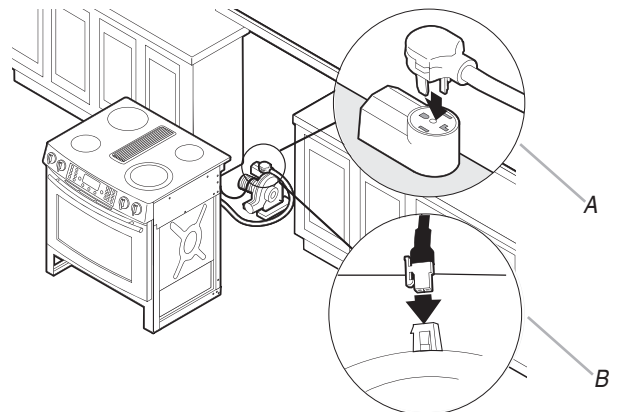
Raccordement de la cuisinière au circuit d'évacuation par le bas

1. Raccorder le conduit flexible (fourni) à l'entrée du ventilateur à l'aide d'une bride pour conduit.



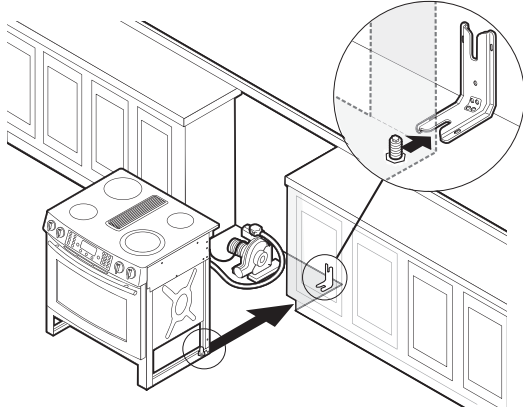
- A. Conduit flexible d'entrée
 B. Bride pour conduit

2. Vérifier la hauteur du plan de travail pour s'assurer que la cuisinière passe dessous. Régler les pieds de nivellement le cas échéant.
 3. Déposer le panneau d'accès en le tirant vers le haut des deux mains de chaque côté et en le soulevant pour l'extraire.
 4. Déplacer la cuisinière près de l'ouverture d'encastrement.
 5. Brancher la cuisinière à une prise reliée à la terre (en cas d'utilisation d'un cordon d'alimentation).
 6. Brancher le connecteur électrique de la cuisinière au ventilateur d'évacuation par le bas.



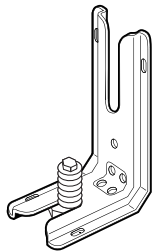
- A. Cordon d'alimentation (sur certaines installations)
 B. Connecteur électrique de la cuisinière au ventilateur

7. Retirer le carton ou le panneau de fibre dur de sous la cuisinière. À deux personnes ou plus, déplacer doucement la cuisinière à son emplacement final.



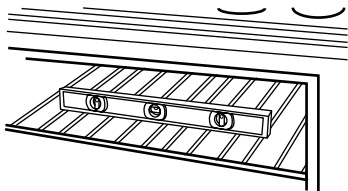
8. Vérifier que la bride antibasculement est installée et que les câbles électriques ne sont pas pincés. Au moyen d'une torche électrique, inspecter le dessous de la cuisinière.

- Vérifier que la bride antibasculement est bien fixée au plancher ou au mur.
- Faire glisser de nouveau la cuisinière de façon à ce que le pied arrière de la cuisinière se trouve sous la bride antibasculement.



9. Régler l'aplomb de la cuisinière.

- a.) Placer la grille dans le four.
- b.) Placer un niveau sur la grille et contrôler l'aplomb de la cuisinière, d'abord transversalement, puis dans le sens avant/arrière.



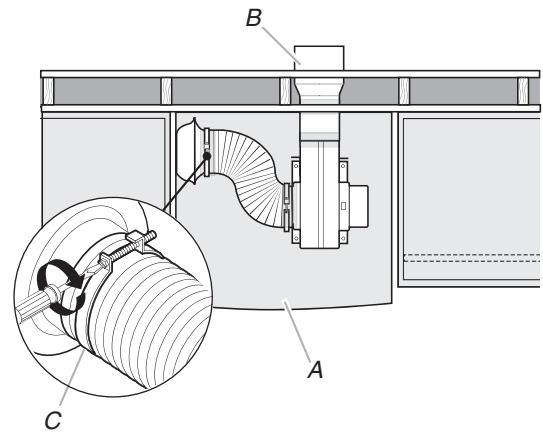
- c.) Si la cuisinière n'est pas d'aplomb, la tirer de nouveau pour que le pied de nivellement arrière se dégage de la bride antibasculement.
- d.) Utiliser une pince multiprise pour régler les pieds de nivellement vers le haut ou vers le bas jusqu'à ce que la cuisinière soit d'aplomb.
- e.) Repousser la cuisinière pour la remettre en place.
- f.) Vérifier que le pied de nivellement arrière est engagé dans la bride antibasculement.

REMARQUE : La cuisinière doit être d'aplomb pour que les résultats de cuisson au four soient satisfaisants.

10. Selon votre installation, raccorder le conduit flexible d'entrée du ventilateur à la cuisinière au moyen d'une bride pour conduit.

Évacuation par le mur

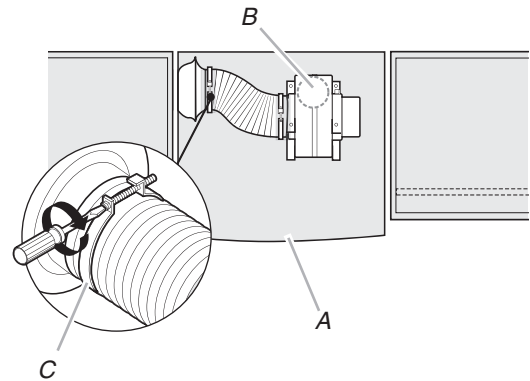
Vue de dessus



- A. Cuisinière
B. Sortie d'évacuation murale
C. Bride pour conduit

Évacuation par le plancher

Vue de dessus

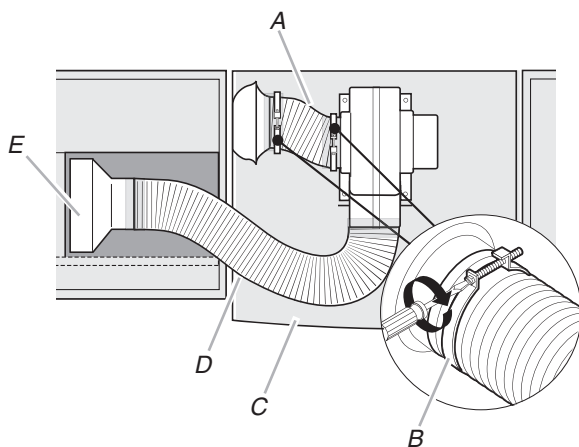


- A. Cuisinière
B. Sortie d'évacuation par le plancher
C. Bride pour conduit

Évacuation latérale (évacuation par la gauche illustrée)

Raccorder le conduit d'évacuation flexible à la cuisinière et le circuit d'évacuation à la sortie du ventilateur.

Vue de dessus

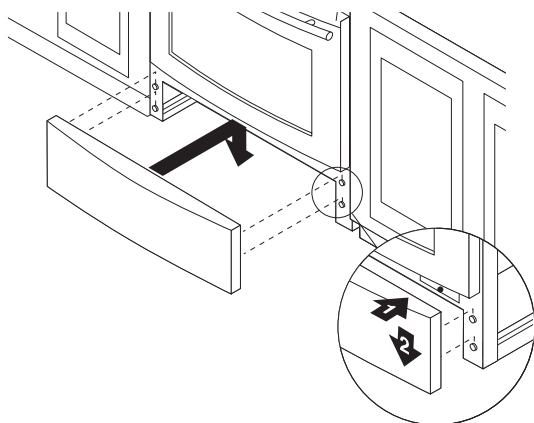


A. Conduit flexible vers la cuisinière
B. Bride pour conduit
C. Cuisinière

D. Circuit d'évacuation
E. Sortie d'évacuation latérale

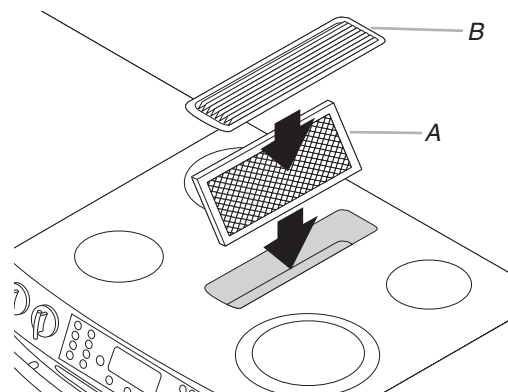
Vérifier que la bride anti-basculement est bien installée et engagée

1. Vérifier que la bride anti-basculement est bien installée et engagée.
 - Au moyen d'une torche électrique, inspecter le dessous de la cuisinière.
 - Inspecter la cuisinière pour vérifier que le pied arrière de la cuisinière se trouve dans la fente de la bride antibasculement.
2. Replacer le panneau d'accès.



Achever l'installation

1. Insérer le filtre d'évacuation par le bas et placer la plaque de décharge par-dessus l'ouverture.



A. Filtre
B. Grille

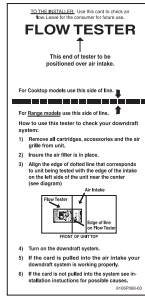
2. Reconnecter la source de courant électrique.
3. Vérifier que toutes les pièces sont maintenant installées. S'il reste une pièce, passer en revue les différentes étapes pour découvrir laquelle aurait été oubliée.
4. Vérifier la présence de tous les outils.
5. Éliminer/recycler les matériaux d'emballage.
6. Vérifier que la cuisinière est d'aplomb. Voir "Réglage de l'aplomb de la cuisinière".
7. Utiliser une solution d'eau tiède et de nettoyant ménager doux pour éliminer tout résidu de cire laissé par les matériaux d'emballage. Sécher parfaitement avec un linge doux. Pour plus d'informations, lire la section "Entretien de la cuisinière" dans le Guide d'utilisation et d'entretien.
8. Lire la section "Utilisation de la cuisinière" dans le Guide d'utilisation et d'entretien.
9. Mettre en marche les brûleurs de surface et le four. Pour des instructions spécifiques concernant l'utilisation de la cuisinière, consulter le Guide d'utilisation et d'entretien.

Si la cuisinière ne fonctionne pas, contrôler ce qui suit :

- Les fusibles du domicile sont intacts et serrés ; le disjoncteur n'est pas déclenché.
- La cuisinière est branchée sur une prise reliée à la terre.
- La prise de courant est correctement alimentée.
- Consulter la section "Dépannage" dans le Guide d'utilisation et d'entretien.

Après 5 minutes de fonctionnement de la cuisinière, vérifier la chaleur. Si la cuisinière est froide, l'éteindre et contacter un technicien qualifié.

- Utiliser la fiche de test du débit fournie avec votre cuisinière pour contrôler la circulation d'air (voir la fiche pour obtenir des instructions étape par étape).



Si la circulation d'air est insuffisante, consulter les sections "Exigences concernant l'évacuation" et "Méthodes d'évacuation".

Si vous avez besoin d'assistance ou de service :

Consulter la section "Assistance ou service" du Guide d'utilisation et d'entretien ou contacter le marchand chez qui vous avez acheté votre cuisinière.

Déplacement de la cuisinière

⚠ AVERTISSEMENT



Risque de basculement

Un enfant ou une personne adulte peut faire basculer la cuisinière, ce qui peut causer un décès.

Fixer la bride antibasculement au plancher ou au mur, conformément aux instructions d'installation.

Faire glisser de nouveau la cuisinière de façon à ce que le pied arrière de la cuisinière se trouve dans la fente de la bride antibasculement.

Réengager la bride antibasculement si la cuisinière a été déplacée.

Ne pas faire fonctionner la cuisinière si la bride antibasculement n'est pas installée et engagée.

Le non-respect de ces instructions peut causer un décès ou des brûlures graves aux enfants et aux adultes.

Lorsqu'on déplace la cuisinière, la faire glisser sur une planche de carton ou en matériau dur pour éviter d'endommager le revêtement du sol.

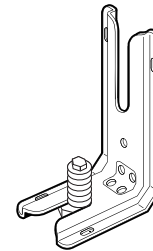
Si le déplacement de la cuisinière est nécessaire pour le nettoyage ou l'entretien :

Cuisinières alimentées par cordon d'alimentation :

- Déconnecter la cuisinière du circuit d'évacuation par le bas.
- Faire glisser la cuisinière vers l'avant.
- Débrancher le cordon d'alimentation électrique.
- Effectuer le nettoyage ou l'entretien.
- Brancher le cordon d'alimentation électrique dans une prise de courant reliée à la terre.

- Retirer le panneau d'accès et inspecter à l'aide d'une lampe de poche le dessous de la cuisinière pour vérifier que la bride antibasculement est bien installée.

- Vérifier que la bride antibasculement est bien fixée au plancher ou au mur.
- Faire glisser de nouveau la cuisinière de façon à ce que le pied arrière de la cuisinière se trouve sous la bride antibasculement.



- Vérifier que la cuisinière est d'aplomb.
- Reconnecter la cuisinière au circuit d'évacuation par le bas.

Pour les cuisinières avec câblage direct :

⚠ AVERTISSEMENT



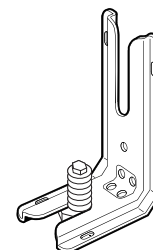
Risque de choc électrique

Déconnecter la source de courant électrique avant l'entretien.

Replacer pièces et panneaux avant de faire la remise en marche.

Le non-respect de ces instructions peut causer un décès ou un choc électrique.

- Déconnecter la source de courant électrique.
- Déconnecter la cuisinière du circuit d'évacuation par le bas.
- Faire glisser la cuisinière vers l'avant.
- Effectuer le nettoyage ou l'entretien.
- Retirer le panneau d'accès et inspecter à l'aide d'une lampe de poche le dessous de la cuisinière pour vérifier que la bride antibasculement est bien installée.
 - Vérifier que la bride antibasculement est bien fixée au plancher ou au mur.
 - Faire glisser de nouveau la cuisinière de façon à ce que le pied arrière de la cuisinière se trouve sous la bride antibasculement.



- Vérifier que la cuisinière est d'aplomb.
- Reconnecter la cuisinière au circuit d'évacuation par le bas.
- Reconnecter la source de courant électrique.

W10430955A

© 2011.
All rights reserved.
Tous droits réservés.

©Registered Trademark™Trademark of Jenn-Air, U.S.A. Used under license by Maytag Limited in Canada.
©Marque déposée™Marque de commerce de Jenn-Air, U.S.A. Emploi sous licence par Maytag Limited au Canada.

12/11
Printed in U.S.A.
Imprimé aux É.-U.

Free Manuals Download Website

<http://myh66.com>

<http://usermanuals.us>

<http://www.somanuals.com>

<http://www.4manuals.cc>

<http://www.manual-lib.com>

<http://www.404manual.com>

<http://www.luxmanual.com>

<http://aubethermostatmanual.com>

Golf course search by state

<http://golfingnear.com>

Email search by domain

<http://emailbydomain.com>

Auto manuals search

<http://auto.somanuals.com>

TV manuals search

<http://tv.somanuals.com>