



STEALTHBOX

SB-VW-NB/10W3

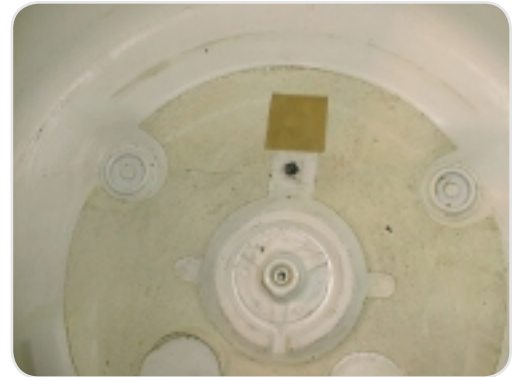
Fits 1998-00 Volkswagen Beetle

Installation of this Stealthbox requires professional installation skills and tools. Please read this installation guide thoroughly before beginning the project. It will guide you step by step through the installation. It is absolutely vital that the enclosure be properly mounted to the vehicle according to these instructions. Failure to mount the enclosure properly presents two problems: 1) The sub-bass performance will suffer due to the movement of the enclosure and 2) A loose enclosure presents a serious safety hazard in the event of a collision or sudden deceleration.

STEP 1: Remove the carpet from the floor of the trunk including the rear flap and hardware used to secure it (This hardware will be used later in the installation).

STEP 2: Remove the contents of the spare tire well.

STEP 3: Place the supplied wax square in the location shown in Picture #1.



Picture #1

STEP 4: Fully insert the supplied bolt into the insert on the bottom of the Stealthbox.



Picture #2

STEP 5: Place the Stealthbox in the trunk in its proper location as shown in Picture #2 and push down firmly to force the bolt head to make an imprint in the wax square.

STEP 6: Remove the Stealthbox and locate the impression in the wax square.

CAUTION: Check under the vehicle for any loose brake lines, fuel lines or other hazards before drilling. Always wear eye protection when drilling.

STEP 7: Drill a 3/8" hole in the location of the imprint in the wax square.



Picture #3

STEP 8: Place the spare tire on the Stealthbox so that the threaded stud goes through one of the lug bolt holes in the wheel and secure it with the provided 1/2" wing nut and 1/2" fender washer.



Picture #4

STEP 9: Place the Stealthbox into the spare tire well and bolt it into place, through the hole drilled in Step #7, as shown in Diagram #1.

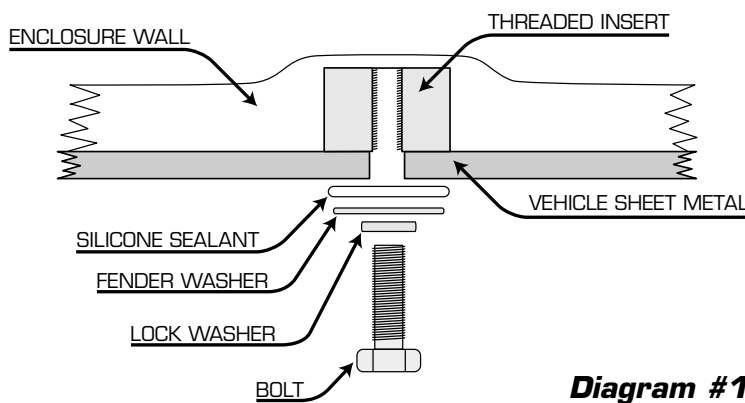


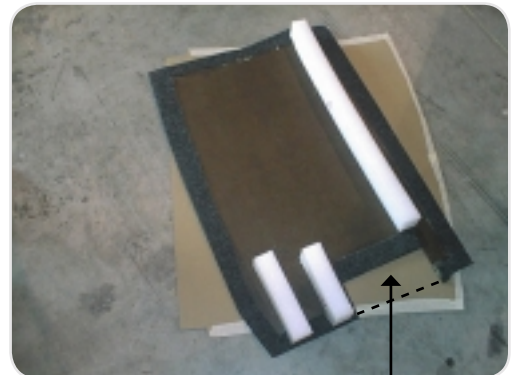
Diagram #1



Picture #5

STEP 10: Place supplied floor with foam blocks (shown in Picture #6) in the vehicle as the new floor. This new, raised floor allows clearance for the Stealthbox.

CAUTION: This new floor may need to be cut (as shown in Picture #6) to allow for a CD changer if one is present in the vehicle.



Picture #6

Example of CD changer area

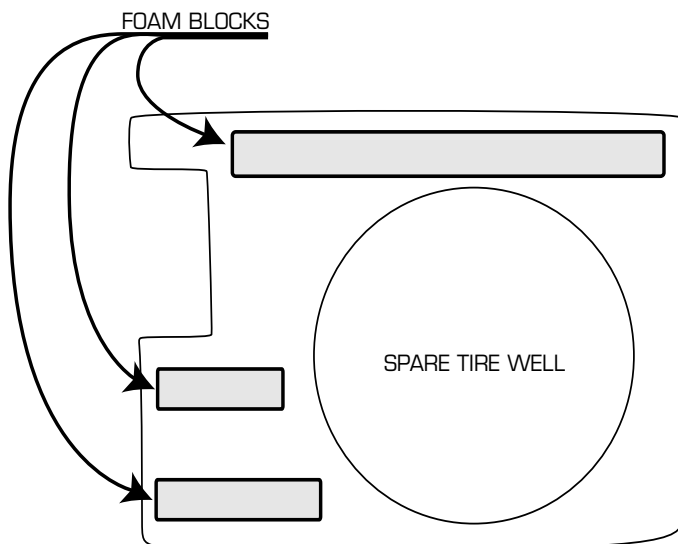


Diagram #2

STEP 11: Install the supplied rear trim panel with the factory connectors that were used to secure the rear flap of the factory floor/carpet that was removed in Step #1. All pieces are shown in Picture #7.



Picture #7



Picture #8

Picture #9 shows the completed installation.



Picture #9

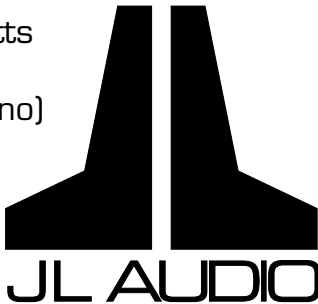
Specifications:

Enclosure Type: Acoustic Suspension (Sealed)

Driver Type: 10W3-D2

Cont. Power Handling: 250 Watts

Nominal Impedance: Dual 2Ω
(Wired to 4Ω Mono)



Supplied Materials:

1 - 3/8" x 1 1/2" Bolt

1 - 3/8" Fender Washer

1 - 3/8" Lock Washer

1 - Sheet Wax Square

1 - Floor w/Foam Stand-Offs

1 - Rear Trim Panel

1 - 1/2" Fender Washer (On Box)

1 - 1/2" Wing Nut (On Box)

10369 N. Commerce Parkway
Miramar, FL 33025
www.jlaudio.com

Stealthbox SB-VW-NB/10W3

Stealthbox 2000

Sheet SKU#011143 Revision 03/15/01

Free Manuals Download Website

<http://myh66.com>

<http://usermanuals.us>

<http://www.somanuals.com>

<http://www.4manuals.cc>

<http://www.manual-lib.com>

<http://www.404manual.com>

<http://www.luxmanual.com>

<http://aubethermostatmanual.com>

Golf course search by state

<http://golfingnear.com>

Email search by domain

<http://emailbydomain.com>

Auto manuals search

<http://auto.somanuals.com>

TV manuals search

<http://tv.somanuals.com>