

JENN-AIR® SIDE BY SIDE BUILT-IN REFRIGERATOR

REFRIGERADOR EMPOTRADO DE DOS PUERTAS JENN-AIR®

RÉFRIGÉRATEUR ENCASTRÉ CÔTE À CÔTE JENN-AIR®

INSTALLATION GUIDE

For questions about features, operation/performance, parts, accessories, or service, call:
1-800-JENNAIR (1-800-536-6247) or visit our website at www.jennair.com.
In Canada, call: **1-800-807-6777**, or visit our website at www.jennair.ca.

GUÍA DE INSTALACIÓN

Si tiene preguntas respecto a las características, funcionamiento, rendimiento, partes, accesorios o servicio técnico, llame al:
1-800-JENNAIR (1-800-536-6247) o visite nuestro sitio de internet: www.jennair.com.
En Canadá, llame al: **1-800-807-6777**, o visite nuestro sitio de internet: www.jennair.ca.

GUIDE D'INSTALLATION

Au Canada, pour assistance, installation ou service, composez le **1-800-807-6777** ou visitez notre site web à www.jennair.ca.

Table of Contents/Índice/Table des matières2

JENN-AIR®

W10379134A

TABLE OF CONTENTS

REFRIGERATOR SAFETY	3	INSTALLATION INSTRUCTIONS	16
MODELS	4	Unpack the Refrigerator	16
INSTALLATION REQUIREMENTS	6	Reduce Tipping Radius	16
Tools and Parts.....	6	Move the Refrigerator into House	17
Location Requirements.....	6	Install Anti-Tip Boards	17
Electrical Requirements.....	7	Connect the Water Supply	18
Water Supply Requirements.....	8	Plug in Refrigerator	19
Tipping Radius.....	8	Move Refrigerator to Final Location.....	19
Product Dimensions	9	Level and Align Refrigerator	19
Door Swing Dimensions	10	Install Overlay Series Custom Panels	20
Overlay Series Door Panel and Cabinetry Clearance	11	Adjust Doors	21
Overlay Series Custom Panels and Handle Kits	13	Install Side Panel	22
Euro-Style and Pro-Style® Custom Side Panels	14	Install Base Grille	22
Overlay Series Custom Side Panels.....	15	Complete Installation.....	23
		Water System Preparation	23

ÍNDICE

SEGURIDAD DEL REFRIGERADOR	24	INSTRUCCIONES DE INSTALACIÓN	37
MODELOS	25	Desempaque el refrigerador.....	37
REQUISITOS DE INSTALACIÓN	27	Cómo reducir el arco de vuelco	38
Piezas y herramientas.....	27	Cómo hacer entrar el refrigerador en la casa	38
Requisitos de ubicación	27	Cómo instalar los tableros antivuelco	38
Requisitos eléctricos.....	28	Conexión del suministro de agua.....	39
Requisitos del suministro de agua	29	Cómo enchufar el refrigerador	40
Arco de vuelco.....	29	Cómo mover el refrigerador a su ubicación final	41
Medidas del producto.....	30	Nivelación y alineamiento del refrigerador	41
Medidas de oscilación de las puertas	31	Cómo instalar los paneles a la medida para la serie Overlay	42
Espacio para el panel de la puerta y para los armarios de la serie Overlay	32	Ajuste las puertas	43
Paneles a la medida y juegos de manijas de la serie Overlay	34	Cómo instalar el panel lateral	44
Paneles laterales a la medida Euro-Style y Pro-Style®	36	Cómo instalar la rejilla de la base.....	44
Paneles laterales a la medida para la serie Overlay.....	36	Cómo terminar la instalación.....	45
		Preparación del sistema de agua.....	45

TABLE DES MATIÈRES

SÉCURITÉ DU RÉFRIGÉRATEUR	46	INSTRUCTIONS D'INSTALLATION	59
MODÈLES	47	Déballage du réfrigérateur	59
EXIGENCES D'INSTALLATION	49	Réduction du rayon de basculement	60
Outils et pièces	49	Faire entrer le réfrigérateur dans le domicile.....	60
Exigences d'emplacement	49	Installation de planches antibasculement.....	60
Spécifications électriques	50	Raccordement à l'alimentation en eau.....	61
Spécifications de l'alimentation en eau.....	51	Brancher le réfrigérateur	62
Rayon de basculement.....	51	Déplacement du réfrigérateur à l'emplacement final.....	63
Dimensions du produit.....	52	Réglage de l'aplomb et alignement du réfrigérateur.....	63
Dimensions pour le pivotement des portes	53	Installation des panneaux personnalisés de la Série Overlay.....	64
Série Overlay - Panneau de porte et placard - espace libre.....	54	Ajustement des portes.....	65
Panneaux personnalisés et poignées de la série Overlay.....	56	Installation du panneau latéral.....	66
Panneaux latéraux personnalisés des Style Euro, et Pro-Style®	58	Installation de la grille de la base	66
Panneaux latéraux personnalisés de la Série Overlay	58	Achever l'installation	67
		Préparation du système d'eau	67

REFRIGERATOR SAFETY

Your safety and the safety of others are very important.

We have provided many important safety messages in this manual and on your appliance. Always read and obey all safety messages.



This is the safety alert symbol.

This symbol alerts you to potential hazards that can kill or hurt you and others.

All safety messages will follow the safety alert symbol and either the word "DANGER" or "WARNING."

These words mean:

⚠ DANGER

You can be killed or seriously injured if you don't immediately follow instructions.

⚠ WARNING

You can be killed or seriously injured if you don't follow instructions.

All safety messages will tell you what the potential hazard is, tell you how to reduce the chance of injury, and tell you what can happen if the instructions are not followed.

⚠ WARNING



Tip Over Hazard

Refrigerator is top heavy and tips easily when not completely installed.

Keep doors taped closed until refrigerator is completely installed.

Use two or more people to move and install refrigerator.

Failure to do so can result in death or serious injury.

MODELS

Non-Dispensing Refrigerators



Euro-Style Design

Features stainless steel wrapped doors with towel bar handles.

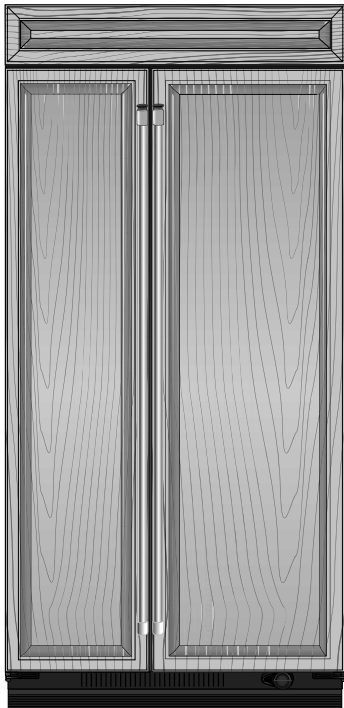
JS42SEFXDB JS48SEFXDB



Pro-Style® Design

Features stainless steel wrapped doors and Pro-Style® handles with diamond-etched grip.

JS42PPFXDB JS48PPFXDB



Overlay Design

Uses custom-made panels and custom hardware for a seamless appearance designed to blend with existing kitchen cabinetry.

JS42CXFXDB JS48CXFXDB

Dispensing Refrigerators



Euro-Style Design

Features stainless steel wrapped doors with towel bar handles.

JS42SEDUDB JS48SEDUDB



Pro-Style® Design

Features stainless steel wrapped doors and Pro-Style® handles with diamond-etched grip.

JS42PPDUB JS48PPDUB



Overlay Design

Uses custom-made panels and custom hardware for a seamless appearance designed to blend with existing kitchen cabinetry.

JS42CXDBDB JS42CXDUB
JS48CXDBDB JS48CXDUB

INSTALLATION REQUIREMENTS

Tools and Parts

IMPORTANT:

- Installer: Leave Installation Instructions with the homeowner.
- Homeowner: Keep Installation Instructions for future reference. Save these Installation Instructions for the local electrical inspector's use.

TOOLS NEEDED:

Gather the required tools and parts before starting installation. Read and follow the instructions provided with any tools listed here.

- Cordless drill
- Drill bits
- Two adjustable wrenches
- Phillips screwdriver
- Small level
- Appliance dolly
- Torx®† T27 screwdriver
- 1 $\frac{1}{32}$ " Nut driver
- $\frac{3}{8}$ " and $\frac{1}{2}$ " Open-end wrenches
- $\frac{5}{32}$ " Hex key
- $\frac{1}{4}$ " and $\frac{5}{16}$ " Socket drivers
- Tape measure
- Utility knife

PARTS NEEDED:

- Six #8 x 3" (7.6 cm) wood screws (longer screws may be needed)
- One or two 2" x 4" x 32" (5 cm x 10 cm x 81 cm) wood board(s)
- Overlay Series: Make custom panels, or consult a qualified cabinetmaker or carpenter to make the panels. See "Overlay Series Custom Panels" for more information.
Pro-Style® and Euro-Style Series are shipped complete.
- If you are connecting the water line directly to copper tubing and not to a shutoff valve, you need a ferrule, a union, and a $\frac{1}{4}$ " (6.35 mm) compression fitting.

Location Requirements

The refrigerator can be recessed in an opening between cabinets or installed at the end of a cabinet run using a side panel to enclose the refrigerator.

⚠ WARNING



Explosion Hazard

Keep flammable materials and vapors, such as gasoline, away from refrigerator.

Failure to do so can result in death, explosion, or fire.

IMPORTANT:

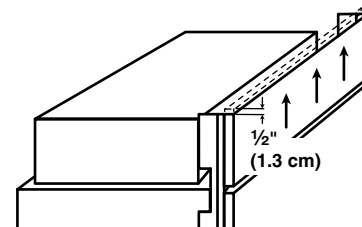
- Observe all governing codes and ordinances.
- It is recommended that you do not install the refrigerator near an oven, radiator, or other heat source.
- Do not install in a location where the temperature will fall below 55°F (13°C).
- Floor must support the refrigerator weight, more than 600 lbs (272 kg), door panels and contents of the refrigerator.
- Ceiling height must allow for side tipping radius. See "Tipping Radius."
- Location should permit door to open fully. See "Door Swing Dimensions."
- Location must permit top grille removal. See "Opening Dimensions."

Opening Dimensions

- To avoid tipping during use, the solid soffit must be within 1" (2.5 cm) maximum above the refrigerator. If the solid soffit is higher than 1" (2.5 cm) or one is not available, then the refrigerator must be braced.

If the anti-tip boards are needed, they must be attached to the rear wall studs 80" to 90" (203 cm to 229 cm) above the floor. See "Install Anti-Tip Boards" for more information.

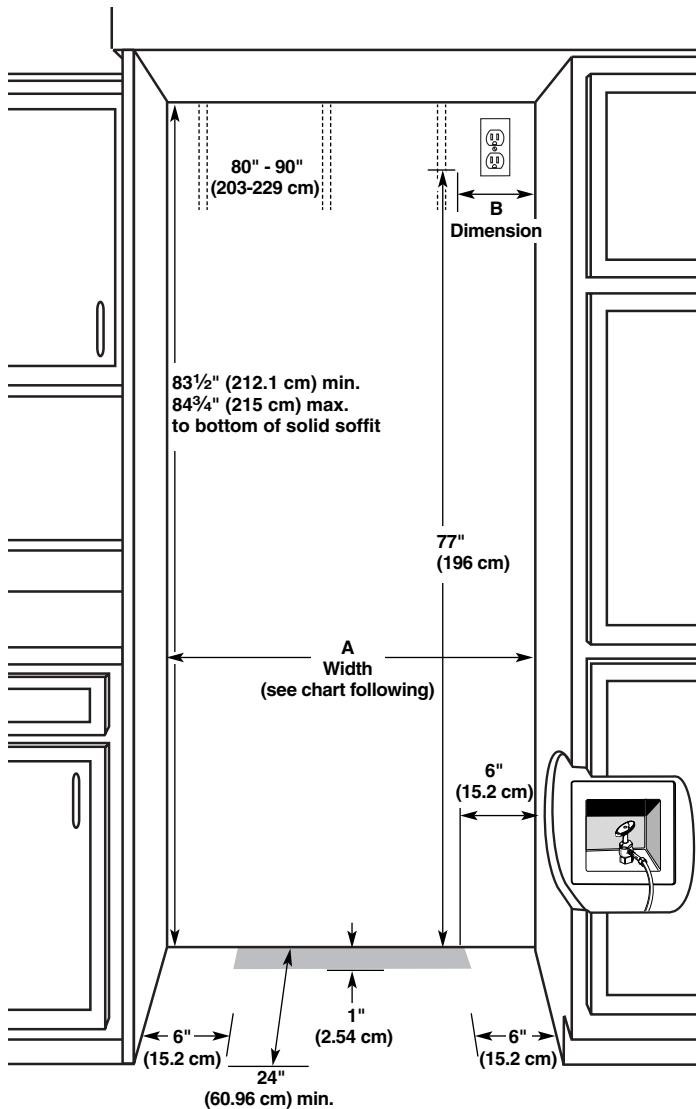
NOTE: A clearance of $\frac{1}{2}$ " (1.3 cm) must be maintained above the top grille in order for the top grille to be removed.



- A grounded 3 prong electrical outlet should be located within a specified number of inches from the right-hand side cabinets or end panel. See the chart following the graphic for the number of inches required for your model. For more information, see "Electrical Requirements."

†TORX is a registered trademark of Saturn Fasteners, Inc.

- The water shutoff should be located in the base cabinet on either side of the refrigerator or some other easily accessible area. If the water shutoff valve is not in the cabinets, the plumbing for the water line can come through the floor or the back wall. See "Water Supply Requirements" for more information.



Model	Width A (as shown above)	Dimension B (as shown above)
42	41½" (105.4 cm) to 41¾" (106.1 cm)	10" (25.4 cm)
48	47½" (120.7 cm) to 47¾" (121.3 cm)	16" (40.6 cm)

NOTE: Flooring under refrigerator must be at same level as the room. Face of cabinetry must be plumb.

Electrical Requirements

⚠ WARNING



Electrical Shock Hazard

Plug into a grounded 3 prong outlet.

Do not remove ground prong.

Do not use an adapter.

Do not use an extension cord.

Failure to follow these instructions can result in death, fire, or electrical shock.

Before you move your refrigerator into its final location, it is important to make sure you have the proper electrical connection.

Recommended Grounding Method

A 115 volt, 60 Hz., AC only, 15- or 20-amp fused, grounded electrical supply is required. It is recommended that a separate circuit serving only your refrigerator be provided. Use an outlet that cannot be turned off by a switch. Do not use an extension cord.

IMPORTANT: If this product is connected to a GFCI (Ground Fault Circuit Interrupter) protected outlet, nuisance tripping of the power supply may occur, resulting in loss of cooling. Food quality and flavor may be affected. If nuisance tripping has occurred, and if the condition of the food appears poor, dispose of it.

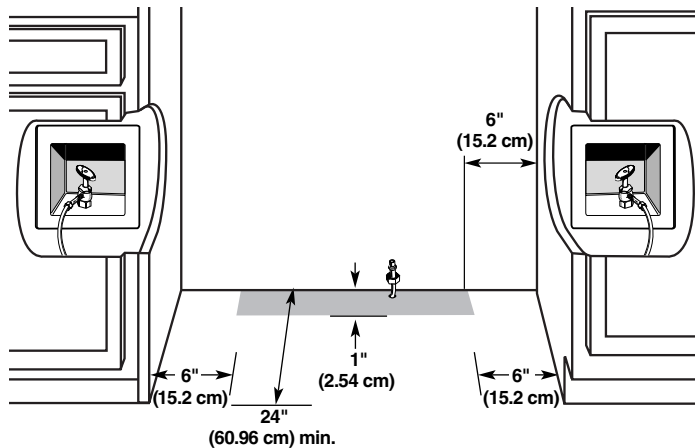
NOTE: Before performing any type of installation, cleaning, or removing a light bulb, remove the top grille and turn the master power switch to OFF or disconnect power at the circuit breaker box.

When you are finished, turn ON the master power switch or reconnect power at the circuit breaker box. Then reset the control to the desired setting.

Water Supply Requirements

- All installations must meet local plumbing code requirements.
- The water shutoff should be located in the base cabinet on either side of the refrigerator or some other easily accessible area. The right-hand side is recommended. The access hole through the cabinet must be within ½" (12.7 mm) of the rear wall.

NOTE: If the water shutoff valve is in the back wall behind the refrigerator, it must be at an angle so that the tube is not kinked when the refrigerator is pushed into its final location.



- If the water shutoff valve is not in the cabinets, the plumbing for the water line can come through the floor. A ½" (12.7 mm) hole for plumbing should be drilled at least 6" (15.2 cm) from the right or left hand side cabinet or panel. On the floor, the hole should be no more than 1" (2.54 cm) away from the back wall. See "Connect the Water Supply."
 - If additional tubing is needed, use copper tubing and check for leaks. Install the copper tubing only in areas where the household temperatures will remain above freezing.
 - Do not use a piercing-type or ⅜" (4.76 mm) saddle valve which reduces water flow and clogs more easily.
- NOTE:** Your refrigerator dealer has a kit available with a ¼" (6.35 mm) saddle-type shutoff valve, a union, and copper tubing. Before purchasing, make sure a saddle-type valve complies with your local plumbing codes.

Water Pressure

A cold water supply with water pressure between 30 and 120 psi (207 and 827 kPa) is required to operate the water dispenser and ice maker. If you have questions about your water pressure, call a licensed, qualified plumber.

Reverse Osmosis Water Supply

IMPORTANT: The pressure of the water supply coming out of a reverse osmosis system going to the water inlet valve of the refrigerator needs to be between 30 and 120 psi (207 and 827 kPa).

If a reverse osmosis water filtration system is connected to your cold water supply, the water pressure to the reverse osmosis system needs to be a minimum of 40 to 60 psi (276 to 414 kPa).

If the water pressure to the reverse osmosis system is less than 40 to 60 psi (276 to 414 kPa):

- Check to see whether the sediment filter in the reverse osmosis system is blocked. Replace the filter if necessary.
- Allow the storage tank on the reverse osmosis system to refill after heavy usage.
- If your refrigerator has a water filter cartridge, it may further reduce the water pressure when used in conjunction with a reverse osmosis system. Remove the water filter cartridge.

If you have questions about your water pressure, call a licensed, qualified plumber.

Tipping Radius

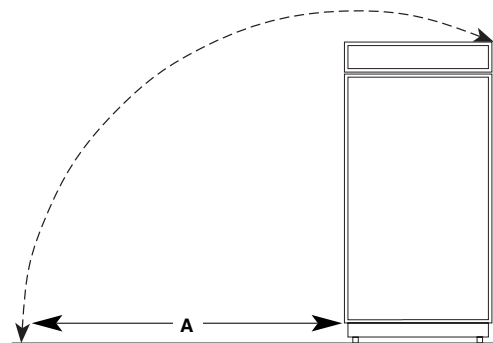
Be sure there is adequate ceiling height to stand the refrigerator upright when it is moved into place.

- The dolly wheel height must be added to the tipping radius when a dolly is used.
- If needed, the tipping radius can be reduced. See "Reduce Tipping Radius."

Side Tipping Radius

The side tipping radius varies depending upon the width of the model. Use the chart provided to determine the side tipping radius.

NOTE: Tip on side only.



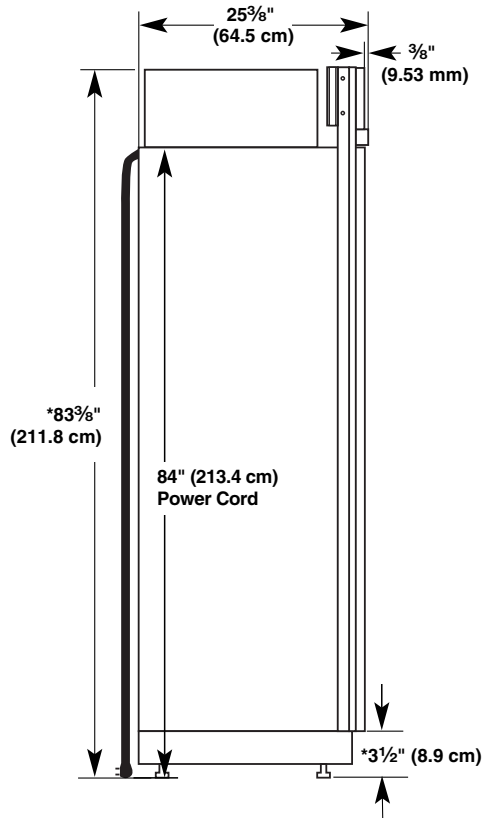
Model	Tipping Radius A
42	93" (236.2 cm)
48	96" (243.8 cm)

Product Dimensions

Side View

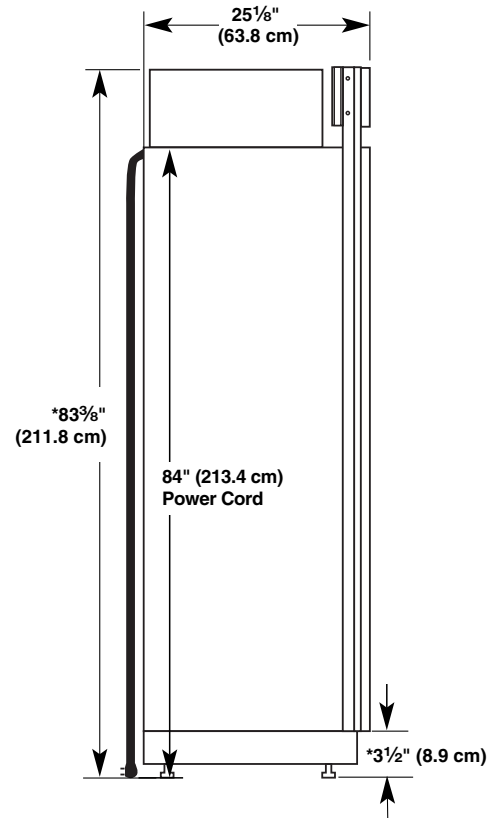
- The depth from the front of the top grille to the back of the refrigerator cabinet is 25⁵/₈" (64.5 cm) for Euro and Pro-Style®. The Overlay style depth is 25¹/₈" (63.8 cm) without custom panels.
- The power cord is 84" (213 cm) long.
- The water line attached to the back of the refrigerator is 5 ft (1.5 m) long.
- Height dimensions are shown with leveling legs extended 1/8" (3 mm) below the rollers.

Euro-Style and Pro-Style®



*When leveling legs are fully extended to 1¹/₄" (3.2 cm) below rollers, add 1¹/₈" (2.9 cm) to the height dimensions.

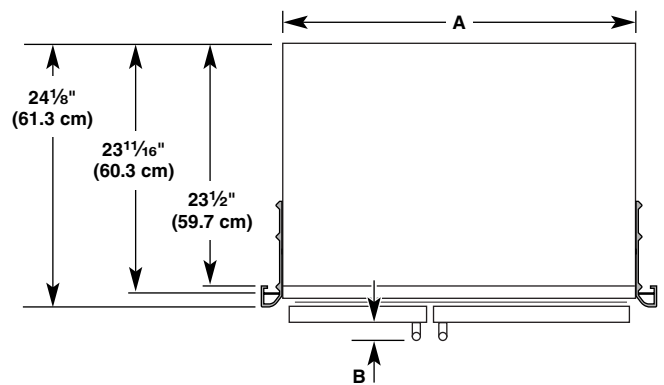
Overlay Style



*When leveling legs are fully extended to 1¹/₄" (3.2 cm) below rollers, add 1¹/₈" (2.9 cm) to the height dimensions.

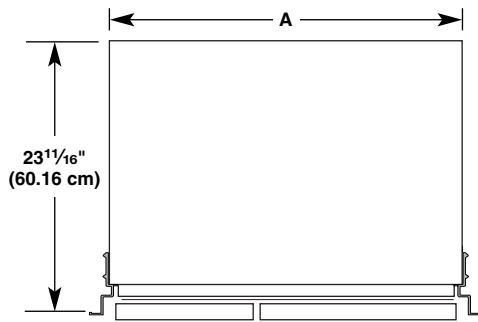
Top View

Euro-Style and Pro-Style®



Model	A	B
42 Euro-Style	41" (104.1 cm)	2 ¹ / ₈ " (5.3 cm)
48 Euro-Style	47" (119.4 cm)	2 ¹ / ₈ " (5.3 cm)
42 Pro-Style®	41" (104.1 cm)	2 ⁵ / ₈ " (6.67 cm)
48 Pro-Style®	47" (119.4 cm)	2 ⁵ / ₈ " (6.67 cm)

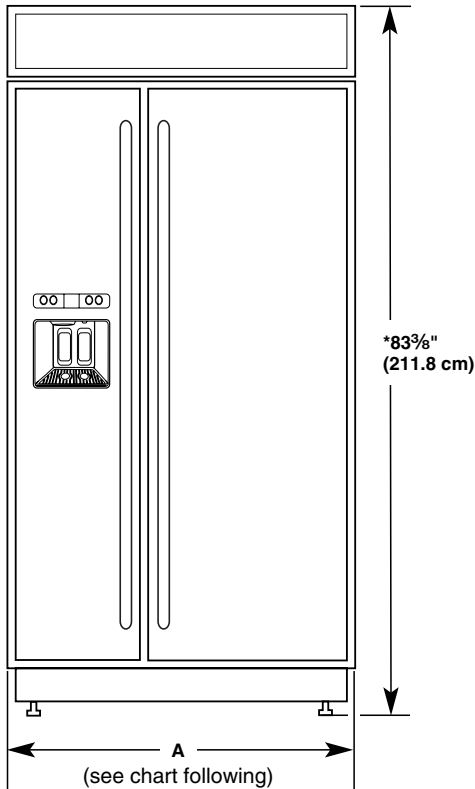
Overlay Style



Model	Width A
42	41" (104.1 cm)
48	47" (119.4 cm)

Front View

- Width dimensions were measured from trim edge to trim edge.
- Height dimensions are shown with leveling legs extended ¹/₈" (3 mm) below the rollers.



Model	Width A (Trim edge to trim edge)
42	42 ¹ / ₄ " (107.3 cm)
48	48 ¹ / ₄ " (122.6 cm)

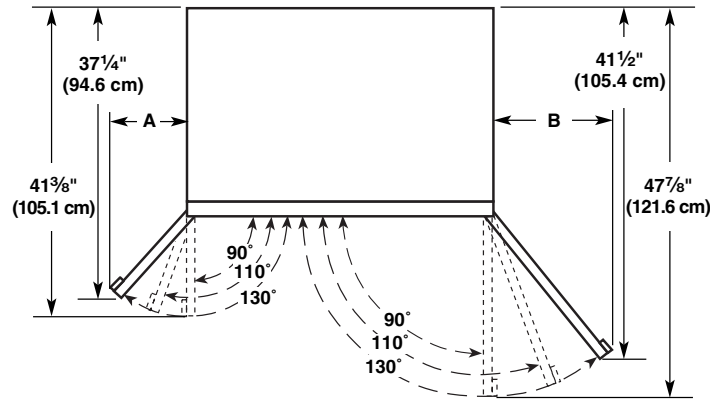
*When leveling legs are fully extended to ¹/₄" (3.2 cm) below rollers, add ¹/₈" (2.9 cm) to the height dimensions.

Door Swing Dimensions

The location must permit both doors to open to a minimum of 90°. Allow 4¹/₂" (11.4 cm) minimum space between the side of the refrigerator and a corner wall.

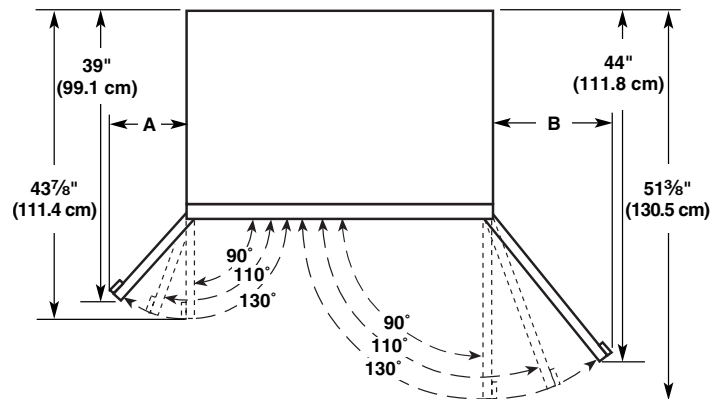
NOTE: More clearance may be required if you are using overlay panels, custom handles, or extended handles. To adjust the door swing, see "Adjust Doors."

42" (106.7 cm) Models



Model	A	B
Pro-Style®	10 ³ / ₄ " (27.11 cm)	14 ¹ / ₄ " (36.11 cm)
Euro	10 ¹ / ₄ " (25.87 cm)	13 ³ / ₄ " (34.88 cm)

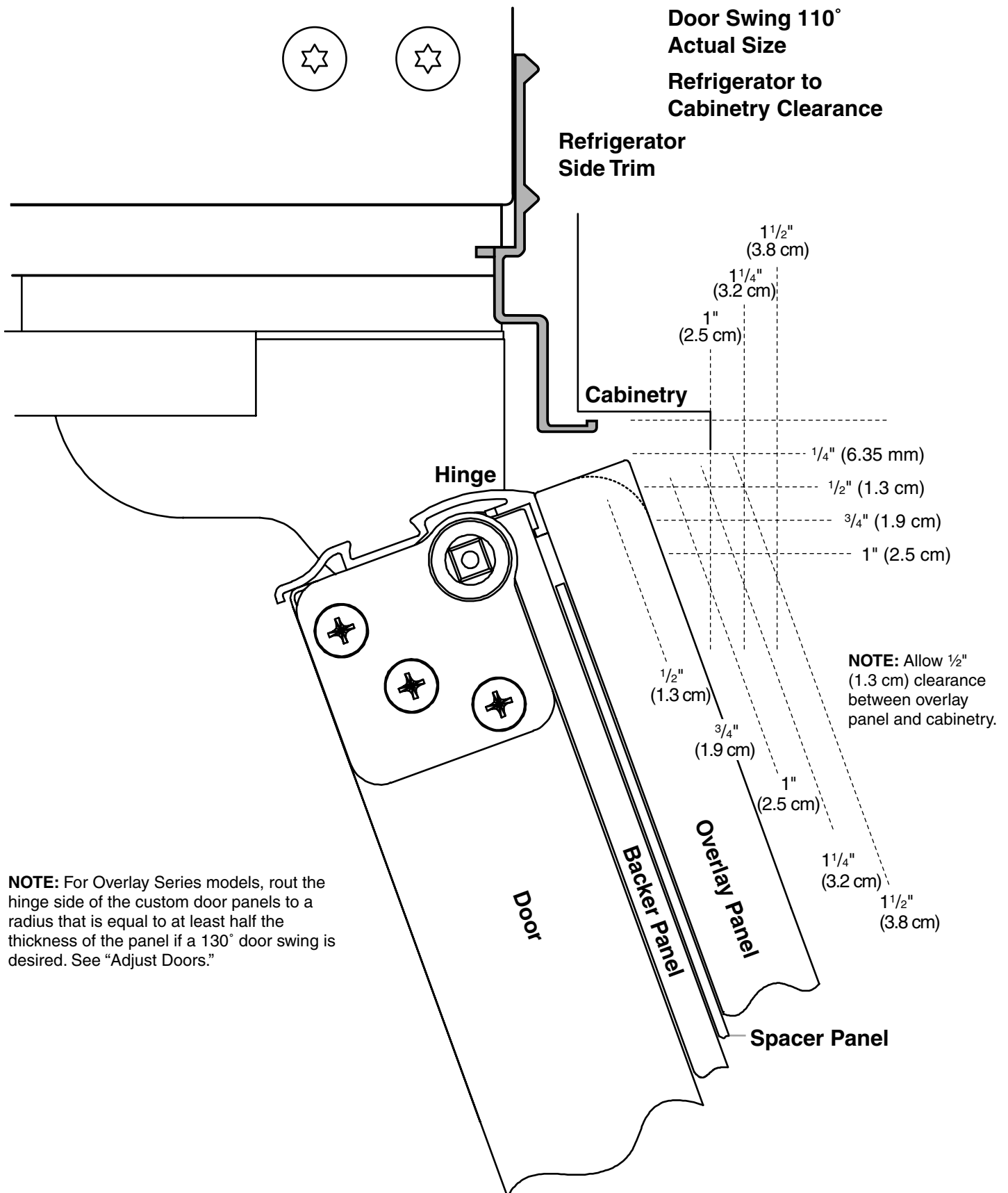
48" (121.9 cm) Models



Model	A	B
Pro-Style®	12 ³ / ₁₆ " (30.84 cm)	16 ¹ / ₄ " (41.16 cm)
Euro	11 ⁵ / ₈ " (29.43 cm)	15 ¹¹ / ₁₆ " (39.75 cm)

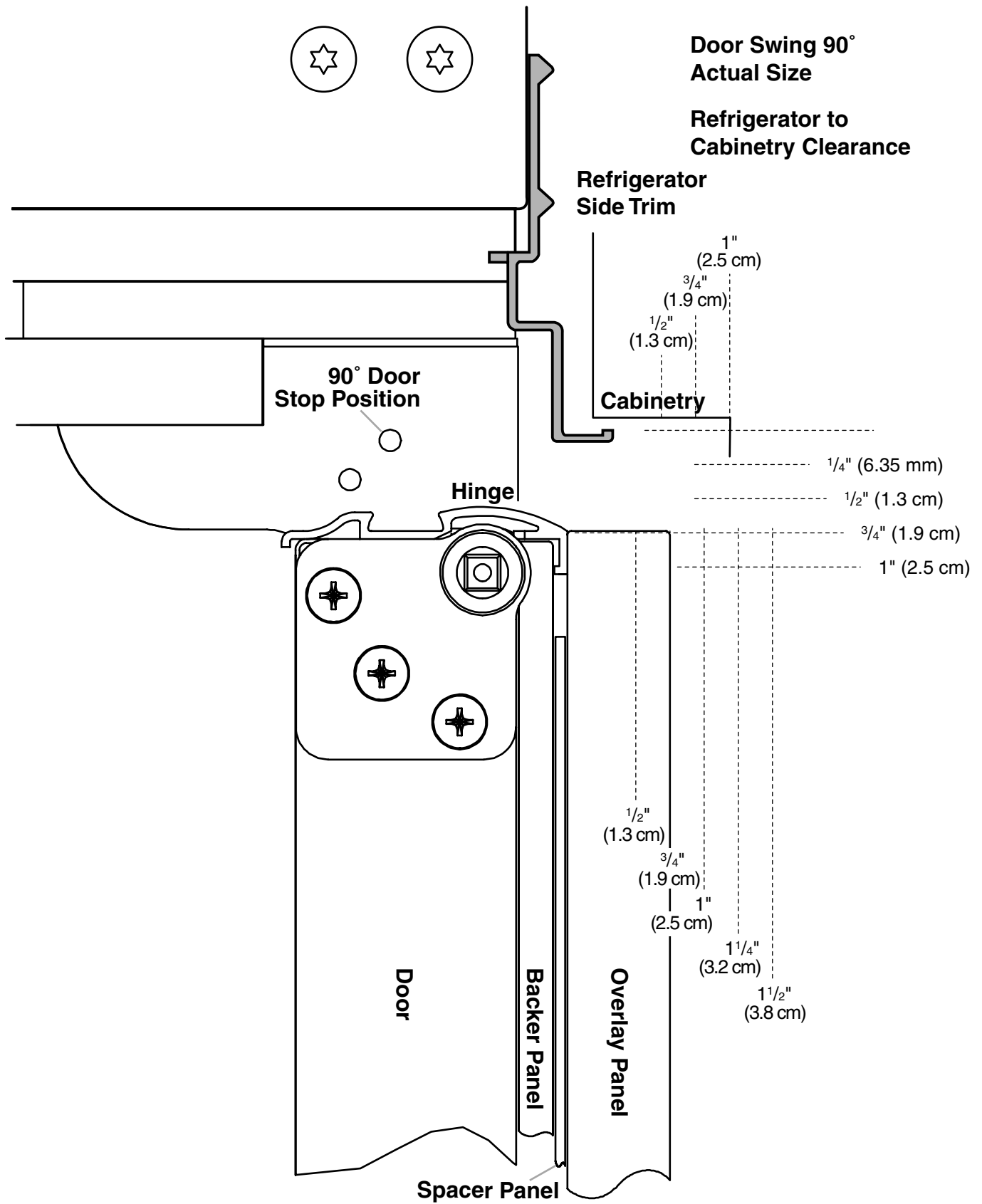
Overlay Series Door Panel and Cabinetry Clearance

The custom door panels and adjacent cabinetry must be designed so that there is sufficient clearance for the doors to swing open. If the refrigerator is to be installed close to the wall, see "Door Swing 90°" on next page.



NOTE: For Overlay Series models, rout the hinge side of the custom door panels to a radius that is equal to at least half the thickness of the panel if a 130° door swing is desired. See "Adjust Doors."

When the doors are closed the refrigerator will extend beyond the face of the adjacent cabinetry to some degree.



Allow a minimum of 4 1/2" (11.4 cm) of space between the side of the refrigerator and a corner wall. More clearance may be needed if thicker custom panels or custom handles are used. Do not overlook baseboards.

Overlay Series Custom Panels and Handle Kits

Custom overlay panels allow you to blend the exterior of your refrigerator into the overall kitchen décor, and to use custom handles for additional design flexibility.

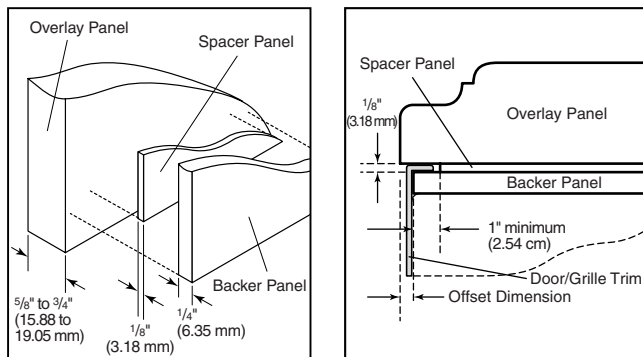
The custom panels must have backer panels attached in order to mount them to the refrigerator. It is most common to work with three panels, as shown in the following graphic: a decorative overlay panel, a 1/8" (3.18 mm) spacer panel or spacer strips and a 1/4" (6.35 mm) backer panel.

In some cases, your cabinet manufacturer may choose to work with one panel routed for the different dimensions. Follow these panel dimension and placement instructions to be sure that the custom overlay panels will fit properly.

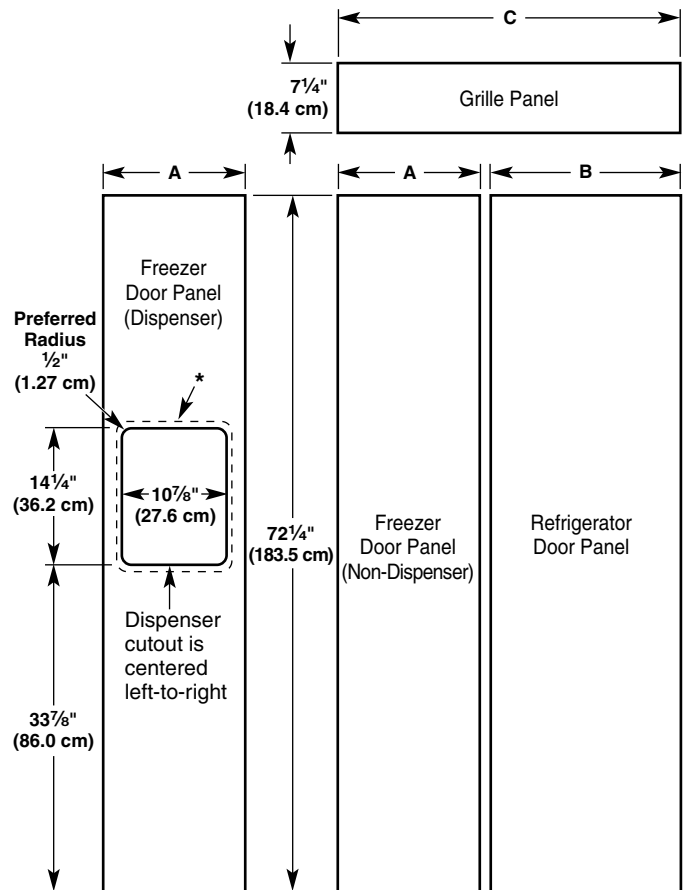
IMPORTANT:

- The weight of the refrigerator door overlay panel cannot exceed 50 lbs (23 kg).
- The weight of the freezer door overlay panel cannot exceed 40 lbs (18.1 kg).
- The weight of the top grille overlay panel cannot exceed 10 lbs (4.5 kg).

To minimize panel weight, you may use 2" (5.08 cm) spacer strips around the perimeter in place of full-sheet solid spacer panels. The spacer strips must be set in at least 1" (2.54 cm) from the top, bottom and sides edges of the backer panel. If you use spacer strips, it is also recommended that you use two 2" (5.08 cm) strips horizontally centered for added support.



Decorative Overlay Panel



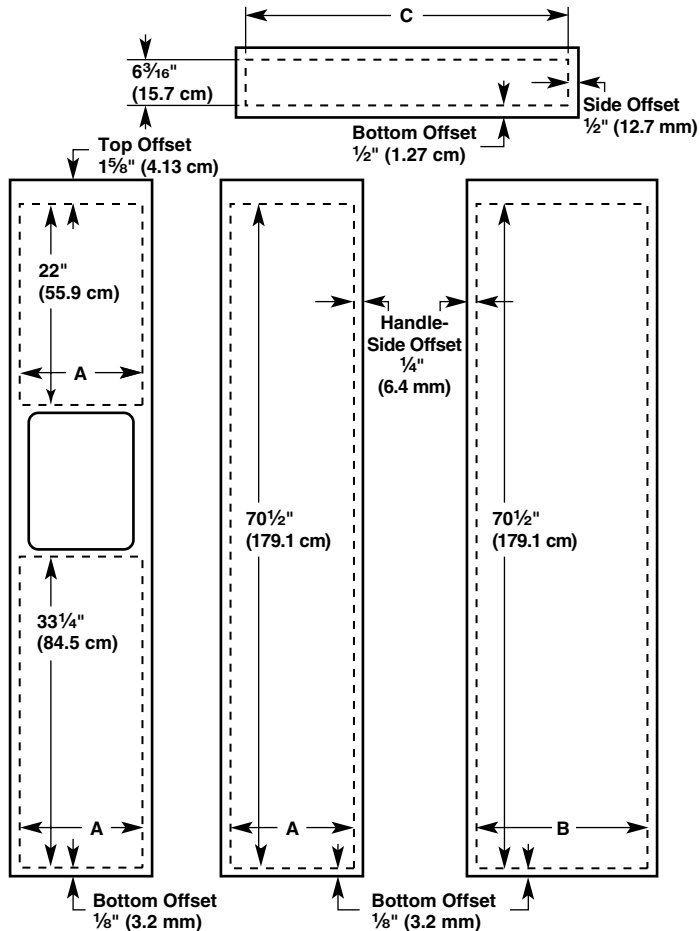
Model	A	B	C
42	17 1/4" (43.82 cm)	23 1/4" (59.06 cm)	40 3/4" (103.51 cm)
48	19 3/4" (50.17 cm)	26 3/4" (67.95 cm)	46 3/4" (118.75 cm)

*Represents placement of dispenser overlay.

Backer Panels

NOTES:

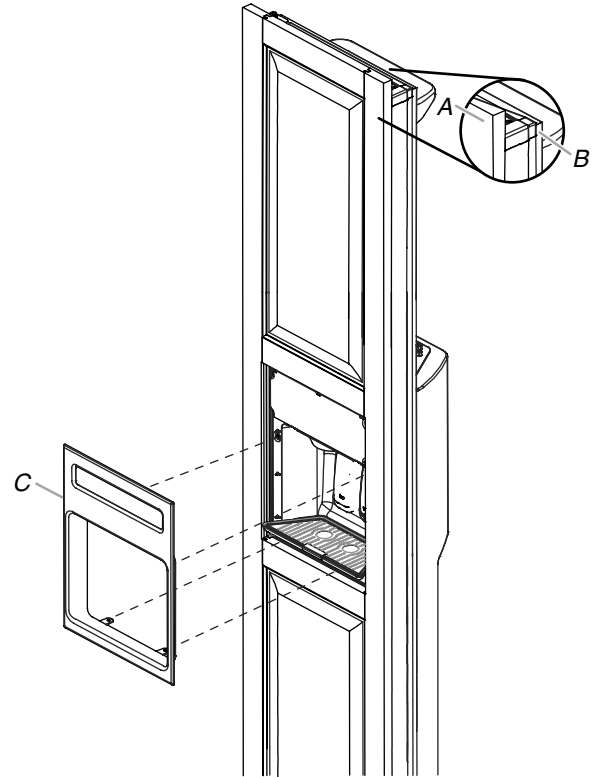
- Dashed lines represent backer panel placement.
- Illustration shows backer panels placed on decorative overlays.



Model	A	B	C
42	$16\frac{3}{4}$ " (42.55 cm)	$22\frac{3}{4}$ " (57.79 cm)	$39\frac{3}{4}$ " (100.97 cm)
48	$19\frac{1}{4}$ " (48.90 cm)	$26\frac{1}{4}$ " (66.68 cm)	$45\frac{3}{4}$ " (116.21 cm)

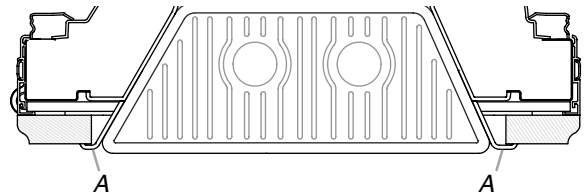
Dispenser Frame (dispenser models only)

The dispenser frame attaches to the panel with 4 screws.



A. Decorative panel
B. Refrigerator door
C. Dispenser frame

The dispenser frame overlaps the dispenser cutout by $\frac{5}{16}$ " (0.78 cm) on each side and $\frac{1}{2}$ " (1.27 cm) on the top and bottom.



A. $\frac{1}{2}$ " (1.27 cm) Overlap

Euro-Style and Pro-Style® Custom Side Panels

Custom side panels may be needed when not enough space is available to have cabinets on both sides of the refrigerator or when the refrigerator is placed at the end of a cabinet run. You may choose an Inset, Flush, or Recessed Inset panel installation.

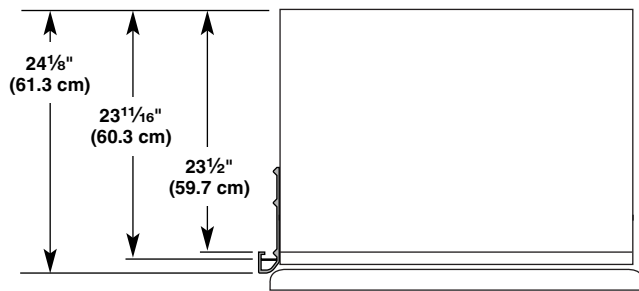
Refrigerator and Side Trim Dimensions

The width and height of a side panel are determined by the type of installation you are planning.

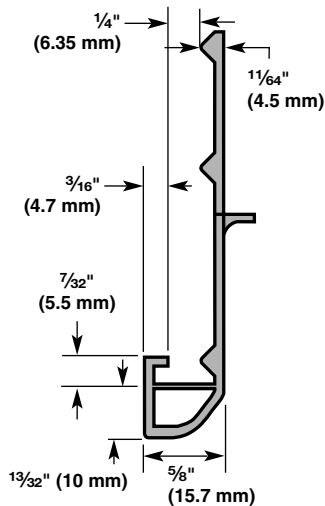
NOTES:

- The dimensions shown are actual product dimensions and may not reflect the needed panel installation dimensions.
- The side panel should be a minimum of $\frac{1}{2}$ " (1.27 cm) thick to avoid warping.
- If the opening depth is 25" (63.5 cm) or more, you may want to install a support board on rear wall.

Refrigerator

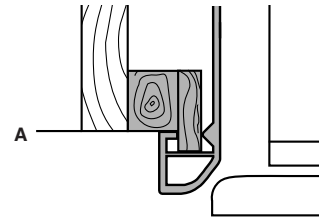


Side Trim



Recessed Inset Installation Dimensions

1. Measure the distance from point A (as shown) to the back wall.
2. Route the front edge of the support board or attach a 1/4" (6.35 mm) board to hold the panel in the cabinet side trim.



Overlay Series Custom Side Panels

Custom side panels may be needed when not enough space is available to have cabinets on both sides of the refrigerator or when the refrigerator is placed at the end of a cabinet run. You may choose an Inset or Recessed Inset panel installation.

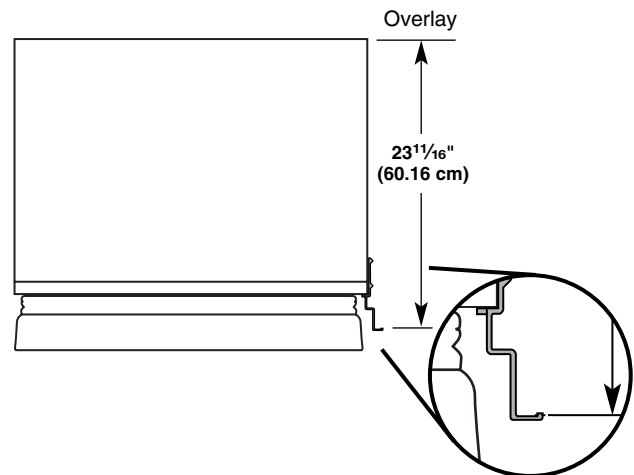
Refrigerator and Side Trim Dimensions

The width and height of a side panel are determined by the type of installation you are planning.

NOTES:

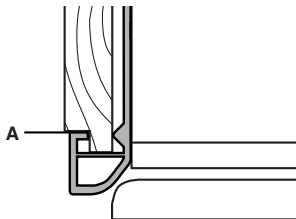
- The dimensions shown are actual product dimensions and may not reflect the needed installation dimensions.
- The side panel should be a minimum of 1/2" (1.27 cm) thick to avoid warping.
- If the opening depth is 25" (63.5 cm) or more, you may want to install a support board on rear wall.

Refrigerator



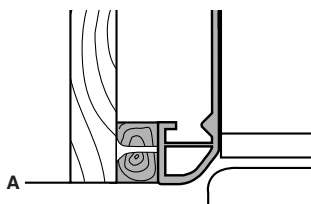
Inset Installation Dimensions

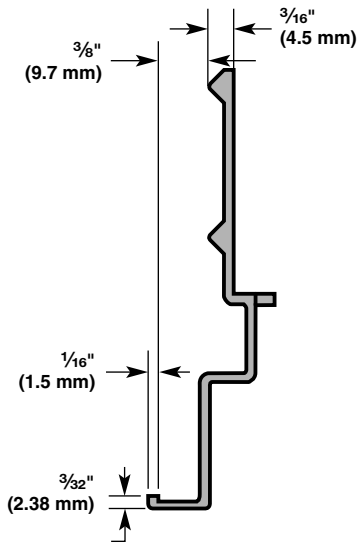
1. Measure the distance from point A (as shown) to the back wall. Add 7/32" (5.6 mm) to this measurement to allow the side panel to fit into the trim.
2. If the panel is more than 1/4" (6.35 mm) thick, route the front edge to allow the side panel to fit into the trim.



Flush Installation Dimensions

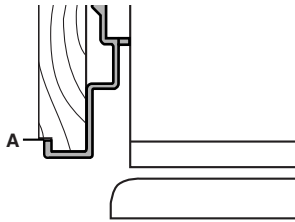
1. Measure the distance from point A (as shown) to the back wall.
2. Attach the support board with a screw or adhesive that is compatible with aluminum and wood.





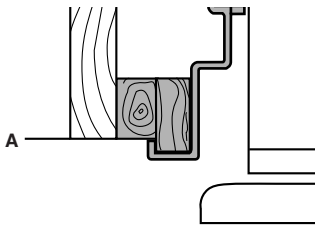
Inset Installation Dimensions

1. Measure the distance from point A (as shown) to the back wall. Add $\frac{1}{32}$ " (0.8 mm) to this measurement to allow the side panel to fit into the trim.
2. If the panel is more than $\frac{3}{8}$ " (9.5 mm) thick, route the front edge to allow the side panel to fit into the trim.



Recessed Inset Installation Dimensions

1. Measure the distance from point A (as shown) to back wall.
2. Route the front edge of the support board or attach a $\frac{3}{8}$ " (9.5 mm) board to hold the panel in the cabinet side trim.



INSTALLATION INSTRUCTIONS

Unpack the Refrigerator

! WARNING



Tip Over Hazard

Refrigerator is top heavy and tips easily when not completely installed.

Keep doors taped closed until refrigerator is completely installed.

Use two or more people to move and install refrigerator.

Failure to do so can result in death or serious injury.

IMPORTANT:

- Do not remove the film covering until the refrigerator is in its operating location.
 - All four leveling legs must contact the floor to support and stabilize the full weight of the refrigerator.
 - Keep the cardboard shipping piece or plywood under the refrigerator until it is installed in the operating location.
1. Remove and save the literature package bag taped to the side of the refrigerator and the parts bag behind the grille. Remove the four brackets (two on each side) that attach the shipping base to the refrigerator bottom.
NOTE: Do not remove tape and door bracing until the refrigerator is in its final location.
 2. If necessary, reduce the tipping radius. See "Tipping Radius" for ceiling height requirements or "Reduce Tipping Radius" for step-by-step instructions. If you do not need to reduce the tipping radius, proceed to "Move the Refrigerator into House."

**Reduce Tipping Radius
(if required)**

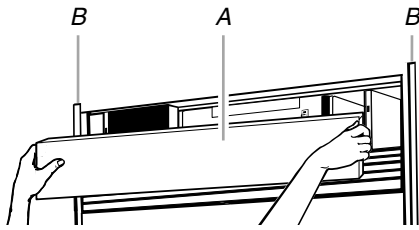
Before bringing the refrigerator into the home, be sure there is adequate ceiling height to stand the refrigerator upright. See "Tipping Radius" in the "Installation Requirements" section for more information.

If you do not have adequate ceiling height to stand the refrigerator upright, the tipping radius can be reduced by removing the top grille and side trims (see the following chart).

Model	Reduced Tipping Radius
42	88½" (224.8 cm)
48	89¼" (226.7 cm)

1. Grasp both ends of the top grille.

2. Push the top grille straight up; then pull straight out. Lay the grille on a soft surface.



A. Top grille
B. Cabinet side trim

3. Remove the six screws attaching each cabinet side trim to the refrigerator and remove the side trims.

Move the Refrigerator into House

! WARNING



Tip Over Hazard

Refrigerator is top heavy and tips easily when not completely installed.

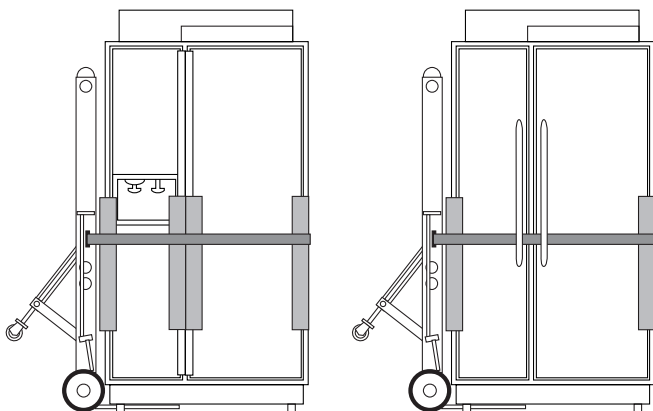
Keep doors taped closed until refrigerator is completely installed.

Use two or more people to move and install refrigerator.

Failure to do so can result in death or serious injury.

1. Place an appliance dolly under the left side of the refrigerator as shown. Place the corner posts from the packing materials over the trims and handles as appropriate to avoid damage. Slowly tighten the strap.

NOTE: Pass the dolly strap under the handles for the Architect® Series.



2. Place pieces of the shipping carton on the floor when rolling the dolly and refrigerator into the house. Move the refrigerator close to the built-in opening.
3. Place top of cardboard carton or plywood under refrigerator.
4. Stand the refrigerator up. First, place the left bottom edge of the refrigerator on the floor, stand the refrigerator upright and then lower the right-hand side of the refrigerator to the floor.
5. Reassemble the trim and top grille after the dolly has been removed from the refrigerator.

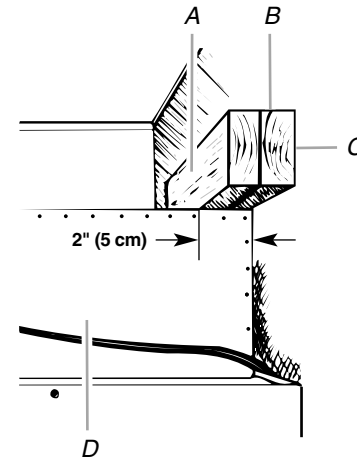
Install Anti-Tip Boards

IMPORTANT:

- To avoid tipping during use, the solid soffit must be within 1" (2.5 cm) maximum above the refrigerator. If the solid soffit is higher than 1" (2.5 cm) or one is not available, then the refrigerator must be braced.
- It is recommended that board(s) be installed before the refrigerator is installed.
- Board(s) must be long enough to fully cover the width of the compressor cover.
- Locate the board(s) so the bottom surface(s) of the board(s) is(are) 84" (213 cm) from the floor.
- During installation, raise the refrigerator up so there is 1/4" (6.35 mm) maximum between the top of the refrigerator and the bottom of the anti-tip board(s). Do not crush the compressor cover when raising the rear leveling legs.

To Install Anti-tip Boards

1. Mark the stud locations on rear wall 80" to 90" (203 cm to 229 cm) above floor.
2. Securely attach one or two 2" x 4" x 32" (5 cm x 10 cm x 81 cm) boards to wall studs behind refrigerator. Use six #8 x 3" (7.6 cm) (or longer) wood screws. The wood screws must be screwed into the studs at least 1 1/2" (3.8 cm). The board(s) must overlap the compressor cover.



A. Center board 1/4" (6.35 mm) max. above refrigerator
B. Two 2" x 4" x 32" (5 cm x 10 cm x 81 cm) boards
C. Attach to studs with six #8 x 3" (7.6 cm) screws
D. Compressor cover

Connect the Water Supply

Read all directions before you begin.

IMPORTANT: If you turn the refrigerator on before the water line is connected, turn the ice maker OFF.

Connect to Water Line

Parts Needed:

- Minimum 7 ft (2.13 m) flexible, codes approved water supply line

Style 1 - Shutoff Valve Connection

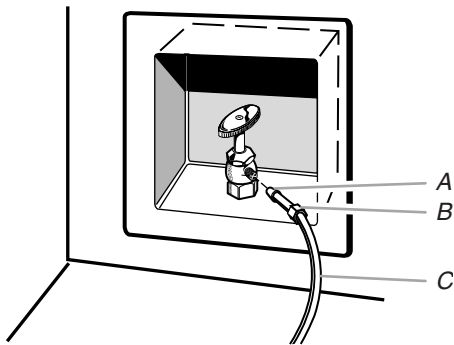
NOTE: If your water line connection does not look like Style 1, see "Style 2 - Copper Line Connection."

1. Unplug refrigerator or disconnect power supply.

IMPORTANT: Before attaching the tubing to shutoff valve, flush the main water supply line to remove particles and air in the water line. Allow enough flow so that water becomes clear. Flushing the water line may help avoid filters and/or water valves from becoming clogged.

2. Connect the flexible, codes approved water supply line to the water shutoff valve by threading the provided nut onto the shutoff valve as shown.

NOTE: The shutoff valve shown is in the side cabinet as recommended.



A. Bulb
B. Nut
C. Water tubing

3. Place the end of the tubing into a bucket, and turn shutoff valve ON.
4. Check for leaks. Tighten any nuts or connections (including connections at the valve) that leak.

Style 2 - Copper Line Connection

NOTE: If there is a water supply line that meets the specifications in "Water Supply Requirements," proceed to "Connecting to Refrigerator." If not, use the following instructions to connect to the household cold water supply.

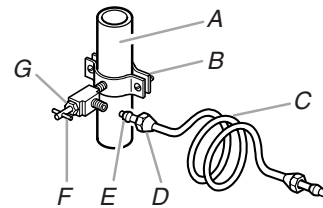
1. Unplug refrigerator or disconnect power.
2. Turn OFF main water supply. Turn ON nearest faucet long enough to clear line of water.
3. Locate a $\frac{1}{2}$ " to $1\frac{1}{4}$ " (1.25 cm to 3.18 cm) vertical cold water pipe near the refrigerator.

IMPORTANT:

- Make sure it is a cold water pipe.
- Horizontal pipe will work, but drill on the top side of the pipe, not the bottom. This will help keep water away from the drill and keep normal sediment from collecting in the valve.

4. Determine the length of copper tubing you need. Measure from the connection on the lower left rear of refrigerator to the water pipe. Add 7 ft (2.1 m) to allow for cleaning. Use $\frac{1}{4}$ " (6.35 mm) O.D. (outside diameter) copper tubing. Be sure both ends of copper tubing are cut square.

5. Using a cordless drill, drill a $\frac{1}{4}$ " (6.35 mm) hole in the cold water pipe you have selected.



A. Cold water pipe
B. Pipe clamp
C. Copper tubing
D. Compression nut
E. Compression sleeve
F. Shutoff valve
G. Packing nut

6. Fasten the shutoff valve to the cold water pipe with the pipe clamp. Be sure the outlet end is solidly in the $\frac{1}{4}$ " (6.35 mm) drilled hole in the water pipe and that the washer is under the pipe clamp. Tighten the packing nut. Tighten the pipe clamp screws slowly and evenly so washer makes a watertight seal. Do not overtighten.

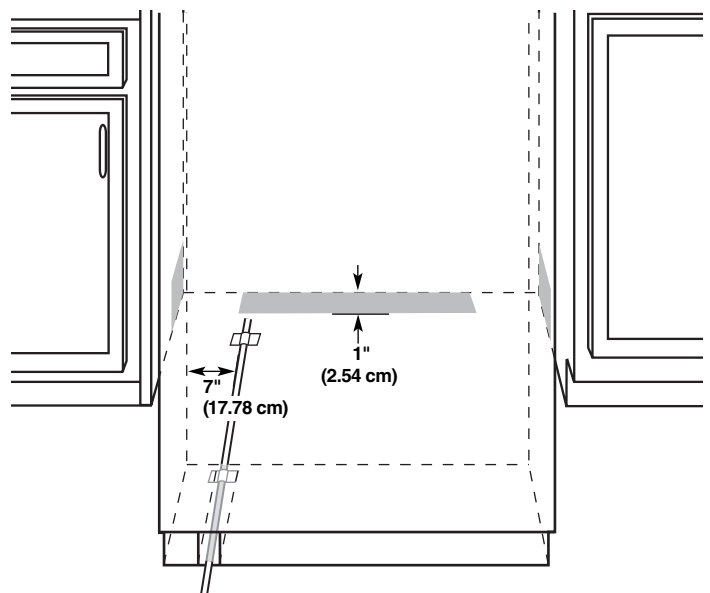
IMPORTANT: Before attaching the tubing to shutoff valve, flush the main water supply line to remove particles and air in the water line. Allow enough flow so that water becomes clear. Flushing the water line may help avoid filters and/or water valves from becoming clogged.

7. Slip the compression sleeve and compression nut on the copper tubing as shown. Insert the end of the tubing into the outlet end squarely as far as it will go. Screw compression nut onto outlet end with adjustable wrench. Do not overtighten the clamp or the sleeve. This will crush the copper tubing.
8. Turn off the shutoff valve on the water pipe. Coil the copper tubing.
9. Connect the flexible, codes approved water supply line to the water shutoff valve by threading the provided nut onto the shutoff valve.
10. Place the end of the tubing into a bucket, and turn shutoff valve ON.
11. Check for leaks around the saddle valve. Tighten any nuts or connections (including connections at the valve) that leak.

Connect to Refrigerator

Parts Supplied:

- $\frac{1}{4}$ " to $\frac{1}{4}$ " (6.35 mm to 6.35 mm) male-to-male coupling



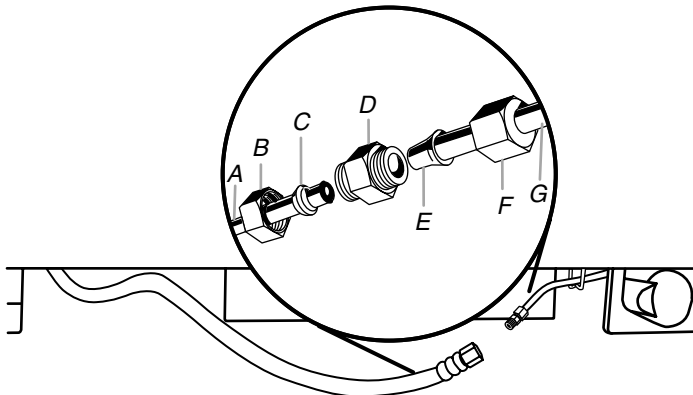
NOTE: The flexible, codes approved water supply line can connect to the supply valve through the floor or through the side cabinets, as indicated by the gray boxes above.

1. Unplug the refrigerator or disconnect power.
2. Connect the 7 ft (2.13 m) flexible codes approved water tube to the water supply valve.
3. Flush the main water supply line to remove particles and air in the water line. Allow enough flow so that water becomes clear.
4. Tape the 7 ft (2.13 m) flexible codes approved water supply line to the floor, 7" (17.78 cm) from the left side of the refrigerator. Tape along the length of the tubing, which will allow it to pass beneath the refrigerator without interference.

NOTE: Allow a minimum of 26" (66.04 cm) of flexible codes approved water supply line to be loose at the front of the refrigerator for connecting to the refrigerator.

5. Connect the 7 ft (2.13 m) flexible codes approved water supply line to the refrigerator.

NOTE: If the main water shutoff valve is behind the refrigerator, a secondary water shutoff valve may be installed in line with the water supply line at the front of the product.



- | | |
|-------------------------|------------------------------|
| A. Household water line | E. Bulb |
| B. Nut (purchased) | F. Nut |
| C. Ferrule (purchased) | G. Refrigerator water tubing |
| D. Coupling | |

6. Turn on the water supply valve and check all connections for leaks.

Plug in Refrigerator

⚠ WARNING



Electrical Shock Hazard

Plug into a grounded 3 prong outlet.

Do not remove ground prong.

Do not use an adapter.

Do not use an extension cord.

Failure to follow these instructions can result in death, fire, or electrical shock.

1. Set control switch at top of cabinet to the OFF position.
2. Plug into a grounded 3 prong outlet.

Move Refrigerator to Final Location

⚠ WARNING



Tip Over Hazard

Refrigerator is top heavy and tips easily when not completely installed.

Keep doors taped closed until refrigerator is completely installed.

Use two or more people to move and install refrigerator.

Failure to do so can result in death or serious injury.

IMPORTANT: To avoid floor damage, make sure levelers are raised (not touching floor) and refrigerator is on rollers before moving.

1. Place top of cardboard carton or plywood under refrigerator. Remove dolly.
2. Do not remove film or cover.
3. Move the refrigerator straight back and evenly into the opening. Be sure that the refrigerator side trims are not interfering with the door opening. Also, be sure that the water tubing is not kinked and the power supply cord is on top of the refrigerator.

Level and Align Refrigerator

⚠ WARNING



Tip Over Hazard

Refrigerator is top heavy and tips easily when not completely installed.

Keep doors taped closed until refrigerator is completely installed.

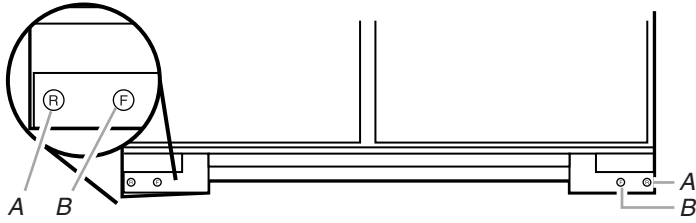
Use two or more people to move and install refrigerator.

Failure to do so can result in death or serious injury.

IMPORTANT: All four leveling legs must contact the floor to support and stabilize the full weight of refrigerator. Rollers are for moving refrigerator and not for permanent support.

After moving the refrigerator to its final location:

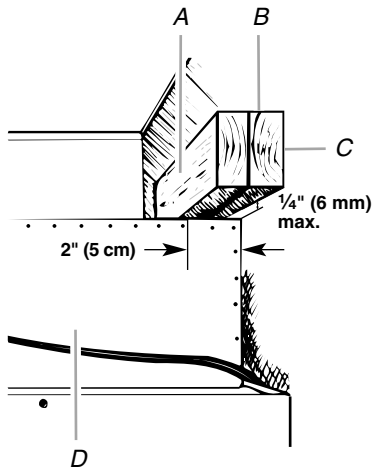
1. Use a $\frac{5}{16}$ " socket driver to turn the leveling bolts clockwise to extend the legs to the floor as shown. The rollers should be off the floor.



A. Rear leveling bolt
B. Front leveling bolt

2. Adjust the leveling legs to level and align the refrigerator from left to right and front to back so that the refrigerator is level and aligned with the cabinetry. The cabinetry surface must be plumb for the ideal fit of the refrigerator side trim.
3. Continue adjusting all of the leveling legs to raise the refrigerator until the top is within at least 1" (2.54 cm) of the top soffit.

NOTE: If an anti-tip board has been used, adjust the leveling legs until the top of the refrigerator is within $\frac{1}{4}$ " (6.35 mm) of the bottom of the anti-tip board as shown. Do not crush the compressor cover.



A. Center board $\frac{1}{4}$ " (6.35 mm) max. above refrigerator
B. Two 2" x 4" x 32" (5 cm x 10 cm x 81 cm) boards
C. Attach to studs with six #8 x 3" (7.6 cm) screws
D. Compressor cover

IMPORTANT: Adjust in small increments to keep from damaging the cabinet trim and causing problems with the door alignment or top grille fit. To avoid damage to the cabinet or leveling legs, do not apply more than 50 inch-pounds (5.65 Nm) of torque to the leveling bolts. The leveling legs can be extended to a maximum of $1\frac{1}{4}$ " (3.18 cm) below the rollers.

4. For Classic and Overlay models, additional adjustments may be needed after the custom panels are installed.

Install Overlay Series Custom Panels

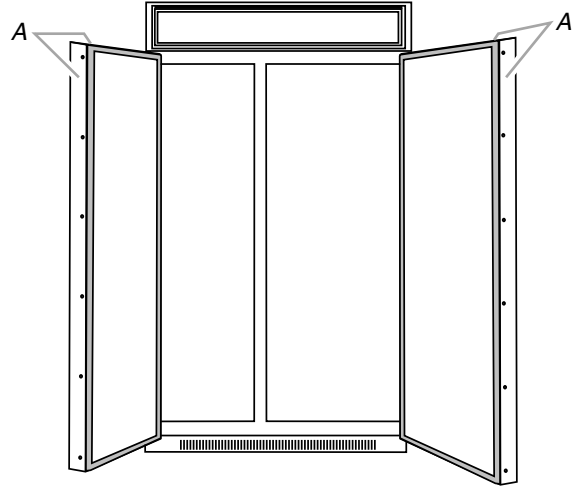
IMPORTANT:

- Install the custom handles prior to installing the panels on the refrigerator. For more information on Jenn-Air custom handle selection, refer to the Jenn-Air Catalog, visit www.jennair.com, or call 1-800-JENNAIR (1-800-536-6247). In Canada, visit www.jennair.ca, or call 1-800-807-6777.
- Create custom door overlay panels according to the specifications in the "Overlay Series Custom Panels" section.

- Jenn-Air is not responsible for the removal or addition of molding or decorative panels that would not allow access to the refrigerator for service.

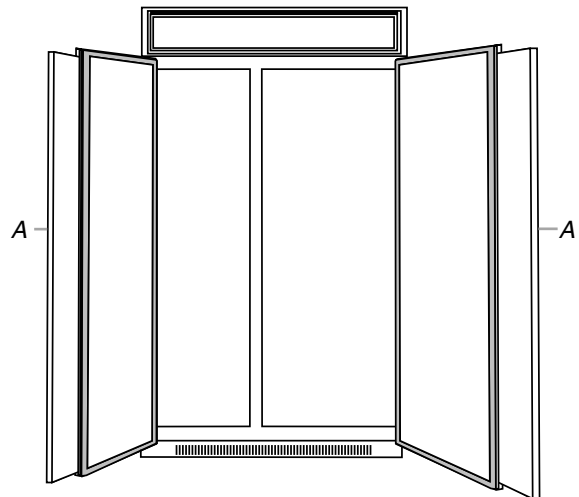
Door Panel Installation

1. Remove all tape and door bracing from the refrigerator and freezer doors.
2. Open the refrigerator and freezer compartment doors.
3. Remove the handle side and top trims.



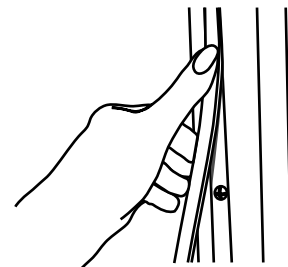
A. Trims

4. Slide the custom panels into the bottom and hinge side trims on the refrigerator compartment and freezer compartment doors, making sure that the backer panel fits into the hinge side trims.



A. Panels

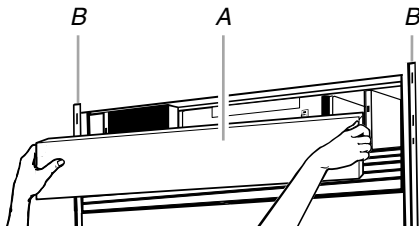
5. Reinstall the handle-side and top trims.
6. Remove the skin from the screw covers. Slide or snap the screw covers into the handle trim section.



7. Check refrigerator level and alignment. Adjust if needed.

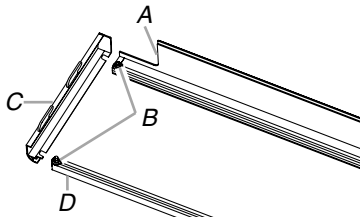
Top Grille Panel

1. Grasp both ends of the top grille.
2. Push straight up, then pull straight out. Place the top grille panel-side down on a soft working surface.



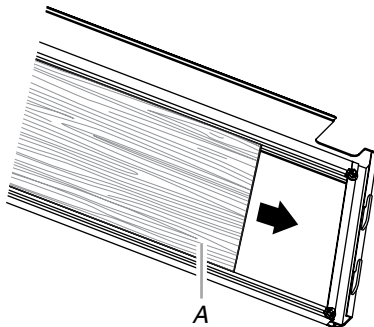
A. Top grille
B. Cabinet side trim

3. Remove one end cap by loosening the nuts and sliding off the end cap.



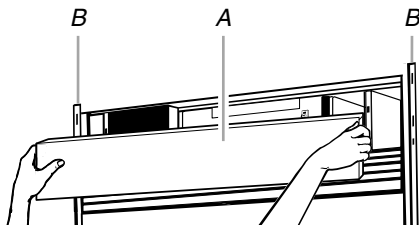
A. Bottom rail
B. Nuts
C. End cap
D. Top rail

4. Slide the backer panel into the top grille channel and reattach the end cap.



A. Backer panel

5. Replace the top grille in the cabinet side trims and pull the panel down slightly to lock it into place.



A. Top grille
B. Cabinet side trim

Adjust Doors

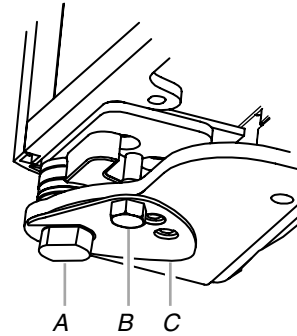
Door Height Adjustment

Use the following steps to adjust the door height, up or down, after the doors have been leveled.

1. Open the freezer or refrigerator door. Locate the bottom hinge and remove the door stop screw.

Euro-Style and Pro-Style® Styles

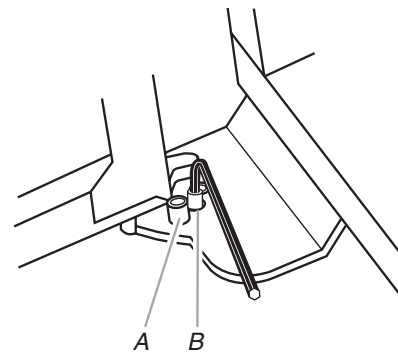
Remove the door stop screw from the bottom side of the hinge with a $\frac{3}{8}$ " open end wrench.



A. Bushing
B. Door stop screw
C. Locking plate

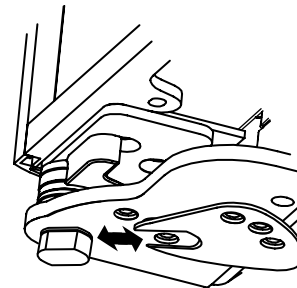
Overlay Style

Remove the two door stop screws: one from the bottom side using a $\frac{3}{8}$ " open end wrench and one from the top side using a $\frac{5}{32}$ " hex key.



A. Door stop screw from bottom
B. Door stop screw from top (110°)

2. Remove the locking plate as shown.



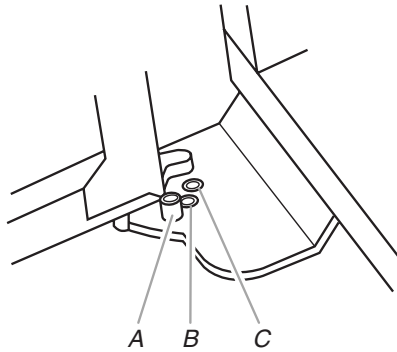
3. Turn the bushing located underneath the bottom of the hinge using a $\frac{1}{2}$ " open end wrench. Turning the bushing to the left will lower the door. Turning the bushing right will raise the door.
4. After adjusting, check the doors to make sure they are even at the top and bottom. If the doors are not even, continue to turn the bushing to adjust the door height.
5. Replace the locking plate.
6. Turn the bushing slightly to align the hinge and locking plate screw holes.
7. Replace the door stop screw or screws and tighten.

IMPORTANT: Do not place the door stop screw in the 130° position on Overlay Series models unless the custom panels have been routed on the hinge side. See "Overlay Series Door Panel and Cabinetry Clearance."

8. Make final recheck to make sure the doors are aligned and even.

Door Swing Adjustment

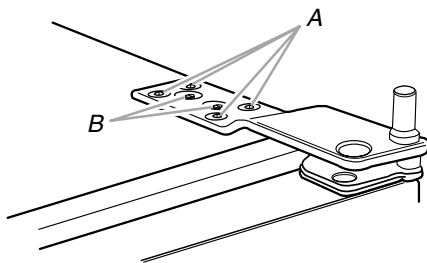
1. Check that the refrigerator door can open freely. If the door opens too wide, remove the door stop screw or screws (depending on your model) from the bottom hinge. See "Door Height Adjustment" earlier in this section.
2. Hold the door open to a position that is less than 90°.
3. Replace the door stop screw or screws in the bottom hinge and tighten.



- A. 130°
- B. 110° (Overlay series)
- C. 90°

Door-to-Door or Door-to-Refrigerator Trim Adjustment

1. Loosen, but do not remove, the four Torx[®] 27 flat-head mounting screws and the two 1/4" hex-head mounting screws.
2. Adjust the top hinge of either door to align it with the other door or the refrigerator trim.
3. Tighten the four Torx[®] 27 flat-head mounting screws to a torque of approximately 100 inch-pounds (11.3 Nm) and tighten the two 1/4" hex-head mounting screws.



- A. Torx[®] 27 flat-head mounting screws
- B. 1/4" hex-head mounting screws

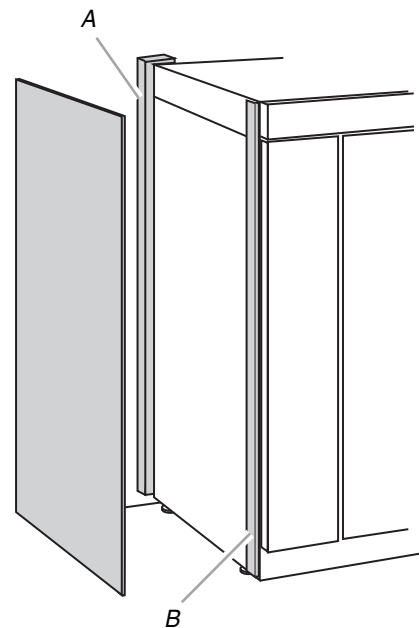
Install Side Panel

If the built-in area depth is 25" (63.5 cm) or more, the side panels can be installed inside the side trim or attached to the outside of the side trim.

IMPORTANT: Jenn-Air is not responsible for the removal or addition of molding or decorative panels that would not allow access to the refrigerator for service.

1. For the inside side trim piece, slide the front edge of the routed side panel into the trim piece.

2. Nail the rear edge of the panel to the support board.



- A. Support board (mounted to back wall)
- B. Cab side trim

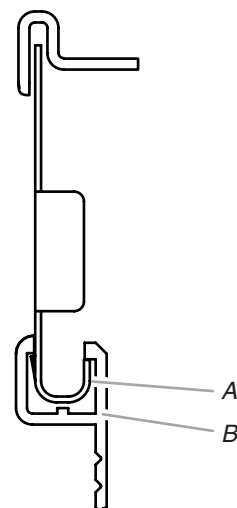
Install Base Grille

There are two pieces to the base grille to allow for a custom fit: the base grille itself and the skirt. The skirt can be added to the base grille in order to extend it all the way to the floor.

1. To see whether the skirt is needed, place the base grille into position. Do not attach the base grille to the refrigerator. Measure the distance between the bottom of the base grille and the floor. The gap must be a minimum of 1/2" (1.27 cm) in order to add the skirt.

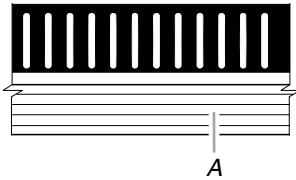
NOTE: If the gap measures less than 1/2" (1.27 cm), skip steps 3 and 4 of the instructions, and install the base grille only.

2. Remove the film from the base grille.
3. Snap the skirt onto the base grille.



- A. Base grille
- B. Skirt

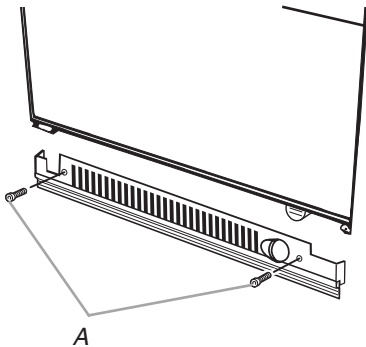
- Trim the skirt by scoring the proper "V" groove with a utility knife. Break the skirt at the score line.



A. "V" groove

- Using the two screws, attach the base grille assembly to the refrigerator as shown.

NOTE: Drive in the right side screw first.



A. Screws (2)

Complete Installation

- Turn the water supply line valve to the "Open" position.
- Turn the refrigerator switch to the ON position. See "Power On/Off Switch" in the Use and Care Guide for instructions. Wait a few minutes. Check the water line connections for leaks.
- Remove all boxes, parts packages and packing materials from the interior of the refrigerator. See the "Cleaning" section in the Use and Care Guide for instructions. Remove the film and cardboard from the grille and doors or door frame, depending on your model.
- Install the shelves and bins in the refrigerator and freezer compartments.
- The controls are preset at the factory to the midpoint setting. Make sure the compressor is operating properly and that all the lights are working.
- Flush the water system before use. See "Water System Preparation."

To get the most efficient use from your new built-in refrigerator, read your Use and Care Guide. Keep Installation Instructions and Use & Care Guide near the built-in refrigerator for easy reference.

Water System Preparation

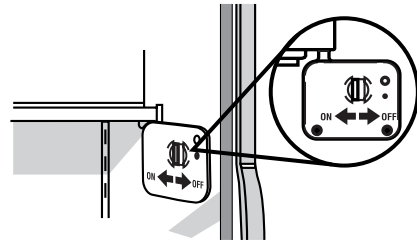
Please read before using the water system. Follow the directions specific to your model.

Style 1 – Dispenser Models

IMPORTANT: After connecting the refrigerator to a water source or replacing the water filter, follow the steps below to make sure that the water system is properly cleaned. This will flush air from the filter and water dispensing system, and prepare the water filter for use.

The On/Off switch is located on the top right side of the freezer compartment.

- Open the freezer door and turn off the ice maker. Move the switch to the OFF (right) setting as shown.



NOTE: If your model has a base grille filter system, make sure the base grille filter is properly installed and the cap is in the horizontal position.

Do not use with water that is microbiologically unsafe or of unknown quality without adequate disinfection before or after the system. Systems certified for cyst reduction may be used on disinfected waters that may contain filterable cysts.

- Use a sturdy container to depress and hold the water dispenser lever for 5 seconds, then release it for 5 seconds. Repeat until water begins to flow. Once water begins to flow, continue depressing and releasing the dispenser lever (5 seconds on, 5 seconds off) until a total of 3 gal. (12 L) has been dispensed. This will flush air from the filter and water dispensing system, and prepare the water filter for use. Additional flushing may be required in some households.

NOTE: As air is cleared from the system, water may spurt out of the dispenser.
- Open the freezer door and turn on the ice maker. Move the switch to the ON (left) position.
 - Allow 24 hours to produce the first batch of ice.
 - Discard the first three batches of ice produced.
 - Depending on your model, you may want to select the maximum ice feature to increase the production of ice.

Style 2 – Non-Dispenser Models

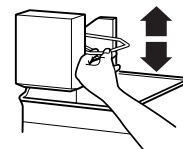
IMPORTANT: After connecting the refrigerator to a water source or replacing the water filter, fill and discard two full containers of ice to prepare the water filter for use, before using the ice.

Do not use with water that is microbiologically unsafe or of unknown quality without adequate disinfection before or after the system. Systems certified for cyst reduction may be used on disinfected waters that may contain filterable cysts.

- Turn on the ice maker. Lower the wire shutoff arm as shown. Please refer to "Ice Maker and Storage Bin" for further instructions on the operation of your ice maker.

NOTES:

- Allow 24 hours to produce the first batch of ice.
- Allow 3 days to completely fill ice container.
- Depending on your model, you may want to select the maximum ice feature to increase the production of ice.



NOTE: If your model has a base grille filter system, make sure the base grille filter is properly installed and the cap is in the horizontal position.

SEGURIDAD DEL REFRIGERADOR

Su seguridad y la seguridad de los demás es muy importante.

Hemos incluido muchos mensajes importantes de seguridad en este manual y en su electrodoméstico. Lea y obedezca siempre todos los mensajes de seguridad.



Este es el símbolo de advertencia de seguridad.

Este símbolo le llama la atención sobre peligros potenciales que pueden ocasionar la muerte o una lesión a usted y a los demás.

Todos los mensajes de seguridad irán a continuación del símbolo de advertencia de seguridad y de la palabra "PELIGRO" o "ADVERTENCIA". Estas palabras significan:

⚠ PELIGRO

Si no sigue las instrucciones de inmediato, usted puede morir o sufrir una lesión grave.

⚠ ADVERTENCIA

Si no sigue las instrucciones, usted puede morir o sufrir una lesión grave.

Todos los mensajes de seguridad le dirán el peligro potencial, le dirán cómo reducir las posibilidades de sufrir una lesión y lo que puede suceder si no se siguen las instrucciones.

⚠ ADVERTENCIA



Peligro de Vuelco

El refrigerador puede volcarse cuando está siendo instalado debido a que la parte superior es pesada.

Mantenga las puertas cerradas con cinta hasta que el refrigerador esté completamente instalado.

Use dos o más personas para mover e instalar el refrigerador.

No seguir estas instrucciones puede ocasionar la muerte o herida seria.

MODELOS

Refrigeradores sin despachador



Diseño Euro-Style

Equipado con puertas y manijas lisas, con cobertura de acero inoxidable.

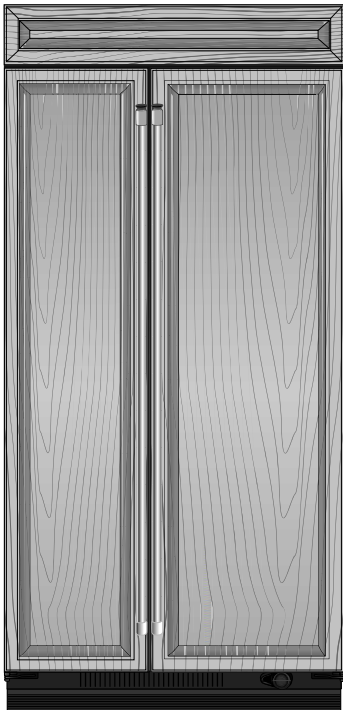
JS42SEFXDB JS48SEFXDB



Diseño Pro-Style®

Equipado con puertas con cobertura de acero inoxidable y manijas con grabado en forma de rombo Pro-Style®.

JS42PPFXDB JS48PPFXDB



Diseño Overlay

Utiliza paneles y piezas hechas a la medida para dar una apariencia perfecta, diseñada para armonizar con los armarios de cocina existentes.

JS42CXFXDB JS48CXFXDB



Diseño Euro-Style

Equipado con puertas y manijas lisas, con cobertura de acero inoxidable.

JS42SEDUBB JS48SEDUBB



Diseño Pro-Style®

Equipado con puertas con cobertura de acero inoxidable y manijas con grabado en forma de rombo Pro-Style®.

JS42PPDUBB JS48PPDUBB



Diseño Overlay

Utiliza paneles y piezas hechos a la medida para dar una apariencia perfecta, diseñada para armonizar con los armarios de cocina existentes.

JS42CXDBDB JS42CXDUBB

JS48CXDBDB JS48CXDUBB

REQUISITOS DE INSTALACIÓN

Piezas y herramientas

IMPORTANTE:

- Instalador: Deje las Instrucciones de instalación con el propietario.
- Propietario: Conserve las Instrucciones de instalación para referencia futura. Guarde estas Instrucciones de instalación para tenerlas a disposición del inspector de electricidad local.

HERRAMIENTAS NECESARIAS:

Reúna las herramientas y piezas necesarias antes de comenzar la instalación. Lea y siga las instrucciones provistas con cualquiera de las herramientas enlistadas aquí.

- Taladro inalámbrico
- Destornillador Torx[†] T27
- Brocas
- Aprietatuercas de 1¹/₃₂"
- Dos llaves ajustables
- Llaves de boca de 3/8" y 1/2"
- Destornillador Phillips
- Llave hexagonal de 5/32"
- Nivel pequeño
- Llaves de cubo de 1/4" y 5/16"
- Plataforma rodante para electrodomésticos
- Cinta para medir
- Cuchillo para uso general

PIEZAS NECESARIAS:

- 6 tornillos de madera #8 x 3" (7,6 cm) (pudieran necesitarse tornillos más largos)
- Uno o dos tableros de madera de 2" x 4" x 32" (5 cm x 10 cm x 81 cm)
- Serie Overlay: Haga los paneles a la medida o consulte con un carpintero o fabricante de gabinetes calificado para fabricarlos. Para obtener más información, vea "Paneles a la medida de la serie Overlay".
Las series Pro-Style[®] y Euro-Style se envían completas.
- Si va a conectar la línea de agua directamente a una tubería de cobre y no a la válvula de cierre, necesitará una férula, una unión y un accesorio de compresión de 1/4" (6,35 mm).

Requisitos de ubicación

El refrigerador puede instalarse en un recinto entre los armarios o al extremo de una línea de armarios utilizando un panel lateral para cercar el refrigerador.

⚠ ADVERTENCIA



Peligro de Explosión

Mantenga los materiales y vapores inflamables, tales como gasolina, alejados del refrigerador.

No seguir esta instrucción puede ocasionar la muerte, explosión, o incendio.

IMPORTANTE:

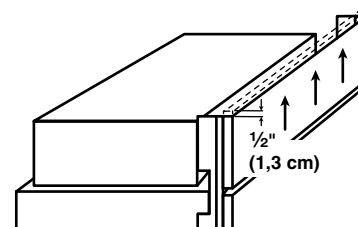
- Observe todos los códigos y reglamentos aplicables.
- No se recomienda instalar el refrigerador cerca de un horno, radiador u otra fuente de calor.
- No instale el refrigerador cerca de una ubicación en la que la temperatura puede bajar de los 55°F (13°C).
- El piso debe soportar el peso del refrigerador, más de 600 lbs (272 kg), los paneles de las puertas y el contenido del refrigerador.
- La altura del techo deberá permitir un arco de vuelco lateral. Vea "Arco de vuelco".
- La ubicación debe permitir que la puerta abra totalmente. Vea "Medidas de oscilación de la puerta".
- La ubicación debe permitir que se quite la rejilla superior. Vea "Medidas de la abertura".

Medidas de la abertura

- Para evitar la inclinación durante el uso, el plafón sólido deberá estar a 1" (2,5 cm) como máximo por encima del refrigerador. Si el plafón sólido está a una altura de más de 1" (2,5 cm) o no hay ninguno disponible, entonces el refrigerador deberá tener un soporte.

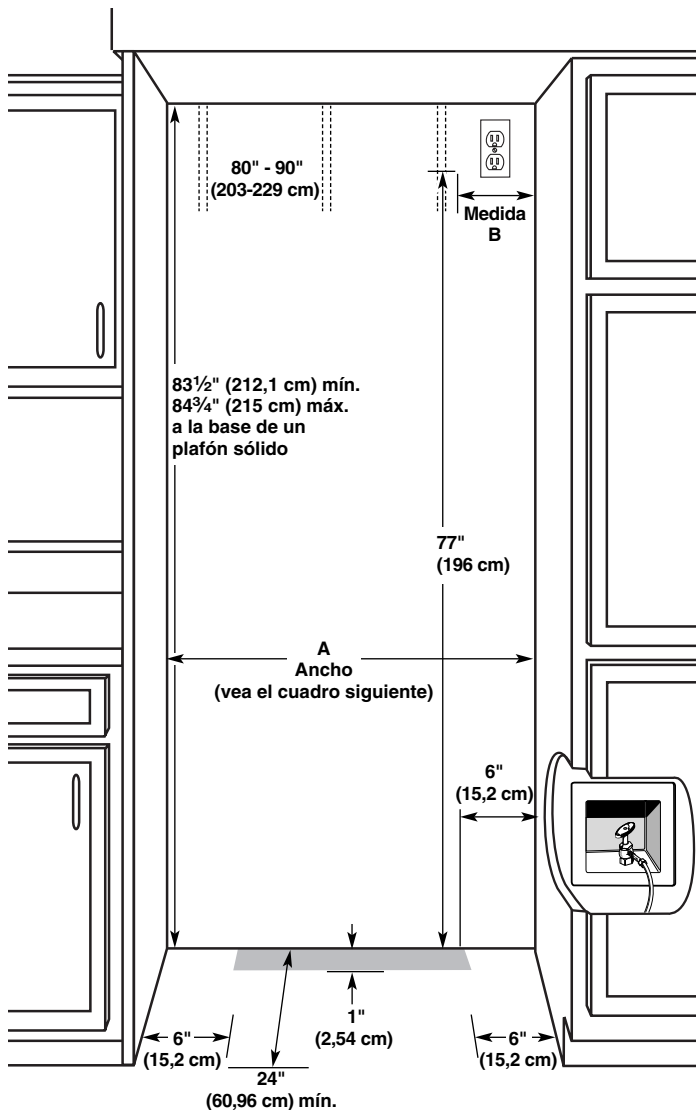
Si se necesitan los tableros antivuelco, éstos deben ajustar en la parte posterior de los pies derechos de la pared de 80" a 90" (203 a 229 cm) arriba del piso. Vea "Cómo instalar los tableros antivuelco" para va a conectar más información.

NOTA: Debe mantenerse un espacio de 1/2" (1,3 cm) arriba de la rejilla superior para que la misma se pueda quitar.



[†]©TORX es una marca registrada de Saturn Fasteners, Inc.

- Un contacto de tres terminales con conexión a tierra debe estar ubicado dentro de una medida específica de pulgadas de pulgadas de los armarios del lado derecho o del panel del extremo. Consulte la tabla que sigue a la ilustración para ver el número de pulgadas necesarias para su modelo. Para obtener más información, vea "Requisitos eléctricos".
- El cierre del agua deberá estar ubicado en el armario base, a cualquier lado del refrigerador o en algún otro lugar de fácil acceso. Si la válvula de cierre del agua no está en los armarios, la tubería para la línea del agua puede llegar a través del piso o de la pared trasera. Vea "Requisitos del suministro de agua" para obtener información adicional.



Modelo	Ancho A (como se muestra anteriormente)	Medida B (como se muestra anteriormente)
42	41½" (105,4 cm) a 41¾" (106,1 cm)	10" (25,4 cm)
48	47½" (120,7 cm) a 47¾" (121,3 cm)	16" (40,6 cm)

NOTA: El piso que está debajo del refrigerador deberá estar al mismo nivel que la habitación. El frente de los armarios debe estar nivelado.

Requisitos eléctricos

⚠ ADVERTENCIA



Peligro de Choque Eléctrico

Conecte a un contacto de pared de conexión a tierra de 3 terminales.

No quite la terminal de conexión a tierra.

No use un adaptador.

No use un cable eléctrico de extensión.

No seguir estas instrucciones puede ocasionar la muerte, incendio o choque eléctrico.

Antes de mover el refrigerador a su posición definitiva, es importante asegurarse que Ud. tiene la conexión eléctrica adecuada.

Método de conexión a tierra recomendado

Se requiere una fuente de energía eléctrica de 115 Voltios, 60 Hz., CA solamente y con fusibles de 15 ó 20 amp, debidamente conectada a tierra. Se recomienda que se use un circuito separado sólo para su refrigerador. Use un tomacorriente que no se puede apagar con un interruptor. No use un cable eléctrico de extensión.

IMPORTANTE: Si este producto está conectado a un tomacorriente protegido por un interruptor del circuito de falla eléctrica de puesta a tierra (GFCI - Ground Fault Circuit Interrupter), puede ocurrir un disparo brusco del suministro de corriente, lo que resultará en una pérdida de enfriamiento. Esto puede afectar la calidad y el sabor de los alimentos. Si ha ocurrido un disparo brusco, y el alimento aparenta estar en malas condiciones, deshágase del mismo.

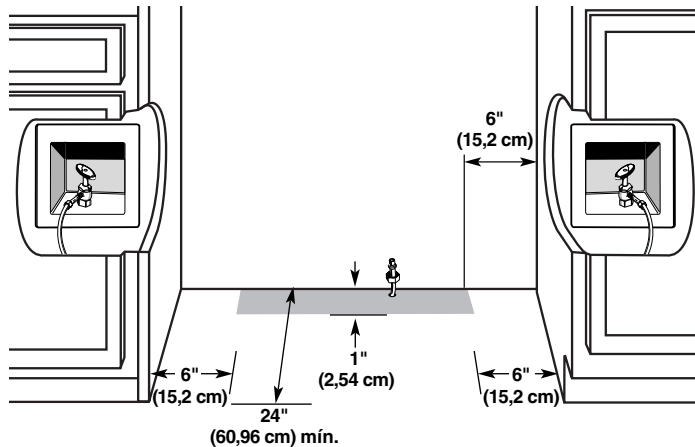
NOTA: Antes de realizar cualquier tipo de instalación, limpieza o quitar un foco, quite la rejilla superior y ponga el interruptor principal de energía en la posición OFF (Apagado) o desconecte el suministro de energía eléctrica en la caja de disyuntores.

Cuando haya terminado, ENCIENDA el interruptor principal de energía o reconecte el suministro de energía en la caja de disyuntores. Luego vuelva a ajustar el control en la posición deseada.

Requisitos del suministro de agua

- Todas las instalaciones deben hacerse de acuerdo a los requerimientos locales de plomería.
- El cierre del agua deberá estar localizado en el armario base, a cualquier lado del refrigerador o en algún otro lugar de fácil acceso. Se recomienda el lado derecho. El orificio de acceso a través del armario deberá estar a ½" (12,7 mm) de la pared trasera como máximo.

NOTA: Si la válvula de cierre de agua está en la pared posterior detrás del refrigerador, deberá haber un ángulo de manera que el tubo no se doble cuando se empuje el refrigerador hacia su posición final.



- Si la válvula de cierre del agua no está en los armarios, la tubería para la línea del agua puede llegar a través del piso. Deberá taladrarse un orificio de ½" (12,7 mm) para la plomería a por lo menos 6" (15,2 cm) del panel o armario del lado derecho o izquierdo. En el piso, el orificio no debe estar a más de 1" (2,54 cm) de la pared trasera. Vea "Conecte el suministro de agua".
- Si necesita tubería adicional, use tuberías de cobre y revise si hay fugas. Instale la tubería de cobre sólo en áreas donde la temperatura vaya a permanecer por encima del punto de congelación.
- No use una válvula perforadora o una válvula de montura de 3/16" (4,76 mm) que reduce el flujo de agua y se obstruye con más facilidad.

NOTA: El distribuidor de su refrigerador tiene disponible un juego con una válvula de cierre tipo montura de ¼" (6,35 mm), una unión y tubería de cobre. Antes de comprar, asegúrese que la válvula tipo montura cumpla con los códigos de plomería de su localidad.

Presión del agua

Se necesita un suministro de agua fría con presión de agua entre 30 y 120 lbs/pulg² (207 y 827 kPa) para hacer funcionar el despachador de agua y la fábrica de hielo. Si usted tiene preguntas acerca de la presión de agua, llame a un plomero competente autorizado.

Suministro de agua de ósmosis inversa

IMPORTANTE: La presión del suministro de agua que sale de un sistema de ósmosis inversa y va a la válvula de entrada de agua del refrigerador necesitará ser entre 30 y 120 lbs/pulg² (207 y 827 kPa).

Si se conecta un sistema de filtración de agua de ósmosis inversa al suministro de agua fría, la presión de agua al sistema de ósmosis inversa necesitará ser de un mínimo de 40 a 60 lbs/pulg² (276 a 414 kPa).

Si la presión del agua al sistema de ósmosis inversa es menor de 40 a 60 lbs/pulg² (276 a 414 kPa):

- Fíjese si el filtro de sedimentos en el sistema de ósmosis inversa está bloqueado y reemplácelo si fuera necesario.
- Deje que se vuelva a llenar el tanque de almacenaje del sistema de ósmosis inversa después del uso intenso.
- Si su refrigerador tiene un cartucho del filtro de agua, se podrá reducir la presión aún más si se usa en conjunto con un sistema de ósmosis inversa. Quite el cartucho del filtro de agua.

Si tiene preguntas acerca de la presión del agua, llame a un plomero competente autorizado.

Arco de vuelco

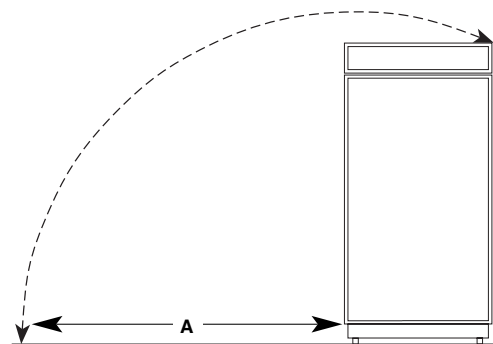
Asegúrese que dispone de suficiente altura al techo para que el refrigerador esté completamente derecho cuando lo mueva a su ubicación final.

- Si se utiliza una plataforma rodante, se debe agregar la altura de sus ruedas al arco de vuelco.
- Si desea, puede reducir el arco de vuelco. Vea la sección "Cómo reducir el arco de vuelco".

Arco de vuelco lateral

El arco de vuelco lateral varía dependiendo del ancho del modelo. Use el cuadro siguiente para determinar el arco de vuelco lateral.

NOTA: Se vuelca sólo de costado.



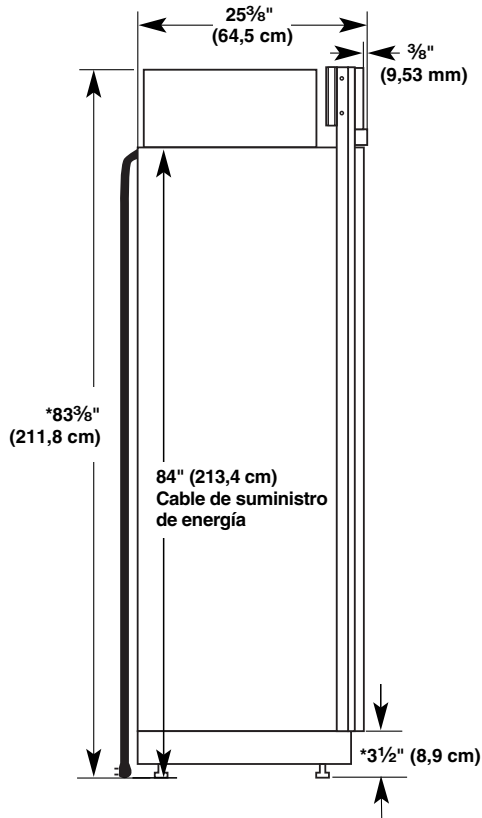
Modelo	Arco de vuelco A
42	93" (236,2 cm)
48	96" (243,8 cm)

Medidas del producto

Vista lateral

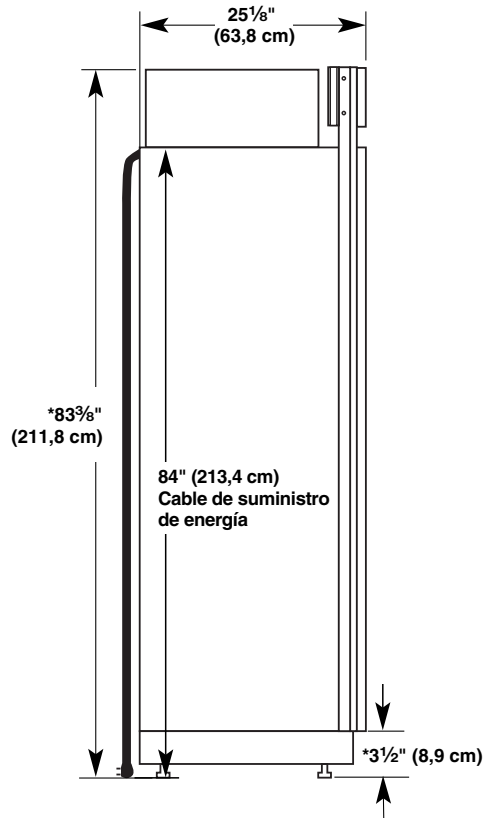
- La profundidad del frente de la rejilla superior a la parte posterior de la carcasa del refrigerador es de 25 $\frac{3}{8}$ " (64,5 cm) para los estilos Euro y Pro-Style®. La profundidad del estilo Overlay es de 25 $\frac{1}{8}$ " (63,8 cm) sin los paneles a la medida.
- El cable de suministro de energía es de 84" (213 cm) de largo.
- La línea de agua ajustada a la parte posterior del refrigerador es de 5 pies (1,5 m) de largo.
- Las medidas de altura indicadas consideran las patas niveladoras extendidas $\frac{1}{8}$ " (3 mm) por debajo de los rodillos.

Euro-Style y Pro-Style®



*Si las patas niveladoras están totalmente extendidas 1 $\frac{1}{4}$ " (3,2 cm) por debajo de los rodillos, agregue 1 $\frac{1}{8}$ " (2,9 cm) a las medidas de altura.

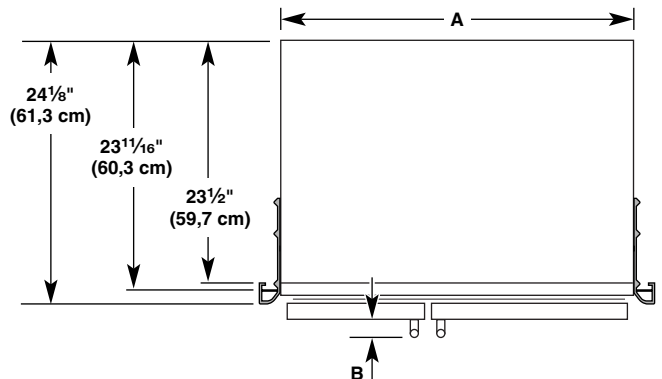
Estilo Overlay



*Si las patas niveladoras están totalmente extendidas 1 $\frac{1}{4}$ " (3,2 cm) por debajo de los rodillos, agregue 1 $\frac{1}{8}$ " (2,9 cm) a las medidas de altura.

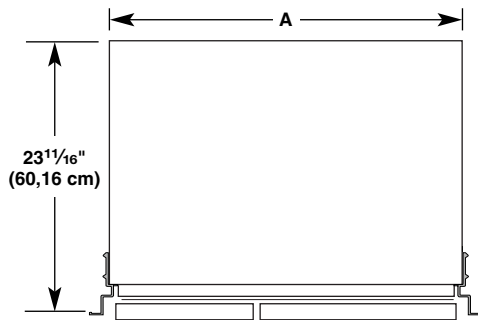
Vista superior

Euro-Style y Pro-Style®



Modelo	A	B
42 Euro-Style	41" (104,1 cm)	2 $\frac{1}{8}$ " (5,3 cm)
48 Euro-Style	47" (119,4 cm)	2 $\frac{1}{8}$ " (5,3 cm)
42 Pro-Style®	41" (104,1 cm)	2 $\frac{5}{8}$ " (6,67 cm)
48 Pro-Style®	47" (119,4 cm)	2 $\frac{5}{8}$ " (6,67 cm)

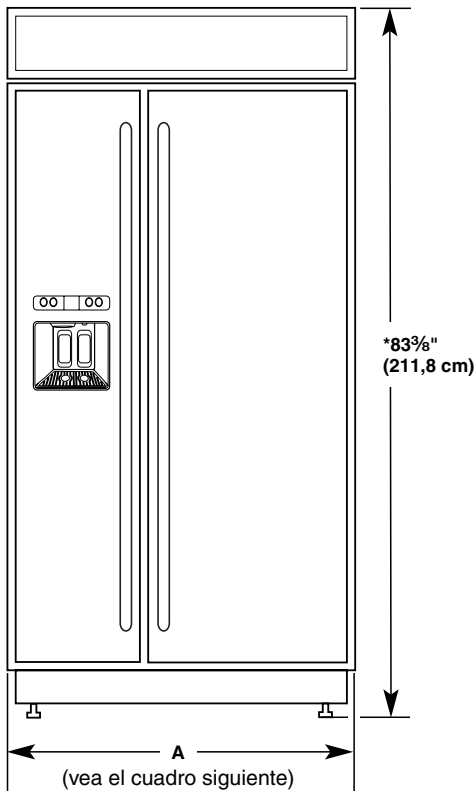
Estilo Overlay



Modelo	Ancho A
42	41" (104,1 cm)
48	47" (119,4 cm)

Vista frontal

- Las medidas del ancho fueron tomadas de un extremo del adorno al otro extremo del mismo.
- Las medidas de altura indicadas consideran las patas niveladoras extendidas $\frac{1}{8}$ " (3 mm) por debajo de los rodillos.



Modelo	Ancho A (de un extremo del adorno al otro extremo del mismo)
42	42 $\frac{1}{4}$ " (107,3 cm)
48	48 $\frac{1}{4}$ " (122,6 cm)

*Si las patas niveladoras están totalmente extendidas $\frac{1}{4}$ " (3,2 cm) por debajo de los rodillos, agregue $\frac{1}{8}$ " (2,9 cm) a las medidas de altura.

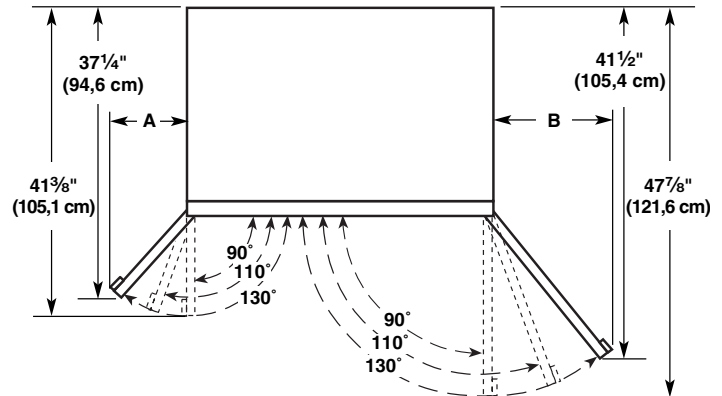
Medidas de oscilación de las puertas

La ubicación debe permitir que ambas puertas se abran a un mínimo de 90°. Deje un espacio mínimo de 4 $\frac{1}{2}$ " (11,4 cm) entre el lado del refrigerador y una pared de la esquina.

NOTA: Es posible se necesite más espacio si va a utilizar paneles recubiertos, manijas a la medida o manijas extendidas.

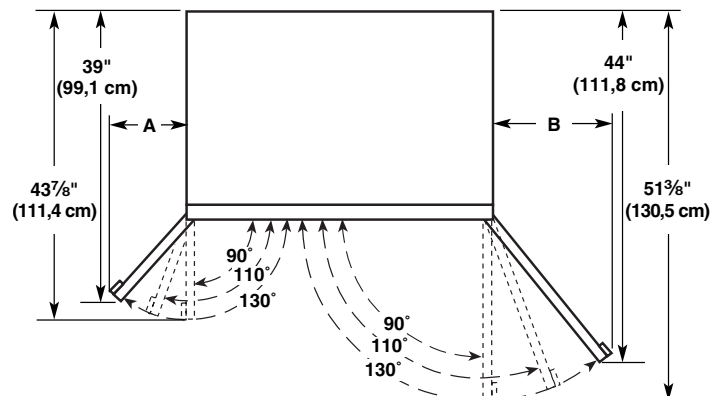
Para ajustar la oscilación de las puertas, vea "Cómo ajustar las puertas".

Modelos de 42" (106,7 cm)



Modelo	A	B
Pro-Style®	10 $\frac{3}{4}$ " (27,11 cm)	14 $\frac{1}{4}$ " (36,11 cm)
Euro	10 $\frac{1}{4}$ " (25,87 cm)	13 $\frac{3}{4}$ " (34,88 cm)

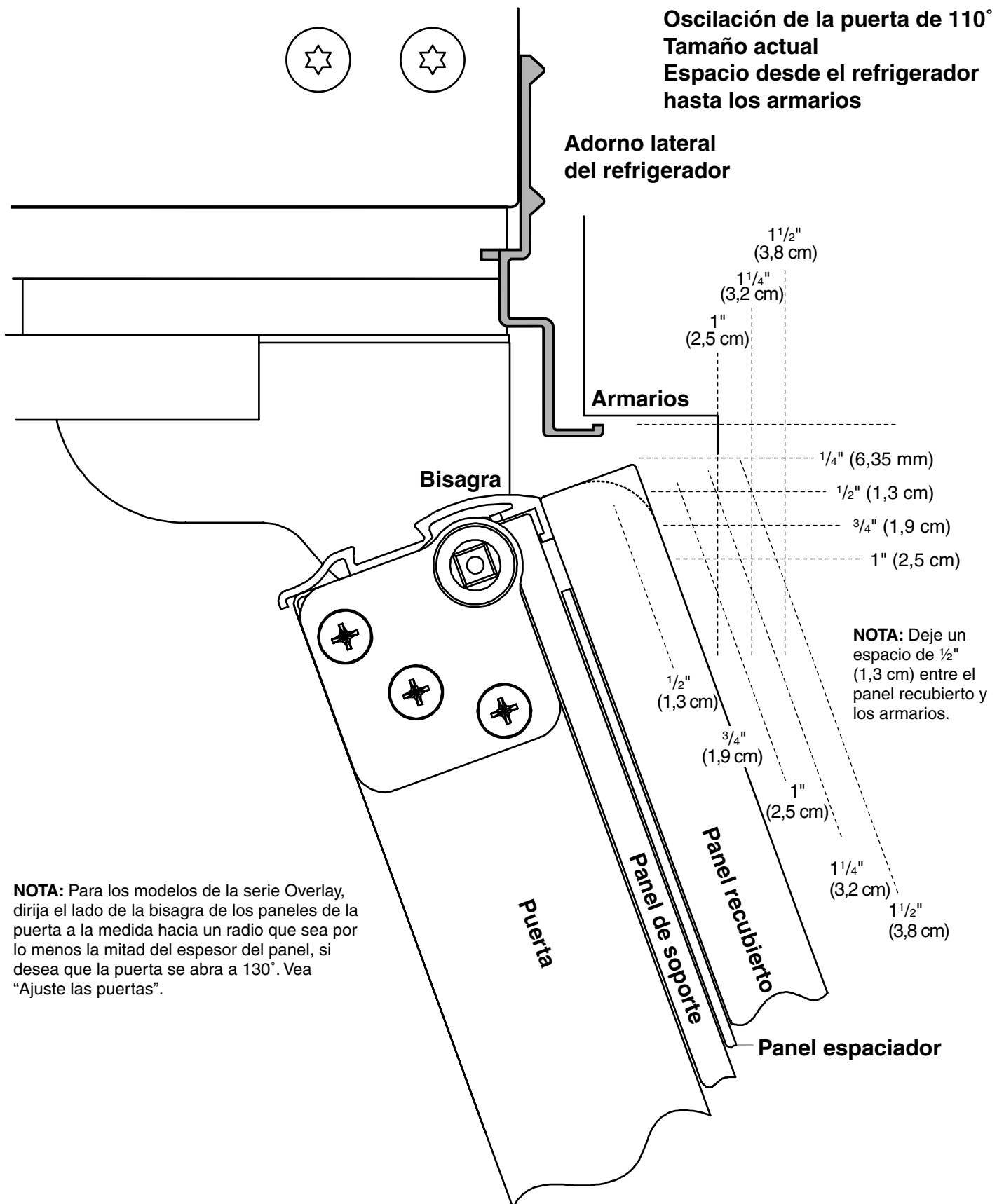
Modelos de 48" (121,9 cm)



Modelo	A	B
Pro-Style®	12 $\frac{3}{16}$ " (30,84 cm)	16 $\frac{1}{4}$ " (41,16 cm)
Euro	11 $\frac{5}{8}$ " (29,43 cm)	15 $\frac{11}{16}$ " (39,75 cm)

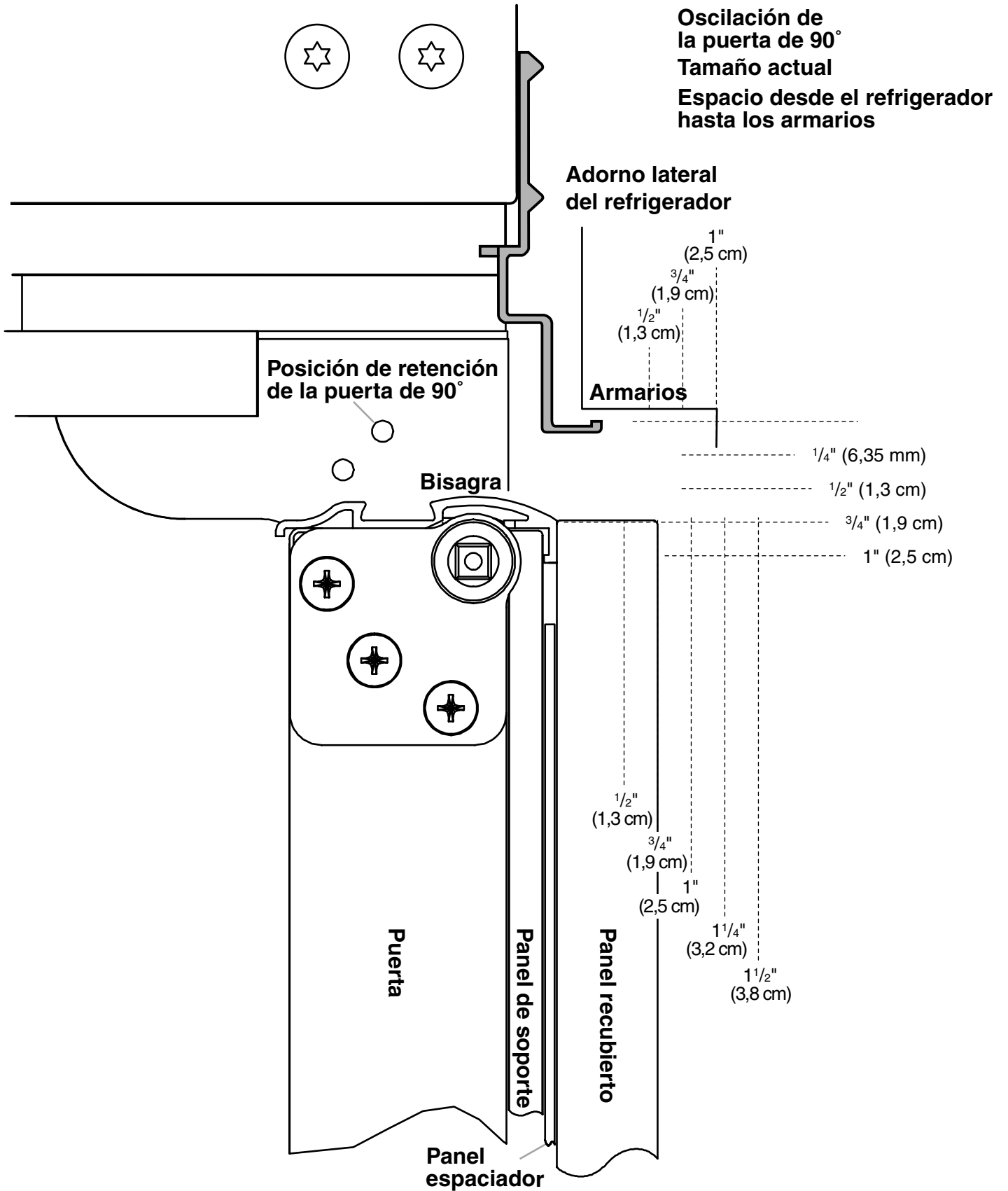
Espacio para el panel de la puerta y para los armarios de la serie Overlay

Los paneles de la puerta a la medida y los armarios adyacentes deben estar diseñados de modo tal de que haya suficiente espacio para que las puertas se puedan abrir. Si el refrigerador se va a instalar cerca de la pared, vea "Oscilación de la puerta de 90°" en la próxima página.



NOTA: Para los modelos de la serie Overlay, dirija el lado de la bisagra de los paneles de la puerta a la medida hacia un radio que sea por lo menos la mitad del espesor del panel, si desea que la puerta se abra a 130°. Vea "Ajuste las puertas".

Cuando las puertas están cerradas, el refrigerador se extenderá en alguna medida más allá de la parte frontal del armario.



Deje un espacio mínimo de 4 1/2" (11,4 cm) entre el lado del refrigerador y la esquina de la pared. Es posible que sea necesario contar con mayor espacio si se utilizan paneles a la medida más gruesos o agarraderas a la medida. No deje de prestar atención a los zócalos.

Paneles a la medida y juegos de manijas de la serie Overlay

Los paneles a la medida recubiertos le permiten combinar el exterior de su refrigerador con la decoración de la cocina y usar las manijas a la medida para mayor flexibilidad en el diseño.

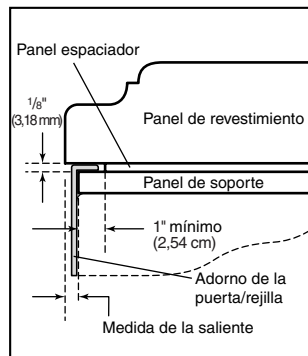
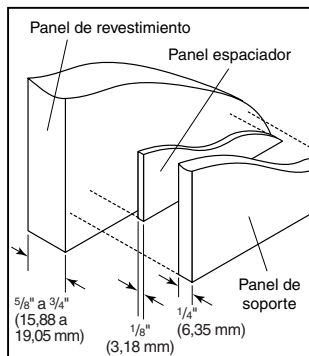
Los paneles a la medida deben tener paneles de soporte sujetos a estos, para montarlos en el refrigerador. Lo más común es trabajar con tres paneles, como se muestra en la siguiente gráfica: un panel decorativo recubierto, un panel espaciador de $\frac{1}{8}$ " (3,18 mm) o franjas espaciadoras y un panel de soporte de $\frac{1}{4}$ " (6,35 mm).

En algunos casos, su fabricante de armarios puede elegir trabajar con un panel contornearlo para las diferentes medidas. Siga estas medidas de panel e instrucciones de ubicación para asegurarse de que los paneles recubiertos a la medida encajarán adecuadamente.

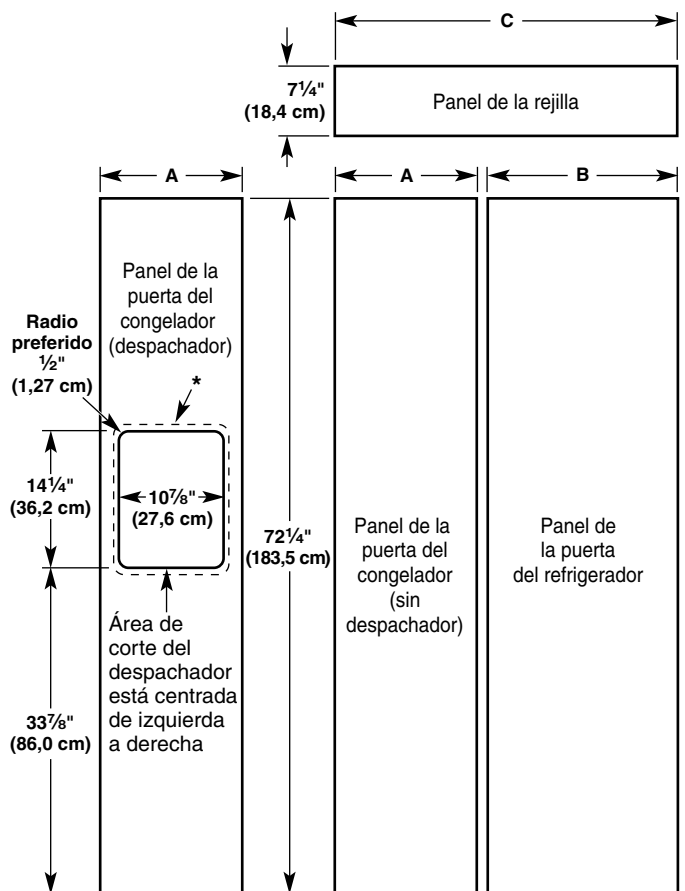
IMPORTANTE:

- El peso del panel recubierto de la puerta del refrigerador no debe ser mayor que 50 lbs (23 kg).
- El peso del panel recubierto de la puerta del congelador no debe ser mayor que 40 lbs (18,1 kg).
- El peso del panel recubierto de la rejilla superior no puede ser mayor que 10 lbs (4,5 kg).

Para minimizar el peso del panel, puede usar franjas espaciadoras de 2" (5,08 cm) alrededor del perímetro en lugar de paneles espaciadores de hoja plena macizos. Las franjas espaciadoras deben fijarse a una distancia de al menos 1" (2,54 cm) de la parte superior, parte inferior y extremos laterales del panel de soporte. Si usa franjas espaciadoras, también se recomienda que use dos franjas de 2" (5,08 cm) centradas horizontalmente para proveer soporte adicional.



Panel decorativo con revestimiento



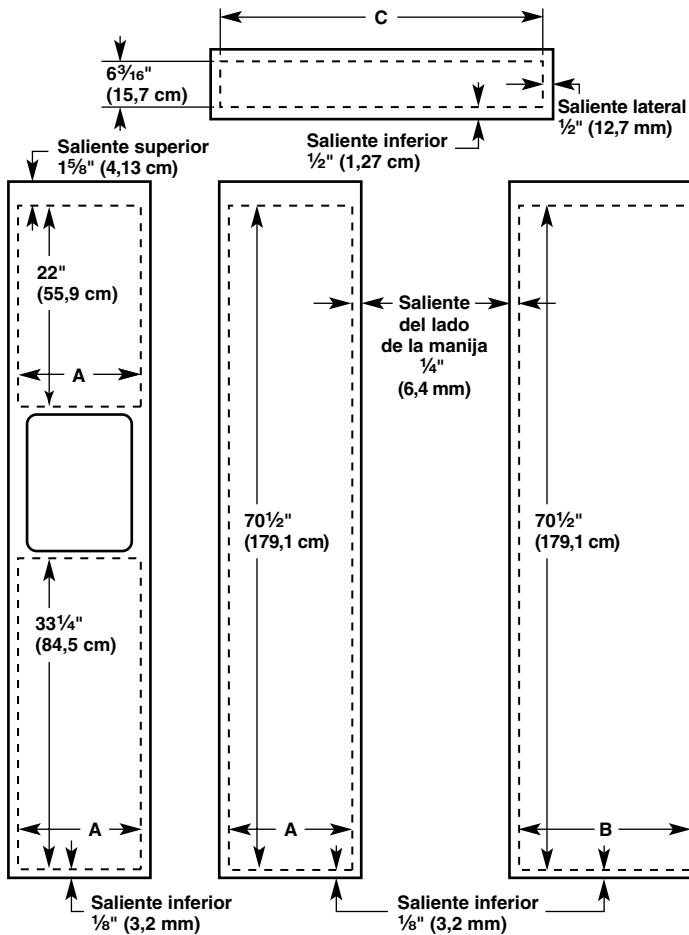
Modelo	A	B	C
42	17 $\frac{1}{4}$ " (43,82 cm)	23 $\frac{1}{4}$ " (59,06 cm)	40 $\frac{3}{4}$ " (103,51 cm)
48	19 $\frac{3}{4}$ " (50,17 cm)	26 $\frac{3}{4}$ " (67,95 cm)	46 $\frac{3}{4}$ " (118,75 cm)

*Representa el lugar de colocación para el revestimiento del despachador.

Paneles de soporte

NOTAS:

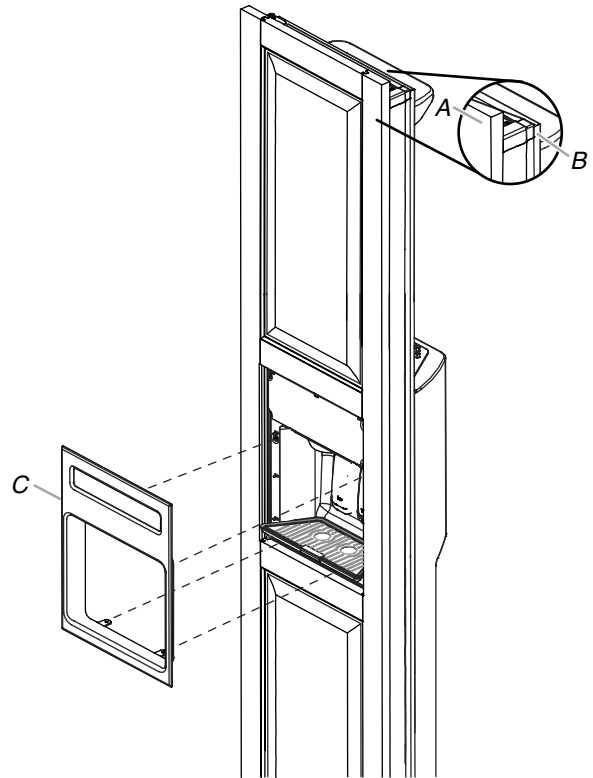
- Las líneas punteadas representan el lugar donde se deben colocar los paneles de soporte.
- La ilustración muestra los paneles de soporte colocados en los revestimientos decorativos.



Modelo	A	B	C
42	16 ³ / ₄ " (42,55 cm)	22 ³ / ₄ " (57,79 cm)	39 ³ / ₄ " (100,97 cm)
48	19 ¹ / ₄ " (48,90 cm)	26 ¹ / ₄ " (66,68 cm)	45 ³ / ₄ " (116,21 cm)

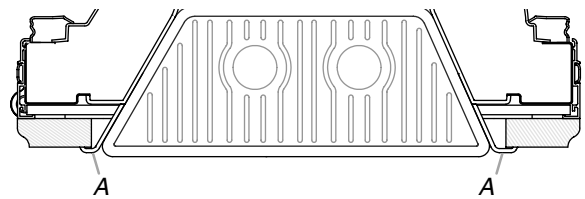
Marco del despachador (solamente en modelos con despachador)

El marco del despachador se sujeta al panel con 4 tornillos.



A. Panel de revestimiento
B. Puerta del refrigerador
C. Marco del despachador

El marco del despachador sobresale del área de corte del despachador por $\frac{5}{16}$ " (0,78 cm) en cada lado y $\frac{1}{2}$ " (1,27 cm) en la parte superior e inferior.



A. Sobresale $\frac{1}{2}$ " (1,27 cm)

Paneles laterales a la medida Euro-Style y Pro-Style®

Los paneles laterales a la medida pueden ser necesarios cuando no hay suficiente espacio disponible para tener armarios en los dos lados del refrigerador o cuando el refrigerador se coloca al final de una línea de armarios. Usted puede elegir una instalación de paneles empotrados, al ras o empotrados en relieve.

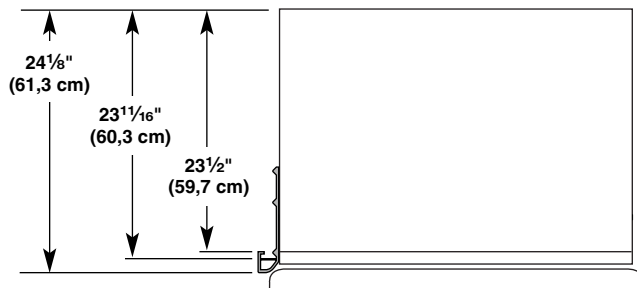
Medidas del refrigerador y del adorno lateral

El ancho y la altura del panel lateral están determinados por el tipo de instalación que usted planifique.

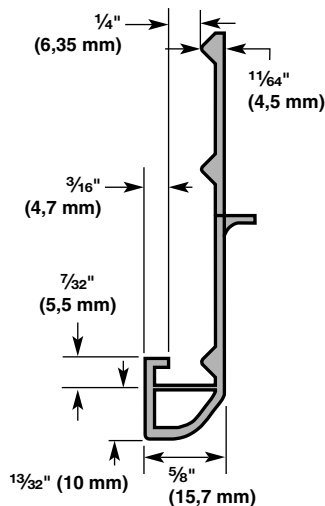
NOTAS:

- Las dimensiones que se muestran son las dimensiones exactas del producto y puede que no reflejen las dimensiones necesarias de la instalación del panel.
- El panel lateral deberá tener un grosor mínimo de $\frac{1}{2}$ " (1,27 cm) para impedir pandeos.
- Si la profundidad de la abertura es de 25" (63,5 cm) o mayor, tal vez quiera instalar una tabla de soporte en la pared posterior.

Refrigerador



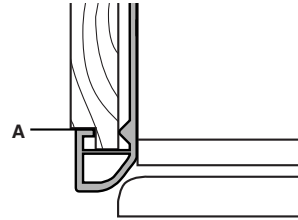
Adorno lateral



Medidas para la instalación empotrada

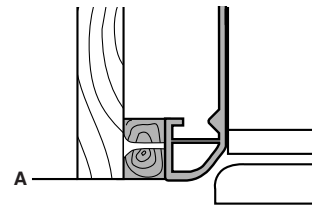
- Mida la distancia del punto A (como se muestra) a la pared posterior. Agregue $\frac{7}{32}$ " (5,6 mm) a esta medida para que el panel lateral se ajuste dentro del adorno.

- Si el panel tiene más de $\frac{1}{4}$ " (6,35 mm) de grosor, contornee el borde delantero del panel para permitir que el panel lateral encaje en el adorno.



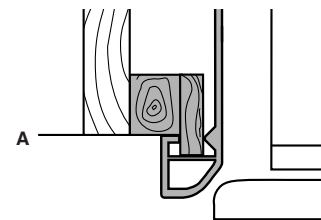
Medidas para la instalación al ras

- Mida la distancia del punto A (como se muestra) a la pared posterior.
- Afiance el tablero de soporte con un tornillo o pegamento que sea compatible con aluminio y madera.



Medidas para la instalación en relieve empotrada

- Mida la distancia del punto A (como se muestra) a la pared posterior.
- Contornee el borde delantero del tablero de soporte o afiance un tablero de $\frac{1}{4}$ " (6,35 mm) para fijarlo en el adorno lateral del armario.



Paneles laterales a la medida para la serie Overlay

Los paneles laterales a la medida pueden ser necesarios cuando no hay suficiente espacio disponible para tener armarios en los dos lados del refrigerador o cuando el refrigerador se coloca al final de una tira de armarios. Usted puede elegir una instalación de paneles empotrados o empotrados en relieve.

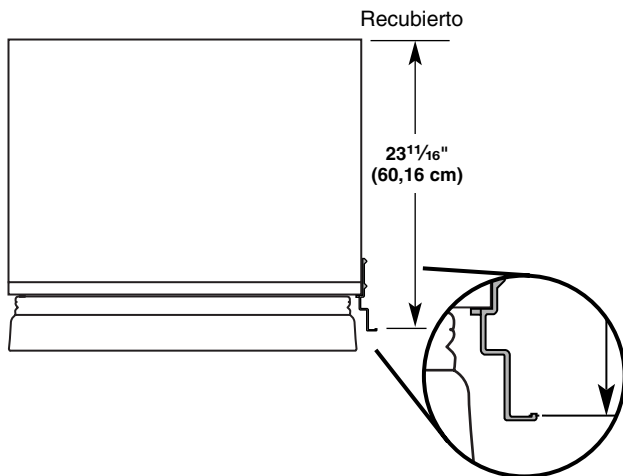
Medidas del refrigerador y del adorno lateral

El ancho y la altura del panel lateral están determinados por el tipo de instalación que usted planifique.

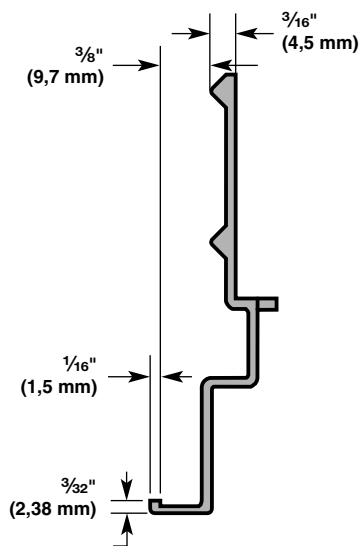
NOTAS:

- Las medidas que se muestran son las medidas reales del producto y puede que no reflejen las dimensiones necesarias de la instalación.
- El panel lateral deberá tener un grosor mínimo de $\frac{1}{2}$ " (1,27 cm) para impedir pandeos.
- Si la profundidad de la abertura es de 25" (63,5 cm) o mayor, tal vez quiera instalar una tabla de soporte en la pared posterior.

Refrigerador

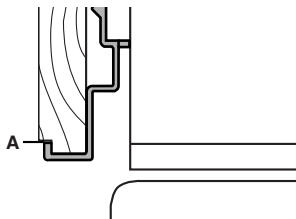


Adorno lateral



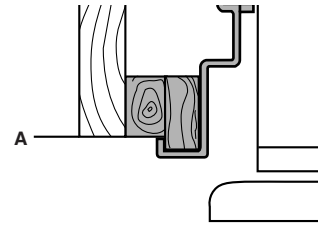
Medidas para la instalación empotrada

1. Mida la distancia del punto A (como se muestra) a la pared posterior. Agregue $\frac{1}{32}$ " (0,8 mm) a esta medida para que el panel lateral se ajuste dentro del adorno.
2. Si el panel tiene más de $\frac{3}{8}$ " (9,5 mm) de grosor, contornee el borde delantero del panel para permitir que el panel lateral encaje en el adorno.



Medidas para la instalación relieve empotrada

1. Mida la distancia del punto A (como se muestra) a la pared posterior.
2. Contornee el canto delantero del tablero de soporte o afiance un tablero de $\frac{3}{8}$ " (9,5 mm) para fijarlo al adorno lateral del armario.



INSTRUCCIONES DE INSTALACIÓN

Desempaque el refrigerador

⚠ ADVERTENCIA



Peligro de Vuelco

El refrigerador puede volcarse cuando está siendo instalado debido a que la parte superior es pesada.

Mantenga las puertas cerradas con cinta hasta que el refrigerador esté completamente instalado.

Use dos o más personas para mover e instalar el refrigerador.

No seguir estas instrucciones puede ocasionar la muerte o herida seria.

IMPORTANTE:

- No quite la película de su refrigerador hasta que esté en su ubicación para el funcionamiento.
 - Las cuatro patas niveladoras deberán hacer contacto con el piso para soportar y estabilizar el peso total del refrigerador.
 - Ponga la pieza de cartón de empaque o de madera contrachapada debajo del refrigerador hasta que lo instale en su ubicación para el funcionamiento.
1. Quite y guarde la bolsa de material impreso adherida al costado del refrigerador y la bolsa de piezas que está detrás de la rejilla. Quite los cuatro soportes (dos de cada lado) que sujetan la base de empaque al fondo del refrigerador.
NOTA: No quite la cinta y los refuerzos de las puertas hasta que el refrigerador esté en su ubicación final.
 2. Si es necesario, reduzca el arco de vuelco. Vea "Arco de vuelco" para los requisitos de altura del techo o "Cómo reducir el arco de vuelco" para ver las instrucciones paso a paso. Si usted no necesita reducir el arco de vuelco, proceda con "Cómo hacer entrar el refrigerador en la casa".

Cómo reducir el arco de vuelco

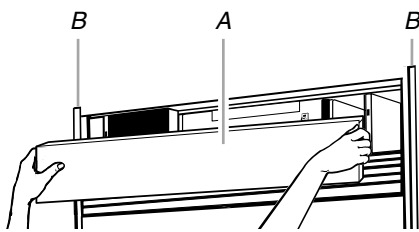
(si es necesario)

Antes de llevar el refrigerador a la casa, asegúrese de que dispone de suficiente altura al techo para poner el refrigerador en posición vertical. Vea "Arco de Vuelco" en la sección "Requisitos de instalación" para más información.

Si no se dispone de suficiente altura al techo para que el refrigerador esté completamente derecho, el arco de vuelco se puede reducir si quita la rejilla superior y los adornos laterales (vea el gráfico siguiente).

Modelo	Arco de vuelco reducido
42	88½" (224,8 cm)
48	89¼" (226,7 cm)

1. Tome ambos extremos de la rejilla superior.
2. Empuje la rejilla superior directamente hacia arriba y luego tire directamente hacia afuera. Coloque la rejilla sobre una superficie de trabajo blanda.



A. Rejilla superior
B. Adorno lateral del armario

3. Quite los seis tornillos que afianzan el adorno lateral de cada armario al refrigerador y quite los adornos laterales.

Cómo hacer entrar el refrigerador en la casa

⚠ ADVERTENCIA



Peligro de Vuelco

El refrigerador puede volcarse cuando está siendo instalado debido a que la parte superior es pesada.

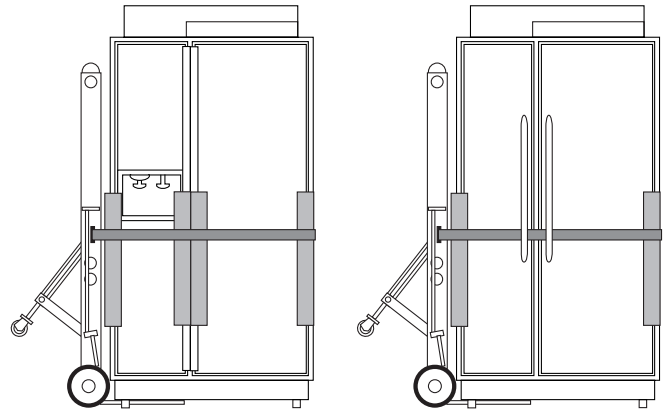
Mantenga las puertas cerradas con cinta hasta que el refrigerador esté completamente instalado.

Use dos o más personas para mover e instalar el refrigerador.

No seguir estas instrucciones puede ocasionar la muerte o herida seria.

1. Coloque una plataforma rodante para electrodomésticos debajo del lado izquierdo del refrigerador, como se muestra. Para evitar daños, coloque los esquinales de los materiales de empaque sobre los adornos y las manijas, según sea necesario. Apriete lentamente la correa.

NOTA: Pase la correa de la plataforma rodante por debajo de las manijas, para la serie Architect®.



2. Coloque unos tramos de cartón de embarque en el piso cuando haga rodar la plataforma rodante y el refrigerador al interior de la casa. Acerque el refrigerador a la abertura donde se va a empotrar.
3. Coloque la parte superior del empaque de cartón o madera contrachapada debajo del refrigerador.
4. Coloque el refrigerador en posición vertical. En primer lugar, coloque el borde inferior izquierdo del refrigerador en el piso, coloque el refrigerador en posición vertical y después baje el lado derecho del refrigerador hacia el piso.
5. Vuelva a ensamblar el adorno y la rejilla superior después de quitar la plataforma rodante del refrigerador.

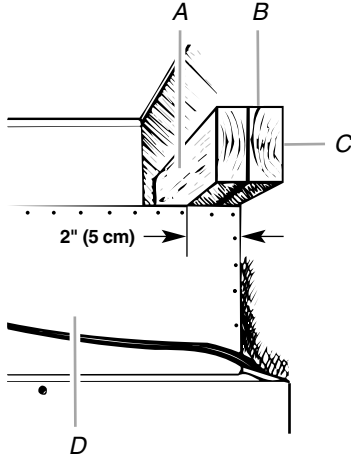
Cómo instalar los tableros antivuelco

IMPORTANTE:

- Para evitar la inclinación durante el uso, el plafón sólido deberá estar a 1" (2,5 cm) como máximo por encima del refrigerador. Si el plafón sólido está a una altura de más de 1" (2,5 cm) o no hay ninguno disponible, entonces el refrigerador deberá tener un soporte.
- Se recomienda que el (los) tablero(s) se instale(n) antes de la instalación del refrigerador.
- El (Los) tablero(s) deberá(n) ser suficientemente largo(s) para poder cubrir totalmente el ancho de la cubierta del compresor.
- Ubique el (los) tablero(s) de manera que la superficie inferior del (de los) tablero(s) esté a 84" (213 cm) del piso.
- Durante la instalación, eleve el refrigerador de manera que haya un máximo de ¼" (6,35 mm) entre la parte superior del refrigerador y el fondo del (de los) tablero(s) antivuelco. No aplaste la cubierta del compresor al levantar las patas niveladoras traseras.

Cómo instalar los tableros antivuelco

1. Señale las ubicaciones para los montantes en la pared trasera, de 80" a 90" (203 a 229 cm) por encima del piso.
2. Afiance con seguridad uno o dos de los tableros de 2" x 4" x 32" (5 cm x 10 cm x 81 cm) a los montantes de pared detrás del refrigerador. Use 6 tornillos para madera #8 x 3" (7,6 cm) (o más largos). Los tornillos para madera deberán atornillarse un mínimo de 1½" (3,8 cm) en los montantes. El (Los) tablero(s) debe(n) quedar superpuesto(s) encima de la cubierta del compresor.



- A. Tablero central a ¼" (6,35 mm) máximo por encima del refrigerador
 B. Dos tableros de 2" x 4" x 32" (5 cm x 10 cm x 81 cm)
 C. Afiance a los montantes con 6 tornillos #8 x 3" (7,6 cm)
 D. Cubierta del compresor

Conexión del suministro de agua

Lea todas las instrucciones antes de comenzar.

IMPORTANTE: Si enciende el refrigerador antes de conectar la tubería de agua, APAGUE la fábrica de hielo.

Conexión a la línea de agua

Piezas necesarias:

- Línea flexible de suministro de agua, con un mínimo de 7 pies (2,13 m), aprobada por los códigos

Estilo 1 - Conexión de la válvula de cierre

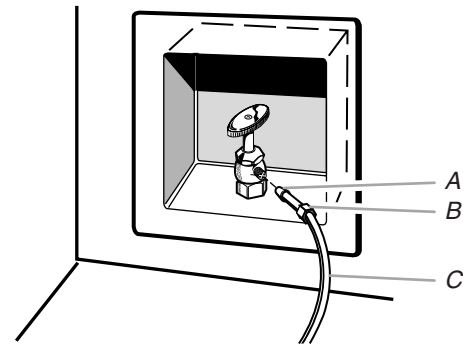
NOTA: Si la conexión de la tubería de agua de su casa no se parece al Estilo 1, vea "Estilo 2 - Conexión de la tubería de cobre".

1. Desenchufe el refrigerador o desconecte el suministro de energía.

IMPORTANTE: Antes de fijar la tubería a la válvula de cierre, enjuague la línea principal de suministro de agua para quitar las partículas y el aire de la tubería de agua. Deje correr bastante agua para que ésta se vea cristalina. El enjuagar la línea de agua puede ayudar a evitar que los filtros y/o las válvulas de agua se obstruyan.

2. Conecte la línea flexible de suministro de agua aprobada por los códigos a la válvula de cierre de agua enroscando la tuerca provista sobre la válvula de cierre, como se muestra.

NOTA: La válvula de cierre mostrada está en el armario lateral, como se recomienda.



- A. Bulbo
 B. Tuerca
 C. Tubería de agua

3. Coloque el extremo de la tubería en un balde y ABRA la válvula de cierre.
4. Revise si hay fugas. Apriete aquellas tuercas o conexiones que tengan fugas (incluidas las conexiones en la válvula).

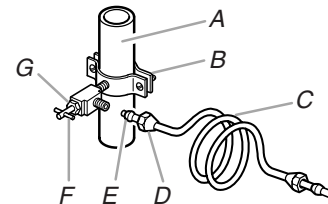
Estilo 2 - Conexión de la tubería de cobre

NOTA: Si existe una línea de suministro de agua que cumpla con las especificaciones en "Requisitos del suministro de agua", proceda con "Conexión al refrigerador". Si no es así, siga las instrucciones a continuación para conectarla al suministro de agua fría de la casa.

1. Desenchufe el refrigerador o desconecte el suministro de energía.
2. CIERRE el suministro principal de agua. ABRA la llave de agua más cercana el tiempo suficiente para que la tubería de agua se vacíe.
3. Busque una tubería vertical de agua fría de ½" a 1¼" (1,25 cm a 3,18 cm) cercana al refrigerador.

IMPORTANTE:

- Asegúrese de que sea una tubería de agua fría.
 - Una tubería horizontal funcionará, pero taladre por el lado de arriba de la tubería, no por debajo. Esto ayudará a mantener el agua alejada del taladro y también evita que se acumule sedimento normal en la válvula.
4. Determine la longitud de la tubería de cobre que necesite. Mida desde la conexión de la parte baja trasera izquierda del refrigerador hasta la tubería de agua. Agregue 7 pies (2,1 m) para la limpieza. Use tubería de cobre de ¼" (6,35 mm) de diámetro externo. Asegúrese que ambos extremos de la tubería de cobre están cortados rectos.
 5. Usando un taladro inalámbrico, perforo un orificio de ¼" (6,35 mm) en la tubería de agua fría que usted ha seleccionado.



- A. Tubería de agua fría
 B. Abrazadera para tubería
 C. Tubería de cobre
 D. Tuerca de compresión
 E. Manga de compresión
 F. Válvula de cierre
 G. Tuerca de presión

- Afiance la válvula de cierre a la tubería de agua fría con la abrazadera para tubería. Asegúrese que el extremo de salida esté firmemente insertado en el orificio taladrado de $\frac{1}{4}$ " (6,35 mm) en la tubería de agua y que la arandela esté por debajo de la abrazadera para tubería. Apriete la tuerca de presión. Apriete los tornillos de la abrazadera para tubería lentamente y en forma pareja de manera que la arandela provea un cierre hermético. No apriete demasiado.

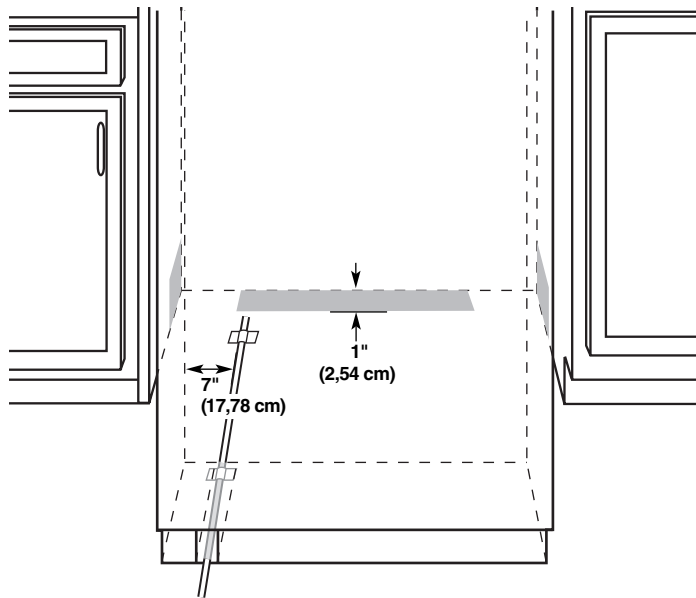
IMPORTANTE: Antes de fijar la tubería a la válvula de cierre, enjuague la línea principal de suministro de agua para quitar las partículas y el aire de la tubería de agua. Deje correr bastante agua para que ésta se vea cristalina. El enjuagar la tubería de agua puede ayudar a evitar que los filtros y/o las válvulas de agua se obstruyan.

- Deslice la manga de compresión y la tuerca de compresión sobre la tubería de cobre como se muestra. Inserte el extremo de la tubería en el extremo de salida en ángulo recto hasta donde sea posible. Atornille la tuerca de compresión en el extremo de salida usando la llave inglesa ajustable. No apriete demasiado la abrazadera o la manga. Se quebrará la tubería de cobre.
- Cierre la válvula de cierre del tubo de agua. Enrolle la tubería de cobre.
- Conecte la línea flexible de suministro de agua aprobada por los códigos a la válvula de cierre de agua enroscando la tuerca provista sobre la válvula de cierre.
- Coloque el extremo de la tubería en un balde y ABRA la válvula de cierre.
- Busque fugas alrededor de la válvula tipo montura. Apriete aquellas tuercas o conexiones que tengan fugas (incluidas las conexiones en la válvula).

Conexión al refrigerador

Piezas suministradas:

- Acoplamiento macho y macho, de $\frac{1}{4}$ " a $\frac{1}{4}$ " (6,35 mm a 6,35 mm)



NOTA: La línea flexible de suministro de agua aprobada según los códigos puede conectarse a la válvula de suministro a través del piso o a través de los armarios laterales, según se indica en las cajas grises más arriba.

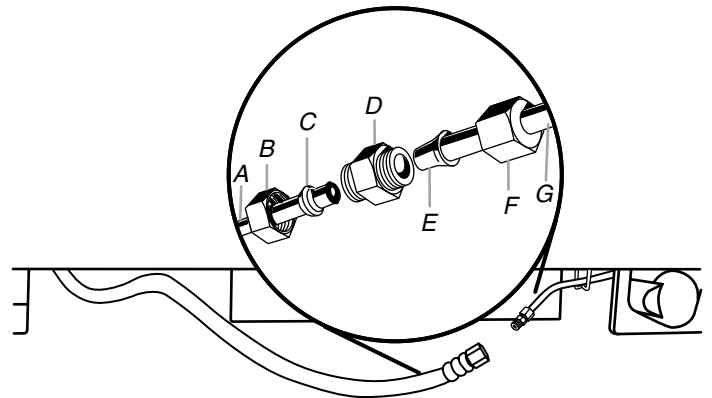
- Desenchufe el refrigerador o desconecte el suministro de energía.
- Conecte el tubo flexible de agua de 7 pies (2,13 m), aprobado según los códigos, a la válvula de suministro de agua.

- Enjuague la línea principal de suministro de agua para quitar las partículas y el aire de la misma. Deje correr bastante agua para que ésta se vea cristalina.
- Pegue con cinta al piso la línea flexible de suministro de agua de 7 pies (2,13 m) aprobada según los códigos, a 7" (17,78 cm) del lado izquierdo del refrigerador. Pegue con cinta a lo largo de la longitud de la tubería, lo que permitirá que ésta pase por debajo del refrigerador, sin hacer interferencia.

NOTA: Deje un mínimo de 26" (66,04 cm) de línea flexible de suministro de agua aprobada según los códigos para que quede floja en la parte frontal del refrigerador, para conectarla al mismo.

- Conecte la línea flexible de suministro de agua de 7 pies (2,13 m), aprobada según los códigos, al refrigerador.

NOTA: Si la válvula principal de cierre de agua está detrás del refrigerador, puede instalarse una válvula secundaria de cierre de agua alineada con la línea de suministro de agua, al frente del producto.



- | | |
|-----------------------------|-------------------------------------|
| A. Línea de agua de la casa | E. Bulbo |
| B. Tuerca (adquirida) | F. Tuerca |
| C. Fécula (adquirida) | G. Tubería de agua del refrigerador |
| D. Acoplamiento | |

- Abra la válvula de suministro de agua y verifique todas las conexiones para ver si hay fugas.

Cómo enchufar el refrigerador

⚠ ADVERTENCIA



Peligro de Choque Eléctrico

Conecte a un contacto de pared de conexión a tierra de 3 terminales.

No quite la terminal de conexión a tierra.

No use un adaptador.

No use un cable eléctrico de extensión.

No seguir estas instrucciones puede ocasionar la muerte, incendio o choque eléctrico.

- Coloque el interruptor de control en la parte superior del armario en la posición OFF (Apagado).
- Conecte a un contacto de pared de conexión a tierra de 3 terminales.

Cómo mover el refrigerador a su ubicación final

⚠ ADVERTENCIA



Peligro de Vuelco

El refrigerador puede volcarse cuando está siendo instalado debido a que la parte superior es pesada.

Mantenga las puertas cerradas con cinta hasta que el refrigerador esté completamente instalado.

Use dos o más personas para mover e instalar el refrigerador.

No seguir estas instrucciones puede ocasionar la muerte o herida seria.

IMPORTANTE: Antes de mover el refrigerador y para evitar daños al piso, asegúrese que las patas niveladoras están levantadas (no están tocando el piso) y que el refrigerador se encuentra sobre los rodillos.

1. Coloque la parte superior del empaque de cartón o madera contrachapada debajo del refrigerador. Quite la plataforma rodante.
2. No quite la película o cubierta.
3. Empuje el refrigerador directamente hacia atrás y en forma pareja hacia el interior de la abertura. Asegúrese de que los adornos laterales del refrigerador no interfieran con la abertura de la puerta. También asegúrese de que la tubería de agua no esté torcida y que el cable de suministro de energía esté encima del refrigerador.

Nivelación y alineamiento del refrigerador

⚠ ADVERTENCIA



Peligro de Vuelco

El refrigerador puede volcarse cuando está siendo instalado debido a que la parte superior es pesada.

Mantenga las puertas cerradas con cinta hasta que el refrigerador esté completamente instalado.

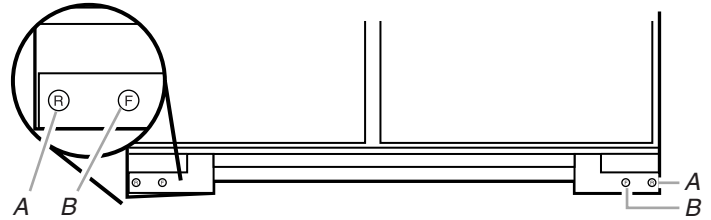
Use dos o más personas para mover e instalar el refrigerador.

No seguir estas instrucciones puede ocasionar la muerte o herida seria.

IMPORTANTE: Las cuatro patas niveladoras deberán hacer contacto con el piso para soportar y estabilizar el peso total del refrigerador. Los rodillos se usan para mover el refrigerador y no como un soporte permanente.

Después de mover el refrigerador a su ubicación final:

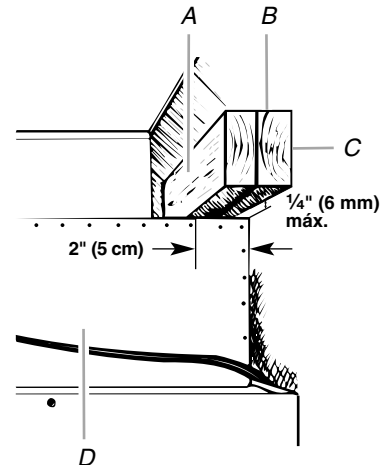
1. Use una llave de cubo de $\frac{5}{16}$ " para girar los pernos niveladores hacia la derecha y extender las patas hasta el piso, como se muestra. Los rodillos no deberán hacer contacto con el piso.



A. Perno nivelador trasero
B. Perno nivelador frontal

2. Ajuste las patas niveladoras para nivelar y alinear el refrigerador de izquierda a derecha y de adelante hacia atrás de modo tal que el refrigerador esté nivelado y alineado con los armarios. La superficie de los armarios debe estar a plomo para lograr un ajuste ideal del adorno lateral del refrigerador.
3. Continúe ajustando todas las patas niveladoras para levantar el refrigerador hasta que la parte superior esté al menos dentro de 1" (2,54 cm) del plafón superior.

NOTA: Si se ha utilizado un tablero anti-vuelco, ajuste las patas niveladoras hasta que la parte superior del refrigerador esté dentro de $\frac{1}{4}$ " (6,35 mm) de la parte inferior del tablero anti-vuelco, como se muestra. No aplaste la tapa del compresor.



A. Tablero central $\frac{1}{4}$ " (6,35 mm) máximo arriba del refrigerador
B. Dos tableros de 2" x 4" x 32" (5 cm x 10 cm x 81 cm)
C. Ajuste a los pies derechos con seis tornillos #8 x 3" (7,6 cm)
D. Tapa del compresor

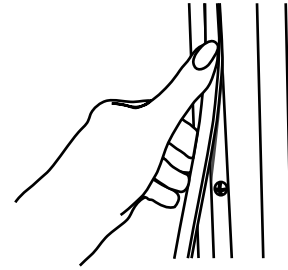
4. Para los modelos Classic y Overlay, es posible que sea necesario realizar ajustes adicionales después de instalar los paneles a la medida.

Cómo instalar los paneles a la medida para la serie Overlay

IMPORTANTE:

- Instale las agarraderas a la medida antes de instalar los paneles en el refrigerador. Para obtener más información sobre la selección de agarraderas a la medida de Jenn-Air, consulte el catálogo de Jenn-Air, visite el sitio www.jennair.com o llame al **1-800-JENNAIR (1-800-536-6247)**. En Canadá, visite www.jennair.ca o llame al **1-800-807-6777**.
- Cree paneles recubiertos para puerta de acuerdo a las especificaciones en la sección "Paneles a la medida para la serie Overlay".
- Jenn-Air no es responsable de la remoción o adición de molduras o paneles decorativos que pudieran impedir el acceso al refrigerador para darle servicio.

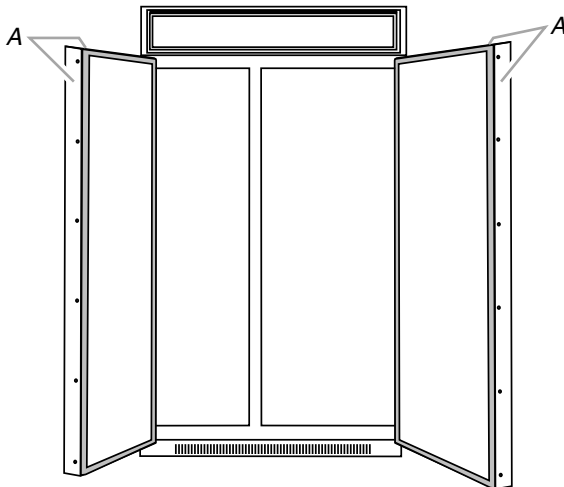
5. Vuelva a instalar el lado de la manija y los adornos superiores.
6. Quite la capa protectora de las cubiertas de los tornillos. Deslice o encaje las cubiertas de los tornillos en la sección del adorno de la manija.



7. Verifique la nivelación y la alineación del refrigerador. Ajuste de ser necesario.

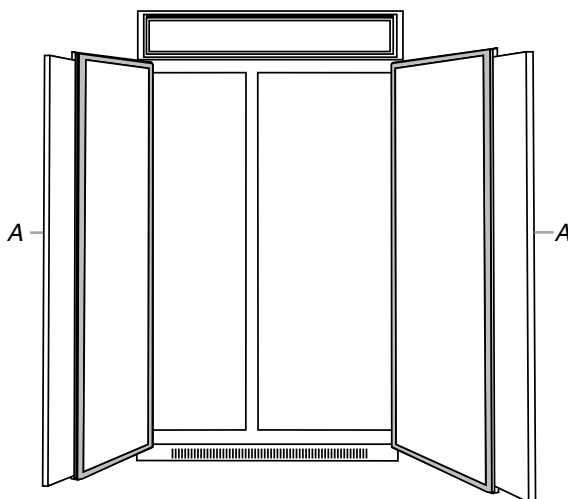
Instalación del panel de la puerta

1. Quite toda la cinta adhesiva y los refuerzos de las puertas del refrigerador y del congelador.
2. Abra las puertas de compartimento del refrigerador y del congelador.
3. Quite el lado de la manija y los adornos superiores.



A. Adornos

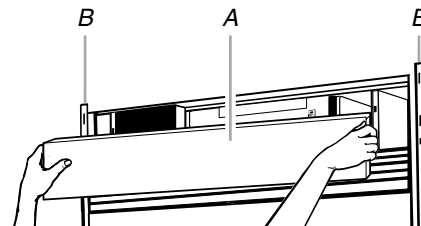
4. Deslice los paneles a la medida en la parte inferior y en el lado de la bisagra de los adornos en el compartimento del refrigerador y las puertas del compartimento del congelador, asegurándose de que el panel de soporte encaja dentro de la bisagra de los adornos laterales.



A. Paneles

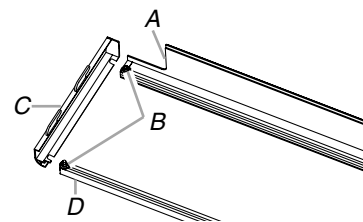
Panel de la rejilla superior

1. Tome ambos extremos de la rejilla superior.
2. Empuje hacia arriba y luego tire directamente hacia afuera. Coloque la rejilla superior con el lado del panel hacia abajo sobre una superficie de trabajo blanda.



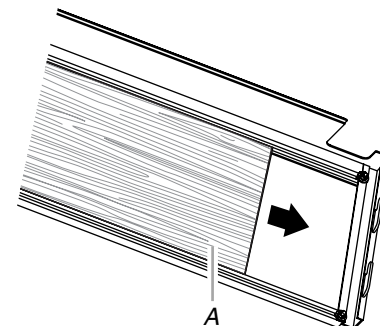
A. Rejilla superior
B. Adorno lateral del armario

3. Quite una cubierta del borde aflojando las tuercas y deslizándola hacia afuera.



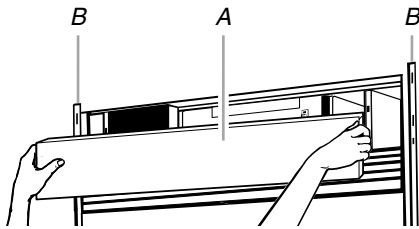
A. Riel inferior
B. Tuercas
C. Cubierta del borde
D. Riel superior

4. Deslice el panel de soporte dentro del canal de la rejilla superior y vuelva a colocar la cubierta de borde.



A. Panel de soporte

- Vuelva a colocar la rejilla superior en los adornos laterales del armario y empuje ligeramente hacia abajo el panel para trabarlo en su lugar.



A. Rejilla superior
B. Adorno lateral del armario

Ajuste las puertas

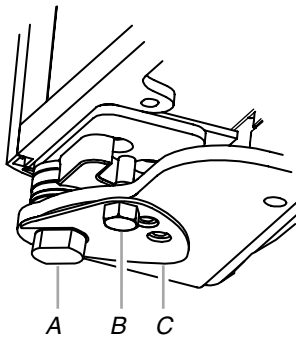
Cómo ajustar la altura de la puerta

Siga los pasos a continuación para ajustar la altura de la puerta, hacia arriba o hacia abajo, una vez que se nivelaron las puertas.

- Abra la puerta del congelador o del refrigerador. Localice la bisagra inferior y quite el tornillo de tope de la puerta.

Estilo Euro y Pro®

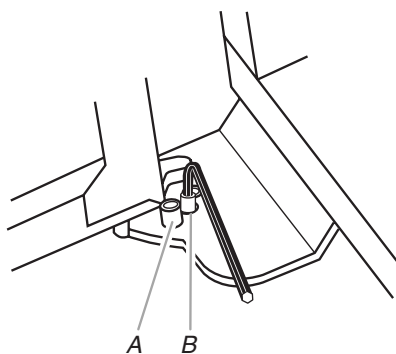
Saque el tornillo del retén de la puerta del lado inferior de la bisagra usando una llave de extremo abierto de $\frac{3}{8}$ ".



A. Casquillo
B. Tornillo del retén de la puerta
C. Placa de fijación

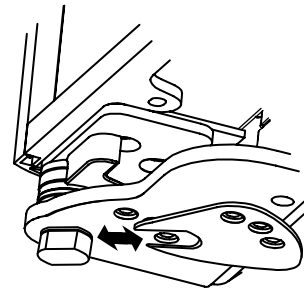
Estilo Overlay

Quite los dos tornillos del retén de la puerta: uno del lado inferior, usando una llave de boca de $\frac{3}{8}$ ", y uno del lado superior, usando una llave hexagonal en L de $\frac{5}{32}$ ".



A. Tornillo del retén de la puerta del lado inferior
B. Tornillo del retén de la puerta del lado superior (110°)

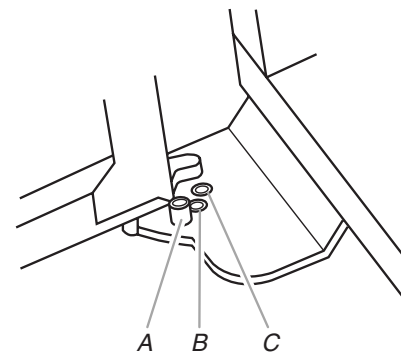
- Quite la placa de fijación, como se muestra.



- Usando la llave de boca de $\frac{1}{2}$ " haga girar al casquillo ubicado debajo de la parte inferior de la bisagra. Si gira el casquillo a la izquierda hará bajar la puerta. Si gira el casquillo hacia la derecha hará subir la puerta.
 - Después del ajuste asegúrese que las puertas estén parejas arriba y abajo. Si las puertas no están parejas, siga haciendo girar el casquillo hasta ajustar la altura de las puertas.
 - Vuelva a colocar la placa de fijación.
 - Mueva ligeramente el casquillo para alinear los orificios de tornillo de la bisagra y de la placa de fijación.
 - Vuelva a colocar el o los tornillos del retén de la puerta y apriételes.
- IMPORTANTE:** En los modelos de la Serie Overlay, no coloque el tornillo del retén de la puerta en una posición de 130° a menos que los paneles a la medida se hayan contorneado del lado de la bisagra. Vea "Espacio para el panel de la puerta y para los amarios de la serie Overlay".
- Haga una verificación final para asegurarse de que las puertas estén alineadas y parejas.

Cómo ajustar la oscilación de las puertas

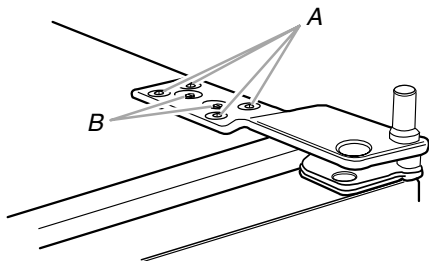
- Verifique que la puerta del refrigerador abra con toda libertad. Si la puerta se abre demasiado, quite el tornillo o los tornillos (dependiendo de su modelo) de tope de la puerta de la bisagra inferior. Vea "Ajuste de la altura de la puerta" anteriormente en esta sección.
- Sostenga la puerta abierta en un ángulo menor de 90°.
- Vuelva a colocar el tornillo o tornillos de retención de la puerta en la bisagra inferior y apriételes.



A. 130°
B. 110° (serie Overlay)
C. 90°

Ajuste del adorno de puerta a puerta o de la puerta al refrigerador

1. Afloje pero no quite los cuatro tornillos de montaje de cabeza plana Torx® 27 y los dos tornillos de montaje de cabeza hexagonal de ¼".
2. Ajuste la bisagra superior de cualquiera de las puertas para alinearla con la otra puerta o con el adorno del refrigerador.
3. Vuelva a apretar los cuatro tornillos de montaje de cabeza plana Torx® 27 a una torsión de aproximadamente 100 lbs/pulg (11,3 Nm) y apriete los dos tornillos de montaje de cabeza hexagonal de ¼".



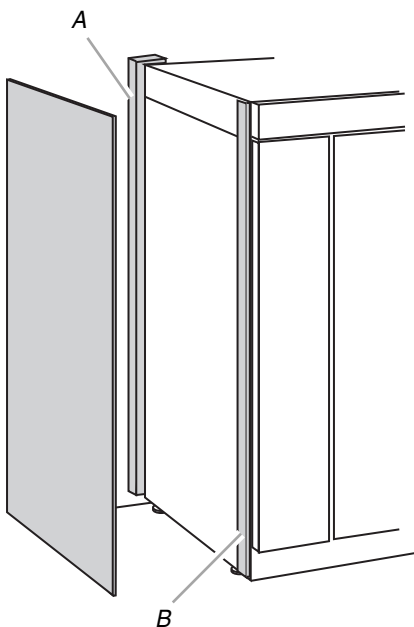
A. Tornillos de montaje de cabeza plana Torx® 27
B. Tornillos de montaje de cabeza hexagonal de ¼"

Cómo instalar el panel lateral

Si la profundidad del área para empotrar es de 25" (63,5 cm) o más, los paneles laterales pueden instalarse dentro del adorno lateral o afianzarse a la parte externa del adorno lateral.

IMPORTANTE: Jenn-Air no es responsable de la remoción o adición de molduras o paneles decorativos que pudieran impedir el acceso al refrigerador para darle servicio.

1. Para la pieza que va dentro del adorno lateral, deslice el borde delantero del lado contorneado del panel dentro de la pieza de adorno.
2. Clave el borde trasero del panel al tablero de soporte.



A. Tablero de soporte (montado en la pared posterior)
B. Pieza de adorno lateral del armario

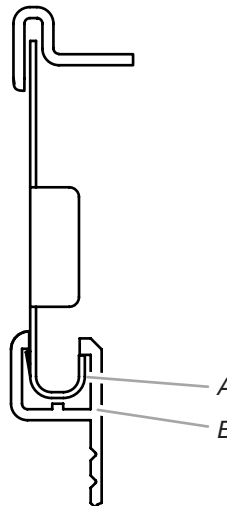
Cómo instalar la rejilla de la base

Hay dos piezas en la rejilla de la base para permitir un encaje a la medida: la base de la rejilla misma y el faldón. Se puede agregar el faldón a la rejilla de la base para extenderla completamente hasta el piso.

1. Para ver si se necesita el faldón, coloque la rejilla de la base en su posición. No fije la rejilla de la base al refrigerador. Mida la distancia entre la parte inferior de la rejilla de la base y el piso. El espacio debe ser de ½" (1,27 cm) como mínimo para agregar el faldón.

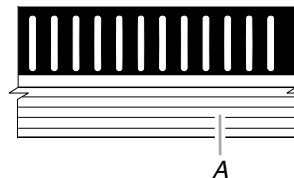
NOTA: Si el espacio mide menos de ½" (1,27 cm), saltee los pasos 3 y 4 de las instrucciones e instale solamente la rejilla de la base.

2. Saque la película protectora de la rejilla de la base.
3. Encaje a presión el faldón sobre la rejilla de la base.



A. Rejilla de la base
B. Faldón

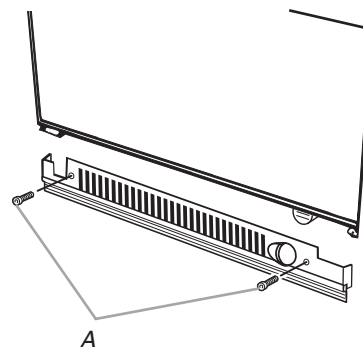
4. Recorte el faldón trazando la muesca apropiada en forma de "V" apropiada, con un cuchillo para uso general. Parta el faldón en la línea trazada.



A. Muesca en "V"

5. Usando los dos tornillos, fije el ensamblaje de la rejilla de la base al refrigerador, como se muestra.

NOTA: Atornille primero el tornillo del lado derecho.



A. Tornillos (2)

Cómo terminar la instalación

1. Gire la válvula de la tubería de alimentación de agua a la posición "Abierta".
2. Gire el interruptor del refrigerador a la posición ON (Encendido). Vea la sección "Interruptor de Encendido/Apagado" en el Manual de uso y cuidado, para las instrucciones. Espere unos minutos. Busque fugas en las conexiones de la tubería de agua.
3. Quite todas las cajas, paquetes de partes y materiales de empaque del interior del refrigerador. Vea la sección "Limpieza" en el Manual de uso y cuidado, para las instrucciones. Quite la película y el cartón protector de la rejilla y de las puertas o marco de la puerta, según su modelo.
4. Instale los estantes y recipientes en los compartimientos del refrigerador y del congelador.
5. Los controles están prefijados de fábrica en su posición intermedia. Verifique que el compresor esté funcionando correctamente y que todas las luces funcionen.
6. Enjuague el sistema de agua antes de utilizarlo. Vea "Preparación del sistema de agua".

Para obtener el uso más eficiente de su nuevo refrigerador empotrado, lea el Manual de uso y cuidado. Conserve las Instrucciones de instalación y el Manual de uso y cuidado cerca del refrigerador empotrado para una consulta fácil.

Preparación del sistema de agua

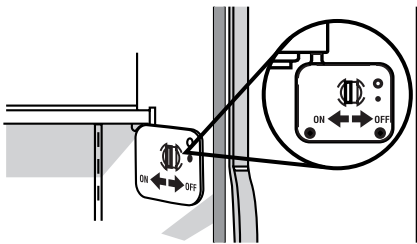
Sírvase leer antes de usar el sistema de agua. Siga las indicaciones que sean específicas para su modelo.

Estilo 1 – Modelos con despachador

IMPORTANTE: Después de conectar el refrigerador al suministro de agua o de reemplazar el filtro de agua, siga los pasos a continuación para asegurarse de que se limpie adecuadamente el sistema de agua. Esto eliminará el aire en el filtro y en el sistema de despachado de agua, y preparará el filtro de agua para ser usado.

El interruptor de On/Off (Encendido/Apagado) se encuentra en el lado derecho superior del compartimiento del congelador.

1. Abra la puerta del congelador y apague la fábrica de hielo. Mueva el interruptor a la posición de OFF (Apagado – hacia la derecha) como se muestra.



NOTA: Si su modelo tiene un sistema de filtro de la rejilla de la base, asegúrese de que el filtro de la rejilla de la base esté instalado adecuadamente y que la tapa esté en la posición horizontal.

No use con agua que no sea microbiológicamente segura o que sea de calidad desconocida sin desinfectarla adecuadamente antes o después del sistema. Pueden usarse sistemas certificados para la reducción de quistes en aguas desinfectadas que puedan contener quistes filtrables.

2. Use un recipiente resistente para oprimir y sostener la barra del despachador por 5 segundos, luego suéltela por 5 segundos. Repita hasta que el agua comience a correr. Una vez que el agua haya comenzado a correr, continúe presionando y soltando la barra del despachador (5 segundos activado, 5 segundos desactivado) hasta despachar un total de 3 gal. (12 L). Esto eliminará el aire en el filtro y en el sistema de despachado de agua, y preparará el filtro de agua para ser usado. En algunas casas se podrá requerir enjuague adicional.

NOTA: A medida que sale aire del sistema, es posible que salgan chorros de agua repentinos del despachador.

3. Abra la puerta del congelador y ponga la fábrica de hielo a funcionar. Mueva el interruptor a la posición de ON (Encendido - hacia la izquierda).
 - Deje transcurrir 24 horas para la producción de la primera tanda de hielo.
 - Deshágase de las tres primeras tandas de hielo producido.
 - Dependiendo de su modelo, puede ser que Ud. desee elegir la característica máxima de hielo para incrementar la producción de hielo.

Estilo 2 – Modelos sin despachador

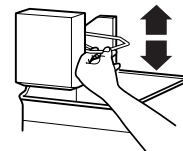
IMPORTANTE: Después de conectar el refrigerador a un suministro de agua o de reemplazar el filtro de agua, llene y deseche dos recipientes llenos de hielo para preparar el filtro de agua para su uso, antes de usar el hielo.

No use con agua que no sea microbiológicamente segura o que sea de calidad desconocida sin desinfectarla adecuadamente antes o después del sistema. Pueden usarse sistemas certificados para la reducción de quistes en aguas desinfectadas que puedan contener quistes filtrables.

1. Encienda la fábrica de hielo. Baje el brazo de cierre de alambre como se muestra. Vea la sección "Fábrica de hielo y depósito" para obtener más instrucciones sobre el funcionamiento de su fábrica de hielo.

NOTAS:

- Deje transcurrir 24 horas para la producción del primer lote de hielo.
- Deje transcurrir 3 días para que se vuelva a llenar el recipiente de hielo.
- Dependiendo de su modelo, puede ser que Ud. desee elegir la característica de producción máxima de hielo para incrementar la producción de hielo.



NOTA: Si su modelo tiene un sistema de filtro de la rejilla de la base, asegúrese de que el filtro de la rejilla de la base esté instalado adecuadamente y que la tapa esté en la posición horizontal.

SÉCURITÉ DU RÉFRIGÉRATEUR

Votre sécurité et celle des autres est très importante.

Nous donnons de nombreux messages de sécurité importants dans ce manuel et sur votre appareil ménager. Assurez-vous de toujours lire tous les messages de sécurité et de vous y conformer.



Voici le symbole d'alerte de sécurité.

Ce symbole d'alerte de sécurité vous signale les dangers potentiels de décès et de blessures graves à vous et à d'autres.

Tous les messages de sécurité suivront le symbole d'alerte de sécurité et le mot "DANGER" ou "AVERTISSEMENT". Ces mots signifient :

⚠ DANGER

Risque possible de décès ou de blessure grave si vous ne suivez pas immédiatement les instructions.

⚠ AVERTISSEMENT

Risque possible de décès ou de blessure grave si vous ne suivez pas les instructions.

Tous les messages de sécurité vous diront quel est le danger potentiel et vous disent comment réduire le risque de blessure et ce qui peut se produire en cas de non-respect des instructions.

⚠ AVERTISSEMENT



Risque de basculement

Le réfrigérateur est lourd au sommet et bascule facilement lorsqu'il n'est pas complètement installé.

Garder les portes fermées avec un ruban adhésif jusqu'à l'installation complète du réfrigérateur.

Utiliser deux ou plus de personnes pour déplacer et installer le réfrigérateur.

Le non-respect de ces instructions peut causer un décès ou une blessure grave.

MODÈLES

Réfrigérateurs sans distributeur



Modèle Euro-Style

Se caractérise par des portes recouvertes d'une plaque en acier inoxydable et des poignées faisant office de porte-serviettes.

JS42SEFXDB JS48SEFXDB



Modèle Pro-Style®

Se caractérise par des portes recouvertes d'une plaque en acier inoxydable et des poignées Pro-Style® à motif de diamant.

JS42PPFXDB JS48PPFXDB



Modèle Overlay

Utilise des panneaux et des accessoires personnalisés pour une apparence uniforme. L'ensemble s'accorde ainsi avec les meubles de votre cuisine.

JS42CXFXDB JS48CXFXDB



Modèle Euro-Style

Se caractérise par des portes recouvertes d'une plaque en acier inoxydable et des poignées faisant office de porte-serviettes.

JS42SEDUDB JS48SEDUDB



Modèle Pro-Style®

Se caractérise par des portes recouvertes d'une plaque en acier inoxydable et des poignées Pro-Style® à motif au diamant.

JS42PPDUB JS48PPDUB



Modèle Overlay

Utilise des panneaux et des accessoires personnalisés pour une apparence uniforme. L'ensemble s'accorde ainsi avec les meubles de votre cuisine.

JS42CXDBDB JS42CXDUDB
JS48CXDBDB JS48CXDUDB

EXIGENCES D'INSTALLATION

Outillage et pièces

IMPORTANT :

- Installateur : Remettre les instructions d'installation au propriétaire.
- Propriétaire : Conserver les instructions d'installation pour référence ultérieure. Conserver ces instructions d'installation pour consultation par l'inspecteur local des installations électriques.

OUTILLAGE REQUIS :

Rassembler les outils et pièces nécessaires avant de commencer l'installation. Lire et suivre les instructions fournies avec les outils indiqués ici :

- | | |
|---------------------------------|--|
| ■ Perceuse sans fil | ■ Tournevis Torx® T27 |
| ■ Forets | ■ Tourne-écrou de 1 ¹ / ₃₂ " |
| ■ Deux clés à molette | ■ Clés plates de 3/8" et 1/2" |
| ■ Tournevis Phillips | ■ Clé à tête hexagonale de 5/32" |
| ■ Petit niveau | ■ Clé à douille, avec douilles de 1/4" et 5/16" |
| ■ Chariot pour appareil ménager | ■ Mètre-ruban |
| | ■ Couteau utilitaire |

PIÈCES NÉCESSAIRES :

- Six vis à bois n° 8 x 3" (7,6 cm) (il peut être nécessaire d'utiliser des vis plus longues)
- Une ou deux planche(s) de bois de 2" x 4" x 32" (5 cm x 10 cm x 81 cm)
- Série Overlay : Fabriquer des panneaux personnalisés ou consulter un ébéniste ou menuisier qualifié pour la fabrication des panneaux. Voir "Panneaux personnalisés de la série Overlay" pour plus d'information.
Les produits des séries Pro-Style® et Euro-Style sont fournis complets.
- Dans le cas d'un raccordement direct de la canalisation d'eau au tube de cuivre et non à un robinet d'arrêt, on doit disposer d'un raccord à compression de 1/4" (6,35 mm) avec virole et raccord union.

Exigences d'emplacement

Le réfrigérateur peut être encastré dans une ouverture entre les placards ou installé à l'extrémité d'une enfilade de placards en utilisant un panneau latéral pour encadrer le réfrigérateur.

⚠ AVERTISSEMENT



Risque d'explosion

Garder les matériaux et les vapeurs inflammables, telle que l'essence, loin du réfrigérateur.

Le non-respect de cette instruction peut causer un décès, une explosion ou un incendie.

IMPORTANT :

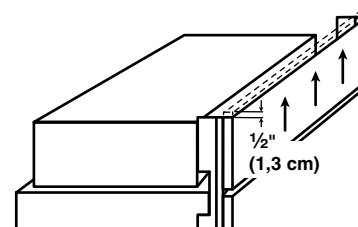
- Observer tous les codes et règlements en vigueur.
- Il est recommandé de ne pas installer le réfrigérateur près d'un four, d'un radiateur ou de toute autre source de chaleur.
- Ne pas installer le réfrigérateur dans un endroit où la température baissera au-dessous de 55°F (13°C).
- Le plancher doit supporter le poids du réfrigérateur, soit plus de 600 lb (272 kg), en plus des panneaux de porte et du contenu du réfrigérateur.
- La hauteur du plafond doit être suffisante pour le rayon de basculement latéral. Voir "Rayon de basculement".
- L'emplacement doit permettre l'ouverture complète des portes. Voir "Dimensions pour l'ouverture des portes".
- L'emplacement doit permettre d'enlever la grille supérieure. Voir "Dimensions de l'ouverture".

Dimensions de l'ouverture

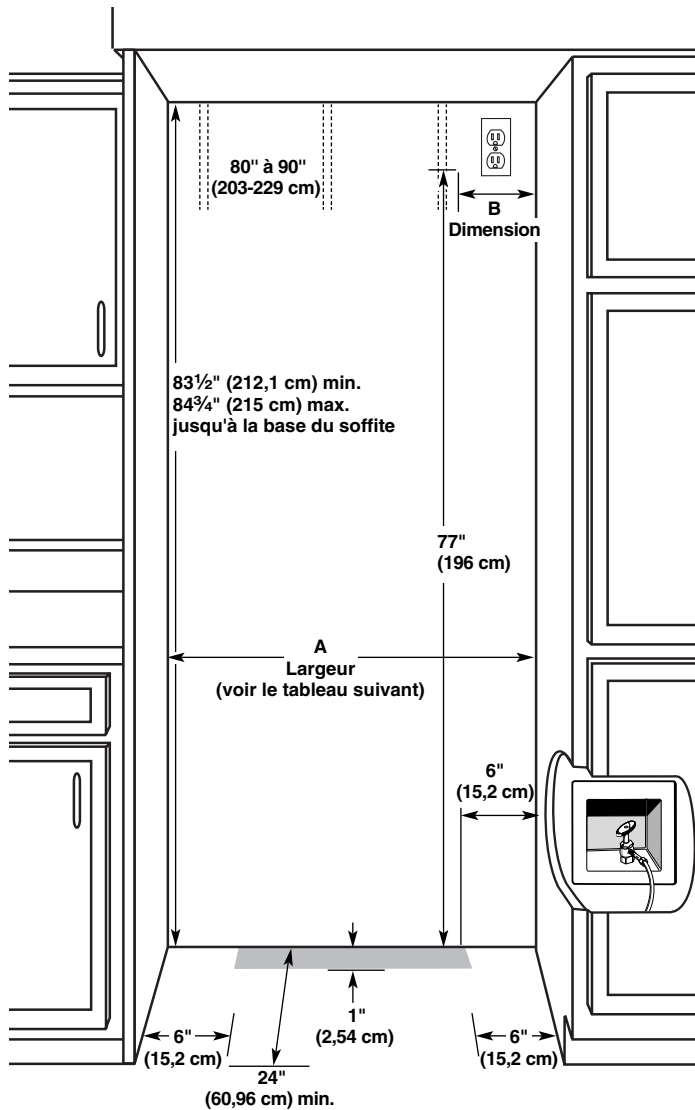
- Pour éviter le basculement pendant l'utilisation, le soffite massif doit se trouver à 1" (2,5 cm) maximum au-dessus du réfrigérateur. Si le soffite massif se trouve à plus de 1" (2,5 cm) ou si un soffite n'est pas disponible, le réfrigérateur doit être arimé.

Si des planches antibasculement sont nécessaires, elles doivent être fixées aux poteaux de colombage du mur arrière de 80" à 90" (203 à 229 cm) au-dessus du plancher. Voir "Installation de planches antibasculement" pour plus d'information.

REMARQUE : Un dégagement de 1/2" (1,3 cm) doit être maintenu au-dessus de la grille supérieure pour que la grille supérieure puisse être enlevée.



- Une prise de courant à 3 alvéoles reliée à la terre devrait être installée à une distance donnée du côté droit des placards ou du panneau d'extrémité. Voir le tableau en dessous de l'illustration pour la distance nécessaire pour votre modèle. Voir "Spécifications électriques" pour plus d'information.
- Le robinet d'arrêt devrait se trouver dans le placard inférieur, d'un côté ou l'autre du réfrigérateur ou à un autre endroit facilement accessible. Si le robinet d'arrêt n'est pas dans les placards, la plomberie pour la canalisation d'alimentation peut être acheminée à travers le plancher ou le mur arrière. Voir "Spécifications de l'alimentation en eau" pour plus d'information.



Modèle	Largeur A (tel qu'illustré ci-dessus)	Dimension B (tel qu'illustré ci-dessus)
42	41½" (105,4 cm) à 41¾" (106,1 cm)	10" (25,4 cm)
48	47½" (120,7 cm) à 47¾" (121,3 cm)	16" (40,6 cm)

REMARQUE : Le plancher sous le réfrigérateur doit être au même niveau que le plancher de la pièce. La surface du placard doit être d'aplomb.

Spécifications électriques

⚠ AVERTISSEMENT



Risque de choc électrique

Brancher sur une prise à 3 alvéoles reliée à la terre.

Ne pas enlever la broche de liaison à la terre.

Ne pas utiliser un adaptateur.

Ne pas utiliser un câble de rallonge.

Le non-respect de ces instructions peut causer un décès, un incendie ou un choc électrique.

Avant de placer le réfrigérateur à son emplacement final, il est important de vous assurer d'avoir la connexion électrique appropriée.

Méthode recommandée de mise à la terre

Une source d'alimentation de 115 volts, 60 Hz, type 15 ou 20 amp CA seulement, protégée par fusible et adéquatement mise à la terre est nécessaire. Il est recommandé d'utiliser un circuit distinct pour alimenter uniquement votre réfrigérateur. Utiliser une prise murale qui ne peut être mise hors circuit à l'aide d'un commutateur. Ne pas utiliser de cordon de rallonge.

IMPORTANT : Si ce produit est connecté à une prise protégée par un disjoncteur de fuite à la terre, un déclenchement intempestif peut se produire et causer une perte de refroidissement. La qualité et la saveur des aliments risquent d'être affectées. Si un déclenchement intempestif se produit et si les aliments semblent de piètre qualité, jeter le tout.

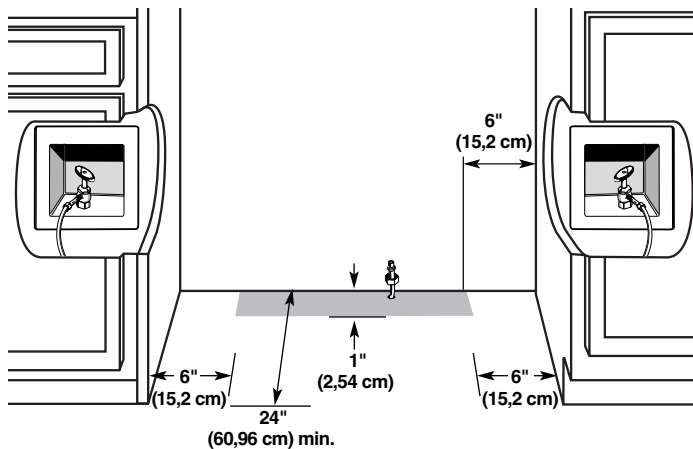
REMARQUE : Avant d'exécuter tout type d'installation, nettoyage ou remplacement d'une ampoule d'éclairage, enlever la grille supérieure et mettre l'interrupteur général d'alimentation à OFF (arrêt) ou déconnecter la source de courant électrique au boîtier de disjoncteurs.

Lorsque vous avez terminé, mettre l'interrupteur général d'alimentation à ON (marche) ou reconnecter la source de courant électrique au boîtier de disjoncteurs. Puis remettre la commande au réglage désiré.

Spécifications de l'alimentation en eau

- Toutes les installations doivent être conformes aux exigences des codes locaux de plomberie.
- Le robinet d'arrêt doit se trouver dans le placard inférieur, d'un côté ou de l'autre du réfrigérateur ou à un autre endroit facilement accessible. Le côté droit est recommandé. Le trou d'accès à travers le placard doit se trouver à ½" (12,7 mm) maximum du mur arrière.

REMARQUE : Si le robinet d'arrêt est placé dans le mur arrière derrière le réfrigérateur, il faut qu'il soit incliné à un angle approprié pour que le tube ne subisse pas de déformation/écrasement lorsqu'on pousse le réfrigérateur jusqu'à sa position finale.



- Si le robinet d'arrêt de la canalisation d'eau n'est pas installé dans les placards, la canalisation d'eau peut parvenir au réfrigérateur à travers le plancher. Un trou de ½" (12,7 mm) pour la plomberie doit être percé à 6" (15,2 cm) minimum du placard de gauche ou de droite ou du panneau. Sur le plancher, le trou ne doit pas se trouver à plus de 1" (2,54 cm) du mur arrière. Voir "Raccordement de la canalisation d'eau".
- Si un tube supplémentaire est nécessaire, utiliser un tube en cuivre et vérifier s'il y a des fuites. Installer les tuyaux en cuivre seulement là où les températures domestiques resteront au-dessus du point de congélation.
- Ne pas employer de robinet d'arrêt à étrier de ⅜" (4,76 mm) ou de type à percer, ce qui réduit le débit d'eau et cause une obstruction plus facilement.

REMARQUE : Votre marchand de réfrigérateurs offre une trousse avec un robinet d'arrêt à étrier de ¼" (6,35 mm), un raccord et un tube en cuivre. Avant l'achat, s'assurer que le robinet d'arrêt à étrier est conforme aux codes locaux de plomberie.

Pression de l'eau

Une alimentation en eau froide avec une pression entre 30 et 120 lb/po² (207 et 827 kPa) est nécessaire pour faire fonctionner le distributeur d'eau et la machine à glaçons. Si vous avez des questions au sujet de la pression de votre eau, appeler un plombier qualifié agréé.

Alimentation en eau par osmose inverse

IMPORTANT : La pression de l'alimentation en eau entre le système d'osmose inverse et la valve d'arrivée d'eau du réfrigérateur doit être entre 30 et 120 lb/po² (207 à 827 kPa).

Si un système de purification de l'eau par osmose inverse est raccordé à votre alimentation en eau froide, la pression de l'eau au système doit être d'un minimum de 40 à 60 lb/po² (276 à 414 kPa).

Si la pression de l'eau au système d'osmose inverse est inférieure à 40 à 60 lb/po² (276 à 414 kPa) :

- Vérifier que le filtre du système d'osmose inverse n'est pas bloqué et le remplacer si nécessaire.
- Laisser le réservoir du système d'osmose inverse se remplir après une utilisation intense.
- Si votre réfrigérateur a une cartouche de filtre à eau, celle-ci peut réduire encore plus la pression de l'eau lorsqu'elle est utilisée avec un système d'osmose inverse. Retirer la cartouche du filtre à eau.

Si vous avez des questions au sujet de la pression de votre eau, appeler un plombier qualifié agréé.

Rayon de basculement

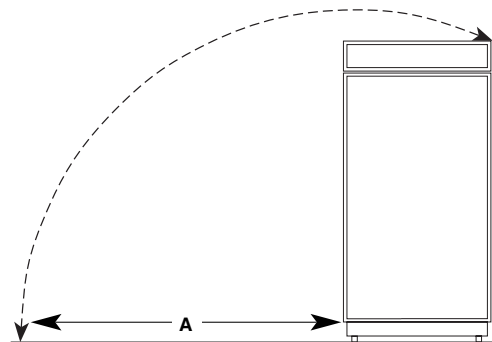
S'assurer que la hauteur du plafond est suffisante pour mettre le réfrigérateur en position verticale lorsqu'il est mis dans son emplacement.

- Si le réfrigérateur est installé sur un chariot, on doit ajouter la hauteur des roues du chariot au rayon de basculement.
- Si nécessaire, on peut réduire le rayon de basculement. Voir la section "Réduction du rayon de basculement".

Rayon de basculement latéral

Le rayon de basculement latéral varie en fonction de la largeur du modèle. Utiliser le tableau fourni pour déterminer le rayon de basculement latéral.

REMARQUE : Faire basculer sur le côté uniquement.



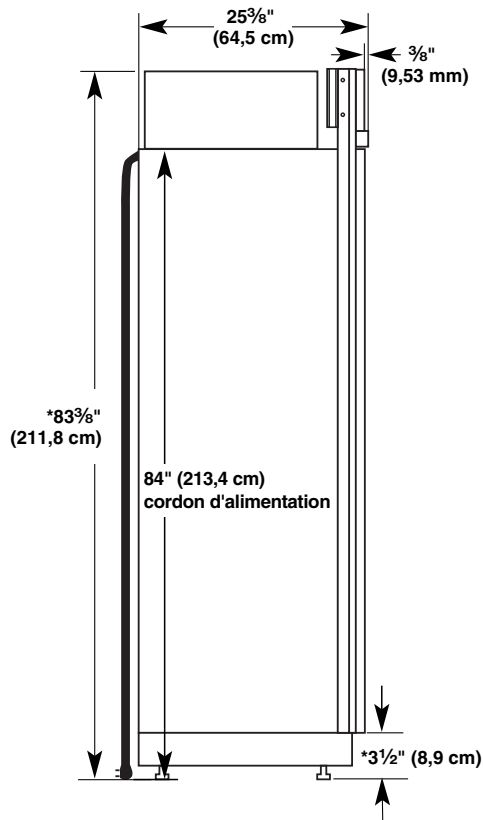
Modèle	Rayon de basculement A
42	93" (236,2 cm)
48	96" (243,8 cm)

Dimensions du produit

Vue latérale

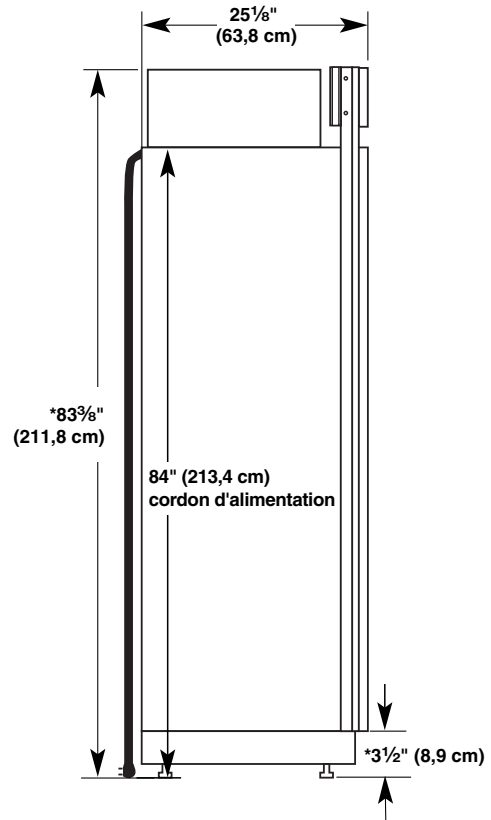
- La profondeur de l'avant de la grille supérieure à l'arrière de la caisse du réfrigérateur est de 25 $\frac{3}{8}$ " (64,5 cm) pour les styles Euro et Pro-Style®. La profondeur du style Overlay est de 25 $\frac{1}{8}$ " (63,8 cm) sans les panneaux personnalisés.
- Le cordon d'alimentation mesure 84" (213 cm) de long.
- La canalisation d'eau fixée à l'arrière du réfrigérateur mesure 5 pi (1,5 m) de long.
- Les dimensions de hauteur indiquées correspondent à la situation où les pieds de réglage de l'aplomb déployés dépassent de $\frac{1}{8}$ " (3 mm) au-dessous des roulettes.

Style Euro et Pro-Style®



*Lorsque les pieds de réglage de l'aplomb sont totalement déployés de 1 $\frac{1}{4}$ " (3,2 cm) au-dessous des roulettes, ajouter 1 $\frac{1}{8}$ " (2,9 cm) à la hauteur totale.

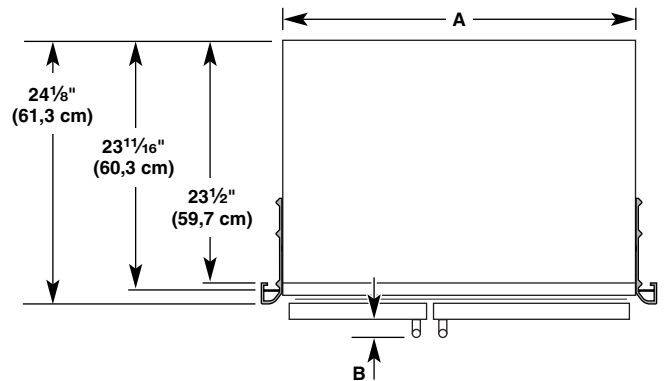
Style Overlay



*Lorsque les pieds de réglage de l'aplomb sont totalement déployés de 1 $\frac{1}{4}$ " (3,2 cm) au-dessous des roulettes, ajouter 1 $\frac{1}{8}$ " (2,9 cm) à la hauteur totale.

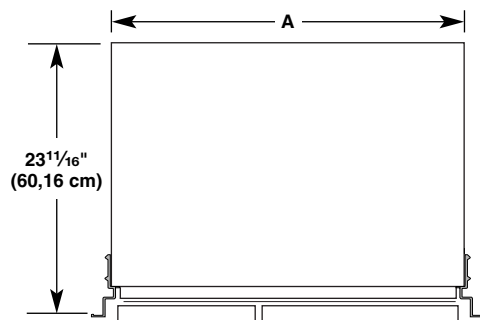
Vue de dessus

Style Euro et Pro-Style®



Modèle	A	B
42 Style Euro	41" (104,1 cm)	2 $\frac{1}{8}$ " (5,3 cm)
48 Style Euro	47" (119,4 cm)	2 $\frac{1}{8}$ " (5,3 cm)
42 Pro-Style®	41" (104,1 cm)	2 $\frac{5}{8}$ " (6,67 cm)
48 Pro-Style®	47" (119,4 cm)	2 $\frac{5}{8}$ " (6,67 cm)

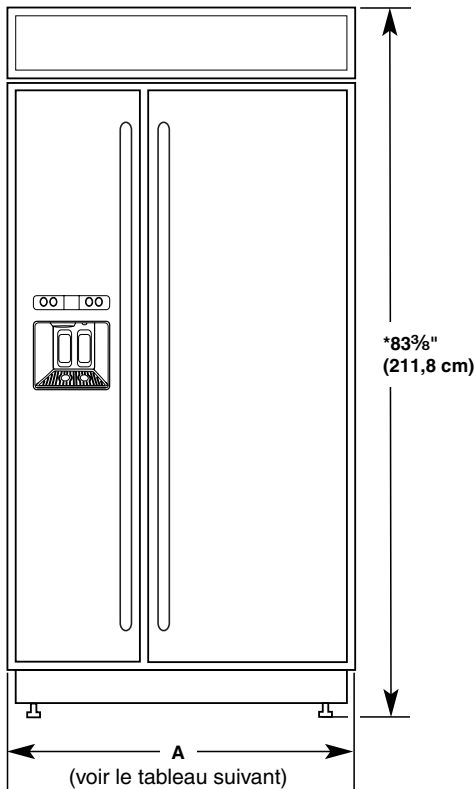
Style Overlay



Modèle	Largeur A
42	41" (104,1 cm)
48	47" (119,4 cm)

Vue avant

- Les dimensions de largeur ont été mesurées d'un bord à l'autre de la garniture extérieure.
- Les dimensions de hauteur indiquées correspondent à la situation où les pieds de réglage de l'aplomb déployés dépassent de 1/8" (3 mm) au-dessous des roulettes.



Modèle	Largeur A (d'un bord à l'autre de la garniture)
42	42 1/4" (107,3 cm)
48	48 1/4" (122,6 cm)

*Lorsque les pieds de réglage de l'aplomb sont totalement déployés de 1/4" (3,2 cm) au-dessous des roulettes, ajouter 1 1/8" (2,9 cm) à la hauteur totale.

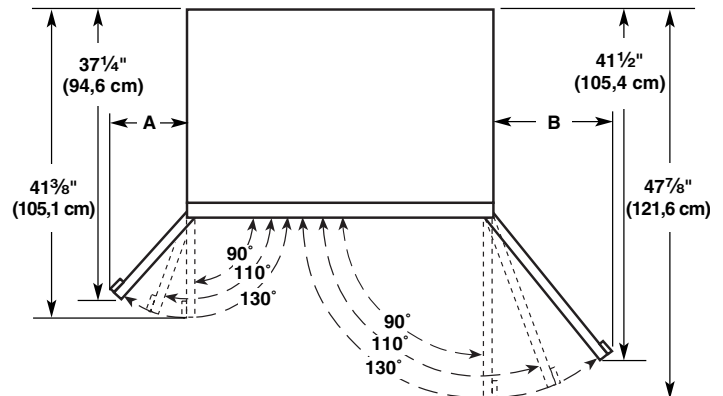
Dimensions pour le pivotement des portes

L'emplacement d'installation doit permettre l'ouverture des deux portes à un angle minimal de 90°. Laisser un espace libre d'au moins 4 1/2" (11,4 cm) entre le côté du réfrigérateur et un mur d'angle.

REMARQUE : Un espace libre plus grand peut être nécessaire lors de l'emploi de panneaux personnalisés, poignées personnalisées ou poignées prolongées.

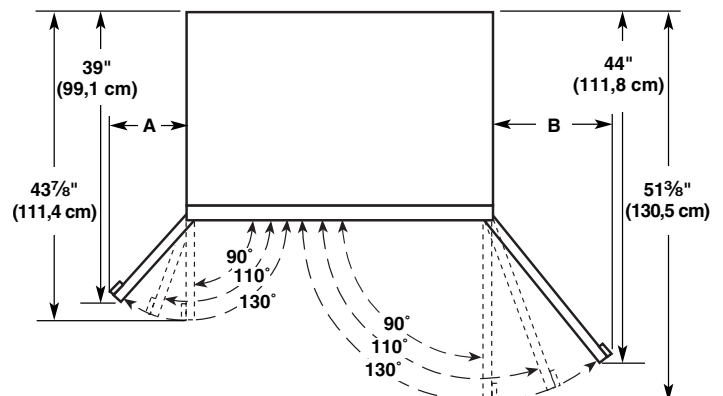
Pour le réglage de l'angle d'ouverture de la porte, voir "Ajustement des portes".

Modèles de 42" (106,7 cm)



Modèle	A	B
Pro-Style®	10 3/4" (27,11 cm)	14 1/4" (36,11 cm)
Euro	10 1/4" (25,87 cm)	13 3/4" (34,88 cm)

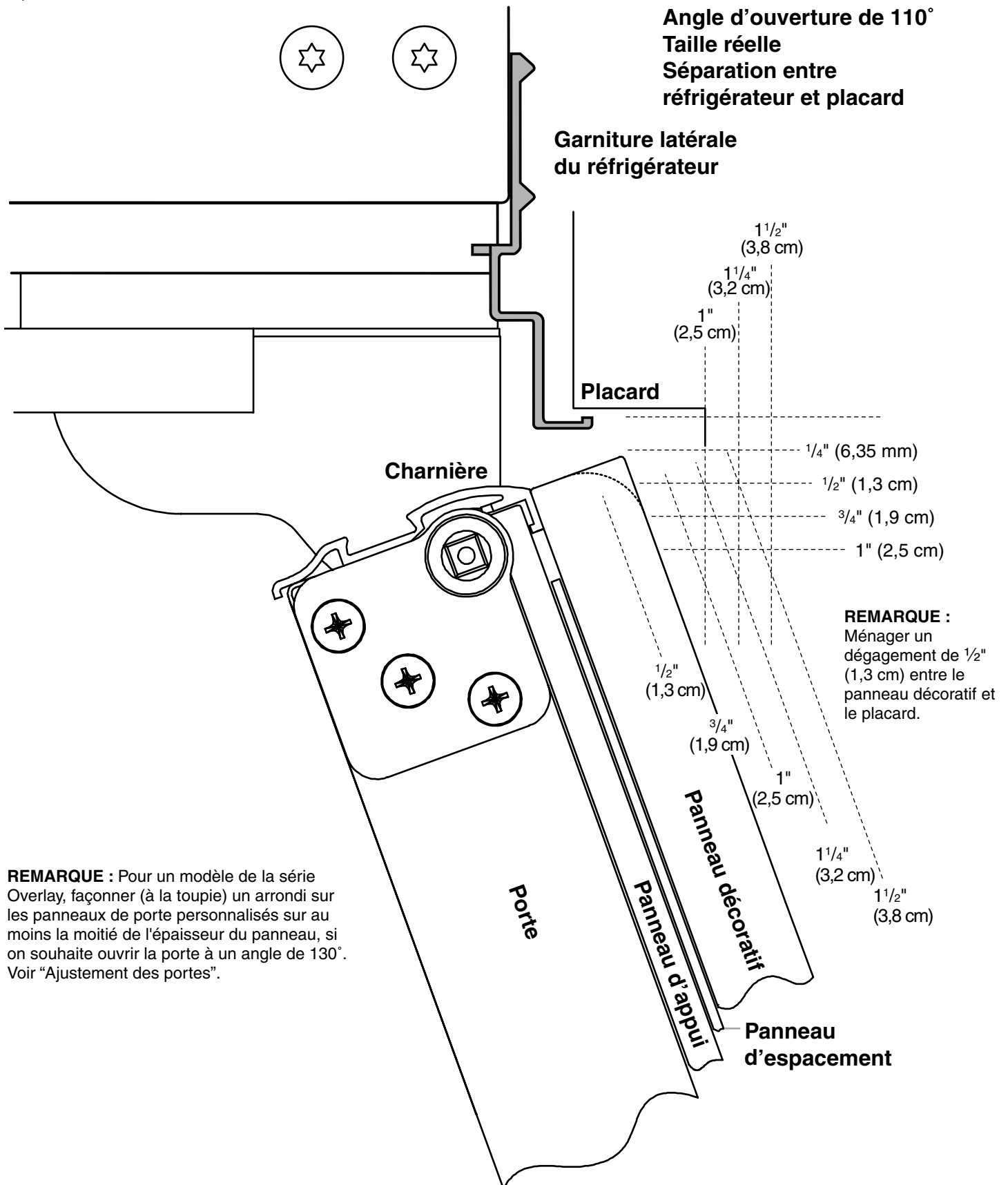
Modèles de 48" (121,9 cm)



Modèle	A	B
Pro-Style®	12 3/16" (30,84 cm)	16 1/4" (41,16 cm)
Euro	11 5/8" (29,43 cm)	15 11/16" (39,75 cm)

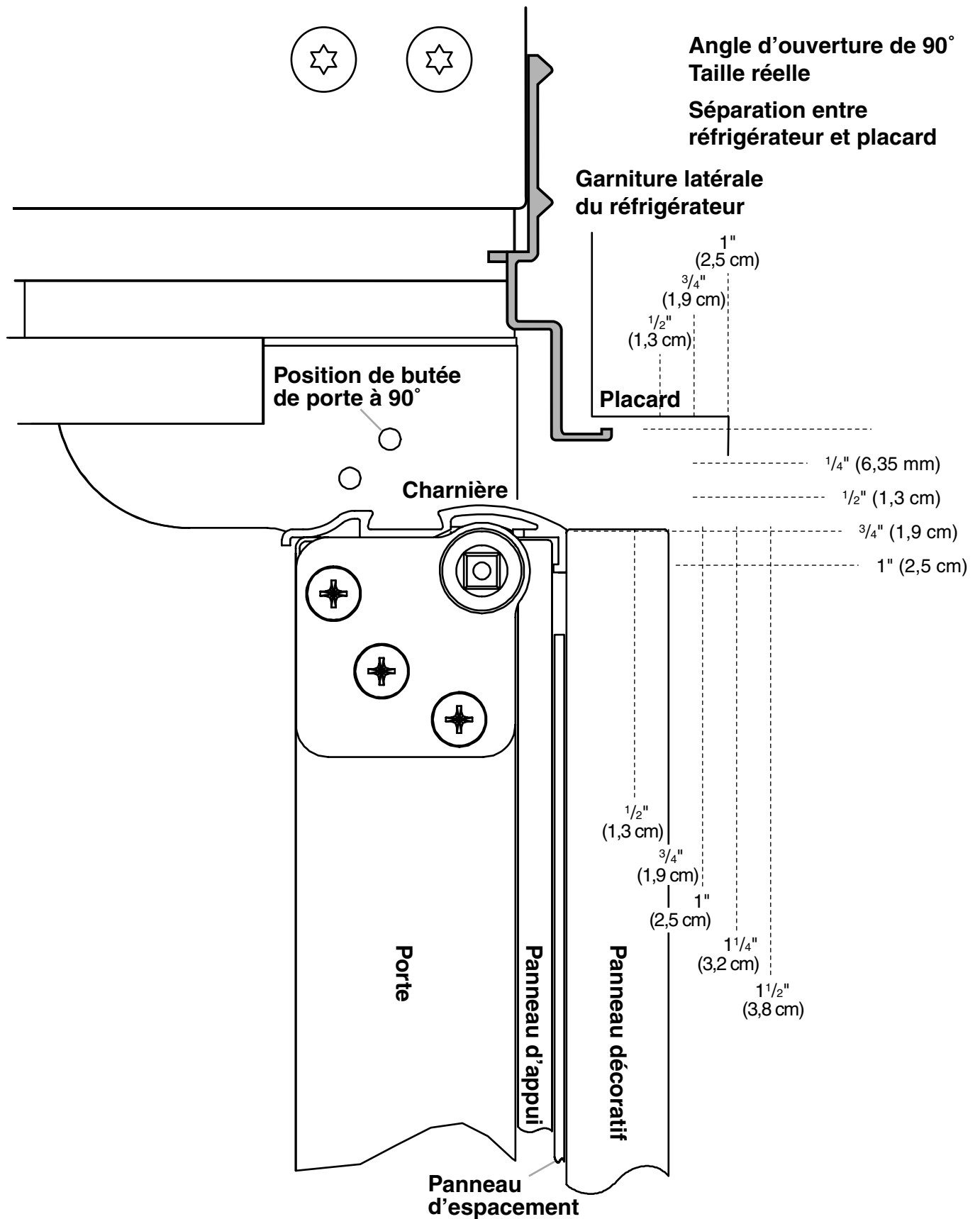
Série Overlay - Panneau de porte et placard - espace libre

Lors de la conception des panneaux de porte personnalisés et des placards adjacents, on doit veiller à ménager l'espace libre suffisant pour la manœuvre d'ouverture des portes. Si le réfrigérateur doit être installé à proximité du mur, voir à la page suivante "Ouverture de la porte à 90°".



REMARQUE : Pour un modèle de la série Overlay, façonner (à la toupie) un arrondi sur les panneaux de porte personnalisés sur au moins la moitié de l'épaisseur du panneau, si on souhaite ouvrir la porte à un angle de 130°. Voir "Ajustement des portes".

Lorsque les portes sont fermées, la surface frontale du réfrigérateur sera légèrement en saillie par rapport aux placards adjacents.



Prévoir un espacement d'au moins 4 1/2" (11,4 cm) entre le côté du réfrigérateur et un mur d'angle. Un espace libre plus grand peut être nécessaire dans le cas de l'utilisation de panneaux personnalisés plus épais ou de poignées personnalisées. Tenir compte également des plinthes.

Panneaux personnalisés et poignées de la série Overlay

Les panneaux de recouvrement personnalisés permettent d'assortir l'extérieur du réfrigérateur à la décoration d'ensemble de la cuisine; par ailleurs les poignées personnalisées donnent une flexibilité supplémentaire en termes d'esthétique.

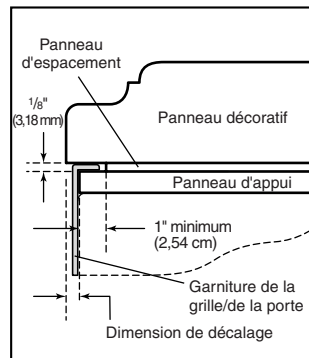
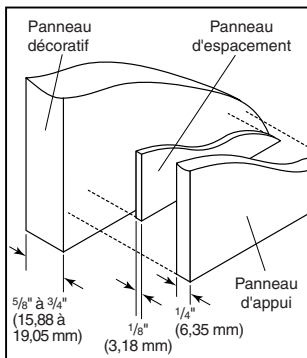
Pour le montage sur le réfrigérateur, un panneau d'appui doit être fixé sur chaque panneau personnalisé. On utilise fréquemment trois panneaux (voir l'illustration qui suit). Un panneau décoratif de recouvrement, des lattes d'espacement ou un panneau d'espacement de $\frac{1}{8}$ " (3,18 mm) et un panneau d'appui de $\frac{1}{4}$ " (6,35 mm).

Dans certains cas, le fabricant des placards peut choisir de travailler avec un unique panneau, découpé aux dimensions appropriées. Pour un bon ajustement des panneaux personnalisés, respecter les dimensions indiquées et les instructions de placement.

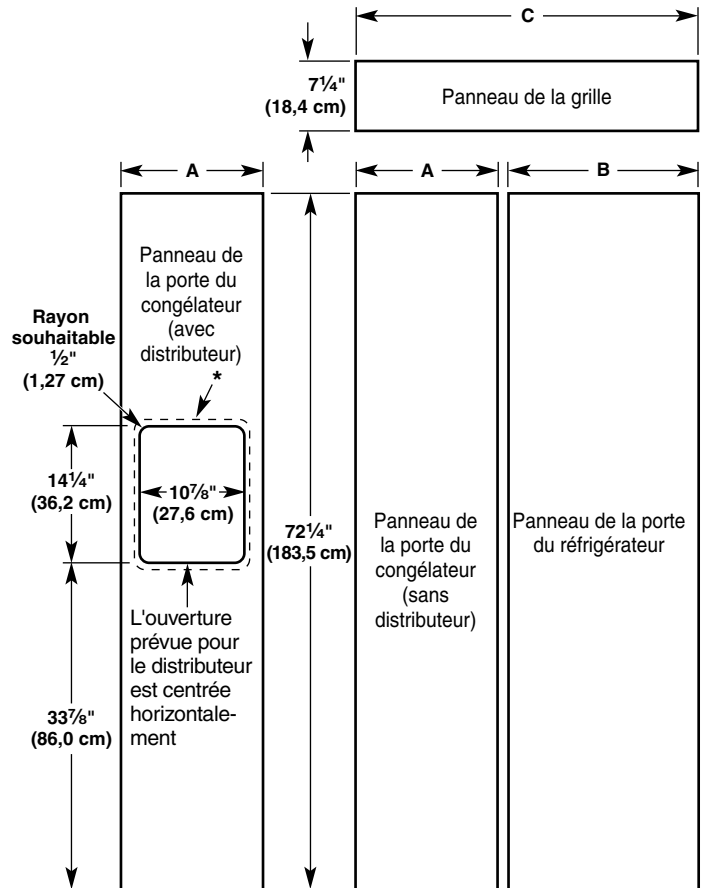
IMPORTANT :

- Le poids du panneau de recouvrement de la porte du réfrigérateur ne doit pas dépasser 50 lb (23 kg).
- Le poids du panneau de recouvrement de la porte du congélateur ne doit pas dépasser 40 lb (18,1 kg).
- Le poids du panneau de recouvrement de la grille supérieure ne doit pas dépasser 10 lb (4,5 kg).

Pour minimiser le poids du panneau, on peut installer des lattes d'espacement de largeur 2" (5,08 cm) sur le périmètre à la place d'un panneau d'espacement massif complet. Placer les lattes d'espacement à au moins 1" (2,54 cm) des rives (supérieure, inférieure et latérales) du panneau d'appui. Dans le cas de l'utilisation de lattes d'espacement, il est également préférable de placer deux lattes horizontales de 2" (5,08 cm) centrées horizontalement, pour optimiser le support.



Panneau décoratif de recouvrement



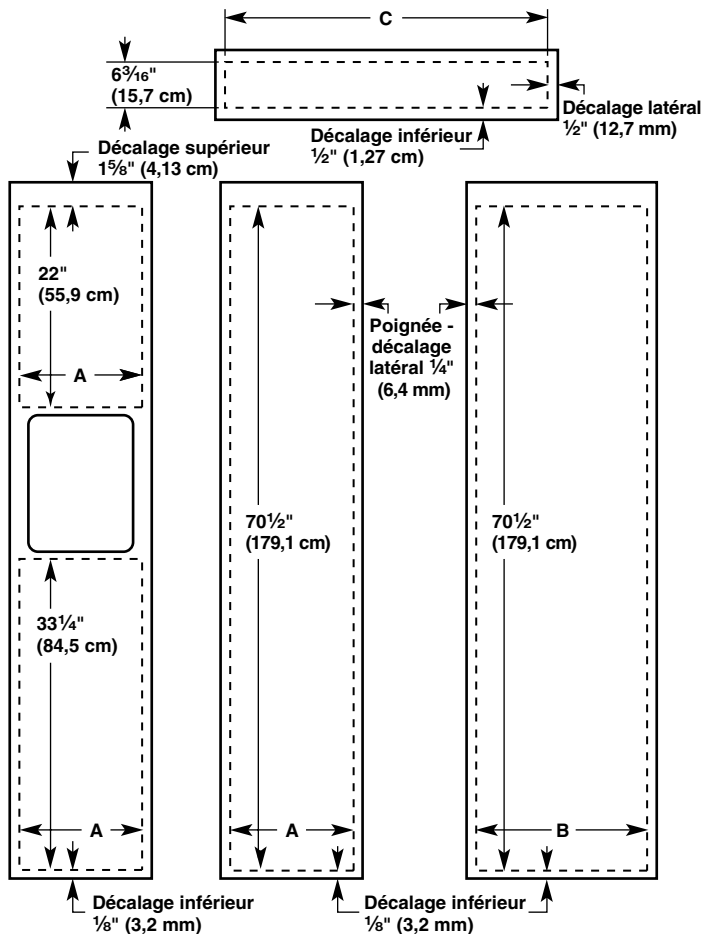
Modèle	A	B	C
42	17 ¹ / ₄ " (43,82 cm)	23 ¹ / ₄ " (59,06 cm)	40 ³ / ₄ " (103,51 cm)
48	19 ³ / ₄ " (50,17 cm)	26 ³ / ₄ " (67,95 cm)	46 ³ / ₄ " (118,75 cm)

*Correspond à l'emplacement du panneau de recouvrement du distributeur.

Panneaux d'appui

REMARQUES :

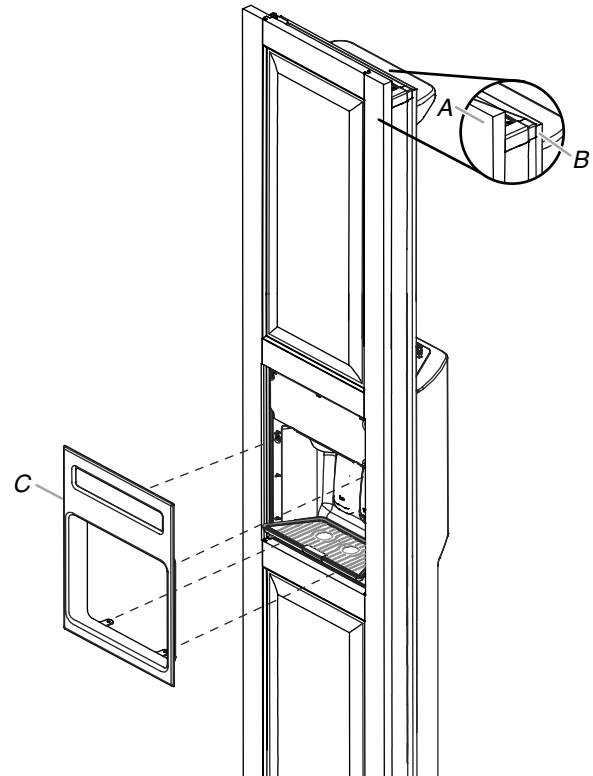
- Les lignes pointillées correspondent à l'emplacement du panneau d'appui.
- L'illustration indique l'emplacement des panneaux d'appui placés sur les panneaux de recouvrements à vocation décorative.



Modèle	A	B	C
42	16 ³ / ₄ " (42,55 cm)	22 ³ / ₄ " (57,79 cm)	39 ³ / ₄ " (100,97 cm)
48	19 ¹ / ₄ " (48,90 cm)	26 ¹ / ₄ " (66,68 cm)	45 ³ / ₄ " (116,21 cm)

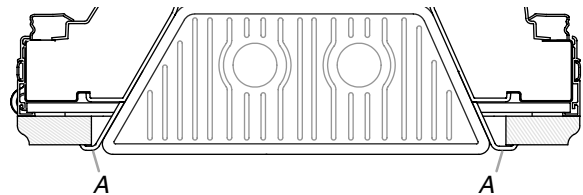
Cadre du distributeur (modèles équipés d'un distributeur seulement)

Le cadre du distributeur se fixe au panneau au moyen de quatre vis.



A. Panneau décoratif
B. Porte du réfrigérateur
C. Cadre du distributeur

Le cadre du distributeur chevauche l'ouverture du distributeur de $\frac{5}{16}$ " (0,78 cm) de chaque côté et de $\frac{1}{2}$ " (1,27 cm) en haut et en bas.



A. Chevauchement de $\frac{1}{2}$ " (1,27 cm)

Panneaux latéraux personnalisés des Style Euro, et Pro-Style®

Des panneaux latéraux personnalisés peuvent être nécessaires lorsqu'il n'y a pas suffisamment d'espace pour avoir des placards des deux côtés du réfrigérateur ou lorsque le réfrigérateur est placé à l'extrémité d'une enfilade de placards. Vous avez le choix d'installer un panneau inséré, en affleurement ou inséré en retrait.

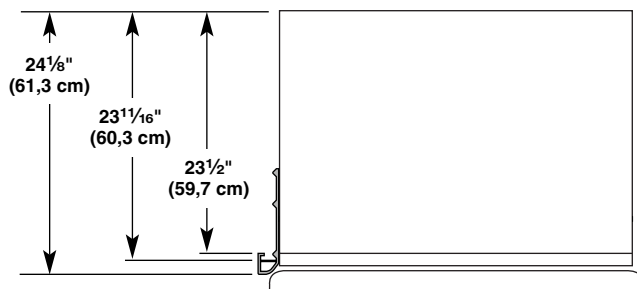
Dimensions du réfrigérateur et des garnitures latérales

La largeur et la hauteur du panneau latéral sont déterminées en fonction du type d'installation prévu.

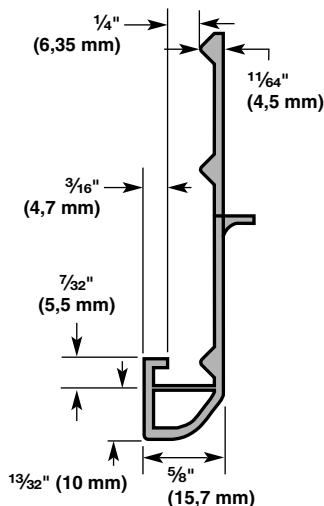
REMARQUES :

- Les dimensions indiquées sont les dimensions réelles du produit et peuvent ne pas refléter les dimensions nécessaires d'installation des panneaux.
- Le panneau latéral doit avoir une épaisseur minimale de $\frac{1}{2}$ " (1,27 cm) pour éviter le gauchissement.
- Si la profondeur de l'ouverture est de 25" (63,5 cm) ou plus, vous voudrez peut-être installer une tringle d'appui sur le mur arrière.

Réfrigérateur



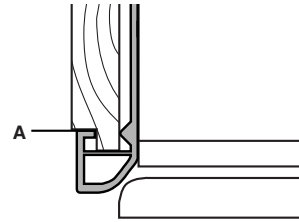
Garniture latérale



Dimensions pour un panneau inséré

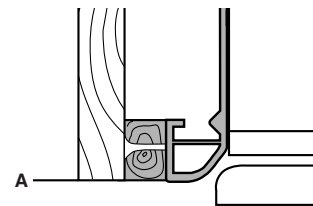
1. Mesurer la distance du point A (tel qu'illustré) à la paroi arrière. Ajouter $\frac{7}{32}$ " (5,6 mm) à cette mesure pour que le panneau latéral entre dans la garniture.

2. Si le panneau a plus de $\frac{1}{4}$ " (6,35 mm) d'épaisseur, usiner la rive avant du panneau latéral pour que l'insertion soit possible.



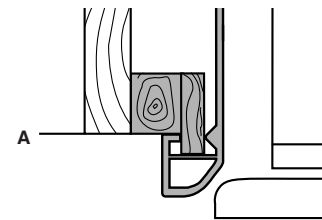
Dimensions pour un panneau en affleurement

1. Mesurer la distance du point A (tel qu'illustré) à la paroi arrière.
2. Fixer la tringle d'appui avec une vis ou un adhésif compatible avec l'aluminium et le bois.



Dimensions pour un panneau inséré en retrait

1. Mesurer la distance du point A (tel qu'illustré) à la paroi arrière.
2. Usiner la rive avant de la tringle d'appui ou installer une planchette de $\frac{1}{4}$ " (6,35 mm) pour la rétention du panneau dans la garniture latérale de la caisse.



Panneaux latéraux personnalisés de la Série Overlay

Des panneaux latéraux personnalisés peuvent être nécessaires lorsqu'il n'y a pas suffisamment d'espace pour avoir des placards des deux côtés du réfrigérateur ou lorsque le réfrigérateur est placé à l'extrémité d'une enfilade de placards. Vous avez le choix d'installer un panneau inséré ou inséré en retrait.

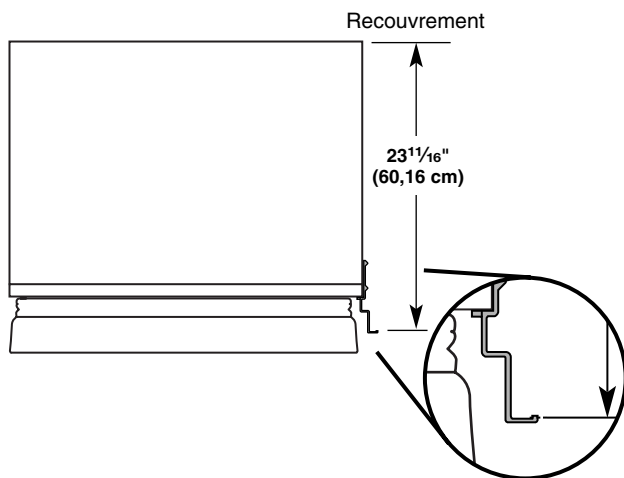
Dimensions du réfrigérateur et de la garniture latérale

La largeur et la hauteur du panneau latéral sont déterminées en fonction du type d'installation prévu.

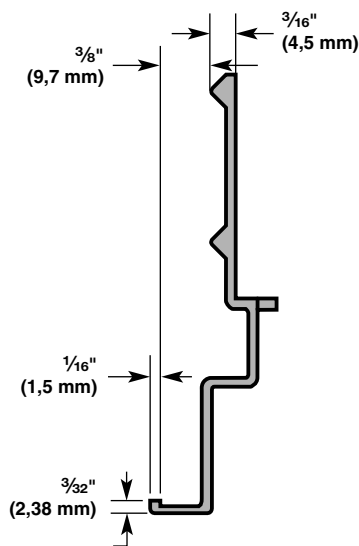
REMARQUES :

- Les dimensions indiquées sont les dimensions réelles du produit et peuvent ne pas refléter les dimensions nécessaires d'installation des panneaux.
- Le panneau latéral doit avoir une épaisseur minimale de $\frac{1}{2}$ " (1,27 cm) pour éviter le gauchissement.
- Si la profondeur de l'ouverture est de 25" (63,5 cm) ou plus, vous voudrez peut-être installer une tringle d'appui sur le mur arrière.

Réfrigérateur

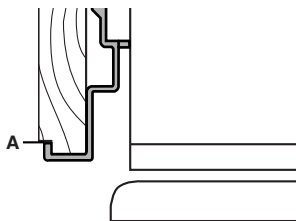


Garniture latérale



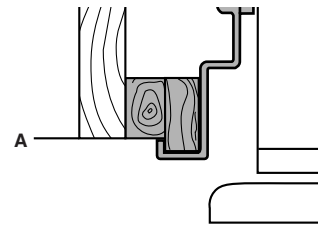
Dimensions pour un panneau inséré

1. Mesurer la distance du point A (tel qu'illustré) à la paroi arrière. Ajouter $\frac{1}{32}$ " (0,8 mm) à cette mesure pour que le panneau latéral entre dans la garniture.
2. Si le panneau a plus de $\frac{3}{8}$ " (9,5 mm) d'épaisseur, usiner la rive avant du panneau latéral pour que l'insertion soit possible.



Dimensions d'installation pour un panneau inséré en retrait

1. Mesurer la distance du point A (tel qu'illustré) à la paroi arrière.
2. Usiner la rive avant de la tringle d'appui ou installer une planchette de $\frac{3}{8}$ " (9,5 mm) pour la rétention du panneau dans la garniture latérale de la caisse.



INSTRUCTIONS D'INSTALLATION

Déballage du réfrigérateur

⚠ AVERTISSEMENT



Risque de basculement

Le réfrigérateur est lourd au sommet et bascule facilement lorsqu'il n'est pas complètement installé.

Garder les portes fermées avec un ruban adhésif jusqu'à l'installation complète du réfrigérateur.

Utiliser deux ou plus de personnes pour déplacer et installer le réfrigérateur.

Le non-respect de ces instructions peut causer un décès ou une blessure grave.

IMPORTANT :

- Ne pas ôter la pellicule avant que le réfrigérateur ne soit à la position de service.
 - Les quatre pieds de réglage de l'aplomb doivent toucher le plancher pour supporter et stabiliser le poids total du réfrigérateur.
 - Garder la pièce de carton ou de contreplaqué d'expédition sous le réfrigérateur jusqu'à son installation à l'emplacement de service.
1. Retirer et conserver le sachet de documents fixé à l'aide de ruban adhésif sur le côté du réfrigérateur et le sachet de pièces derrière la grille. Enlever les quatre brides (deux de chaque côté) fixant la base utilisée pour l'expédition au bas du réfrigérateur.

REMARQUE : Ne pas enlever les rubans adhésifs et articles d'arrimage des portes avant que le réfrigérateur ne soit placé à sa position finale.

2. Si nécessaire, réduire le rayon de basculement. Au sujet des critères à respecter pour la hauteur sous plafond, voir "Rayon de basculement", ou voir les instructions détaillées à la section "Réduction du rayon de basculement". S'il n'est pas nécessaire de réduire le rayon de basculement, passer à la section "Faire entrer le réfrigérateur dans le domicile".

Réduction du rayon de basculement

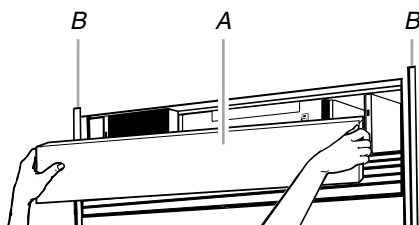
(si nécessaire)

Avant d'apporter le réfrigérateur dans le domicile, s'assurer que la hauteur du plafond est suffisante pour mettre le réfrigérateur en position verticale. Voir "Réduction du rayon de basculement" dans la section "Exigences d'installation" pour plus d'information.

Si vous n'avez pas une hauteur de plafond suffisante pour mettre le réfrigérateur en position verticale, le rayon de basculement peut être réduit en enlevant la grille supérieure et les garnitures latérales (voir le tableau suivant).

Modèle	Rayon de basculement réduit
42	88½" (224,8 cm)
48	89¼" (226,7 cm)

1. Saisir les deux extrémités de la grille supérieure.
2. Pousser la grille tout droit vers le haut, puis tout droit vers l'extérieur. Poser la grille supérieure sur une surface souple.



A. Grille supérieure

B. Garniture latérale de la caisse

3. Enlever les 6 vis qui fixent chaque garniture latérale de la caisse au réfrigérateur et enlever les garnitures latérales.

Faire entrer le réfrigérateur dans le domicile

⚠️ AVERTISSEMENT



Risque de basculement

Le réfrigérateur est lourd au sommet et bascule facilement lorsqu'il n'est pas complètement installé.

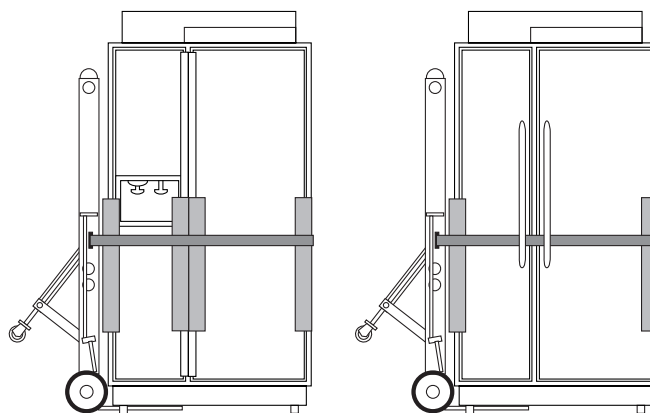
Garder les portes fermées avec un ruban adhésif jusqu'à l'installation complète du réfrigérateur.

Utiliser deux ou plus de personnes pour déplacer et installer le réfrigérateur.

Le non-respect de ces instructions peut causer un décès ou une blessure grave.

1. Introduire le chariot sous le réfrigérateur, côté gauche, tel qu'illustré. À cette fin, placer les cornières de l'emballage par-dessus les garnitures et poignées. Serrer prudemment la sangle.

REMARQUE : Faire passer la sangle du chariot sous les poignées pour la série Architect®.



2. Placer des pièces de carton d'expédition sur le plancher lorsqu'on utilise un chariot pour faire entrer le réfrigérateur dans le domicile. Déplacer le réfrigérateur près de la cavité d'encastrement.
3. Placer une feuille de carton ou de contreplaqué sous le réfrigérateur.
4. Mettre le réfrigérateur en position verticale. Placer d'abord le bord inférieur gauche du réfrigérateur sur le plancher, puis mettre le réfrigérateur debout et abaisser ensuite le côté droit du réfrigérateur sur le plancher.
5. Réinstaller la garniture et la grille supérieure après avoir retiré le chariot du réfrigérateur.

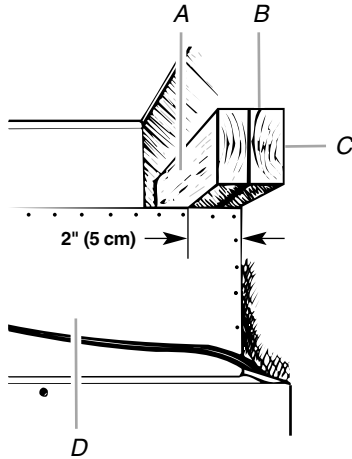
Installation de planches antibasculement

IMPORTANT :

- Pour éviter le basculement pendant l'utilisation, le soffite massif doit se trouver à 1" (2,5 cm) maximum au-dessus du réfrigérateur. Si le soffite massif se trouve à plus de 1" (2,5 cm) ou si aucun soffite n'est disponible, le réfrigérateur doit être arrimé.
- On recommande la mise en place d'une ou de plusieurs planches avant l'installation du réfrigérateur.
- Il faut que la ou les planche(s) soit(soient) assez longue(s) pour recouvrir complètement le couvercle du compresseur sur toute la largeur.
- Positionner la ou les planche(s) de telle manière que la surface inférieure soit à 84" (213 cm) du plancher.
- Durant l'installation, soulever le réfrigérateur pour que la distance résiduelle entre le sommet du réfrigérateur et la surface inférieure de la ou des planche(s) antibasculement soit de ¼" (6,35 mm) maximum. Veiller à ne pas écraser le couvercle du compresseur lors du soulèvement des pieds de réglage de l'aplomb arrière.

Installation des planches antibasculement

1. Marquer la position des poteaux de colombage sur le mur arrière à 80" à 90" (203 à 229 cm) au-dessus du plancher.
2. Fixer solidement une ou deux planches de 2" x 4" x 32" (5 cm x 10 cm x 81 cm) sur les poteaux de colombage derrière le réfrigérateur. Utiliser 6 vis à bois n° 8 x 3" (7,6 cm) (ou plus longues). Les vis à bois doivent pénétrer dans les poteaux d'au moins 1½" (3,8 cm). La ou les planche(s) doit/doivent être placée(s) en chevauchement sur le couvercle du compresseur.



- A. Centrer la planche à un maximum de ¼" (6,35 mm) au-dessus du réfrigérateur
B. Deux planches de 2" x 4" x 32" (5 cm x 10 cm x 81 cm)
C. Fixer aux poteaux avec 6 vis n° 8 x 3" (7,6 cm)
D. Couvercle du compresseur

Raccordement à l'alimentation en eau

Lire toutes les instructions avant de commencer.

IMPORTANT : Si l'on doit mettre en marche le réfrigérateur avant que la canalisation d'eau ne soit connectée, placer la machine à glaçons à OFF (arrêt).

Raccordement à la canalisation d'eau

Pièces nécessaires :

- Canalisation flexible d'alimentation en eau approuvée par les codes en vigueur de 7 pi (2,13 m) minimum

Style 1 – Connexion avec robinet d'arrêt

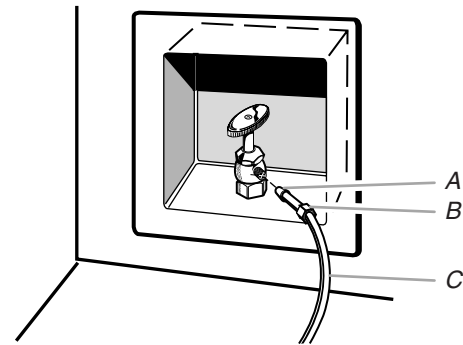
REMARQUE : Si le raccordement de la canalisation d'eau ne ressemble pas au Style 1, voir "Style 2 – Raccordement de la canalisation en cuivre".

1. Débrancher le réfrigérateur ou déconnecter la source de courant électrique.

IMPORTANT : Avant de raccorder le tube au robinet d'arrêt, rincer la canalisation d'eau principale pour éliminer l'air et les débris qui s'y trouvent. Laisser s'écouler une quantité d'eau suffisante, jusqu'à ce qu'elle soit limpide. Le rinçage de la canalisation d'eau peut permettre d'éviter l'obstruction des filtres et/ou celle des robinets.

2. Raccorder la canalisation flexible d'alimentation en eau approuvée par les codes en vigueur au robinet d'arrêt en enfilaient l'écrou fourni sur le robinet d'arrêt, tel qu'illustré.

REMARQUE : Tel que recommandé, le robinet d'arrêt se trouve dans le placard latéral à l'illustration.



- A. Renflement
B. Écrou
C. Tuyau d'eau

3. Placer l'extrémité du tube dans un seau et OUVRIER le robinet d'arrêt.
4. Vérifier qu'il n'y a pas de fuites. Si des fuites sont identifiées, resserrer tous les écrous ou connexions concernés (y compris les connexions au niveau du robinet).

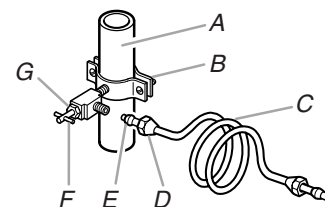
Style 2 – Raccordement de la canalisation d'eau en cuivre

REMARQUE : S'il y a une canalisation d'alimentation en eau qui satisfait aux exigences de "Exigences d'alimentation en eau", passer à "Raccordement au réfrigérateur". Si ce n'est pas le cas, utiliser les instructions suivantes pour le raccordement à l'alimentation d'eau froide du domicile.

1. Débrancher le réfrigérateur ou déconnecter la source de courant électrique.
2. FERMER le robinet principal d'alimentation en eau. OUVRIER le robinet le plus proche pendant une période suffisante pour purger toute l'eau de la canalisation.
3. Identifier une canalisation d'eau froide verticale de ½" à 1¼" (1,25 cm à 3,18 cm) à proximité du réfrigérateur.

IMPORTANT :

- Vérifier qu'il s'agit d'une canalisation d'eau froide.
 - On peut aussi utiliser une canalisation horizontale; dans ce cas, on devra percer sur la face supérieure du tuyau et non pas au-dessous. Ceci permet de tenir la perceuse à l'écart de l'eau et d'empêcher les sédiments qu'on trouve normalement dans l'eau de s'accumuler dans le robinet d'arrêt.
4. Déterminer la longueur de tube de cuivre à utiliser. Mesurer depuis le point de connexion (angle inférieur arrière gauche du réfrigérateur) à la canalisation d'eau. Ajouter 7 pi (2,1 m) pour permettre les opérations de nettoyage. Utiliser un tube en cuivre de ¼" (6,35 mm) de diamètre extérieur. Veiller à ce que le tube soit coupé d'équerre aux deux extrémités.
 5. À l'aide d'une perceuse sans fil, percer un trou de ¼" (6,35 mm) dans la canalisation d'eau froide choisie.



- A. Canalisation d'eau froide
B. Bride de tuyau
C. Tube en cuivre
D. Écrou de compression
E. Bague de compression
F. Robinet d'arrêt
G. Écrou de serrage

- Fixer le robinet d'arrêt sur la canalisation d'eau froide avec la bride de tuyau. Vérifier que l'extrémité du raccord du robinet est bien engagée dans le trou de 1/4" (6,35 mm) percé dans la canalisation et que la rondelle d'étanchéité se trouve sous la bride du tuyau. Serrer l'écrou de serrage. Serrer lentement et uniformément les vis fixant la bride de tuyau sur le tuyau afin d'assurer l'étanchéité du joint. Ne pas serrer excessivement.

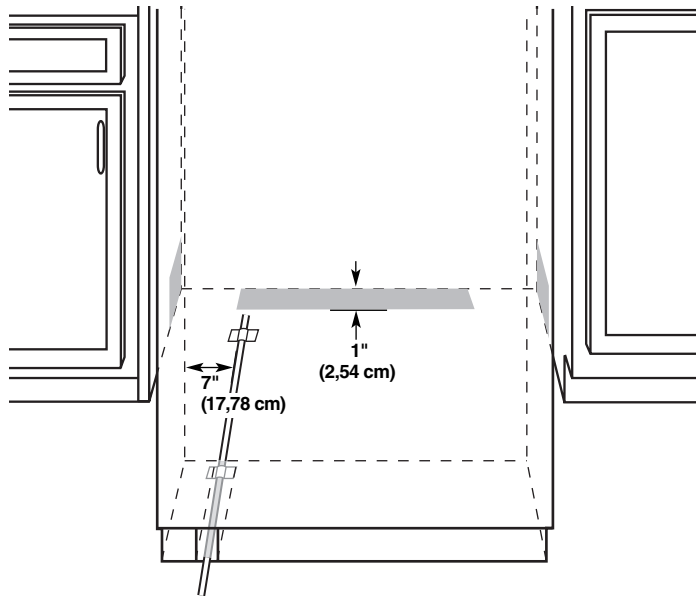
IMPORTANT : Avant de raccorder le tube au robinet d'arrêt, rincer la canalisation d'eau principale pour éliminer l'air et les débris qui s'y trouvent. Laisser s'écouler une quantité d'eau suffisante, jusqu'à ce qu'elle soit limpide. Le rinçage de la canalisation d'eau peut permettre d'éviter l'obstruction des filtres et/ou celle des robinets.

- Enfiler la bague et l'écrou de compression sur le tube en cuivre tel qu'illustré. Insérer l'extrémité du tube directement dans l'extrémité de sortie, aussi loin que possible. Visser l'écrou de compression sur l'extrémité de sortie du raccord à l'aide d'une clé à molette. Ne pas serrer excessivement la bride ou la bague. Ceci provoquera l'écrasement du tube de cuivre.
- Fermer le robinet d'arrêt de la canalisation d'eau. Lover le tube de cuivre.
- Raccorder la canalisation flexible d'alimentation en eau approuvée par les codes en vigueur au robinet d'arrêt en enfilaant l'écrou fourni sur le robinet d'arrêt.
- Placer l'extrémité du tube dans un seau et OUVRIER le robinet d'arrêt.
- Inspecter pour rechercher des fuites au niveau du robinet d'arrêt à étrier. Si des fuites sont identifiées, resserrer tous les écrous ou connexions concernés (y compris les connexions au niveau du robinet).

Raccordement au réfrigérateur

Pièces fournies :

- Raccord mâle-mâle 1/4" - 1/4" (6,35 mm - 6,35 mm)



REMARQUE : La canalisation flexible d'alimentation en eau approuvée par les codes en vigueur peut être raccordée au robinet d'alimentation en eau par le plancher ou par les placards latéraux, tel qu'indiqué dans les encadrés gris ci-dessus.

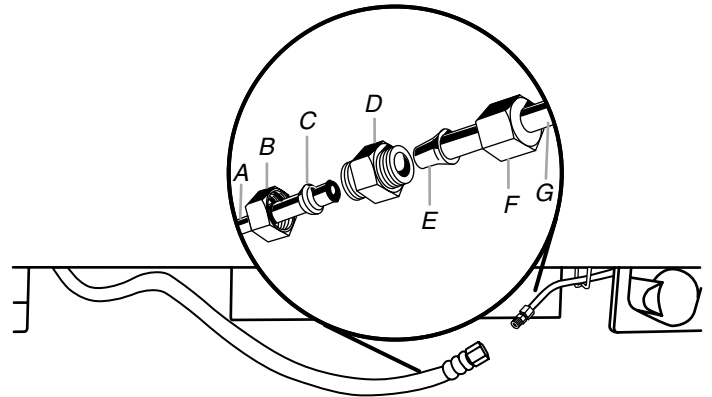
- Débrancher le réfrigérateur ou déconnecter la source de courant électrique.
- Raccorder le tube flexible de 7 pi (2,13 m) approuvé par les codes en vigueur au robinet d'alimentation en eau.
- Rincer la canalisation d'alimentation en eau principale pour éliminer les particules et l'air présents dans la canalisation d'eau. Laisser s'écouler une quantité d'eau suffisante, jusqu'à ce qu'elle soit limpide.

- Avec du ruban adhésif, fixer la canalisation flexible d'alimentation en eau approuvée par les codes en vigueur de 7 pi (2,13 m) au plancher, à 7" (17,78 cm) du côté gauche du réfrigérateur. La fixer le long du tube avec du ruban adhésif; ceci lui permet ainsi de passer sous le réfrigérateur sans rencontrer d'obstacle.

REMARQUE : Laisser pendre un minimum de 26" (66,04 cm) de la canalisation flexible d'alimentation en eau approuvée par les codes en vigueur à l'avant du réfrigérateur pour le raccordement au réfrigérateur.

- Raccorder la canalisation flexible d'alimentation en eau approuvée par les codes en vigueur de 7 pi (2,13 m) au réfrigérateur.

REMARQUE : Si le robinet d'arrêt principal se trouve derrière le réfrigérateur, un deuxième robinet d'arrêt peut être installé en ligne directe avec la canalisation d'alimentation en eau, à l'avant du produit.



- | | |
|-----------------------------|---------------------------------|
| A. Canalisation du domicile | E. Renflement |
| B. Écrou (à acheter) | F. Écrou |
| C. Virole (à acheter) | G. Tuyau d'eau du réfrigérateur |
| D. Raccord | |

- Ouvrir l'alimentation en eau et inspecter tous les raccords pour identifier toute fuite éventuelle.

Brancher le réfrigérateur

⚠ AVERTISSEMENT



Risque de choc électrique

Brancher sur une prise à 3 alvéoles reliée à la terre.

Ne pas enlever la broche de liaison à la terre.

Ne pas utiliser un adaptateur.

Ne pas utiliser un câble de rallonge.

Le non-respect de ces instructions peut causer un décès, un incendie ou un choc électrique.

- Régler l'interrupteur de commande de la partie supérieure de la caisse à la position OFF (arrêt).
- Brancher sur une prise à 3 alvéoles reliée à la terre.

Déplacement du réfrigérateur à l'emplacement final

AVERTISSEMENT



Risque de basculement

Le réfrigérateur est lourd au sommet et bascule facilement lorsqu'il n'est pas complètement installé.

Garder les portes fermées avec un ruban adhésif jusqu'à l'installation complète du réfrigérateur.

Utiliser deux ou plus de personnes pour déplacer et installer le réfrigérateur.

Le non-respect de ces instructions peut causer un décès ou une blessure grave.

IMPORTANT : Pour éviter d'endommager le plancher, avant de déplacer le réfrigérateur, vérifier que les pieds sont soulevés (aucun contact avec le plancher) et que le réfrigérateur repose sur ses roulettes.

1. Placer sous le réfrigérateur le sommet de l'emballage de carton ou une feuille de contreplaqué. Enlever le chariot.
2. Ne pas enlever le film ou autre matériau de protection.
3. Pousser le réfrigérateur tout droit dans la cavité d'encastrement en le centrant, en laissant un espace égal de chaque côté. Veiller à ce que les garnitures latérales du réfrigérateur n'interfèrent pas avec l'ouverture de la porte. S'assurer également que la canalisation d'arrivée d'eau n'est pas déformée et que le cordon d'alimentation électrique se trouve sur le dessus du réfrigérateur.

Réglage de l'aplomb et alignement du réfrigérateur

AVERTISSEMENT



Risque de basculement

Le réfrigérateur est lourd au sommet et bascule facilement lorsqu'il n'est pas complètement installé.

Garder les portes fermées avec un ruban adhésif jusqu'à l'installation complète du réfrigérateur.

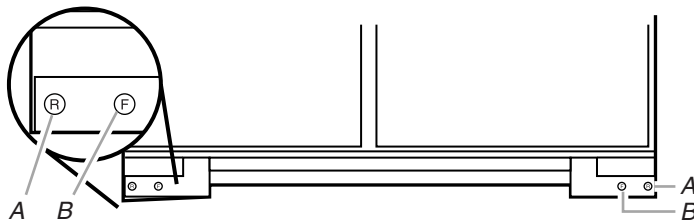
Utiliser deux ou plus de personnes pour déplacer et installer le réfrigérateur.

Le non-respect de ces instructions peut causer un décès ou une blessure grave.

IMPORTANT : Les quatre pieds de réglage de l'aplomb doivent toucher le plancher pour supporter et stabiliser le poids total du réfrigérateur. Les roulettes ne sont utilisées que pour le déplacement du réfrigérateur, et non pas pour un soutien permanent.

Après avoir déplacé le réfrigérateur jusqu'à sa position de service finale :

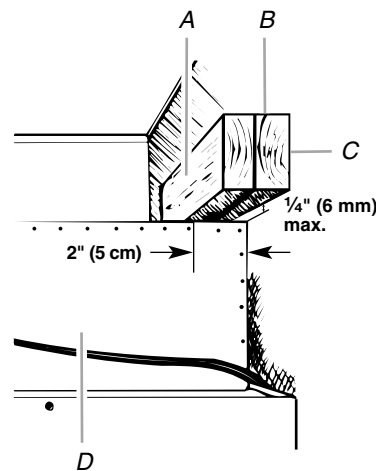
1. Utiliser une clé à douille de $\frac{5}{16}$ " pour faire tourner les boulons de réglage de l'aplomb dans le sens horaire et déployer les pieds vers le plancher (voir illustration). Les roulettes ne doivent plus être en contact avec le plancher.



A. Boulon de réglage de l'aplomb (arrière)
B. Boulon de réglage de l'aplomb (avant)

2. Ajuster les pieds de réglage de l'aplomb et établir l'aplomb du réfrigérateur de gauche à droite et avant/arrière de façon à ce qu'il soit d'aplomb et aligné avec le placard. La surface du placard doit être verticale pour une insertion parfaite de la garniture latérale du réfrigérateur.
3. Poursuivre l'ajustement de tous les pieds de réglage de l'aplomb pour soulever le réfrigérateur jusqu'à ce que la partie supérieure se situe à au moins 1" (2,54 cm) du soffite supérieur.

REMARQUE : Si une planche antibasculement a été utilisée, ajuster les pieds de réglage de l'aplomb jusqu'à ce que la partie supérieure du réfrigérateur se situe à $\frac{1}{4}$ " (6,35 mm) du bas de la planche antibasculement (voir illustration). Ne pas écraser le couvercle du compresseur.



A. Centrer la planche [maximum de $\frac{1}{4}$ " (6,35 mm)] au-dessus du réfrigérateur
B. Deux planches de 2" x 4" x 32" (5 cm x 10 cm x 81 cm)
C. Fixer aux poteaux avec six vis n°8 x 3" (7,6 cm)
D. Couvercle du compresseur

IMPORTANT : Ajuster par à-coups pour éviter d'endommager la garniture du placard et causer des problèmes d'alignement de la porte ou d'insertion de la grille supérieure. Pour éviter d'endommager le placard ou les pieds de réglage de l'aplomb, ne pas appliquer sur les boulons un couple supérieur à 50 lb/pe (5,65 Nm). Les pieds de réglage de l'aplomb peuvent être déployés à un maximum de $1\frac{1}{4}$ " (3,18 cm) au-dessous des roulettes.

4. Pour les séries Classique et Overlay, des ajustements supplémentaires peuvent être nécessaires après l'installation des panneaux personnalisés.

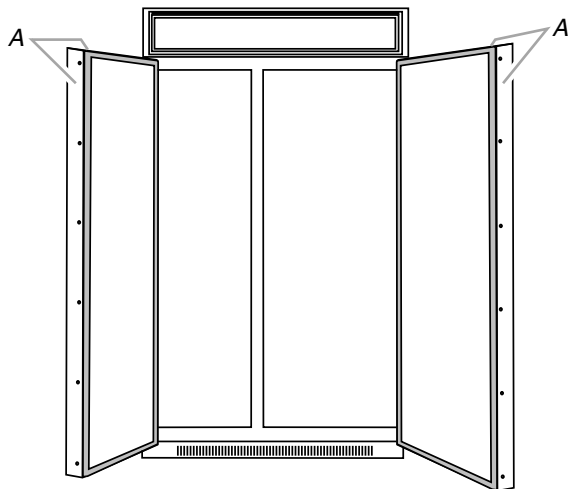
Installation des panneaux personnalisés de la Série Overlay

IMPORTANT :

- Installer les poignées personnalisées avant d'installer les panneaux sur le réfrigérateur. Pour plus de renseignements sur la sélection de poignées personnalisées Jenn-Air, consulter le Catalogue Jenn-Air, visiter le site www.jennair.com ou téléphoner au **1-800-JENNAIR (1-800-536-6247)**. Au Canada, visitez www.jennair.ca ou téléphoner au **1-800-807-6777**.
- Créer des panneaux décoratifs personnalisés conformément aux spécifications de la section "Panneaux personnalisés de la Série Overlay".
- Jenn-Air n'est pas responsable des opérations d'enlèvement et de réinstallation des moulures ou panneaux décoratifs qui entraveraient l'accès au réfrigérateur lors d'une intervention de réparation.

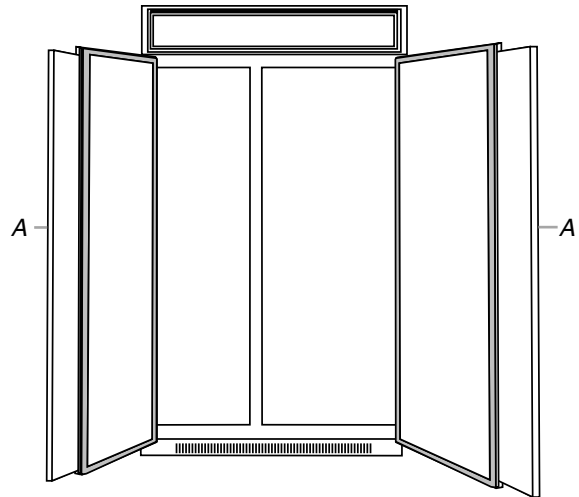
Installation des panneaux de porte

1. Enlever tout le ruban adhésif et le matériel d'assujettissement des portes du réfrigérateur et du congélateur.
2. Ouvrir les portes des compartiments de réfrigération et de congélation.
3. Enlever les garnitures supérieures et du côté des poignées.



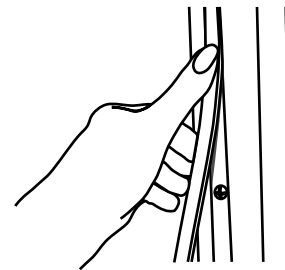
A. Garnitures

4. Glisser les panneaux personnalisés dans les garnitures inférieures et du côté des charnières, dans les portes des compartiments de réfrigération et de congélation, en s'assurant que le panneau d'appui entre dans les garnitures du côté des charnières.



A. Panneaux

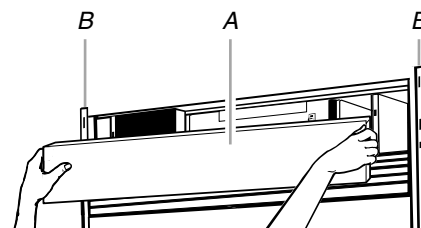
5. Réinstaller les garnitures supérieures et du côté des poignées.
6. Enlever la pellicule protectrice des capuchons de vis. Faire coulisser ou emboîter les capuchons de vis dans la section de garniture de la poignée.



7. Vérifier que le réfrigérateur est d'aplomb et aligné avec le placard. Ajuster si nécessaire.

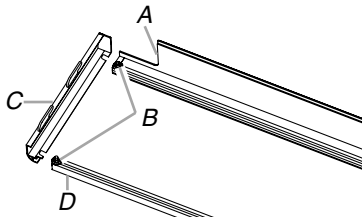
Panneau de la grille supérieure

1. Saisir les deux extrémités de la grille supérieure.
2. Pousser la grille tout droit vers le haut, puis tout droit vers l'extérieur. Poser la grille supérieure côté panneau vers le bas sur une surface de travail souple.



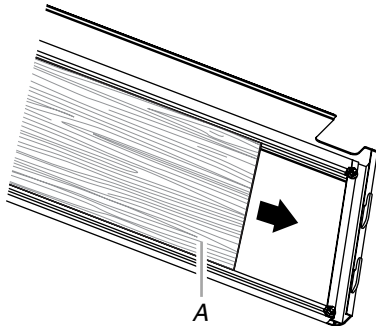
A. Grille supérieure
B. Garniture latérale de la caisse

3. Enlever un embout en desserrant les écrous et en faisant glisser et sortir l'embout.



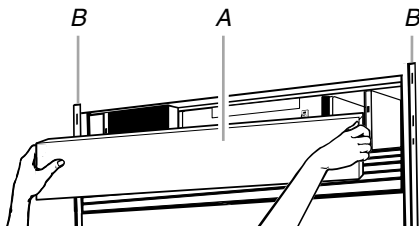
A. Tringle inférieure C. Embout
B. Écrous D. Tringle supérieure

4. Glisser le panneau d'appui dans la tringle de la grille supérieure et réinstaller l'embout.



A. Panneau d'appui

5. Réinstaller la grille supérieure dans les garnitures latérales et tirer légèrement le panneau vers le bas pour le verrouiller en place.



A. Grille supérieure
B. Garniture latérale de la caisse

Ajustement des portes

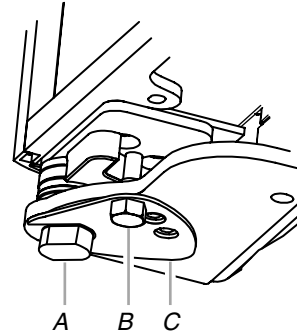
Ajustement de la hauteur des portes

Suivre les étapes suivantes pour ajuster la hauteur des portes vers le haut ou vers le bas, après que les portes ont été mises d'aplomb.

1. Ouvrir la porte du congélateur ou du réfrigérateur. Trouver la charnière inférieure et enlever la vis de butée de porte.

Styles Euro et Pro-Style®

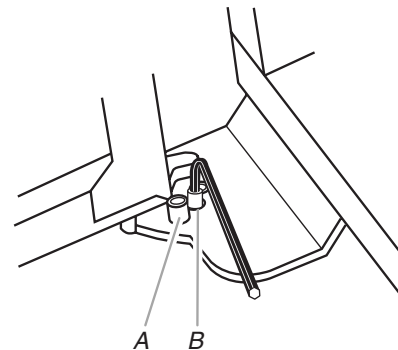
Ôter la vis de butée de porte (côté inférieur de la charnière); utiliser une clé plate de $\frac{3}{8}$ ".



A. Bague
B. Vis de la butée de la porte
C. Plaque de verrouillage

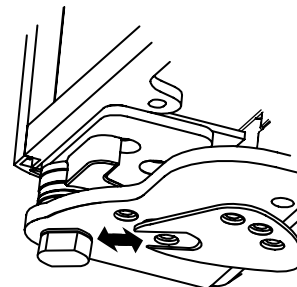
Style Overlay

Ôter les deux vis de butée de porte : une vis sur le côté inférieur (utiliser une clé plate de $\frac{3}{8}$ ") et l'autre vis sur le côté supérieur (utiliser une clé à tête hexagonale de $\frac{5}{32}$ ").



A. Vis de la butée de la porte du dessous
B. Vis de la butée de la porte du dessous (110°)

2. Enlever la plaque de verrouillage tel qu'illustré.

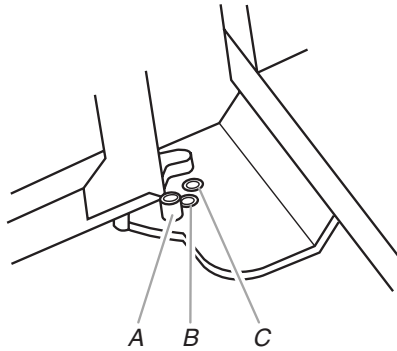


3. Faire tourner la bague située sous la charnière – utiliser une clé plate de $\frac{1}{2}$ ". La rotation de la bague vers la gauche provoque un abaissement de la porte. La rotation de la bague vers la droite provoque un soulèvement de la porte.

4. Après l'ajustement, vérifier les portes pour s'assurer qu'elles sont égales en haut et en bas. Si les portes ne sont pas égales, continuer de tourner la bague pour ajuster la hauteur de la porte.
5. Réinstaller la plaque de verrouillage.
6. Tourner légèrement la bague pour aligner les trous de vis de la charnière et ceux de la plaque de verrouillage.
7. Réinstaller la ou les vis de la butée de porte et serrer.
IMPORTANT : Ne pas placer la vis de butée de porte à la position 130° pour un modèle de la Série Overlay, sauf si les panneaux personnalisés ont été usinés sur le côté charnière. Voir "Série Overlay – Panneau de porte et placard – espace libre".
8. Procéder à une vérification finale pour s'assurer que les portes sont alignées et égales.

Ajustement du pivotement des portes

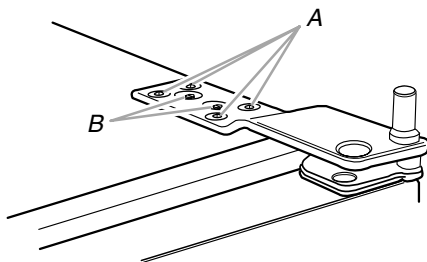
1. S'assurer que la porte du réfrigérateur s'ouvre librement. Si la porte s'ouvre trop grand, enlever la ou les vis de la butée de porte (selon le modèle) de la charnière inférieure. Voir "Ajustement de la hauteur des portes" plus haut dans cette section.
2. Tenir la porte ouverte à une position de moins de 90°.
3. Réinstaller la ou les vis de butée de porte dans la charnière inférieure et serrer.



- A. 130°
- B. 110° (Série Overlay)
- C. 90°

Ajustement de la garniture porte-à-porte ou porte-à-réfrigérateur

1. Desserrer sans les enlever les quatre vis de montage Torx®† 27 (tête plate) et les deux vis de montage de 1/4" à tête hexagonale.
2. Ajuster la charnière supérieure de l'une des deux portes pour l'aligner avec l'autre porte ou la garniture du réfrigérateur.
3. Resserrer les quatre vis Torx®† 27 à tête plate (couple d'environ 100 lb/po (11,3 Nm) et serrer les deux vis de montage de 1/4" à tête hexagonale.



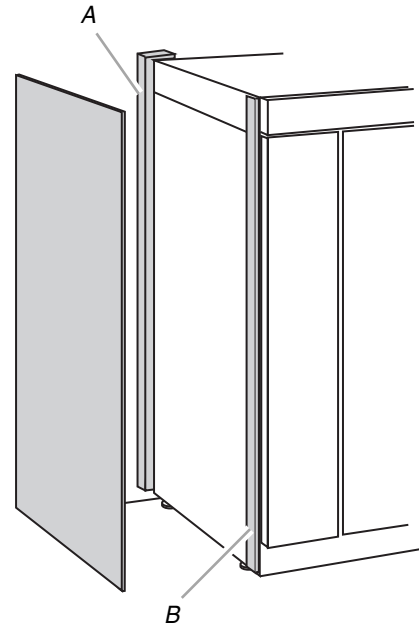
- A. Vis de montage Torx® 27 à tête plate
- B. Vis de montage de 1/4" à tête hexagonale

Installation du panneau latéral

Si la profondeur de la cavité d'encastrement est de 25" (63,5 cm) ou plus, on peut insérer chaque panneau latéral dans la garniture latérale ou le fixer à l'extérieur la garniture latérale.

IMPORTANT : Jenn-Air n'est pas responsable des opérations de dépose et de réinstallation des moulures ou panneaux décoratifs qui entraveraient l'accès au réfrigérateur lors d'une intervention de réparation.

1. Pour la pièce de garniture latérale, insérer la rive avant du panneau latéral usiné dans la garniture.
2. Clouer la rive arrière du panneau sur la planche d'appui.



- A. Planche d'appui (montée sur le mur arrière)
- B. Garniture latérale du placard

Installation de la grille de la base

La grille de la base comporte deux pièces pour permettre un ajustement personnalisé : la grille de la base elle-même et la plinthe. La plinthe peut être ajoutée à la grille de la base pour la prolonger jusqu'au plancher.

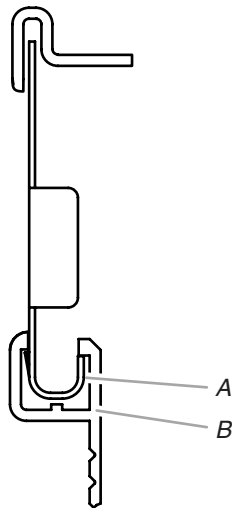
1. Pour voir si la plinthe est nécessaire, placer la grille de la base en position. Ne pas fixer la grille de la base au réfrigérateur. Mesurer la distance entre le fond de la grille de la base et le plancher. L'espace doit mesurer au moins 1/2" (1,27 cm) pour ajouter la plinthe.

REMARQUE : Si l'espace mesure moins de 1/2" (1,27 cm), omettre les étapes 3 et 4 des instructions et installer uniquement la grille de la base.

2. Enlever le film de protection de la grille de la base.

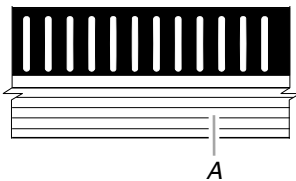
†TORX est une marque déposée de Saturn Fasteners, Inc.

3. Emboîter la plinthe sur la grille de la base.



A. Grille de la base
B. Plinthe

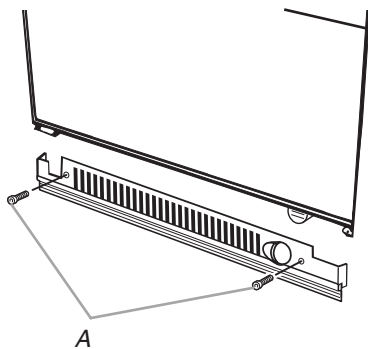
4. Entailler la plinthe en marquant la rainure en V appropriée avec un couteau utilitaire. Briser la plinthe sur la ligne d'entaille.



A. Rainure en V

5. À l'aide des deux vis, fixer la grille de la base au réfrigérateur, tel qu'illustré.

REMARQUE : Insérer d'abord la vis du côté droit.



A. Vis (2)

Achever l'installation

1. Tourner le robinet de la canalisation d'eau à la position "Open" (ouvert).
2. Tourner le commutateur du réfrigérateur à la position ON (marche). Voir la section "Commutateur marche/arrêt" dans le Guide d'utilisation et d'entretien pour les instructions. Attendre quelques minutes. Vérifier les raccords de la canalisation d'eau pour voir s'il y a des fuites.
3. Retirer toutes les boîtes, tous les sachets de pièces et tous les matériaux d'emballage de l'intérieur du réfrigérateur. Voir la section "Nettoyage" dans le Guide d'utilisation et d'entretien pour les instructions. Ôter la pellicule protectrice et le carton de la grille et des portes ou du châssis de la porte, selon le modèle.
4. Installer les tablettes et bacs dans les compartiments de réfrigération et de congélation.
5. Les commandes sont pré-réglées à l'usine au réglage moyen. S'assurer que le compresseur fonctionne bien et que toutes les lampes s'allument.
6. Purger le système d'eau avant l'utilisation. Voir "Préparation du système d'eau."

Pour l'utilisation la plus efficace de votre nouveau réfrigérateur encastré, lire le Guide d'utilisation et d'entretien. Conserver les instructions d'installation et le Guide d'utilisation et d'entretien près du réfrigérateur encastré pour s'y référer facilement.

Préparation du système d'eau

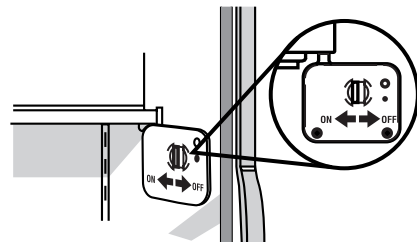
Veillez lire avant d'utiliser le circuit d'eau. Suivre les instructions relatives au modèle utilisé.

Style 1 – Modèles avec distributeur

IMPORTANT : Après avoir raccordé le réfrigérateur à l'alimentation en eau ou avoir remplacé le filtre à eau, suivre les étapes ci-dessous pour s'assurer que le circuit d'eau est correctement nettoyé. Ceci évacue l'air du filtre et du système de distribution d'eau et rend le filtre à eau opérationnel.

Le commutateur On/Off (marche/arrêt) se trouve dans la partie supérieure droite du compartiment de congélation.

1. Ouvrir la porte du congélateur et arrêter la machine à glaçons. Déplacer l'interrupteur au réglage OFF (à droite) tel qu'indiqué sur l'illustration.



REMARQUE : Si votre modèle est muni d'un système de filtre à la grille de la base, s'assurer que le filtre à la grille de la base est bien installé et que la capsule est à la position horizontale.

Ne pas utiliser pour le filtrage d'une eau microbiologiquement polluée ou de qualité inconnue en l'absence d'un dispositif de désinfection adéquat avant ou après le système. Les systèmes certifiés pour la réduction de kyste peuvent être utilisés pour l'eau désinfectée qui peut contenir des kystes filtrables.

2. Utiliser un récipient robuste pour appuyer sur le levier du distributeur d'eau pendant 5 secondes, puis relâcher pendant 5 secondes. Répéter l'opération jusqu'à ce que l'eau commence à couler. Une fois que l'eau commence à couler, répéter l'opération (appui sur le levier du distributeur pendant 5 secondes puis relâchement pendant 5 secondes) jusqu'à ce qu'un total de 3 gallons (12 L) ait été distribué. Ceci permettra d'évacuer l'air du filtre et du système de distribution d'eau et rend le filtre à eau opérationnel. Une vidange supplémentaire peut être nécessaire dans certains domiciles.

REMARQUE : Pendant l'évacuation de l'air, l'eau peut gicler du distributeur.

3. Ouvrir la porte du congélateur et mettre en marche la machine à glaçons. Déplacer l'interrupteur à la position ON (à gauche).
 - Attendre 24 heures pour obtenir la première quantité de glaçons.
 - Jeter les trois premières quantités de glaçons produites.
 - Selon le modèle que vous avez, vous pouvez vouloir choisir la caractéristique de production maximale de glaçons pour augmenter la production de glaçons.

Style 2 – Modèles sans distributeur

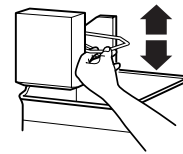
IMPORTANT : Après avoir raccordé le réfrigérateur à l'alimentation en eau ou avoir remplacé le filtre à eau, remplir et jeter deux récipients entiers de glaçons pour que le filtre soit prêt à être utilisé, avant d'utiliser les glaçons.

Ne pas utiliser pour le filtrage d'une eau microbiologiquement polluée ou de qualité inconnue en l'absence d'un dispositif de désinfection adéquat avant ou après le système. Les systèmes certifiés pour la réduction de kyste peuvent être utilisés pour l'eau désinfectée qui peut contenir des kystes filtrables.

1. Mettre en marche la machine à glaçons. Abaisser le bras d'arrêt en broche comme illustré. Veuillez vous référer à la section "Machine à glaçons et bac d'entreposage" pour d'autres instructions sur le fonctionnement de votre machine à glaçons.

REMARQUES :

- Attendre 24 heures pour obtenir la première quantité de glaçons.
- Prévoir un délai de 3 jours pour le remplissage complet du récipient à glaçons.
- Selon le modèle que vous avez, il peut être judicieux de choisir la caractéristique de production maximale de glaçons pour augmenter la production de glaçons.



REMARQUE : Si votre modèle est muni d'un système de filtre à la grille de la base, s'assurer que le filtre à la grille de la base est bien installé et que la capsule est à la position horizontale.

W10379134A

© 2011.
All rights reserved.
Todos los derechos reservados.
Tous droits réservés.

® Registered Trademark™/Trademark of Jenn-Air, U.S.A. Used under license in Canada.
® Marca registrada™/Marca de comercio de Jenn-Air, U.S.A. Usada en Canadá bajo licencia.
® Marque déposée™/Marque de commerce de Jenn-Air, U.S.A. Emploi sous licence au Canada.

3/11
Printed in U.S.A.
Impreso en EE.UU.
Imprimé aux É.-U.

Free Manuals Download Website

<http://myh66.com>

<http://usermanuals.us>

<http://www.somanuals.com>

<http://www.4manuals.cc>

<http://www.manual-lib.com>

<http://www.404manual.com>

<http://www.luxmanual.com>

<http://aubethermostatmanual.com>

Golf course search by state

<http://golfingnear.com>

Email search by domain

<http://emailbydomain.com>

Auto manuals search

<http://auto.somanuals.com>

TV manuals search

<http://tv.somanuals.com>