

# INSTALLATION INSTRUCTIONS

## Triple Bay Conventional Gas Prostyle™ Grill Cooktop Model JGD8348CDP

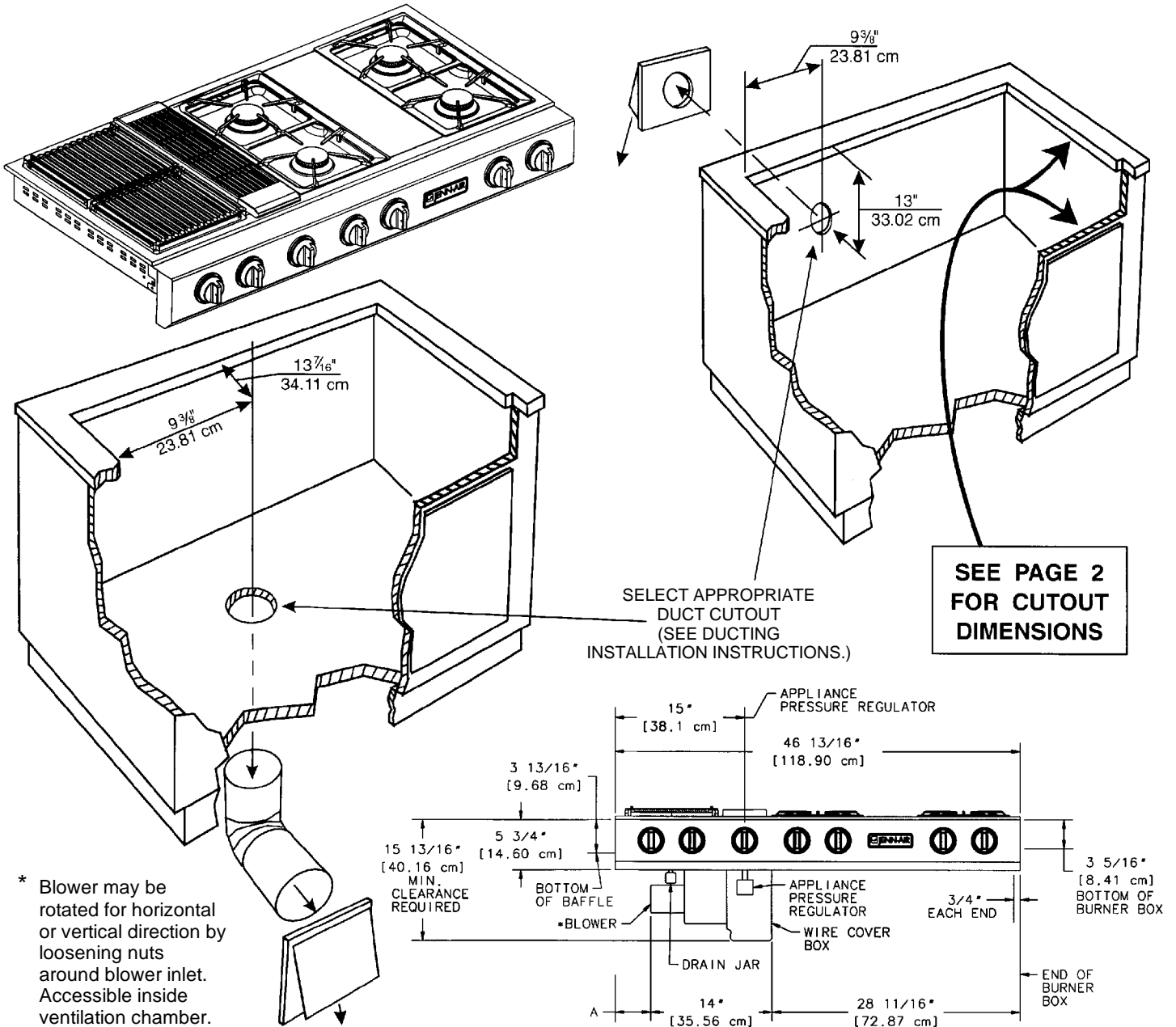
**JENN-AIR**

403 WEST FOURTH STREET, NORTH • NEWTON, IA 50208

Dimensions shown in both inches and centimeters

**NOTICE TO INSTALLER:** Leave these instructions with the appliance.

**NOTICE TO CONSUMER:** Retain these instructions for future reference.



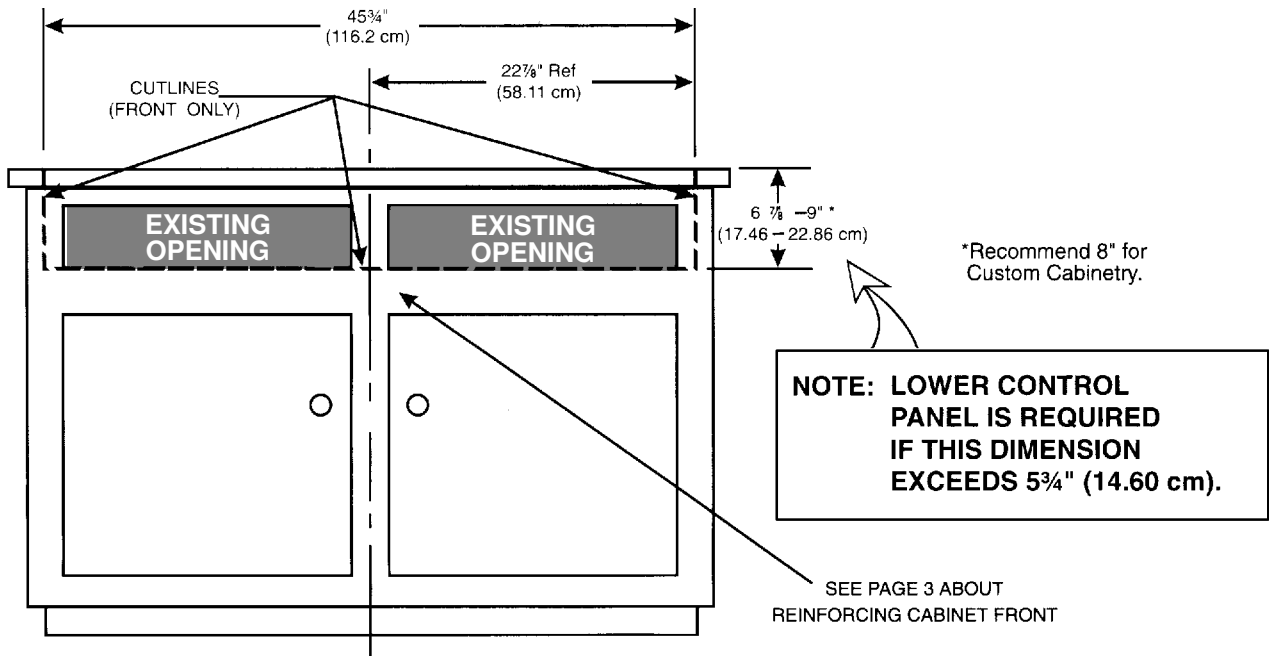
### INSTRUCTIONS TO INSTALLER:

- Dimension "A" - provide 2" min. (5.08 cm) cabinet clearance to motor for cooling purpose.
- **NOTE:** Where possible, 6" (15.54 cm) is recommended for motor/blower service.
- Side Clearance: Grills installed near a side wall must allow a minimum clearance of 8" (20.32 cm).
- Access must be provided to remove and empty grease container.

**8101P620-60**  
(11-03-00)



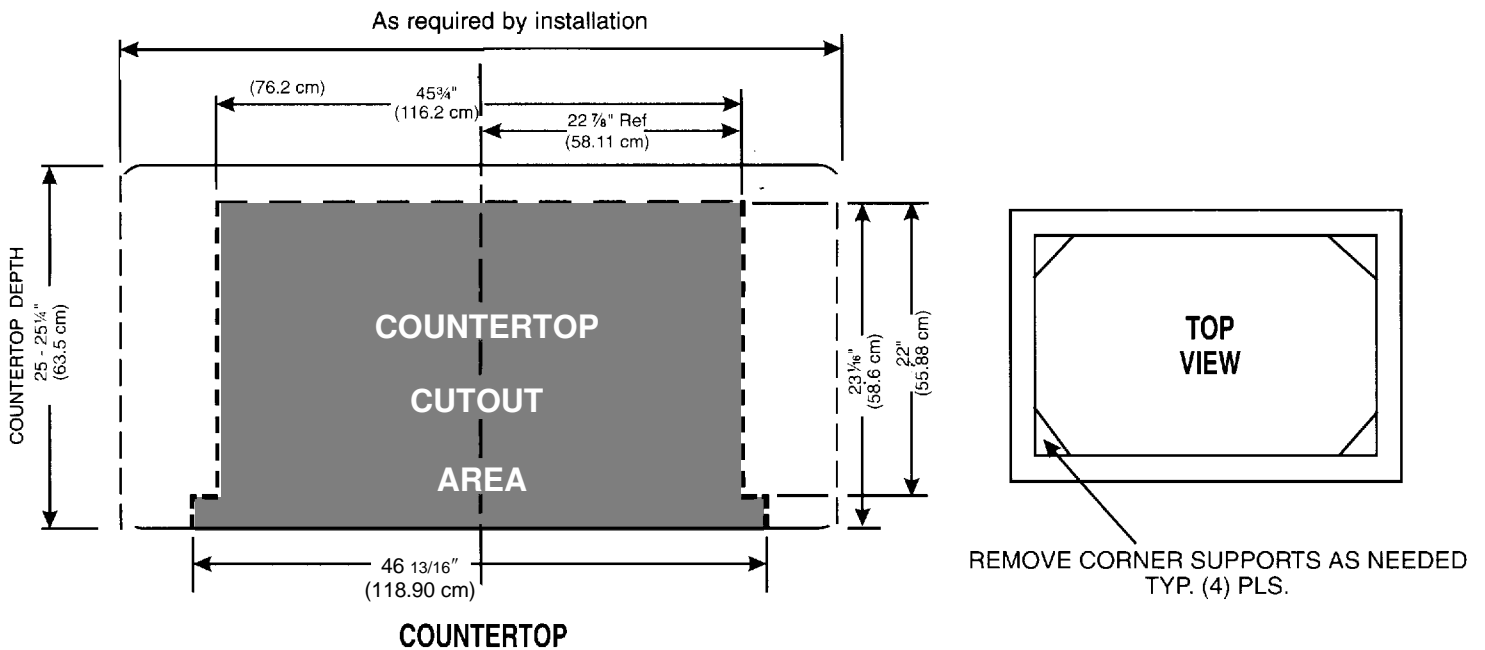
# CABINET and COUNTERTOP CUTOUTS



**CABINET  
(FRONT VIEW)**

See cutout suggestions 1-4 on page 6.

**NOTE: Tolerances for Cutout Dimensions are  $\pm 1/16$  in (.16 cm)**



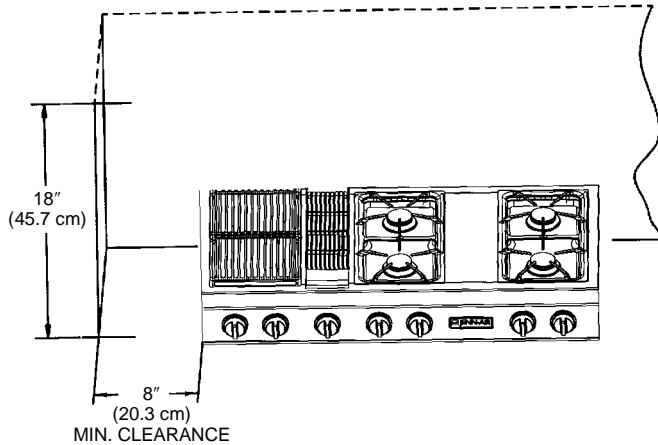
**COUNTERTOP**

## Installing Cabinetry Over Your Jenn-Air Grill

Minimum horizontal clearance between the edge of the appliance and combustible construction extending from the cooking surface to 18" (45.7 cm) above the cooking surface is:

1 $\frac{3}{4}$ " (4.45 cm) at rear  
8" (20.32 cm) at sides

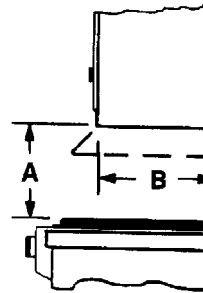
**NOTE:** This is not the recommended clearance, but minimum allowable clearance.



\* A = 30" (76.2 cm) minimum vertical clearance between cooking surface and construction above the appliance.

B = 13" (33.02 cm) maximum depth of cabinets installed above cooking top.

Avoid use of cabinets above cooktop for storage space to eliminate associated potential hazards such as reaching over open flames.



Dotted lines indicate range hood construction.

\* To eliminate the risk of burns or fire by reaching over heated surface units, cabinet storage space located above the surface units should be avoided. If cabinet storage is to be provided, the risk can be reduced by installing a range hood that projects horizontally a minimum of 5 inches beyond the bottom of the cabinets.

## Cabinets Above Cooking Top

Maximum depth of cabinets installed above cooking top is 13 inches.

**CAUTION:** SOME CABINETS AND BUILDING MATERIALS ARE NOT DESIGNED TO WITHSTAND THE HEAT PRODUCED BY THE NORMAL SAFE OPERATION OF A LISTED APPLIANCE. DISCOLORATION OR DAMAGE, SUCH AS DELAMINATION, MAY OCCUR.

## Installation Of Appliance

### In The Commonwealth Of Massachusetts

This product must be installed by a licensed plumber or gas fitter when installed within the Commonwealth of Massachusetts.

A "T" handle type manual gas valve must be installed in the gas supply line to this appliance.

A flexible gas connector, when used, must not exceed a length of three (3) feet / 36 inches.

Follow accompanying ducting instructions carefully.

This appliance is designed to always be vented outdoors.

The Countertop Cutout, Cabinet Front Cutout and Duct Opening should be prepared according to the illustration on pages 1 and 2.

Install the Lower Control Panel in the bottom of the Cabinet Cutout as shown using screws from Hardware pack. (Figure 1).

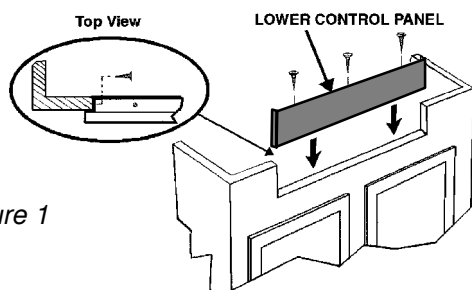


Figure 1

Position unit in the Countertop Cutout. Main Control Panel should overlap top of Lower Control Panel as shown. (Figure 2).

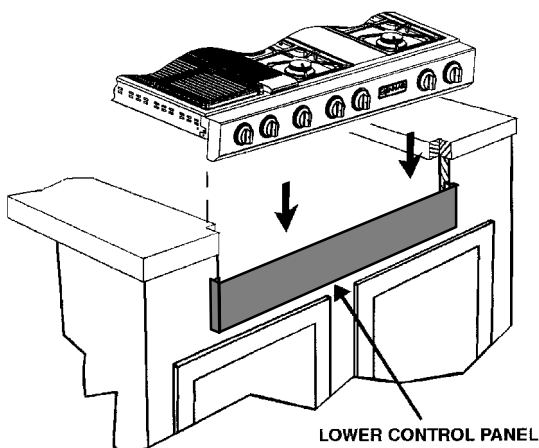


Figure 2

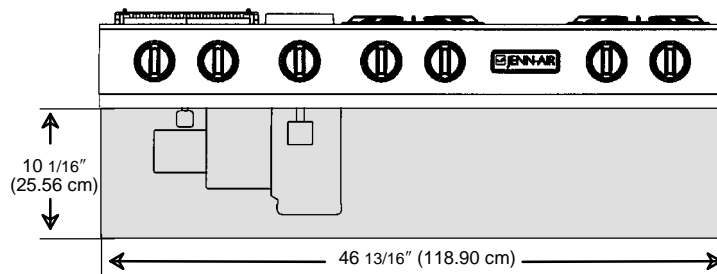
**NOTE:** For some cabinet styles, it may be necessary to reinforce the front of the cabinet by attaching a brace from front to rear inside the cabinet under the Burner Box.

Install ductwork per ducting instructions provided. Duct openings in cabinet are shown in the drawing on page 1. Make electrical and gas connections as described below in this section of the instructions.

The installation of this appliance must conform with local codes or, in the absence of local codes, with the latest edition of the National Fuel Gas Code, ANSI Z.223.1 USA or current CAN/CGA-B149 INSTALLATION CODE.

The electrical supply required is 110/120-volt, A.C., 15 amp, 60 Hz. This appliance is equipped with a grounded type power cord. A grounded outlet must be provided. It is recommended, for convenience, this outlet be located in the area shown in the shaded illustration. This appliance, when installed, must be electrically grounded in accordance with local codes or, in the absence of local codes, with the latest edition of the National Electrical Code ANSI/NFPA No. 70 USA or current CSA STANDARD C22.1 Canadian Electrical Code part 1.

User may experience occasional circuit tripping if Ground Fault Circuit Interrupter (GFCI) outlet or breaker is in use.



## Servicing Cooktop

When servicing cooktop it is necessary to remove the main top, prior to removing the control panel.

## Connecting Appliance To Gas Supply

A QUALIFIED SERVICEMAN OR GAS APPLIANCE INSTALLER MUST MAKE THE GAS SUPPLY CONNECTION. Leak testing of the appliance shall be conducted by the installer according to the instructions given.

Install a manual shutoff valve in an accessible location in the gas line external to this appliance for the purpose of turning on or shutting off gas to the appliance.

Make the gas connection to the inlet of the appliance pressure regulator on this appliance with a 1/2" male pipe thread. Use an approved pipe joint compound resistant to the action of LP gas at pipe connections. Test all joints for gas leaks with a soap and water solution or other accepted leak detection means. Never test for gas leaks with an open flame.

**CAUTION:** WARRANTY IS VOID ON JENN-AIR EQUIPMENT INSTALLED OTHER THAN AS RECOMMENDED BY MANUFACTURER. RECOMMENDED WALL CAPS AND TRANSITIONS MUST BE UTILIZED FOR PROPER OPERATION AND INSTALLATION.

## WARNING

### ELECTRICAL GROUNDING INSTRUCTIONS

THIS APPLIANCE IS EQUIPPED WITH A THREE-PRONG GROUNDING PLUG FOR YOUR PROTECTION AGAINST SHOCK HAZARD AND SHOULD BE PLUGGED DIRECTLY INTO A PROPERLY GROUNDED RECEPTACLE. DO NOT CUT OR REMOVE THE GROUNDING PRONG FROM THIS PLUG.

## Air Shutter Adjustment

This appliance is shipped from the factory with air shutters adjusted for use with Natural Gas. If further adjustment is necessary, or to reset for use with LP, adjust air shutters as follows:

## Grill Burner and Surface Burner Cartridge Air Shutters

(See Illustrations "A" & "B")

The left hand air shutter controls the rear half of the burner. The right hand shutter controls the front half. Access to air shutters on the surface burner cartridge may be found through openings on the bottom of the cartridge housing.

Slide air shutters backward or forward to increase or decrease the size of the air opening. Air shutters fit snugly, so a screwdriver blade or needle nose pliers may be required to make this adjustment (see illustration).

Observe change in flame appearance as the air shutter is moved. Adjustment is satisfactory when a clearly defined, even blue flame results at the high flame setting. The snug fit of the air shutter assures it will remain positioned correctly.

### Grill Burner Air Shutter and Surface Burner (if so equipped)

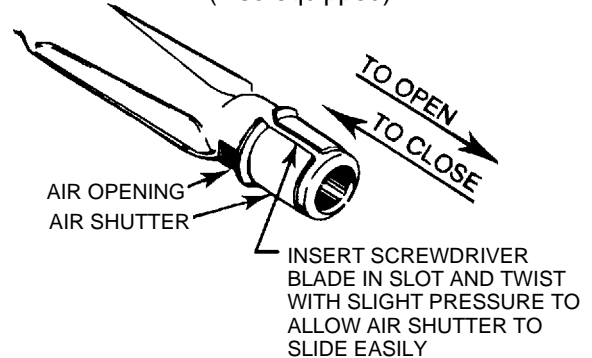


Illustration "A"

On any burner, closing the air shutter too far will cause the flame to become soft and yellow tipped. Opening the air shutter too wide will cause the flame to blow away from the burner ports. Proper adjustment will produce a sharp, clearly defined, even blue flame.

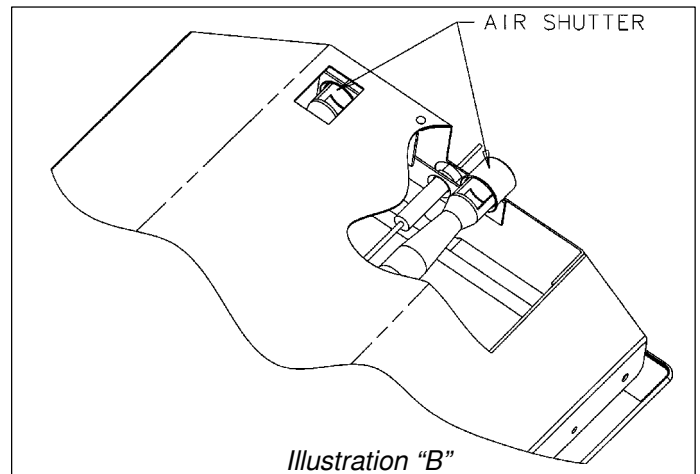


Illustration "B"

## Important Installation Suggestions

1. Chamfer all exposed edges of decorative laminate to prevent damage from chipping.
2. Radius corners of cutout and file to insure smooth edges and prevent corner cracking.
3. Rough edges, inside corners which have not been rounded and forced fits can contribute to cracking of the countertop laminate.
4. Countertop must be supported within 3" of cutout.

On any burner, closing the air shutter too far will cause the flame to become soft and yellow tipped. Opening the air shutter too wide will cause the flame to blow away from the burner ports. Proper adjustment will produce a sharp, clearly defined, even blue flame.

## Low Flame Adjustment

(See Illustration "C")

This appliance is shipped from the factory with low and medium flame settings adjusted for use with Natural Gas. If further adjustment is necessary, or to re-adjust for use with LP, proceed as follows:

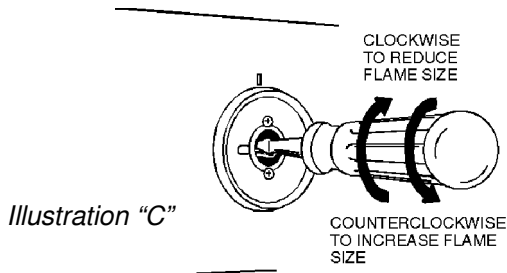
1. Light burner and set control knob for low flame.
2. Remove control knob from valve stem.

**CAUTION:** NEVER USE A METAL BLADE TO PRY KNOB OFF. IF KNOB CANNOT BE EASILY REMOVED, TUCK THE FOLDS OF A CLOTH DISHTOWEL UNDER THE KNOB AND PULL THE TOWEL UPWARD WITH STEADY, EVEN PRESSURE.

3. Insert a slender, thin-blade screwdriver into the recess at center of valve stem and engage blade with slot in adjusting screw.  
... clockwise to reduce.  
... counterclockwise to increase.
5. Replace control knob when adjustment is completed.

Proper adjustment will produce a stable, steady blue flame of minimum size. The final adjustment should be checked by turning knob from high to low several times without extinguishing the flame.

This adjustment, at low setting, will automatically provide the proper flame size at medium setting.



## Pressure Testing

The maximum gas supply pressure for the appliance pressure regulator supplied on this appliance is 14" W.C. The test pressure for checking this appliance pressure regulator must be at least 6" W.C. for Natural Gas, and at least 11" W.C. for LP. It is shipped from the factory set for Natural Gas at 5" W.C.

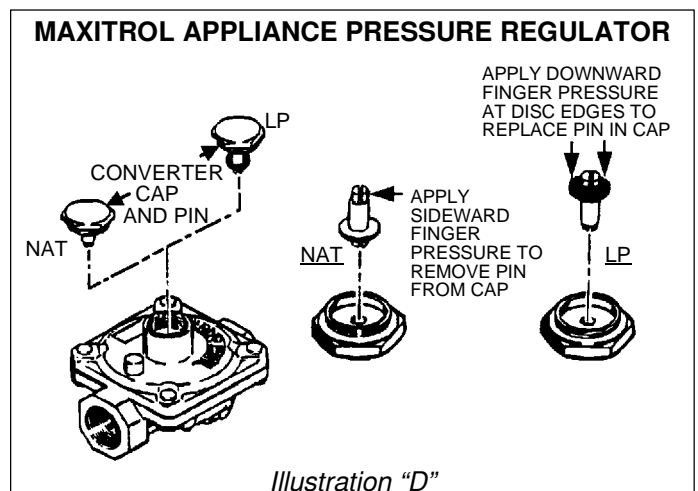
This appliance and its individual shutoff valve must be disconnected from the gas supply piping system during any pressure testing of that system at test pressures in excess of 1/2" PSIG (3.5 k Pa).

This appliance must be isolated from the gas supply piping system by closing its individual manual shutoff valve during any pressure testing of the gas supply piping system at test pressures equal to or less than 1/2" PSIG (3.5 k Pa).

## Appliance Pressure Regulator Conversion

(See Illustration "D")

This unit is supplied with a Maxitrol Appliance Pressure Regulator. Follow the instructions in illustration "D".



## Conversion To LP Gas

This appliance is shipped from the factory equipped for use with Natural Gas. To convert it from Natural Gas for use with LP Gas, perform steps 1 through 4.

1. Remove Natural Gas orifice hoods. Install color coded orifice hoods supplied. Located in a pack attached to the outer plenum area of this appliance.

(See Illustration "E", below, and LP Gas Conversion instructions page 8).

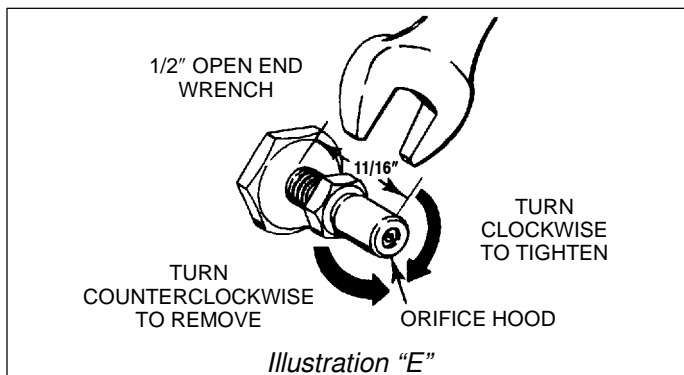
2. Invert cap in convertible pressure regulator (if so equipped) located at entrance to gas manifold.
3. Adjust air shutters on individual burners for proper flame appearance.
4. Adjust low flame setting at each burner by turning adjustment screw in center of valve stem.

To make these conversions adjustments follow the instructions and illustrations ("A" through "E", pages 5-7).

### IMPORTANT

Apply a non-corrosive leak detection fluid to all joints and fittings in the gas connection between the supply line shut-off valve and the range. Include gas fitting and joints in the range if connections were disturbed during installation. Check for leaks! Bubbles appearing around fittings and connections will indicate a leak. If a leak appears, turn off supply line gas shut-off valve, tighten connections, turn on the supply line gas shut off valve, and retest for leaks. Never test for gas leaks with an open flame.

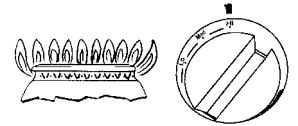
This appliance is shipped from the factory with orifice hoods drilled for use with Natural Gas. To convert from Natural Gas to LP, apply a 1/2" open-end wrench to hex section of orifice hood. Turn counterclockwise to remove. Save the Natural Gas orifice hoods just removed from this appliance for future use. Install color coded orifice hoods supplied. (See LP Gas Conversion instructions above and page 8). Turn clockwise to install. Hold dimension specified in illustration "E".



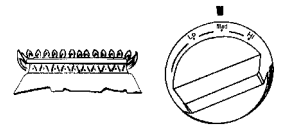
## Control Settings

The size and type of cookware and the amount and type of food being cooked will influence the setting needed for best cooking results. The setting indicated should serve as a guide while you become familiar with your cooktop.

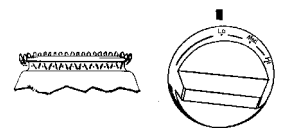
Use the **HI** flame setting to quickly bring foods to a boil or to begin a cooking operation. Then reduce to a lower setting to continue cooking. Never leave food unattended over a HI flame setting.



**Med** setting is used to continue a cooking operation. Food will not cook any faster when a HI flame setting is used than that needed to maintain a gentle boil. Remember, water boils at the same temperature whether boiling gently or vigorously.



Use **LO** setting to keep food at serving temperatures without further cooking. You may find that some cooking may take place if the cookware is covered.



# TO CONVERT APPLIANCE FOR USE WITH PROPANE GAS

## Natural Gas To Propane Gas (LP) Conversion Instructions

### **⚠ WARNING**

Propane Gas conversion is to be performed by a Jenn-Air Authorized Service Contractor (or other qualified agency) in accordance with the manufacturer's instructions and all codes and requirements of the authority having jurisdiction. Failure to follow instructions could result in serious injury or property damage. The qualified agency performing this work assumes responsibility for this conversion.

### **⚠ WARNING**

**ELECTRICAL POWER AND GAS MUST BE TURNED OFF PRIOR TO CONVERSION**

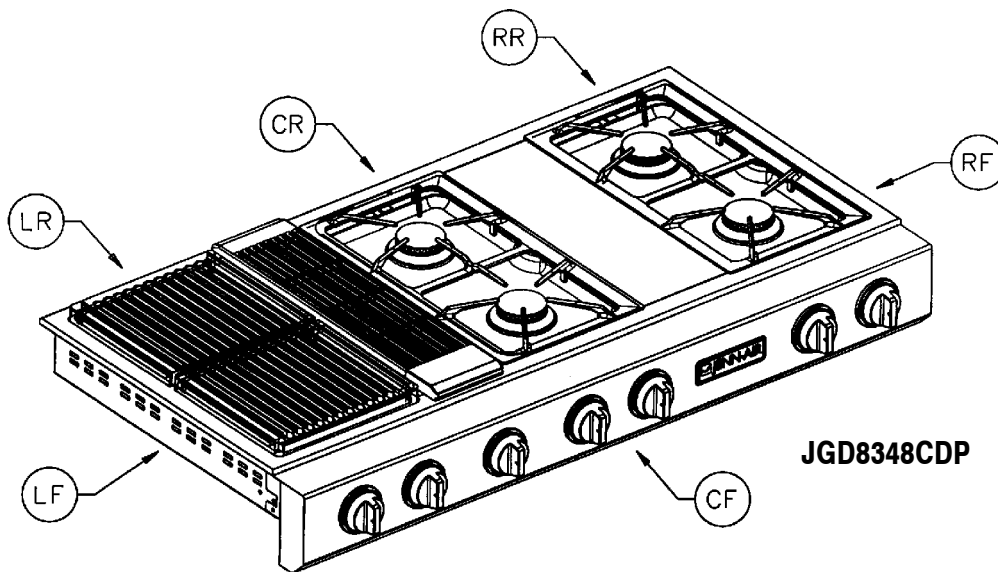
### Models - JGD8348CDP

Manifold - Propane Gas pressure required - 10" W.C.

Incoming Propane Gas pressure required to appliance pressure regulator - 11" - 12" W.C.

Propane Conversion Orifice Hoods are supplied with this model.

Propane Gas input specified - 46,000 BTU/hr.



BURNER	BTU/hr	ORIFICE	INCHES DIAMETER	COLOR
Left Rear (LR)	7500	#66	.033	Zinc
Left Front (LF)	7500	#66	.033	Zinc
Center Rear (CR)	6500	#68	.031	Red
Center Front (CF)	9000	#63	.037	Blue
Right Rear (RR)	6500	#68	.031	Red
Right Front (RF)	9000	#63	.037	Blue



# TO CONVERT APPLIANCE FOR USE WITH NATURAL GAS

## Propane Gas (LP) To Natural Gas Conversion Instructions

If this appliance has been converted for use with LP Gas, each of the following modifications must be performed to convert the unit back to Natural Gas.

### **⚠ WARNING**

Natural Gas conversion is to be performed by a Jenn-Air Authorized Service Contractor (or other qualified agency) in accordance with the manufacturer's instructions and all codes and requirements of the authority having jurisdiction. Failure to follow instructions could result in serious injury or property damage. The qualified agency performing this work assumes responsibility for this conversion.

### **⚠ WARNING**

**ELECTRICAL POWER AND GAS MUST BE  
TURNED OFF PRIOR TO CONVERSION**

## Model - JGD8348CDP

Manifold - Natural Gas pressure required - 5" W.C.

Incoming Natural Gas pressure required to appliance pressure regulator - 6" - 7" W.C.

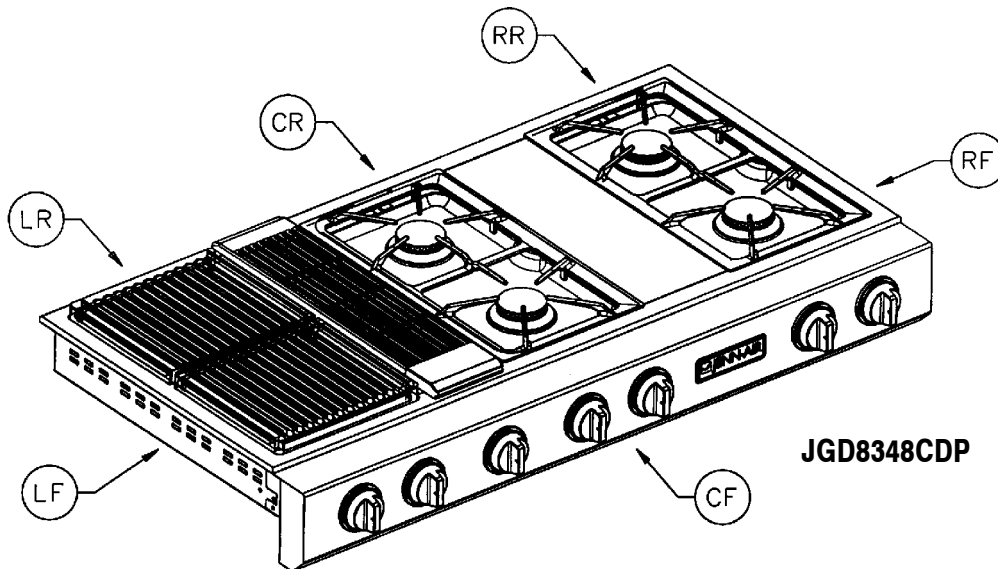
Natural Gas input specified - 56,000 BTU/hr.

A. Replace all orifice hoods - Perform steps 1 through 4 on page 7. Locate the (6) six Natural Gas hoods (with small numbers stamped on their sides saved from the original Natural Gas unit). Page 5 Illustration "E". The two hoods with .0520 (#55 orifice) stamped on them are for the left front and left rear burners. The four hoods with the .0595 (#53 orifice) stamped on them are for the two right burners.

**To make these conversion adjustments follow the instructions and illustrations ("A" through "E") pages 5-7.**

B. Invert cap in appliance pressure regulator (see Illustration "D", page 6). With the appliance installed, the appliance pressure regulator is located on the right underside of the appliance at the inlet to the gas manifold. Identify the type of appliance pressure regulator on the unit and follow the instructions in the appropriate illustration.

C. Adjust low flame setting for each burner. Follow the instructions for burner low flame adjustment on page 7 to increase the simmer flame size.

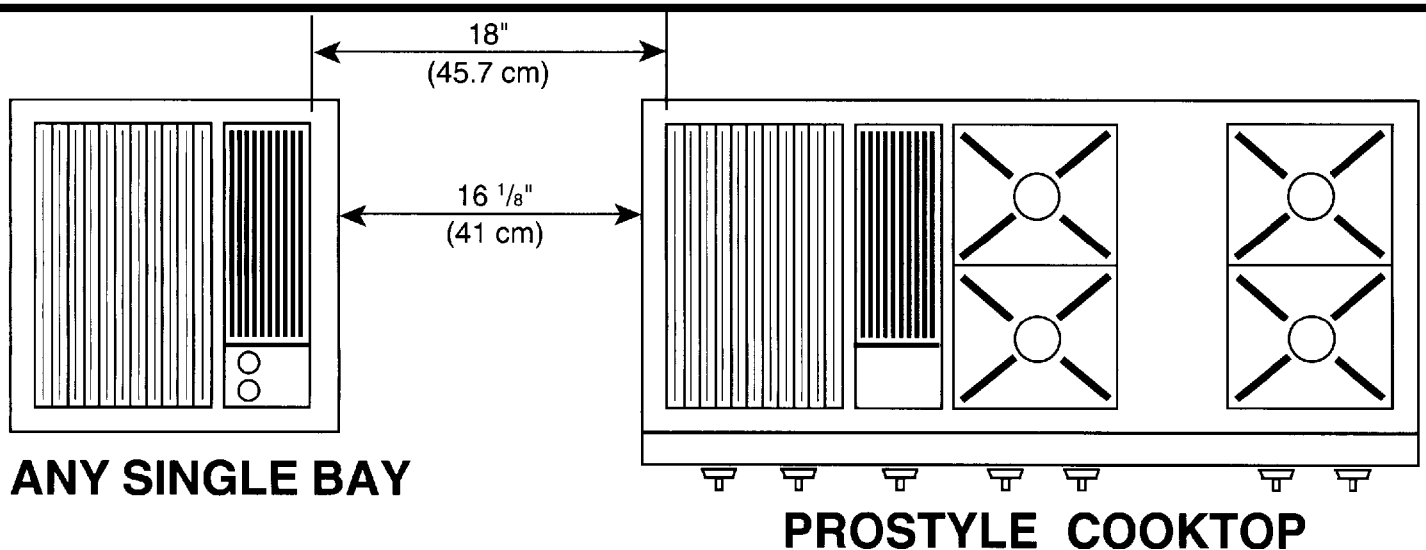
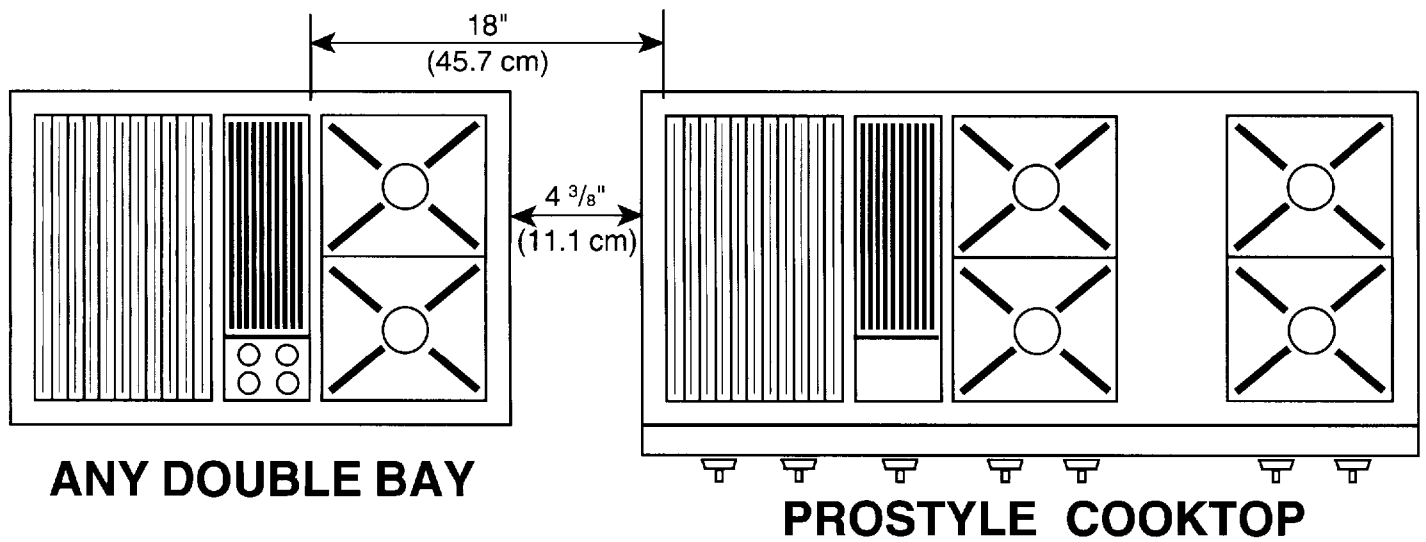
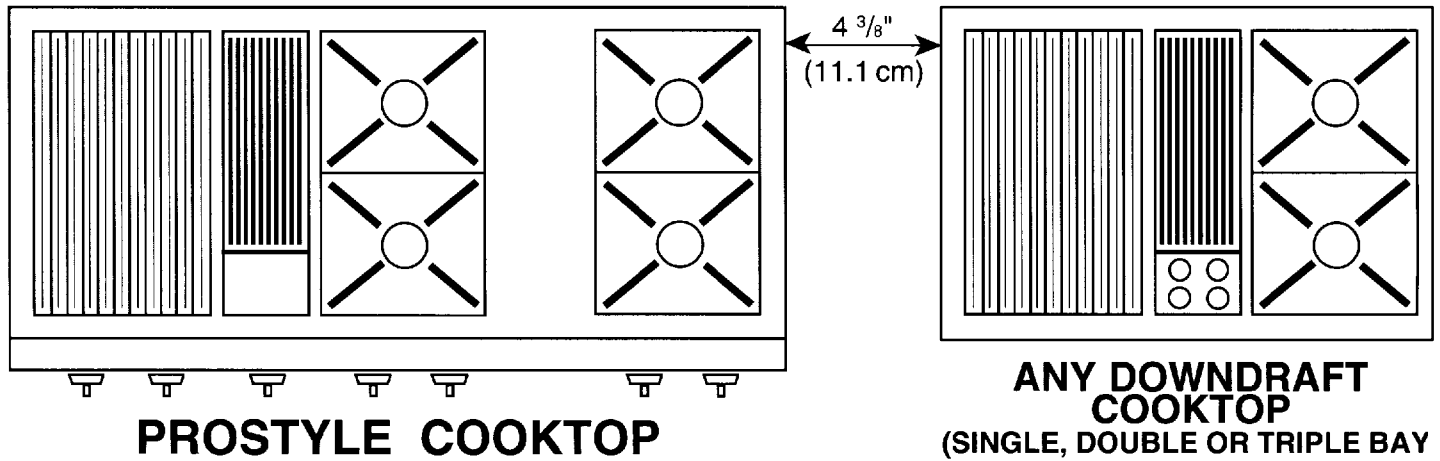


BURNER	BTU/hr	ORIFICE	INCHES DIAMETER	COLOR
Left Rear (LR)	8,000	#55	.0520	Green
Left Front (LF)	8,000	#55	.0520	Green
Center Rear (CR)	10,000	#53	.0595	Brass
Center Front (CF)	10,000	#53	.0595	Brass
Right Rear (RR)	10,000	#53	.0595	Brass
Right Front (RF)	10,000	#53	.0595	Brass

# MINIMUM SPACING REQUIREMENT

## GAS GRILL COOKTOPS

For installing a Triple Bay Downdraft Cooktop in combination with another Downdraft Cooktop, the minimum spacing between adjacent units must be provided, as shown, for satisfactory performance.



## **REQUIRED ADJUSTMENTS AT TIME OF INSTALLATION**

The installation of this appliance must conform with local codes, or in the absence of local codes, with the latest edition of the National Fuel Gas Code ANSI Z223.1 USA or current CAN/CGA-B149 Installation Code.

- This range was manufactured for use with Natural Gas. If LP gas is the fuel of choice, follow the conversion to LP procedure found in the installation instructions.
- Test all external connections for gas leaks. Never test for gas leaks with an open flame.
- Test all electrical connections.
- Adjust all air shutters for proper flame.
- Adjust all valves for low flame settings.
- Test the ventilation system for proper installation.
- If a problem exists with the downdraft system, check the ducting installation to make sure it conforms to the Jenn-Air specifications. Most downdraft system problems are attributed to poor ducting practices.
- Contact your installer if the ventilation system will not remove smoke or cooking fumes from well trimmed cuts of meat.
- If ventilation problems persist contact your authorized Jenn-Air Service Contractor.



403 WEST FOURTH STREET, NORTH • NEWTON, IA 50208

# INSTRUCCIONES DE INSTALACIÓN

Superficie convencional para cocinar de gas con parrilla Prostyle™ de módulo triple Modelo JGD8348CDP

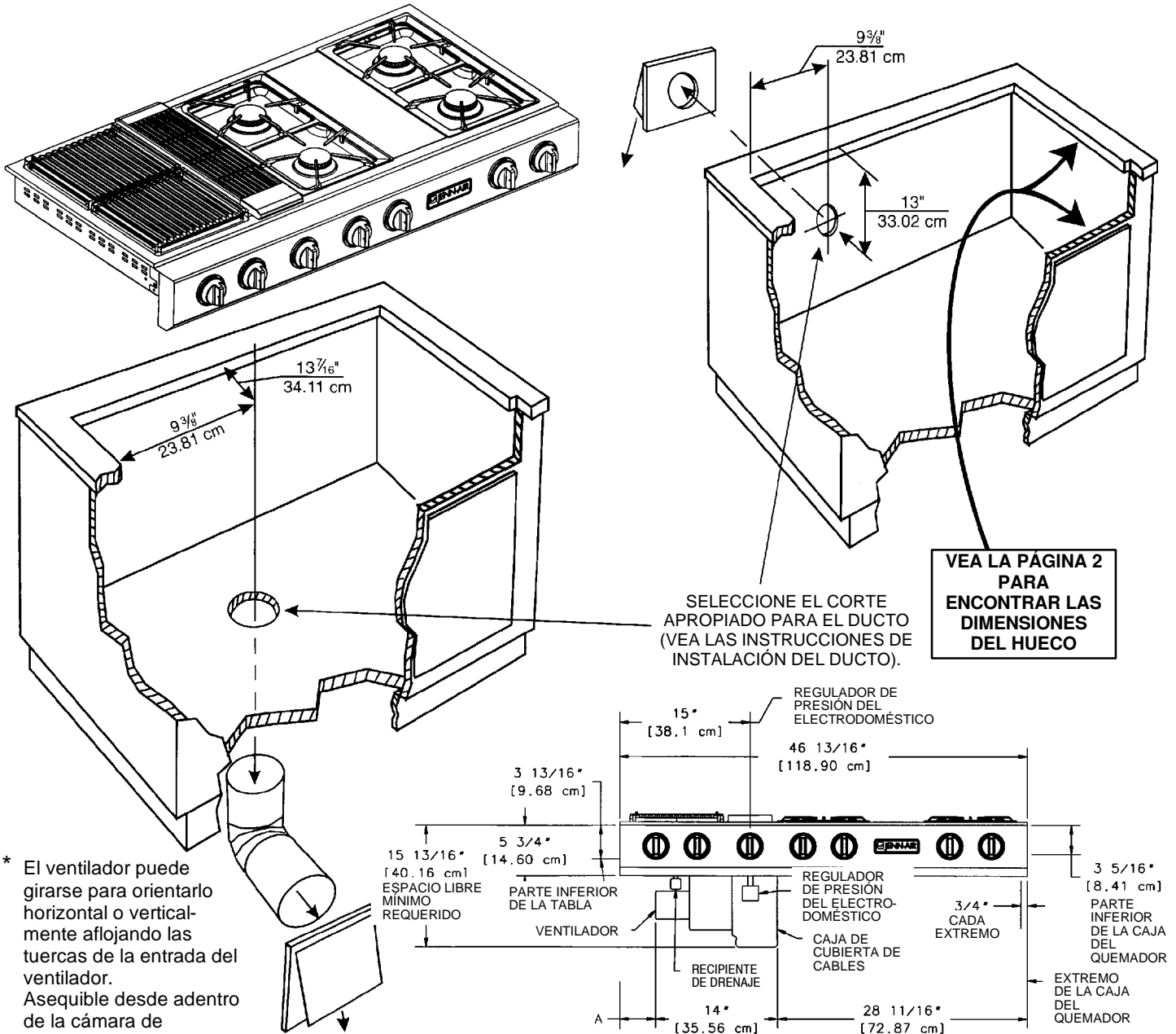
**JENN-AIR**

403 WEST FOURTH STREET, NORTH • NEWTON, IA 50208

Las dimensiones se muestran en pulgadas y centímetros

**AVISO AL INSTALADOR:** Deje estas instrucciones con el electrodoméstico.

**AVISO AL CONSUMIDOR:** Conserve estas instrucciones como referencia futura.

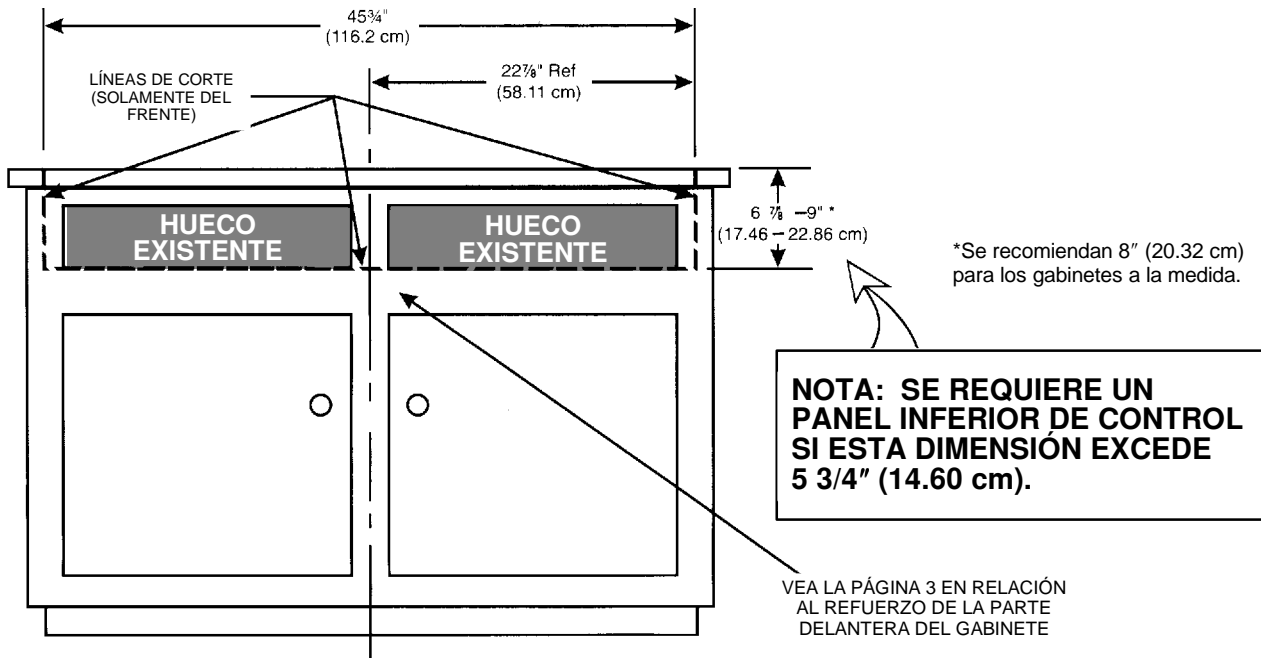


## INSTRUCCIONES PARA EL INSTALADOR:

- La dimensión "A" - proporciona 2" mínimas (5.08 cm) de espacio libre del gabinete al motor para fines de enfriamiento.
- **NOTA:** En donde sea posible, se recomiendan 6" (15.54 cm) para darle servicio al motor y al ventilador.
- Espacio libre lateral: Las parrillas instaladas muy cerca de una pared deben tener un espacio libre de 8" (20.32 cm) como mínimo.
- Debe proporcionarse acceso para quitar y vaciar el recipiente de grasa.



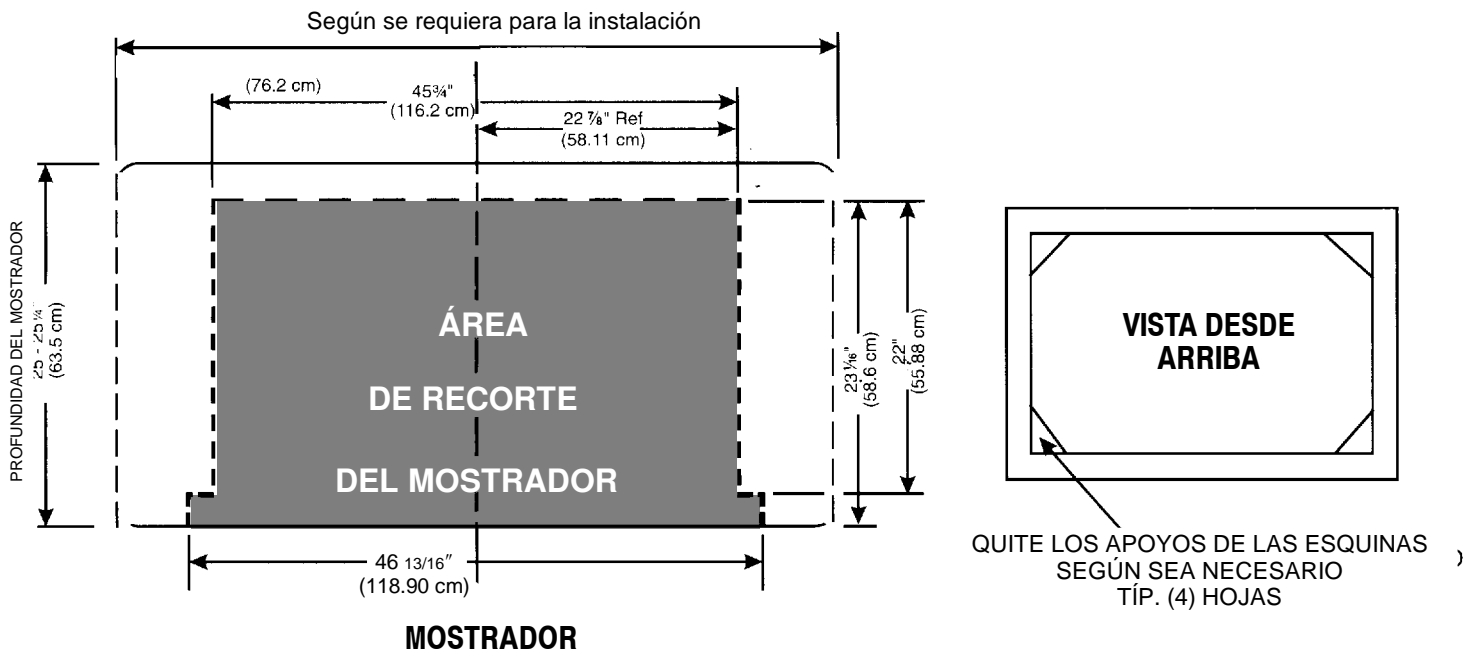
# RECORTES DEL GABINETE y DEL MOSTRADOR



**GABINETE  
(VISTA DE FRENTE)**

Vea las sugerencias de recorte 1-4 en la página 6.

**NOTA: Las tolerancias de las dimensiones del hueco son de 1/16 pulg (0.16 cm)**

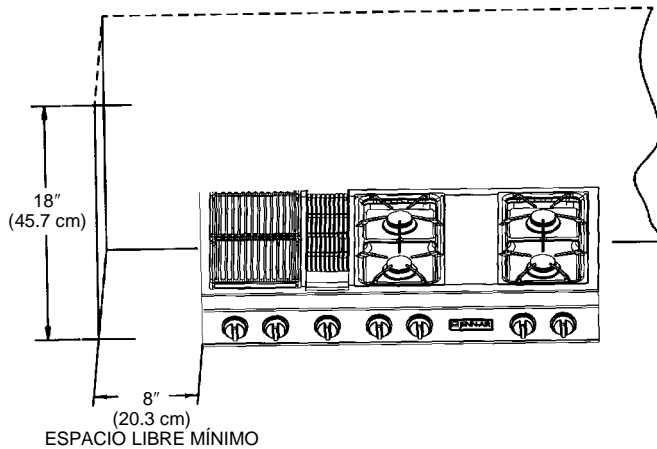


## Instalación de gabinetes encima de la parrilla Jenn-Air

El espacio libre horizontal mínimo entre el borde del electrodoméstico y la construcción combustible que se extienda de la superficie para cocinar a 18" (45.7 cm) por encima de la superficie para cocinar es:

- 1:" (4.45 cm) en la parte posterior
- 8" (20.32 cm) a los lados

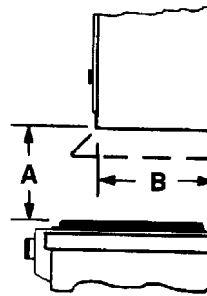
**NOTA:** Éste no es el espacio libre que se recomienda sino el espacio libre mínimo permitido.



\*A = 30" (76.2 cm) espacio libre mínimo vertical entre la superficie para cocinar y la construcción encima del electrodoméstico.

B = 13" (33.02 cm) profundidad máxima de los gabinetes instalados por encima de la superficie para cocinar.

Trate de no usar los gabinetes que están encima de la superficie para cocinar como espacios para almacenar ya que así eliminará los riesgos potenciales de tener que atravesarse cuando haya llamas encendidas.



Las líneas punteadas indican la construcción de la campana de la estufa.

- \* Para eliminar el riesgo de quemaduras o incendios al atravesarse por encima de las unidades calientes de la superficie, debe evitarse el uso del espacio de almacenamiento de los gabinetes localizados encima de las unidades de la superficie. Si los gabinetes se van a usar para almacenamiento, el riesgo puede reducirse usando una campana de estufa que sobresalga horizontalmente cuando menos 5 pulgadas (12.7 cm) de la parte inferior de los gabinetes.

## Gabinetes encima de la superficie para cocinar

La profundidad máxima de los gabinetes instalados por encima de la superficie para cocinar es de 13 pulgadas (33 cm).

**PRECAUCIÓN:** ALGUNOS GABINETES Y MATERIALES DE CONSTRUCCIÓN NO ESTÁN DISEÑADOS PARA RESISTIR EL CALOR PRODUCIDO DURANTE LA OPERACIÓN NORMAL DEL ELECTRODOMÉSTICO INDICADO, POR LO TANTO PODRÍA OCURRIR DECOLORACIÓN O DAÑOS, TALES COMO DESLAMINACIÓN.

## Instalación del electrodoméstico

### En la Commonwealth de Massachusetts

Este producto debe instalarse por un plomero o un instalador de gas certificado cuando está instalado dentro de la Commonwealth de Massachusetts.

Debe instalarse en el electrodoméstico una válvula de gas tipo "T" manual en la tubería del suministro de gas.

Cuando se utiliza un conector flexible de gas, no debe exceder una longitud de tres (3) pies o 36 pulgadas (91,4 cm).

Siga cuidadosamente las instrucciones adjuntas acerca de los ductos.

Este electrodoméstico está diseñado para ventilarse siempre hacia el exterior.

El recorte del mostrador, el recorte del frente del gabinete y los huecos de los ductos deberán prepararse de acuerdo con las ilustraciones de las páginas 1 y 2.

Instale el panel de control inferior en el fondo del recorte del gabinete según se muestra, usando los tornillos del paquete de herrajes. (Figura 1).

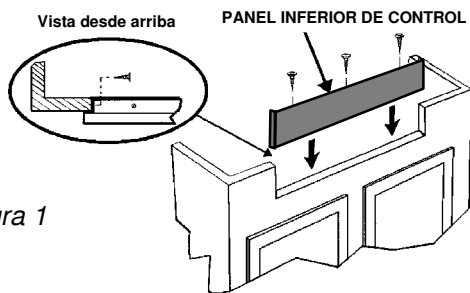


Figura 1

Coloque la unidad en el recorte del mostrador. El panel principal de control debe sobreponerse a la parte superior del panel inferior de control según se muestra. (Figura 2).

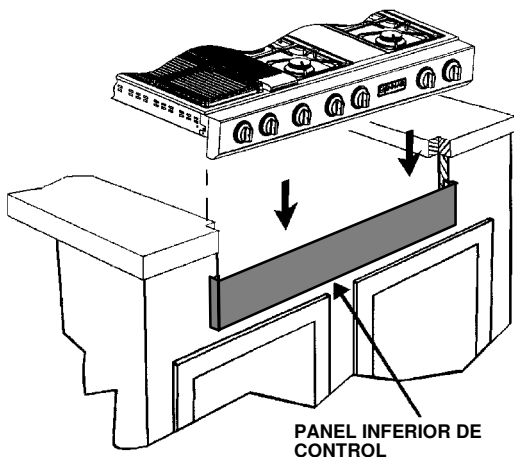


Figura 2

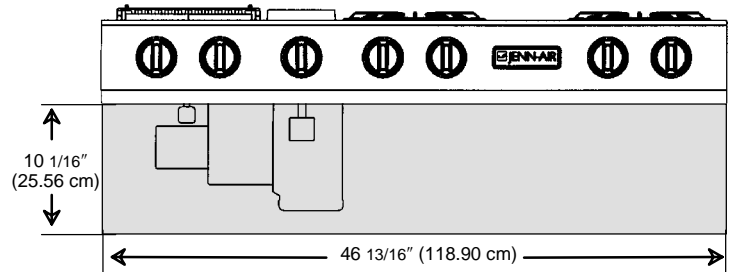
**NOTA:** En algunos estilos de gabinetes, podría ser necesario tener que reforzar la parte delantera del gabinete sujetando una abrazadera del frente a la parte posterior del gabinete por dentro desde debajo de la caja del quemador.

Instale los ductos de acuerdo con las instrucciones provistas. Los huecos de los ductos en el gabinete se muestran en el dibujo de la página 1. Haga las conexiones eléctricas y de gas según se describe más adelante en esta sección de instrucciones.

La instalación de este electrodoméstico debe estar en conformidad con los códigos locales, o si éstos no existieran, con la última edición del Código Nacional de Gas Combustible, ANSI Z.223.1 EE.UU. o el CÓDIGO DE INSTALACIÓN actual CAN/CGA-B149.

El suministro eléctrico requerido es de 110/120-voltios, C.A., 15 amp, 60 Hz. Este electrodoméstico está equipado con un tipo de cordón eléctrico conectado a tierra. Debe proveerse un tomacorriente conectado a tierra. Se recomienda, por comodidad, que este tomacorriente se ubique en el área que se muestra en la ilustración sombreada. Cuando se instale este electrodoméstico, debe conectarse a tierra de acuerdo con los códigos locales, o si éstos no existieran, con la última edición del Código Nacional Eléctrico ANSI/NFPA No. 70 EE.UU. o al Código Canadiense Eléctrico CSA STANDARD C22.1 parte 1.

El usuario puede experimentar la desconexión ocasional del circuito si está en uso el interruptor accionado por corriente de pérdida a tierra del circuito (GFCI).



### Para darle servicio a la superficie para cocinar

Cuando se le de servicio a la superficie para cocinar es necesario quitar la parte superior principal, antes de quitar el panel de control.



## Conexión del electrodoméstico al suministro de gas

LA CONEXIÓN AL SUMINISTRO DE GAS DEBE REALIZARLA UN TÉCNICO CALIFICADO DE SERVICIO O UN INSTALADOR DE ELECTRODOMÉSTICOS DE GAS. Las pruebas de fugas de gas del electrodoméstico las debe realizar el instalador de acuerdo con las instrucciones proporcionadas.

Instale una válvula de cierre manual en un lugar accesible en la tubería de gas de la parte exterior de este electrodoméstico para fines de abrir y cerrar el gas que va al electrodoméstico.

Haga la conexión de gas a la entrada del regulador de presión del electrodoméstico con una rosca de tubería macho de 1/2". Use en las conexiones de la tubería un compuesto para uniones de tubería aprobado que sea resistente a la acción del gas butano. Pruebe todas las uniones para asegurarse de que no haya fugas con una solución de agua y jabón u otro medio aprobado de detección de fugas. Nunca pruebe las fugas con las llamas encendidas.

**PRECAUCIÓN:** LA GARANTÍA QUEDA ANULADA EN EL EQUIPO JENN-AIR CUANDO SE INSTALE PARA OTRO FIN QUE NO SEA EL RECOMENDADO POR EL FABRICANTE. DEBEN UTILIZARSE LAS TAPAS DE PARED Y LAS TRANSICIONES RECOMENDADAS PARA OBTENER UNA OPERACIÓN E INSTALACIÓN CORRECTAS.

## ADVERTENCIA

### INSTRUCCIONES ELÉCTRICAS DE CONEXIÓN A TIERRA

ESTE ELECTRODOMÉSTICO ESTÁ EQUIPADO CON UNA CLAVIJA DE TRES PUNTAS DE CONEXIÓN A TIERRA PARA PROTEGERLO CONTRA RIESGOS DE DESCARGAS Y DEBE CONECTARSE DIRECTAMENTE EN UN RECEPTÁCULO CORRECTAMENTE CONECTADO A TIERRA. NO CORTE NI quite LA PUNTA DE TIERRA DE ESTA CLAVIJA.

## Ajuste del obturador de aire

Este electrodoméstico se embarca de fábrica con los obturadores de aire ajustados para usarse con gas natural. Si es necesario ajustarlos más o reajustarlos para usarse con gas butano, ajuste los obturadores de aire del modo siguiente:

## Obturadores de aire de cartucho del quemador de la parrilla y del quemador de la superficie para cocinar

(Vea las ilustraciones "A" y "B")

El obturador de aire del lado izquierdo controla la mitad posterior de los quemadores. El obturador de aire del lado derecho controla la mitad delantera. Los obturadores de aire del cartucho del quemador de la superficie se acceden a través de las aberturas en la parte inferior de la caja del cartucho.

Deslice los obturadores de aire hacia atrás o hacia adelante para aumentar o reducir el tamaño de la abertura del aire. Los obturadores quedan muy bien ajustados, así que podría ser necesario tener que usar la hoja de un destornillador o unas pinzas con punta de aguja para hacer este ajuste (vea la ilustración).

Observe los cambios en la apariencia de la llama conforme mueve el obturador de aire. El ajuste es aceptable cuando aparece una llama claramente definida, azul y uniforme en el ajuste más alto de la llama. El buen ajuste del obturador de aire garantiza que permanezca correctamente colocado.

### Obturador de aire del quemador de la parrilla y quemador de la superficie para cocinar (si así está equipado)

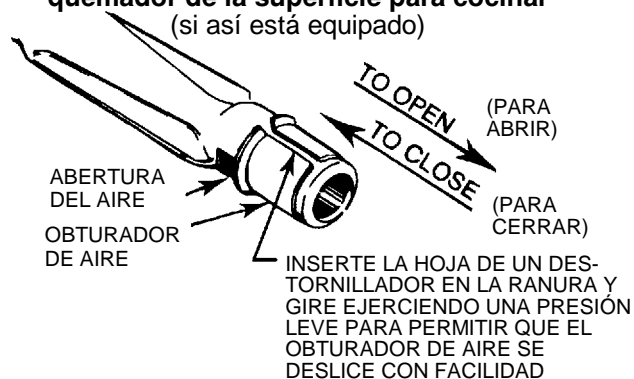


Ilustración "A"

En cualquier quemador, el cerrar demasiado el obturador de aire hará que la llama se vuelva suave y con punta amarilla. Abrir demasiado el obturador de aire hará que la llama se separe de los puertos del quemador. El ajuste correcto producirá una llama claramente definida, azul y uniforme.

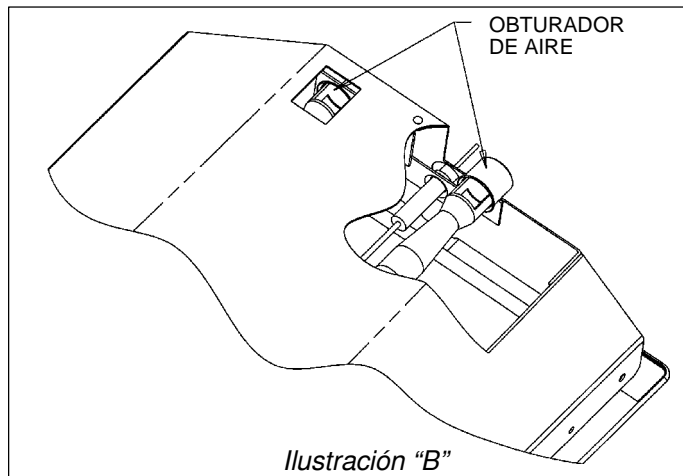


Ilustración "B"

## Sugerencias importantes de instalación

1. Achaflane todos los bordes expuestos del laminado decorativo para evitar daños por desportilladuras.
2. Haga radiales en las esquinas de los recortes y lijelas para asegurarse que los bordes queden lisos y evitar que se quiebren las esquinas.
3. Los bordes disperejos, las esquinas interiores que no se han redondeado y los ajustes forzados pueden contribuir a que se quiebre el laminado del mostrador.
4. El mostrador debe estar apoyado a 3" (7.6 cm) del recorte.

En cualquier quemador, cerrar demasiado el obturador de aire hará que la llama se vuelva suave y de punta amarilla. Abrir demasiado el obturador de aire hará que la llama se separe de los puertos del quemador. El ajuste correcto producirá una llama claramente definida, azul y uniforme.

## Ajuste de llama baja

(Vea la ilustración "C")

Este electrodoméstico se embarca de fábrica con ajustes de llama bajo y medio para usarse con gas natural. Si son necesarios ajustes adicionales, o para reajustarlo para usarse con gas butano, continúe del modo siguiente:

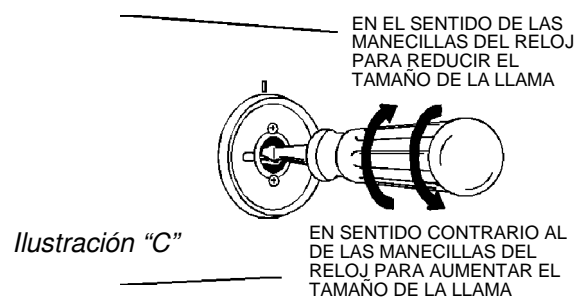
1. Encienda el quemador y coloque la perilla de control en la llama baja.
2. Quite la perilla de control del vástago de la válvula.

**PRECAUCIÓN:** NUNCA USE UNA HOJA METÁLICA PARA SACAR LA PERILLA. SI ÉSTA NO PUEDE SACARSE CON FACILIDAD, INTRODUZCA UN SECADOR DOBLADO DE TELA POR DEBAJO DE LA PERILLA Y TIRE DEL SECADOR HACIA ARRIBA EJERCENDO UNA PRESIÓN UNIFORME.

3. Inserte un destornillador de hoja delgada y plana dentro del receso al centro del vástago de la válvula y enganche la hoja en la ranura en el tornillo de ajuste.  
... en el sentido de las manecillas del reloj para reducirla.  
... en sentido contrario al de las manecillas del reloj para aumentarla.
5. Coloque de nuevo la perilla de control cuando termine el ajuste.

Un ajuste apropiado producirá una llama estable, uniforme en color azul de tamaño mínimo. El ajuste final debe revisarse girando la perilla de alto a bajo varias veces sin apagar la llama.

Este ajuste, en el ajuste bajo, proporcionará automáticamente el tamaño correcto de llama para el ajuste medio.



## Prueba de presión

La presión máxima de suministro de gas para el regulador de presión del electrodoméstico proporcionado con este electrodoméstico es de 14" W.C. La presión de prueba para revisar el regulador de presión del electrodoméstico debe ser cuando menos de 6" W.C. para gas natural, y cuando menos de 11" W.C. para gas butano. Se embarca de fábrica ajustado para usarse con gas natural a 5" W.C.

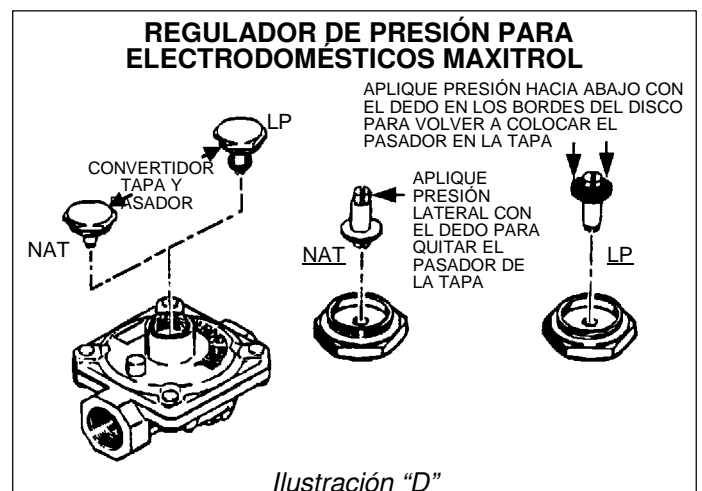
Este electrodoméstico y su válvula de cierre individual deben estar desconectados del sistema de tubería de suministro de gas durante las pruebas de presión a presiones de prueba por encima de 1/2" PSIG (3.5 k Pa).

Este electrodoméstico debe estar aislado del sistema de tubería del suministro de gas cerrando la válvula de cierre individual durante las pruebas de presión del sistema de tubería de suministro de gas a presiones de prueba iguales o menores de 1/2" PSIG (3.5 k Pa).

## Conversión del regulador de presión del electrodoméstico

(Vea la ilustración "D")

Esta unidad se suministra con un regulador de presión para electrodomésticos Maxitrol. Siga las instrucciones de la ilustración "D".



## Conversión a gas butano

Este electrodoméstico se embarca de fábrica equipado para usarse con gas natural. Para convertirlo de gas natural a gas butano, realice los pasos 1 al 4.

1. Quite las campanas de orificio de gas natural. Instale las campanas adjuntas de orificio codificadas por color. Se encuentran en un paquete que está sujeto en el área impelente externa de este electrodoméstico.

(Vea la ilustración "E", más adelante, y las instrucciones de conversión a gas butano de la página 8).

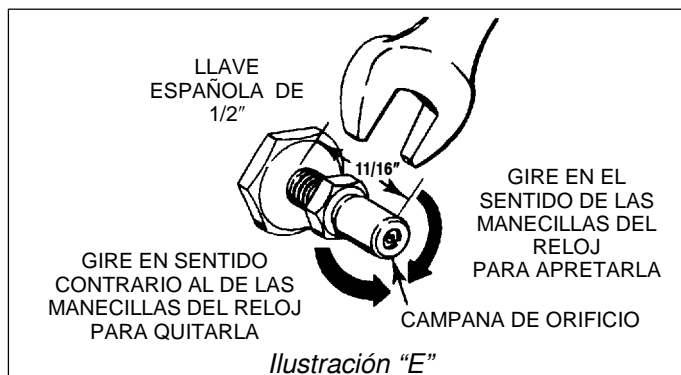
2. Invierta la tapa en el regulador de presión convertible (si está equipado) localizado en la entrada del múltiple de gas.
3. Ajuste los obturadores de aire en los quemadores individuales para obtener la apariencia correcta de la llama.
4. Coloque el ajuste bajo de llama en cada quemador girando el tornillo de ajuste en el centro del vástago de la válvula.

Para realizar estos ajustes de conversión siga las instrucciones y las ilustraciones ("A" a la "E", en las páginas 5-7).

### IMPORTANTE

Aplique un líquido anticorrosivo detector de fugas en todas las uniones y accesorios de la conexión de gas entre la válvula de cierre de la tubería de suministro y la estufa. Incluya los accesorios de gas y las uniones de la estufa si las conexiones se alteraron durante la instalación. Revise si hay fugas. Las burbujas que aparezcan alrededor de los accesorios y las conexiones indicarán que hay fugas. Si aparece una fuga, cierre la válvula de la tubería de suministro de gas, apriete las conexiones, abra la válvula de cierre de la tubería de suministro de gas, y vuelva a revisar si hay fugas. Nunca realice pruebas de fugas con la llama encendida.

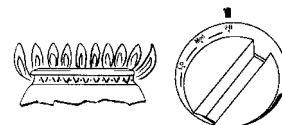
Este electrodoméstico se embarca de fábrica con campanas de orificio para usarse con gas natural. Para convertirlo de gas natural a gas butano, coloque una llave española de 1/2" a la sección hexagonal de la campana de orificio. Gire en sentido contrario al de las manecillas del reloj para quitarla. Conserve las campanas de orificio de gas natural que quitó del electrodoméstico para usarlas en el futuro. Instale las campanas suministradas de orificio codificadas por color. (Vea las instrucciones de conversión a gas butano anteriores y en la página 8). Gire en el sentido de las manecillas del reloj para instalarla. Mantenga la dimensión especificada en la ilustración "E".



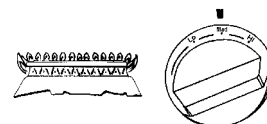
## Ajustes de control

El tamaño y tipo de recipientes de cocina y la cantidad y tipo de alimentos que se cocinen influirán en el ajuste que se necesita para obtener los mejores resultados de cocción. El ajuste indicado deberá servir como una guía mientras se familiariza con la superficie para cocinar.

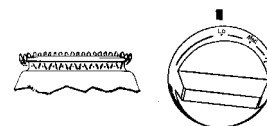
Use el ajuste de llama **HI** (alto) para hacer que los alimentos hiervan rápidamente o para comenzar una operación de cocción. Luego reduzca el ajuste para continuar el cocimiento. Nunca desatienda los alimentos cuando estén en el ajuste de llama **HI** (alto).



El ajuste **Med** (medio) se usa para continuar una operación de cocción. Los alimentos no se cocinarán más rápido cuando se usa el ajuste de llama **HI** (alto) que con el que se necesita para mantener un hervor suave. Recuerde, el agua hierve a la misma temperatura aunque hierva suave o vigorosamente.



Use el ajuste **LO** (bajo) para mantener los alimentos a temperatura de servir sin que se sigan cocinando. Se dará cuenta que podría haber un poco de cocción adicional si el recipiente se encuentra tapado.



# PARA CONVERTIR EL ELECTRODOMÉSTICO PARA USARSE CON GAS BUTANO

## Instrucciones de conversión de gas natural a gas butano (LP)

### **⚠ ADVERTENCIA**

La conversión a gas butano debe realizarla un contratista autorizado de servicio de Jenn-Air (u otra agencia calificada) de acuerdo con las instrucciones del fabricante y todos los códigos y requisitos de la autoridad que tenga jurisdicción. El no seguir las instrucciones podría causar lesiones graves o daños materiales. La agencia calificada que realice el trabajo asume la responsabilidad de esta conversión.

### **⚠ ADVERTENCIA**

**LA ENERGÍA ELÉCTRICA DEBE ESTAR APAGADA Y EL GAS CERRADO ANTES DE REALIZAR LA CONVERSIÓN**

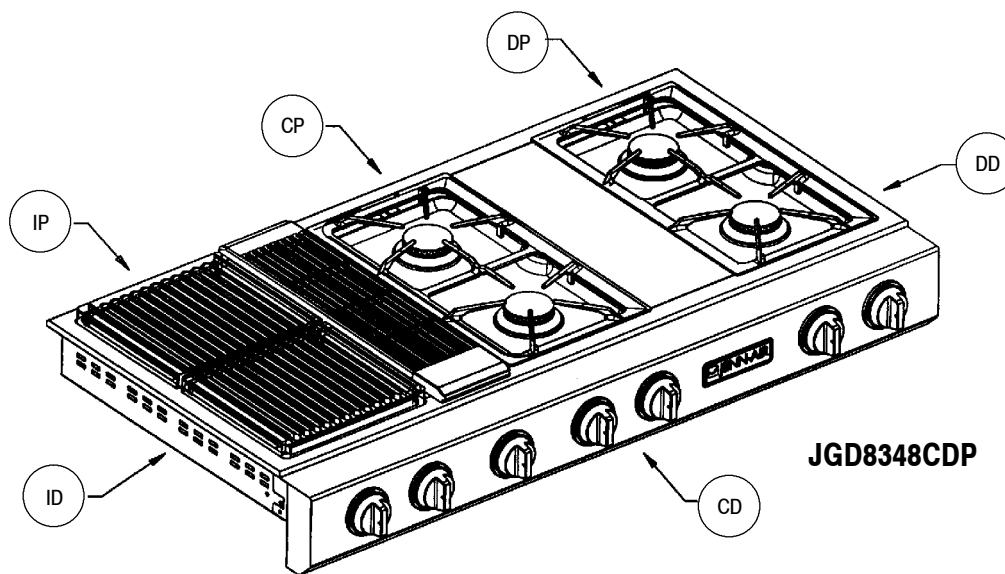
### Modelos - JGD8348CDP

Múltiple —presión necesaria del gas butano - 10" W.C.

Presión necesaria de entrada del gas butano al regulador de presión del electrodoméstico - 11" - 12" W.C.

Las campanas de orificio de conversión se adjuntan con este modelo.

Entrada de gas butano especificada - 46,000 BTU/hora.



QUEMADOR	BTU/hora	ORIFICIO	DIÁMETRO PULGADAS	COLOR
Izquierdo posterior (IP)	7500	#66	.033	Zinc
Izquierdo delantero (ID)	7500	#66	.033	Zinc
Centro posterior (CP)	6500	#68	.031	Rojo
Centro delantero (CD)	9000	#63	.037	Azul
Derecho posterior (DP)	6500	#68	.031	Rojo
Derecho delantero (DD)	9000	#63	.037	Azul

# PARA CONVERTIR EL ELECTRODOMÉSTICO PARA USARSE CON GAS NATURAL

## Instrucciones de conversión de gas butano (LP) a gas natural

Si este electrodoméstico se ha convertido para uso con gas LP, deben realizarse cada una de las siguientes modificaciones para convertir la unidad nuevamente a gas natural.

### **⚠ ADVERTENCIA**

La conversión a gas natural debe realizarla un contratista autorizado de servicio de Jenn-Air (u otra agencia calificada) de acuerdo con las instrucciones del fabricante y todos los códigos y requisitos de la autoridad que tenga jurisdicción. El no seguir las instrucciones podría causar lesiones graves o daños materiales. La agencia calificada que realice este trabajo asume toda la responsabilidad de dicha conversión.

### **⚠ ADVERTENCIA**

**LA ENERGÍA ELÉCTRICA DEBE ESTAR APAGADA Y EL GAS CERRADO ANTES DE REALIZAR LA CONVERSIÓN**

## Modelo - JGD8348CDP

Múltiple —presión de gas natural necesaria - 5" W.C.

Presión necesaria de entrada de gas natural al regulador de presión del electrodoméstico - 6" - 7" W.C.

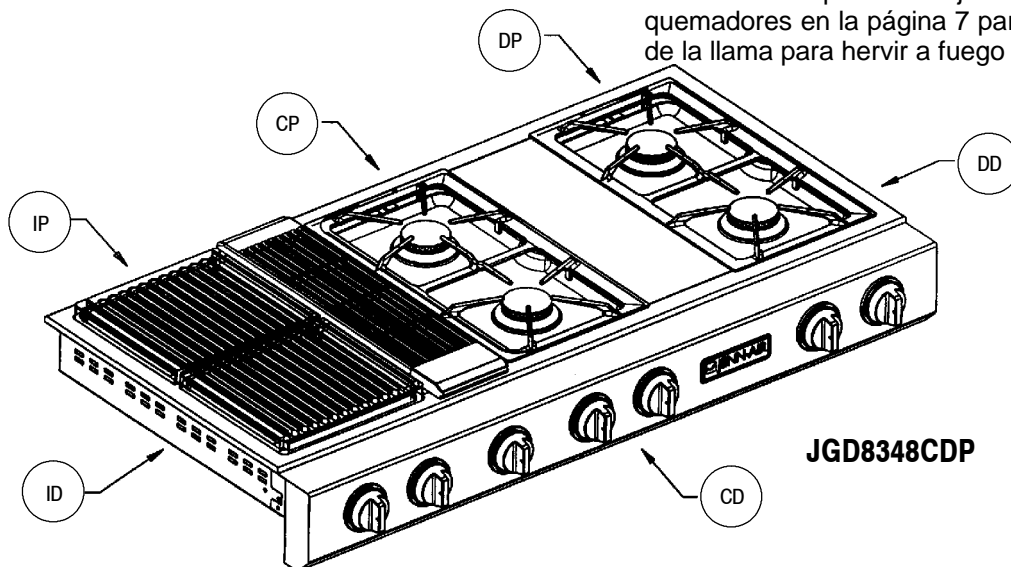
Gas natural especificado de entrada - 56,000 BTU/hora.

A. Coloque de nuevo las campanas de orificio. Realice los pasos 1 al 4 de la página 7. Localice seis (6) campanas de orificio para gas natural (con los números pequeños estampados por un lado que conservó de la unidad original de gas natural). Página 5, ilustración "E". Las dos campanas marcadas con el número .0520 (orificio #55) son para los quemadores izquierdo delantero e izquierdo posterior. Las cuatro campanas marcadas con el número .0595 (orificio #53) son para los dos quemadores derechos.

**Para realizar estos ajustes de conversión siga las instrucciones e ilustraciones ("A" a la "E") páginas 5-7.**

B. Invierta la tapa del regulador de presión del electrodoméstico (vea la ilustración "D", página 6). Con el electrodoméstico instalado, el regulador de presión está ubicado en el lado inferior derecho del electrodoméstico en la entrada del múltiple de gas. Identifique el tipo del regulador de presión de la unidad y siga las instrucciones en la ilustración apropiada.

C. Ajuste la llama en bajo en cada quemador. Siga las instrucciones para el ajuste de llama bajo de quemadores en la página 7 para aumentar el tamaño de la llama para hervir a fuego lento.

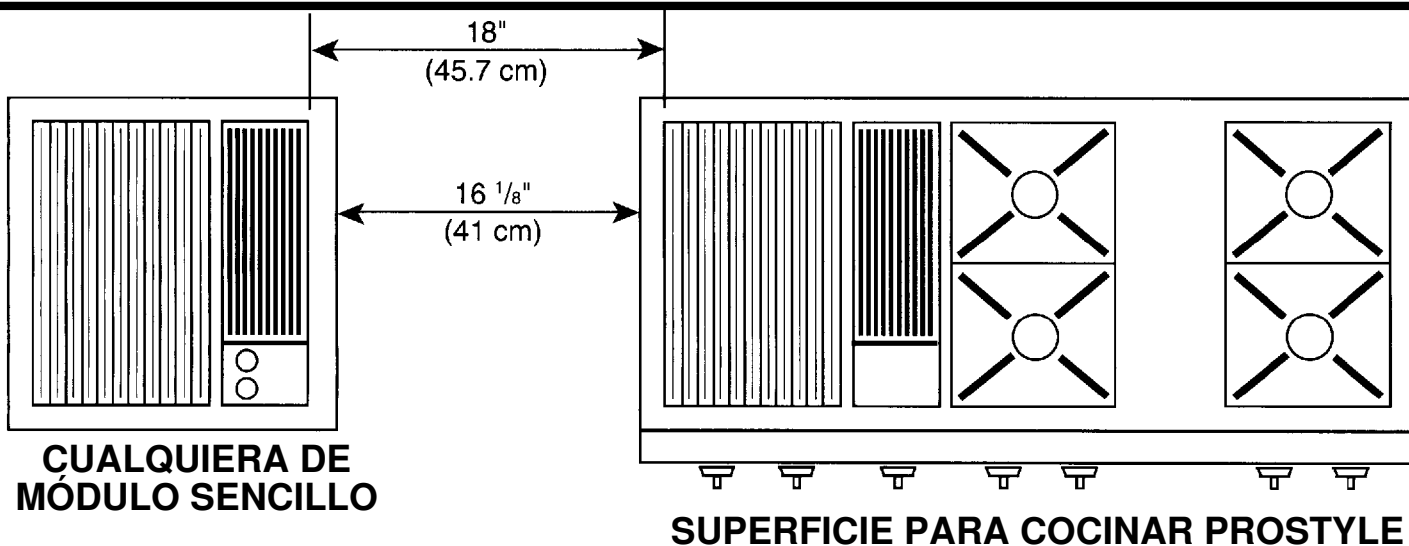
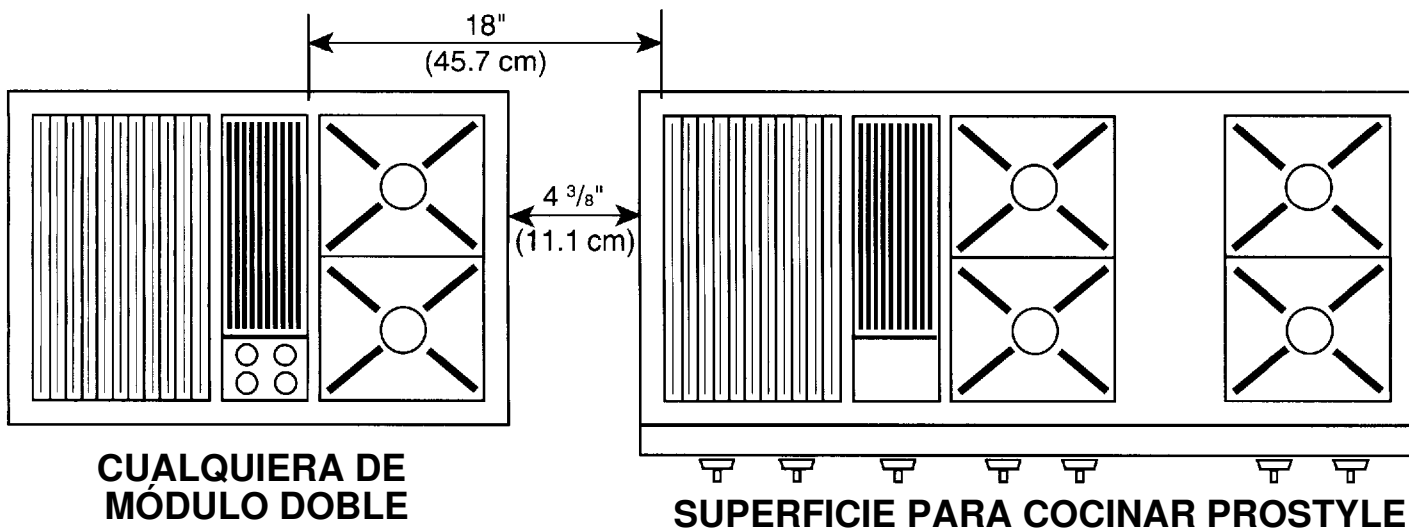
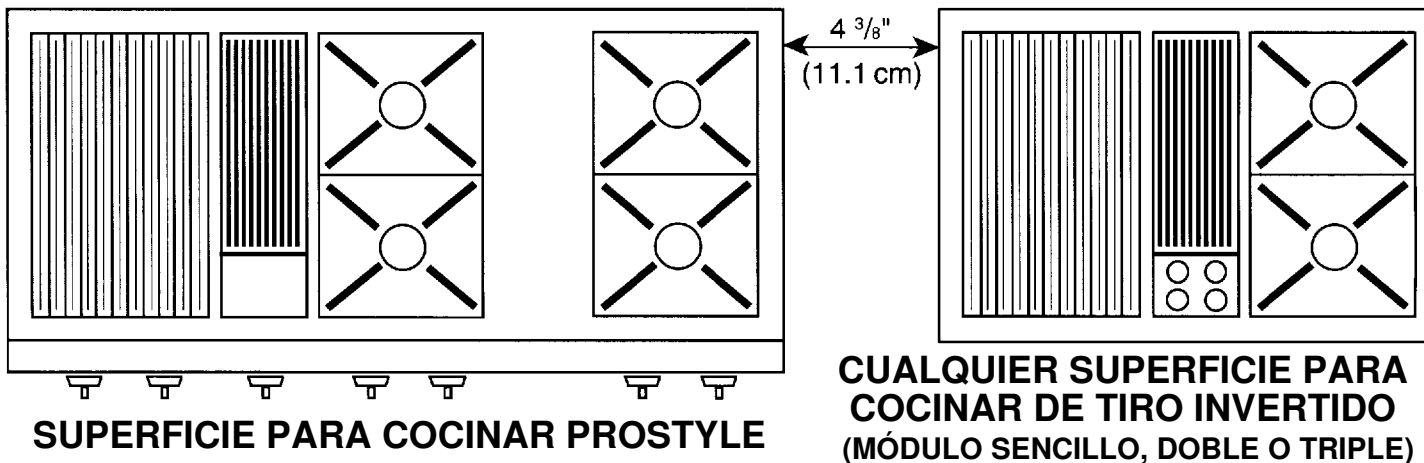


QUEMADOR	BTU/hora	ORIFICIO	DIÁMETRO PULGADAS	COLOR
Izquierdo posterior (IP)	8,000	#55	.0520	Verde
Izquierdo delantero (ID)	8,000	#55	.0520	Verde
Centro posterior (CP)	10,000	#53	.0595	Cobre
Centro delantero (CD)	10,000	#53	.0595	Cobre
Derecho posterior (DP)	10,000	#53	.0595	Cobre
Derecho delantero (DD)	10,000	#53	.0595	Cobre

# REQUISITOS MÍNIMOS DE ESPACIAMIENTO

## SUPERFICIES PARA COCINAR CON PARRILLA DE GAS

Para instalar la Superficie para cocinar de módulo triple con tiro invertido en combinación con otra superficie para cocinar con tiro invertido, debe mantenerse el espaciado mínimo entre las unidades adyacentes, según se muestra, para obtener un desempeño satisfactorio.



## **AJUSTES QUE SE REQUIEREN A LA HORA DE LA INSTALACIÓN**

La instalación de este electrodoméstico debe estar en conformidad con los códigos locales, o si éstos no existieran, con la última edición del Código Nacional de Gas Combustible ANSI Z223.1 EE.UU. o el Código de Instalación CAN/CGA-B149 actual.

- Esta estufa fue fabricada para usarse con gas natural. Si se elige usar gas LP, siga el procedimiento de conversión a LP en las instrucciones de instalación.
  
- Pruebe todas las conexiones externas para verificar que no haya fugas de gas. Nunca realice pruebas de fugas de gas con una llama encendida.
  
- Pruebe todas las conexiones eléctricas.
  
- Ajuste los obturadores de aire para obtener una llama adecuada.
  
- Ajuste todas las válvulas en los ajustes de llama baja.
  
- Pruebe el sistema de ventilación para verificar la instalación correcta.
  
- Si existe un problema con el sistema de tiro invertido, revise la instalación de los ductos para asegurarse que esté en conformidad con las especificaciones de Jenn-Air. La mayoría de los problemas con el sistema de tiro invertido son debido a los procedimientos incorrectos de la instalación de los ductos.
  
- Comuníquese con el instalador si el sistema de ventilación no absorbe el humo o los gases de cocción de los cortes de carne magra.
  
- Si persisten los problemas de ventilación, comuníquese con el contratista autorizado de servicio de Jenn-Air.



403 WEST FOURTH STREET, NORTH • NEWTON, IA 50208



# MISE EN SERVICE

## Plaque de cuisson à grilloir Prostyle™ à triple baie Modèle JGD8348CDP

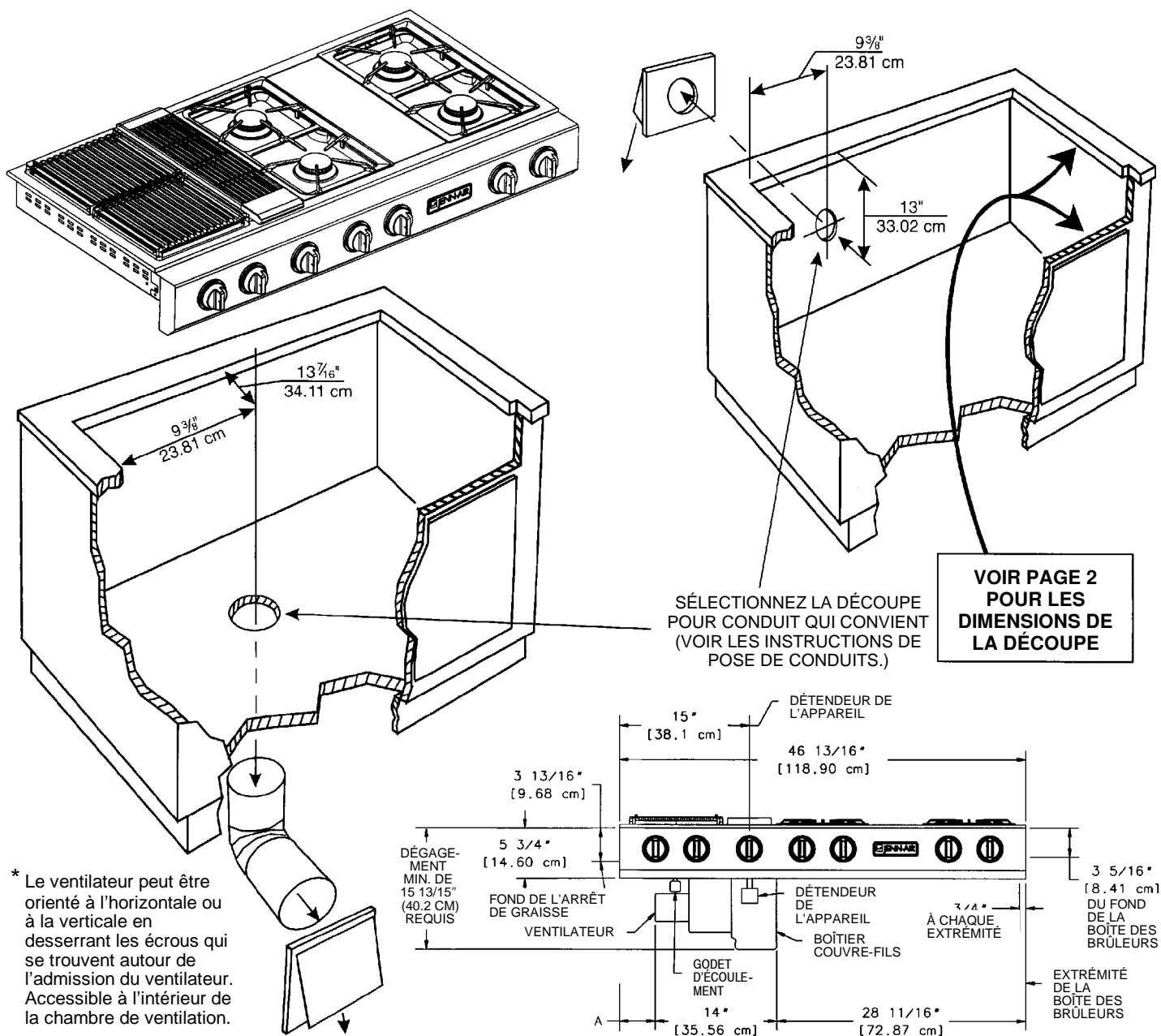
# JENN-AIR

403 WEST FOURTH STREET, NORTH • NEWTON, IA 50208, ÉTATS-UNIS

Dimensions montrées en pouce et en centimètres

À L'INTENTION DE L'INSTALLATEUR : Veuillez laisser ces instructions avec l'appareil.

À L'INTENTION DU CONSOMMATEUR : Veuillez conserver ces instructions pour référence ultérieure.

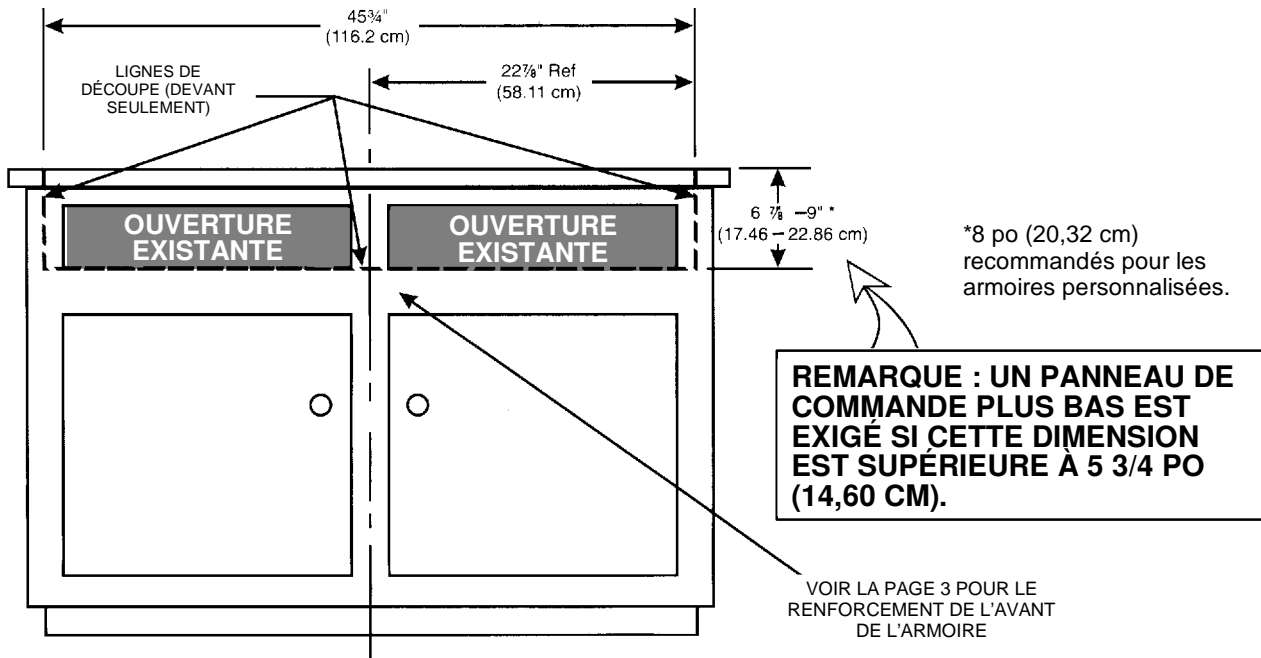


### INSTRUCTIONS À L'INTENTION DE L'INSTALLATEUR :

- La dimension A prévoit un dégagement minimum de 2 po (5,08 cm) par rapport au moteur à des fins de refroidissement.
- **REMARQUE :** Si les conditions le permettent, un dégagement de 6 po (15,54 cm) est recommandé afin de permettre l'accès au moteur/ventilateur à des fins de service après-vente.
- Dégagement latéral : Les grilloirs qui se trouvent à côté d'une paroi latérale doivent avoir un dégagement minimum de 8 po (20,32 cm).
- Il doit pouvoir y avoir accès au récipient à graisse pour le vider.



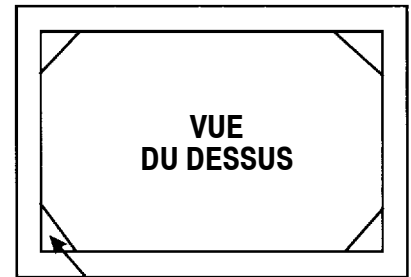
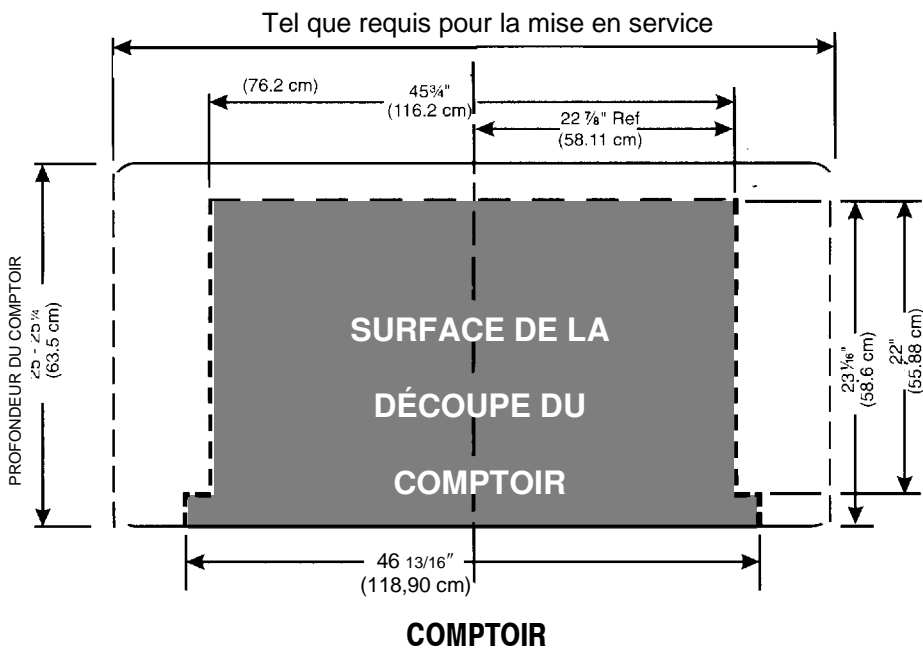
# DÉCOUPES DANS L'ARMOIRE ET LE COMPTOIR



**ARMOIRE  
(VUE DE L'AVANT)**

Voir les suggestions 1 à 4 concernant la découpe page 6.

**REMARQUE : Tolérance prévue de  $\pm 1/16$  po (0,16 mm) dans les dimensions de la découpe**



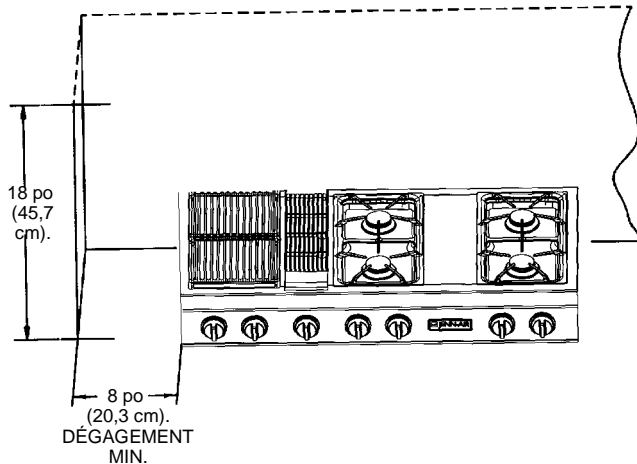
ENLEVER LES CORNIÈRES DE SUPPORT S'IL Y A LIEU NORMALEMENT 4 ÉPASSEURS

## Pose d'armoires au-dessus de votre grilloir Jenn-Air

Le dégagement horizontal minimum entre le bord de l'appareil et des structures combustibles dépassant de la surface de cuisson jusqu'à une hauteur de 18 po (45,7 cm) au-dessus de la surface de cuisson est le suivant :

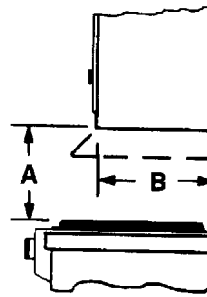
1 3/4 po (4,45 cm) à l'arrière  
8 po (20,32 cm) sur les côtés

**REMARQUE :** Ceci n'est pas le dégagement recommandé mais le dégagement minimum possible.



- \*A = 30 po (76,2 cm) de dégagement vertical minimum entre la surface de cuisson et les structures qui se trouvent au-dessus de l'appareil.
- B = 13 po (33,0 cm) de profondeur maximum pour les armoires qui se trouvent au-dessus de la surface de cuisson.

Éviter l'utilisation d'armoires de rangement au-dessus de la surface de cuisson pour éliminer les risques potentiels qui y sont liés, tels que se pencher au-dessus de flammes pour prendre un article dans l'armoire.



Les pointillés indiquent l'emplacement de la hotte.

\* Pour éliminer les risques de brûlure ou d'incendie en se penchant au-dessus de surfaces brûlantes, il est fortement conseillé d'éviter de placer des espaces de rangement au-dessus de brûleurs ou d'éléments chauffants de la surface de cuisson. S'il doit y avoir des armoires au-dessus de la surface de cuisson, les risques peuvent être réduits en posant une hotte qui dépasse d'un minimum de 5 po (12,7 cm) du bas des armoires.

## Armoires au-dessus de la surface de cuisson

La profondeur maximum des armoires posées au-dessus de la surface de cuisson est de 13 po (33 cm).

**PRUDENCE :** CERTAINES ARMOIRES ET CERTAINS MATÉRIAUX DE CONSTRUCTION NE SONT PAS CONÇUS POUR SUPPORTER LA CHALEUR PRODUITE LORS DU FONCTIONNEMENT NORMAL D'UN APPAREIL. UNE DÉCOLORATION OU DES DÉGÂTS TELS QUE LA DÉLAMINATION PEUVENT SE PRODUIRE.

## Mise en service de l'appareil

### Dans le Commonwealth du Massachusetts

Ce produit doit être mis en service par un plombier ou un monteur d'installations au gaz détenteur d'une licence quand installé dans le Commonwealth du Massachusetts.

Un robinet d'arrêt de gaz manuel de type à poignée en "T" doit être posé sur la conduite de gaz de cet appareil.

Quand un raccord flexible de gaz est utilisé, il ne doit pas excéder une longueur de trois (3) pieds / 36 pouces (91,4 cm).

Suivre les instructions concernant les conduits fournies avec ceux-ci avec soin.

Cet appareil est conçu pour que l'air aspiré soit toujours rejeté à l'extérieur.

La découpe dans le comptoir, la découpe dans le devant de l'armoire et la découpe pour le conduit doivent être préparées conformément à l'illustration des pages 1 et 2.

Poser le panneau de commande inférieur dans la découpe inférieure de l'armoire tel qu'indiqué, en utilisant les vis fournies dans le paquet de visserie. (Voir la figure 1).

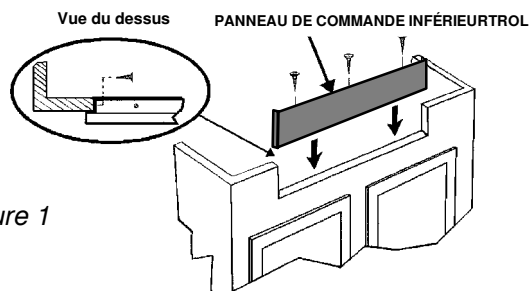


Figure 1

Placer l'appareil dans la découpe dans le comptoir. Le panneau de commande principal doit chevaucher le dessus du panneau de commande inférieur tel qu'indiqué. (Voir la figure 2).

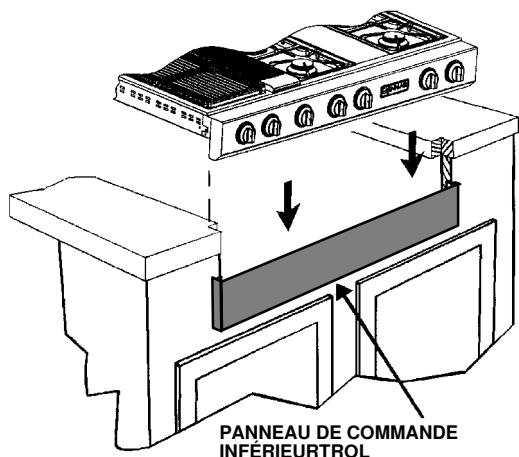


Figure 2

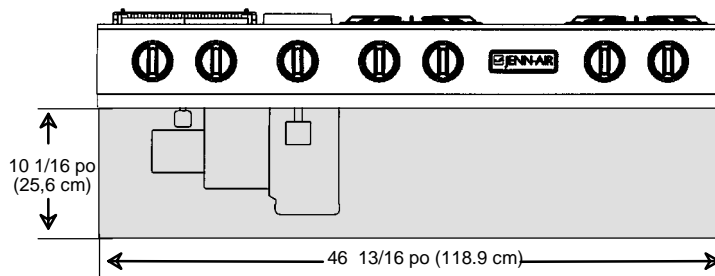
**REMARQUE :** Certains styles d'armoires pourront exiger le renforcement de l'avant de l'armoire en fixant un renfort de l'avant vers l'arrière à l'intérieur de l'armoire, sous la boîte des brûleurs.

Poser le conduit conformément aux instructions fournies. Les ouvertures prévues pour le conduit dans l'armoire sont montrées sur l'illustration de la page 1. Effectuer les raccords à l'électricité et au gaz tel qu'indiqué ci-dessous.

La mise en service de cet appareil doit être conforme aux codes locaux ou, en l'absence de tels codes, avec la norme ANSI Z.223.1, dernière édition, du National Fuel Gas Code ou du CODE DES INSTALLATIONS B149 CAN/ACG en vigueur.

L'alimentation électrique fournie doit être de 110/220 V alternatifs, 15 A et 60 Hz. Cet appareil est équipé d'un cordon d'alimentation avec raccordement à la terre. Il doit être branché dans une prise de courant reliée à la terre. Il est recommandé que, pour plus de facilité, la prise soit dans la zone indiquée par une région grisée sur l'illustration. Une fois en place, l'appareil doit être relié à la terre conformément aux codes locaux ou, en l'absence de codes locaux, aux normes ANSI/NFPA n 70 de l'édition la plus récente du National Electrical Code ou aux normes CSA C22.1 du Code canadien de l'électricité, partie 1, en vigueur.

Il pourra occasionnellement se produire une coupure de courant si le disjoncteur de fuite à la terre (GFCI) est en service.



### Dépannage de la plaque de cuisson

Si la plaque de cuisson exige des réparations, il faudra enlever le dessus principal avant d'enlever le panneau de commande.

## Raccordement de l'appareil au gaz

LE RACCORDEMENT AU GAZ DOIT ÊTRE EFFECTUÉ PAR UN TECHNICIEN QUALIFIÉ OU PAR UN INSTALLATEUR D'APPAREILS À GAZ. La vérification de l'absence de fuites sera effectuée par l'installateur conformément aux directives fournies.

Poser un robinet de gaz dans un endroit accessible de la conduite de gaz extérieure à l'appareil afin de pouvoir couper ou ouvrir l'alimentation en gaz de l'appareil.

Effectuer le raccordement à l'arrivée de gaz du détendeur de cet appareil avec une conduite mâle fileté de 1/2 po (13 mm). Utiliser une pâte à filetage résistant à l'action du gaz GPL sur les raccords. Vérifier la présence éventuelle de fuites au niveau de tous les joints à l'aide d'eau savonneuse ou de tout autre moyen reconnu de détection de fuites. Ne jamais vérifier la possibilité de fuites à l'aide d'une flamme.

**PRUDENCE :** LA GARANTIE EST ANNULÉE POUR TOUT MATÉRIEL JENN-AIR INSTALLÉ AUTREMENT QUE TEL QUE RECOMMANDÉ PAR LE FABRICANT. LES CAPUCHONS DE MUR ET LES TRANSITIONS RECOMMANDÉS DOIVENT ÊTRE UTILISÉS POUR ASSURER UNE POSE ET UN FONCTIONNEMENT CORRECTS.

## ⚠ ATTENTION :

### INSTRUCTIONS DE MISE À LA TERRE

CET APPAREIL EST MUNI D'UNE FICHE À TROIS BROCHES AVEC MISE À LA TERRE POUR ASSURER LA PROTECTION CONTRE LES RISQUES D'ÉLECTROCUTION ET DOIT ÊTRE BRANCHÉ DIRECTEMENT DANS UNE PRISE DE COURANT CORRECTEMENT RELIÉE À LA TERRE. NE PAS ENLEVER NI COUPER LA BROCHE DE TERRE DE CETTE FICHE ÉLECTRIQUE.

## Réglage de l'obturateur d'air

Les obturateurs d'air de cet appareil sont réglés en usine pour un usage avec du gaz naturel. S'ils ont besoin d'être réglés, ou s'ils doivent être utilisés avec du GPL, les régler comme suit :

## Obturateurs des cartouches du brûleur du grill et des brûleurs de la plaque de cuisson

(Voir les illustrations A et B)

L'obturateur d'air gauche contrôle la moitié arrière du brûleur. L'obturateur d'air droit contrôle la moitié avant. L'accès aux obturateurs d'air de la cartouche des brûleurs de la plaque de cuisson se fait par les ouvertures au fond du logement de la cartouche.

Faire coulisser les obturateurs d'air vers l'arrière ou vers l'avant pour augmenter ou diminuer la grandeur du trou de prise d'air. Les obturateurs d'air sont ajustés serrés et une lame de tournevis ou des pinces à bec pourront être nécessaires pour faire ce réglage (voir l'illustration).

Observer le changement dans l'apparence de la flamme en fonction du mouvement de l'obturateur d'air. Le réglage est terminé lorsque la flamme produite à plein feu est uniforme, bleue et clairement définie. Le fait que l'obturateur soit ajusté serré garantit qu'il restera correctement en place une fois réglé.

### Obturateur du brûleur du grill et brûleur de la plaque de cuisson (si équipée)

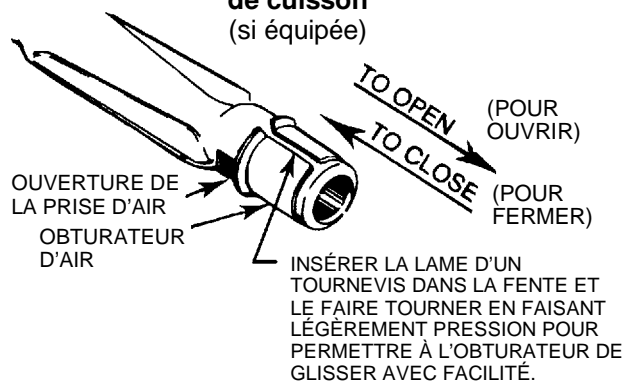


Illustration A

Quel que soit le brûleur, un obturateur d'air trop fermé donne une flamme molle, à pointe jaune. Un obturateur d'air trop ouvert donne une flamme qui se soulève des brûleurs. Un obturateur d'air bien réglé donne une flamme bien définie, nette, uniforme et bleue.

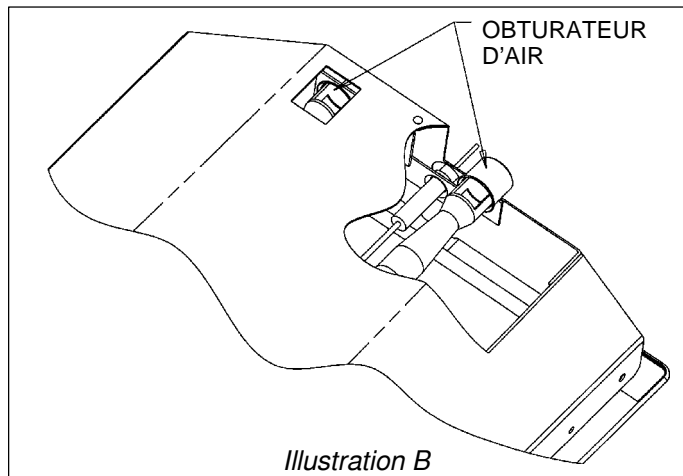


Illustration B

## Suggestions de mise en service importantes

1. Arrondir les angles de tous les rebords des laminés décoratifs pour éviter qu'ils ne s'écaillent.
2. Arrondir les coins de la découpe et les limer pour assurer des rebords lisses et éviter que les coins ne se fendillent.
3. Les rebords mal finis, les coins intérieurs non arrondis et les endroits où il faut forcer pour permettre la mise en place de la plaque de cuisson peuvent favoriser le fendillement du laminé du dessus du comptoir.
4. Le dessus du comptoir doit avoir un support à une distance maximum de 3 po (7,6 cm) de la découpe.

Quel que soit le brûleur, un obturateur d'air trop fermé donne une flamme molle, à pointe jaune. Un obturateur d'air trop ouvert donne une flamme qui se soulève des brûleurs. Un obturateur d'air bien réglé donne une flamme bien définie, nette, uniforme et bleue.

## Réglage de la flamme à feu doux

(Voir l'illustration C)

La flamme à feu doux et feu moyen des brûleurs de cet appareil est réglée en usine pour un usage avec du gaz naturel. Si elle a besoin d'être réglée davantage ou si l'appareil doit utiliser du GPL, procéder comme suit :

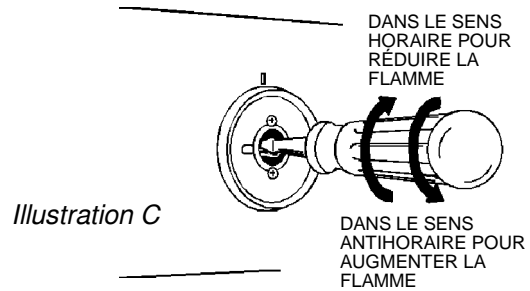
1. Allumer le brûleur et régler le bouton de commande sur un feu doux.
2. Retirer le bouton de commande de la tige.

**PRUDENCE** : NE JAMAIS UTILISER DE LAME MÉTALLIQUE POUR FAIRE LEVIER SUR LE BOUTON POUR L'ENLEVER. SI LE BOUTON NE S'ENLÈVE PAS FACILEMENT, GLISSER UN LINGE À VAISSELLE Plié SOUS LE BOUTON ET TIRER LE LINGE À VAISSELLE VERS LE HAUT EN EXERÇANT UNE PRESSION RÉGULIÈRE ET UNIFORME.

3. Insérer un tournevis à lame fine dans le creux au centre de la tige et insérer la lame dans la fente de la vis de réglage.
4. Tourner la vis du centre de la tige pour régler la flamme.
  - ... dans le sens horaire pour réduire la flamme.
  - ... dans le sens antihoraire pour l'augmenter.
5. Remettre le bouton de réglage en place une fois le réglage terminé.

Une flamme bien réglée sera stable, bleue et d'une longueur minimum. Le réglage final doit être vérifié en faisant tourner le bouton de feu doux à plein feu et vice versa à plusieurs reprises sans que la flamme s'éteigne.

Le réglage à feu doux assure automatiquement une flamme correcte au réglage à feu moyen.



## Vérification de la pression

La pression maximum de l'alimentation en gaz pour le détendeur fourni sur cet appareil est de 14 po de colonne d'eau. La pression nécessaire pour vérifier ce détendeur doit être d'un minimum de 6 po de colonne d'eau dans le cas de gaz naturel et d'un minimum de 11 po de colonne d'eau dans le cas de GPL. La plaque de cuisson est réglée pour une pression de gaz naturel de 5 po de colonne d'eau en usine.

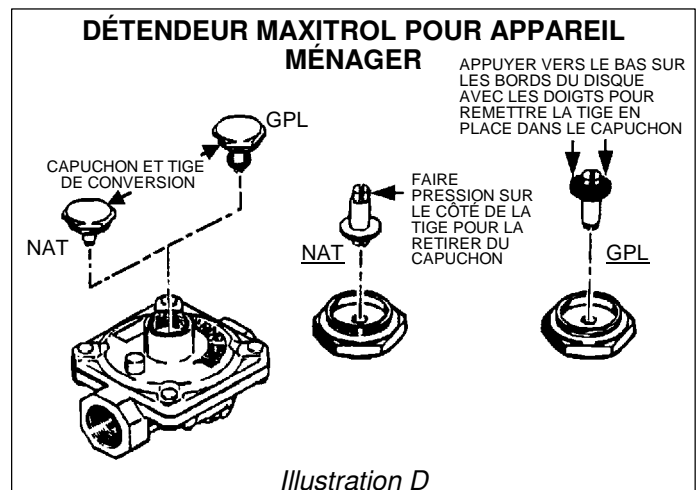
L'appareil à gaz et son robinet d'alimentation doivent être désolidarisés des conduites de gaz pendant toute vérification de la pression à des pressions supérieures à 0,5 lb/po<sup>2</sup> (3,5 kPa).

L'appareil à gaz doit être coupé des conduites de gaz en fermant son robinet de gaz individuel pendant toute vérification de la pression dans les conduites de gaz à des pressions égales ou inférieures à 0,5 lb/po<sup>2</sup> (3,5 kPa).

## Conversion du détendeur de l'appareil

(Voir l'illustration D)

Cet appareil est fourni équipé d'un détendeur Maxitrol pour appareil électroménager. Suivre les indications de l'illustration D.



## Conversion au GPL

Cet appareil est équipé pour le gaz naturel en usine. Pour le convertir du gaz naturel au GPL, effectuer les étapes 1 à 4.

1. Enlever les capuchons d'orifice pour gaz naturel. Poser les capuchons d'orifice à code-couleur fournis. Ils se trouvent dans un paquet attaché à la partie extérieure du plénum de l'appareil.

(Voir l'illustration E ci-dessous et les instructions concernant la conversion au gaz GPL, page 8.)

2. Inverser le capuchon dans le détendeur convertible (si l'appareil en est équipé) se trouvant à l'entrée de la rampe à gaz.

3. Régler les obturateurs d'air de chaque brûleur de façon à ce que la flamme ait l'apparence qui convient.

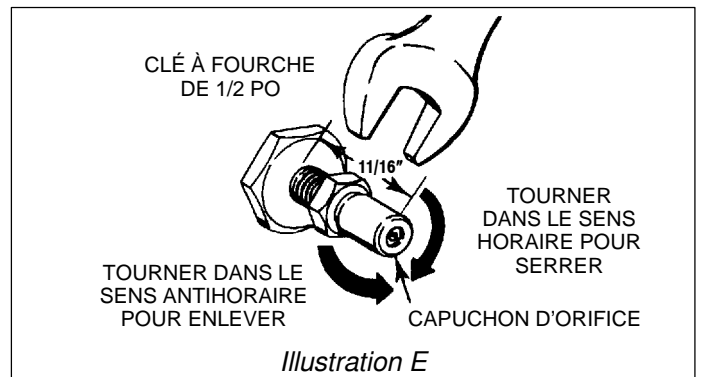
4. Régler la flamme à feu doux pour chaque brûleur en tournant la vis de réglage au centre de chaque tige de bouton de commande.

Pour faire ces réglages suite à la conversion, suivre les indications et les illustrations A à E des pages 5 à 7.

### IMPORTANT

Appliquer du liquide de détection de fuites non corrosif sur tous les joints et raccords entre le robinet de la conduite de gaz et l'appareil. Inclure les joints et raccords de l'appareil si ceux-ci ont pu se trouver desserrés pendant la mise en service. Vérifier les fuites ! Si des bulles apparaissent autour des joints et des raccords, il y a une fuite. En cas de fuite, fermer le robinet d'alimentation de gaz, serrer les raccords, ouvrir le robinet de gaz et revérifier s'il y a des fuites. Ne jamais vérifier la possibilité de fuites à l'aide d'une flamme.

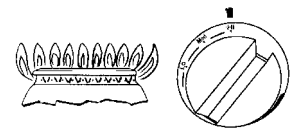
Cet appareil est équipé de capuchons d'orifice percés pour être utilisés avec du gaz naturel. Pour le convertir du gaz naturel au GPL, insérer une clé à fourche de 1/2 po sur la partie hexagonale du capuchon d'orifice. Tourner dans le sens horaire pour l'enlever. Mettre les capuchons d'orifice pour gaz naturel qui viennent d'être enlevés de côté pour un usage ultérieur. Poser les capuchons d'orifice à code-couleur fournis. (Voir les instructions pour la conversion au GPL ci-dessus et page 8.) Tourner dans le sens horaire pour mettre en place. Utiliser une clé de la dimension indiquée sur l'illustration E.



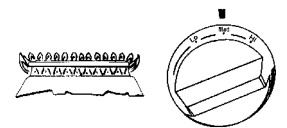
## Réglages de cuisson

La grandeur et le type des récipients ainsi que la quantité et le type de nourriture dictent le réglage nécessaire pour assurer des résultats optimaux à la cuisson. Le réglage indiqué servira de guide uniquement pendant la phase de familiarisation avec l'appareil.

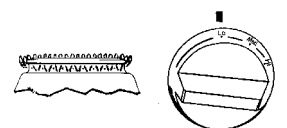
Utiliser le réglage **Hi** (plein feu) pour amener rapidement les liquides à ébullition ou pour commencer une cuisson. Baisser ensuite le feu et continuer la cuisson. Ne jamais laisser de la nourriture à cuire sur le réglage **HI** (plein feu) sans surveillance.



Le réglage **Med** (feu moyen) s'utilise pour continuer la cuisson. La nourriture ne cuit pas plus rapidement à **HI** (plein feu) que sur un réglage suffisant pour qu'elle mijote simplement. Ne pas oublier que l'eau bout à la même température, que ce soit à gros bouillons ou lorsqu'on maintient un simple frémissement.



Utiliser le réglage **LO** (feu doux) pour garder la nourriture à la température de service, sans qu'elle continue à cuire. La nourriture pourra toutefois continuer à cuire si elle est couverte.



# POUR CONVERTIR L'APPAREIL AU PROPANE

## Conversion du gaz naturel au propane (GPL)

### **ATTENTION**

La conversion au propane doit être effectuée par un prestataire de service agréé Jenn-Air (ou tout autre service qualifié) conformément aux consignes du fabricant et à tous les codes et exigences de toutes autorités compétentes. La non-observation des consignes pourrait entraîner des blessures graves ou des dégâts. Le service qualifié qui effectue la conversion en assume l'entière responsabilité.

### **ATTENTION**

**FERMER LE GAZ ET L'ÉLECTRICITÉ AVANT DE PROCÉDER À LA CONVERSION**

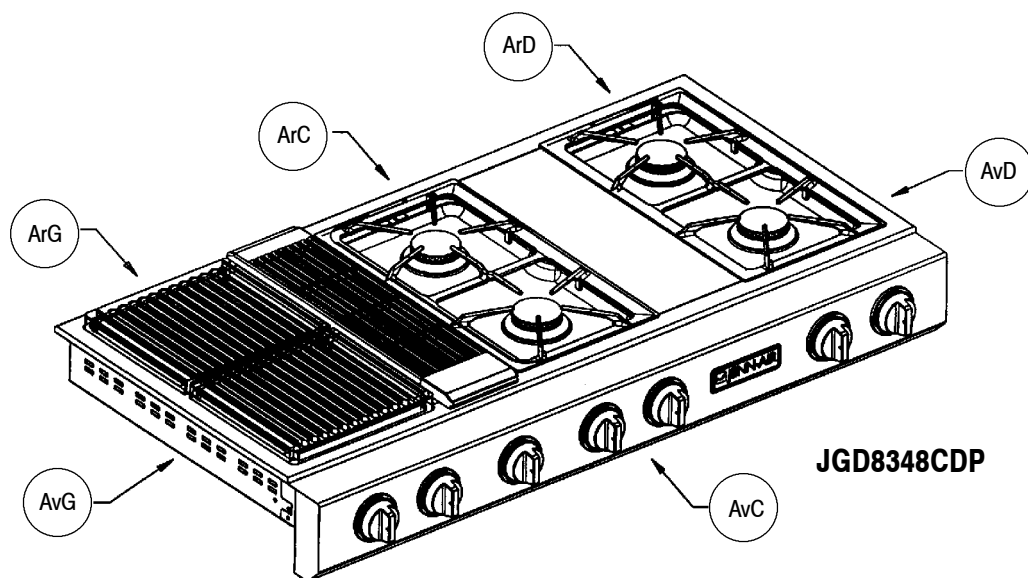
### Modèles JGD8348CDP

Rampe - pression requise pour le gaz propane - 10 po de colonne d'eau.

Pression requise pour l'alimentation en propane au niveau du détendeur -11 à 12 po de colonne d'eau.

Les capuchons d'orifice pour la conversion au propane sont fournis avec ce modèle.

Arrivée de gaz propane nécessaire - 46 000 BTU/h.



BRÛLEUR	BTU/h	ORIFICE	POUCES DIAMÈTRE	COULEUR
Arrière gauche (ArG)	7500	n 66	0,033	Zinc
Avant gauche (AvG)	7500	n 66	0,033	Zinc
Arrière centre (ArC)	6500	n 68	0,031	Rouge
Avant centre (AvC)	9000	n 63	0,037	Bleu
Arrière droit (ArD)	6500	n 68	0,031	Rouge
Avant droit (AvD)	9000	n 63	0,037	Bleu



# POUR CONVERTIR L'APPAREIL AU GAZ NATUREL

## Conversion du propane (GPL) au gaz naturel

Si cet appareil a été converti au GPL, chacune des modifications suivantes doit être effectuée pour le reconverter au gaz naturel.

### **ATTENTION**

La conversion au gaz naturel doit être effectuée par un prestataire de service agréé Jenn-Air (ou tout autre service qualifié) conformément aux consignes du fabricant et à tous les codes et exigences de toutes autorités compétentes. La non-observation des consignes pourrait entraîner des blessures graves ou des dégâts. Le service qualifié qui effectue la conversion en assume l'entière responsabilité.

### **ATTENTION**

**FERMER LE GAZ ET L'ÉLECTRICITÉ AVANT DE PROCÉDER À LA CONVERSION**

## Modèle JGD8348CDP

Rampe - pression requise pour le gaz naturel - 5 po de colonne d'eau.

Pression requise pour l'alimentation en gaz naturel au niveau du détendeur - 6 à 7 po de colonne d'eau.

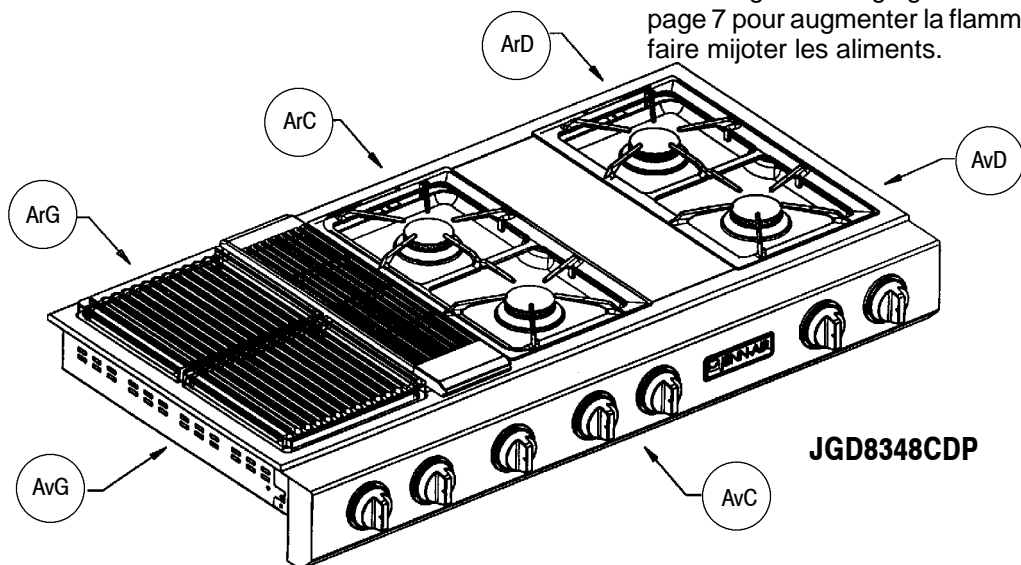
Arrivée de gaz naturel nécessaire - 56 000 BTU/h.

A. Remplacer tous les capuchons d'orifice - Effectuer les étapes 1 à 4 de la page 7. Localiser les six (6) orifices (avec des chiffres en petits caractères estampés sur le côté) provenant du modèle d'origine et mis de côté lors de sa conversion au propane (page 5, illustration E). Les deux capuchons portant le chiffre .0520 (orifice n 55) estampé sur le côté correspondent aux brûleurs avant gauche et arrière gauche. Les quatre capuchons portant le chiffre .0595 (orifice n 53) estampé sur le côté correspondent aux deux brûleurs de droite.

**Pour faire ces réglages suite à la conversion, suivre les indications et les illustrations A à E des pages 5 à 7.**

B. Inverser le capuchon du détendeur (voir l'illustration D, page 6). Lorsque l'appareil est en place, le détendeur doit se trouver sur la droite du dessous de l'appareil, à l'arrivée de la rampe à gaz. Identifier le type de détendeur de l'appareil et suivre les instructions de l'illustration qui convient.

C. Régler la flamme à feu doux de chaque brûleur. Suivre les consignes de réglage de la flamme à feu doux de la page 7 pour augmenter la flamme qui sera utilisée pour faire mijoter les aliments.

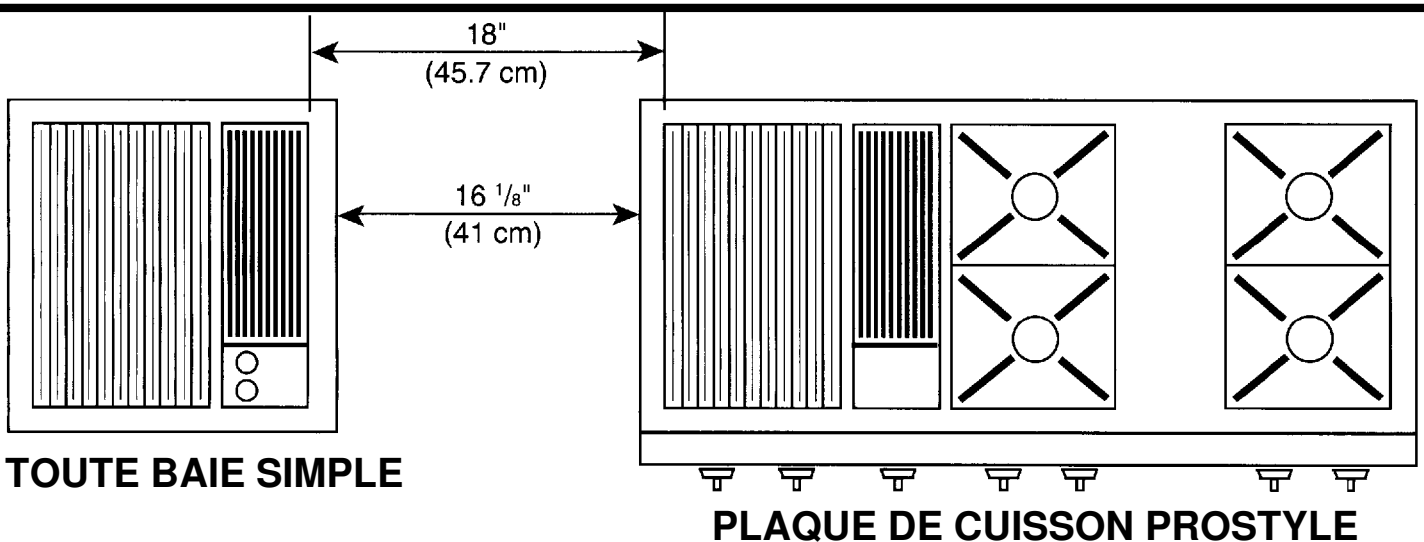
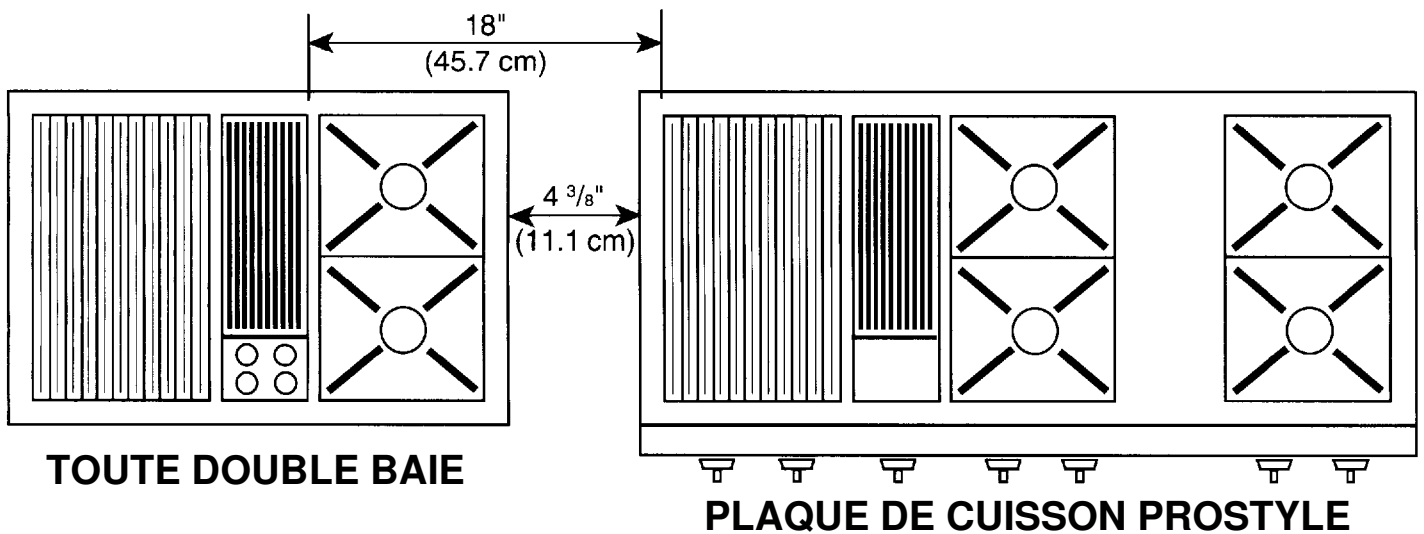
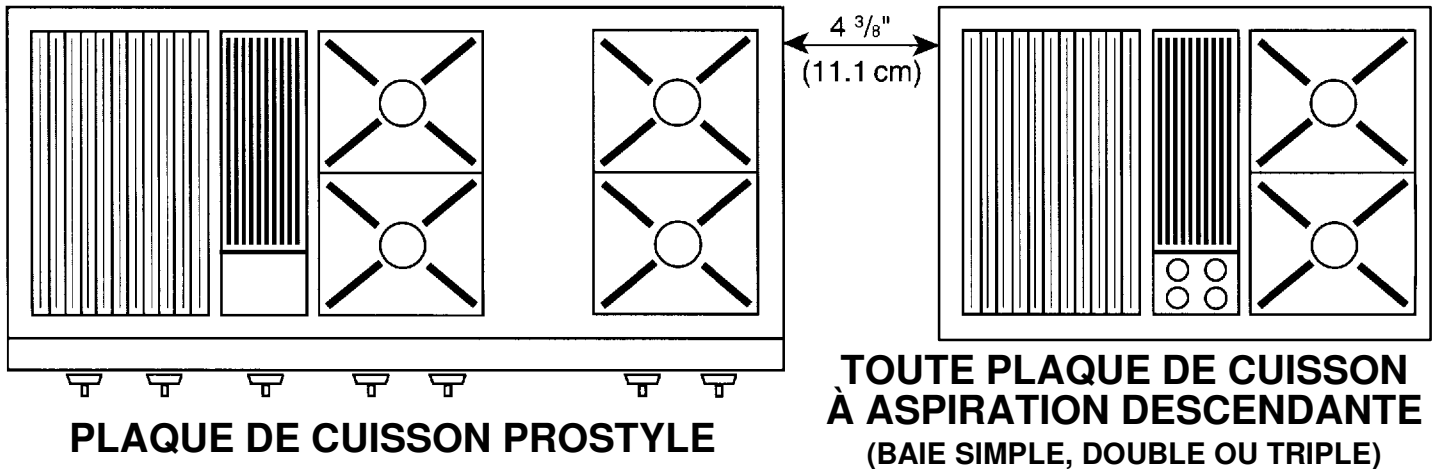


BRÛLEUR	BTU/h	ORIFICE	POUCES DIAMÈTRE	COULEUR
Arrière gauche (ArG)	8 000	n 55	0,0520	Vert
Avant gauche (AvG)	8 000	n 55	0,0520	Vert
Arrière centre (ArC)	10 000	n 53	0,0595	Cuivre
Avant centre (AvC)	10 000	n 53	0,0595	Cuivre
Arrière droit (ArD)	10 000	n 53	0,0595	Cuivre
Avant droit (AvD)	10 000	n 53	0,0595	Cuivre

# ESPACEMENT MINIMUM REQUIS

## PLAQUES DE CUISSON AVEC GRILLOIR

Pour poser une plaque de cuisson triple à aspiration descendante combinée à une autre plaque de cuisson à aspiration descendante, l'espace minimum entre les appareils adjacents doit être tel qu'indiqué pour un fonctionnement optimum.



## **RÉGLAGES REQUIS LORS DE LA MISE EN SERVICE**

La mise en service de cet appareil doit être conforme aux codes locaux ou, en l'absence de tels codes, avec la norme ANSI Z223.1, dernière édition, du National Fuel Gas Code ou avec le code de mise en service CAN/CGA-B149 en vigueur.

- Cet appareil est conçu pour fonctionner au gaz naturel. S'il doit être utilisé avec du GPL, suivre la méthode de conversion au GPL qui se trouve dans les instructions de mise en service.
  
- Vérifier qu'il n'y a pas de fuite au niveau des raccords externes. Ne jamais vérifier la possibilité de fuites à l'aide d'une flamme.
  
- Vérifier toutes les connexions électriques.
  
- Régler tous les obturateurs pour obtenir une flamme appropriée.
  
- Régler tous les robinets de réglage à feu doux.
  
- Vérifier le système d'aspiration pour s'assurer de sa bonne mise en service.
  
- S'il se présente un problème au niveau de l'aspiration descendante, vérifier que la pose des conduits est bien conforme aux caractéristiques techniques de Jenn-Air. La plupart des problèmes rencontrés au niveau de l'aspiration descendante sont dus à de mauvaises méthodes de pose des conduits.
  
- Contacter l'installateur si le système d'aspiration descendante n'évacue pas la fumée ou les odeurs de cuisson de pièces de viande dont l'excès de gras a été enlevé.
  
- Si le problème d'évacuation persiste, contacter votre prestataire de service après-vente agréé Jenn-Air.



403 WEST FOURTH STREET, NORTH • NEWTON, IA 50208, ÉTATS-UNIS

## Free Manuals Download Website

<http://myh66.com>

<http://usermanuals.us>

<http://www.somanuals.com>

<http://www.4manuals.cc>

<http://www.manual-lib.com>

<http://www.404manual.com>

<http://www.luxmanual.com>

<http://aubethermostatmanual.com>

Golf course search by state

<http://golfingnear.com>

Email search by domain

<http://emailbydomain.com>

Auto manuals search

<http://auto.somanuals.com>

TV manuals search

<http://tv.somanuals.com>