

JENSEN®

DOCKING DIGITAL MUSIC SYSTEM FOR iPod®



OWNER'S MANUAL JiMS-190

(iPod® Not Included)

**PLEASE READ THIS OPERATING MANUAL COMPLETELY BEFORE OPERATING
THIS UNIT AND RETAIN THIS BOOKLET FOR FUTURE REFERENCE**

TABLE OF CONTENTS

DEAR JENSEN® CUSTOMER	2
IMPORTANT SAFETY INSTRUCTIONS	2
COMPLIANCE WITH FCC REGULATIONS	3
PRODUCT FEATURES	4
INSTALLATION	4
LOCATION OF CONTROLS	5-6
RADIO OPERATIONS	7
iPod® DOCKING	8
AUXILIARY INPUT	9
CLOCK AND CALENDAR SETTINGS	10
ALARM OPERATIONS	11
CARE AND MAINTENANCE	12
TROUBLESHOOTING GUIDE	13
SPECIFICATIONS	14
SERVICE	14

"Made for iPod" means that an electronic accessory has been designed to connect specifically to iPod and has been certified by the developer to meet Apple performance standards.

Apple is not responsible for the operation of this device or its compliance with safety and regulatory standards.

iPod is a trademark of Apple Inc., registered in the U.S. and other countries.

DEAR JENSEN® CUSTOMER

Selecting fine audio equipment such as the unit you've just purchased is only the start of your musical enjoyment. Now it's time to consider how you can maximize the fun and excitement your equipment offers. This manufacturer and the Electronic Industries Association's Consumer Electronics Group want you to get the most out of your equipment by playing it at a safe level. One that lets the sound come through loud and clear without annoying blaring or distortion and, most importantly, without affecting your sensitive hearing. Sound can be deceiving. Over time your hearing "comfort level" adapts to higher volumes of sound. So what sounds "normal" can actually be loud and harmful to your hearing. Guard against this by setting your equipment at a safe level BEFORE your hearing adapts.

To establish a safe level:

- Start your volume control at a low setting.
- Slowly increase the sound until you can hear it comfortably and clearly, and without distortion.

Once you have established a comfortable sound level:

- Set the dial and leave it there.

Taking a minute to do this now will help to prevent hearing damage or loss in the future. After all, we want you listening for a lifetime.

We Want You Listening For a Lifetime

Used wisely, your new sound equipment will provide a lifetime of fun and enjoyment. Since hearing damage from loud noise is often undetectable until it is too late, this manufacturer and the Electronic Industries Association's Consumer Electronics Group recommend you avoid prolonged exposure to excessive noise.

Customer's Record:

The serial number of this product is found on its bottom cover. You should note the serial number of this unit in the space provided as a permanent record of your purchase to aid in identification in the event of theft or loss.

Model Number: JiMS-190

Serial Number: _____

IMPORTANT SAFETY INSTRUCTIONS

When used in the directed manner, this unit has been designed and manufactured to ensure your personal safety. However, improper use can result in potential electrical shock or fire hazards. Please read all safety and operating instructions carefully before installation and use, and keep these instructions handy for future reference. Take special note of all warnings listed in these instructions and on the unit.

1. Water and Moisture

The unit should not be used near water. For example: near a bathtub, washbowl, kitchen sink, laundry tub, swimming pool or in a set basement.

2. Ventilation

The unit should be situated so that its location or position does not interfere with its proper ventilation.

For example, it should not be situated on a bed, sofa, rug or similar surface that may block the ventilation openings. Also, it should not be placed in a built-in installation, such as a bookcase or cabinet, which may impede the flow of air through the ventilation openings.

3. Heat

The unit should be situated away from heat sources such as radiators, heat registers, stoves or other appliances (including amplifiers) that produce heat.

4. Power Source

The unit should be connected to a power supply only of the type described in the operating instructions or as marked on the appliance.

5. Power Cord Protection

Power supply cords should be routed so that they are not likely to be walked on or pinched by items placed upon or against them. It is always best to have a clear area from where the cord exits the unit to where it is plugged into an AC outlet.

6. Cleaning

The unit should be cleaned only as recommended. See the section "Care and Maintenance" of this manual for cleaning instructions.

IMPORTANT SAFETY INSTRUCTIONS

7.Object and Liquid Entry

Care should be taken so that objects do not fall and liquids are not spilled into any openings or vents located on the product.

8.Attachments

Do not use attachments not recommended by the product manufacturer.

9.Lightning and Power Surge Protection

Unplug the unit from the wall outlet and disconnect the power cord during periods of time. This will prevent damage to the product due to lightning and power-line surges.

10.Overloading

Do not overload wall outlets, extension cords, or integral convenience receptacles as this can result in a risk of fire or electric shock.

11.Damage Requiring Service

This unit should be serviced by qualified service personnel when:

- A.The power supply cord or plug has been damaged.
- B.Objects have fallen into or liquid has been spilled into the enclosure.
- C.The unit has been exposed to rain.
- D.The unit has been dropped or the enclosure damaged.
- E.The unit exhibits a marked change in performance or does not operate normally.

12.Antenna

Do not connect an external antenna to the unit (other than that provided).

13.Periods of Nonuse

If the unit is to be left unused for an extended period of time, such as a month or longer, the power cord should be unplugged from the unit to prevent damage or corrosion.

14.Servicing

The user should not attempt to service the unit beyond those methods described in the user's operating instructions. Service methods not covered in the operating instructions should be referred to qualified service personnel.

COMPLIANCE WITH FCC REGULATIONS

This device complies with Part 15 of the FCC Rules. Operation is subject to the following two conditions: (1) This device may not cause harmful interference, and (2) this device must accept any interference received, including interference that may cause undesired operation.

In accordance with FCC requirements, changes or modifications to this unit not expressly approved by the party responsible for compliance could void the user's authority to operate the equipment.

NOTE:

This equipment has been tested and found to comply with the limits for a Class B Digital Device, pursuant to Part 15 of the FCC Rules. These limits are designed to provide reasonable protection against harmful interference in a residential installation. This equipment generates, uses and can radiate radio frequency energy and, if not installed and used in accordance with the instructions, may cause harmful interference to radio communications. However, there is no guarantee that interference will not occur in a particular installation. If this equipment does cause harmful interference to radio or television reception, which can be determined by turning the equipment off and on, the user is encouraged to try to correct the interference by one or more of the following measures:

- Reorient or relocate the receiving antenna.
- Increase the separation between the equipment and receiver.
- Connect the equipment into an outlet on a circuit different from that to which the receiver is connected.
- Consult the dealer or an experienced radio/TV technician for assistance.

CAUTION:

Changes or modifications not expressly approved by the party responsible for compliance could void the user's authority to operate the equipment.

PRODUCT FEATURES

JiMS-190 is an iPod® Docking Music System which incorporates the following features:

- iPod®, iPod® mini, iPod classic, iPod touch and iPod nano Player / Recharger
- Audio Line-in for Connecting CD Player or Other Digital Audio Player
- 2 Built-in High Fidelity Aluminum Cone Speakers
- Multi-function Blue Back-lit LCD Display
- AM/FM Stereo Receiver with 10AM + 10FM Presets, Digital Tuning and Auto Search Function
- Electronic Volume Control
- Wake to Radio, Alarm or iPod®
- Snooze and Sleep Functions
- Built-in Contractible Aux Cord with 3.5mm Aux Plug
- External FM Antenna Jack for Better FM Reception
- Card Size Remote Control for Radio and iPod® Functions
- Output: 2 X 3W RMS

INSTALLATION

Clock Back-up Batteries Installation

1. Open the battery compartment door located at the bottom of the unit.
2. Install two DC1.5V 'AAA' (UM-4) batteries (not included) in the battery compartment following the polarity markings shown on it.
3. Replace the battery door on the battery compartment.

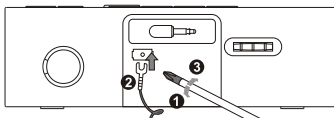
NOTE: Please disconnect the main power from the unit before replacing the clock back-up batteries.

WARNING:

- Be sure that the batteries are installed correctly. Wrong polarity may damage the unit.
- Do not mix old and new batteries.
- Do not mix alkaline, standard (carbon-zinc) or rechargeable (nickel-cadmium) batteries.
- Only batteries of the same or equivalent type as recommend are to be used.
- If the unit is not to be used for an extended period of time, remove the battery.
- Do not dispose of batteries in fire, batteries may explode or leak.

FM Antenna Installation

The FM Antenna Wire is provided in the package. Please see the illustration below for FM Antenna Wire installation.



Connect the FM Antenna Wire to the antenna terminal at the rear of the main unit

Remote Control

The remote control operates on one CR2032 battery (included). To activate the remote control, remove the insulation tab inserted in the battery compartment.

AC-DC Adaptor Connection

An AC-DC Adaptor with the output DC10V 1400mA (included) is required for operating the main unit.

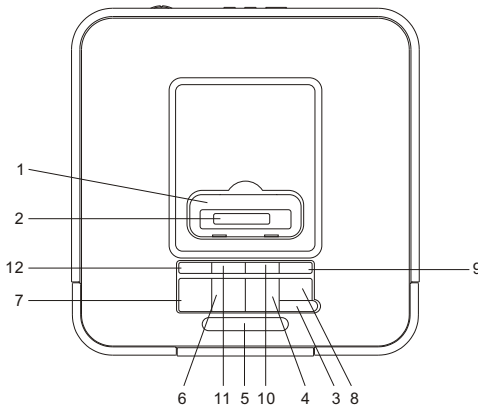
1. Firmly insert the DC plug of the adaptor (included) into the DC Jack on the back of the unit
2. Plug the adaptor's AC plug into your household AC power outlet (120VAC/60Hz).

NOTE: This unit is not magnetically shielded and may cause color distortion on the screen of some TVs or video monitors. To avoid this, you may need to move the unit further away from the TV or monitor if unnatural color shifts or image distortion occurs.

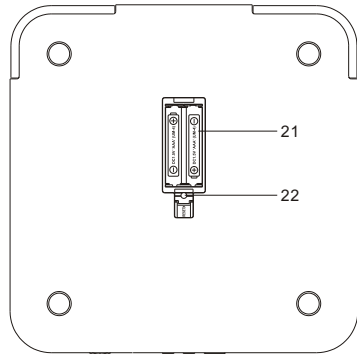
LOCATION OF CONTROLS

Main Unit

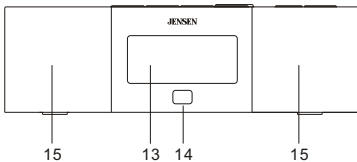
Top view



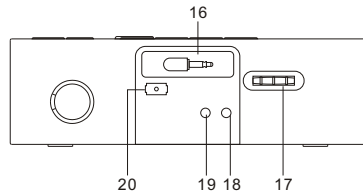
Bottom view



Front view



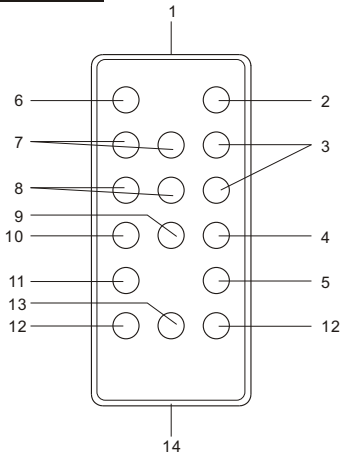
Rear view



1. iPod® Dock
2. iPod® Docking Connector
3. **POWER On/Off** Button — To turn the unit on or off
4. **VOLUME +/-** Buttons — Adjust the volume level up or down
5. **SNOOZE/LIGHT** Button — Activate the snooze function; Turn the LCD backlight on or off
6. **TUN +/- /iPod▶▶/◀◀** Buttons — Tune the radio channel frequency up or down; iPod® Skip/Search Forward/Backward Buttons ◀◀ for Backward, ▶▶ for Forward.
7. **CH +/-** Buttons — Select the preset radio stations
8. **ALARM On/Off** Button — Switch the alarm on or off
9. **SLEEP** Button — Select the time duration of the sleep timer
10. **MODE** Button — Enter the setting mode
11. **MEM/iPod ▶▶** Button — Save the radio preset stations; save settings; iPod® PLAY/PAUSE
12. **FUNCTION** Button — Select AM/FM Radio, iPod® mode and AUX (auxiliary input) mode
13. LCD Display
14. Remote Infra-red Sensor
15. Pair of Speakers
16. **AUX in Jack** — An Audio Cable with a 3.5mm stereo plug for the connection of external audio device
17. **Cord Retracting Wheel** — For extending or retracting the auxiliary cord
18. **DC Jack** — To connect to external DC power supply
19. Headphone Jack
20. FM Antenna Terminal
21. **Battery Compartment** — It is to contain two 'AAA' batteries for clock back-up
22. **RESET** Button — For resetting the unit

LOCATION OF CONTROLS

Remote Control



1. Infra-red Transmitter
2. POWER On/Off Button
3. VOL +/- Button
4. FUNCTION Button
5. ALARM On/Off Button
6. SNOOZE/LIGHT Button
7. TUN Up/Down Buttons
◀◀ for Down, ▶▶ for Up
8. CH +/- Buttons
9. MEM Button
10. MODE Button
11. SLEEP Button
12. iPod® Skip/Search Forward/Backward Buttons
◀◀ for Backward, ▶▶ for Forward.
13. iPod® PLAY/PAUSE
14. Battery Compartment

RADIO OPERATIONS

FM Antenna

Connect the detachable FM Antenna Wire to the FM Antenna Terminal as instructed in the section "INSTALLATION". Fully extend the FM Antenna Wire for the maximum reception.

Radio Tuning

1. Press the POWER button to turn on the unit.
2. Press the FUNCTION button repeatedly until "AM" or "FM" mode is reached.
3. In FM radio mode, if necessary, press the MODE button to select STEREO (ST) or MONO FM reception.
4. To manually tune the radio station, repeatedly press the TUN Up/Down Buttons.
5. To automatically search the next or previous station with the strongest signal, press and hold the TUN Up/Down Buttons until the frequency readout on the display begins to scan and then release the button. The tuner will stop scanning until the strongest signal station is searched.

NOTE:

**-Use manual tuning to select weaker stations that might be bypassed during automatic tuning.
-If the automatic search does not stop at the exact frequency, for example, it stops at 100.9MHz instead of 100.8MHz, press TUN +/- to finely tune the exact frequency.**

Preset Stations

The unit allows you to store up to 10 AM and 10 FM stations in the preset memories for easy recalling any time.

1. Press the POWER button to turn on the unit.
2. To activate the radio, press the FUNCTION button to select AM or FM band.
3. Tune to your desired radio station by pressing the TUN +/- buttons.
4. Press the MEM button. The preset channel number "01" and the icon "MEM" will flash on the display.
5. Select your desired preset number by pressing CH +/- button.
6. After the preset channel number is selected, press the MEM button to confirm your selection. The station is saved in the preset channel now.
7. To further store more stations, repeat the steps 3, 4, 5 and 6.

Radio Broadcast System Selection

In case the unit is moved to other countries with slightly different radio broadcast system, the unit allows you to select USA, EU and Japan systems.

1. Set the unit to Power Off mode.
2. Press the MODE button repeatedly until the flashing "USA", "EU" or "JP" is seen.
3. Press the TUN +/- button to select one of the broadcasting systems, 9kHz or 10kHz as the tuning step.
4. Press MEM button to save the setting and exit the setting mode.

NOTE:

The followings are the specifications of the three radio broadcast systems:

- USA's Radio Broadcast System

**AM 520 — 1710 kHz, 10 kHz tuning step
FM 87.5 — 108 MHz, 0.1 MHz tuning step**

- EU's Radio Broadcast System

**AM 522 — 1620 kHz, 9 kHz tuning step
FM 87.5 — 108 MHz, 0.05 MHz tuning step**

- Japan's Radio Broadcast System

**AM 522 — 1629 kHz, 9 kHz tuning step
FM 76.0 — 108 MHz, 0.1 MHz tuning step**

Tips for the Best Reception

To obtain the best AM reception, slightly rotate the unit until the clearest signal is received or place it near outdoor.

To obtain the best FM reception, fully extend the FM Antenna and adjust its direction.

**NOTE: The iPod may cause interference to the AM reception if it is docked and turned ON.
You should turn off the iPod manually or remove it from the unit for better reception.**

iPod® DOCKING

If the docking port will not be used for an extended period of time, it is recommended to cover the docking port by using the "Dock Cover" insert (included).

1. Use the iPod adaptor included in your iPod and insert it into the docking area. Your iPod can now be inserted into the docking port by placing the connector on the bottom of the iPod onto the connector in the docking bay.

Note: Please be careful when seating the iPod into the docking to avoid damaging the 30-pin connector on iPod or docking system.

2. Press the POWER On/Off button to switch on the docking system.

3. Press the FUNCTION button repeatedly until the indicator "iPod" shows on the display. The iPod® will start playing and charging automatically.

4. Select your desired EQ and play mode in your iPod®.

5. Press the VOL +/- button on the docking system to adjust your desired volume level

NOTE: The volume level cannot be adjusted by the volume control of your iPod® after being docked.

6. The iPod® is charging even during playback.

NOTE: The iPod will only charge in iPod, AUX, or power "OFF" modes.

7. To remove the iPod® from the unit, press and hold the PLAY/PAUSE button for three seconds to switch off the device and then gently remove it from the docking connector.

You may control the playback of your iPod® by:

- Press the PLAY/PAUSE ►| button to pause or resume the iPod® playback;
- Press the iPod Skip/Search Forward ►► or Backward ◀◀ button to skip to the next or previous song;
- Press and hold the iPod Skip/Search Forward ►► or Backward ◀◀ button for fast-forwarding or fast-rewinding during playback.

AUXILIARY INPUT

The auxiliary input cable and plug are built in the unit and allows users to connect their CD player, MP3 player or other digital audio players to the unit.

1. Keep turning the Cord Retracting Wheel, located at the rear of the unit, to the right and pull out the AUX IN Cable located next to the wheel.
2. Connect the AUX IN Stereo Plug to the Line Out Jack or Headphone Jack of an external audio device (not included).
3. Switch on the audio device.
4. Press the FUNCTION button repeatedly until AUX mode is displayed. The display will show the icon "AUX".
5. Control the volume level by the volume control on the audio device or pressing the VOL +/- on the main unit or the remote control.

CLOCK AND CALENDAR SETTINGS

The clock and calendar can be set in Power Off mode.

Clock Setting

- 1.Press the MODE button 3 times, the clock starts to flash.
- 2.Press the TUN +/- button to set the hour.
- 3.Press the VOL +/- button to set the minute.
- 4.Press the MEM button to confirm the settings.

12/24 Hour Time Display Mode Setting

- 1.Press the MODE button repeatedly until the 12/24 Hour Format Setting mode is reached. The flashing '12hr' or '24hr' will be displayed.
- 2.Press TUN +/- button to select 12 hour or 24 hour time display mode.
- 3.Press the MEM button to confirm the setting.

Calendar Setting

Year

- 1.Press the MODE button repeatedly until the year setting mode is reached. The year readout flashes now.
- 2.To set the year, press the TUN +/- button to set the correct year.
- 3.Press the MEM button to confirm the setting.

Month/Date

- 1.Press the MODE button repeatedly until the Month/Date setting mode is reached. The readout of the Month/Date flashes now.
- 2.To set the month, press the TUN +/- button. To set the date, press the VOL +/- button.
- 3.Press the MEM button to confirm the settings.

ALARM OPERATIONS

Setting the Alarm Time

When the unit is in Power Off mode:

1. Press the MODE button once. The alarm clock display flashes now.
2. Press the TUN +/- button to set the alarm hour and VOL +/- button to set the alarm minute.
3. Press the MODE button again. The alarm icon will flash.
4. Select "Wake to Buzzer", "Wake to Radio" or "Wake to iPod®" by pressing the VOL +/- button.

NOTE:

- When "Wake to Radio" is selected, ensuring that your desired radio station is tuned and the proper volume level is set.
- When "Wake to iPod®" is selected but your iPod® has not been docked, the alarm source will be redirected to the Buzzer automatically when the alarm time is reached.

5. Press the MEM button to save all the settings and exit the setting mode.

6. To activate the daily alarm, press ALARM On/Off button. The icon "🔔" will appear on the display.

7. When the alarm time is reached, the alarm will sound from the selected source immediately.

Wake to Buzzer (🔔 BUZ)

- After the alarm time is reached, the buzzer alarm will sound immediately for one minute.
- After the first alarm minute, it will switch to Auto Snooze mode. Once the alarm is off, the next alarm will come again after the 10 minute snooze period is completed. This operation will be repeated 3 times. After the third alarm is finished, the alarm will shut off until the same alarm time on the next day.
- To stop the buzzer alarm immediately, press the ALARM On/Off button once.

Wake to Radio (📻 RAD)

- The radio will automatically turn on when the alarm time is reached. It starts softly and becomes gradually louder.
- The radio alarm will keep for 60 minutes and then will automatically shut off.
- To stop the radio alarm sound immediately, press the ALARM On/Off button once.

Wake to iPod® (🎧 iPod)

- Your docked iPod® will automatically switch on when the alarm time is reached. It starts softly and becomes gradually louder.
- The iPod® playback will keep for 60 minutes and then automatically shut off.
- To stop the iPod® playback immediately, press the ALARM On/Off button once.

Snooze Function

- When the alarm sounds, it can be temporarily stopped by pressing the SNOOZE button. The display will show the indicator "SNOOZE".
- The alarm will be delayed for 10 minutes and then come again.
- This manual snooze operation can be repeated only three times.

Sleep Timer

- The Sleep Timer allows you to set the unit to automatically power off after a selected sleep time is set.
- To activate the Sleep Timer and select the sleep time, press the SLEEP button repeatedly. The sleep times available for choosing are: 15, 30, 45 or 60 minutes. The display will show the indicator "SLEEP".
- To switch off the Sleep Timer, press the SLEEP button repeatedly until the SLEEP indicator disappears.
- To switch off the unit before the selected sleep time, press the POWER On/Off button once.
- To check the current sleep time, press the SLEEP button once.

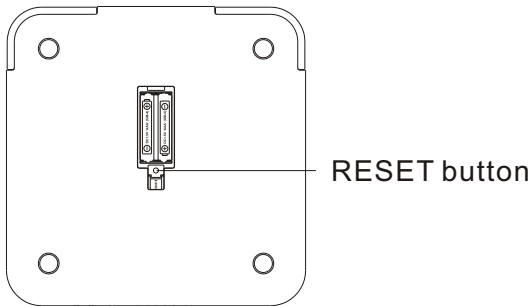
CARE AND MAINTENANCE

- Do not subject the unit to excessive force, shock, dust or extreme temperature.
- Do not tamper the internal components of the unit.
- Clean your unit with a damp (never wet) cloth. Solvent or detergent should never be used.
- Avoid leaving your unit in direct sunlight or in hot, humid or dusty places.
- Keep your unit away from heating appliances and sources of electrical noise such as fluorescent lamps or motors.

Resetting the Unit

If the unit is subject to a power surge or electric shock, it is possible that the internal micro-controller may lock up and the unit will not respond to any commands from the top panel controls or remote control.

1. In this event, unplug and then reconnect the AC power plug into the wall outlet.
2. Use a straightened paper clip, toothpick or similar objects to press the RESET button located on the bottom of the main unit (see the below figure). The reset operation clears the system memory and all of your previous settings will be erased. **CAUTION: DO NOT USE SHARP, POINTED OBJECT TO PRESS THE RESET BUTTON. IT MAY DAMAGE THE RESET SWITCH INSIDE THE UNIT.**



TROUBLESHOOTING GUIDE

Symptom	Possible Problem	Solution
The unit does not respond (no power)	AC Adaptor is not plugged into a wall outlet or the connector is not plugged into the power supply jack on the back of the unit.	Plug the AC adaptor into a wall outlet and plug the connector into the supply jack on the unit.
	Wall outlet is not functioning.	Plug another device into the same outlet to confirm the outlet is working.
iPod® does not dock properly	Using no/wrong iPod® Adaptor	Make sure the dock insert is the proper fit for your iPod®
	iPod® does not install properly.	Remove your iPod® from the dock and check for obstruction on the connectors in the dock and on your iPod®. Then reseat it in the dock.
iPod® does not respond to the speaker system	iPod® is not installed properly.	Remove your iPod® from the dock and check for obstruction on the connectors in the dock and on your iPod®. Then reseat it on the dock.
	Your iPod® is locked up.	Please make sure that your iPod® is working properly before docking into the unit. Please refer to your iPod® manual for details.
iPod® does not charge up	iPod® is not installed properly.	Remove your iPod® from the dock and check for obstruction on the connectors in the dock and on your iPod®. Then reseat it in the dock.
	iPod® is locked up/ frozen. iPod® battery has problem.	Please make sure your iPod® is working properly before docking into the unit. Please refer to your iPod® manual for details.
	Unit is in Radio mode	Select iPod, AUX or Standby mode for iPod charging
iPod unintentionally wake up in PAUSE mode	It may be caused during function switching	Wait for 3 minutes, iPod will enter sleep mode automatically
AM band is too noisy	The reception at the set location is poor.	Slightly rotate the unit for the best reception.
Sound is distorted	Volume level is set too high.	Decrease the volume.
	Sound source is distorted.	If the iPod original sound source is of poor quality, distortion and noise are easily noticed with high-power speakers. Try a different audio source such as a music CD. If you are using an external sound source like older generation of iPod®, try reducing the output volume on the device itself. Also try turning bass boost OFF or change the EQ setting.
Unit gets warm after extended play at high volume	This is normal.	Turn the unit off for a period of time or lower volume.

SPECIFICATIONS

Power Supply

Power Adaptor (included)

Input: AC120V/60Hz
Output: DC10V/1400mA

Battery Back-up for Clock
Remote Control

DC1.5V 'AAA' (UM-4) Battery X 2 (not included)
CR2032 X 1 (included)

Frequency Range

USA's Radio Broadcast System

AM 520 — 1710 kHz, 10 kHz tuning step
FM 87.5 — 108 MHz, 0.1 MHz tuning step

EU's Radio Broadcast System

AM 522 — 1620 kHz, 9 kHz tuning step
FM 87.5 — 108 MHz, 0.05 MHz tuning step

Japan's Radio Broadcast System

AM 522 — 1629 kHz, 9 kHz tuning step
FM 76.0 — 108 MHz, 0.1 MHz tuning step

SERVICE

Please refer to the instructions on the enclosed warranty card for returning your unit for service. When returning the unit, please remove batteries to prevent damage to the unit in transit and/or from possible leakage. We are not responsible for batteries returned with the product or for the cost of replacement.

Distributed by:

SPECTRA Merchandising International, Inc.
Chicago Industry Tech Park
4230 North Normandy Avenue
Chicago, IL 60634, U.S.A.

Please have model number ready, for Customer Service, call 1-800-777-5331.

The specification and external appearance of the set are subject to change without prior notice.

Printed in China

Free Manuals Download Website

<http://myh66.com>

<http://usermanuals.us>

<http://www.somanuals.com>

<http://www.4manuals.cc>

<http://www.manual-lib.com>

<http://www.404manual.com>

<http://www.luxmanual.com>

<http://aubethermostatmanual.com>

Golf course search by state

<http://golfingnear.com>

Email search by domain

<http://emailbydomain.com>

Auto manuals search

<http://auto.somanuals.com>

TV manuals search

<http://tv.somanuals.com>