

OPEL

23" 16:9 V

Please read the
...ure reference
...ARNING stick
... follow the in
...chemical sol
...on the su
...age

Please

Safety Precautions:

1. Ensure the plug is securely plugged into the main socket before operating the unit.
2. Ensure the Voltage on the main socket is the same as specified on the unit.
3. Use parts only manufactured by the unit manufacturers.
4. Request a repair report from the technician/service personnel.
5. Ensure the battery is correctly installed before using the unit.

In case of the following emergencies, remove plug from the main socket immediately:

1. Plug or cables are damaged.
2. Any form of foreign objects dropped inside the enclosure.
3. Unit is being exposed to rain and/or water.
4. Unit unable to operate under normal operation.

Notices:

1. The changes or modifications not expressly approved by the party responsible for compliance could void the user's authority to operate the equipment.
2. To comply with the FCC RF exposure compliance requirements, no change to the antenna or the device is permitted. Any change to the antenna or the device could result in the device exceeding the RF exposure requirements and void user's authority to operate the device.

This device complies with part 15 of the FCC RULES. Operations is subject to the following two conditions:

- (1) This device may not cause harmful interference and
- (2) This device must accept any interference received, including interference that may cause undisturbed operation.



CAUTION: TO REDUCE THE RISK OF ELECTRIC SHOCK, DO NOT REMOVE COVER (OR BACK). NO USER-SERVICEABLE PARTS INSIDE. REFER SERVICING TO QUALIFIED SERVICE PERSONNEL.



The lightning flash with Arrowhead Symbol within an equilateral triangle is intended to alert the user to the presence of "uninsulated" dangerous voltage within the product's enclosure that may be of sufficient magnitude to constitute a risk of electric shock to persons.



The exclamation point within an equilateral triangle is intended to alert the user to the presence of important operating and maintenance (servicing) instructions in the literature accompanying the appliance.

CONTENTS:

1. INTRODUCTION

Overview	01
Product Specifications	02
Contents/Accessories	03

2. FRONT PANEL CONTROL

Panel Control	04
Input/Output	04

3. REMOTE CONTROL FUNCTION

Controls & Functions	05
----------------------------	----

4. INSTALLATION GUIDE

When Connecting to a TV Cable	06
Connecting to Other Equipment	07
Input (RCA) from other Equipment	07
Output (RCA) to Other AV Equipment	07
VGA Input	08
Connect Power	08

5. BASIC FUNCTIONS

Power Signal	09
Mode(SOURCE)	09
Volume Setting	10
Channel Search	10
OSD Setting	10
Mute Setting	11

6. OSD SETTINGS

Management Setting	12
TV Setting	13
Audio Adjust Setting	14
Picture Adjust Setting	15

CONTENTS:

PC Adjust Setting -----	16
7. ANNEX A	
LCD Maintenance -----	17
8. ANNEX B	
Troubleshooting -----	18
Common Problems -----	18
9. SPECIFICATIONS -----	19

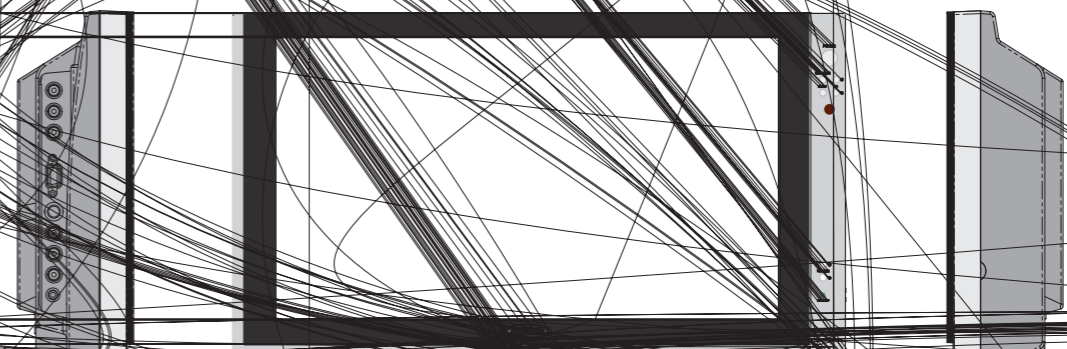
1. INTRODUCTION:

Overview .

New technology in LCD monitors allows the enjoyment of a higher quality picture display and higher brightness; lighter in weight and slimmer body design, power saving capabilities and low radiation, giving you a safe, relaxing and environmental friendly visual enjoyment.

Our product uses high quality original imported 23 inches 16:9 colored "Active Matrix TFT". The Active Matrix TFT high decoding capabilities enable display of complicated or high quality images, presenting a vivid visual reproduction and beautiful visual display. Incorporated with a user-friendly menu, allowing easy customization to user preferences.

The unit comes with built-in screen display controls when used with the remote control, allowing you to make changes to the settings. It even support the use of 2 channel wireless headphones, therefore you do not need to worry that the volume coming out from the monitor will disturb other people. The Digital True Surround Sound capabilities from the 3D Stereo Speaker brings you the ultimate enjoyment of audio visual effects. Digital output function, when connected to other audiovisual devices, gives you the best enjoyment in entertainment relaxation.

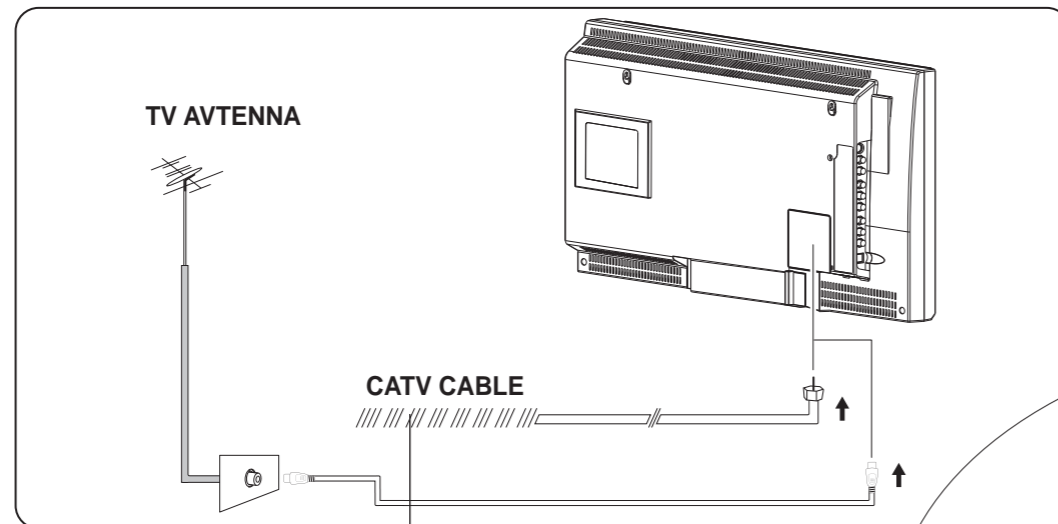




4. INSTALLATION GUIDE:

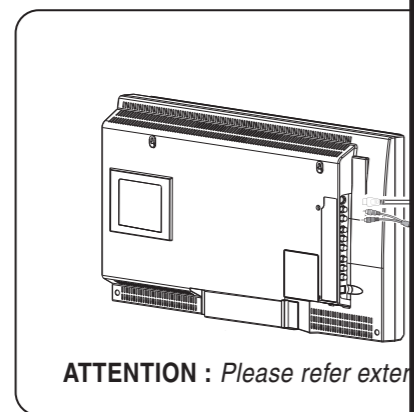
When Connecting to a TV Cable:

1. Remove Antenna Socket cover.
2. Plug the cable to the input socket on the unit.
3. Connect the cable that comes along with the unit to the one you are using when needed.



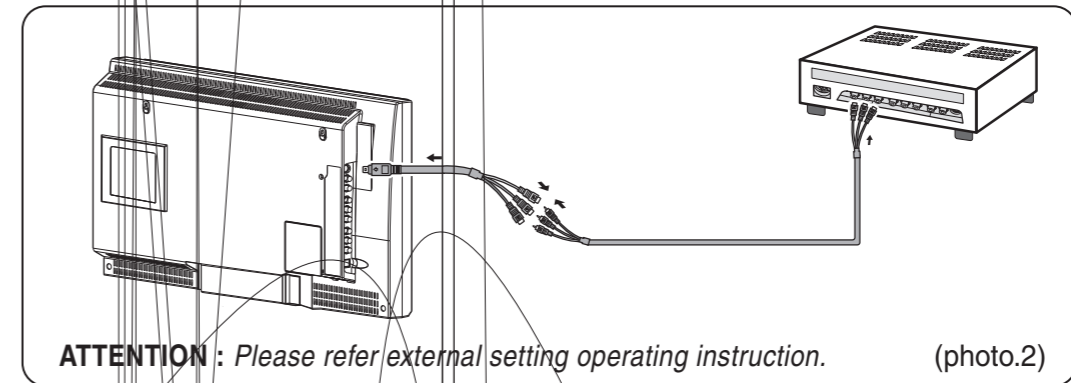
Connecting to Other Equipment

1. This unit is able to support various AV equipment, such as amplifier, game console etc, to be connected.
2. Connect AV equipment using S-Video, Component Video, or RCA cables to the TV Side Input Panel.
3. Using the S-Video cable, connect the S-Video cable to the S-Video input socket on the TV Side Input Panel.
4. Connect your AV cable to the AV output socket on the TV Side Input Panel.



ATTENTION : Please refer external setting operating instruction.

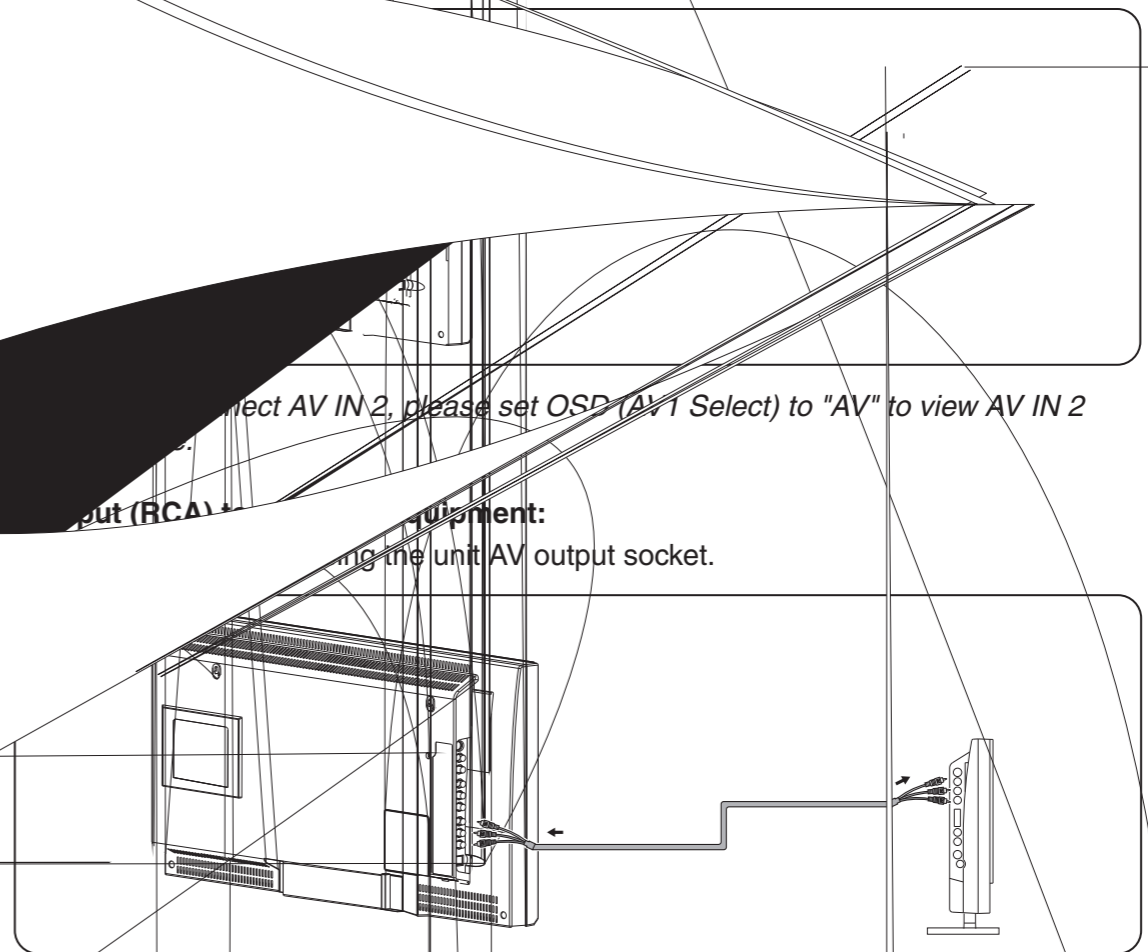
Noted: When connect S-Video input, please set OSD (AV1 Select) to "S-VIDEO" to view S-VIDEO source.



ATTENTION : Please refer external setting operating instruction. (photo.2)

Noted: When connect Component Video input, please set OSD (AV1 Select) to "CV" to view Component-Video source.

Input (RCA) from other Equipment:
Connect to the TV AV IN 2 socket.



Noted: When connect AV IN 2, please set OSD (AV1 Select) to "AV" to view AV IN 2 source.

Output (RCA) to other Equipment:
Connect to the unit AV output socket.

Noted: When connect AV OUT 1, please set OSD (AV1 Select) to "AV" to view AV OUT 1 source.

*** VGA Input:**

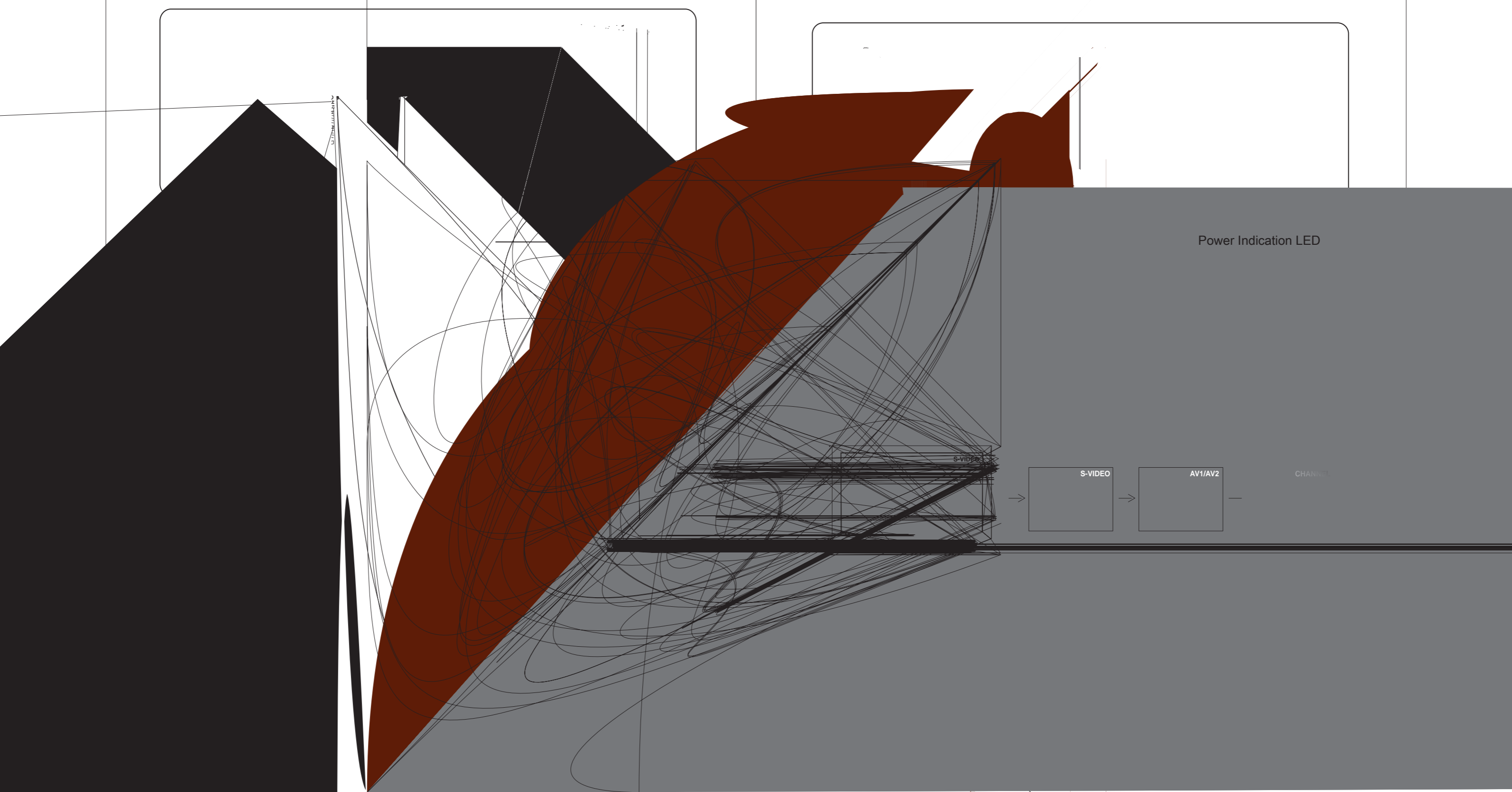
This unit provides VGA (Computer) input connector.

1. Connect computer VGA output to the monitor VGA input using VGA cable.
2. To connect audio source, using audio cable to connect from computer audio output to VGA audio input.

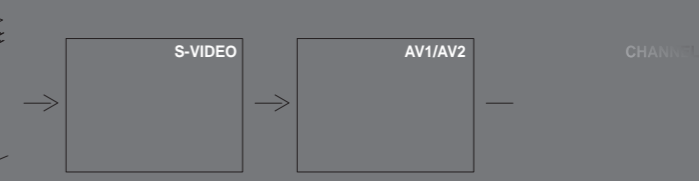
5. Basic Functions :

*** POWER SIGNAL:**

1. When POWER indication LED on unit turns RED in color indicating power is connected.
2. Press the "Power" button on the remote control, the POWER indication LED on the TV Front Panel will turn "GREEN in color".



Power Indication LED



*** Volume Setting:**

1. Press "Volume +/-" (▲/▼) button on remote control to adjust volume level.



*** Mute:**

1. Press "MUTE" button on remote control to mute speakers. "MUTE" will display on screen.
2. Press "MUTE" button again or "Volume +/-" button to return sound back to speakers.

*** Channel Select:**

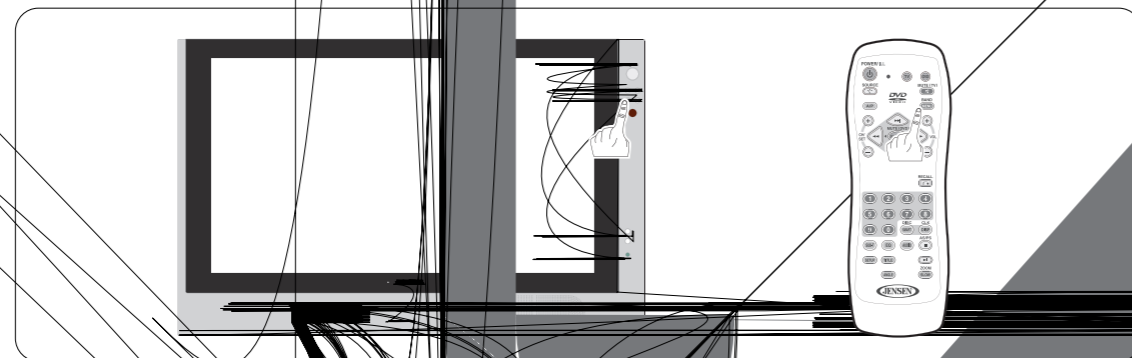
1. Press "Channel ▲/▼" button on remote control or TV Front Control Panel to change/select channels.
2. Press on Number buttons on remote control to change/select channel directly.



*** OSD Menu Setting:**

This monitor provide "OSD" setting, enable you to customize the setting for monitor. Press "MENU" button on remote or front control panel to set OSD menu.

Noted: Before adjust settings, ensure all the video source is in correct mode.



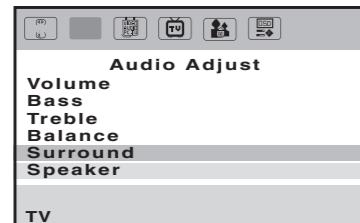
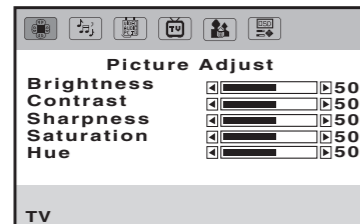
6. OSD Settings:

This monitor provide "OSD" setting, enable you to customize the setting for monitor.
Noted: Before adjust settings, ensure all the video source is in correct mode.

Management Setting :

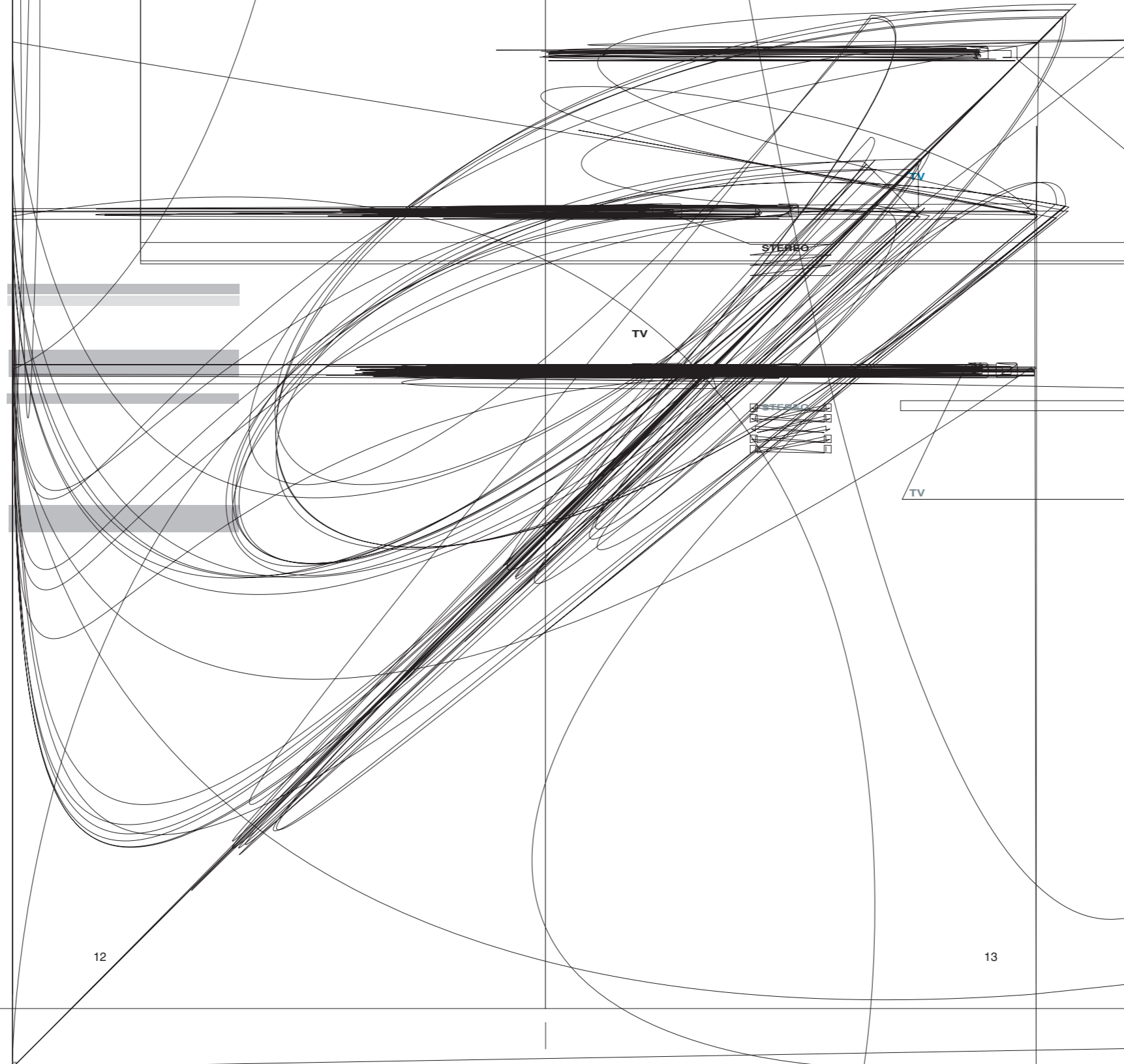
Press "MENU" button, osd menu will display on screen, press "SET / " button to select "TV setting", and press "ENTER" button to enter management setting, then press "SET / / / " select course settings. (Pls see chart as below)

TV Setting :



TV Setting :

Press "MENU" button, osd menu will display on screen, press "SET / " button to select "TV setting", and press "ENTER" button to enter TV setting, then press "SET / / / " select course settings. (Pls see chart as below)



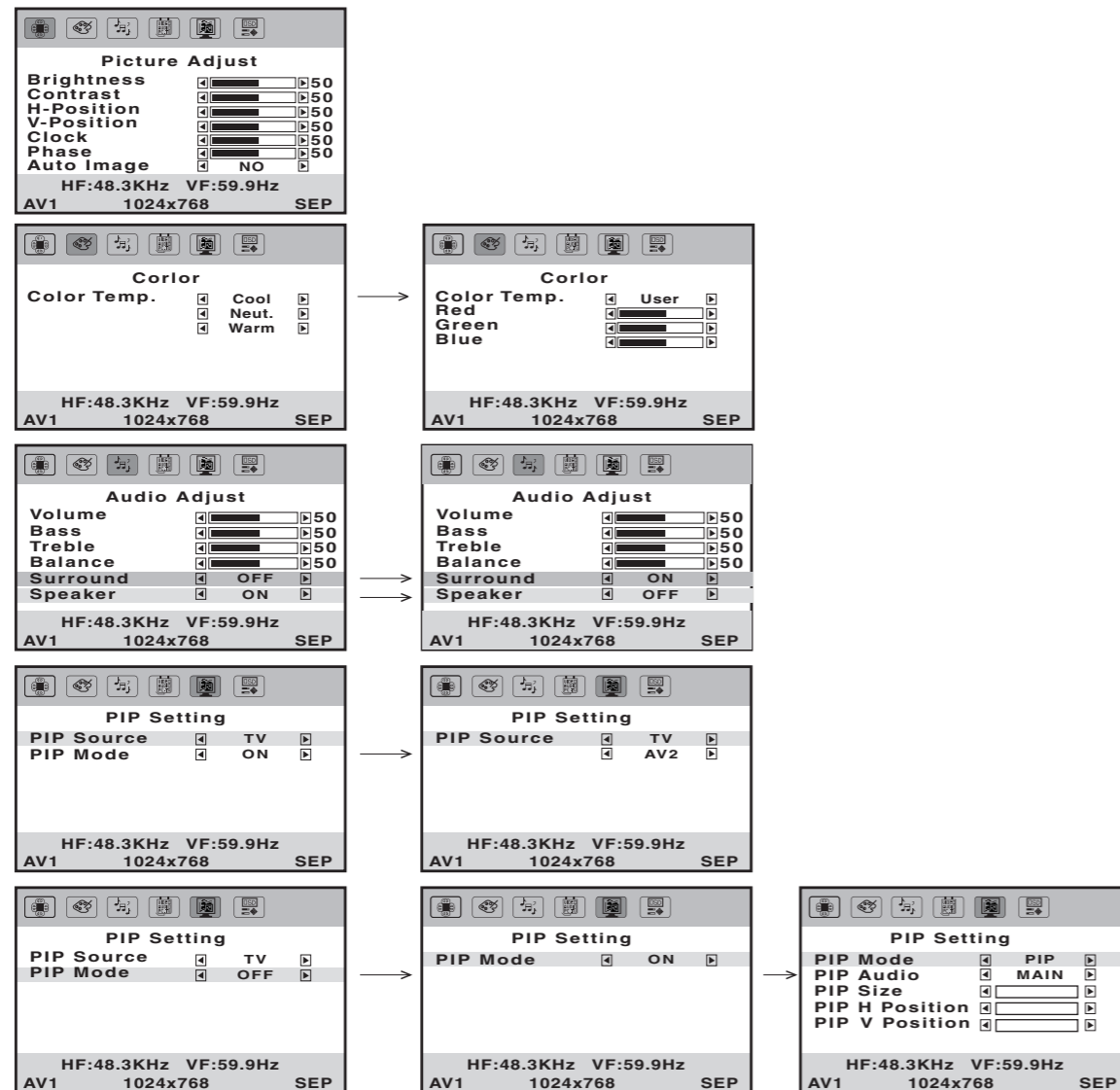
6. OSD Settings:

This monitor provide "OSD" setting, enable you to customize the setting for monitor.
Noted: Before adjust settings, ensure all the video source is in correct mode.

Management Setting :

Press "MENU" button, osd menu will display on screen, press "SET ►/◄" button to select "Management setting", and press "ENTER" button to enter management setting, then press "SET►/◄/►/◄" select course settings. (Pls see chart as below)

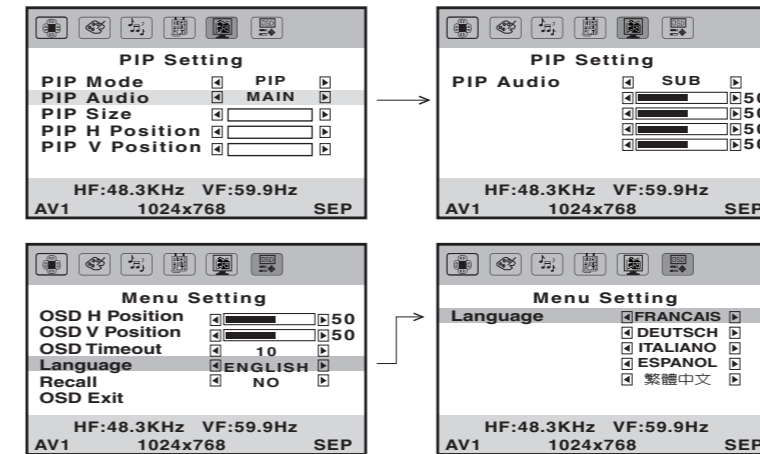
PC Settings:



OSD Settings:

Management Setting :

Press "MENU" button, osd menu will display on screen, press "SET ►/◄" button to select "Management setting", and press "ENTER" button to enter management setting, then press "SET►/◄/►/◄" select course settings. (Pls see chart as below)



7. ANNEX A:

LCD Monitor Care & Cleaning Tips:

To avoid possible shock hazard, be sure the LCD TV is turn off and unplugged from the main electrical outlet before cleaning.

Do not use any form of solvents on the LCD monitor.

Cleaning the LCD Monitor:

1. Use a soft, clean & dry cloth to gently wipe off the dust on the LCD monitor.
2. Use a clean cloth dampened with water to wipe off the dirt.
3. Do not exert force when cleaning the LCD monitor.

Cleaning the Enclosure:

1. Use a soft, clean & dry cloth to gently wipe off the dust on the LCD monitor.
2. Use a clean cloth dampened with water to wipe off the dirt.
3. Do not exert force when cleaning the LCD monitor.

8. ANNEX B:

Troubleshooting:

If the unit fails to operate normally, try solving the problems using the guide below. If the problem persists, switch off the unit and ask the dealer or customer services officer for assistance. Do not attempt to repair the defective unit yourself. Do not endanger yourself as high voltage is involved.

1. No Picture:

- a. Check that the power cord is plugged into the main socket



asaelectronics.com

Free Manuals Download Website

<http://myh66.com>

<http://usermanuals.us>

<http://www.somanuals.com>

<http://www.4manuals.cc>

<http://www.manual-lib.com>

<http://www.404manual.com>

<http://www.luxmanual.com>

<http://aubethermostatmanual.com>

Golf course search by state

<http://golfingnear.com>

Email search by domain

<http://emailbydomain.com>

Auto manuals search

<http://auto.somanuals.com>

TV manuals search

<http://tv.somanuals.com>