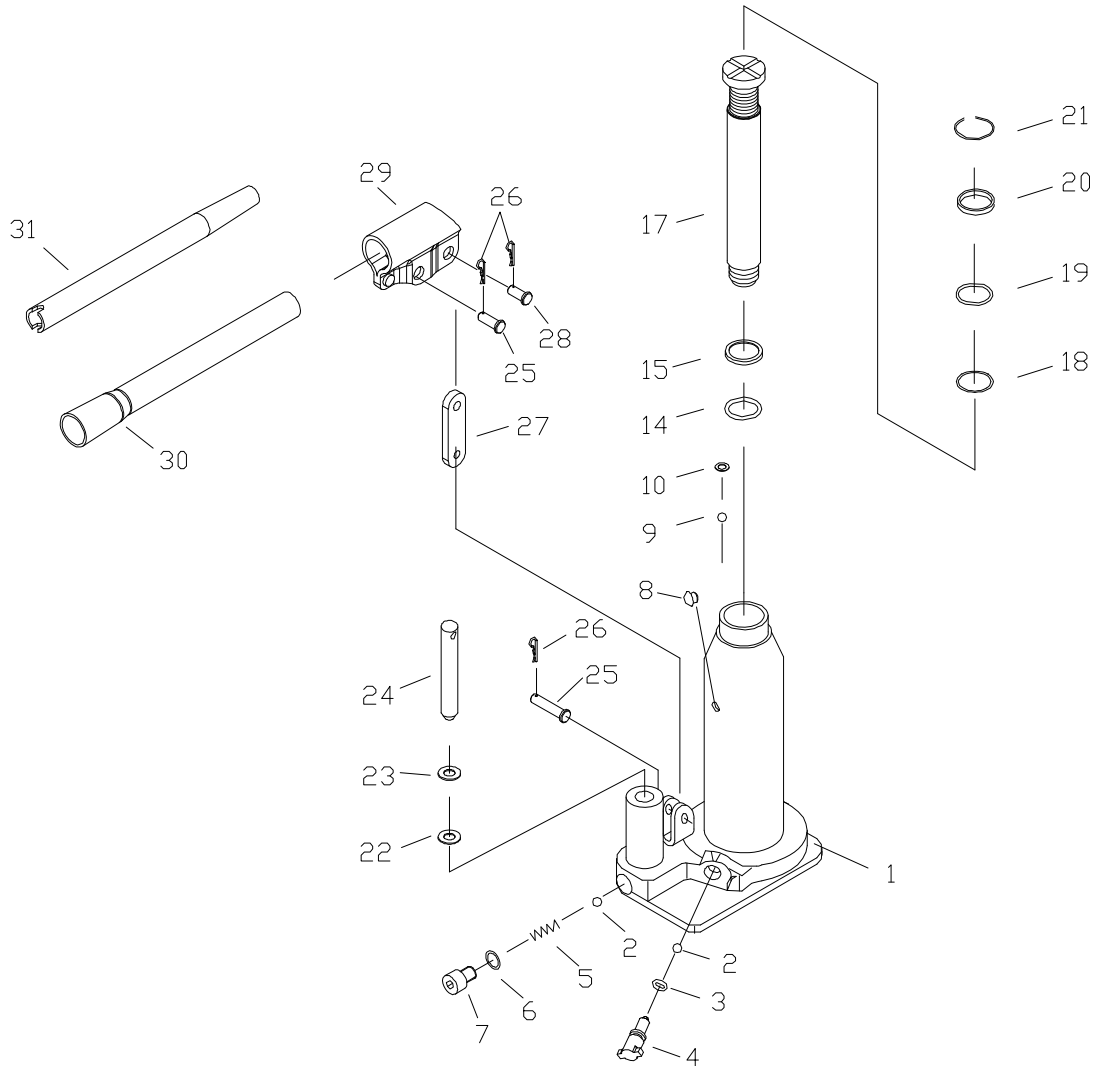




### 3 Ton Bottle Jack

**Model**     **Stock No**  
JBJ-3        655551



See reverse side for parts list

**WALTER MEIER (Manufacturing) Inc.**

427 New Sanford Road  
LaVergne, Tennessee 37086  
Ph.: 800-274-6848  
www.waltermeier.com

**Part No. M-655551**

Revision C 11/2010

Copyright © 2010 Walter Meier (Manufacturing), Inc.

## Parts List for 3-Ton Bottle Jack

Index No.	Part No.	Description	Size	Qty.
1	JBJ3-1	Body		1
2	SB-6mm	Steel ball	6 mm	2
3	JBJ12-3	O-ring*	7.1 x 2.65 mm	1
4	JBJ5-2	Release rod		1
5	JBJ5-3	Spring		1
6	JBJ5-4	Copper washer*		1
7	JBJ5-5	Screw	M6 x 10	1
8	JBJ12-9	Oil filler plug*	6 mm	1
9	SB-5mm	Steel ball	5 mm	1
10	JBJ3-2	Washer		1
14	JBJ3-6	O-ring*	16.3 x 5 mm	1
15	JBJ3-7	Sealing washer*		1
17	JBJ3-9	Ram		1
18	JBJ3-10	Washer		1
19	JBJ3-11	O-ring*	22.4 x 3.55 mm	1
20	JBJ3-12	Bushing		1
21	JBJ3-13	Snap ring		1
22	JBJ5-18	O-ring*	9.4 x 2.4 mm	1
23	JBJ5-19	Nylon gasket*		1
24	JBJ5-20	Pump cylinder		1
25	JBJ5-21	Pin		2
26	JBJ12-31	Pin		3
27	JBJ5-22	Joining plate		1
28	JBJ5-23	Pin		1
29	JBJ3-15	Handle socket		1
30	JBJ3-16	Rear handle		1
31	JBJ3-17	Front handle		1
	JBJ3-RPK	Repair kit		

Items marked with an asterisk (\*) are included in the Repair Kit.

### Ordering Replacement Parts

To order parts or reach our service department, call 800-274-6848 Monday through Friday (see our website for business hours, [www.waltermeier.com](http://www.waltermeier.com)). Having the Model Number and Serial Number of your machine available when you call will allow us to serve you quickly and accurately.

## Free Manuals Download Website

<http://myh66.com>

<http://usermanuals.us>

<http://www.somanuals.com>

<http://www.4manuals.cc>

<http://www.manual-lib.com>

<http://www.404manual.com>

<http://www.luxmanual.com>

<http://aubethermostatmanual.com>

Golf course search by state

<http://golfingnear.com>

Email search by domain

<http://emailbydomain.com>

Auto manuals search

<http://auto.somanuals.com>

TV manuals search

<http://tv.somanuals.com>