

# LOW TEMP WAREWASHERS



## Technical Manual

2003 02

**Welcome to JET TECH**  
**“creating endless possibilities!”**

*This manual was created specifically for you, the end-user. We have included information to help troubleshoot problems and facilitate resolving those problems. General information pertaining to our range of ware-washers will be covered in this section.*

*Specific information on our current models are available upon request; model by model.*

*If you find any discrepancy or can't find certain information, please contact us. We will be glad to be of assistance.*

**JET-TECH SYSTEMS**  
5771 Ferrier street  
Montreal, Quebec H4P 1N3

**Tel.: 888-275-4538 (888-ASK-4-JET)**  
**; 514-737-9701**  
**Fax: 514-342-3854**  
**e-mail: service@jet-tech.com**

# Warranty

## MANUFACTURERS LIMITED WARRANTY

Jet Tech Systems Corporation (Jet Tech) hereby warrants all new warewashers bearing the name "JET TECH" and installed within the continental United States of America or Canada to be free from defects in material and workmanship, under normal and regular usage and operation, for a period of one (1) year following the date of original installation, (**unless specified otherwise**) but in no event can exceed eighteen (18) months from the date of shipment from the factory.

If a defect in material(s) or workmanship is detected; or found to exist within the stated period above, Jet Tech, at its sole discretion, shall either repair or replace any original equipment manufacturers part which has proven to fail within the machine; providing that the equipment has not been altered or tampered with in any manner, has been installed correctly as per the owners manual, and maintained and operated in complete accordance with this manual.

The labor cost to repair or replace any part proven to be defective, as per above clause(s), shall be covered by Jet Tech Systems, within the continental United States of America or Canada; provided that: prior authorization for this labor was approved by Jet-Tech Systems, the service work was performed by an authorized Jet Tech service agency; and that this agency installed an original and genuine Jet Tech part in the machine. Any repair work performed by a non-authorized service depot remains the sole responsibility of the user, and Jet Tech Systems will not be held responsible. **The installation of any generic part will not be valid; and therefore voids this warranty.** All authorized labor coverage shall be limited to regular hourly rates only. Any supplemental hourly rates or charges, such as weekends or emergency premiums remain the responsibility of the user.

Jet Tech Systems Corp. (Jet Tech) hereby states that: warranty travel time shall be limited to, and without exception, a round-trip total of two (2) hours OR mileage up to a maximum of one hundred (100) miles round-trip. Any charges exceeding those stated herein must have prior authorization by the factory.

**Exceptions to above warranty are:** (A) Damages resulting from shipping, handling or abuse. (B) Incorrect installation and/or connections. (C) Adjustments or calibration of any parts. (D) Faults due to lack of regular maintenance or cleaning of any internal part(s). (E) Replacement of any wearable items such as: glasswasher curtains, or peristaltic squeeze tubing or gaskets. (F) Excessive lime, mineral, alkali or hard water conditions (In excess of 6 grain) and (G) Poor results due to: use of an incorrect type of detergent (for non-commercial type applications), and excessive or inadequate water temperature(s) or pressure conditions or incorrect use. (H) Labour and mileage coverage does not apply upon condition of sale.

JET TECH SYSTEMS CORPORATION STATES THAT THERE ARE NO OTHER WARRANTIES, EXPRESSED OR IMPLIED, THAT ARE NOT SET FORTH HEREIN, JET TECH SYSTEMS CORPORATION SHALL ASSUME NO OTHER RESPONSIBILITY, EITHER DIRECT OR NON-DIRECT, OR BE LIABLE FOR ANY OTHER OR ADDITIONAL LOSS OR DAMAGE WHETHER BEING DIRECT OR CONSEQUENTIAL, AS A RESULT OF ITS EQUIPMENT.

### **Warranty:**

*One year parts & labor (Continental USA and Canada).*

**Exceptions:** *Model "F14" - 90 days labor & One year parts.*

*The manufacturer reserves the rights to alter design and specifications without notice.*



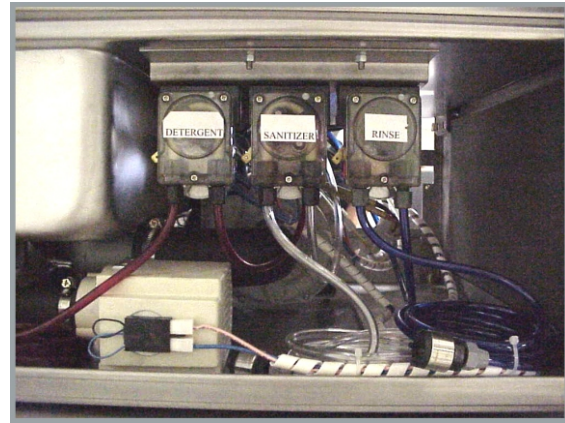
Sanitary inner "deep-drawn" wash tank

## Construction features

- Body, external housing, wash tank, and all chassis components in brushed stainless steel AISI 304 18/8
- Reduced operating noise of 58 DbA due to utilization of double-wall insulated panels
- Upper and lower wash and rinse jets on revolving arms constructed of fiberglass; easy to remove and clean without the need for tools
- Safety micro-switch on the door to interrupt wash pump action
- Individual and adjustable variable speed peristaltic pumps for: detergent, sanitizer and rinse-additive.
- Possibility of built-in or free standing installation
- Standard equipment includes insulated, stainless steel top & side panels
- Wash tank protected with double filters.
- Door opening with overall clearance of 14.25 in (36cm)
- Automatic fill and water level regulation tank
- Slide-out front control panel provides easy access for service.
- Overall dimensions: height: 33.5 in. (85 cm) Width 23.75 in. (60 cm) Depth: 23.75 in. (60 cm)

## JET TECH SYSTEMS CORP.

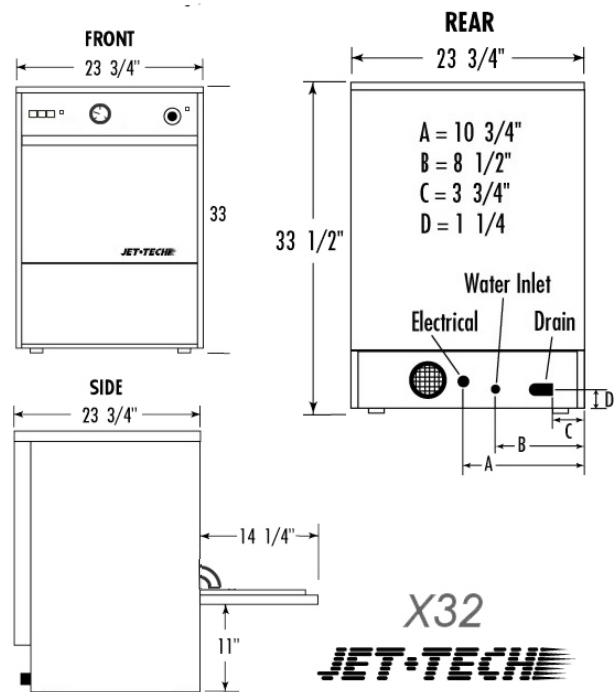
TEL: (514) 737 9701  
 FAX (514) 342 3854  
 1 888 275 4538  
 WWW.JET-TECH.COM  
 SALES@JET-TECH.COM



Independent Chemical Pumps

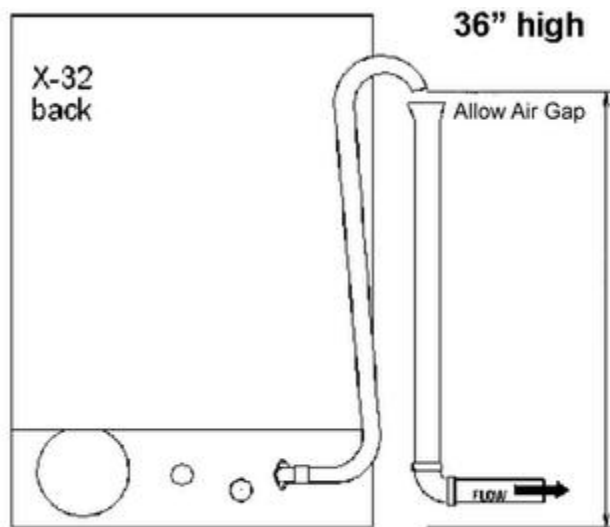
## Technical Features

- cm)
- Rack capacity: 19.75" x 19.75" (50 cm x 50 cm) (one open combination rack and on peg dish rack supplied)
- Complete cycle: 160 seconds (145 second Wash & 15 second Rinse)
- Wash tank capacity; 3.17 US gallon (12 liters)
- Wash temperature; 140F recommended, Supply dependant (no heaters)
- Power supply: 110 volts 60Hz 7 Amps
- Motor pump; 0.75 H.P. With Clipson at 320F (160C)
- Maximum Power rating; 550 Watts
- Water consumption per cycle; 1.5 U.S. Gallons (5.7 liters)
- working pressure; 25 P.S.I. (Dynamic)



## DRAIN

The X-32 is equipped with an automatic drain pump that will pump the drain water to a maximum height of 36" (0.9 meter). A 1" ID flexible drain hose is included to facilitate maintenance and servicing of the machine. It is important not to reduce the size of this hose. The drain should have a loop at the back of the dishwasher as per illustration below. The loop should be 36 inches (36") above the floor and drop down into a drain pipe with an air gap. These instructions must be followed for proper dishwasher operation. It is normal for some water to remain in the wash tank after draining.



## WATER INLET

A 3/4" NPT coupling is required with a maximum of 20 p.s.i. dynamic pressure, and a minimum of 18 p.s.i. . A water pressure regulator is required. The water pressure should be 20 p.s.i. Incoming water temperature must be 140° F ( 60° C). An easily accessible shut-off valve is recommended --- making installation, service and repairs easier.

Flexible hoses must be used to make installation, servicing and maintenance easier.

Make sure that the water is free from calcium and hard water deposits. Water with a mineral contain of 6 grains or higher must have an on-line water filtering system or some other type of water softening system. Build-up of calcium and lime deposits in the washer may occur and servicing will be required on a more frequent basis which will not be covered by the warranty.

## **ELECTRICAL**

Unit must be connected with a 110 volts 60Hz line. The terminal block will receive L1, N and Ground wire. Unit must be well grounded. Breaker rating should be 15 amps.

# Getting Started



Immediately upon receipt of your new X-32 dishwasher, inspect the dishwasher for any obvious signs of damage. If you do find any traces of damage, contact the transport company that brought the dishwasher to your place at once.

A damage claim must be made immediately with the carrier.

Please assure that the following items are included with your X-32 dishwasher.

- (1) 20 x 20 open rack
- (1) 20 x 20 peg rack for dishes
- 4 adjusting feet
- 1 operators manual

## Chemical hook-up

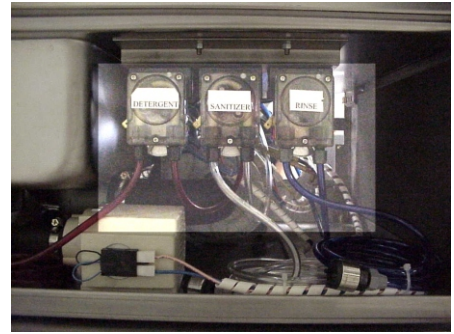
This unit is equipped with three (3) chemical pumps. Each will inject a different liquid product at a specific time during the wash cycle. The chemical pumps have sufficient length of tubing hose that can be inserted in gallon containers near the dishwasher.

The chemical pumps have colored tubing for ease of identification. The colors are as follow;

Red for Detergent

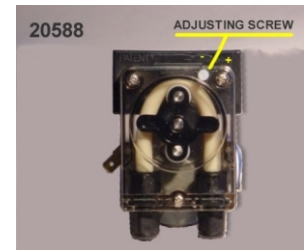
Clear for Sanitizer

Blue for Rinse-additive



To prime the pumps; you must complete two full wash cycles.

You can adjust the amount injected by turning the white screw on the chemical pump.



## Installation Check List

- Is the dishwasher connected electrically?
- Is the breaker turned on?
- Is there water connected to the dishwasher?
- Is the water valve opened?
- Are the chemicals properly set?

## Starting the dishwasher the first time

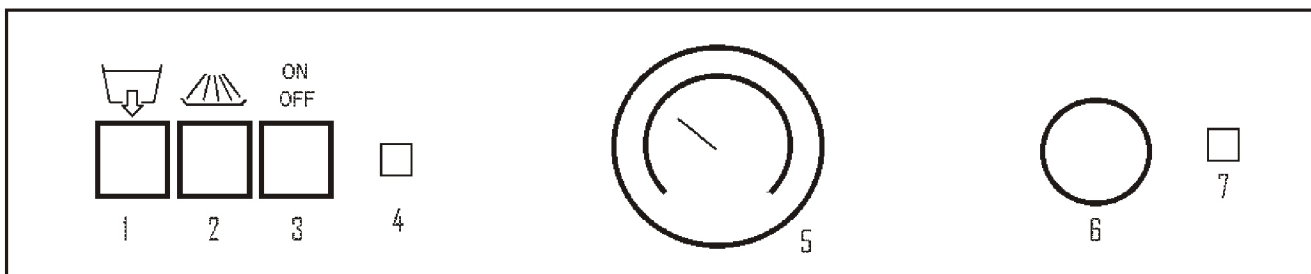
When starting the dishwasher for the first time, you will notice that the only chemical that gets drawn in is the detergent. The other chemicals will get drawn only during the wash cycle.

For more information go to Operation section.



# Operation

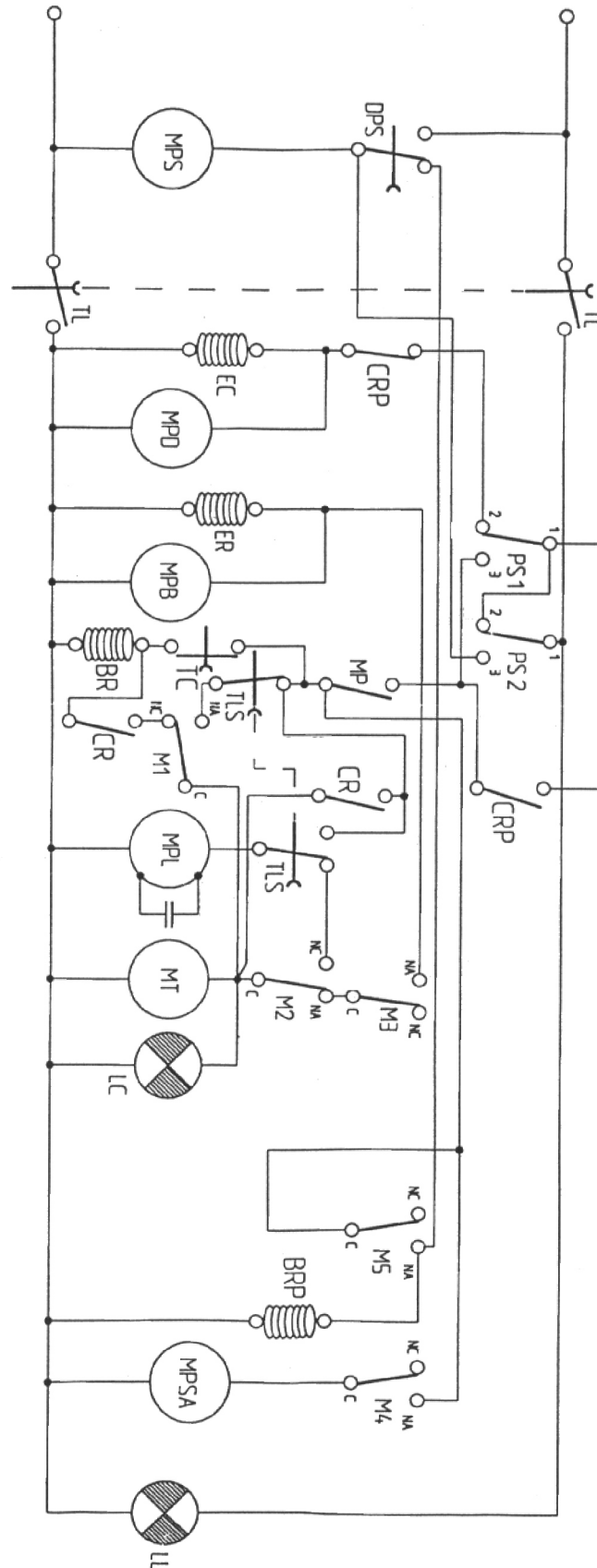
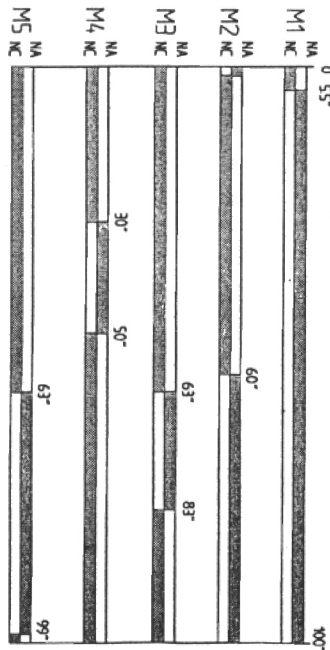
1. When you start the power (GREEN PUSH-BUTTON) **TL** the machine automatically starts to fill the water until the correct water level is reached. During the fill, the solenoid valve **EC** and the detergent dosing pump **MPD** are operating.
2. By pushing the (BLACK ROUND) push-button **TC**, the programmed washing cycle starts. The length of the times are shown in the schematic electrical diagram:
  - 2.1 From 0" to 30" the machine is washing and only the wash pump is operating.
  - 2.2 From 30" to 50" while the wash pump is working; also the sanitizer dosing pump **MPSA** is operating to fill the dishwasher with chemical sanitizer.
  - 2.3 From 50" to 60" the machine is washing and only the wash pump **MPL** is operating. The wash pump stops to operate when the timer has reached 60" of time.
  - 2.4 From 60" to 63" is the dripping time; and in this phase only the timer still works.
  - 2.5 From 63" to 83" the solenoid valve **ER** and the rinse chemical pump **MPB** are operating. **MPB** is delivering the right quantity of rinse aid product. The quantity can be pre-determined with the adjustment of the pump. At the same time , 63" to 83", the drain pump **MPS** is operating. At this time the cycle has ended and the drain pump only is operating from 83" to 99" ; and automatically the dishwasher is ready to start again.
3. The black (SQUARE) push-button has a double function:
  - . First function: to give the possibility to make a pre-wash or a continuous wash for as long as you want. - in pushing the black button the wash pump **MPL** works. To stop the wash pump you must have the black push-button in OFF position.
  - . Second function: is for de-lime. The operator must put the de-liming chemical product in the water in the wash tank of X-32 and then push the black button. When the de-lime push-button is in the ON position the wash pump **MPL** is working: **FOR NORMAL WASHING CYCLE THE PUSH-BUTTON FOR DE-LIME MUST BE IN THE OFF POSITION.** If during the wash cycle the de-lime button is pushed in, the wash cycle will stop and will only start again when the button is depressed, this from the position reached at the moment that the de-lime button has been pushed.
4. The white (SQUARE) push-button is for the total drain of the tank when the operator has finished the washing operations



- |                              |                                  |
|------------------------------|----------------------------------|
| 1 - Drain Button             | 5 - Thermometer gauge            |
| 2 - Extended / delime button | 6 - Wash cycle, Start button     |
| 3 - Power switch             | 7 - Indicator light (wash cycle) |
| 4 - Indicator light (power)  |                                  |

# Electrical Schematics

- DPS - Drain pump By-pass switch
- MPS - Drain Pump
- TL - Main Power switch
- PS1, PS2 - Pressure switches
- ER - Rinse solenoid valve
- EC - Fill solenoid valve
- MPD - Detergent pump
- MPB - Rinse additive pump
- MPSA - Sanitizer pump
- MP - Door switch
- TLS - Delimiting option switch
- CRP - Contact from relay
- MT - Timer motor
- M1, M2, M3, M4, M5 - Timer contact
- LC - Light, Timer cycle
- MPL - Wash pump
- BR - Relay coil
- TC - Start switch
- CR - Contactor relay switch
- LL - Light, Main power
- BRP - Relay coil



## Free Manuals Download Website

<http://myh66.com>

<http://usermanuals.us>

<http://www.somanuals.com>

<http://www.4manuals.cc>

<http://www.manual-lib.com>

<http://www.404manual.com>

<http://www.luxmanual.com>

<http://aubethermostatmanual.com>

Golf course search by state

<http://golfingnear.com>

Email search by domain

<http://emailbydomain.com>

Auto manuals search

<http://auto.somanuals.com>

TV manuals search

<http://tv.somanuals.com>