

CT315

45 NET HORSEPOWER



JOHN DEERE





Even less of a good thing.

Need a smaller track loader to deliver big-time performance? Choose a CT315. Lightweight and agile, yet surprisingly powerful, this highly capable compact is the perfect size for work in confined areas. Easy to transport between jobsites, too. Like its larger compact track loader siblings, it delivers best-in-class stability, breakout force, visibility, and wide-open service access. So you can get more done, more reliably, for less. Features such as direct-mounted planetary drives, easy-to-fill large-capacity fuel tank, and a self-cleaning, never-grease Quik-Tatch™ ensure it's as easy to maintain as it is to run. Plus, this little dynamo is highly versatile. Equip it with any of many Worksite Pro™ attachments, and watch productivity take off.



John Deere 2.4L diesel engine runs smooth and efficiently. Meets interim Tier 4 interim emission standards, too.

Best-in-class visibility allows clear sightlines to the bucket or attachment, edge of the tracks, and out back. For increased confidence and close-quarters agility.

Boom design delivers excellent reach through the “work zone.” Perfect for loading pickup trucks, placing pallets, or whatever.

CT315 is as inexpensive to own as it is to acquire. Daily and periodic maintenance is quick, convenient, and minimal.

Long-life undercarriage incorporates many of the same components as our larger CTLs. It’s simple, yet durable. Standard 12½-inch track provides plenty of productivity-enhancing balance, traction, and flotation.

Available JDLink Express™ delivers 24/7 anywhere access to your CT315’s engine hours and location, as well as geofencing, curfew, and maintenance-tracking capabilities.

CT315 specs:

45 net hp; 49 gross hp _____

4,412-lb. tipping load _____

1,500-lb. SAE rated operating capacity _____
(35% of tipping load)

2,178-lb. bucket breakout force _____

2,700-lb. boom breakout force _____

8,000-lbf tractive effort _____

Lightweight agility, heavyweight ability.

Whether you're tiptoeing around zero lot lines or laboring in close quarters, this nimble loader won't have any trouble fitting in. Its small stature enables the CT315 to slip comfortably through narrow openings and into tight spaces. Makes it easy to trailer and easy on turf, too. But this "lightweight" won't get pushed around. Optimal 60/40-weight distribution gives it the stability needed for handling heavy loads. Best-in-class pushing power and rated operating capacities deliver plenty of productive punch. And its high-torque turbocharged 2.4L diesel won't toss in the towel when the going gets tough, either.



Smooth-running turbocharged 2.4L John Deere diesel delivers power without compromise. Packs plenty of torque reserve, too, for daylong stamina and strength.

Unlike other comparable-size CTLs, the CT315's heavy-duty planetary reduction final drive provides plenty of pushing power.



1. Forty-degree dump angle enables buckets to empty completely, shedding even sticky material. Exclusive cushioned bucket and lift cylinders reduce spillage.
2. Boom design keeps the load close to the machine, close to the ground. Thirty degrees of bucket rollback helps ensure that the load arrives at its intended destination.
3. Just over 60 inches wide, the small-but-mighty CT315 excels at close-quarters work.
4. Optimal weight distribution and low center of gravity provide superior stability on slopes.

Compact machine, super-sized comfort.

Who says compacts can't be comfortable? Slip-resistant steps, convenient grab bars, and wide-open entryway make it easy to settle into the adjustable high-back sculpted seat. Low-effort controls are intuitive and responsive. Overhead, the electronic monitor is easy to observe and operate. Industry-leading 360-degree visibility provides a commanding view of the surroundings for confident operation. And numerous safety features like the in-cab-activated boom lock help keep the operator out of harm's way.

Comfortable high-back seat has a vinyl cover that sheds water. For year-round comfort add an optional cab with highly efficient heater and defroster.

Three-roller track frames and steel-imbedded tracks deliver solid stability and a comfortable ride. Double-flange front idlers and first rollers move in tandem for exceptional smoothness.

Triple-interlock operator-presence system automatically applies the brakes when the seat belt is unlatched, the operator leaves the seat, or the engine is shut down.

Available digital-coded antitheft security system includes automatic end-of-day activation.

Steering controls are smooth, responsive, and deliver precise low-effort control that won't overreact to a bump in the road — or a first-time operator's unfamiliar touch.

Clear sightlines of the cutting edge and bucket corners, above and below the lift arms, and the jobsite behind you add up to best-in-class visibility. It's a commanding view you have to sit in the seat to appreciate, so ask for a demo.

Convenient 12-volt port powers cell phones, iPod®, and other carry-ons. Interior dome light and cup holder are also standard.



Overhead console houses an easy-to-read diagnostic monitor. Large backlit gauges and LED warning lights display vital operating info at a glance. Glove-friendly rocker switches operate numerous functions.



Busybody.

With its go-everywhere rubber track undercarriage, universal Quik-Tatch™, and auxiliary hydraulics, the CT315 is fully equipped to tackle a seemingly endless variety of tasks. So get to your John Deere skid steer dealer and ask about his ever-expanding lineup of Worksite Pro™ attachments. From augers to vibratory rollers, he has the attachments you need to handle nearly everybody's business.

Available attachments:

- Auger
- Backhoe
- Brooms (angle/pickup)
- Buckets (foundry, rock, multipurpose, utility, tooth bar)
- Grapples (scrap, utility)
- Pallet forks (rail)
- Power rakes
- Roller level
- Snow/utility blades
- Trenchers
- Vibratory rollers



1. Impressive tipping load and rated operating capacity let you move a wide variety of materials. Choose from heavy-duty and rail-style forks.

3. Prepping a site for sod or seeding? Attach a Worksite Pro power rake and expect exceptional results.

2. Rock bucket is an invaluable clean-up tool for sifting rocks from soil and removing construction debris from jobsites.

4. Heavy-duty planetary-drive augers make quick work of punching holes in the ground for trees, signposts, and fences. Choose from a variety of bit styles and diameters.

Roller level's front and rear cutting edges make quick work of tough site-prep and grading tasks. Front position provides unsurpassed visibility and control for contouring, grading, and smoothing flat or significantly sloped terrain.

Self-cleaning universal Quik-Tatch accommodates John Deere Worksite Pro and numerous other brands of attachments. With optional electric-actuated version, swapping attachments from the seat is pushbutton easy.

Auxiliary hydraulics with convenient flat-face quick-couplers provide the fluid power needed to drive a wide variety of attachments.

Worksite Pro attachments are optimized to work on our 300-Series Compact Track Loaders and Skid Steers, and are compatible with many competitive models.

Nothing lasts like this Deere.

Don't let its small size fool you. Incorporating many of the same durability features found in our larger CTLs, the CT315 is as tough as any. Advantages such as sealed electrical connectors, O-ring face-seal hydraulic fittings, large cooler, and extended service intervals keep uptime up. Plus, a standard automatic shutdown system prevents overheating or low fluids from ruining more than just your day. When you know how they're built, you'll run a Deere.

Drive motors are heavy-duty, and hoses are shielded for extra protection. Direct-mounted planetary final drives utilize larger-than-usual bearings for one-of-a-kind durability.

All-steel rollers, idlers, and sprockets are similar to those used on our larger CTLs. Metal-face seals and journal bearings further increase their longevity.

O-ring face-seal hydraulic fittings virtually eliminate aggravating and costly oil leaks.

Wet-disc park brakes are fully enclosed and never require adjustment.

Precision-joint connecting rods and rolled fillet crankshaft give the John Deere PowerTech™ diesel plenty of stamina and strength.

Automatic shutdown system monitors engine oil pressure, coolant, and hydraulic oil temperature. When limits are exceeded, the system issues an audible warning and, if necessary, shuts down the machine to protect the drivetrain.



1. Durable steel-reinforced rubber tracks last significantly longer than most. Wide-open undercarriage design sheds debris and resists packing for reduced track wear and quicker clean-out.
2. Heavy-duty cross-section boom-arm design delivers long-term durability and strength.
3. Large coolers provide increased heat rejection for superior performance in severe, high-load conditions.
4. Rocker switches and electrical connectors are sealed to keep out moisture and dirt for increased durability.





Simply remove two nuts and tilt. Wide-open service access to major components takes less than two minutes.

Industry-exclusive in-cab-activated boom lock lets the operator secure the loader arms in an upright position before leaving the seat.

Because no maintenance beats low maintenance, the engine's serpentine belt and hydraulic valve lifters never require adjustment.

500-hour engine oil, 3-micron hydraulic, and 5-micron fuel filters provide extra protection.

Swing open the rear door and tilt up the hood for convenient, ground-level access to the engine, filters, starter, and maintenance-free battery.

Unlike other CTLs that require complicated daily adjustments with special tools, track tension is checked weekly or every 50 hours. If adjustment is needed, all that's required is a grease gun and wrench.

Tightwad.

Tight spaces aren't the only places this highly capable compact excels. It's tightfisted with your dollars, too. Everything about it has been designed to keep maintenance simple and daily operating costs low. A swing-out rear door provides wide-open, ground-level access to cooling system components and daily service checkpoints. Refueling and other fluid additions are convenient and quick. Track tension adjusts simply, and the easy-to-clean undercarriage is just that. When necessary, the ROPS can be tilted in less than two minutes, providing best-in-class, wide-open access to major components. Parts and service are just as easily accessible at more than 1,200 John Deere locations coast to coast.



1



2



3



4



5



6

1. Low in-frame filler neck allows fast and easy refueling, even with heavy fuel containers. Generous tank capacity allows daylong operation.

2. Rear-door-mounted oil cooler swings out and away from the radiator for easy core clean-out.

3. Engine oil dipstick and nearby filler neck are easily accessible for fast and easy checks and additions.

4. Sight gauge and see-through reservoirs let you check hydraulic oil, fuel, and windshield washer fluid levels at a glance.

5. Bolt-on access panels simplify foot-well clean-out. No jacks are necessary.

6. Spin-on filters and environmental drains allow quick, no-mess fluid changes.

Specifications

Engine	CT315
Manufacturer and Model	John Deere PowerTech™ 4024T
Non-Road Emission Standards	Certified to EPA Interim Tier 4 emissions
Cylinders	4
Net Horsepower	45 net hp (33.5 kW)
Gross Horsepower	49 gross hp (36.5 kW)
Displacement	149 cu. in. (2.4 L)
Rated Engine Speed	2,400 rpm
Gross Peak Torque	139 lb.-ft. (188 Nm)
Torque Rise	32%
Aspiration	Turbocharged
Air Cleaner	Dry dual element
Cooling	
Fan Type	Auto-tensioned serpentine belt drive
Engine Coolant Rating	-34 deg. F (-37 deg. C)
Powertrain	
High-drive planetary-reduction gearbox	
Pump	Axial piston hydrostatic
Controls	Manual
Travel Speed (single speed, standard)	6.0 mph (9.7 km/h)
System High-Pressure Relief	5,000 psi (34 474 kPa)
Brake	Integral, automatic, spring applied, hydraulically released, wet disc
Undercarriage	
Rubber Tracks	New-generation smooth-ride long-life rubber tracks with steel inserts
Standard Track Width	12.6 in. (320 mm)
Ground Pressure (standard 12.6-in. [320 mm] track)	4.8 psi (33 kPa)
Track Rollers (per side)	3 triple-flange smooth-ride all-steel rollers
Track Idlers (per side)	Double-flange front, single-flange rear
Bearings/Seals (rollers/idlers)	Heavy-duty journal bearings and metal face seals
Tractive Effort	8,000 lbf (3629 kgf)
Hydraulics	
Standard Pump Flow	16 gpm (61 L/m)
System Pressure at Couplers	3,450 psi (23 787 kPa)
Hydraulic Horsepower (standard flow [calculated])	35 hp (26.1 kW)
Cylinders	
	John Deere heat-treated, chrome-plated, polished cylinder rods; hardened steel (replaceable bushings) pivot pins
Electrical	
Voltage	12 volt
Battery Capacity	750 CCA (optional 925 CCA)
Alternator Rating	70 amp
Lights	Halogen, 2 front and 1 rear
Operator's Station	
	ROPS (ISO3471)/FOPS (ISO3449) structure with quick pivot standard

Serviceability**CT315**

In-cab boom lock secures loader before exiting operator seat; operator's station pivots for service access in minutes; serpentine belt and hydraulic valve lifters never require adjustment; rear-door-mounted oil cooler for easy radiator and cooler clean-out; cooling system swing-out hydraulic oil cooler

Diagnostics

Computerized in-cab monitor information

Refill Capacities

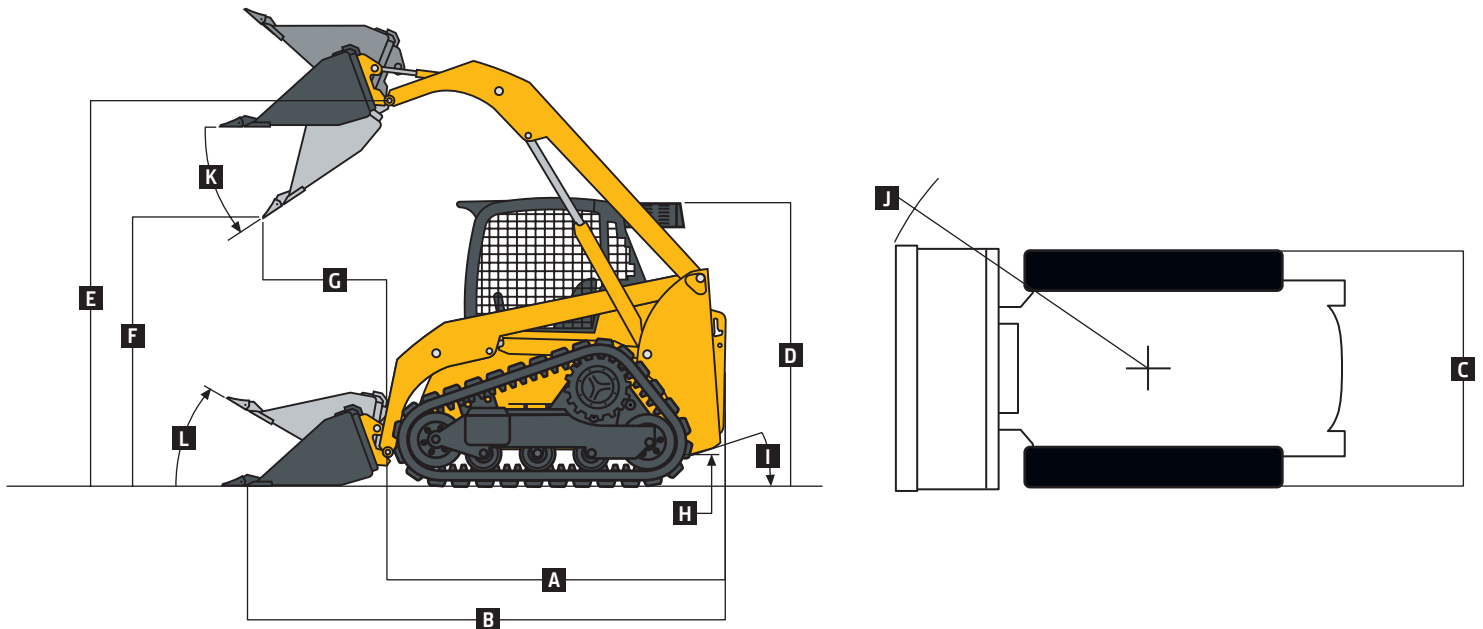
Fuel Tank	17.5 gal. (66 L)
Cooling System	7 qt. (6.2 L)
Engine Oil with Filter	9.5 qt. (9 L)
Hydraulic Tank	5 gal. (19 L)

Operating Weights

Base Machine	6,800 lb. (3087 kg)
--------------	---------------------

Dimensions

A Length without Bucket	8 ft. 0 in. (2.44 m)
B Length with Bucket (66-in. [1676 mm] foundry)	10 ft. 4 in. (3.17 m)
C Width without Bucket (12.6-in. [320 mm] track)	5 ft. 1 in. (1.54 m)
D Height to Top of ROPS	6 ft. 5 in. (1.96 m)
E Height to Hinge Pin	9 ft. 2 in. (2.78 m)
F Dump Height	7 ft. 7 in. (2.31 m)
G Dump Reach	
Heavy-Duty Foundry Bucket	17.4 in. (442 mm)
Heavy-Duty Construction Bucket	23 in. (577 mm)
H Ground Clearance	7.8 in. (198 mm)
I Angle of Departure	25.25 deg.
J Front Turn Radius	6 ft. 7 in. (2.00 m)
K Dump Angle (full lift height)	40 deg.
L Bucket Rollback (ground level)	30 deg.
Tipping Load	4,412 lb. (2003 kg)
SAE Rated Operating Capacity (foundry bucket)	
@ 35% of Tipping Load	1,500 lb. (681 kg)
@ 50% of Tipping Load	2,206 lb. (1002 kg)
Boom Breakout	2,700 lb. (1226 kg)
Bucket Breakout Force	
Foundry Bucket	3,300 lb. (1498 kg)
Dirt Bucket	2,178 lb. (989 kg)



Additional equipment

Key: ● Standard ▲ Optional or special See your John Deere dealer for further information.

CT315 Engine
● Certified to EPA Interim Tier 4 emissions
● John Deere 250 Series PowerTech™ turbocharged 4-cylinder engine
● Automatic fan-belt tensioner
● Automatic preheat
● John Deere COOL-GARD® Extended-Life Engine Coolant
● John Deere Plus-50® 10w30 initial engine oil fill*
● 5-micron primary fuel filter and water separator
▲ Block heater
Cooling System
● Coolant recovery tank
● Heavy-duty CTL cooling system
● Easy-clean swing-out heavy-duty CTL hydraulic oil cooler
Powertrain
● High-torque heavy-duty planetary reduction final drive
● Automatic spring-applied hydraulically released wet-disc park brakes
Hydraulic System
● John Deere hydraulic cylinders with cushioned boom and bucket cylinders
● Quick-check hydraulic fluid level sight glass
● 3-micron hydraulic filter
Electrical
● Automatic shutdown with alarm
● Auxiliary hydraulics operator-presence system
● Battery, 750 CCA
● Deluxe instrumentation EMU with: Operator-selectable monitoring – Hour meter, engine rpm, battery voltage, diagnostics, EMU configuration, engine coolant temperature, hydraulic oil temperature / LED warning indicators – Glow plug, seat switch, seat belt, door open, auxiliary hydraulics, park brake engaged, stop, low engine oil pressure, engine coolant over-temperature, battery not charging, air filter restriction, and hydraulic filter restriction
● Front and rear halogen work lights
● Triple-interlock operator-presence control system
▲ Antitheft system
▲ Backup alarm
▲ Dual flashers
▲ Handle kit, 8-button
▲ Horn
▲ Warning beacon kit

CT315 Operator's Station
● 12-volt power port
● Adjustable armrests
● Adjustable foot pedals
● Beverage/cup holder
● Cell-phone storage/cargo netting
● Grab handles (2)
● Headliner
● Quick-pivot ROPS
● Rear window
● ROPS/FOPS operator structure
● Seat belt, 2-in., with auto recoil
▲ Seat belt, 3-in.
▲ Shoulder belt
● Seat, water-shedding deluxe vinyl
▲ Seat, water-shedding vinyl suspension
▲ Acoustical noise-suppression package
▲ Cab enclosure
▲ Demolition door
● Floor cover plates
● Foot controls
▲ Hands-only controls
▲ Heater/defroster
● Interior dome light
▲ Rearview mirror kit
▲ Top window
▲ Side window kit
▲ Vinyl cab enclosure kit
Loader
● Integral cab boom lock
● Patented greaseless John Deere Quik-Tatch™
▲ Power Quik-Tatch
● John Deere radial-lift boom for superior visibility
▲ Hydraulic self-leveling
Other
● Convenient front and rear tie-downs
● Environmental drains for all fluid reservoirs
▲ Single-point lift kit
▲ SMV sign kit
● Track, 12.6-in. (320 mm) wide

*500-hour engine oil-change intervals when John Deere Plus-50 oil and John Deere oil filter are used.

Control Owning and Operating Costs

Customer Personal Service (CPS) is part of our proactive, fix-before-fail strategy on machine maintenance that will help control costs, increase profits, and reduce stress. Included in this comprehensive lineup of ongoing programs and services are:

Customer Support Advisors (CSAs) lend a personal touch to Customer Personal Service (CPS). Certified CSAs have the knowledge and skills for helping make important decisions on machine maintenance and repair. Their mission is to help you implement a plan that's right for your business and take the burden of machine maintenance off your shoulders.

Fluid analysis program tells you what's going on inside all of your machine's major components so you'll know if there's a problem before you see a decline in performance. Fluid analysis is included in most extended coverage and preventive-maintenance agreements.

Preventive Maintenance (PM) agreements give you a fixed cost for maintaining a machine for a given period of time. They also help you avoid downtime by ensuring that critical maintenance work gets done right and on schedule. On-site preventive maintenance service performed where and when you need it helps protect you from the expense of catastrophic failures and lets you avoid waste-disposal hassles.

Extended warranty coverage gives you a fixed cost for machine repairs for a given period of time so you can effectively manage expenses. Whether you work in a severe-service setting, or you just want to spread the risk of doing business, this is a great way to custom-fit coverage to your operation. An extended coverage contract travels well because it's backed by John Deere and honored at all John Deere Commercial Worksite Products dealers. What's more, extended coverage is fully transferable at no extra charge, so it adds value at trade-in.



Net engine power is with standard equipment including air cleaner, exhaust system, alternator, and cooling fan at test conditions per ISO9249. Gross power is without cooling fan. Specifications and design subject to change without notice. Wherever applicable, specifications are in accordance with SAE and ISO standards. Except where otherwise noted, these specifications are based on a unit with standard 12.6-in. (320 mm) tracks, full fuel tank, and 175-lb. (79 kg) operator.

www.JohnDeere.com

Free Manuals Download Website

<http://myh66.com>

<http://usermanuals.us>

<http://www.somanuals.com>

<http://www.4manuals.cc>

<http://www.manual-lib.com>

<http://www.404manual.com>

<http://www.luxmanual.com>

<http://aubethermostatmanual.com>

Golf course search by state

<http://golfingnear.com>

Email search by domain

<http://emailbydomain.com>

Auto manuals search

<http://auto.somanuals.com>

TV manuals search

<http://tv.somanuals.com>