

AC-100LP SPACE HEATER



JOHN DEERE

**OPERATOR'S
MANUAL**



Introduction

THANK YOU for purchasing a John Deere product.

READ THIS MANUAL carefully to learn how to operate and service your machine correctly. Failure to do so could result in personal injury or equipment damage. This manual and safety signs on your machine may also be available in other languages. (See your John Deere dealer to order.)

THIS MANUAL SHOULD BE CONSIDERED a permanent part of your machine and should remain with the machine when you sell it.

MEASUREMENTS in this manual are given in both metric and customary U.S. unit equivalents. Use only correct replacement parts and fasteners. Metric and inch fasteners may require a specific metric or inch wrench.



GENERAL HAZARD WARNING:
FAILURE TO COMPLY WITH THE PRECAUTIONS AND INSTRUCTIONS PROVIDED WITH THIS HEATER, CAN RESULT IN DEATH, SERIOUS BODILY INJURY AND PROPERTY LOSS OR DAMAGE FROM HAZARDS OF FIRE, EXPOSITION, BURN, ASPHYXIATION, AND/OR CARBON MONOXIDE POISONING.

ONLY PERSONS WHO CAN UNDERSTAND AND FOLLOW THE INSTRUCTIONS SHOULD USE OR SERVICE THIS HEATER.
IF YOU NEED ASSISTANCE OR HEATER INFORMATION SUCH AS AN INSTRUCTIONS MANUAL, LABELS, ETC. CONTACT THE MANUFACTURER.



WARNING: FIRE, BURN, INHALATION AND EXPLOSION HAZARD. KEEP SOLID COMBUSTIBLES, SUCH AS BUILDING MATERIALS, PAPER OR CARDBOARD, A SAFE DISTANCE AWAY FROM THE HEATER AS RECOMMENDED BY THE INSTRUCTIONS NEVER USE THE HEATER IN SPACES WHICH DO OR MAY CONTAIN VOLATILE OR AIRBORNE COMBUSTIBLES OR PRODUCTS SUCH AS GASOLINE, SOLVENTS, PAINT THINNER, DUST PARTICLES OR UNKNOWN CHEMICALS.



WARNING: NOT FOR HOME OR RECREATIONAL VEHICLE USE.

The SERIAL NUMBER is located in the Specification or Identification Numbers section. Accurately record all the numbers to help in tracing the machine should it be stolen. Your dealer also needs these numbers when you order parts. File the identification numbers in a secure place off the machine.

WARRANTY is provided from your John Deere dealer for customers who operate and maintain their equipment as described in this manual. The warranty is explained on the warranty certificate shown in this manual.

This warranty provides you the assurance that your dealer will back products where defects appear within the warranty period. Should the equipment be abused, or modified to change its performance beyond the original factory specifications, the warranty will become void.

The heater is designed for use as a construction heater in accordance with ANSI Z83.7/CGA 2.14. Other standards govern the use of fuel gases and heating products for specific uses. Your local authority can advise you about these. The primary purpose of construction heaters is to provide temporary heating of buildings under construction, alteration or repair. Properly used, the heater provides safe economical heating. Products of combustion are vented into the area being heated.

We cannot foresee every use which may be made of our heaters. **Check with your local fire safety authority if you have questions about heater use.**

Other standards govern the use of fuel gases and heat producing products for specific uses. Your local authorities can advise you about these.

Propane gas is odorless. An odor-making agent is added to propane gas. The odor helps you detect a propane gas leak. However, the odor added to propane gas can fade. Propane gas may be present even though no odor exists.

Install and use heater with care. Follow all local ordinances and codes. In the absence of local ordinances and codes, refer to the *Standard for Storage and Handling of Liquefied Petroleum Gas, ANSI/NFPA 58* and the *Propane Installation Code, CAN/CGA B149.2*. This instructs on the safe storage and handling of propane gases.



WARNING

This product contains and/or generates chemicals known to the State of California to cause cancer or birth defects, or other reproductive harm.

Contents

	Page
Safety	4
Controls	9
Preparation	10
Installation	12
Operation	12
Troubleshooting	14
Service	16
Storage	19
Specifications	20
Wire Diagram.....	21
Warranty	22
Notes	23

All information, illustrations and specifications in this manual are based on the latest information available at the time of publication. The right is reserved to make changes at any time without notice.

Safety

RECOGNIZE SAFETY INFORMATION

This is the safety alert symbol. When you see this symbol on your machine or in this manual, be alert to the potential for personal injury.

Follow recommended precautions and safe operating practices.



UNDERSTAND SIGNAL WORDS

A signal word--DANGER, WARNING or CAUTION--is used with the safety-alert symbol. DANGER identifies the most serious hazards.

DANGER or WARNING safety signs are located near specific hazards. General precautions are listed on CAUTION safety signs. CAUTION also calls attention to safety messages in this manual.

 **DANGER**

 **WARNING**

 **CAUTION**

FOLLOW SAFETY INSTRUCTIONS

Carefully read all safety messages in this manual and on your machine safety signs. Keep safety signs in good condition. Replace missing or damaged safety signs. Be sure new equipment components and repair parts include the current safety signs. Replacement safety signs are available from your John Deere dealer.

Read this owner's manual carefully and completely before trying to assemble, operate, or service this space heater. Improper use of this space heater can cause serious injury or death from burns, fire, explosion, electrical shock, and carbon monoxide poisoning.

Make certain you read and understand all warnings. Keep this manual for reference. It is your guide to safe and proper operation of this space heater.

If you do not understand any part of this manual and need assistance, contact your John Deere dealer.





CARBON MONOXIDE - POISONOUS GAS



DANGER: CARBON MONOXIDE POISONING MAY LEAD TO DEATH!

Space heaters exhaust contains carbon monoxide - a poisonous gas that can kill you. You CAN NOT smell or see this gas.

Carbon Monoxide Poisoning: Early signs of carbon monoxide poisoning resemble the flu, with headaches, dizziness, and/or nausea. If you have these signs, the space heater may not be working properly. Get fresh air at once! Have space heater serviced. Some people are more affected by carbon monoxide than others. These include pregnant women, persons with heart or lung disease or anemia, those under the influence of alcohol, and those at high altitudes.

Never use a space heater in enclosed or partially-enclosed spaces without proper ventilation. Use only in well-vented areas. Before using space heater, provide at least a three-square-foot (2800 square cm) opening of fresh, outside air for each 100,000 Btu / Hr (30 kw) of rating. Space heaters can produce high levels of carbon monoxide very quickly. When you use a space heater, remember that you cannot smell or see carbon monoxide. Even if you can't smell exhaust fumes, you may still be exposed to carbon monoxide.

If you start to feel sick, dizzy, or weak while using a space heater, get to fresh air **RIGHT AWAY**. **DO NOT DELAY**. The carbon monoxide from space heaters can rapidly lead to full incapacitation and death.

If you experience serious symptoms, get medical attention immediately. Inform medical staff that carbon monoxide poisoning is suspected. If you experienced symptoms while indoors, have someone call the fire department to determine when it is safe to re-enter the building.

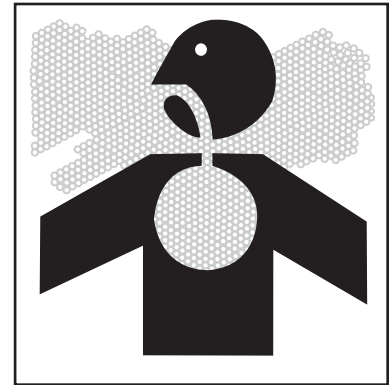
NEVER operate the space heater in an explosive atmosphere, near combustible materials or where ventilation is not sufficient to carry away exhaust fumes. **Exhaust fumes can cause serious injury or death.**

NEVER run space heaters inside homes, garages, sheds, or other semi-enclosed spaces without proper ventilation. These spaces can trap poisonous gases **EVEN IF** you run a fan or open doors and windows. Use only in well-vented areas. Before using space heater, provide at least a three-square-foot (2800 square cm) opening of fresh, outside air for each 100,000 Btu / Hr (30 kw) of rating.

If you start to feel sick, dizzy, or weak while using the space heater, shut it off and get fresh air **RIGHT AWAY**. See a doctor. You may have carbon monoxide poisoning.

Install battery-operated carbon monoxide alarms or plug-in carbon monoxide alarms with battery back-up in your home, according to the manufacturer's installation instructions. The carbon monoxide alarms should be certified to the requirements of the latest safety standards for carbon monoxide alarms. (UL 2034, IAS 6-96, or CSA 6.19.01).

Test your carbon monoxide alarm frequently and replace dead batteries.





ELECTRICAL HAZARDS

! DANGER- IMPROPER CONNECTION OF THE EQUIPMENT- GROUNDING CONDUCTOR CAN RESULT IN A RISK OF ELECTROCUTION. CHECK WITH A QUALIFIED ELECTRICIAN OR SERVICE PERSON IF YOU ARE IN DOUBT AS TO WHETHER THE UNIT IS PROPERLY GROUNDED.

Use only the electrical voltage and frequency specified on model plate. The electrical connections and grounding of the heater shall follow the *National Electric Code, ANSI/NFPA 70* or the *Canadian Electrical Code, Part 1*.

Space heater must be grounded. Use only a properly grounded three-wire extension cord. Plug into grounded outlet only. If it should malfunction or breakdown, grounding provides a path of least resistance for electric current to reduce the risk of electric shock.

The space heater is a potential source of electrical shock if not kept dry. Keep the space heater dry and do not use in rain or wet conditions. To protect from moisture, operate it on a dry surface under an open, canopy-like structure. Dry your hands if wet before touching the space heater.

Check that the entire cord is free of cuts or tears and that the plug has all three prongs, especially a grounding pin.



IMPORTANT SAFETY INSTRUCTIONS

Make certain you read and understand all warnings. Keep this manual for reference. It is your guide to safe and proper operation of this heater.

1. Use only in areas free of flammable vapors or high dust content.
2. Minimum heater clearances from combustible materials: Outlet: 8 Ft. (2.44 m), Sides: 2 Ft. (60.96 cm), Top: 6 Ft. (1.83 m), Rear: 2 Ft. (60.96 cm)
3. Locate space heater on a stable and level surface while hot or operating or a fire may occur.
4. Use only in well-vented areas. Before using space heater, provide at least a three-square-foot (2800 square cm) opening of fresh, outside air for each 100,000 Btu / Hr (30 kw) of rating.
5. Keep children and animals away from space heater at all times.
6. Use space heater only in accordance with local ordinances and codes.
7. Keep space heater area clear and free from combustible materials, gasoline, paint thinner and other flammable vapors and liquids.
8. Never use space heater in living or sleeping areas.
9. Never leave a space heater plugged in without adult supervision if children or animals are likely to be present. Do not leave heater unattended.
10. Never move, handle or service a hot or operating heater. Severe burns may result. You must wait 15 minutes after turning heater off.





IMPORTANT SAFETY INSTRUCTIONS

11. Never attach duct work to front or rear of space heater.
12. Space heaters used in the vicinity of tarpaulins, canvas, or similar enclosure materials shall be located a safe distance from such materials. The recommended minimum safe distance is 10 feet (304.8cm). It is further recommended that these enclosure materials be of a fire retardant nature. These enclosure materials shall be securely fastened to prevent them from igniting or from upsetting the space heater due to wind action.
13. Unplug space heater when not in use.
14. Never block air inlet (rear) or air outlet (front) of space heater.
15. This product has been approved for use in the Commonwealth of Massachusetts.
16. Use only the hose and factory preset regulator provided with the heater.
17. Use only Propane / L.P. gas set up for vapor withdrawal.
18. For indoor use only. Do not use heater outdoors.
19. Do not use heater in basement or below ground level. Propane / L.P. gas is heavier than air. If a leak occurs, Propane / L.P. gas will sink to the lowest possible level.
20. Keep heater at least six feet from Propane / L.P. tank(s). Do not point heater at Propane / L.P. tank(s) within 20 feet.
21. Keep Propane / L.P. tank(s) below 100° F (37.8° C).
22. Check heater for damage before each use. Do not use a damaged heater.
23. Check hose before each use of heater. If highly worn or cut, replace with hose specified by manufacturer before using heater.
24. Keep heater away from strong drafts, wind, water spray, rain or dripping water.
25. To prevent injury, wear gloves when handling heater.
26. Do not alter heater. Keep heater in its original state.
27. Do not use heater if altered.
28. Turn off propane supply to heater when not in use.
29. Use only original replacement parts. This heater must use design-specific parts. Do not substitute or use generic parts. Improper replacement parts could cause serious or fatal injuries.



SAVE THESE INSTRUCTIONS



WEAR PROTECTIVE CLOTHING

Wear close fitting clothing and safety equipment appropriate to the job.

Wear a suitable hearing protective device such as earmuffs or earplugs to protect against objectionable or uncomfortable loud noises.

Operating equipment safely requires the full attention of the operator. Do not wear radio or music headphones while operating machine.

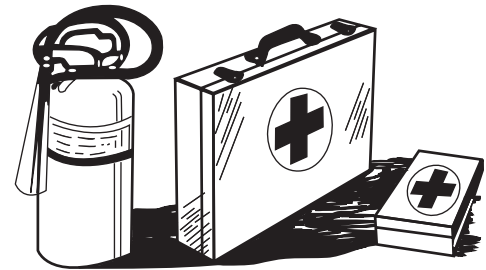


PREPARE FOR EMERGENCIES

Keep a first aid kit and fire extinguisher handy.

Keep emergency numbers for doctors, ambulance service, hospital and fire department near your telephone.

Be prepared if a fire starts.



INSPECT SPACE HEATER

Be sure all covers, guards and shields are tight and in place.

Locate all operating controls and safety labels. Inspect power cord for damage before using. There is a hazard of electrical shock from crushing, cutting or heat damage.

Remove all packing items applied to space heater for shipment. Remove all items from carton. Check items for any shipping damage. If space heater is damaged, promptly inform dealer where you bought space heater.

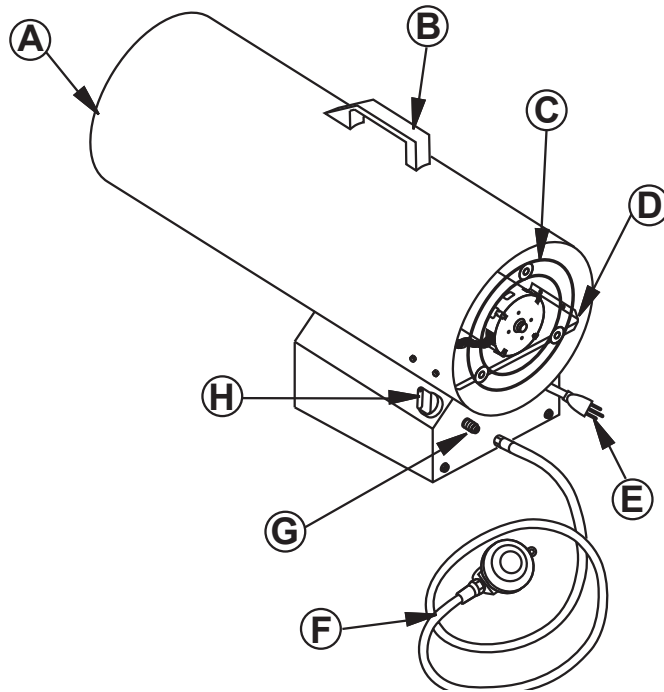
SERVICE SPACE HEATER SAFELY

Before servicing the space heater, shut off unit and allow unit to cool down.

Service space heater in a clean dry flat area.

Controls

CONTROLS AC-100LP



A -- Hot Air Outlet (Front)
B -- Handle
C -- Fan Guard

D -- Motor Mount
E -- Power Cord
F -- Hose / Regulator Assembly

G -- Inlet Connector
H -- Control Knob

Preparation

VENTILATION

⚠ WARNING: FOLLOW THE MINIMUM FRESH, OUTSIDE AIR VENTILATION REQUIREMENTS. IF PROPER FRESH, OUTSIDE AIR VENTILATION IS NOT PROVIDED, CARBON MONOXIDE POISONING CAN OCCUR. PROVIDE PROPER FRESH, OUTSIDE AIR VENTILATION BEFORE RUNNING HEATER.

Provide a fresh air opening of at least three square feet for each 100,000 Btu/Hr rating. Provide extra fresh air if more heaters are being used.

PROPANE SUPPLY

Propane / L.P. gas and Propane / L.P. tank(s) are to be furnished by the user.

Use this heater only with a propane vapor withdrawal supply system. See Chapter 5 of the *Standard for Storage and Handling of Liquefied Petroleum Gas, ANSI/NFPA 58* and the *Propane Installation Code CAN/CGA B149.2*. Your local library or fire department will have this booklet.

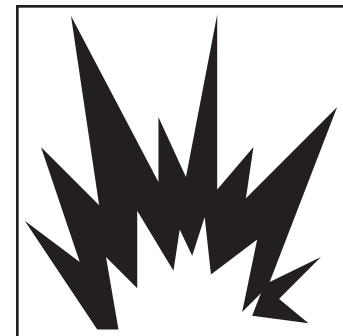
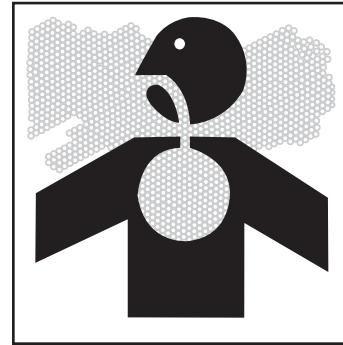
The amount of Propane / L.P. gas ready for use from Propane / L.P. tanks varies. Two factors decide this amount:

1. The amount of Propane / L.P. gas in tank(s)
2. The temperature of tank(s)

The chart below shows the number of 100 pound (45 kg) tanks needed to run this heater. Smaller tanks can be used for limited run times but it is recommended to use larger tanks for optimum performance.

Temperature at Tank	# of 100 lbs. Tanks
32°F (0°C) to 20°F (-6.7°C)	2
20°F (-6.7°C) to -10°F (-23.3°C)	3
Below -10°F (-23.3°C)	(Use larger tank)

Less gas is vaporized at lower temperatures. You may need two or more 100 pound (45 kg) tanks or one larger tank in colder weather. Your local Propane / L.P. gas dealer will help you select the proper supply system. The minimum surrounding air temperature rating for each heater is -20° F (-29° C).



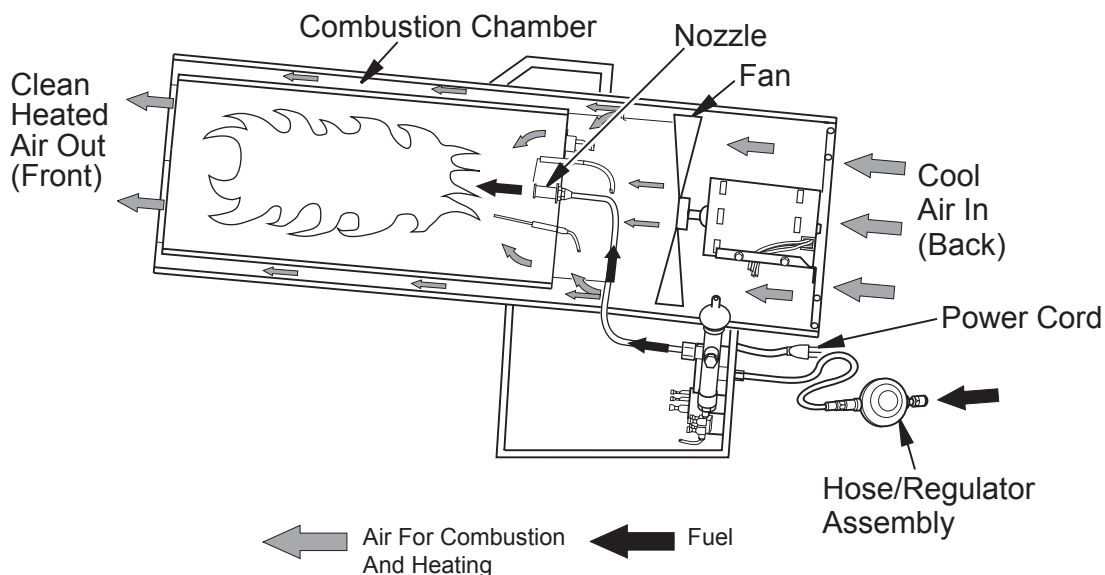
THEORY OF OPERATION

The Fuel System: The hose / regulator assembly attaches to the Propane / L.P. gas supply. The Propane / L.P. gas moves through the automatic control valve and out the nozzle.

The Air System: The motor turns the fan. The fan pushes air into and around the combustion chamber. This air is heated and provides a stream of clean, hot air.

The Ignition System: The spark transformer and ignitor lights the main burner.

The Safety Control System: This system causes the heater to shut down if the flame goes out.



Installation

INSTALLATION

IMPORTANT: Review and understand the warnings in the Safety Information section. They are needed to safely operate this space heater. Follow all local ordinances and codes when using this space heater.



WARNING: TEST ALL GAS PIPING AND CONNECTIONS FOR LEAKS AFTER INSTALLING OR SERVICING. NEVER USE AN OPEN FLAME TO CHECK FOR A LEAK. APPLY A MIXTURE OF LIQUID SOAP AND WATER TO ALL JOINTS. BUBBLES FORMING SHOW A LEAK. CORRECT ALL LEAKS AT ONCE.

1. Provide propane supply system (see Propane Supply).
2. Connect fuel gas connector fitting on hose / regulator assembly to Propane / L.P. tank(s). Turn counterclockwise into threads on tank valve. Tighten firmly using wrench.

IMPORTANT: Tighten regulator with vent pointing down. Pointing vent down protects regulator from weather damage. (Fig. 1)

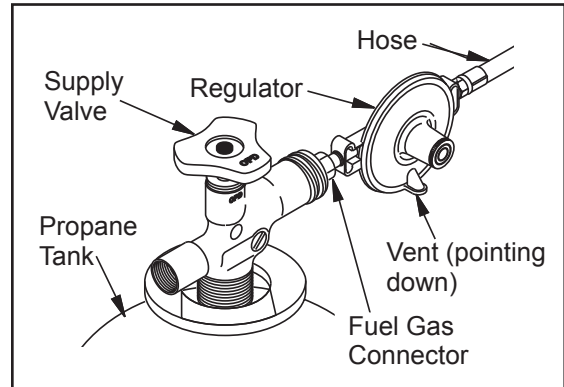
3. Connect hose to inlet connector. Tighten firmly using a wrench. (Fig. 2)

IMPORTANT: Extra hose or piping may be used if needed. Install extra hose or piping between hose/regulator assembly and Propane / L.P. tank. You must use the regulator supplied with heater.

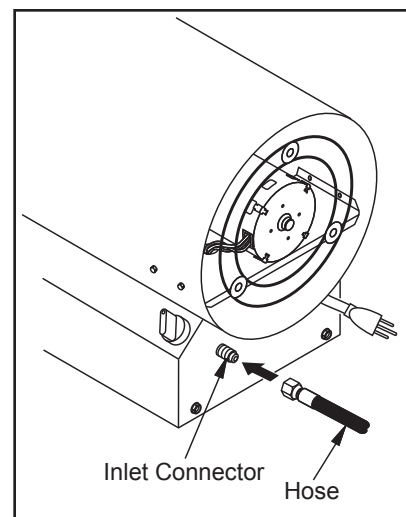
4. Open propane supply valve on Propane / L.P. tank(s) slowly.

Note: If not opened slowly, excess-flow check valve on Propane / L.P. tank will stop gas flow. If this happens, close propane supply valve and open again slowly.

5. Check all connections for leaks.
6. Close propane supply valve.



(Fig. 1)



(Fig. 2)

Operation

OPERATION



WARNING: FOLLOW THE MINIMUM FRESH, OUTSIDE AIR VENTILATION REQUIREMENTS. IF PROPER FRESH, OUTSIDE AIR VENTILATION IS NOT PROVIDED, CARBON MONOXIDE POISONING CAN OCCUR. PROVIDE PROPER FRESH, OUTSIDE AIR VENTILATION BEFORE RUNNING HEATER.

START SPACE HEATER:

1. Follow all ventilation and safety information.
2. Place the space heater in an area that provides maximum circulation of the heated air. Follow all location requirements noted in the Safety Information.

Operation

OPERATION

3. Locate heater on stable and level surface. Make sure strong drafts do not blow into front or rear of heater.
4. Make sure the control knob is in the OFF position.
5. Plug power cord of heater into a three-prong, grounded extension cord. Extension cord must be at least 6 feet (1.83 m) long, UL/CSA listed and of a proper size. See Extension Cord Chart.
6. Plug extension cord into a 120 volt/60 hertz, 3-hole, grounded outlet. Motor will start. Fan will turn, forcing air out front of heater.
7. Open propane supply valve on Propane / L.P. tank(s) slowly.

Note: *If not opened slowly, excess-flow check valve on Propane / L.P. tank will stop gas flow. You may hear a click from the excess-flow check valve closing. If this happens, reset the excess-flow check valve by closing Propane / L.P. supply valve and open again slowly.*

8. Press and hold in control knob. Turn counterclockwise to the LOW position. Heater should ignite within a few seconds.

Note: *If heater fails to ignite, hose may have air in it. If so, keep control knob pressed and wait 20 seconds. Release automatic control knob and wait 20 seconds for unburned fuel to exit heater. Repeat step 8.*

9. After heater ignites, wait 30 seconds. This activates the automatic control system. Release the control knob.
10. When burner remains lit, set heater at the desired heat level by turning the control valve counterclockwise. If burner goes out, turn off gas. Turn control knob fully clockwise to the lowest position. Check fuel supply. If adequate fuel is available, restart heater beginning at step 1.

STOP SPACE HEATER:

1. Tightly close propane supply valve on Propane / L.P. tank(s).
2. Wait a few seconds. Heater will burn gas left in supply hoses.
3. Turn control knob to the OFF position.
4. Unplug heater.

Extension Cord Size Requirement	
Length of Cord:	Rated Cord:
51 to 100 feet (15.5 to 30.48 m)	16 AWG
101 to 200 feet (30.78 to 60.96 m)	14 AWG

Troubleshooting



WARNING: HIGH VOLTAGE. NEVER SERVICE SPACE HEATER WHILE IT IS PLUGGED IN, OPERATING, OR HOT. SEVERE BURNS AND ELECTRICAL SHOCK CAN OCCUR.

Symptom	Problem	Solution
Fan does not turn when heater is plugged in.	No electrical power to heater.	Check voltage to electrical outlet. If voltage is good, check heater power cord for breaks.
	Fan hitting inside of heater shell.	Adjust motor / fan mount to keep fan from hitting inside of heater shell.
	Fan blades bent.	Replace fan.
	Defective motor.	Replace motor.
Heater will not ignite.	User did not follow installation or operation instructions properly.	Repeat installation and operation instructions.
	No spark at ignitor. To test for spark, see "Service: Ignitor" and follow step 8. If you see spark at ignitor, have heater serviced by qualified service person. If no spark seen:	
	a. Loose or disconnected ignitor wire	a. Check ignitor wire. Tighten or reattach loose ignitor wire. See "Maintenance: Spark Transformer" for ignitor wire location
	b. Wrong spark gap	b. Set gap between ignitor electrode and nozzle to .13"-.15" (3.3/3.8 mm)
	c. Bad ignitor electrode	c. Replace ignitor electrode. See "Maintenance: Ignitor".
d. Bad spark transformer	d. Replace spark transformer. See "Maintenance: Spark Transformer".	



WARNING: HIGH VOLTAGE. NEVER SERVICE SPACE HEATER WHILE IT IS PLUGGED IN, OPERATING, OR HOT. SEVERE BURNS AND ELECTRICAL SHOCK CAN OCCUR.

Symptom	Problem	Solution
Heater shuts down while running.	Propane / L.P. supply may be inadequate.	a. Refill tank b. Provide additional and/or larger tanks. See "Preparation: Propane Supply".
	High surrounding air temperature causing thermal limit device to shut down heater.	This can happen when running heater in temperatures above 85° F (30° C). Run heater in cooler temperatures.
	Restricted air flow.	Check heater inlet and outlet. Remove any obstructions.
	Damaged fan.	Replace fan. See "Maintenance: Fan".
	Excessive dust or debris in surrounding area.	Clean heater. See "Maintenance".

⚠ WARNING: Use only in areas free of high dust content.

Heater producing odor.	Gas leak	Check all connections for leaks. Apply mixture of liquid soap and water to gas joints. Bubbles forming show a leak that must be corrected
	Heater operating on a 20 lb. Propane / L.P. cylinder. Insufficient Propane / L.P. gas will be supplied by a 20 lb. cylinder resulting in odor	To obtain correct mixture of Propane / L.P. gas and air, use a larger cylinder size, i.e. 40 lb. (minimum) or 100 lb. See "Preparation: Propane Supply".
	Propane / L.P. supply tank is "freezing up". Evaporation and consumption rate of propane from supply tank is too great for the size of the tank and air temperature	a. Use a larger supply cylinder size, i.e. 40 lb. (minimum) or 100 lb. b. Reduce consumption rate by operating the heater at LOW setting temporarily until frost disappears from the tank

Service

MAINTENANCE:



WARNING: TO AVOID RISK OF BURN AND ELECTRICAL SHOCK, NEVER ATTEMPT TO SERVICE SPACE HEATER WHILE IT IS PLUGGED IN, OPERATING, OR HOT.

KEEP HEATER CLEAR AND FREE FROM COMBUSTIBLE MATERIALS, GASOLINE AND OTHER FLAMMABLE VAPORS AND LIQUIDS

DO NOT BLOCK THE FLOW OF COMBUSTION OR VENTILATION AIR.

1. Keep heater clean. Clean heater annually or as needed to remove dust and debris. If heater is dirty or dusty, clean heater with a damp cloth. Use household cleaners on difficult spots.
2. Inspect heater before each use. Check connections for leaks. Apply mixture of liquid soap and water to connections. Bubbles forming show a leak. Correct all leaks at once.
3. Inspect hose / regulator assembly before each use. If hose is highly worn or cut, replace with hose specified by manufacturer.
4. Have heater inspected yearly by a qualified service agency.
5. Keep inside of heater free from combustible and foreign objects. Remove motor and other internal parts if needed to clean inside of heater.
6. Clean fan blades each season or as needed.

MAINTENANCE (CONTINUED):

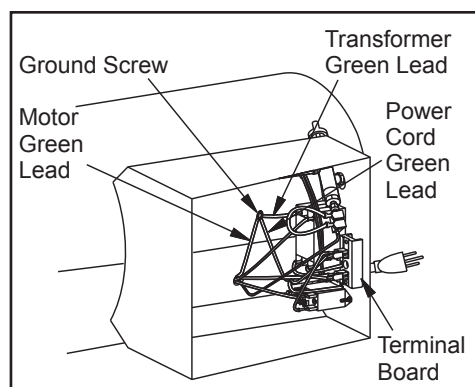
⚠ WARNING: NEVER SERVICE HEATER WHILE IT IS PLUGGED IN, CONNECTED TO PROPANE / L.P. SUPPLY, OPERATING OR HOT. SEVERE BURNS AND ELECTRICAL SHOCK CAN OCCUR.

MOTOR:

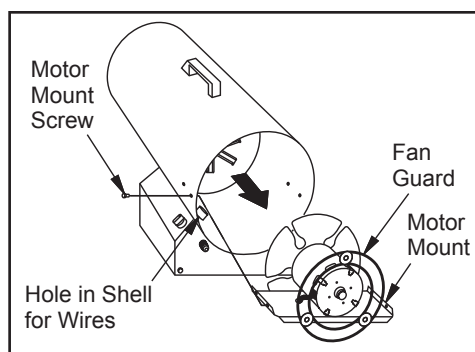
1. With heater on its side, remove base tray.
2. Access ground screw through underside of heater base. Remove ground screw. Disconnect the green motor wire and the green power cord wire from underside of shell (Fig. 3).
3. Remove black and white motor wires from terminal board (Fig. 3).
4. Carefully push motor wires through hole in bottom of shell.
5. Remove screws holding motor mount to shell. Use nut-driver (Fig. 4).
6. Carefully pull motor and fan out of shell.

IMPORTANT: Be careful not to damage fan. Do not set motor and fan down with the weight resting on fan. This could damage fan pitch.

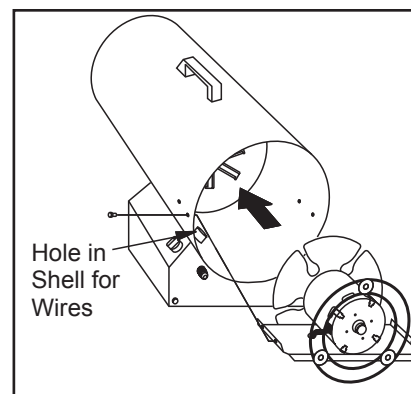
7. Use hex wrench to loosen setscrew which holds fan to motor shaft.
8. Remove fan. Be careful not to damage the fan blade pitch.
9. Use nut driver to remove two nuts that attach motor to motor mount.
10. Discard old motor.
11. Attach motor to motor mount with two nuts. Tighten nuts firmly.
12. Replace fan on motor shaft. Make sure set screw contacts flat surface on motor shaft.
13. Tighten set screw firmly (40-50 inch-pounds [46.08-57.60 kilogram-centimeters]).
14. Carefully route motor wires through hole in shell (Fig. 5). Place motor, motor mount and fan guard into rear of heater shell.
15. Insert screws through heater shell and into motor mount. Tighten screws firmly.
16. Turn heater on its side to access opening in bottom of base. Connect green wires from motor, transformer and power cord to heater shell using ground nut (Fig. 3).
17. Attach black and white wires to terminal board (see "Wiring Diagram" for correct locations).
18. Replace base tray.



(Fig. 3)



(Fig. 4)



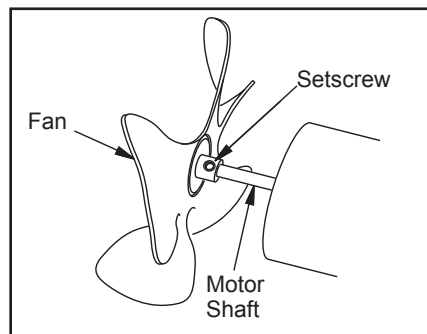
(Fig. 5)

MAINTENANCE (CONTINUED):**FAN:**

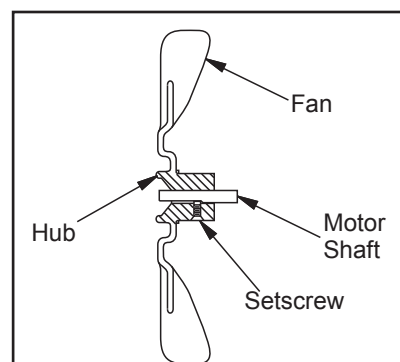
- 1 Remove motor, motor mount and fan (see "Maintenance: Motor", steps 1 through 8.).
2. Clean fan using soft cloth moistened with kerosene or solvent.
3. Dry fan thoroughly.
4. Replace fan on motor shaft. Make sure setscrew is touching back of flat surface on motor shaft (Fig. 6 and 7).
5. Place setscrew on flat of shaft. Tighten setscrew firmly (40-50 inch-pounds / 46.08-57.60 kilogram-centimeters).
6. Place motor, motor mount and fan guard into rear of heater shell (see "Maintenance: Motor", steps 14 through 18).

SPARK TRANSFORMER:

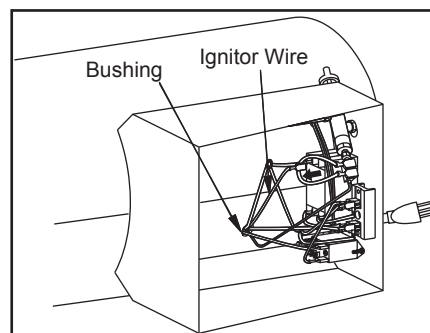
1. Remove base tray.
2. Locate and disconnect white, black and orange wires from spark transformer. (Fig. 8)
3. Remove two screws holding spark transformer to base. Remove sheet metal nuts on transformer and install on new transformer. Discard spark transformer.
4. Install new spark transformer. Position new spark transformer in same manner as old transformer.
5. Connect white, black and orange wires to new spark transformer. Connect wires to correct terminals as noted in step 2.
6. Replace base tray.



(Fig. 6)



(Fig. 7)



(Fig. 8)

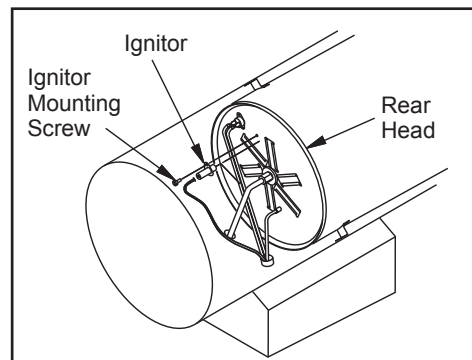
MAINTENANCE (CONTINUED):**IGNITOR:**

1. Remove motor, motor mount and fan guard (see "Maintenance: Motor", steps 1 through 6).
2. Remove orange ignitor wire from ignitor.
3. Remove ignitor mounting screw from rear head using nut-driver or standard screwdriver (Fig. 9).
4. Remove ignitor from rear head.
5. Install new ignitor. Attach ignitor to rear head with ignitor mounting screw.
6. Attach ignitor wire.
7. Check gap between ignitor electrode and nozzle to .13"/.15" (3.3/3.8 mm) (Fig. 10).
8. Test for spark. Plug into extension cord and watch for spark between ignitor electrode and nozzle.

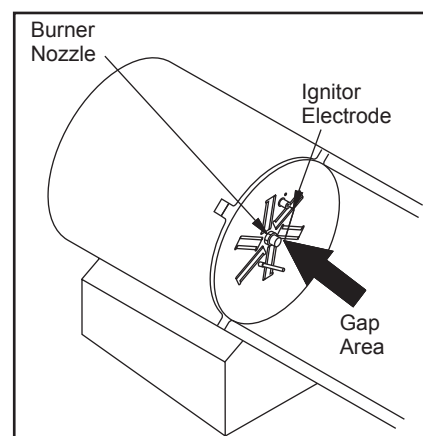


WARNING: MAKE SURE HEATER IS DISCONNECTED FROM PROPANE SUPPLY. HEATER COULD IGNITE CAUSING SEVERE BURNS.

9. Place motor, motor mount and fan guard into rear of heater shell (see "Maintenance: Motor", steps 14 through 18).



(Fig. 9)



(Fig. 10)

Storage



CAUTION: DISCONNECT HEATER FROM PROPANE / L.P. SUPPLY TANK(S).

1. Store Propane / L.P. tank(s) in safe manner. See Chapter 5 of *Standard for Storage and Handling of Liquefied Petroleum Gases, ANSI/NFPA 58* and the *Propane Installation Code CAN/CGA B149.2*. Follow all local codes. Always store Propane / L.P. tanks outdoors.
2. Place plastic cover caps over brass fittings on inlet connector and hose / regulator assembly.
3. Store in dry, clean and safe place. Do not store hose / regulator assembly inside heater combustion chamber.
4. When taking heater out of storage, always check inside of heater. Insects and small animals may place foreign objects in heater. Keep inside of heater free from combustible and foreign objects.

Specifications

ITEM	SPECIFICATION		
Model Size	AC-100LP		
Output Rating (BTU / Hr)	65,000	85,000	100,000
Fuel	Propane Vapor Only		
Fuel Consumption:			
(Gal. Per Hr / Liters Per Hr)	0.7 / 2.65	0.9 / 3.52	1.1 / 4.16
(Pounds Per Hr / Kilograms Per Hr)	3.0 / 1.36	3.9 / 1.77	4.6 / 2.09
Supply Pressure to Regulator:			
Minimum (for input adjustment)	10 PSI / 65.98 kPa		
Maximum	Tank Pressure		
Regulator Outlet Pressure	Factory Preset		
Manifold Pressure	10" WC / 25.4 cm		
Hot Air Output (Approx.)	475 CFM / 144.78 cubic meter/minute		
Motor RPM	3200		
Motor HP	1/10		
Electric Input	120V / 60Hz		
Amperage (Normal Run)	2.9		
Ignition	Continuous		
Ignitor Gap	0.13 in / 0.15 in (3.3 mm / 3.8 mm)		
Shipping Weight (Approximate Pounds / Kilograms)	29 / 13.15		
Space Heater Weight (Approximate Pounds / Kilograms)	23 / 10.43		

RECORD SERIAL NUMBER

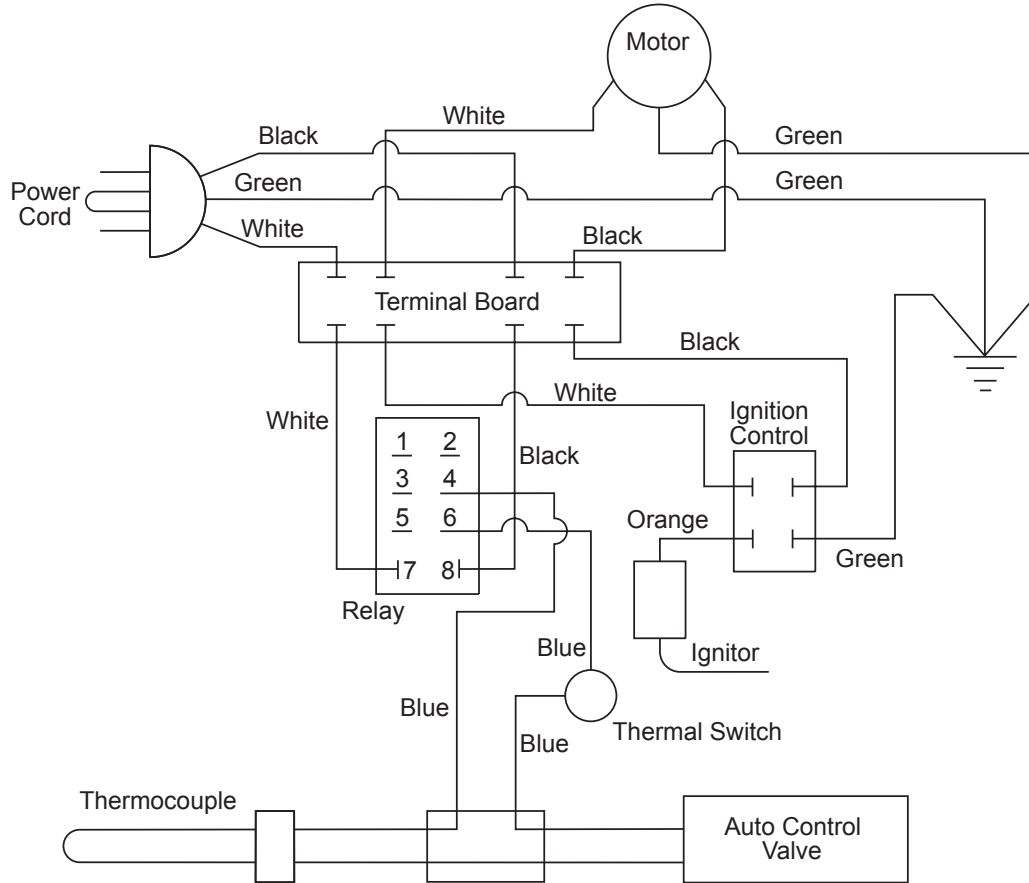
Write you model number, machine serial number and date of purchase in the spaces provided below. Your dealer needs this information when ordering parts.

Model No. _____

Machine Serial No. _____

Date of Purchase _____
(To be filled in by purchaser)

Wire Diagram



STATEMENT OF WARRANTY

John Deere warrants all parts, (except those referred to below), of your new space heater to be free from defects in materials and workmanship during the following periods:

For One (1) Year from the date of original purchase.

Defective parts not subject to normal wear and tear will be repaired or replaced at our option during the warranty period. In any event, reimbursement is limited to the purchase price paid.

EXCLUSIONS

1. This warranty does not cover parts damaged due to normal wear, misapplication, misuse, operation at other than recommended. Failure to follow recommended operating and maintenance procedures also voids warranty.
2. The use of other than genuine manufacturer repair parts will void warranty.
3. Warranty will be void if used in any application other than consumer / homeowner. Parts returned, prepaid to our factory or to an Authorized John Deere Service Center will be inspected and replaced free of charge if found to be defective and subject to warranty. There are no warranties which extend beyond the description of the face hereof. Under no circumstances shall the manufacturer bear any responsibility for loss of use of the unit, loss of time or rental, inconvenience, commercial loss or consequential damages.

For Service or Warranty Consideration, contact
Mi-T-M® Corporation, 8650 Enterprise Drive, Peosta, IA 52068
1-877-JD-KLEEN / (1-877-535-5336) Fax 563-556-1235
Monday - Friday 8:00 a.m. - 5:00 p.m. CST

Notes


Introduction

MERCI de la confiance témoignée par l'achat d'un produit John Deere.


LIRE CE MANUEL ATTENTIVEMENT AFIN de pouvoir utiliser et entretenir correctement votre appareil, sinon des dommages corporels ou matériels pourraient en résulter. Ce manuel et les symboles de sécurité sur votre appareil peuvent également être disponible en d'autres langues. (Voir votre concessionnaire John Deere pour les commander.)

CE MANUEL DOIT ÊTRE CONSIDÉRÉ comme faisant partie intégrante de votre appareil et doit l'accompagner en cas de revente.

LES MESURES dans ce manuel sont indiquées à la fois dans leurs équivalents métriques et en unités usuelles des USA. Utiliser seulement les pièces de rechange et les éléments de fixation corrects. Les éléments de fixation métriques et en pouces peuvent nécessiter des clés spécifiques à leurs système d'unités.

 **AVERTISSEMENT GÉNÉRAL DE RISQUE :**
LISEZ ATTENTIVEMENT ET ENTIÈREMENT CE MANUEL D'UTILISATION AVANT DE TENTER D'ASSEMBLER, DE FAIRE FONCTIONNER OU DE RÉPARER CE RADIATEUR. UNE MAUVAISE UTILISATION DE CET APPAREIL DE CHAUFFAGE PEUT CAUSER DE GRAVES BLESSURES, VOIRE LA MORT, SUITE À DES BRÛLURES, UN INCENDIE, UNE EXPLOSION, UNE DÉCHARGE ÉLECTRIQUE OU UN EMPOISONNEMENT AU MONOXYDE DE CARBONE.

LISEZ ET COMPRENEZ TOUS LES AVERTISSEMENTS. CONSERVEZ CE MANUEL POUR CONSULTATION FUTURE. IL VOUS PERMETTRA DE FAIRE FONCTIONNER CET APPAREIL DE CHAUFFAGE CORRECTEMENT ET EN TOUTE SÉCURITÉ.

 **AVERTISSEMENT: RISQUE D'INCENDIE, DE BRÛLURES, D'INHALATION ET D'EXPLOSION. MAINTENIR LES MATÉRIELS COMBUSTIBLES SOLIDES, TELS QUE LES MATÉRIELS DE CONSTRUCTION, LE PAPIER OU LE CARTON À UNE DISTANCE RESPECTUEUSE DE L'APPAREIL DE CHAUFFAGE TEL QU'IL EST RECOMMANDÉ DANS LES INSTRUCTIONS. NE JAMAIS SE SERVIR DE L'APPAREIL DE CHAUFFAGE DANS DES ENDROITS QUI CONTIENNENT OU QUI PEUVENT CONTENIR DES COMBUSTIBLES EN SUSPENSION OU DES PRODUITS TELS QUE L'ESSENCE, LES DISSOLVANTS, LES DILUANTS DE PEINTURE, LES PARTICULES DE POUSSIÈRE OU DES PRODUITS CHIMIQUES INCONNUS.**

 **AVERTISSEMENT: NE PAS UTILISER DANS LES DOMICILES OU LES CAMPING-CARS.**

Le NUMÉRO DE SÉRIE de l'appareil se situe dans la section Caractéristiques ou Numéros d'Identification. Noter correctement tous les numéros afin de faciliter les recherches en cas de vol. Les communiquer également au concessionnaire lors de toute commande de pièces. Ranger les numéros d'identification dans un endroit sûr et séparé de l'appareil.

LA GARANTIE fait partie du programme de soutien John Deere destiné aux clients qui utilisent et entretiennent leur équipement tel qu'il est décrit dans ce manuel. Les conditions de garantie dont bénéficie cet appareil figurent sur le certificat de garantie dans ce manuel.

Cette garantie vous fournit l'assurance que votre concessionnaire fournira du support pour les produits où des défauts apparaîtraient au cours de la période de garantie. Toute utilisation abusive de l'équipement ou modification visant à dépasser les performances spécifiées par le constructeur annuleront la garantie.

Cet appareil est conçu comme appareil de chauffage pour le travail en bâtiment conformément à ANSI Z83.7/CGA 2.14. D'autres normes gouvernent l'utilisation des gaz combustibles et des produits de chauffage à utilisations spécifiques. Les autorités locales peuvent vous conseiller à ce sujet. L'usage principal des appareils de chauffage de construction est de fournir un chauffage temporaire aux bâtiments en construction, sous transformations ou en réparations. Quand il est utilisé correctement, l'appareil de chauffage fournit un chauffage économique et sans danger. Les produits de combustion sont évacués dans l'endroit qui est chauffé.

Nous ne pouvons pas prévoir tous les emplois possibles de nos appareils de chauffage. **Consulter les responsables locaux de la sécurité incendie si vous avez des questions à propos de l'utilisation de l'appareil de chauffage.**

D'autres normes déterminent l'utilisation des gaz combustibles et des produits de chauffage à utilisations spécifiques. Les autorités locales peuvent vous conseiller à ce sujet.

Le gaz de propane n'a pas d'odeur. Un agent qui fabrique une odeur est ajouté au gaz de propane. Cette odeur vous aide à détecter une fuite de propane. Cependant, l'odeur qui est ajouté au gaz de propane peut s'estomper. Le gaz de propane peut être présent même s'il n'y a pas d'odeur.

Installer et utiliser l'appareil de chauffage avec soin. Respecter toutes les ordonnances et codes locaux. S'il n'y a pas d'ordonnances et de codes locaux, consulter *La Norme pour l'Entreposage et la Manipulation du Gaz de Pétrole Liquéfié, ANSI/NFPA 58 et le Code d'Installation de Propane, CAN/CGA B149.2*. Vous y trouverez des instructions décrivant la façon la plus sûre pour entreposer et manipuler les gaz propane.

AVERTISSEMENT

Cet appareil contient ou produit des produits chimiques déterminés par l'État de Californie comme cancérigènes et pouvant causer des malformations congénitales et d'autres problèmes liés à la reproduction.

Table des matières

	Page
Sécurité	26
Commandes	31
Préparation	32
Installation	34
Fonctionnement	34
Dépannage	36
Entretien	38
Entreposage	41
Caractéristiques	42
Schéma de câblage	43
Garantie	44
Note	45

Toutes les informations, illustrations et caractéristiques contenues dans la présente publication sont à jour au moment de la publication, le constructeur se réservant le droit d'apporter sans notification toute modification jugée appropriée.

Sécurité

RECONNAITRE LES SYMBOLES DE SÉCURITÉ

Voici le symbole d'alerte de sécurité. Lorsqu'il apparaît sur votre appareil ou dans ce manuel, rester conscient du risque potentiel de blessures.

Respecter tous les conseils de sécurité ainsi que les consignes générales de prévention des accidents.



COMPRENDRE LES MOTS D'ALERTE

Un mot d'alerte—DANGER, AVERTISSEMENT ou ATTENTION—est utilisé avec le symbole d'alerte de sécurité. Le terme DANGER identifie les dangers les plus graves.

Les signes de sécurité avec DANGER ou AVERTISSEMENT se trouvent près des dangers spécifiques. Les signes de sécurité avec ATTENTION se réfèrent à des précautions d'ordre général. Le terme ATTENTION demande aussi de prêter attention aux messages de sécurité dans ce manuel.



RESPECTER LES CONSEILS DE SÉCURITÉ

Lire attentivement tous les conseils de sécurité contenus dans ce manuel et ceux apposés sur l'appareil. Veiller à ce que les signes de sécurité soient lisibles. Remplacer ceux qui manqueraient ou seraient endommagés. S'assurer que les nouveaux composants ou pièces de rechange incluent les signes de sécurité courants. Des signes de rechange sont disponibles chez votre concessionnaire John Deere.

Lisez attentivement et entièrement ce manuel d'utilisation avant de tenter d'assembler, de faire fonctionner ou de réparer ce radiateur. Une mauvaise utilisation de cet appareil de chauffage peut causer de graves blessures, voire la mort, suite à des brûlures, un incendie, une explosion, une décharge électrique ou un empoisonnement au monoxyde de carbone.

Lisez et comprenez tous les avertissements. Conservez ce manuel pour consultation future. Il vous permettra de faire fonctionner cet appareil de chauffage correctement et en toute sécurité.

Si vous ne comprenez pas toute partie de ce manuel et avez besoin d'assistance, prenez contact avec votre concessionnaire John Deere.



OXYDE DE CARBONE – GAZ TOXIQUE

 **DANGER: L'EMPOISONNEMENT AU MONOXYDE DE CARBONE PEUT ÊTRE MORTEL!**

Le gaz d'échappement du carburant contient de l'oxyde de carbone – un gaz toxique qui peut vous tuer. Vous NE POUVEZ PAS sentir ou voir ce gaz.

Empoisonnement au monoxyde de carbone: Les premiers symptômes d'un empoisonnement au monoxyde de carbone ressemblent à la grippe avec des maux de tête, des vertiges ou de la nausée. Si vous avez ces symptômes, il se pourrait que l'appareil de chauffage ne fonctionne pas bien. Respirez tout de suite de l'air frais ! Faites réparer l'appareil de chauffage. Certaines personnes sont plus affectées par le monoxyde de carbone que d'autres. Celles-ci comprennent les femmes enceintes, les personnes souffrant de maladies cardiaques ou pulmonaires ou d'anémie, celles qui sont en état d'ébriété et celles qui vivent à haute altitude.

Ne jamais se servir d'un carburant dans des espaces fermés ou partiellement fermés sans ventilation appropriée. Ne l'utilisez que dans des endroits bien aérés. Avant d'utiliser l'appareil de chauffage, aménagez une ouverture d'air frais provenant de l'extérieur d'au moins 0,28 m² (3 pi²) pour chaque 30 kW (100 000 BTU/h) de puissance. Les l'appareil de chauffage peuvent produire de hauts niveaux d'oxyde de carbone très rapidement. Pendant l'utilisation d'un carburant, se rappeler que vous ne pouvez pas sentir ou voir l'oxyde de carbone. Même si vous ne sentez pas les gaz d'échappement, vous pouvez tout de même être exposé à l'oxyde de carbone.

Si vous commencez à vous sentir malade, étourdi, ou faible pendant l'utilisation d'un l'appareil de chauffage, sortez au grand air immédiatement. **NE PAS ATTENDRE.** L'oxyde de carbone provenant des l'appareil de chauffage peut rapidement être la cause d'une incapacité complète ou de mort.

En cas des symptômes sérieux, trouver de l'aide médicale immédiatement. Informer le personnel médical qu'une intoxication à l'oxyde de carbone est possible. Si vos symptômes sont apparus à l'intérieur, ne pas retourner dans le bâtiment avant que les sapeurs pompiers s'assurent que le bâtiment est sans danger.

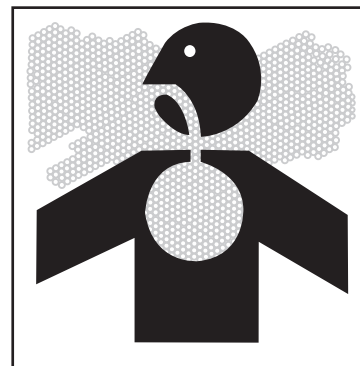
NE JAMAIS utiliser le l'appareil de chauffage dans une atmosphère explosible, près de matériaux combustibles ou dans un endroit où la ventilation n'est pas suffisante pour évacuer les gaz d'échappement. **Les gaz d'échappement peuvent être la cause de blessures graves ou de mort.**

NE JAMAIS se servir d'un l'appareil de chauffage à l'intérieur, que ce soit dans des maisons, garages, sous-sols, vides de comble ou vides sanitaire, et autres espaces fermés ou partiellement fermés, sans ventilation appropriée. Le fait d'ouvrir des fenêtres et des portes ou d'utiliser des ventilateurs n'empêchera pas l'accumulation d'oxyde de carbone dans la maison. Ne l'utilisez que dans des endroits bien aérés. Avant d'utiliser l'appareil de chauffage, aménagez une ouverture d'air frais provenant de l'extérieur d'au moins 0,28 m² (3 pi²) pour chaque 30 kW (100 000 BTU/h) de puissance.

Si vous commencez à vous sentir malade, étourdi, ou faible tout en en utilisant le réchauffeur de l'espace, a fermé si au loin et obtient l'air frais **TOUT DE SUITE.** Voir le docteur. Vous pouvez avoir l'empoisonnement d'oxyde de carbone.

Installer des alarmes d'oxyde de carbone à piles ou des alarmes d'oxyde de carbone avec batterie de secours qui se branche dans votre maison, selon les instructions d'installation du fabricant. Les alarmes d'oxyde de carbone doivent être conforme aux exigences des dernières normes de sécurité pour les alarmes d'oxyde de carbone. (UL 2034, IAS 6-96, ou CSA 6.19.01).

Tester votre alarme d'oxyde de carbone fréquemment et remplacer les piles à plat.



RISQUES ÉLECTRIQUES



DANGER - UN BRANCHEMENT INCORRECT DU CONDUCTEUR DE MISE À LA TERRE DE L'ÉQUIPEMENT PEUT ENTRAÎNER DES RISQUES D'ÉLECTROCUTION. VÉRIFIER AVEC UN DÉPANNEUR OU UN ÉLECTRICIEN QUALIFIÉ EN CAS DE DOUTES CONCERNANT LA MISE À LA TERRE.



N'utiliser que la tension et la fréquence électrique indiquées sur la plaque signalétique. Le câblage électrique et la mise à la terre de l'appareil de chauffage doivent respecter le *Code National Electrique*, ANSI/NFPA 70 ou le *Code Canadien Electrique, Partie 1*.

L'appareil de chauffage doit être mis à la terre. N'utiliser qu'une rallonge électrique trifilaire avec mise à la terre. Ne le brancher que dans une prise avec mise à la terre. En cas de mauvais fonctionnement ou de panne, la mise à la terre fournit un chemin de moindre résistance au courant électrique, réduisant ainsi les risques de décharge électrique.

L'appareil de chauffage est une source potentielle de décharge électrique s'il n'est pas gardé au sec. Maintenir l'appareil de chauffage au sec et ne pas l'utiliser par temps de pluie ou dans des conditions humides. Pour protéger l'appareil de chauffage contre l'humidité, ne s'en servir que sur une surface sèche et sous une structure ouverte tel qu'un auvent. Ne jamais toucher l'appareil de chauffage avec les mains mouillées.

Vérifier que toute la rallonge est en bon état, sans entailles ou déchirures et que la fiche a bien trois broches, et surtout une lame de terre.

CONSEILS DE SÉCURITÉ IMPORTANTS

Assurez-vous vous lire et comprendre tous les avertissements. Gardez ce manuel pour la référence. C'est votre guide de fonctionnement sûr et approprié de ce réchauffeur.

1. N'utilisez que dans des endroits libres de vapeur inflammable et de poussière.
2. Distance minimale de tout matériau combustible : 2,44 m (8 pi) de toute sortie d'air brûlant, 1,83 m (6 pi) du dessus et 60,96 cm (2 pi) des côtés et de l'admission d'air.
3. Placez l'appareil de chauffage sur une surface stable et de niveau lorsqu'il est chaud ou lorsqu'il est en marche, pour éviter tout risque d'incendie.
4. Ne l'utilisez que dans des endroits bien aérés. Avant d'utiliser l'appareil de chauffage, aménagez une ouverture d'air frais provenant de l'extérieur d'au moins 0,28 m² (3 pi²) pour chaque 30 kW (100 000 BTU/h) de puissance.
5. Gardez les enfants et les animaux éloignés de l'appareil de chauffage en tout temps.
6. Ne se servir de l'appareil de chauffage que conformément aux ordonnances et codes locaux.
7. S'assurer que la zone où se trouve l'appareil de chauffage est libre de toute substance combustible, d'essence, de diluant de peinture et d'autres liquides et vapeurs inflammables.
8. Ne jamais se servir de l'appareil de chauffage dans les espaces d'habitation.
9. Ne jamais laisser un appareil de chauffage branché sans la surveillance d'un adulte s'il est possible que des enfants ou animaux soient présents. Ne pas laisser l'appareil de chauffage sans surveillance.
10. Ne jamais déplacer, manipuler ou réparer un appareil de chauffage chaud ou en marche. Des blessures graves pourraient en résulter. Il faut attendre 15 minutes après l'arrêt de l'appareil.



CONSEILS DE SÉCURITÉ IMPORTANTS

11. N'installer jamais de système de conduits d'air à l'avant ou à l'arrière de l'appareil de chauffage.
12. Les appareils de chauffage à proximité de bâches, de toiles et d'autres matériaux semblables doivent être maintenus à une bonne distance de ces derniers. La distance minimale de sécurité recommandée est de 3,05 m (10 pi). De plus, il est conseillé d'utiliser des bâches de protection ignifuges. Ces matériaux doivent être solidement attachés pour les empêcher de s'enflammer ou de nuire à l'appareil de chauffage sous l'action du vent.
13. Débranchez l'appareil lorsqu'il n'est pas utilisé.
14. Ne bloquez jamais la prise d'air (à l'arrière) ou la sortie d'air (en avant) de l'appareil de chauffage.
15. Cet appareil a été approuvé pour être utilisé dans l'état du Massachusetts.
16. Ne se servir que du tuyau et du détendeur programmés en usine fournis avec cet appareil de chauffage.
17. Utiliser uniquement des réservoirs de Propane/GPL équipés pour le soutirage de gaz.
18. S'utilise uniquement à l'intérieur. Ne pas se servir de l'appareil de chauffage à l'extérieur.
19. Ne pas se servir de l'appareil de chauffage dans un sous-sol ou sous le niveau du sol. Le gaz Propane/GPL est plus lourd que l'air. Si une fuite se produit, le gaz Propane/GPL s'enfoncera au niveau le plus bas possible.
20. Maintenir l'appareil de chauffage à une distance minimale de 6 pieds (1m 82) du/des réservoir(s) de Propane/GPL. Ne pas orienter l'appareil de chauffage vers un/des réservoir(s) de Propane/GPL se trouvant à moins de 20 pieds (6m10).
21. Maintenir le/les réservoirs de Propane/GPL en dessous de 100° F (37.8°C).
22. S'assurer que l'appareil de chauffage n'est pas endommagé avant chaque utilisation. Ne pas se servir d'un appareil endommagé.
23. Vérifier l'état du tuyau avant chaque utilisation de l'appareil de chauffage. Si le tuyau est très usé ou entaillé, le remplacer avec un tuyau spécifié par le fabricant avant d'utiliser l'appareil de chauffage.
24. Maintenir l'appareil de chauffage à l'écart de forts courants d'air, du vent, des giclements d'eau, de la pluie ou d'eau qui goutte.
25. Pour éviter les blessures, porter des gants lors du maniement de l'appareil de chauffage.
26. Ne pas modifier l'appareil de chauffage. Maintenir l'appareil de chauffage dans son état original.
27. Ne pas se servir de l'appareil de chauffage s'il a été altéré.
28. Fermer l'approvisionnement en propane de l'appareil quand il ne sert pas.
29. Ne se servir que de pièces de rechange d'origine. Cet appareil ne doit utiliser que des pièces à caractéristiques spécifiques. Ne pas substituer ou utiliser des pièces de rechange génériques. Des pièces de rechange incorrectes peuvent être la cause de blessures graves ou mortelles.



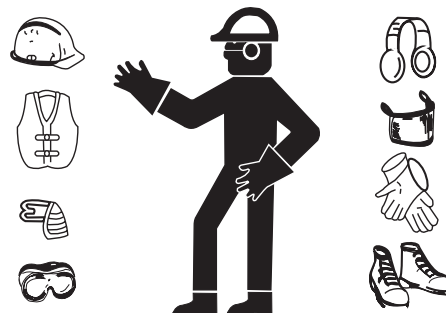
CONSERVER CES INSTRUCTIONS

PORTER DES VÊTEMENTS DE PROTECTION

Porter des vêtements ajustés et un équipement de sécurité adapté au travail.

Porter un dispositif protecteur d'audition approprié tel que des couvre-oreilles ou des bouche-oreilles pour se protéger contre des bruits forts réprehensibles ou inconfortables.

La pleine attention de l'opérateur est requise afin d'utiliser l'équipement en toute sécurité. Ne pas porter des écouteurs de radio ou de musique tout en actionnant la machine.

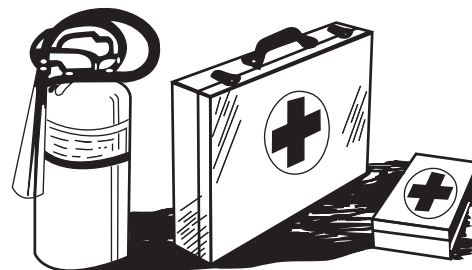


PRÉPARATION POUR LES URGENCES

Garder une trousse des premiers secours et un extincteur à portée de la main.

Garder les numéros d'urgence des docteurs, du service d'ambulance, de l'hôpital et des pompiers en cas d'urgence près du téléphone.

Etre prêt si un incendie débute.



INSPECTER L'APPAREIL DE CHAUFFAGE

S'assurer que tous les couvercles, gardes et plaques de protection sont serrés et bien en place.

Repérer toutes les commandes et les étiquettes de sécurité. Inspectez le cordon pour déceler les dommages avant utilisation. Il y a un risque de choc électrique de l'écrasement, de la coupure ou du dommage par la chaleur.

Oter tous les éléments d'emballage appliqués sur l'appareil de chauffage pour son transport. Enlever tous les articles du carton. Vérifier que les articles n'ont pas été endommagés pendant le transport. Si l'appareil de chauffage est endommagé, il faut rapidement informer le concessionnaire où vous avez acheté l'appareil de chauffage.

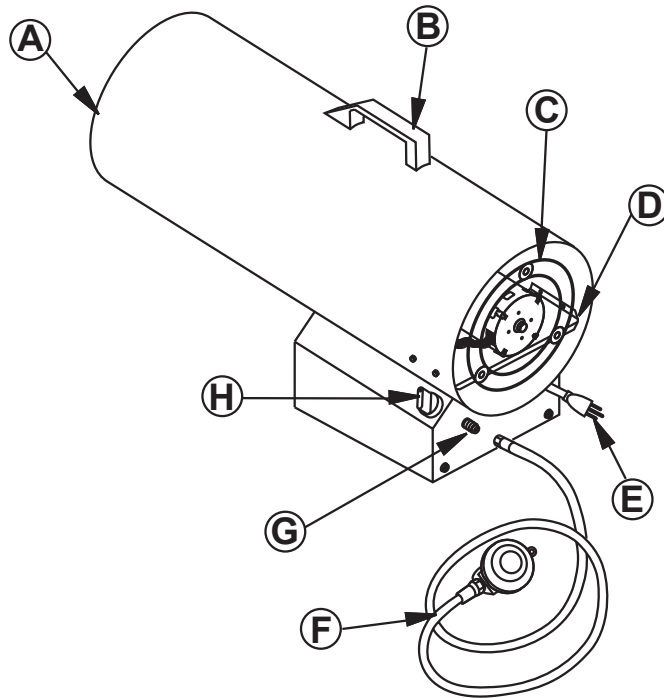
FAIRE L'ENTRETIEN DE L'APPAREIL DE CHAUFFAGE EN TOUTE SÉCURITÉ

Avant d'entretenir l'appareil de chauffage, mettre l'appareil à l'arrêt et permettre à l'appareil de refroidir.
Faire l'entretien de l'appareil de chauffage dans un endroit propre, sec et plat.

Faire l'entretien du de l'appareil de chauffage dans un endroit propre, sec et plat.

Commandes

COMMANDES AC-100LP



A -- Sortie d'air chaud (Avant)
B -- Poignée
C -- Grille de protection du ventilateur

D -- Support du moteur
E -- Cordon d'alimentation
F -- Assemblage du tuyau/détendeur

G -- Raccord de la prise d'air
H -- Bouton de commande

Préparation

VENTILATION

AVERTISSEMENT: RESPECTER LES NORMES MINIMALES DE VENTILATION DES LOCAUX. SI UNE VENTILATION ADÉQUATE PAR APPORT D'AIR FRAIS EXTÉRIEUR N'EST PAS ASSURÉE, UNE INTOXICATION À L'OXYDE DE CARBONE EST POSSIBLE. CET APPORT D'AIR FRAIS DOIT AUSSI ÊTRE ASSURÉ AVANT MÊME LE DÉMARRAGE DE L'APPAREIL DE CHAUFFAGE.

Prévoir une ouverture d'air frais d'au moins 0,28 m² (3 pieds²) pour chaque 100,000 Btu/Heure de puissance. Fournir davantage d'air frais si plus d'un appareil de chauffage est utilisé.

ALIMENTATION EN PROPANE

Le gaz Propane/GPL et le/les réservoir(s) de Propane/GPL doivent être fournis par l'utilisateur.

Ne se servir de cet appareil de chauffage qu'avec un système d'alimentation de Propane qui assure un soutirage de vapeur. Voir Chapitre 5 de *La Norme pour l'Entreposage et la Manipulation du Gaz de Pétrole Liquéfié, ANSI/NFPA 58 et le Code d'Installation de Propane, CAN/CGA B149.2*. Votre bibliothèque locale ou les responsables locaux de la sécurité incendie auront cette brochure.

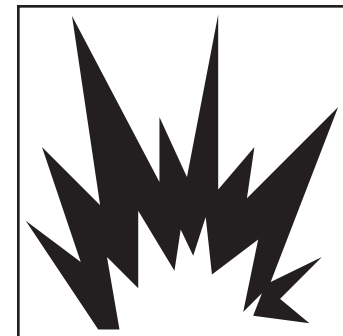
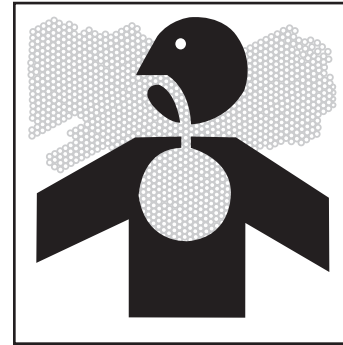
Le débit de gaz disponible en sortie du réservoir est variable. Il dépend de deux facteurs:

1. La quantité de gaz Propane/GPL dans le/les réservoir(s)
2. La température du/des réservoir(s.)

Le tableau ci-dessous montre le nombre de réservoirs de 100 livres (45 kg) nécessaires pour faire fonctionner cet appareil de chauffage. Des réservoirs plus petits peuvent être utilisés pour une utilisation de courte durée mais il est conseillé de se servir de grands réservoirs pour une performance optimale.

Température au réservoir	Nombres de réservoirs de 100 livres (45 kg)
32°F (0°C) to 20°F (-6.7°C)	2
20°F (-6.7°C) to -10°F (-23.3°C)	3
En dessous de -10°F (-23.3°C)	(Se servir d'un réservoir plus grand)

Moins de gaz est vaporisé à des températures plus basses. Vous aurez peut être besoin de deux ou plus réservoirs de 100 livres (45 kg) ou d'un réservoir plus grand lors de températures très froides. Votre fournisseur local de gaz Propane/GPL vous aidera à sélectionner le bon système d'alimentation. Les appareils de chauffage sont certifiés pour fonctionner jusqu'à une température ambiante minimum de -20° F (-29° C).



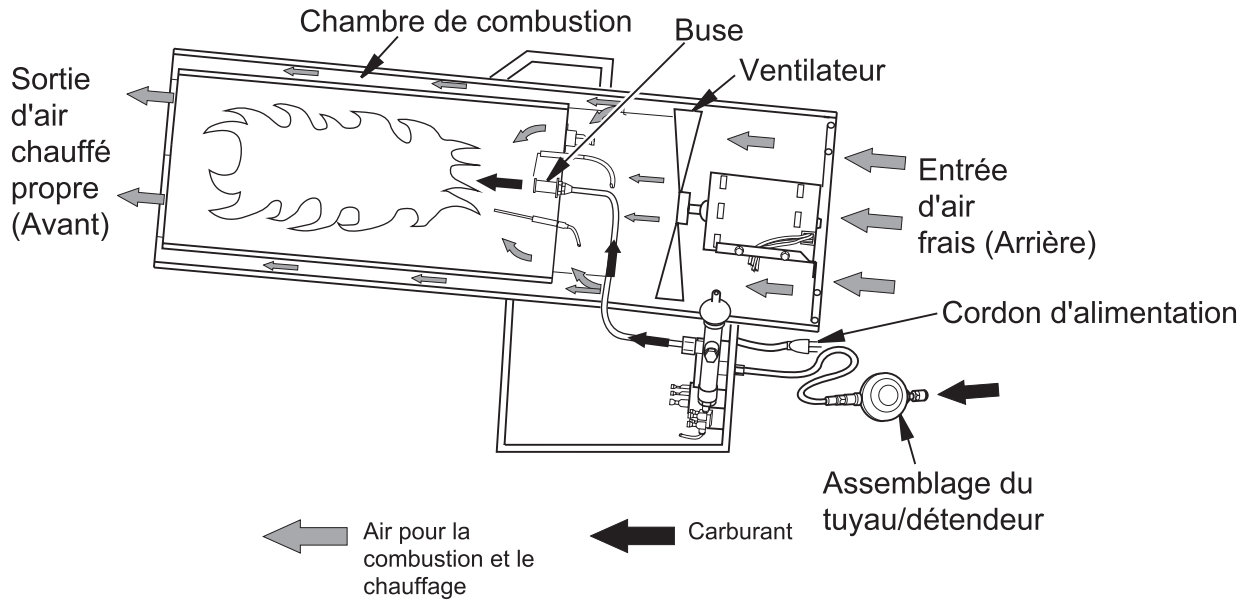
THÉORIE DE FONCTIONNEMENT

Système d'alimentation en carburant: L'assemblage du tuyau/détendeur est relié à l'alimentation de gaz Propane/GPL. Le gaz Propane/GPL se déplace à travers le bouton de commande et sort par la buse.

Le système d'admission d'air: Le moteur fait tourner le ventilateur. Le ventilateur pousse l'air à l'intérieur et autour de la chambre de combustion. L'air est chauffé et fournit un courant d'air propre et chaud.

Le circuit d'allumage : Le transformateur d'allumage et l'allumeur allument le brûleur principal.

Le système de contrôle de sécurité: Ce système provoque l'arrêt de l'appareil de chauffage en cas d'extinction de la flamme.



Installation

INSTALLATION

IMPORTANT: Revoir et comprendre les avertissements de la partie Information de Sécurité. Ils sont requis pour faire fonctionner cet appareil de chauffage sans danger. Se conformer à tous les règlements et codes locaux lors de l'utilisation de cet appareil de chauffage.

AVERTISSEMENT : **TESTER TOUTE LA TUYAUTERIE ET TOUS LES RACCORDS AFIN DE S'ASSURER QU'IL N'Y A AUCUNE FUITE APRÈS L'INSTALLATION OU L'ENTRETIEN. NE JAMAIS SE SERVIR D'UNE FLAMME NUE POUR TROUVER UNE FUITE. APPLIQUER UN MÉLANGE D'EAU ET DE SAVON LIQUIDE À TOUS LES JOINTS. L'APPARITION DE BULLES INDIQUE UNE FUITE. RECTIFIER TOUTES LES FUITES IMMÉDIATEMENT.**

1. Fournir le système d'alimentation en propane (voir Alimentation en Propane).
2. Raccorder l'ajustage du connecteur de gaz combustible de l'assemblage du tuyau/détendeur au/aux réservoirs de Propane/GPL. Tourner dans le sens contraire des aiguilles d'une montre dans le filetage de la valve du réservoir. Serrer solidement en se servant d'une clé.

IMPORTANT: Serrer le détendeur en s'assurant que la bouche d'aération est orientée vers le bas. Le fait d'orienter la bouche d'aération vers le bas protège le détendeur de dégâts dus aux intempéries. (Fig. 1)

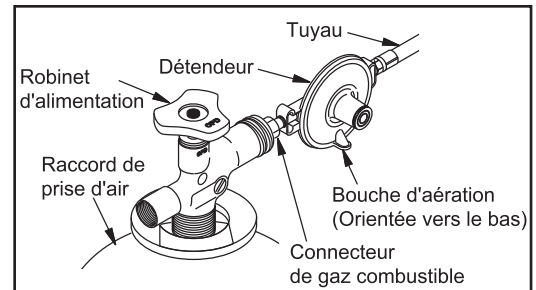
3. Raccorder le tuyau au raccord de la prise d'air. Serrer solidement en se servant d'une clé. (Fig. 2)

IMPORTANT: De la tuyauterie ou du tuyau supplémentaire peuvent être utilisés si nécessaire. Installer le tuyau ou la tuyauterie supplémentaire entre l'assemblage du tuyau/détendeur et le réservoir de Propane/GPL. Vous devez vous servir du détendeur fourni avec l'appareil de chauffage.

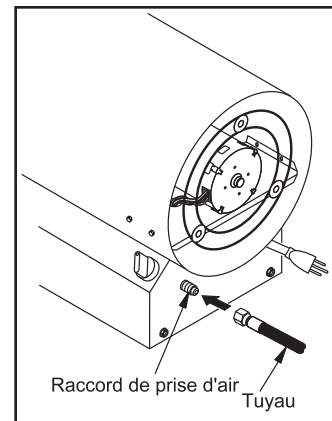
4. Ouvrir lentement le robinet d'alimentation de propane du/des réservoir(s) de Propane/GPL.

Note: Si le robinet d'alimentation n'est pas ouvert lentement, le clapet d'excès de débit du réservoir de Propane/GPL coupera l'alimentation en gaz. En ce cas, fermer le robinet d'alimentation de Propane et le rouvrir lentement.

5. Vérifier tous les raccords afin de s'assurer qu'il n'y a pas de fuites.
6. Fermer le robinet d'alimentation de Propane.



(Fig. 1)



(Fig. 2)

Fonctionnement

FONCTIONNEMENT

AVERTISSEMENT: **RESPECTER LES NORMES MINIMALES DE VENTILATION DES LOCAUX. SI UNE VENTILATION ADÉQUATE PAR APPORT D'AIR FRAIS EXTÉRIEUR N'EST PAS ASSURÉE, UNE INTOXICATION À L'OXYDE DE CARBONE EST POSSIBLE. CET APPORT D'AIR FRAIS DOIT AUSSI ÊTRE ASSURÉ AVANT MÊME LE DÉMARRAGE DE L'APPAREIL DE CHAUFFAGE.**

POUR DÉMARRER L'APPAREIL DE CHAUFFAGE:

1. Respecter toutes les consignes de ventilation et de sécurité.
2. Placer l'appareil de chauffage de façon à fournir une circulation d'air chaud maximale. Suivre toutes les exigences d'emplacement précisées sous la rubrique d'Information de Sécurité.

Fonctionnement

FONCTIONNEMENT

- Placer l'appareil de chauffage sur une surface stable et plane. S'assurer que des courants d'air forts ne soufflent pas dans l'avant ou l'arrière de l'appareil de chauffage.
- S'assurer que le bouton de commande est en position d'arrêt (OFF).
- Brancher le cordon d'alimentation de l'appareil de chauffage dans une rallonge électrique trifilaire avec mise à la terre. La rallonge électrique doit mesurer au moins 6 pieds (1,80 m), être de classe UL/CSA et de section suffisante. Voir le tableau de rallonge électrique.
- Brancher la rallonge électrique dans une prise de courant à trois branches de 120 volts/60 hertz avec mise à la terre. Le moteur démarrera. Le ventilateur se mettra à tourner et forcera l'air à sortir par l'avant de l'appareil de chauffage.
- Ouvrir lentement le robinet d'alimentation en propane du/des réservoir(s) de propane/GPL.

Note: Si le robinet d'alimentation n'est pas ouvert lentement, le clapet d'excès de débit sur le réservoir de propane/GPL coupera l'alimentation en gaz. Vous entendrez peut être un déclic provenant du clapet d'excès de débit qui se ferme. En ce cas, réenclencher le clapet d'excès de débit en fermant le robinet d'alimentation en propane/GPL et le rouvrir lentement.

- Pousser et continuer d'appuyer sur le bouton de commande. Tourner dans le sens inverse des aiguilles d'une montre jusqu'à la position BAS (low). L'appareil de chauffage devrait s'allumer en quelques secondes.

Note : Si l'appareil de chauffage ne s'allume pas, il se peut qu'il y ait de l'air dans le tuyau. En ce cas, continuer d'appuyer sur le bouton de commande et attendre 20 secondes. Relâcher le bouton de commande et attendre 20 secondes pour que le combustible résiduel s'évacue de l'appareil de chauffage. Répéter l'étape 8.

- Attendre 30 secondes après l'allumage de l'appareil de chauffage. Ceci déclenche le système de contrôle automatique. Relâcher le bouton de commande.
- Quand le brûleur reste allumé, mettre l'appareil de chauffage à la température désirée en tournant le bouton de commande dans le sens inverse des aiguilles d'une montre. Si le brûleur s'éteint, fermer le gaz. Tourner complètement le bouton de commande jusqu'à la position la plus basse. Vérifier l'approvisionnement en combustible. Si l'approvisionnement en combustible est suffisant, redémarrer l'appareil de chauffage en commençant par l'étape 1.

POUR ARRÊTER L'APPAREIL DE CHAUFFAGE :

- Bien fermer le robinet d'alimentation en propane du/des réservoir(s) de Propane/GPL.
- Attendre quelques secondes. L'appareil de chauffage va brûler le gaz qui reste dans les tuyaux d'alimentation.
- Tourner le bouton de commande jusqu'à la position d'arrêt (OFF).
- Débrancher l'appareil de chauffage.

Exigences des dimensions de rallonge électrique

Longueur rallonge:	Calibre AWG de la rallonge:
51 à 100 pieds (15.5 à 30.48 m)	16 AWG
101 à 200 pieds (30.78 à 60.96 m)	14 AWG

Dépannage



AVERTISSEMENT : HAUTE TENSION. NE JAMAIS FAIRE L'ENTRETIEN DE L'APPAREIL DE CHAUFFAGE PENDANT QU'IL EST BRANCHÉ, EN MARCHÉ OU CHAUD. DES BRÛLURES GRAVES ET DES DÉCHARGES ÉLECTRIQUES POURRAIENT EN RÉSULTER.

Symptôme	Problème	Solution
Le ventilateur ne tourne pas quand l'appareil de chauffage est branché.	Pas de courant se rendant à l'appareil de chauffage	Vérifier que la prise électrique émet du courant. Si la tension est bonne, vérifier que le cordon d'alimentation de l'appareil de chauffage n'a pas de coupures.
	Le ventilateur frappe l'intérieur de la coque de l'appareil de chauffage.	Régler le support du moteur/ventilateur pour éviter que le ventilateur frappe l'intérieur de la coque de l'appareil de chauffage.
	Les pales du ventilateur sont tordues.	Remplacer le ventilateur.
	Moteur défectueux.	Remplacer le moteur.
L'appareil de chauffage ne s'allume pas.	L'utilisateur n'a pas bien suivi les consignes d'installation ou de fonctionnement.	Répéter les consignes d'installation et de fonctionnement.
	Pas d'étincelle au niveau de l'allumeur. Pour voir si des étincelles sont présentes, voir la rubrique "Entretien: Allumeur" et suivre l'étape 8. Si une étincelle est présente au niveau de l'allumeur, faire entretenir l'appareil de chauffage par une personne qualifiée. Si aucune étincelle n'est présente:	
	a. Fil d'allumage desserré ou débranché.	a. Examiner le fil d'allumage. Resserrer ou rattacher le fil d'allumage desserré. Voir "Entretien: Transformateur d'allumage" pour l'emplacement du fil d'allumage.
	b. Mauvais écartement des pointes.	b. Régler l'écartement entre l'électrode de l'allumeur et la buse à .13"/.15" (3.3/3.8 mm.)
	c. Electrode de l'allumeur défectueux.	c. Remplacer l'électrode de l'allumeur. Voir "Entretien: Allumeur."
d. Transformateur d'allumage défectueux.	d. Remplacer le transformateur d'allumage. Voir "Entretien: Transformateur d'allumage."	



AVERTISSEMENT : HAUTE TENSION. NE JAMAIS FAIRE L'ENTRETIEN DE L'APPAREIL DE CHAUFFAGE PENDANT QU'IL EST BRANCHÉ, EN MARCHÉ OU CHAUD. DES BRÛLURES GRAVES ET DES DÉCHARGES ÉLECTRIQUES POURRAIENT EN RÉSULTER.

Symptôme	Problème	Solution
L'appareil de chauffage s'arrête lors du fonctionnement	L'alimentation en Propane/GPL est insuffisante.	a. Remplir le réservoir. b. Utiliser des réservoirs supplémentaires et/ou plus grands. Voir "Préparation: Alimentation en Propane."
	Le thermocouple limiteur arrête l'appareil de chauffage en cas de température ambiante élevée.	Ceci peut arriver quand l'appareil de chauffage fonctionne dans des températures plus élevées que 85° F (30° C). Utiliser l'appareil de chauffage dans des températures plus basses.
	Débit d'air limité.	Vérifier l'entrée et la sortie de l'appareil de chauffage. Retirer toutes obstructions.
	Ventilateur endommagé.	Remplacer le ventilateur. Voir "Entretien: Ventilateur."
	Poussière et débris excessifs dans la zone environnante.	Nettoyer l'appareil de chauffage. Voir "Entretien."
L'appareil de chauffage émet une odeur.	⚠ AVERTISSEMENT: N'utiliser que dans des endroits libres de haute concentration de poussière.	
	Fuite de gaz.	Inspecter tous les raccords à la recherche de fuites. Appliquer un mélange d'eau et de savon liquide aux raccords de gaz. L'apparition de bulles indique une fuite qui doit être réparée.
	L'appareil de chauffage fonctionne avec un réservoir de Propane/GPL de 20 livres (9 kg). Une quantité de gaz Propane/GPL insuffisante sera fournie par un réservoir de 9 kg (20 livres) résultant en une odeur.	Pour obtenir un mélange correct de gaz Propane/GPL et d'air, utiliser un réservoir plus gros, c-à-d de 18 kg (40 lbs) (minimum) ou de 45 kg (100 lbs.) Voir "Préparation: Alimentation en Propane."
	Le réservoir d'alimentation en Propane/GPL "gèle". La consommation de propane et son taux d'évaporation sont trop importants pour la taille du réservoir et la température ambiante.	a. Utiliser un réservoir d'alimentation plus gros, c-à-d de 18 kg (40 lbs) (minimum) ou de 45 kg (100 lbs). b. Réduire le taux de consommation en utilisant temporairement l'appareil de chauffage à son réglage le plus bas jusqu'à ce que le gel disparaisse du réservoir.

Entretien

ENTRETIEN:



AVERTISSEMENT : AFIN D'ÉVITER LES RISQUES DE BRÛLURES ET DE DÉCHARGES ÉLECTRIQUES, NE JAMAIS TENTER DE FAIRE L'ENTRETIEN DE L'APPAREIL DE CHAUFFAGE PENDANT QU'IL EST BRANCHÉ, EN MARCHÉ OU CHAUD.

S'ASSURER QUE LA ZONE OÙ SE TROUVE L'APPAREIL DE CHAUFFAGE EST LIBRE DE TOUTE SUBSTANCE COMBUSTIBLE, D'ESSENCE ET D'AUTRES LIQUIDES ET VAPEURS INFLAMMABLES.

NE PAS BLOQUER LA CIRCULATION DES PRODUITS DE COMBUSTION OU LA VENTILATION D'AIR.

1. L'appareil de chauffage doit rester propre. Nettoyer l'appareil de chauffage annuellement ou au besoin pour enlever la poussière et les débris. Si l'appareil de chauffage est sale ou poussiéreux, le nettoyer avec un chiffon humide. Utiliser un produit de nettoyage ménager sur les endroits difficiles.
2. Inspecter l'appareil de chauffage avant chaque utilisation. Vérifier tous les raccords afin de s'assurer qu'il n'y a pas de fuites. Appliquer un mélange d'eau et de savon liquide aux raccords. L'apparition de bulles indique une fuite. Réparer toutes les fuites immédiatement.
3. Inspecter l'assemblage du tuyau/détendeur avant chaque utilisation. Si le tuyau est très usé ou entaillé, le remplacer par un tuyau spécifié par le fabricant.
4. Faire inspecter l'appareil de chauffage annuellement par un centre de service qualifié.
5. S'assurer que l'intérieur de l'appareil de chauffage ne contient aucune substance combustible et aucun corps étranger. Enlever le moteur et autres composants internes si nécessaire pour nettoyer l'intérieur de l'appareil de chauffage.
6. Nettoyer les pales du ventilateur chaque saison ou au besoin.

ENTRETIEN (SUITE)

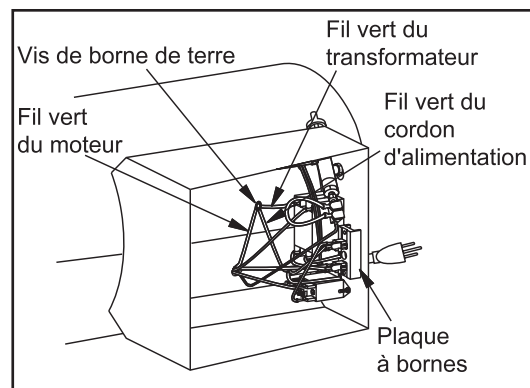
⚠ AVERTISSEMENT : NE JAMAIS FAIRE L'ENTRETIEN DE L'APPAREIL DE CHAUFFAGE PENDANT QU'IL EST BRANCHÉ, CONNECTÉ À L'ALIMENTATION EN PROPANE/GPL, EN MARCHÉ OU CHAUD. DES BRÛLURES GRAVES ET DES DÉCHARGES ÉLECTRIQUES POURRAIENT EN RÉSULTER.

MOTEUR :

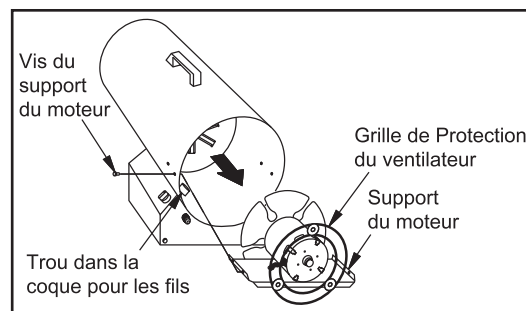
1. Enlever le panneau inférieur en plaçant l'appareil de chauffage sur son côté.
2. Accéder à la vis de borne de terre par le dessous de la base de l'appareil de chauffage. Enlever la vis de borne de terre. Débrancher le fil vert du moteur et le fil vert du cordon d'alimentation du dessous de la coque (Fig.3).
3. Retirer les fils noirs et blancs du moteur de la plaque à bornes (Fig. 3).
4. Pousser les fils du moteur avec précaution à travers le trou de la partie inférieure de la coque.
5. Retirer les vis attachant le support du moteur à la coque. Se servir d'un tourne-écrou (Fig.4).
6. Retirer avec précaution le moteur et le ventilateur de la coque.

IMPORTANT : Faire attention à ne pas endommager le ventilateur. Ne poser pas le moteur et son ventilateur de telle sorte que tout le poids repose sur ce dernier. Ceci pourrait déformer l'angle des pales.

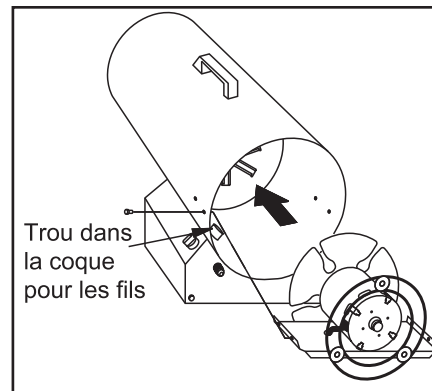
7. Utiliser une clé Allen pour desserrer la vis de fixation du ventilateur sur l'arbre moteur.
8. Retirer le ventilateur. Faire attention à ne pas endommager l'angle des pales du ventilateur.
9. Utiliser le tourne-écrou pour enlever les deux écrous qui attachent le moteur au support du moteur.
10. Se débarrasser du vieux moteur.
11. Fixer le moteur au support du moteur avec les deux écrous. Serrer les écrous solidement.
12. Remettre le ventilateur sur l'arbre du moteur. S'assurer que l'embout de la vis de fixation est bien en contact avec la partie plate de l'arbre du moteur.
13. Serrer solidement la vis de fixation (40-50 pouce-livres [46.08-57.60 kilos-centimètres]).
14. Acheminer les fils du moteur avec précaution par le trou de la coque (Fig.5). Replacer le moteur, le support du moteur et la grille de protection du ventilateur dans l'arrière de la coque de l'appareil de chauffage.
15. Insérer les vis à travers la coque de l'appareil de chauffage et dans le support du moteur. Serrer les vis solidement.
16. Mettre l'appareil de chauffage sur son côté afin d'accéder à l'ouverture au fond de la base. Brancher les fils verts du moteur, du transformateur et du cordon d'alimentation à la coque de l'appareil de chauffage en vous servant de l'écrou de borne de terre (Fig.3).
17. Relier les fils noirs et blancs à la plaque à bornes (voir "Schéma du câblage" pour les emplacements corrects).
18. Remettre le panneau inférieur.



(Fig. 3)



(Fig. 4)



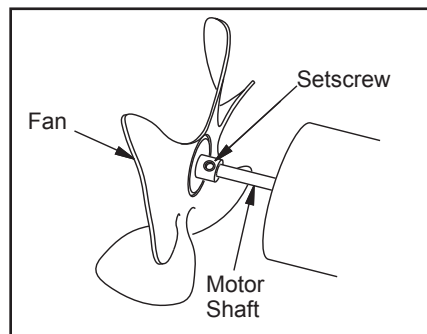
(Fig. 5)

ENTRETIEN (SUITE)**VENTILATEUR:**

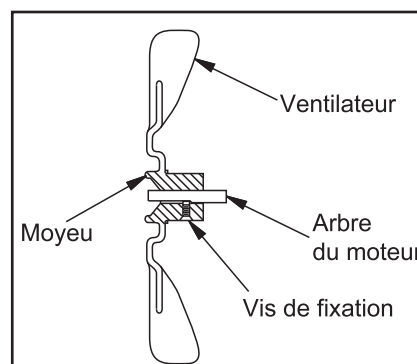
1. Retirer le moteur, le support du moteur et le ventilateur (voir "Entretien : Moteur", étapes 1 à 8).
2. Nettoyer le ventilateur à l'aide d'un linge doux légèrement mouillé avec du kérosène ou du solvant.
3. Sécher complètement le ventilateur.
4. Replacer le ventilateur sur l'arbre du moteur. S'assurer que l'embout de la vis de fixation est bien en contact avec la partie plate de l'arbre du moteur (Fig. 6 et 7).
5. Placer la vis de fixation sur la partie plate de l'arbre. Serrer la vis de fixation solidement (40-50 pouce-livres / 46.08-57.60 kilos-centimètres).
6. Replacer le moteur, le support du moteur et la grille de protection du ventilateur dans l'arrière de la coque de l'appareil de chauffage (voir "Entretien: Moteur", étapes 14 à 18).

TRANSFORMATEUR D'ALLUMAGE:

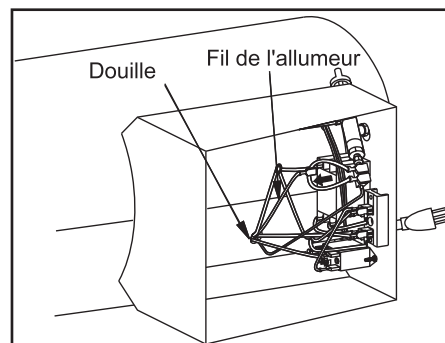
1. Retirer le panneau inférieur.
2. Repérer et débrancher les fils blancs, noirs et oranges du transformateur d'allumage. (Fig. 8)
3. Retirer les deux vis qui attachent le transformateur d'allumage au panneau inférieur. Retirer les écrous à tôle du transformateur et installer le nouveau transformateur. Se débarrasser du transformateur d'allumage.
4. Installer le nouveau transformateur d'allumage. Le positionner de la même manière que l'ancien transformateur.
5. Raccorder les fils blancs, noirs et oranges au nouveau transformateur d'allumage. Brancher les fils aux bonnes bornes comme vous l'avez noté dans l'étape 2.
6. Replacer le panneau inférieur.



(Fig. 6)



(Fig. 7)



(Fig. 8)

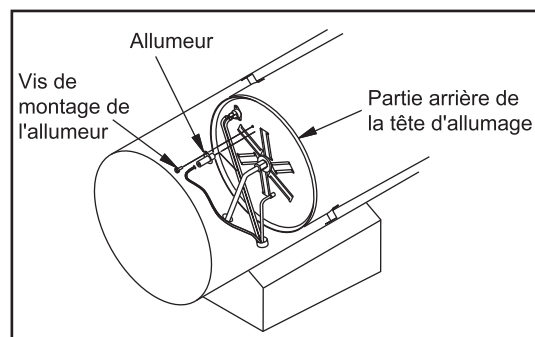
ENTRETIEN (SUITE)**ALLUMEUR :**

1. Retirer le moteur, le support du moteur et la grille de protection du ventilateur (voir "Entretien: Moteur", étapes 1 à 6).
2. Retirer le fil orange d'allumage de l'allumeur.
3. Retirer la vis de montage de l'allumeur de la partie arrière de la tête d'allumage en utilisant un tourne-écrou ou un tournevis standard (Fig. 9).
4. Retirer l'allumeur de la partie arrière de la tête d'allumage.
5. Installer le nouvel allumeur. Attacher l'allumeur à la partie arrière de la tête d'allumage avec la vis de montage de l'allumeur.
6. Attacher le fil d'allumage.
7. Vérifier que l'écartement entre l'électrode de l'allumeur et le buse est de $.13"/.15"$ (3.3/3.8 mm) (Fig. 10).
8. Faire un test vérifiant la présence d'étincelles. Brancher dans une rallonge et s'assurer qu'il y a une étincelle entre l'électrode de l'allumeur et la buse.

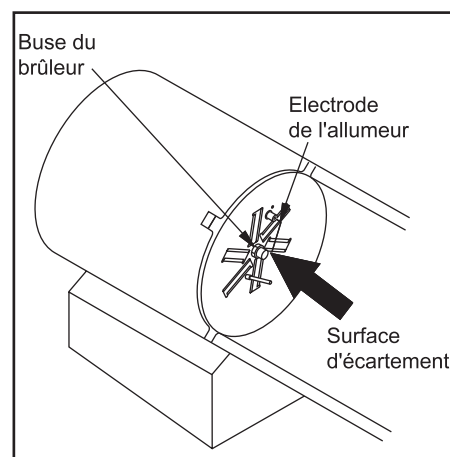


AVERTISSEMENT : S'ASSURER QUE L'APPAREIL DE CHAUFFAGE N'EST PAS BRANCHÉ À L'ALIMENTATION EN PROPANE. L'APPAREIL DE CHAUFFAGE POURRAIT S'ENFLAMMER ET OCCASIONNER DES BRÛLURES GRAVES.

9. Replacer le moteur, le support du moteur et la grille de protection du ventilateur dans l'arrière de la coque de l'appareil de chauffage (voir "Entretien: Moteur", étapes 14 à 18).



(Fig. 9)



(Fig. 10)

Entreposage



ATTENTION: DÉBRANCHER L'APPAREIL DE CHAUFFAGE DU/DES RÉSERVOIR(S) D'ALIMENTATION EN PROPANE/GPL.

1. Entreposer le/les réservoir(s) de Propane/GPL d'une façon sûre. Consulter le Chapitre 5 de La Norme pour l'Entreposage et la Manipulation du Gaz de Pétrole Liquéfié, ANSI/NFPA 58 et le Code d'Installation de Propane, CAN/CGA B149.2. Respecter tous les codes locaux. Entreposer toujours les réservoirs de Propane/GPL à l'extérieur.
2. Placer des capuchons protecteurs en plastique sur les raccords en laiton du raccord de la prise d'air et de l'assemblage du tuyau/détendeur.
3. Entreposer dans un endroit sec, propre et sûr. Ne pas entreposer l'assemblage du tuyau/détendeur dans la chambre de combustion de l'appareil de chauffage.
4. Vérifier toujours l'intérieur de l'appareil de chauffage après l'avoir entreposé. Il se peut que des insectes et petits animaux aient déposé des corps étrangers dans l'appareil de chauffage. S'assurer que l'intérieur de l'appareil de chauffage reste libre de tout combustible et corps étrangers.

Caractéristiques

ARTICLE	SPECIFICATION		
Taille du modèle	AC-100LP		
Puissance de sortie (BTU/Heure)	65,000	85,000	100,000
Combustible	Propane Vaporisé Seulement		
Consommation de combustible (gallons par heure/Litres par heure) (livres par heure/Kilogrammes par heure)	0.7 / 2.65 3.0 / 1.36	0.9 / 3.52 3.9 / 1.77	1.1 / 4.16 4.6 / 2.09
Pression d'alimentation du détendeur Minimum (pour le réglage de la pression d'admission) Maximum	10 PSI / 65.98 kPa Pression du réservoir		
Pression de sortie du détendeur	Programmé en usine		
Pression du collecteur	10" WC / 25.4 cm		
Sortie d'air chaud (approx.)	475 CFM / 144.78 mètre cube/minute		
Régime du moteur (tour/minute)	3200		
Puissance du moteur (HP)	1/10		
Alimentation électrique	120V / 60Hz		
Ampérage (fonctionnement normal)	2.9		
Allumage	Continu		
Ecartement de l'allumeur	0.13 in / 0.15 in (3.3 mm / 3.8 mm)		
Poids d'expédition (approximatif en livres/kilos)	29 / 13.15		
Poids de l'appareil de chauffage (approximatif en livres/kilos)	23 / 10.43		

NOTER LE NUMÉRO DE SÉRIE

Noter ci-dessous le numéro de modèle ainsi que le numéro de série et la date d'achat de votre appareil. Votre concessionnaire a besoin de ces renseignements lors des commandes de pièces

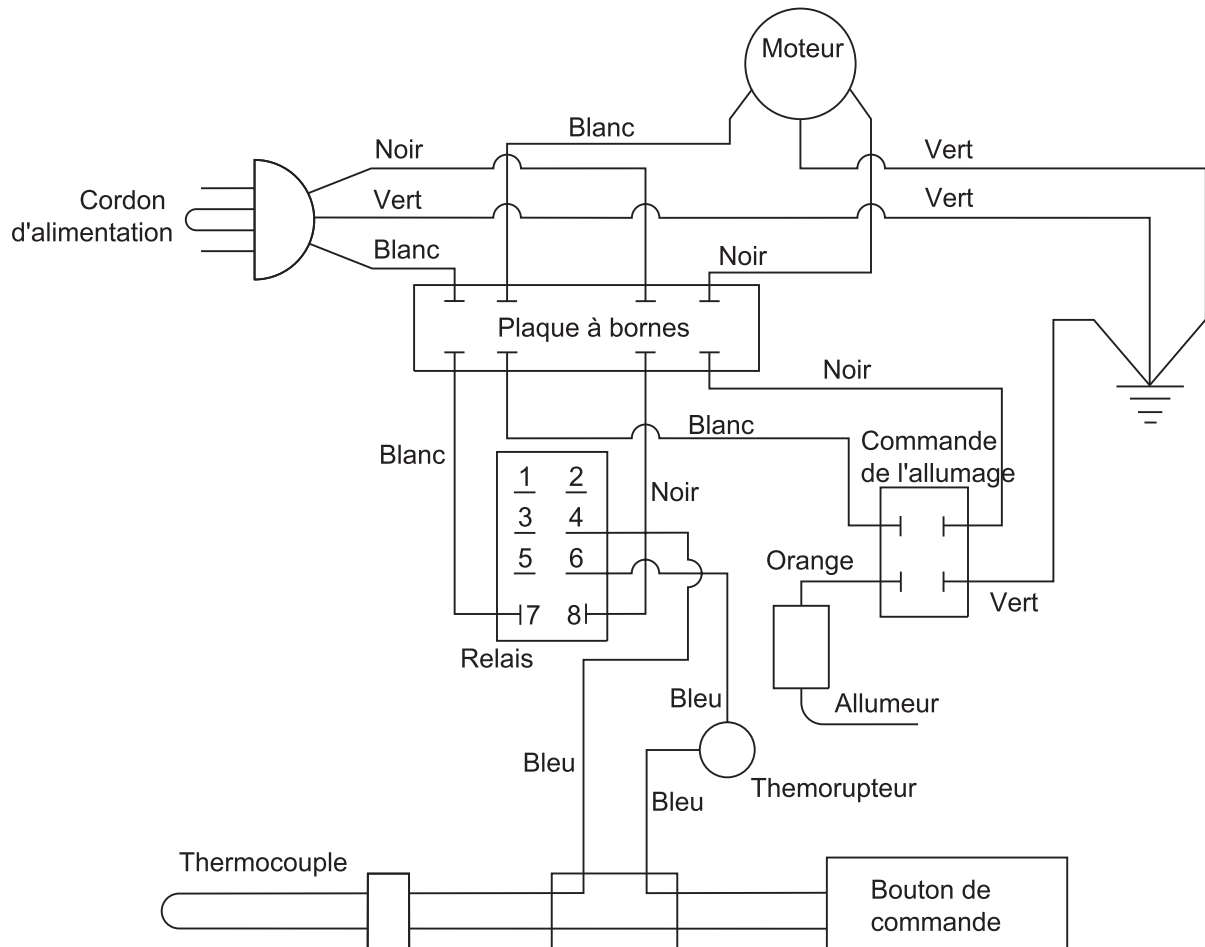
Numéro de modèle _____

Numéro de série _____

Date d'achat _____

(À remplir par l'acheteur)

Schéma de câblage



CONDITIONS DE LA GARANTIE

John Deere garantit toutes les pièces (à l'exception de celles stipulées ci-dessous), de votre nouveau appareil de chauffage sans carburant en cas de défauts de matériaux et de fabrication pendant les périodes suivantes:

Pendant un (1) année à partir de la date d'achat initiale.

Les pièces défectueuses ne résultant pas d'une usure normale seront réparées ou remplacées à notre choix pendant la période de garantie. Quoi qu'il arrive, le remboursement est limité au prix d'achat.

PIECES EXCLUES DE LA GARANTIE

1. Cette garantie ne couvre pas les pièces endommagées par l'usure normale, une mauvaise utilisation, une utilisation abusive ou un fonctionnement autre que recommandé. La garantie ne couvre pas les dégâts provoqués par un mauvais suivi des procédures de fonctionnement et d'entretien .
2. L'utilisation de pièces de réparation autres que celles d'origine annule la garantie.
3. La garantie sera annulée si l'appareil est utilisé pour tout autre usage que consommateur/propriétaire. Les pièces renvoyées en port payé, à notre usine ou à un centre de réparation John Deere agréé seront inspectées et remplacées gratuitement si elles s'avèrent être défectueuses et couvertes par la garantie. Il n'existe aucune garantie prolongeant les dates d'expiration stipulées ci-dessus. Le fabricant n'est en aucun cas responsable des pertes d'usage, de temps ou de location, des dérangements causés, des pertes commerciales ou des dommages qui en résultent.

Pour toute question de service ou de garantie, s'adresser à
Mi-T-M Corporation, 8650 Enterprise Drive, Peosta, IA 52068-0050
Tél.: JD-KLEEN (1-877-535-5336) Fax 563-556-1235
Du lundi au vendredi de 8h00 à 17h00, heure centrale

Note

Introducción

Gracias por comprando este John Deere producto.

Lea este manual con cuidado para aprender como operar y heacerie servicao su máquina correcto. Falla resultaría en lesiones personales o daño a equipo. Este el manual y muestras de seguridad en su máquina pueden también estar disponibles en otras idiomas. (véase a su distribuidor de John Deere para ordenar)

Este manual debe considerar una parte permanente de su máquina y debe quedar con máquina cuando venderla.

Medidas en este manual se dan en sistema métrico y en equivalentes de unidades de Estado Unidos. Use sólo partes y cierres de reemplazar correctos. Cierres métricos y pulgadas necesitarian un tirón especial de métrico o pulgada.



ADVERTENCIAS DE SEGURIDAD:

LEA ESTE MANUAL DEL PROPIETARIO CUIDADOSA Y COMPLETAMENTE ANTES DE INTENTAR ENSAMBLAR, OPERAR O DAR SERVICIO A ESTE CALENTADOR. EL USO INADECUADO DE ESTE CALENTADOR PUEDE CAUSAR LESIONES GRAVES O LA MUERTE POR QUEMADURAS, INCENDIO, EXPLOSIÓN, ELECTROCUCIÓN E INTOXICACIÓN CON MONÓXIDO DE CARBONO.

ASEGÚRESE DE LEER Y COMPRENDER TODAS LAS ADVERTENCIAS. CONSERVE ESTE MANUAL PARA REFERENCIA. ES SU GUÍA PARA UN FUNCIONAMIENTO SEGURO Y CORRECTO DE ESTE CALENTADOR.



ADVERTENCIA: INCENDIO, QUEMADURA, INHALACION, Y RIESGO DE EXPLOSION. MANTENGA COMBUSTIBLES SOLIDOS COMO MATERIAS DE CONSTRUIR, PAPEL O CARTON, UNA DISTANCIA SEGURA AFUERA DE CALENTADOR COMO RECOMIENDE DE INSTRUCCIONES. NUNCA USE CALENTADOR EN SPACIOS QUE TIENEN O PUEDEN TENER COMBUSTIBLES O PRODUCTOS VOLATILES O AIREADOS COMO GASOLINA, SOLVENTOS REBAJADOR DE PINTA, ESCOMBOS, QUIMICAS DESCONOCIDOS.



ADVERTENCIA: NO USES PARA CASA O VEHICULO DE RECREO.

El número de serie está situada en sección de especificaciones o números de identificación. Escriba correcta todos números para ayndaría en encontrar la máquina si sea robado. Su concesionario también necesite estos números cuando ordenaría partes. Ponga números de identificación en lugar seguro atuera de máquina.

Garantía provece de concesionario John Deere para quien opere y mantenga su equipo como descrito en este manual. Este manual está explicado en certificado de garantía que se vea en este manual.

Esta garantía provece la seguridad que su concesionario John Deere daría garantía de productos donde defectos aparecen durante tiempo de garantía. Debe abusar al equipo o cambios para modificar la función atrás de especificaciones de fabrica la garantía será vacío.

Este calentador sea diseño para uso en acuerdo con ANSI-283./CGA2.14. Otros estandares gobierna el uso de gases de combustible y productos de calentar para usos específicos. Su administración local puede le avisar sobre estos. Los propósitos primeros de calentadores de construcción es para provecer calor temporal de edificios que están en construcción, alteración, o reparamiento. Si uso correcto, el calentador provece calor seguro y economico. Los productos de la combustión se descarga en el área para sea calentado.

Nosotros no podemos prever cada uso que puede estar hecho de nuestros calentadores. **HABLE CON SU ADMINISTRACION LOCAL DE SEGURIDAD DE FUEGO SI TIENE PREGUNTAS DEL USO DE CALENTADOR.**

Otros estandares gobierna el uso de gases de combustible y productos de calentar para usos específicos. Su administración local puede le avisar sobre estos.

El gas de propano es inodoro. Un agente que hace olor agrega a gas de propano. El olor le ayuda detectar un agujero de gas de propano. Sin embargo, el olor que agregó a propano puede apagarse. El gas propano puede estar presente aunque no existe el olor.

Instale y use calentador con cuidado. Siga todas ordenanzas y los códigos locales. En ausencia de ordenanzas y códigos locales, refiérase al Estandar para Almacenamiento y Manejo de Gases licuados del petróleo, ANASI/NFPA 58 y Código de Instalación de Propano, CAN/CGA B149.2. Este enseña en almacenamiento y manejo seguro de gases de propano.



ADVERTENCIA

Este producto contiene y/o genera químicos que el Estado de California reconoce que causan cáncer, defectos de nacimiento u otros daños relacionados con la reproducción.

Materias

	Página
Seguridad	48
Mandos	53
Preparando	54
Instalación	56
Operación	56
Localización de fallas	58
Servicio	60
Almacenamiento	63
Especificaciones	64
Diagrama de Alambre	65
Garantía	66
Nota	67

Toda información, ilustraciones, y especificaciones en este manual se basa en información lo último que disponible al tiempo de publicación. Se reserva el dercho de efectuar cambios sin previo aviso.

Seguridad

RECONOZCA INFORMACIÓN DE SEGURIDAD

Este es el símbolo de alerta de seguridad. Cuando mire este símbolo en la máquina o manual, sea alerta de posibilidad o potencia de graves personales.

Siga precauciones recomendables y prácticas de operación.



COMPRENDA PALABRAS DE ALERTAS

Una palabra de alerta -- Peligro, Advertencia, Precaución -- se usa con el símbolo de alerta de seguridad. Peligro indica la situación más seria.

Señales de seguridad como PELIGRO y ADVERTENCIA está situada cerca de riesgos específicos. Precauciones generales están en una lista en las señales de seguridad precaución a mensajes de seguridad en este manual.

 **PELIGRO**

 **ADVERTENCIA**

 **PRECAUCION**

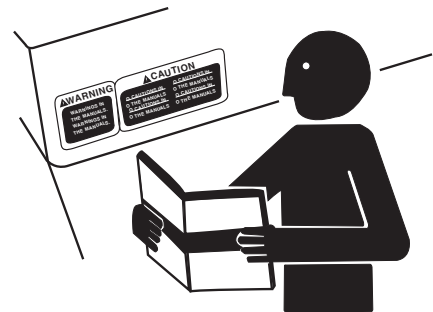
SIGA LAS INSTRUCCIONES DE SEGURIDAD

Lea con cuidado todos mensajes de seguridad en este manual y en las señales de seguridad en máquina. Mantengase señales de seguridad en condición bueno. Reemplace desaparecidos o señales de seguridad con daño. Asegurese que componentes nuevos de equipo y partes de reparación incluir las señales de seguridad último. Señales de seguridad para reemplace son disponibles de su concesario.

Lea este manual del propietario cuidadosa y completamente antes de intentar ensamblar, operar o dar servicio a este calentador. El uso inadecuado de este calentador puede causar lesiones graves o la muerte por quemaduras, incendio, explosión, electrocución e intoxicación con monóxido de carbono.

Asegúrese de leer y comprender todas las advertencias. Conserve este manual para referencia. Es su guía para un funcionamiento seguro y correcto de este calentador.

Aprenda como operar la máquina y como usar los mandos correcta. No permita nadie para operar sin instrucciones.



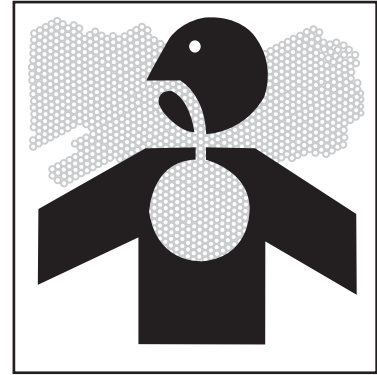
MONÓXIDO DE CARBONO- GAS VENENOSO



PELIGRO: ¡LA INTOXICACIÓN CON MONÓXIDO DE CARBONO PUEDE SER MORTAL!

Exhausto de calentador contiene monóxido de carbono- un gas venenoso que puede matarle. No puede oler o ver este gas.

Intoxicación con monóxido de carbono: los síntomas iniciales de la intoxicación con monóxido de carbono son semejantes a los de la gripe, con dolores de cabeza, mareos y/o náusea. Si usted presenta estos síntomas, es posible que el calentador no esté funcionando correctamente. ¡Respire aire fresco inmediatamente! Haga que reparen el calentador. El monóxido de carbono afecta más a algunas personas que a otras. Las más afectadas incluyen mujeres embarazadas, personas con enfermedades del corazón o de los pulmones o anemia, aquellas bajo la influencia del alcohol y aquellas a elevadas alturas.



Nunca use calentador en espacios cerrados o parcialmente cerrados sin apropiado ventilación. Úsese solamente en áreas bien ventiladas. Antes de usar el calentador, procure tener una abertura de cuando menos 2 800 cm² (3 pies²) para el aire fresco exterior por cada 30 kw (100 000 BTU/h) de servicio nominal. Calentadores puede producir niveles altos de monóxido de carbono muy rápido. Cuando use un calentador, recuerde que no puede oler o ver monóxido de carbono. Aunque si no pueda oler gases de exhausto, puede exponerle a monóxido de carbono.

Si empieza sentir enfermo, mareo, o débil cuando usando calentador, vaya adentro PRONTO. NO RETRASE. Monóxido de carbono de generadores puede llevar rápidamente a todo incapacitado y muerte.

Si tenga síntomas serios, tenga atención médica inmediatamente. Diga empleados médicos que sospechar de venenoso de monóxido de carbono. Si tenga síntomas mientras adentro diga alguien llamar el departamento de fuegos para determinar cuando seguro para entrar otra vez el edificio.

NUNCA opere calentador en atmósfera explosivo, cerca materias combustibles o donde ventilación no es suficiente para llevar gases de exhausto afuera. Gases de exhausto puede causar lesiones graves o muerte.

NUNCA use calentador adentro, incluyendo en casas, garajes, sótanos, espacios pequeños, y otras áreas cerradas o parcialmente cerradas, sin apropiado ventilación. Abriendo puertas y ventanas o usando ventiladores no prevenir acumulación de monóxido de carbono en casas. Úsese solamente en áreas bien ventiladas. Antes de usar el calentador, procure tener una abertura de cuando menos 2 800 cm² (3 pies²) para el aire fresco exterior por cada 30 kw (100 000 BTU/h) de servicio nominal.

Si usted comienza a sentirse enfermo, mareado, o débil mientras que usa el calentador del espacio, cerró si apagado y consigue el aire fresco ENSEGUIDA. Vea a doctor. Usted puede tener intoxicación con monóxido de carbono.

Instale alarmas de monóxido de carbono que operados de batería o alarmas de monóxido de carbono enchufadas con seguridad de batería en su casa según las instrucciones de instalación de fabricante. Las alarmas de monóxido de carbono deben tener certificación de requisitos de calidades de seguridad últimos para alarmas de monóxido de carbono. (UL 2034, IAS 6-96 o CSA 6.19.01).

Examine su alarma de monóxido de carbono frecuentemente y reemplace baterías muertas.



RIESGOS DE ELECTRICOS



PELIGRO-CONEXIÓN INCORRECTA DE EQUIPOCONDUCTOR DE TIERRA PUEDE RESULTAR EN RIESGO DE ELECTROCUCIÓN. HABLE CON UN ELECTRICISTA CALIFICADO O REPRESENTANTE DE SERVICIO SI TENGA DUDA SOBRE QUE LA UNIDAD TIENE LA TOMA A TIERRA CORRECTA.

Sólo use el voltaje y frecuencia eléctricos especificaron en el plato modelo. Las conexiones eléctricas y la toma a tierra de calentador seguirá el Código Eléctrico Nacional, ANSI/NFPA 70 o el Código Eléctrico Canadiense, Parte 1.

Calentadores de espacio tiene que toma a tierra. Use sólo un cordón de extensión con tres alambres que toma a tierra correcta. Tape entre salida de tierra sólo. Si debe fallar o la avería, toma a tierra provece un sendero de menos resistencia para la corriente eléctrica reducir el riesgo de descarga eléctrica.

El calentador de espacio es un suministro de descarga eléctrica si no mantenga seco. Mantenga el calentador seco y no use en condiciones mojadas o de lluvia. Para proteger de humedad, operelo en un superficie seco debajo de una estructura abierta como un dosel. Seque sus manos si son mojados antes de tocando el calentador de espacio.

Revise que todo el cordón es libre de cortes o roturas y que el tapón tiene tres puntas, especialmente un perno de toma a tierra.



INSTRUCCIONES IMPORTANTES DE SEGURIDAD

Asegúrese que leer y comprender todas advertencias. Mantenga este manual para referencia. Es su guía para operación seguro y correcto de este calentador.

1. Use solamente en áreas libres de vapores inflamables o de alto contenido de polvo.
2. Distancia mínima con respecto a los materiales combustibles: 2,44 m (8 pies) de la salida de aire caliente; 1,83 m (6 pies) de la parte superior; y 60,96 cm (2 pies) de los laterales y la entrada.
3. Sitúe el calentador en una superficie estable y nivelada si está caliente o en funcionamiento, de lo contrario puede ocurrir un incendio.
4. Úsese solamente en áreas bien ventiladas. Antes de usar el calentador, procure tener una abertura de cuando menos 2 800 cm² (3 pies²) para el aire fresco exterior por cada 30 kw (100 000 BTU/h) de servicio nominal.
5. Mantenga siempre a los niños y animales alejados del calentador.
6. Use calentador solamente en acuerdo de acuerdo con las ordenanzas locales y códigos.
7. Mantenga área de calentador limpie y sin materias combustibles, gasolina, desolvente de pinta, y otros vapores y liquidos flammables.
8. Nunca use calentador en áreas de vivienda o dormiendo.
9. Nunca quede calentador tapado sin supervisión de adulto si niños o animales están o hay una posibilidad que ellos estén. No mantenga su calentador desatendido.
10. Nunca mueva, toque, o dé servicio a un calentador caliente o un que está operando. Quemaduras serias pueden resultar. Tiene que esperar 15 minutos después de apagado del calentador.





INSTRUCCIONES IMPORTANTES DE SEGURIDAD

11. Nunca sujete trabajo de conductor al frente o al trasero de calentador.
12. Los calentadores utilizados cerca de toldos, lonas o materiales similares de protección deben situarse a una distancia segura de dichos materiales. La distancia mínima recomendada para su seguridad es de 3,05 m (10 pies). También se recomienda que dichos materiales de protección tengan propiedades retardadoras de fuego. Estos materiales de protección deben estar seguramente sujetados para prevenir que se enciendan o que afecten el funcionamiento del calentador debido a la acción del viento.
13. Desconecte el calentador cuando no esté en uso.
14. Nunca bloquee la entrada de aire (posterior) o la salida de aire (anterior) del calentador.
15. Este producto obtiene la aprobación para uso del Commonwealth de Massachusetts.
16. Use solamente con la manguera y regulador preprogramado de fábrica que provee con el calentador.
17. Use solamente gasolina Propano / L.P. para retirada de vapor.
18. Para uso adentro sólo. No use el calentador en aire libre.
19. No use el calentador en el sótano o debajo del nivel de tierra. Gasolina de Propano / L.P. es más pesada de aire. Si un agujero ocurre, gasolina de Propano / L.P. bajará al nivel más abajo que es posible.
20. Mantenga calentador más de seis pies afuera de tanque(s) de Propano / L.P. No ponga el calentador en dirección de tanque(s) de Propano / L.P. dentro de 20 pies.
21. Mantenga tanque(s) de Propano / L.P. debajo de 100° F (37.8° C).
22. Revise calentador para daño antes de cada uso. No use un calentador que tiene daño.
23. Revise manguera antes de cada uso de calentador. Si muy gastado o cortado, reemplace con manguera especificado por el fabricante antes de usar el calentador.
24. Mantenga el calentador afuera de los giros fuertes, el viento, el rocío del agua, la lluvia o agua goteado.
25. Para prevenir la herida, lleve guantes cuando manejando el calentador.
26. No cambie el calentador. Mantenga el calentador en estado original.
27. No use el calentador si es cambiado.
28. Apague suministro del propano a calentador cuando no está en un uso.
29. Sólo use las partes originales del reemplazo. Este calentador debe usar el diseño las partes específicas. No sustituya ni use las partes genéricas. Las partes impropias del reemplazo podrían causar las heridas graves o fatales.



GUARDE ESTAS INSTRUCCIONES

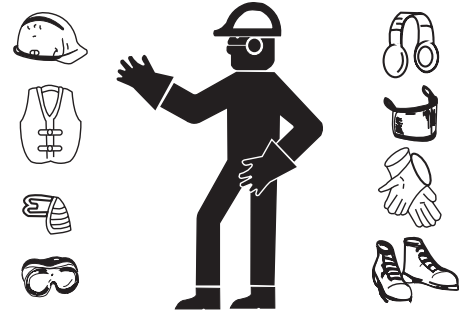


USE ROPA PROTECTORA

Use ropa medida cerca y equipo de seguridad apropiado al trabajo.

Use devise protector de oído como orejeras o tapón para el oído para proteger en contra de ruidos inaceptables y altos.

Operando equipo de seguridad necesita toda atención de operador. No use auriculares de radio o música mientras operando máquina.

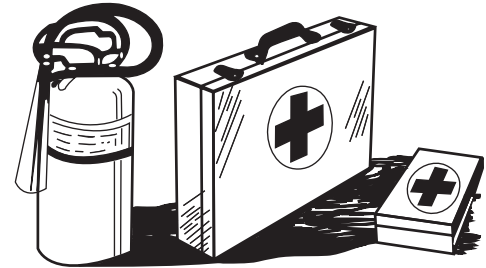


PREPARE PARA EMERGENCIAS

Mantenga primeros auxilios y extinguidor cerca.

Mantenga números de emergencia para doctores, servicio de ambulancia, hospital, y departamento de fuego cerca de telefono.

Sea preparado si un fuego empiece.



INSPECCIONES CALENTADOR

Asegúrese que todas tapas, guardias, y escudos son ajustados y en posición.

Encuentre todos controles operando y etiquetas de seguridad. Inspeccione cordón eléctrico para daño antes de usando. Hay un riesgo de electrocución de aplastante, cortando, o daño de calor.

Quite todos los artículos del embalaje aplicados del calentador para el envío. Quite todos los artículos del cartón. Compruebe los artículos para saber si hay cualquier daño del envío. Si se daña el calentador, informe puntualmente al distribuidor donde usted compró el calentador.

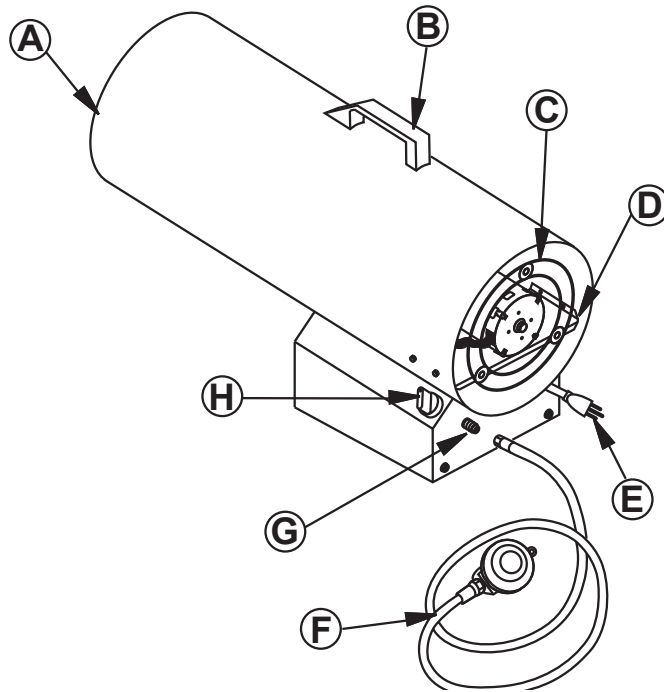
SERVICIO CON CIUDADO CALENTADOR

Antes de servicio del calentador, apague el calentador y permite enfriarse de la unidad.

Preste servicio en un área limpie, seca y planca.

Mandos

MANDOS
AC-100LP



A -- Salida de Aire Caliente (Frente)
B -- Manivela
C -- Guardía de Ventilador

D -- Sorporte de Motor
E -- Córdon de corriente
F -- Asamblea de Manguera / Regulador

G -- Conector de Entrada
H -- Perilla de Control

Preparando

VENTILACIÓN

ADVERTENCIA : SIGA LOS REQUISITOS MINIMOS DE AIRE FRESCO Y FUERA DE VENTILACION. SI APROPIADO AIRE FRESCO Y FUERA DE LA VENTILACION NO ES PROPORCIONADO, EL ENVENAMIENTO DE MONOXIDO DE CARBONO PUEDE OCURRIR. PROVECE VENTILACION DE AIRE APROPIADO DE FRESCO Y FUERA ANTES DE OPERAR EL CALENTADOR.

Provece una abierta de aire fresco de un mínimo de tres pies cuadrados para cada 100,000 Btu/Hr valador. Provece más aire fresco si más calentadores están usado.

SUMINISTRO DE PROPANO

Gasolina de Propano / L.P. y tanque(s) de Propano / L.P. tiene que obtener de usador.

Use este calentador solamente con sistema de un retirada de vapor propano. Vea Capítulo 5 de Almacenamiento y Manejo Estandard de Gases Licuados del Petrleo, ANSI / NFPA 58 y Código de Instalación de Propano CAN/CGA B 149.2. Su biblioteca o departamento de Fuego local tendrá este folleto.

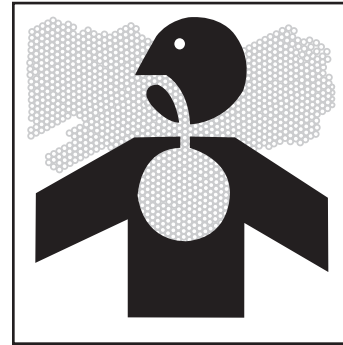
La cantidad de gasolina Propano / L.P. que está lista para uso de tanques de Propano / L.P. varia. Dos factores que decide esta cantidad:

1. La cantidad de gasolina de Propano / L.P. en tanque(s).
2. La temperatura de tanque(s).

La tabla abajo muestra el número de tanques de 100 libras (45 kg) que son necesarios para operar este calentador. Tanques más pequeños pueden usar por tiempos limitados pero es recomiende para usar más grande tanques para función óptimo.

Temperatura a Tanque	# de tanques de 100 Libras
32°F (0°C) a 20°F (-6.7°C)	2
20°F (-6.7°C) a -10°F (-23.3°C)	3
Debajo -10°F (-23.3°C)	(Use tanque más grande)

Menos gasolina es vaporado en temperaturas bajas. Puede necesitar dos o más tanques de 100 libras (45kg) o un tanque más grande en tiempo frío. Su comerciante local del gas del Propano/ L.P. lo ayudará a escoger el sistema apropiado del suministro. El mínimo de calificación de aire circundante de la temperatura para cada calentador es -20 F (29 C).



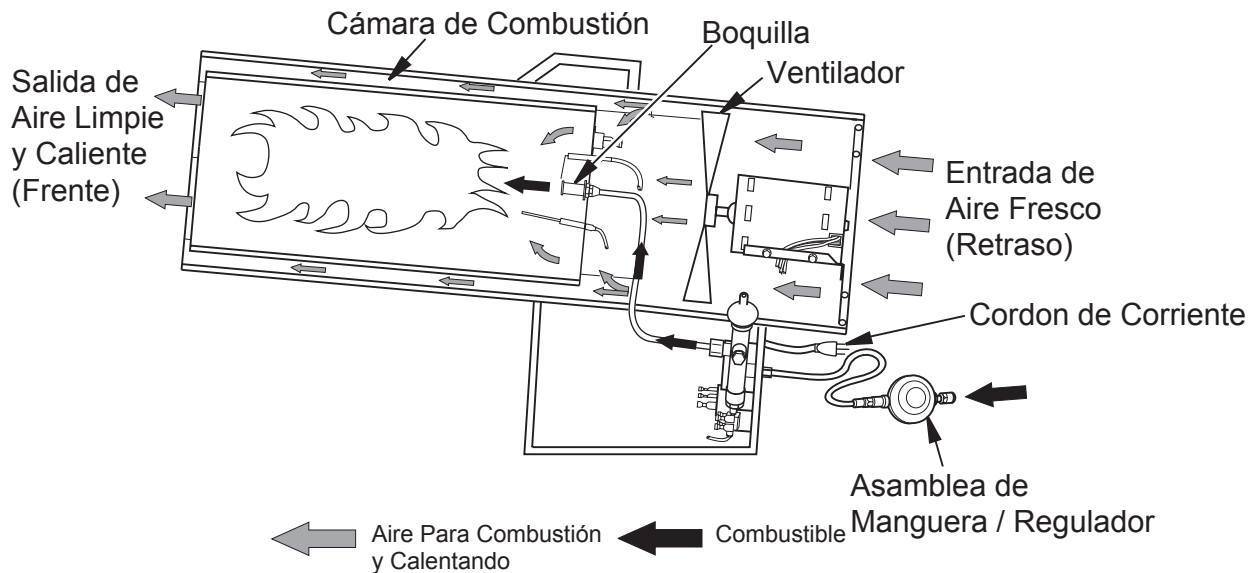
LA TEORIA DE LA OPERACIÓN

El Sistema de Combustible: La asamblea de manguera / regulador sujeta al suministro de combustible de Propano / L.P. El combustible de Propano / L.P. mueve por la válvula automática de control y se va la boquilla.

El Sistema de Aire: El motor dobla la ventilador. La ventilador empuja aire entre y alrededor de cámara de combustión. El aire se calenta y provece un corriente de aire limpio y caliente.

El Sistema de Ignición: El transformador de chispa y arranque encienden la quemador principal.

El Sistema de Seguridad de Control: El sistema tiene que apagar de calentador si el fuego apague o termine.



Instalación

INSTALACIÓN

IMPORTANTE: Lea y comprenda las advertencias en la sección de Información de Seguridad. Ellos son necesitados para operar con seguridad este calentador. Siga todas ordenanzas locales y códigos cuando se usa este calentador.



ADVERTENCIA: EXAMINE TODA TUBERÍA DE GAS Y CONEXIONES PARA ESCAPES DESPUES DE INSTALAR O SERVICIO. NUNCA UTILICE UNA LLAMA ABIERTA PARA VERIFICAR PARA UN ESCAPE. APLIQUE UNA MEZCLA DEL JABON Y EL AGUA LIQUIDOS A TODAS COYUNTURAS. FORMACION DE BURBUJEAS MUESTRA UN ESCAPE. CORRIJA TODO SE SALE INMEDIATAMENTE.

1. Provee un sistema de suministro de propano. (vea Suministro de Propano).
2. Conecte instalación de conector de combustible en asamblea de manguera / regulador a tanque(s) de Propano / L.P. Doble en sentido contrario a las agujas del reloj entre hilos en la válvula de tanque. Aprete con fuerza usando tirón.

IMPORTANTE: Aprete regulador con conducto de ventilación hacia abajo. Esta posición protege regulador de daño de tiempo. (Fig 1)

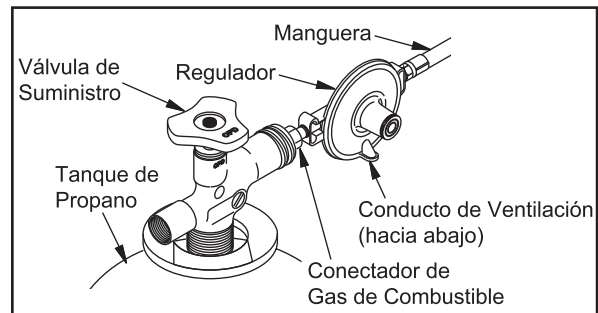
3. Conecte manguera a conector de entrada. Aprete con fuerza usando un tirón. (Fig. 2)

IMPORTANTE: Puede usar extra manguera o tubería si es necesario. Instale manguera o tubería extra entre asamblea de manguera / regulador y tanque de Propano / L.P. Tiene que usar regulador que viene con calentador.

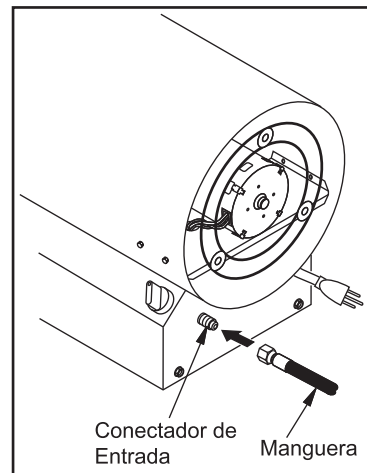
4. Abra válvula de suministro de propano en tanque(s) de Propano / L.P. muy despacio.

Nota: Si no abre muy despacio, la válvula que revisa el flujo-excesivo en tanque de Propano / L.P. parará el flujo de gas. Si este ocurre, cierre válvula de suministro de propano y abre una otra vez despacio.

5. Revise todas conexiones para fugas.
6. Cierre válvula de suministro de propano.



(Fig. 1)



(Fig. 2)

Operación



ADVERTENCIA: SIGA EL MINIMO REQUISITOS DE AIRE FRESCO Y FUERA DE VENTILACION. SI AIRE APROPIADO FRESCO Y FUERA DE LA VENTILACION NO ES PROPORCIONADO, EL MONOXIDO DE CARBONO POISONING PUEDE OCURRIR. PROVECE AIRE APROPIADO FRESCO Y FUERA DE LA VENTILACION ANTES DE OPERAR EL CALENTADOR.

ARRANQUE EL CALENTADOR:

1. Siga toda información de seguridad y ventilación.
2. Ponga calentador en un área que provee la máxima de circulación de aire caliente. Siga todos requisitos de locación que están en Información de Seguridad.

Operación

FUNCIONAMIENTO

- Encuentre calentador en superficie nivel y estable. Asegúrese que no vientos fuertes muevan entre el frente o trasero de calentador.
- Asegúrese que verilla de control está en posición de OFF.
- Tape cárdon de corriente de calentador entre cárdon extensión de tierra con tres puntas. Cárdon de extensión tiene que ser de un mínimo de 6 pies (1.83m) largo, UL/CSA lista y de un tamaño correcto. Vea Tabla de Cárdon de Extensión.
- Tape cárdon de extensión entre una salida de tierra de 120 voltaje/60 hertz, 3-agujeros. Motor empezará. El ventilador doblará, empujando aire afuera del frente de calentador.
- Abre válvula de suministro de propano en tanque(s) de Propano muy despacio.

Nota: Si no abre muy despacio, la válvula que revisa el flujo excesivo en tanque de Propano / L.P. parará el flujo de gas. Es posible que escuchará un clic de cierra de válvula que revisa el flujo excesivo. Si este ocurre, reprogramar válvula que revisa el flujo excesivo como cerrando válvula de suministro de Propano / L.P. y abre una otra vez despacio.

- Aprete y sujete la verilla de control. Doble en sentido contrario a las agujas del reloj a posición de BAJO. Calentador debe ignitar dentro de unas segundas.

Nota: Si calentador falla de ignitar, la manguera puede tener aire adentro. Si es este, mantenga verilla de control apretado y espere por 20 segundas. Alivie botón de válvula de control automático y espere 20 segundas para la salida de combustible sin quemado de calentador. Repite paso 8.

- Después de ignición de calentador, espere 30 segundas. Esta empiece la sistema de control automático. Alivie la verilla de control.
- Cuando el quemado queda encendido, ponga el calentador en nivel del caliente que quiere como doblando la válvula de control a la agujas del reloj. Si quemador salida, apague la gasolina. Doble todo en el sentido de las agujas del reloj posición más debajo. Revise el suministro de combustible. Si combustible adecuado está disponible, vuelve a encender el principio de calentador en el paso 1.

PARE EL CALENTADOR:

- Cierre apretado la válvula de suministro de propano en tanque(s) de Propano / L.P.
- Espere unas segundas. Calentador quemará restos de gasolina en mangueras de suministro.
- Doble verilla de control a posición de OFF.
- Desconecte el calentador.

Requisito de Tamaño de Cárdon de Extensión	
la longitud de cárdon:	cárdon valorada:
51 a 100 pie (15.5 a 30.48m)	16 AWG
101 a 200 pie (30.78 a 60.96m)	14 AWG

Localización de Fallas



ADVERTENCIA: NUNCA REALICE REPARACIONES AL CALENTADOR MIENTRAS ESTÉ CONECTADO, EN FUNCIONAMIENTO O CALIENTE. PUEDEN OCURRIR QUEMADURAS GRAVES Y CHOQUES ELÉCTRICOS.

Condición de falla	Causa Posible	Remedio
Ventilador no empiece cuando calentador está tapado.	Nada corriente eléctrica a calentador.	Revise voltaje a salida eléctrica. Si voltaje es bueno, revise cordón de corriente de calentador para rompíos.
	Ventilador tocando adentro de cáscara de calentador.	Ajuste soporte de motor / ventilador para quitar el ventilador tocando el dentro de cáscara de calentador.
	Palas de ventilador están torcidos.	Reemplace el ventilador.
	Motor defectivo	Reemplace el motor.
Heater no ignitará.	Usador no siga instrucciones de instalación de operación correcto.	Repita instrucciones de instalación y operación.
	No chispa a ignición. Para examinar para chispa, vea "Servicio: Ignición" y siga paso 8. Si vea chispa a ignición, tiene servicio de calentador por un persona cualificado de servicio. Si no vea chispa:	
	a. Afloje o desconecte alambre de ignición	a. Revise alambre de ignición. Aprete o resujete alambre suelto de ignición. Vea "Mantenimiento: Transformador de Chispa" para posición de alambre de ignición.
	b. área de chispa equivocada	b. Haga área entre electrodo de ignición y plato de fijado a .13"/.15" (3.3/3.8mm)
	c. electrodo de ignición malo	c. Reemplace electrodo de ignición. Vea "Mantenimiento: Ignición."
d. transformador de chispa malo	d. Reemplace transformador de chispa. Vea "Mantenimiento: Transformador de Chispa."	



ADVERTENCIA: NUNCA REALICE REPARACIONES AL CALENTADOR MIENTRAS ESTÉ CONECTADO, EN FUNCIONAMIENTO O CALIENTE. PUEDEN OCURRIR QUEMADURAS GRAVES Y CHOQUES ELÉCTRICOS.

Condición de falla	Causa Posible	Remedio
Calentador apague mientras funcionando	Suministro de Propano / L.P. puede ser inadecuado.	a. Rellene el tanque. b. Provece más tanques y/o tanques más grande. Vea “ Preparación: Suministro de Propano”.
	Temperatura Alta de aire alrededor que causa el aparato de limito termal a apagar el calentador.	Este puede ocurrir cuando funcionando el calentador en temperaturas más altas de 85°F (30°C). Funcione calentador en temperaturas más frías.
	Flujo de aire es restringido.	Revise entrada y salida de calentador. Quite algunas obstrucciones.
	El ventilador tiene daño.	Reemplace el ventilador. Vea “Mantenimiento: Ventilador.”
	Polvo o escombo excesivo en área de alrededor.	Limpie el calentador. Vea “ Mantenimiento”.

⚠ ADVERTENCIA: Use sólo en areas libre de contenido arriba de polvo.

Calentador está produciendo olor.	Agujero de Gasolina	Revise todas conexciones para agujeros. Aplique una mezcla de jabón liquido y agua a conjuntos de gasolina. Burbujas que están formando significa que hay un agujero que necesita corregar.
	Calentador funciona en un 20 lb. cilindro de Propano / L.P. Gasolina insuficient de Propano / L.P. suministrará de un cilindro de 20lb. que resultará en un olor.	Para obtener una mezcla correcta de gasolina y aire de Propano / L.P., use un tamaño de cilindro más grande, por ejemplo 40lb. (mínimo) o 100lb. Vea “ Preparación : Suministro de Propano”.
	Tanque de suministro de Propano / L.P. está “ parando porque está frío.” La tasa de la evaporación y el consumo del propano del tanque del suministro está demasiado grande para el tamaño del tanque y la temperatura de aire.	a. Use un tamaño más grande de cilindro de suministro, por ejemplo 40lb. (mínimo) o 100 lb. b. Reduzca la tasa del consumo como operando la calentadora posición BAJA por un poco tiempo hasta escarcha desaparece del tanque.

Servicio

MANTENIMIENTO:



ADVERTENCIA: PARA QUITAR EL RIESGO DE QUEMADURAS Y DESCARGA ELECTRICA, NUNCA TRATE A DAR SERVICIO A CALENTADOR MIENTRAS SE TAPADO, FUNCIONANDO, O CALIENTE.

MANTENGA EL CALENTADOR LIBRE DE O SIN DE MATERIAS COMBUSTIBLES, GASOLINA, Y OTROS VAPORES Y LIQUIDOS FLAMMABLES.

NO BLOQUEE EL FLUJO DE COMBUSTIÓN O AIRE DE VENTILACIÓN.

1. Mantenga calentador limpio. Limpie calentador anualmente o como necesario para quitar polvo y escombros. Si calentador está sucio o tiene escombros, limpie calentador con tela mojada. Use limpiadores de casa en mangas difíciles.
2. Inspecte calentador antes de cada uso. Revise conexiones para agujeros. Aplique mezcla de jabón, liquido y agua a conexiones. Si hay burbujas que están formando, hay un agujero. Correcte todos agujeros pronto.
3. Inspecte asamblea de manguera / regulador antes de cada uso. Si manguera está muy gastado, reemplace con manguera específica de fabricante.
4. Tiene que inspeccionar calentador cada año por una agencia calificada de servicio.
5. Mantenga adentro de calentador libre y sin de objetos extranjeros y combustibles. Quite motor y otros partes interior si es necesario para limpiar el adentro de calentador.
6. Limpie palas de ventilador cada estación o como es necesario.

MANTENIMIENTO (CONTINUACIÓN):

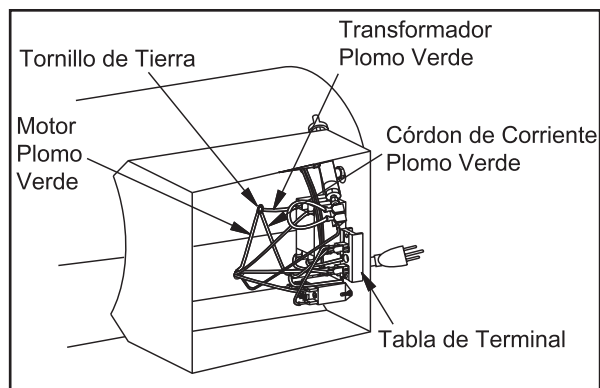
⚠ ADVERTENCIA: NUNCA REPARAR CALENTADOR MIENTRAS ESTÁ TAPADO, CONECTADO A SUMINISTRO DE PROPANO / L.P. , OPERANDO O CALIENTE. QUEMADURAS SERIAS Y GOLPE DE CORRIENTE PUEDE OCURRIR.

MOTOR:

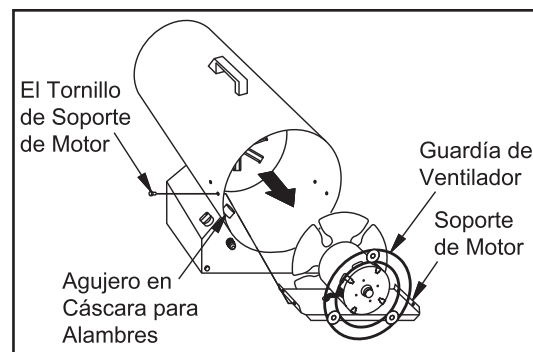
1. Con el calentador está en su lado, quite el bandeja de base.
2. Obtenga tornillo de tierra por parte inferior de base de calentador. Quite tornillo de tierra. Desconecte alambre verde de motor y cordón verde de eléctrico de parte inferior de base de estructura. (Fig 3).
3. Quite alambres de motor blancos y negros de tabla de terminal (Fig 3).
4. Con cuidado, empuje alambres de motor por agujero en el debajo de estructura.
5. Quite tornillos que sujetan soporte de motor a estructura. Use conductor de tuerca. (Fig 4)
6. Tire motor y ventilador con cuidado afuera de estructura.

IMPORTANTE: Ten cuidado para no da daño a ventilador. NO ponga debajo del motor y ventilador con peso sorportando en ventilador. Este puede dar daño a punto de ventilador.

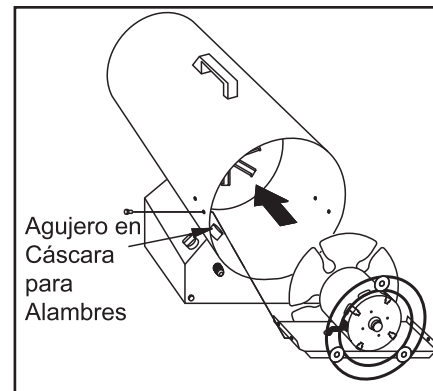
7. Use tirón de hex para soltar el tornillo de conjunto que mantenga ventilador a eje de motor.
8. Quite el ventilador. Ten cuidado para no dañar el punto de pala de ventilador.
9. Use el conductor de tuerca para quitar dos tuercas que sujetar el motor a soporte de motor.
10. Deseche el motor viejo.
11. Sujete motor o soporte de motor con dos tuercas. Aprete las tuercas con fuerza.
12. Reemplace el ventilador en eje de motor. Asegúrese que el tornillo de conjntgo toque el superficie plano en eje de motor.
13. Aprete tornillo de conjunto con fuerza (40-50 pulgadas-libras [46.08-57.60 kilogramos-centímetros]).
14. Con cuidado ponga alambres de motor por agujero en cáscara (Fig. 5). Ponga motor, soporte de motor y guardia de ventilador entre el trasero de cáscara de calentador.
15. Inserte tornillos por cáscara de calentador y entre soporte de motor. Aprete tornillos con fuerza.
16. Doble calentador en su lado para conseguir acceso a abierta en el fondo de la base. Conecte alambres verdes de motor, transformador y cordón de corriente a cáscara de calentador usando una tuerca de tierra (Fig. 3).
17. Sujete alambres negros y blancos a tabla de terminal (vea "Diagrama de Alambre: para posiciones correctos).
18. Reemplace bandeja de base.



(Fig. 3)



(Fig. 4)



(Fig. 5)

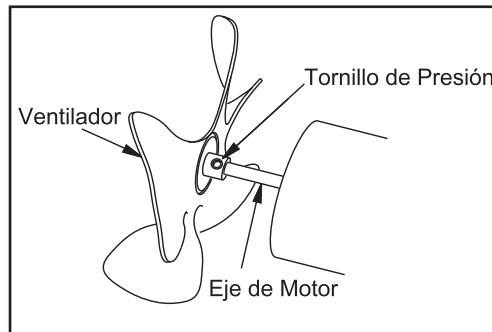
MANTENIMIENTO (CONTINUACIÓN):

VENTILADOR:

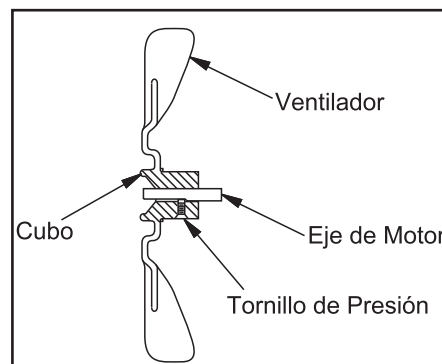
1. Quite motor, soporte de motor y ventilador (vea Mantenimiento: Motor , pasos 1 a 8).
2. Limpie ventilador usando una tela suave que está mojada con Kerosane o solvente.
3. Seque ventilaor en total.
4. Reemplace ventilador en eje de motor. Asegure que tornillo de presión está tocando el atraso de superficie plano en eje de motor. (Fig 6 y 7).
5. Ponga tornillo de presión en plano de eje. Aprete con firmeza tornillo de presión (40-50 pulgadas – libras / 46.08-57.60 kilogramos – centímetros.)
6. Ponga motor, soporte motor, y guardía de ventilador entre trasero de estructura de calentador (vea Mantenimiento: Motor pasos 14 a 18).

TRANSFORMADOR DE CHISPA:

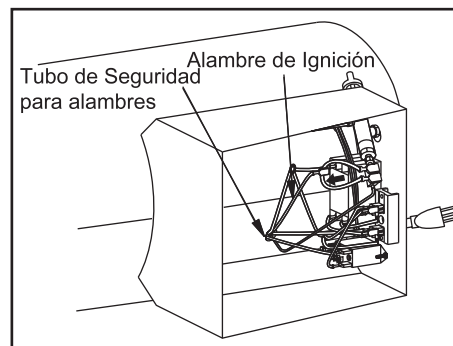
1. Quite bandeja de base.
2. Encuentre y desconecte alambres blancos, negros, y anaranjados de transformador de chispa (Fig. 8).
3. Quite dos tornillos que están sujetando transformador de chispa a base. Quite tuercas de chapa en transformador y instale en transormador nuevo. Deseche transformador de chispa.
4. Instale transformador de chispa nuevo. Ponga transformador de chispa nuevo en posición de misma manera de transformador viejo.
5. Conecte alambres blancos, negros, y anaranjados a transformador de chispa nuevo. Conecte alambres a terminales corectos como escriba en paso 2.
6. Reemplace bandeja de base.



(Fig. 6)



(Fig. 7)



(Fig. 8)

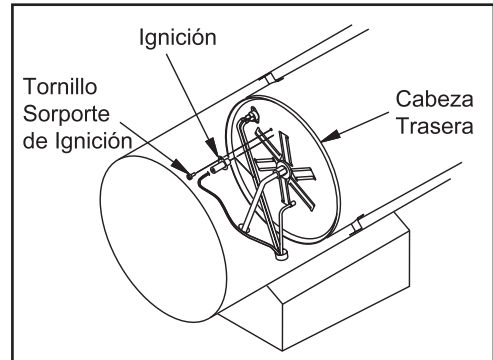
MANTENIMIENTO (CONTINUACIÓN):

IGNICIÓN:

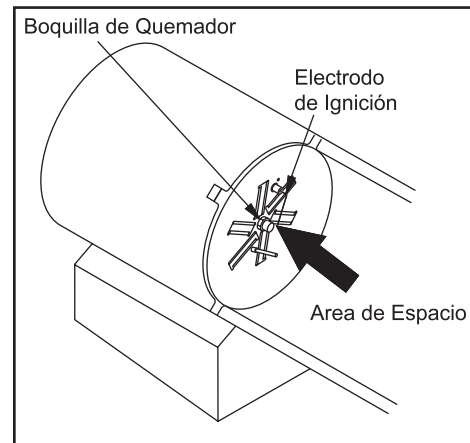
1. Quite motor , soporte de motor, y guardía de ventilador (vea Mantenimiento: Motor, pasos 1 a 6).
2. Quite alambre de ignición anaranjado de ignición.
3. quite tornillo soporte de ignición de cabeza trasera usando conductor de tuerca o destornillador estandar.
4. Quite ignición de cabeza trasera.
5. Instale ignición nuevo. Sujete ignición a cabeza trasera con tornillo soporte de ignición.
6. Sujete alambre de ignición.
7. Revise espacio entre electrodo de ignición y boquilla a 13"/15" (3.3 / 3.8 mm) (Fig. 10).
8. Examine para chispa. Tape entre cordón de extensión y busque chispa entre electrodo de ignición y boquilla.

⚠ ADVERTENCIA: ASEGURESE QUE CALENTADOR SEA DESCONECTADO DE SUMINISTRO DE PROPANO. CALENTADOR PUEDE INFLAMAR Y CAUSANDO QUEMADURAS SERIAS.

9. Ponga motor, soporte de motor y guardía de ventilador en trasero de estructura de calentador. (vea Mantenimiento: Motor pasos 14 a 18).



(Fig. 9)



(Fig. 10)

Almacenamiento

⚠ PRECAUCION: DESCONECTE CALENTADOR DE TANQUE(S) DE PROPANO / L.P. SUMINISTRO.

1. Mantenga tanque(s) de Propano / L.P. en manera con seguridad. Vea Capítulo 5 de Almacenamiento y Manejo Estandar de Gases Licuados del Petrleo, ANSI / NFPA 58 y Código de Instalación de Propano CAN/CGA B 149.2. Siga todos códigos locales. Siempre mantenga tanques de Propano / L.P. en aire libre.
2. Ponga tapa plástica de cubierta encima de instalaciones de latón en entrada de conector y asamblea de manguera / regulador.
3. Mantenga en lugar seco, limpie, y seguro. No mantenga asamblea de manguera y regulador adentro de cámara de combustión de caliente.
4. Cuando quitando calentador afuera de almacenamiento, siempre revise adentro de calentador. Insectos y animales pequeños pueden poner objetos extrajeros en calentador. Mantenga el adentro de calentador sin de objetos extrajeros y combustibles.

Especificaciones

ARTÍCULO	ESPECIFICACIÓN		
Tamaño de Modelo	AC-100LP		
Clase de Salida (BTU / Hr)	65,000	85,000	100,000
Combustible	Sólo Vapor de Propano		
Consumpción de Combustible (Gal Cada Hora/ Litros Cada Hora)	0.7 / 2.65	0.9 / 3.52	1.1 / 4.16
(Libras Cada Hora / Kilogramos Cada Hora)	3.0 / 1.36	3.9 / 1.77	4.6 / 2.09
Suministro de Presión a Regulador Mínimo (para ajustado de entrada)	10 PSI / 65.98 kPa		
Máxima	Presión de Tanque		
Presión de Salida de Regulador	Preprogramada de Fabrica		
Presión de Colector	10" WC / 25.4 cm		
Salida de Aire Caliente (aprox.)	475 CFM / 144.78 metro cúbico / minuto		
Motor RPM	3200		
Motor HP	1/10		
Entrada de Eléctrica	120V / 60Hz		
Amperios (Corriente Normal)	2.9		
Ignición	Continuous		
Area de Ignición	0.13 in / 0.15 in (3.3 mm / 3.8 mm)		
Peso de Mandando (Libras / Kilogramos Aproximados)	29 / 13.15		
Peso de Calentador (Libras / Kilogramos Aproximados)	23 / 10.43		

ANOTE NÚMERO SERIE

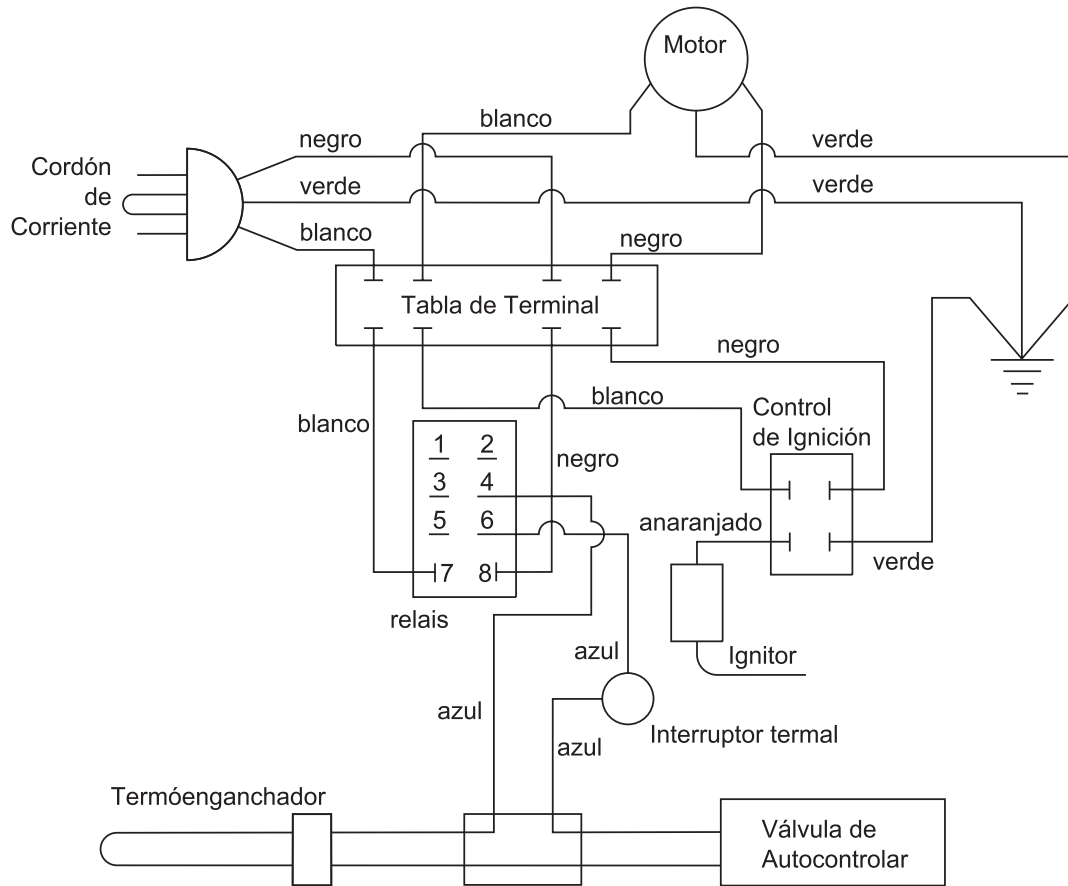
Escriba número de modelo, numero serie de máquina (vea etiqueta de número serie (A) en ilustración y fecha de compra en espacios abajo. Su concesario necesita esta información cuando ordenando partes.

Num. de modelo _____

Num. serie de máquina _____

Fecha de compra _____
(llene de comprador)

Diagrama de Alambre



DECLARACIÓN DE GARANTÍA

John Deere garantiza que todas las piezas (excepto aquellas a las que se hace referencia abajo), de su nueva calentador libres de defectos en materiales y mano de obra durante los periodos siguientes:

Por uno (1) año a partir de la fecha original de compra.

Las piezas defectuosas que no están sujetas a deterioro causado por el uso serán reparadas o reemplazadas a nuestra opción durante el periodo de garantía. En todo caso, el reembolso está limitado al precio de compra pagado.

EXCLUSIONES

1. Esta garantía no cubre las piezas que son dañadas debido al desgaste normal, aplicación incorrecta, uso erróneo, operación en otro que recomendado. La falta de seguir funcionar recomendado y los procedimientos de mantenimiento anular la garantía también.
2. El uso de otras piezas de reparación genuinas del fabricante anulará la garantía.
3. La garantía será vacío si está utilizada en cualquiera uso con excepción de consumidor/ dueño de casa. Las piezas vueltas, pagado por adelantado a nuestra fábrica o a un centro de servicio autorizado de John Deere serán examinadas y reemplacen gratuitamente si estan encontradas para ser defectuosas y conforme a garantía. No hay garantías que extienden más de la descripción de la cara de esto. Debajo de ningunas circunstancias el fabricante tendrá algo responsabilidad de perdida de uso de la unidad, la perdida de tiempo o de alquiler, la inconveniencia, la perdida comercial o los daños consecuentes.

PARA SERVICIO O CONSIDERACION DE LA GARANTIA CONSULTE CON:
Mi-T-M® Corporation/8650 Enterprise Drive, Box 50/Peosta, IA 52068-0050
Telefono: 1-877-JD-KLEEN / (1-877-535-5336) Fax: 563-556-1235
Lunes - Viernes 8:00 a.m. - 5:00 p.m. CST

Nota



Form #37-0875-071805
117225-01A



Manufactured for Deere & Company
Moline, Illinois 61265
Space Heaters Operator's Manual

Free Manuals Download Website

<http://myh66.com>

<http://usermanuals.us>

<http://www.somanuals.com>

<http://www.4manuals.cc>

<http://www.manual-lib.com>

<http://www.404manual.com>

<http://www.luxmanual.com>

<http://aubethermostatmanual.com>

Golf course search by state

<http://golfingnear.com>

Email search by domain

<http://emailbydomain.com>

Auto manuals search

<http://auto.somanuals.com>

TV manuals search

<http://tv.somanuals.com>