

AC-70, AC-115 AND AC-165 SPACE HEATERS



JOHN DEERE

**OPERATOR'S
MANUAL**



Introduction

THANK YOU for purchasing a John Deere product.

READ THIS MANUAL carefully to learn how to operate and service your machine correctly. Failure to do so could result in personal injury or equipment damage. This manual and safety signs on your machine may also be available in other languages. (See your John Deere dealer to order.)

THIS MANUAL SHOULD BE CONSIDERED a permanent part of your machine and should remain with the machine when you sell it.

MEASUREMENTS in this manual are given in both metric and customary U.S. unit equivalents. Use only correct replacement parts and fasteners. Metric and inch fasteners may require a specific metric or inch wrench.

RIGHT HAND AND LEFT HAND sides are determined by facing the motor end of the machine.

The SERIAL NUMBER is located in the Specification or Identification Numbers section. Accurately record all the numbers to help in tracing the machine should it be stolen. Your dealer also needs these numbers when you order parts. File the identification numbers in a secure place off the machine.

WARRANTY is provided from your John Deere dealer for customers who operate and maintain their equipment as described in this manual. The warranty is explained on the warranty certificate shown in this manual.

This warranty provides you the assurance that your dealer will back products where defects appear within the warranty period. Should the equipment be abused, or modified to change its performance beyond the original factory specifications, the warranty will become void.



WARNING

This product contains and/or generates chemicals known to the State of California to cause cancer or birth defects, or other reproductive harm.

Contents

	Page
Safety	4
Controls	10
Assembly	11
Preparation	12
Operation	14
Troubleshooting	16
Service	18
Storage	25
Specifications	26
Warranty	27
Notes	28

All information, illustrations and specifications in this manual are based on the latest information available at the time of publication. The right is reserved to make changes at any time without notice.

Safety

RECOGNIZE SAFETY INFORMATION

This is the safety alert symbol. When you see this symbol on your machine or in this manual, be alert to the potential for personal injury.

Follow recommended precautions and safe operating practices.



UNDERSTAND SIGNAL WORDS

A signal word--DANGER, WARNING or CAUTION--is used with the safety-alert symbol. DANGER identifies the most serious hazards.

DANGER or WARNING safety signs are located near specific hazards. General precautions are listed on CAUTION safety signs. CAUTION also calls attention to safety messages in this manual.



FOLLOW SAFETY INSTRUCTIONS

Carefully read all safety messages in this manual and on your machine safety signs. Keep safety signs in good condition. Replace missing or damaged safety signs. Be sure new equipment components and repair parts include the current safety signs. Replacement safety signs are available from your John Deere dealer.

Read this owner's manual carefully and completely before trying to assemble, operate, or service this space heater. Improper use of this space heater can cause serious injury or death from burns, fire, explosion, electrical shock, and carbon monoxide poisoning.

Make certain you read and understand all warnings. Keep this manual for reference. It is your guide to safe and proper operation of this space heater.

If you do not understand any part of this manual and need assistance, contact your John Deere dealer.





CARBON MONOXIDE - POISONOUS GAS



DANGER: CARBON MONOXIDE POISONING MAY LEAD TO DEATH!

Space heaters exhaust contains carbon monoxide - a poisonous gas that can kill you. You CAN NOT smell or see this gas.

Carbon Monoxide Poisoning: Early signs of carbon monoxide poisoning resemble the flu, with headaches, dizziness, and/or nausea. If you have these signs, the space heater may not be working properly. Get fresh air at once! Have space heater serviced. Some people are more affected by carbon monoxide than others. These include pregnant women, persons with heart or lung disease or anemia, those under the influence of alcohol, and those at high altitudes.

Never use a space heater in enclosed or partially-enclosed spaces without proper ventilation. Use only in well-vented areas. Before using space heater, provide at least a three-square-foot (2800 square cm) opening of fresh, outside air for each 100,000 Btu / Hr (30 kw) of rating. Space heaters can produce high levels of carbon monoxide very quickly. When you use a space heater, remember that you cannot smell or see carbon monoxide. Even if you can't smell exhaust fumes, you may still be exposed to carbon monoxide.

If you start to feel sick, dizzy, or weak while using a space heater, get to fresh air **RIGHT AWAY**. **DO NOT DELAY**. The carbon monoxide from space heaters can rapidly lead to full incapacitation and death.

If you experience serious symptoms, get medical attention immediately. Inform medical staff that carbon monoxide poisoning is suspected. If you experienced symptoms while indoors, have someone call the fire department to determine when it is safe to re-enter the building.

NEVER operate the space heater in an explosive atmosphere, near combustible materials or where ventilation is not sufficient to carry away exhaust fumes. **Exhaust fumes can cause serious injury or death.**

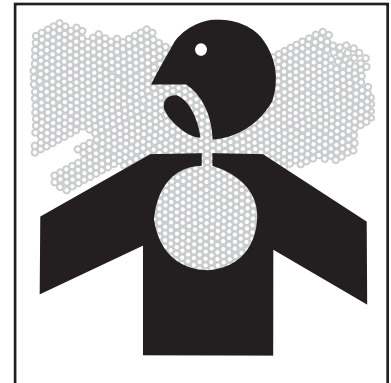
Follow the instructions that come with your space heater. Locate the unit outdoors and away from doors, windows, and vents that could allow the carbon monoxide gas to come indoors.

NEVER run space heaters inside homes, garages, sheds, or other semi-enclosed spaces without proper ventilation. These spaces can trap poisonous gases **EVEN IF** you run a fan or open doors and windows. Use only in well-vented areas. Before using space heater, provide at least a three-square-foot (2800 square cm) opening of fresh, outside air for each 100,000 Btu / Hr (30 kw) of rating.

If you start to feel sick, dizzy, or weak while using the space heater, shut it off and get fresh air **RIGHT AWAY**. See a doctor. You may have carbon monoxide poisoning.

Install battery-operated carbon monoxide alarms or plug-in carbon monoxide alarms with battery back-up in your home, according to the manufacturer's installation instructions. The carbon monoxide alarms should be certified to the requirements of the latest safety standards for carbon monoxide alarms. (UL 2034, IAS 6-96, or CSA 6.19.01).

Test your carbon monoxide alarm frequently and replace dead batteries.





SAFETY WARNING WHEN REFUELING

Use only kerosene, #1#2 diesel / fuel oil, JET A or JP-8 fuels to avoid risk of fire or explosion. Never use gasoline, naphtha, paint thinners, alcohol, or other highly flammable fuels.

Personnel involved with fueling shall be qualified and thoroughly familiar with the manufacturer's instructions and applicable regulations regarding the safe fueling of heating units.

Only the type of fuel specified on the space heater's data plate shall be used.

All flame, including the pilot light, if any, shall be extinguished and the space heater allowed to cool, prior to fueling.

During fueling, all fuel lines and fuel-line connections shall be inspected for leaks. Any leaks shall be repaired prior to returning the space heater to service.

At no time shall more than one day's supply of space heater fuel be stored inside a building in the vicinity of the space heater. Bulk fuel storage shall be outside the structure.

All fuel storage shall be located a minimum of 25 feet (762cm) from space heaters, torches, welding equipment, and similar sources of ignition (exception: the fuel reservoir integral with the space heater unit).

Whenever possible, fuel storage shall be confined to areas where floor penetrations do not permit fuel to drip onto or be ignited by a fire at lower elevation.

Fuel storage shall be in accordance with the authority having jurisdiction.

Observe all safety regulations for the safe handling of fuel. Handle fuel in safety containers. If the container does not have a spout, use a funnel.

Do not overfill the fuel tank, leave room for the fuel to expand.

Do not refill fuel tank while the engine is running. Before refueling the space heater, turn it off and let it cool down.

Fill the tank only on an area of bare ground. While fueling the tank, keep heat, sparks and open flame away. Carefully clean up any spilled fuel before starting engine.

Always fill fuel tank in an area with plenty of ventilation to avoid inhaling dangerous fumes.

NEVER store fuel for your space heater in the home. Gasoline, propane, kerosene, and other flammable liquids should be stored outside of living areas in properly-labeled, non-glass safety containers. Do not store them near a fuel-burning appliance, such as a natural gas water heater in a garage. If the fuel is spilled or the container is not sealed properly, invisible vapors from the fuel can travel along the ground and can be ignited by the appliance's pilot light or by arcs from electric switches in the appliance.





ELECTRICAL HAZARDS



DANGER- IMPROPER CONNECTION OF THE EQUIPMENT-GROUNDING CONDUCTOR CAN RESULT IN A RISK OF ELECTROCUTION. CHECK WITH A QUALIFIED ELECTRICIAN OR SERVICE PERSON IF YOU ARE IN DOUBT AS TO WHETHER THE UNIT IS PROPERLY GROUNDED.

Use only the electrical voltage and frequency specified on model plate.

Space heater must be grounded. Use only a properly grounded three-wire extension cord. Plug into grounded outlet only. If it should malfunction or breakdown, grounding provides a path of least resistance for electric current to reduce the risk of electric shock.

The space heater is a potential source of electrical shock if not kept dry. Keep the space heater dry and do not use in rain or wet conditions. To protect from moisture, operate it on a dry surface under an open, canopy-like structure. Dry your hands if wet before touching the space heater.

Check that the entire cord is free of cuts or tears and that the plug has all three prongs, especially a grounding pin.





IMPORTANT SAFETY INSTRUCTIONS

1. Use only in areas free of flammable vapors or high dust content.
2. Minimum clearance from any combustibile materials: 8 feet (244 cm) from hot air outlet; 4 feet (122 cm) from top; and 4 feet (122 cm) from sides and inlet.
3. Locate space heater on a stable and level surface while hot or operating or a fire may occur.
4. Use only in well-vented areas. Before using space heater, provide at least a three-square-foot (2800 square cm) opening of fresh, outside air for each 100,000 Btu / Hr (30 kw) of rating.
5. Keep children and animals away from space heater at all times.
6. Never start space heater when combustion chamber is hot or if fuel has accumulated in combustion chamber.
7. When used with thermostat, space heater may start at anytime.
8. When space heater is moved or stored, it must be in a level position or fuel spillage may occur.
9. Use space heater only in accordance with local ordinances and codes.
10. Never use gasoline, crankcase drainings, naphtha, paint thinners, alcohol, or other highly flammable fuels.
11. Never use space heater where gasoline, paint thinner, or other highly flammable vapors are present.
12. Never use space heater in living or sleeping areas.
13. Never leave a space heater plugged in without adult supervision if children or animals are likely to be present.
14. Never move, handle, refuel, or service a hot, operating, or plugged-in space heater.
15. Never attach duct work to front or rear of space heater.
16. Never attach space heater to external fuel tank.
17. Space heaters used in the vicinity of tarpaulins, canvas, or similar enclosure materials shall be located a safe distance from such materials. The recommended minimum safe distance is 10 feet (304.8cm). It is further recommended that these enclosure materials be of a fire retardant nature. These enclosure materials shall be securely fastened to prevent them from igniting or from upsetting the space heater due to wind action.
18. Unplug space heater when not in use.
19. Never block air inlet (rear) or air outlet (front) of space heater.



SAVE THESE INSTRUCTIONS



WEAR PROTECTIVE CLOTHING

Wear close fitting clothing and safety equipment appropriate to the job.

Wear a suitable hearing protective device such as earmuffs or earplugs to protect against objectionable or uncomfortable loud noises.

Operating equipment safely requires the full attention of the operator. Do not wear radio or music headphones while operating machine.

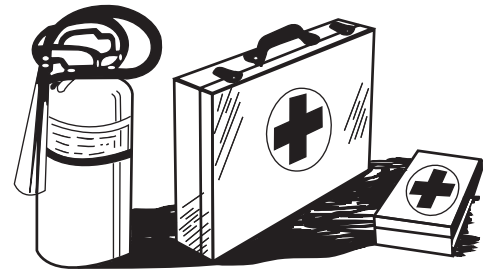


PREPARE FOR EMERGENCIES

Keep a first aid kit and fire extinguisher handy.

Keep emergency numbers for doctors, ambulance service, hospital and fire department near your telephone.

Be prepared if a fire starts.



INSPECT SPACE HEATER

Be sure all covers, guards and shields are tight and in place.

Locate all operating controls and safety labels. Inspect power cord for damage before using. There is a hazard of electrical shock from crushing, cutting or heat damage.

Remove all packing items applied to space heater for shipment. Remove all items from carton. Check items for any shipping damage. If space heater is damaged, promptly inform dealer where you bought space heater.

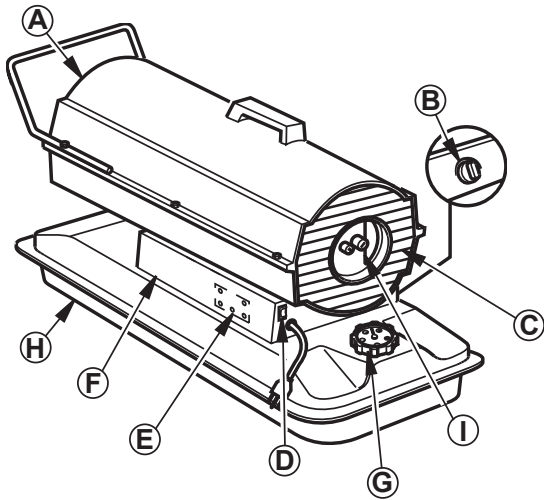
SERVICE SPACE HEATER SAFELY

Before servicing the space heater, disconnect all equipment and battery (if equipped) and allow unit to cool down.

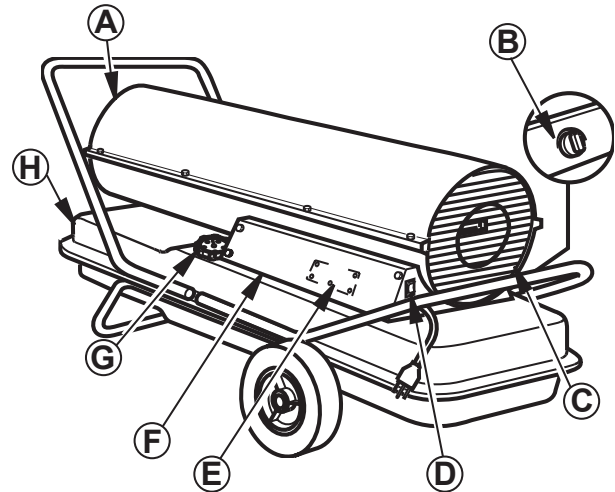
Service space heater in a clean dry flat area.

Controls

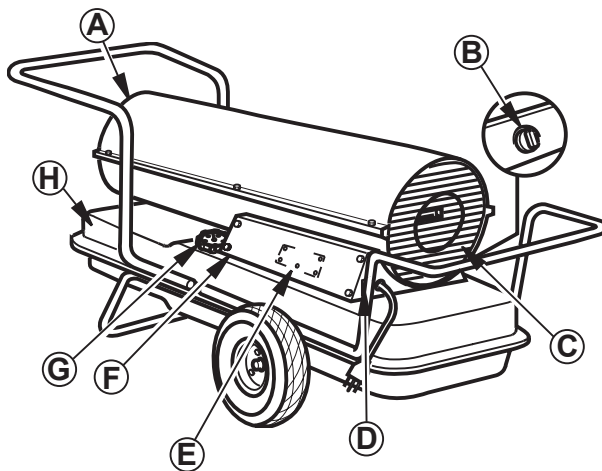
CONTROLS



AC-70



AC-115



AC-165

A -- Hot Air Outlet

B -- Thermostat Knob

C -- Fan Guard

D -- ON / OFF Switch

w/ Light

E -- Ignition Control Assembly
(On Inside of Side Cover)

F -- Side Cover

G -- Fuel Cap / Gauge

H -- Fuel Tank

I -- Air Filter End Cover

Assembly

ASSEMBLY

NOTE: For 115 and 165 Models Only

These models are furnished with wheels and a handle. Some models are furnished with a second handle also. Wheels, handle(s), and the mounting hardware are found in the shipping carton.

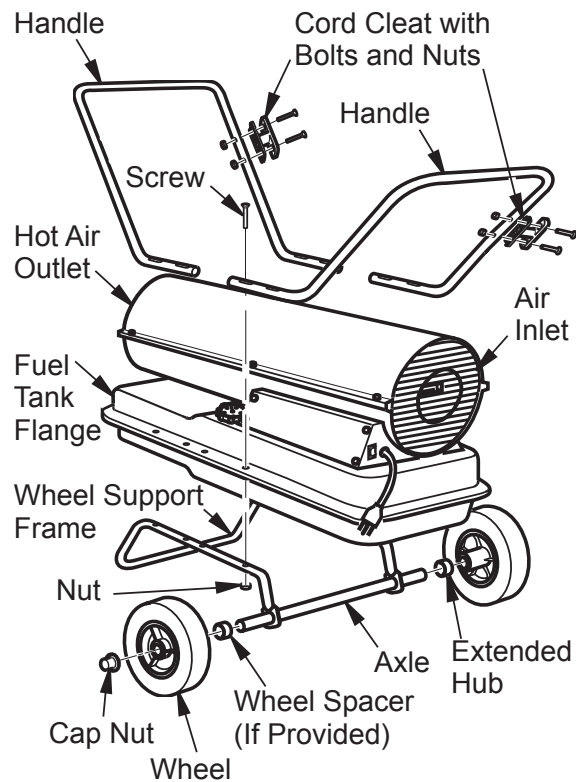
Tools Needed

- Medium Phillips Screwdriver
- 3/8" Open or Adjustable Wrench
- Hammer

1. Slide axle through wheel support frame. Install wheel spacers if provided. Install wheels on axle.

IMPORTANT: When installing wheels, point extended hub of wheels toward wheel support frame (Fig. 1).

2. Place cap nuts on axle ends. Gently tap with hammer to secure.
3. Place space heater on wheel support frame. Line up holes on fuel tank flange with holes on wheel support frame.
4. Place handle(s) on top of fuel tank flange. Insert screws through handle(s), fuel tank flange, and wheel support frame. Attach nut, hand tight after each screw is inserted.
5. After all screws are inserted, tighten nuts firmly.



(Fig. 1)

Preparation

VENTILATION

⚠ WARNING: PROVIDE A FRESH AIR OPENING OF AT LEAST THREE SQUARE FEET (2,800 SQUARE CM) FOR EACH 100,000 BTU / HR RATING. PROVIDE EXTRA FRESH AIR IF MORE SPACE HEATERS ARE BEING USED. THE MINIMUM VENTILATION REQUIREMENTS MUST BE FOLLOWED TO AVOID RISKS ASSOCIATED WITH CARBON MONOXIDE POISONING. MAKE CERTAIN THESE REQUIREMENTS ARE MET PRIOR TO OPERATING SPACE HEATER.

Example: A 200,000 Btu / Hr (58.6kw) space heater requires one of the following:

- a two-car garage door [16 feet (4.88 meter) opening] raised 5 inches (12.7 cm)
- a single-car garage door [9 feet (2.74 meter) opening] raised 8 inches (20.3 cm)
- two, 30 inch (76.2 cm) windows raised 15 inches (38.1 cm)

FUELS

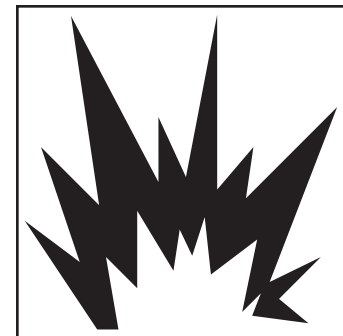
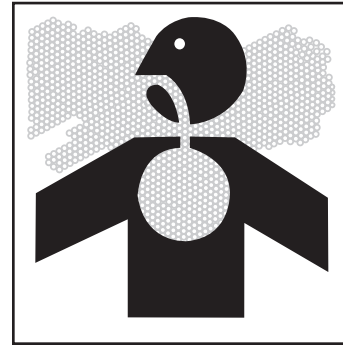
⚠ WARNING: USE ONLY KEROSENE, #1/#2 DIESEL/ FUEL OIL, JET A OR JP8 FUELS TO AVOID RISK OF FIRE OR EXPLOSION. NEVER USE GASOLINE, OIL DRAINED FROM CRANKCASES, NAPHTHA, PAINT THINNERS, ALCOHOL OR OTHER HIGHLY FLAMMABLE FUELS.

Use only kerosene, #1/#2 diesel / fuel oil, JET A or JP-8 fuels. Heavier fuels such as No. 2 fuel oil or No. 2 diesel fuel may also be used but will result in:

- noticeable odor
- additional fuel filter maintenance
- the need for nontoxic, anti-icer additives in very cold weather

Do not use fuels heavier than No. 2 grade or heavy oils such as oil drained from crankcases. These heavy oils will not ignite properly and will contaminate the space heater.

IMPORTANT: Use a KEROSENE ONLY (blue) or DIESEL ONLY (yellow) storage container. Be sure storage container is clean. Foreign matter such as rust, dirt, or water will cause the ignition control assembly to shut down space heater. Foreign matter may also require space heater's fuel system to be frequently cleaned.



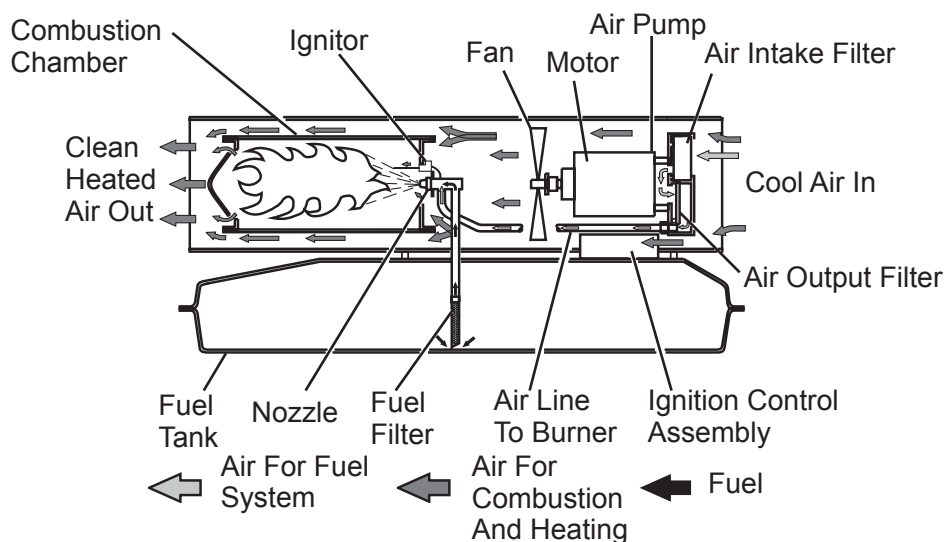
THEORY OF OPERATION

The Fuel System: The air pump forces air through the air line. The air is then pushed through the nozzle. This air causes fuel to be lifted from the tank. A fine mist of fuel is sprayed into the combustion chamber.

The Air System: The motor turns the fan. The fan pushes air into and around the combustion chamber. This air is heated and provides a stream of clean, hot air.

The Ignition System: The ignition control assembly provides power to the ignitor. This ignites the fuel / air mixture in the combustion chamber.

The Flame-Out Control System: This system causes the space heater to shut down if the flame goes out.



Operation

OPERATION

IMPORTANT: Review and understand the warnings in the Safety Information section. They are needed to safely operate this space heater. Follow all local ordinances and codes when using this space heater.

START SPACE HEATER:

1. Follow all ventilation and safety information.
2. Place the space heater in an area that provides maximum circulation of the heated air. Follow all location requirements noted in the Safety Information.
3. Fill fuel tank with kerosene, #1#2 diesel / fuel oil, JET A or JP-8 fuel.
4. Attach fuel cap.
5. For thermostat models, turn thermostat knob clockwise to the high position.
6. Plug space heater's power cord into approved, grounded, three-wire extension cord. Extension cord must be at least six feet (1.8 meters) long.

Extension Cord Size Requirement:

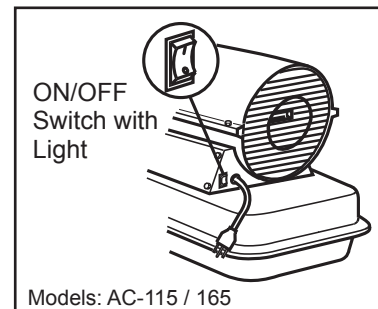
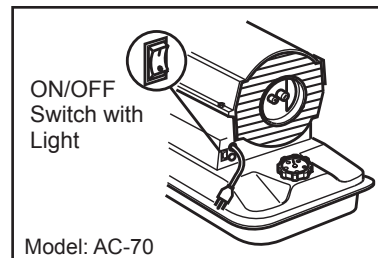
- 6 to 10 feet (1.8 to 3 meters) long, use 18AWG (0.75 mm²) rated cord
 - 11 to 100 feet (3.3 to 30.5 meters) long, use 16 AWG (1.0 mm²) rated cord
 - 101 to 200 feet (30.8 to 61 meters) long, use 14 AWG (1.5 mm²) rated cord
7. Plug extension cord into standard 120 volt / 60 hertz, 3-prong grounded outlet. Push ON / OFF switch to ON(I) position and space heater should start in 5 seconds. (Fig. 2) If space heater does not start, see Troubleshooting.

8. Adjust thermostat knob to the desired setting.

Note: A cold space heater may affect the thermostat setting. This thermostat is a general-heating control. It is not intended for precise temperature control. Adjust thermostat until space heater cycles at the desired setting.

STOP SPACE HEATER:

Push ON / OFF switch to OFF (O) position. Unplug space heater when not in use.



(Fig. 2)

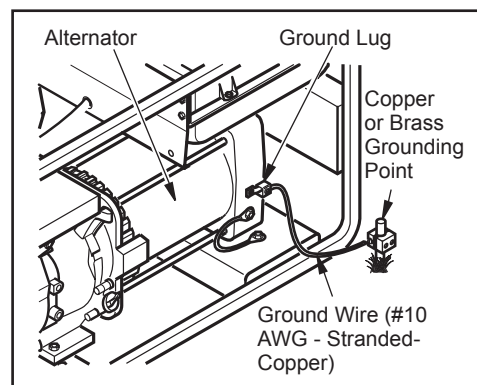
OPERATION (CONTINUED)

OPERATION WITH PORTABLE SPACE HEATER:

⚠ WARNING: BEFORE OPERATING SPACE HEATER OR ANY APPLIANCE FROM A PORTABLE SPACE HEATER, VERIFY THAT SPACE HEATER HAS BEEN PROPERLY CONNECTED TO THE GROUND (FIG. 3). IMPROPER GROUNDING OR FAILURE TO GROUND SPACE HEATER CAN RESULT IN ELECTROCUTION IF A GROUND FAULT OCCURS. REFER TO OWNER'S MANUAL SUPPLIED BY SPACE HEATER MANUFACTURER FOR PROPER GROUNDING PROCEDURES.

The operating voltage range of the space heater is 108 to 132 Volts (120 Volts +/- 10%). Prior to plugging space heater into space heater the output voltage should be verified (if space heater is equipped with the automatic idle feature, the output voltage should be measured with the space heater running at full speed). If the voltage does not measure in this range the space heater should not be plugged into the space heater.

Refer to Operation, for starting, stopping, and resetting space heater procedures.



(Fig. 3)

Troubleshooting



WARNING: HIGH VOLTAGE. NEVER SERVICE SPACE HEATER WHILE IT IS PLUGGED IN, OPERATING, OR HOT. SEVERE BURNS AND ELECTRICAL SHOCK CAN OCCUR.

Symptom	Problem	Solution
Motor does not start five seconds after space heater is plugged in.	No power to space heater.	Check circuit breaker in electrical panel.
	ON / OFF switch not in the ON (I) position.	Verify the ON / OFF switch is in ON (I) position and light is on.
	Thermostat setting is too low.	Turn thermostat knob to a higher setting.
	Bad electrical connection between motor and ignition control assembly or ignition control assembly and power cord.	Check all electrical connections.
	Binding pump rotor.	If fan does not turn freely, see "Maintenance: Pump Rotor".
	Defective ignition control assembly.	Replace ignition control assembly.
	Defective motor.	Replace motor.
	Blown fuse or ignitor control assembly.	See "Maintenance: Ignition Control Assembly".



WARNING: HIGH VOLTAGE. NEVER SERVICE SPACE HEATER WHILE IT IS PLUGGED IN, OPERATING, OR HOT. SEVERE BURNS AND ELECTRICAL SHOCK CAN OCCUR.

Symptom	Problem	Solution
Motor starts and runs but space heater does not ignite	No fuel in tank.	Fill tank with kerosene.
	Pump pressure incorrect.	See "Maintenance: Pump Pressure Adjustment".
	Dirty fuel filter.	See "Maintenance: Fuel Filter".
	Obstruction in nozzle.	See "Maintenance: Nozzle Assembly".
	Water in fuel tank.	Drain and flush fuel tank with clean kerosene.
	Bad electrical connection between ignitor and ignition control assembly.	Check electrical connections.
	Defective ignitor.	Replace ignitor, see "Maintenance: Ignitor".
Space heater ignites but ignition control assembly shuts space heater off after a short period of time.	Defective ignition control assembly.	Replace ignition control assembly.
	Pump pressure incorrect.	See "Maintenance: Pump Pressure Adjustment".
	Dirty air intake, air output, and/or lint filter.	See "Maintenance: Air Output, Air Intake, and Lint Filters".
	Dirty fuel filter.	See "Maintenance: Fuel Filter".
	Obstruction in nozzle.	See "Maintenance: Nozzle Assembly".
	Photocell assembly not properly installed (not seeing the flame).	Make sure photocell boot is properly seated in bracket.
	Dirty photocell lens.	Clean photocell lens.
	Bad electrical connection between photocell and ignition control assembly.	Check electrical connections.
	Defective photocell.	Replace photocell.
	Defective ignition control assembly.	Replace ignition control assembly.

Service

MAINTENANCE

PREVENTATIVE MAINTENANCE SCHEDULE:



WARNING: HIGH VOLTAGE. NEVER SERVICE Space heater WHILE IT IS PLUGGED IN, OPERATING, OR HOT. SEVERE BURNS AND ELECTRICAL SHOCK CAN OCCUR.

Item	How Often	How to
Fuel tank	Flush every 150-200 hours of operation or as needed.	See "Storage: Storing, Transporting, or Shipping".
Air output and lint filters	Replace every 500 hours of operation or once a year.	See "Maintenance: Air Output, Air Intake, and Lint Filters".
Air intake filter	Wash and dry with soap and water every 500 hours of operation or as needed.	See "Maintenance: Air Output, Air Intake, and Lint Filters".
Fuel filter	Clean twice a heating season or as needed.	See "Maintenance: Fuel Filter".
Ignitor	No maintenance required.	
Fan blades	Clean every season or as needed.	See "Maintenance: Fan".
Motor	Not required / permanently lubricated.	

MAINTENANCE (CONTINUED):

⚠ WARNING: TO AVOID RISK OF BURN AND ELECTRICAL SHOCK, NEVER ATTEMPT TO SERVICE SPACE HEATER WHILE IT IS PLUGGED IN, OPERATING, OR HOT.

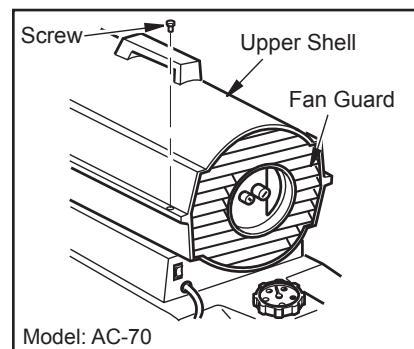
UPPER SHELL REMOVAL:

1. Remove screws along each side of space heater using 5/16" nut-driver. These screws attach upper and lower shells together. (Fig. 4 or 5)
2. Lift upper shell off.
3. Remove fan guard.

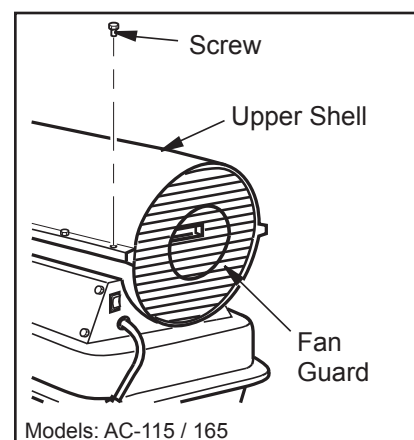
FAN:

IMPORTANT: Remove fan from motor shaft before removing motor from space heater. The weight of the motor resting on the fan could damage the fan pitch. (Fig. 6)

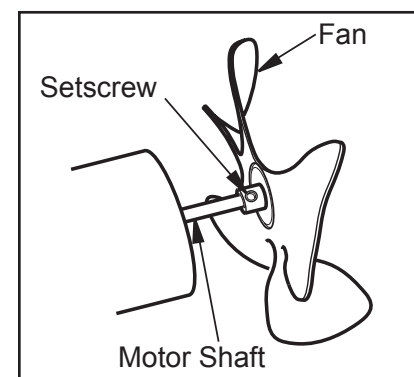
1. Remove upper shell. (Fig. 4 or 5)
2. Use 1/8" allen wrench to loosen setscrew which holds fan to motor shaft.
3. Slip fan off motor shaft.
4. Clean fan using a soft cloth moistened with kerosene or solvent.
5. Dry fan thoroughly.
6. Replace fan on motor shaft. Place fan hub flush with end of motor shaft. (Fig. 7)
7. Place setscrew on flat of shaft. Tighten setscrew firmly (40-50 inch-pounds / 4.5-5.6 n-m).
8. Replace fan guard and upper shell.



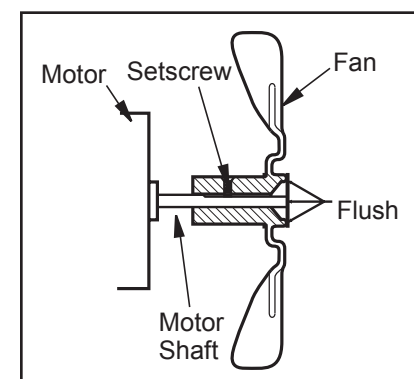
(Fig. 4)



(Fig. 5)



(Fig. 6)



(Fig. 7)

MAINTENANCE (CONTINUED):

AIR OUTPUT, AIR INTAKE AND LINT FILTERS:

1. Remove upper shell. (Fig. 4 or 5)
2. Remove filter end cover screws using 5/16" nut-driver. (Fig. 8 or 9)
3. Remove filter end cover.
4. Replace air output and lint filters.
5. Wash or replace air intake filter (see "Preventative Maintenance Schedule").
6. Replace filter end cover.
7. Replace fan guard and upper shell.

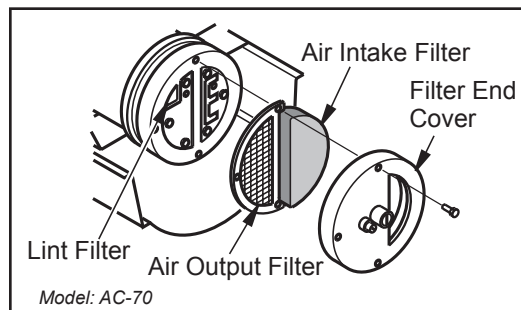
IMPORTANT: Do not oil filters.

PUMP PRESSURE ADJUSTMENT:

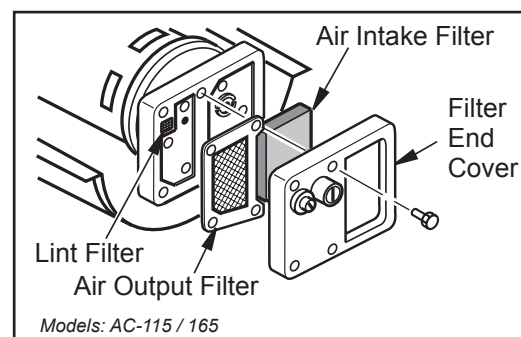
1. Remove pressure gauge plug from filter end cover (Fig. 10).
2. Install a pressure gauge.
3. Start space heater (See "Operation"). Allow motor to reach full speed.
4. Adjust pressure. Turn relief valve to right to increase pressure. Turn relief valve to left to decrease pressure (Fig. 11). See specifications below for correct pressure for each model.

Model:	Pump Pressure:
70	4.7 PSI
115	5.1 PSI
165	5.6 PSI

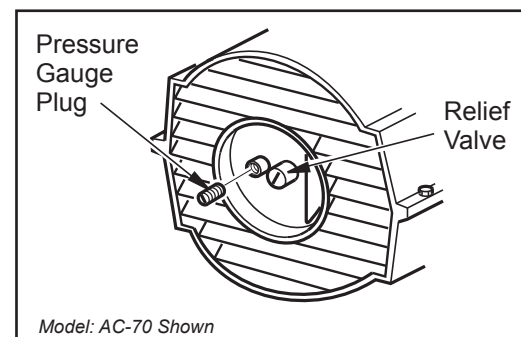
5. Remove pressure gauge. Replace pressure gauge plug in filter end cover.



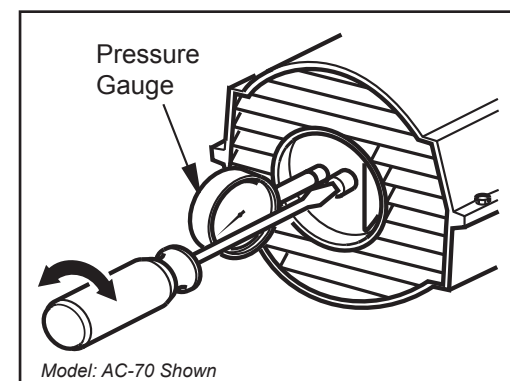
(Fig. 8)



(Fig. 9)



(Fig. 10)

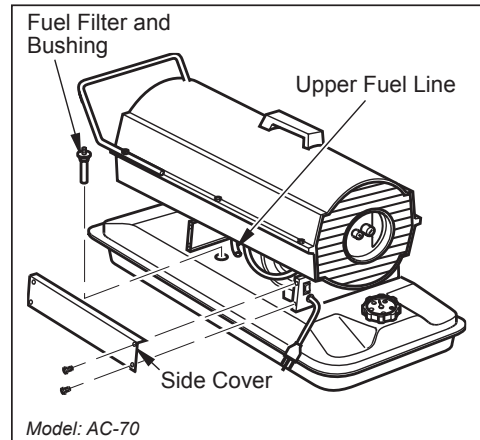


(Fig. 11)

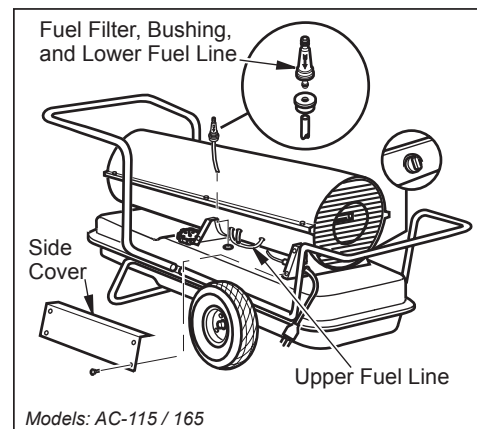
MAINTENANCE (CONTINUED):

FUEL FILTER:

1. Remove side cover screws using 5/16" nut-driver.
2. Remove side cover.
3. Pull upper fuel line off fuel filter neck (Fig. 12 or 13).
4. Carefully pry bushing, fuel filter, and lower fuel line (AC-115/165 models only) out of fuel tank (Fig. 13).
5. Wash fuel filter with clean fuel and replace in tank.
6. Attach upper fuel line to fuel filter neck.
7. Replace side cover.



(Fig. 12)



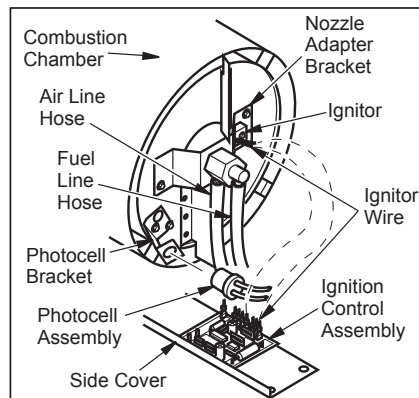
(Fig. 13)

MAINTENANCE (CONTINUED):**IGNITOR:**

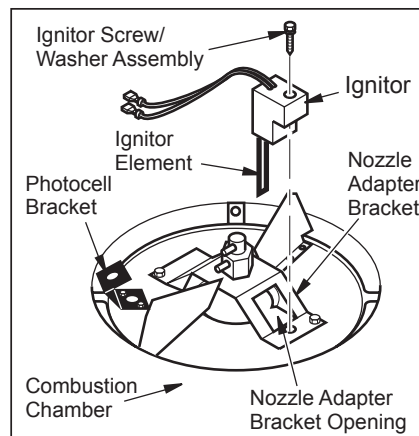
1. Remove upper shell and fan guard (See "Maintenance: Upper Shell Removal").
2. Remove fan.
3. Remove 4 side cover screws with a 5/16" nut driver. Remove side cover (Fig. 12 or 13).
4. Disconnect ignitor wires from ignition control assembly (Fig. 14). Pull the ignitor wires up through the hole in the lower shell.
5. Disconnect fuel line hose and air line hose. Remove photocell from photocell bracket (Fig. 14).
6. Remove combustion chamber. Stand combustion chamber on end with nozzle adapter bracket on top (Fig. 15).
7. Remove ignitor screw with a 1/4" nut driver. Carefully remove ignitor from nozzle adapter bracket.

CAUTION: DO NOT BEND OR STRIKE IGNITOR ELEMENT. HANDLE WITH CARE.

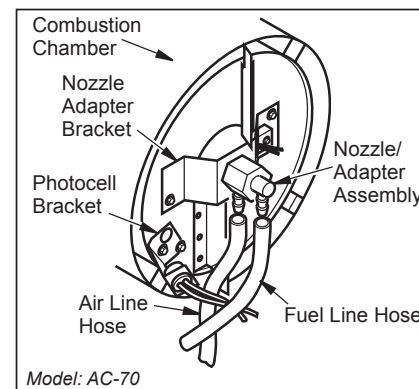
8. Carefully remove replacement ignitor from packing.
9. Carefully guide ignitor into opening in nozzle adapter bracket. Do not strike ignitor element. Attach ignitor to nozzle adapter bracket with screw using a 1/4" nut driver (Fig. 16). Torque .90 to 1.69 N-m (8 to 15 in-lbs) Do not over torque.
10. Replace combustion chamber.
11. Route the ignitor wires back down through the hole in the lower shell. Connect wires to the ignition control assembly (Fig. 15).
12. Replace side cover (Fig. 13 or 14).
13. Connect and route fuel line hose and air line hose to nozzle adapter assembly. See "Maintenance: Fuel and Air Line Replacement and Proper Routing".
14. Replace photocell in photocell bracket. Route wires as shown in either Fig. 16 or Fig. 17.
15. Replace fan.
16. Replace fan guard and upper shell.



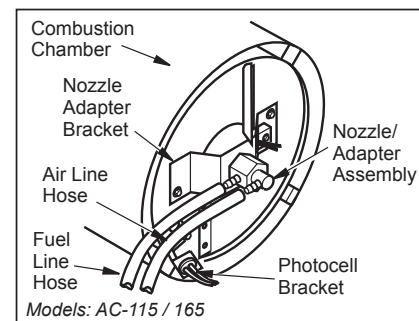
(Fig. 14)



(Fig. 15)



(Fig. 16)



(Fig. 17)

MAINTENANCE (CONTINUED):**NOZZLE ASSEMBLY:**

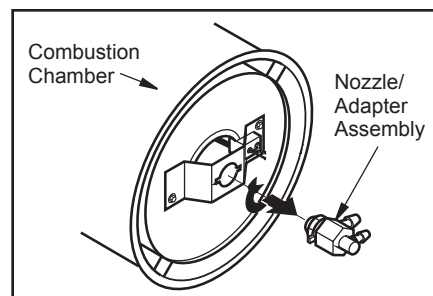
1. Remove upper shell (See "Maintenance: Upper Shell Removal")
2. Remove fan (See "Maintenance: Fan").
3. Remove fuel and air line hoses from nozzle assembly (Fig. 16 or Fig. 17).
4. Turn nozzle assembly 1/4 turn to left and pull toward motor to remove (Fig. 18).
5. Place plastic hex-body into vise and lightly tighten.
6. Carefully remove nozzle from the nozzle adapter using 5/8" socket wrench (Fig. 19).
7. Blow compressed air through face of nozzle. This will free any dirt in nozzle area.
8. Inspect nozzle sleeve for damage.
9. Replace nozzle into nozzle adapter until nozzle seats. Tighten 1/3 turn more using 5/8" socket wrench 4.5 to 5.1 N-m (40 to 45 in-lbs). See Fig. 19.
10. Attach nozzle assembly to burner strap (Fig. 18).
11. Attach fuel and airline hoses to nozzle assembly. See "Maintenance: Fuel and Air Line Replacement and Proper Routing".
12. Replace fan (See "Maintenance: Fan").
13. Replace fan guard and upper shell (See "Maintenance: Upper Shell Removal").

FUEL AND AIR LINE REPLACEMENT AND PROPER ROUTING:

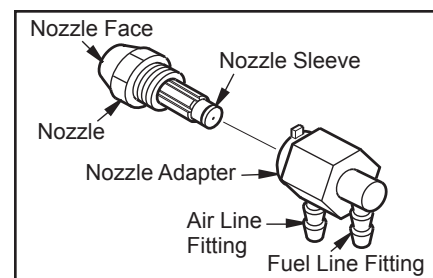
1. Remove upper shell (See "Maintenance: Upper Shell Removal").
2. Remove side cover screws using 5/16" nut driver (Fig. 12 or 13).
3. Remove side cover.
4. Inspect fuel and air line hoses for cracks and/or holes. If fuel line hose is damaged, disconnect from nozzle adapter (Fig. 16 or 17) and from fuel filter (See "Maintenance: Fuel Filter"). If air line hose is damaged, disconnect from nozzle adapter (Fig. 16 or 17) and from barb fitting on pump end cover (Fig. 20).
5. Install new air and/or fuel line. Attach one end of air line hose to barb fitting on pump end cover (Fig. 20) and the other end to nozzle adapter (Fig. 16 or 17). Attach one end of fuel line hose to fuel filter (see "Maintenance: Fuel Filter") and the other end to nozzle adapter (Fig. 16 or 17).

Note: Route hoses as shown in see Fig. 16 or 17, according to model. Hoses are not to touch photocell bracket.

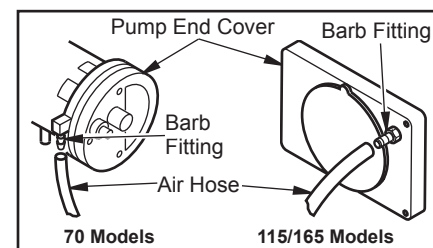
6. Replace side cover.
7. Replace upper shell and fan guard (See "Maintenance: Upper Shell Removal").



(Fig. 18)



(Fig. 19)



(Fig. 20)

MAINTENANCE (CONTINUED):**PUMP ROTOR:** (Procedure if Rotor is Binding)

1. Remove upper shell (See "Maintenance: Upper Shell Removal").
2. Remove filter end cover screws using 5/16" nut driver (Fig. 21 or 22).
3. Remove filter end cover and air filters.
4. Remove pump plate screws using 5/16" nut-driver.
5. Remove pump plate.
6. Remove rotor, insert, and blades (Fig. 21 or 22).
7. Check for debris in pump. If debris is found, blow out with compressed air.
8. Install insert and rotor.
9. Check gap on rotor. Adjust to .076/.101 mm (.003"/.004") if needed (Fig. 23).

Note: Rotate rotor one full turn to ensure the gap is .076/.101 mm (.003"/.004") at tightest position. Adjust if needed.

10. Install blades, pump plate, air filters, and filter end cover.
11. Replace fan guard and upper shell (see "Maintenance: Upper Shell Removal").
12. Adjust pump pressure (see "Maintenance: Pump Pressure Adjustment").

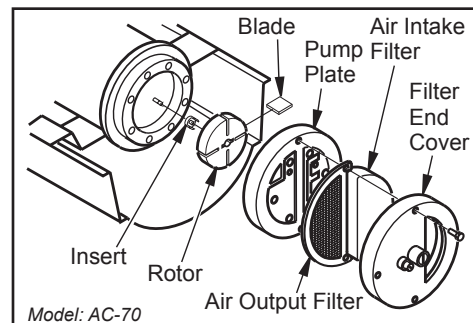
Note: If rotor is still binding, proceed as follows.

13. Perform steps 1 through 6.
14. Place fine grade sandpaper (600 grit) on flat surface. Sand rotor lightly in a "figure 8" motion four times (Fig. 24).
15. Reinstall insert and rotor.
16. Perform steps 10 through 12.

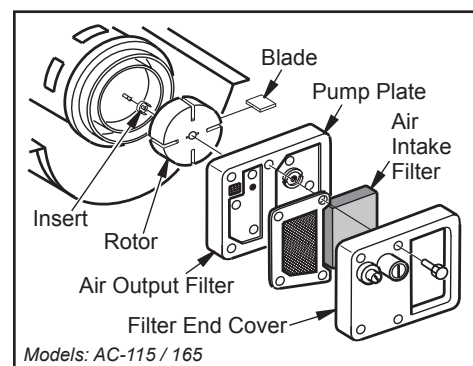
IGNITION CONTROL ASSEMBLY:

⚠ WARNING: HIGH VOLTAGE!

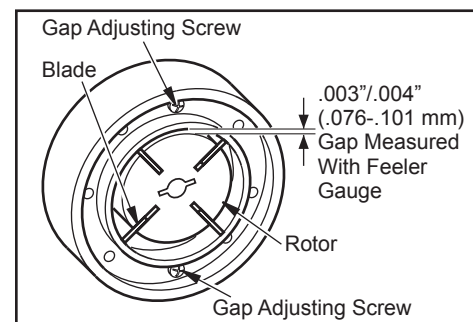
1. Unplug space heater.
2. Remove side cover screws (4) using 5/16" nut-driver to expose ignition control assembly.
3. Remove fuse cover (Fig. 25).
4. Remove fuse from fuse clips (see Fig. 25).
5. Replace fuse with fuse of the same type and rating (GMA-10). Do not substitute a fuse with a higher current rating.
6. Replace fuse cover (Fig. 25).
7. Replace side cover.



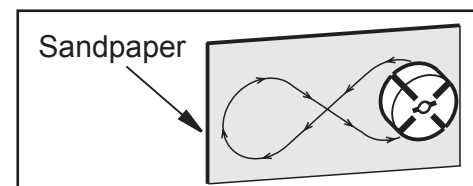
(Fig. 21)



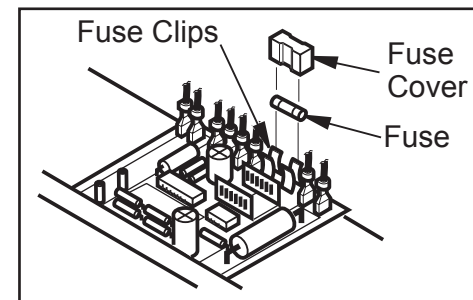
(Fig. 22)



(Fig. 23)



(Fig. 24)



(Fig. 25)

Storage

STORAGE

STORING, TRANSPORTING OR SHIPPING:

Note: *If shipping, transport companies require fuel tanks to be empty.*

1. Drain fuel tank.

Note: *Some models have drain plug on underside of fuel tank. If so, remove drain plug to drain all fuel. If space heater does not have drain plug, drain fuel through fuel cap opening. Be sure all fuel is removed.*

2. Replace drain plug if provided.

3. If any debris is noted in old fuel, add 1 or 2 quarts of clean kerosene to tank, stir, and drain again. This will prevent excess debris from clogging filters during future use.

4. Replace fuel cap or drain plug. Properly dispose of old and dirty fuel. Check with local automotive service stations that recycle oil.

5. If storing, store space heater in dry place. Make sure storage place is free of dust and corrosive fumes.

IMPORTANT: Do not store kerosene over summer months for use during next heating season. Using old fuel could damage space heater.

Specifications

ITEM	SPECIFICATION		
Model Size	70	115	165
Output Rating (BTU / Hr)	70,000	115,000	165,000
Fuel	Use only kerosene, #1/#2 diesel / fuel oil, JET A or JP-8 fuels*		
Fuel Tank Capacity (U.S. Gal. / Liters)	5 / 18.9	9 / 34	13.5 / 51
Fuel Consumption (Gal. Per Hr / Liters Per Hr)	.52 / 1.97	.85 / 3.00	1.2 / 4.54
Pump Pressure (psi)	4.7	5.1	5.6
Electric Requirements	120V / 60 HZ	120V / 60 HZ	120V / 60 HZ
Amperage (Normal Run)	2.8	3.6	3.6
Motor RPM	3440	3400	3400
Hot Air Output (CFM)	360	490	575
Motor HP	1/8	1/5	1/5
Shipping Weight (Approximate Pounds / Kilograms)	36 / 16.3	56 / 25.4	71 / 32.2
Space heater Weight without Fuel (Approximate Pounds / Kilograms)	32 / 14.5	48 / 21.8	61 / 27.7

* Use of #2 diesel & fuel oil will result in noticeable odor and could require additional fuel filter maintenance. Use in extreme cold temperatures may require nontoxic anti-icer additives.

RECORD SERIAL NUMBER

Write you model number, machine serial number and date of purchase in the spaces provided below. Your dealer needs this information when ordering parts.

Model No. _____

Machine Serial No. _____

Date of Purchase _____
(To be filled in by purchaser)

STATEMENT OF WARRANTY

John Deere warrants all parts, (except those referred to below), of your new space heater to be free from defects in materials and workmanship during the following periods:

For Two (2) Years from the date of original purchase.

Defective parts not subject to normal wear and tear will be repaired or replaced at our option during the warranty period. In any event, reimbursement is limited to the purchase price paid.

EXCLUSIONS

1. This warranty does not cover parts damaged due to normal wear, misapplication, misuse, operation at other than recommended. Failure to follow recommended operating and maintenance procedures also voids warranty.
2. The use of other than genuine manufacturer repair parts will void warranty.
3. Warranty will be void if used in any application other than consumer / homeowner. Parts returned, prepaid to our factory or to an Authorized John Deere Service Center will be inspected and replaced free of charge if found to be defective and subject to warranty. There are no warranties which extend beyond the description of the face hereof. Under no circumstances shall the manufacturer bear any responsibility for loss of use of the unit, loss of time or rental, inconvenience, commercial loss or consequential damages.

For Service or Warranty Consideration, contact
Mi-T-M® Corporation, 8650 Enterprise Drive, Peosta, IA 52068
1-877-JD-KLEEN / (1-877-535-5336) Fax 563-556-1235
Monday - Friday 8:00 a.m. - 5:00 p.m. CST

Notes

Introduction

MERCI de la confiance témoignée par l'achat d'un produit John Deere.

LIRE CE MANUEL ATTENTIVEMENT AFIN de pouvoir utiliser et entretenir correctement votre appareil, sinon des dommages corporels ou matériels pourraient en résulter. Ce manuel et les symboles de sécurité sur votre appareil peuvent également être disponible en d'autres langues. (Voir votre concessionnaire John Deere pour les commander.)

CE MANUEL DOIT ÊTRE CONSIDÉRÉ comme faisant partie intégrante de votre appareil et doit l'accompagner en cas de revente.

LES MESURES dans ce manuel sont indiquées à la fois dans leurs équivalents métriques et en unités usuelles des USA. Utiliser seulement les pièces de rechange et les éléments de fixation corrects. Les éléments de fixation métriques et en pouces peuvent nécessiter des clés spécifiques à leurs système d'unités.

LES CÔTÉS DROITS ET GAUCHES de l'appareil sont déterminés en faisant face au côté moteur de l'appareil.

Le NUMÉRO DE SÉRIE de l'appareil se situe dans la section Caractéristiques ou Numéros d'Identification. Noter correctement tous les numéros afin de faciliter les recherches en cas de vol. Les communiquer également au concessionnaire lors de toute commande de pièces. Ranger les numéros d'identification dans un endroit sûr et séparé de l'appareil.

LA GARANTIE fait partie du programme de soutien John Deere destiné aux clients qui utilisent et entretiennent leur équipement tel qu'il est décrit dans ce manuel. Les conditions de garantie dont bénéficie cet appareil figurent sur le certificat de garantie dans ce manuel.

Cette garantie vous fournit l'assurance que votre concessionnaire fournira du support pour les produits où des défauts apparaîtraient au cours de la période de garantie. Toute utilisation abusive de l'équipement ou modification visant à dépasser les performances spécifiées par le constructeur annuleront la garantie.



AVERTISSEMENT

Cet appareil contient ou produit des produits chimiques déterminés par l'État de Californie comme cancérigènes et pouvant causer des malformations congénitales et d'autres problèmes reliés à la reproduction.

Table des matières

	Page
Sécurité	32
Commandes	38
Assemblage	39
Préparation	40
Fonctionnement	42
Dépannage	44
Entretien	46
Remisage	53
Caractéristiques	54
Garantie	55
Note	56

Toutes les informations, illustrations et caractéristiques contenues dans la présente publication sont à jour au moment de la publication, le constructeur se réservant le droit d'apporter sans notification toute modification jugée appropriée.

Sécurité

RECONNAITRE LES SYMBOLES DE SÉCURITÉ

Voici le symbole d'alerte de sécurité. Lorsqu'il apparaît sur votre appareil ou dans ce manuel, rester conscient du risque potentiel de blessures.

Respecter tous les conseils de sécurité ainsi que les consignes générales de prévention des accidents.



COMPRENDRE LES MOTS D'ALERTE

Un mot d'alerte—DANGER, AVERTISSEMENT ou ATTENTION—est utilisé avec le symbole d'alerte de sécurité. Le terme DANGER identifie les dangers les plus graves.

Les signes de sécurité avec DANGER ou AVERTISSEMENT se trouvent près des dangers spécifiques. Les signes de sécurité avec ATTENTION se réfèrent à des précautions d'ordre général. Le terme ATTENTION demande aussi de prêter attention aux messages de sécurité dans ce manuel.

 **DANGER**

 **WARNING**

 **CAUTION**

RESPECTER LES CONSEILS DE SÉCURITÉ

Lire attentivement tous les conseils de sécurité contenus dans ce manuel et ceux apposés sur l'appareil. Veiller à ce que les signes de sécurité soient lisibles. Remplacer ceux qui manqueraient ou seraient endommagés. S'assurer que les nouveaux composants ou pièces de rechange incluent les signes de sécurité courants. Des signes de rechange sont disponibles chez votre concessionnaire John Deere.

Lisez attentivement et entièrement ce manuel d'utilisation avant de tenter d'assembler, de faire fonctionner ou de réparer ce radiateur. Une mauvaise utilisation de cet appareil de chauffage peut causer de graves blessures, voire la mort, suite à des brûlures, un incendie, une explosion, une décharge électrique ou un empoisonnement au monoxyde de carbone.

Lisez et comprenez tous les avertissements. Conservez ce manuel pour consultation future. Il vous permettra de faire fonctionner cet appareil de chauffage correctement et en toute sécurité.

Si vous ne comprenez pas toute partie de ce manuel et avez besoin d'assistance, prenez contact avec votre concessionnaire John Deere.



OXYDE DE CARBONE – GAZ TOXIQUE

 **DANGER: L'EMPOISONNEMENT AU MONOXYDE DE CARBONE PEUT ÊTRE MORTEL!**

Le gaz d'échappement du carburant contient de l'oxyde de carbone – un gaz toxique qui peut vous tuer. Vous NE POUVEZ PAS sentir ou voir ce gaz.

Ne jamais se servir d'un carburant dans des espaces fermés ou partiellement fermés sans ventilation appropriée. Ne l'utilisez que dans des endroits bien aérés. Avant d'utiliser l'appareil de chauffage, aménagez une ouverture d'air frais provenant de l'extérieur d'au moins 0,28 m² (3 pi²) pour chaque 30 kW (100 000 BTU/h) de puissance. Les groupes électrogènes peuvent produire de hauts niveaux d'oxyde de carbone très rapidement. Pendant l'utilisation d'un carburant, se rappeler que vous ne pouvez pas sentir ou voir l'oxyde de carbone. Même si vous ne sentez pas les gaz d'échappement, vous pouvez tout de même être exposé à l'oxyde de carbone.

Si vous commencez à vous sentir malade, étourdi, ou faible pendant l'utilisation d'un carburant, sortez au grand air immédiatement. NE PAS ATTENDRE. L'oxyde de carbone provenant des groupes électrogènes peut rapidement être la cause d'une incapacité complète ou de mort.

En cas des symptômes sérieux, trouver de l'aide médicale immédiatement. Informer le personnel médical qu'une intoxication à l'oxyde de carbone est possible. Si vos symptômes sont apparus à l'intérieur, ne pas retourner dans le bâtiment avant que les sapeurs pompiers s'assurent que le bâtiment est sans danger.

NE JAMAIS utiliser le carburant dans une atmosphère explosible, près de matériaux combustibles ou dans un endroit où la ventilation n'est pas suffisante pour évacuer les gaz d'échappement. **Les gaz d'échappement peuvent être la cause de blessures graves ou de mort.**

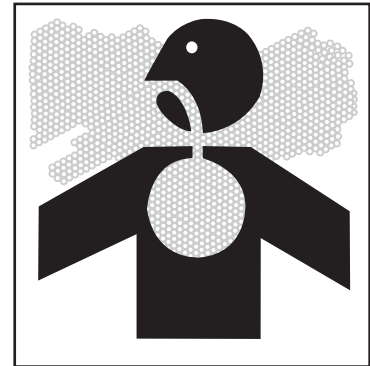
NE JAMAIS se servir d'un carburant à l'intérieur, que ce soit dans des maisons, garages, sous-sols, vides de comble ou vides sanitaire, et autres espaces fermés ou partiellement fermés, sans ventilation appropriée. Le fait d'ouvrir des fenêtres et des portes ou d'utiliser des ventilateurs n'empêchera pas l'accumulation d'oxyde de carbone dans la maison. Ne l'utilisez que dans des endroits bien aérés. Avant d'utiliser l'appareil de chauffage, aménagez une ouverture d'air frais provenant de l'extérieur d'au moins 0,28 m² (3 pi²) pour chaque 30 kW (100 000 BTU/h) de puissance.

Les premiers symptômes d'un empoisonnement au monoxyde de carbone ressemblent à la grippe avec des maux de tête, des vertiges ou de la nausée.

Si vous avez ces symptômes, il se pourrait que l'appareil de chauffage ne fonctionne pas bien. Respirez tout de suite de l'air frais ! Faites réparer le radiateur. Certaines personnes sont plus affectées par le monoxyde de carbone que d'autres. Celles-ci comprennent les femmes enceintes, les personnes souffrant de maladies cardiaques ou pulmonaires ou d'anémie, celles qui sont en état d'ébriété et celles qui vivent à haute altitude.

Installer des alarmes d'oxyde de carbone à piles ou des alarmes d'oxyde de carbone avec batterie de secours qui se branche dans votre maison, selon les instructions d'installation du fabricant. Les alarmes d'oxyde de carbone doivent être conforme aux exigences des dernières normes de sécurité pour les alarmes d'oxyde de carbone. (UL 2034, IAS 6-96, ou CSA 6.19.01).

Tester votre alarme d'oxyde de carbone fréquemment et remplacer les piles à plat.





CONSIGNES DE SÉCURITÉ LORS DU RAVITAILLEMENT EN CARBURANT

Utilisez seulement du kérosène, du diesel ou mazout n° 1 et n° 2 et des combustibles JET A ou JP-8 afin d'éviter tout risque d'incendie ou d'explosion. N'utilisez jamais d'essence, de naphte, de diluant pour peinture, d'alcool ou autre combustible hautement inflammable.

Le personnel responsable de l'alimentation en carburant doit être qualifié et complètement familier avec les instructions du fabricant et avec les règlements en vigueur concernant l'alimentation en carburant des appareils de chauffage.

Il faut utiliser seulement le type de carburant indiqué sur la plaque signalétique de l'appareil de chauffage.

Avant de procéder à l'alimentation en carburant, il faut éteindre toute flamme, y compris la veilleuse, le cas échéant, et permettre à l'appareil de chauffage de se refroidir.

Pendant l'alimentation, il faut inspecter toutes les canalisations de carburant et leurs connexions pour vérifier s'il y a des fuites. Toute fuite doit être réparée avant de remettre en marche l'appareil de chauffage.

Il ne faut jamais entreposer à l'intérieur du bâtiment une quantité de carburant supérieure à celle nécessaire pour une journée près de l'appareil de chauffage. Les réserves de carburant doivent demeurer à l'extérieur du bâtiment.

Tout stockage de combustible doit être situé à plus de 7,62 m (25 pi) des appareils de chauffage, des chalumeaux, des appareils de soudage et autres sources d'allumage similaires (sauf le réservoir de carburant intégré à l'appareil de chauffage).

Dans la mesure du possible, l'entreposage du carburant doit se limiter aux endroits où le plancher ne permettra pas au carburant de se répandre ou d'être allumé par une flamme à un niveau inférieur.

L'entreposage du carburant doit se conformer aux règlements en vigueur.

Respecter tous les règlements de sécurité concernant la manipulation sans danger de carburant. Manier le carburant dans des récipients de sécurité. Si le récipient n'a pas de bec, se servir d'un entonnoir.

Ne pas trop remplir le réservoir de carburant, laisser toujours de la place pour que le carburant se dilate.

Ne jamais remplir le réservoir de carburant lorsque le moteur tourne. Arrêter le carburant et lui permettre de refroidir avant de le ravitailler en carburant. L'essence renversée sur les parties chaudes du moteur pourrait s'enflammer.

Ne remplir le réservoir de carburant que sur une surface nue. Lors du ravitaillement en carburant, écarter le réservoir de toute source de chaleur, d'étincelles ou de flammes nues.

Remplir toujours le réservoir de carburant dans un endroit avec une bonne ventilation pour éviter d'inhaler des vapeurs dangereuses.

N'entreposer JAMAIS le carburant de votre carburant dans la maison. L'essence, le propane, le kérosène, et autres liquides inflammables doivent être entreposés en dehors des espaces habités dans des récipients de sécurité (pas en verre) clairement étiquetés. Ne pas les entreposer près d'un appareil alimenté en combustible, tel qu'un chauffe-eau au gaz naturel dans un garage. Si du carburant est renversé ou si le récipient n'est pas fermé correctement, des vapeurs invisibles provenant du carburant peuvent voyager le long du sol et peuvent être enflammées par la veilleuse de l'appareil ou par des arcs des interrupteurs électriques dans l'appareil.



RISQUES ÉLECTRIQUES

DANGER - Un branchement incorrect du conducteur de mise à la terre de l'équipement peut entraîner des risques d'électrocution. Vérifier avec un dépanneur ou un électricien qualifié en cas de doutes concernant la mise à la terre.



N'utilisez que la tension et la fréquence électrique indiquées sur la plaque signalétique.

L'appareil de chauffage doit être mis à la terre. N'utilisez qu'une rallonge électrique trifilaire avec mise à la terre. Ne le branchez que dans une prise avec mise à la terre. En cas de mauvais fonctionnement ou de panne, la mise à la terre fournit un chemin de moindre résistance au courant électrique, réduisant ainsi les risques de choc électrique.

Le carburant est une source potentielle de choc électrique si il n'est pas gardé au sec. Maintenir le carburant au sec et ne pas l'utiliser par temps de pluie ou dans des conditions humides. Pour protéger le carburant contre l'humidité, s'en servir sur une surface sèche et sous une structure ouverte tel qu'un auvent. Ne jamais toucher le carburant avec les mains mouillées.

Vérifier que toute la rallonge est en bon état, sans entailles ou déchirures et que la fiche a bien trois broches, et surtout une lame de terre.

CONSEILS DE SÉCURITÉ IMPORTANTS

1. N'utilisez que dans des endroits libres de vapeur inflammable et de poussière.
2. Distance minimale de tout matériau combustible : 2,44 m (8 pi) de toute sortie d'air brûlant, 1,22 m (4 pi) du dessus et 1,22 m (4 pi) des côtés et de l'admission d'air.
3. Placez l'appareil de chauffage sur une surface stable et de niveau lorsqu'il est chaud ou lorsqu'il est en marche, pour éviter tout risque d'incendie.
4. Ne l'utilisez que dans des endroits bien aérés. Avant d'utiliser l'appareil de chauffage, aménagez une ouverture d'air frais provenant de l'extérieur d'au moins 0,28 m² (3 pi²) pour chaque 30 kW (100 000 BTU/h) de puissance.
5. Gardez les enfants et les animaux éloignés de l'appareil de chauffage en tout temps.
6. Ne mettez jamais l'appareil de chauffage en marche lorsque la chambre de combustion est chaude ou si du carburant s'y est accumulé.
7. Lorsque utilisé avec un thermostat, l'appareil de chauffage peut démarrer en tout temps.
8. Lorsque l'appareil est déplacé ou entreposé, il doit demeurer de niveau avec le sol pour éviter des fuites de carburant.
9. Utilisez l'appareil de chauffage en respectant les règlements et les normes locales.
10. N'utilisez jamais d'essence, de vidange de bloc-cylindre, de naphte, de diluant de peinture, d'alcool ou autre combustible hautement inflammable.
11. N'utilisez jamais l'appareil de chauffage en présence d'essence, de solvant à peinture ou d'autre vapeur hautement inflammable.
12. N'utilisez jamais l'appareil de chauffage dans une chambre à coucher ou un salon.
13. Ne laissez jamais un appareil de chauffage branché sans supervision lorsque des enfants ou des animaux pourraient être présents.
14. Il ne faut jamais déplacer, manipuler, remplir ou réparer un appareil de chauffage chaud, en marche ou branché.
15. N'installez jamais de système de conduits d'air à l'avant ou à l'arrière de l'appareil de chauffage.
16. N'attachez jamais l'appareil de chauffage à un réservoir de carburant externe.
17. Les appareils de chauffage à proximité de bâches, de toiles et d'autres matériaux semblables doivent être maintenus à une bonne distance de ces derniers. La distance minimale de sécurité recommandée est de 3,05 m (10 pi). De plus, il est conseillé d'utiliser des bâches de protection ignifuges. Ces matériaux doivent être solidement attachés pour les empêcher de s'enflammer ou de nuire à l'appareil de chauffage sous l'action du vent.
18. Débranchez l'appareil lorsqu'il n'est pas utilisé.
19. Ne bloquez jamais la prise d'air (à l'arrière) ou la sortie d'air (en avant) de l'appareil de chauffage.



CONSERVER CES INSTRUCTIONS



PORTER DES VÊTEMENTS DE PROTECTION

Porter des vêtements ajustés et un équipement de sécurité adapté au travail.

Porter un dispositif protecteur d'audition approprié tel que des couvre-oreilles ou des bouche-oreilles pour se protéger contre des bruits forts répréhensibles ou inconfortables.

La pleine attention de l'opérateur est requise afin d'utiliser l'équipement en toute sécurité. Ne pas porter des écouteurs de radio ou de musique tout en actionnant la machine.

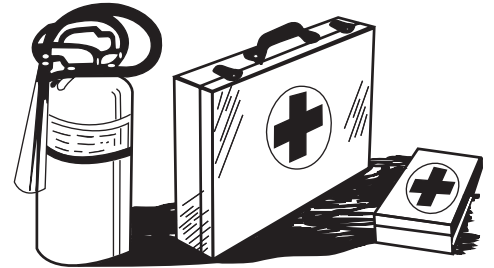


PRÉPARATION POUR LES URGENCES

Garder une trousse des premiers secours et un extincteur à portée de la main.

Garder les numéros d'urgence des docteurs, du service d'ambulance, de l'hôpital et des pompiers en cas d'urgence près du téléphone.

Etre prêt si un incendie débute.



INSPECTER LE DE L'APPAREIL DE CHAUFFAGE

S'assurer que tous les couvercles, gardes et plaques de protection sont serrés et bien en place.

Repérer toutes les commandes et les étiquettes de sécurité.

Inspecter le cordon de secteur pour déceler tout dommage avant utilisation. Il y a un risque de choc électrique en cas d'écrasement, de coupures ou de lésions dues à la chaleur.

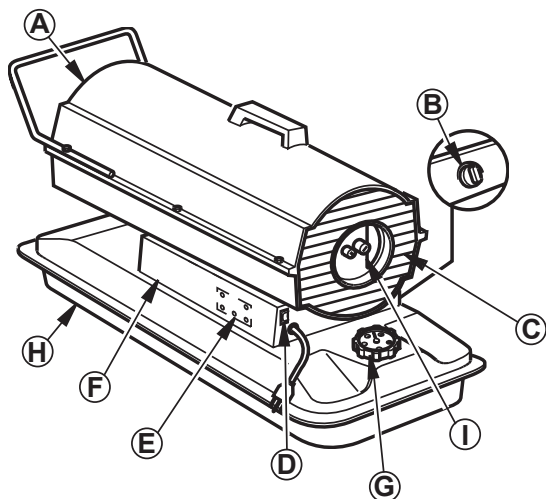
FAIRE L'ENTRETIEN DU DE L'APPAREIL DE CHAUFFAGE EN TOUTE SÉCURITÉ

Avant d'entretenir le de l'appareil de chauffage, débrancher tout l'équipement et la batterie (s'il en est équipé) et permettre à l'appareil de refroidir.

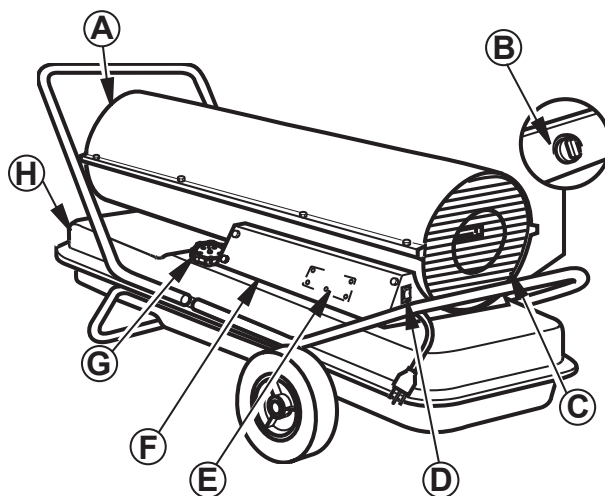
Faire l'entretien du de l'appareil de chauffage dans un endroit propre, sec et plat.

Commandes

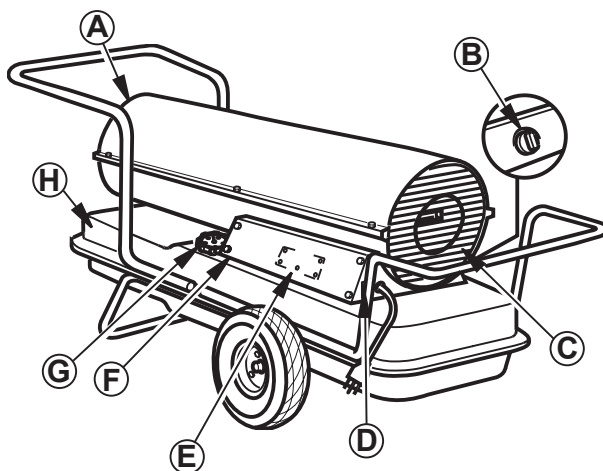
COMMANDES



AC-70



AC-115



AC-165

A -- Sortie d'air chaud
B -- Bouton du thermostat
C -- Grille de protection du ventilateur

D -- Interrupteur de marche/arrêt avec voyant
E -- Assemblage de la commande d'allumage (monté à l'arrière du panneau latéral)
F -- Panneau latéral

G -- Bouchon et jauge de carburant
H -- Réservoir de carburant
I -- Couverture des filtres à air

Assemblage

ASSEMBLAGE

NOTA: Pour les modèles 115 et 165 uniquement.

Ces modèles sont équipés de roues et d'une poignée. Certains modèles sont équipés d'une seconde poignée. Les roues, la ou les poignées, et les pièces de montage se trouvent dans le carton d'expédition.

Outils nécessaires:

- Tournevis cruciforme moyen
- Clé à molette ou ouverte de 3/8 po
- Marteau

1. Faites glisser l'essieu par l'armature de montage des roues. Si des entretoises sont fournies, installez-les. Installez les roues sur l'essieu.

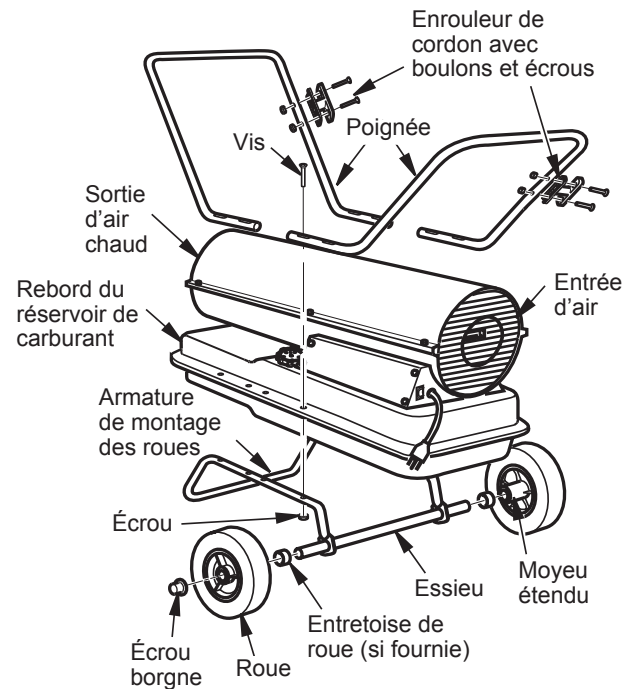
IMPORTANT : En installant les roues, pointez le moyeu le plus long des roues vers l'armature de montage des roues (voir figure 1).

2. Placez des écrous borgnes aux extrémités de l'essieu. Tapez doucement avec un marteau pour les fixer en place.

3. Déposez l'appareil de chauffage sur l'armature de montage des roues. Alignez les trous qui se trouvent sur le rebord du réservoir de carburant avec ceux qui se trouvent sur l'armature de montage des roues.

4. Placez la ou les poignées sur le rebord du réservoir de carburant. Insérez les vis à travers la ou les poignées, le rebord du réservoir de carburant et l'armature de montage des roues. Une fois la vis insérée, vissez l'écrou avec vos doigts.

5. Quand toutes les vis sont insérées, serrez les écrous fermement.



(Fig. 1)

Préparation

VENTILATION

AVERTISSEMENT : PRÉVOIR UNE OUVERTURE D'AIR FRAIS D'AU MOINS 0,28 M² (3 PI²) POUR CHAQUE 100 000 BTU/H DE PUISSANCE. FOURNIR D'AVANTAGE D'AIR FRAIS SI PLUS D'UN APPAREIL DE CHAUFFAGE EST UTILISÉ. IL FAUT RESPECTER LES EXIGENCES MINIMALES DE VENTILATION POUR ÉVITER LES RISQUES ASSOCIÉS À L'EMPOISONNEMENT AU MONOXYDE DE CARBONE. VÉRIFIER QUE CES EXIGENCES SONT RESPECTÉES AVANT DE METTRE L'APPAREIL DE CHAUFFAGE EN MARCHÉ.

Exemple : Un appareil de 58,6 kW (200 000 Btu/h) exige l'une des ouvertures suivantes :

- une double porte de garage [ouverture de 4,88 m (16 pi)] soulevée de 12,7 cm (5 po)
- une porte de garage simple [ouverture de 2,74 m (9 pi)] soulevée de 20,3 cm (8 po)
- deux fenêtres de 76,2 cm (30 po) soulevées de 38,1 cm (15 po)

CARBURANTS

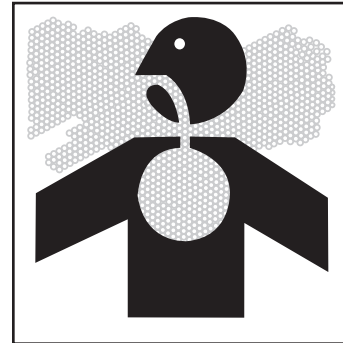
AVERTISSEMENT : N'UTILISER QUE DU KÉROSÈNE, DU DIESEL OU MAZOUT N° 1 OU N° 2, ET DES COMBUSTIBLES JET A OU JP-8 AFIN D'ÉVITER TOUT RISQUE D'INCENDIE OU D'EXPLOSION. N'UTILISEZ JAMAIS D'ESSENCE, D'HUILE VIDANGÉE DE BLOC-CYLINDRE, DE NAPHTÉ, DE DILUANTS POUR PEINTURE, D'ALCOOL OU D'AUTRES CARBURANTS HAUTEMENT INFLAMMABLES.

N'utilisez que du kérosène, du diesel ou mazout n° 1 ou n° 2 ou des combustibles JET A ou JP-8. Des combustibles plus lourds, comme le mazout n° 2 ou le carburant diesel n° 2, peuvent également être employés, mais il en résultera :

- la production d'une odeur perceptible
- l'entretien supplémentaire du filtre à combustible
- le besoin d'utiliser des additifs antigivrants non toxiques par temps très froid

N'utilisez pas de combustibles plus lourds que ceux de calibre n° 2 ou d'huiles lourdes telles que celles provenant de carters de moteurs. Ces huiles lourdes ne brûleront pas bien et contamineront l'appareil de chauffage.

IMPORTANT : N'utilisez que des contenants POUR LE KÉROSÈNE (bleu) ou POUR LE DIESEL (jaune) pour entreposer le carburant. Assurez-vous que le contenant d'entreposage est propre. La présence de matières étrangères telles que la rouille, les saletés ou l'eau provoquera une panne de l'assemblage de la commande d'allumage de l'appareil de chauffage. La présence de matières étrangères exigera aussi que le système de carburant de l'appareil de chauffage soit nettoyé plus souvent.



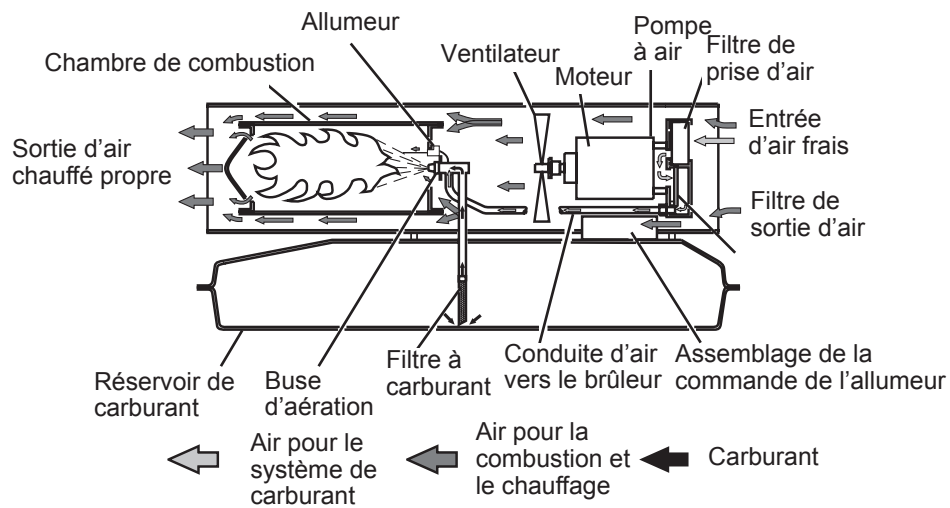
THÉORIE DE FONCTIONNEMENT

Système d'alimentation en carburant : la pompe à air force l'air dans la canalisation. L'air est ensuite poussé à travers la buse d'aération. Cet air fait en sorte que du carburant est aspiré du réservoir. Une fine brume de carburant est vaporisée dans la chambre de combustion.

Système d'admission d'air : le moteur fait tourner le ventilateur. Le ventilateur pousse l'air à l'intérieur et autour de la chambre de combustion. L'air est chauffé et fournit un courant d'air propre et chaud.

Circuit d'allumage : l'assemblage de la commande d'allumage fournit le courant à l'allumeur. Cela allume le mélange de carburant et d'air dans la chambre de combustion.

Système de contrôle de l'extinction de la flamme : ce système provoque l'arrêt de l'appareil de chauffage en cas d'extinction de la flamme.



Fonctionnement

FONCTIONNEMENT

IMPORTANT : Lisez et comprenez les avertissements de la rubrique Informations relatives à la sécurité. Ils sont requis pour faire fonctionner cet appareil de chauffage sans danger. Conformez-vous à tous les règlements et codes locaux lorsque vous utilisez cet appareil de chauffage.

POUR DÉMARRER LE RADIATEUR:

1. Suivez toutes les consignes sur la ventilation et la sécurité.
2. Placez l'appareil de chauffage de façon à fournir une circulation maximale d'air chaud. Suivez toutes les exigences d'emplacement précisées à la rubrique Informations relatives à la sécurité.
3. Remplissez le réservoir de carburant avec du kérosène, du diesel ou du mazout n °1 ou n °2 ou du carburant d'aviation JET A ou JP-8.
4. Replacez le bouchon du réservoir de carburant.
5. Sur les modèles à thermostat, tournez le bouton du thermostat dans le sens des aiguilles d'une montre pour le mettre au plus chaud.
6. Branchez le câble d'alimentation de l'appareil de chauffage dans une rallonge électrique trifilaire approuvée avec mise à la terre. La rallonge électrique doit mesurer au moins 1,80 m (6 pi).

Exigences des dimensions de la rallonge électrique:

De 1,8 à 3 m de long (6 à 10 pi), utilisez un cordon de norme américaine AGW 18 (0,75 mm²)

De 3,3 m à 30,5 m de long (11 à 100 pi), utilisez un câble de norme américaine AWG 16 (1,0 mm²)

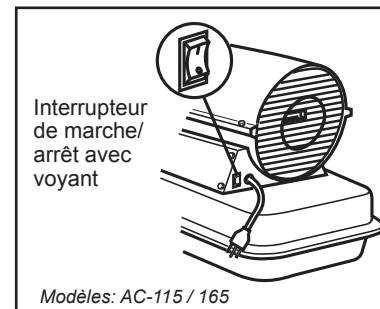
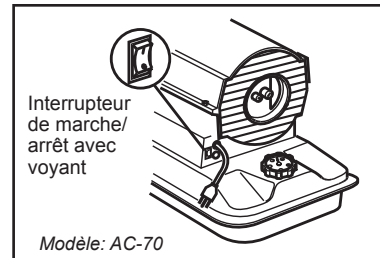
De 30,8 m à 61 m de long (101 à 200 pi), utilisez un câble de norme américaine AWG 14 (1,5 mm²)

7. Branchez la rallonge électrique dans une prise de courant à trois branches ordinaire de 120 volt/60 hertz avec mise à la terre. Appuyez sur l'interrupteur de marche/arrêt pour le mettre en marche (I); l'appareil de chauffage devrait se mettre en route dans les 5 secondes qui suivent. Si l'appareil de chauffage ne s'allume pas, consultez la rubrique Dépannage. (Fig. 2)
8. Réglez le bouton du thermostat à la position de votre choix.

NOTE : Un appareil de chauffage froid peut affecter le réglage du thermostat. Ce thermostat sert de commande générale de la chaleur. Il n'est pas conçu pour un contrôle précis de la température. Ajustez le thermostat jusqu'à ce que le cycle de l'appareil de chauffage soit réglé selon vos besoins.

POUR ARRÊTER L'APPAREIL DE CHAUFFAGE:

Appuyez sur le commutateur marche/arrêt à la position d'arrêt (O). Débranchez l'appareil lorsqu'il n'est pas utilisé.



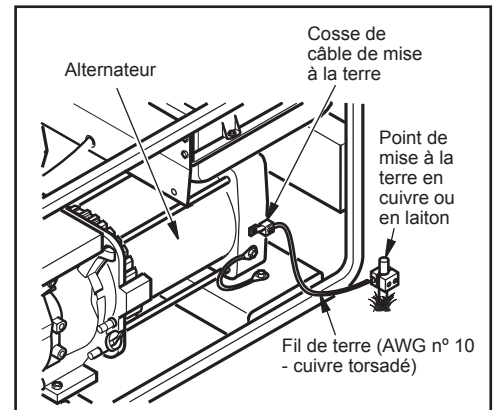
(Fig. 2)

FONCTIONNEMENT (CONTINUÉ)**FONCTIONNEMENT AVEC GÉNÉRATRICE PORTATIVE:**

AVERTISSEMENT : AVANT DE FAIRE FONCTIONNER L'APPAREIL DE CHAUFFAGE OU N'IMPORTE QUEL APPAREIL À L'AIDÉ D'UNE GÉNÉRATRICE PORTATIVE, VÉRIFIER QUE CETTE DERNIÈRE A ÉTÉ MISE À LA TERRE CORRECTEMENT (FIG. 3). UN GÉNÉRATEUR DONT LA MISE À LA TERRE EST DÉFECTUEUSE OU INEXISTANTE POURRAIT ENTRAÎNER UNE ÉLECTROCUTION EN CAS DE DÉFAUT DE MISE À LA TERRE. CONSULTEZ LE MANUEL D'UTILISATION FOURNI PAR LE FABRICANT DU GÉNÉRATEUR POUR DES PROCÉDURES DE MISE À LA TERRE.

La plage de tension du fonctionnement de l'appareil de chauffage est comprise entre 108 et 132 volts (120 volts +/- 10 %). Avant de brancher l'appareil de chauffage dans le générateur, il faut vérifier la tension de sortie (si le générateur est doté de la fonction de ralenti automatique, la tension de sortie doit être mesurée pendant que le générateur tourne à pleine vitesse). Si la tension mesurée se trouve en dehors de cette plage, on ne doit pas brancher l'appareil sur la génératrice. Consultez la rubrique

Fonctionnement pour les procédures de démarrage, d'arrêt et de réinitialisation de l'appareil de chauffage.



(Fig. 3)

Dépannage



AVERTISSEMENT : NE JAMAIS FAIRE L'ENTRETIEN DE L'APPAREIL DE CHAUFFAGE PENDANT QU'IL EST BRANCHÉ, EN MARCHÉ, EN MARCHÉ OU BRÛLANT. DES BRÛLURES ET DES CHOCS ÉLECTRIQUES GRAVES PEUVENT SE PRODUIRE.

Symptôme	Problème	Solution
Le moteur ne démarre pas cinq secondes après que l'appareil de chauffage est branché.	Pas de courant se rendant à l'appareil de chauffage	Vérifiez le disjoncteur du panneau électrique
	Le commutateur marche/arrêt n'est pas à la position de marche (I)	Vérifiez que le commutateur marche/arrêt est à la position de marche (I) et que le voyant est allumé
	Le réglage du thermostat est trop bas	Tournez la poignée du thermostat vers un réglage plus élevé
	Une mauvaise connexion entre l'assemblage de la commande d'allumage et le moteur ou le cordon d'alimentation	Vérifiez toutes les connexions électriques. Voir Diagramme de câblage.
	Blocage du rotor de la pompe	Si le ventilateur ne tourne pas librement, voir Rotor de pompe.
	Assemblage de la commande d'allumage défectueux	Remplacez l'assemblage de la commande d'allumage
	Moteur défectueux	Remplacez le moteur
	Fusible grillé ou assemblage de la commande d'allumage défectueuse	Voir Assemblage de la commande d'allumage.



AVERTISSEMENT : NE JAMAIS FAIRE L'ENTRETIEN DE L'APPAREIL DE CHAUFFAGE PENDANT QU'IL EST BRANCHÉ, EN MARCHÉ OU BRÛLANT. DES BRÛLURES ET DES CHOCS ÉLECTRIQUES GRAVES PEUVENT SE PRODUIRE.

Symptôme	Problème	Solution
Le moteur démarre et fonctionne mais l'appareil de chauffage ne s'allume pas.	Pas de carburant dans le réservoir	Remplissez le réservoir avec du kérosène
	Mauvaise pression à la pompe	Voir Ajustement de la pression de la pompe.
	Filtre à carburant encrassé	Voir Filtre de carburant.
	Obstruction de la buse d'aération	Voir Assemblage de la buse.
	De l'eau dans le réservoir de carburant	Faites une vidange du réservoir de carburant avec du kérosène propre. Voir Entreposage, transport ou expédition
	Mauvaise connexion électrique entre l'allumeur et l'assemblage de la commande d'allumage	Vérifiez toutes les connexions électriques.
L'appareil de chauffage s'allume mais l'assemblage de la commande d'allumage l'éteint peu de temps après.	Allumeur défectueux	Remplacez l'allumeur,
	Assemblage de la commande d'allumage défectueux	Remplacez l'assemblage de la commande d'allumage défectueux.
	Mauvaise pression à la pompe	Voir Ajustement de la pression de la pompe.
	Filtres de prise d'air, de sortie d'air ou de peluches sales	Voir Filtres de sortie d'air, de prise d'air et de peluches.
	Filtre à carburant encrassé	Voir Filtre à carburant.
	Obstruction dans la buse d'aération	Voir Assemblage de la buse.
	Assemblage de cellule photoélectrique mal installé (ne voit pas la flamme)	Assurez-vous que le raccord de la cellule photoélectrique est bien installé dans le support
	Lentille de cellule photoélectrique encrassée	Nettoyez la lentille de la cellule photoélectrique
	Mauvaise connexion électrique entre la cellule photoélectrique et l'assemblage de la commande d'allumage	Vérifiez toutes les connexions électriques.
	Cellule photoélectrique défectueuse	Remplacez la cellule photoélectrique
	Assemblage de la commande d'allumage défectueux	Assemblage de la commande d'allumage défectueux

Entretien

ENTRETIEN

CALENDRIER D'ENTRETIEN PRÉVENTIF:



AVERTISSEMENT : NE JAMAIS FAIRE L'ENTRETIEN DE L'APPAREIL DE CHAUFFAGE PENDANT QU'IL EST BRANCHÉ, EN MARCHÉ OU BRÛLANT. DES BRÛLURES ET DES CHOCS ÉLECTRIQUES GRAVES PEUVENT SE PRODUIRE.

Article	Fréquence	Comment
Réservoir de carburant	Effectuez une vidange toutes les 150 à 200 heures d'opération ou au besoin	Voir Entreposage, transport ou expédition.
Sortie d'air et filtres de peluches	Remplacez toutes les 500 heures d'opération ou une fois par année	Voir Filtres de sortie d'air, de prise d'air, et de peluches.
Filtre de prise d'air	Lavez et séchez avec du savon et de l'eau toutes les 500 heures d'opération ou au besoin	Voir Filtres de sortie d'air, de prise d'air, et de peluches.
Filtre à carburant	Nettoyez deux fois par saison de chauffage ou au besoin	Voir Filtre à carburant.
Allumeur	Aucun entretien requis	
Pales de ventilateur	Nettoyez chaque saison ou au besoin	Voir Ventilateur.
Moteur	Non requis/lubrifié en permanence	

ENTRETIEN (CONTINUÉ)

AVERTISSEMENT : AFIN D'ÉVITER TOUT RISQUE DE BRÛLURES ET DE CHOCS ÉLECTRIQUES, NE JAMAIS TENTER DE FAIRE L'ENTRETIEN DE L'APPAREIL DE CHAUFFAGE PENDANT QU'IL EST BRANCHÉ, EN MARCHÉ OU BRÛLANT.

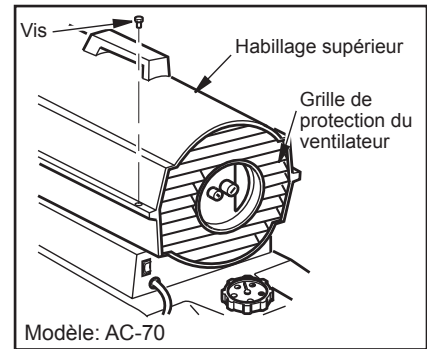
RETRAIT DE LA PARTIE SUPÉRIEURE DE L'HABILLAGE

1. Retirez les vis le long de chaque côté de l'appareil de chauffage à l'aide d'un tourne-écrou de 5/16 po. Ces vis raccordent les habillages supérieur et inférieur. Voir figure 4 ou 5.
2. Soulevez l'habillage supérieur.
3. Retirez la grille de protection du ventilateur

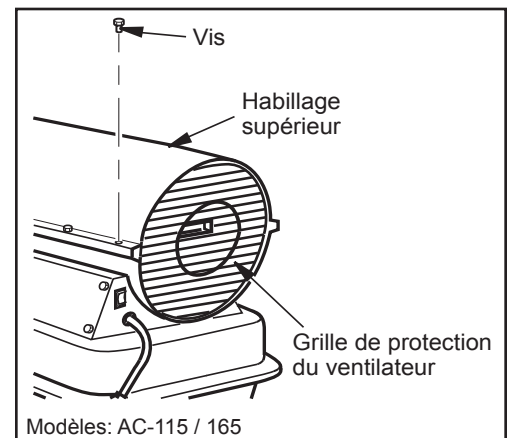
VENTILATEUR

IMPORTANT : Retirez le ventilateur de l'arbre moteur avant de retirer le moteur de l'appareil de chauffage. Le poids du moteur reposant sur le ventilateur pourrait endommager l'angle des pales (voir figure 6)

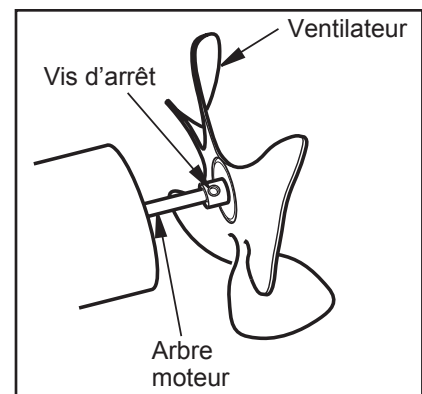
1. Retirez l'habillage supérieur (voir figure 4 ou 5)
2. Utilisez une clef hexagonale de 1/8po pour desserrer la vis d'arrêt qui retient le ventilateur à l'arbre moteur.
3. Glissez le ventilateur pour le libérer de l'arbre moteur.
4. Nettoyez le ventilateur à l'aide d'un linge doux humecté avec du kérosène ou du solvant.
5. Séchez le ventilateur complètement.
6. Replacez le ventilateur sur l'arbre moteur. Placez le moyeu du ventilateur pour qu'il soit au même niveau que l'extrémité de l'arbre moteur (voir figure 7).
7. Placez la vis d'arrêt sur le côté plat de l'arbre. Serrez bien la vis [4,5 à 5,6 n-m (40 à 50 pouce-livre)].
8. Remettez la grille de protection du ventilateur et l'habillage supérieur en place.



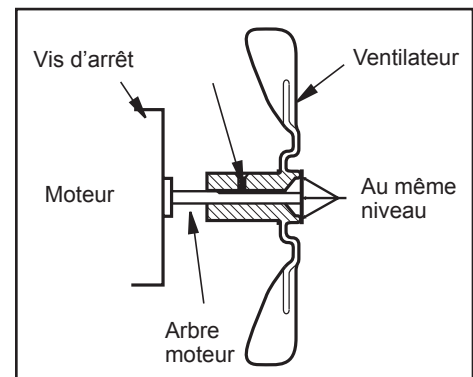
(Fig. 4)



(Fig. 5)



(Fig. 6)



(Fig. 7)

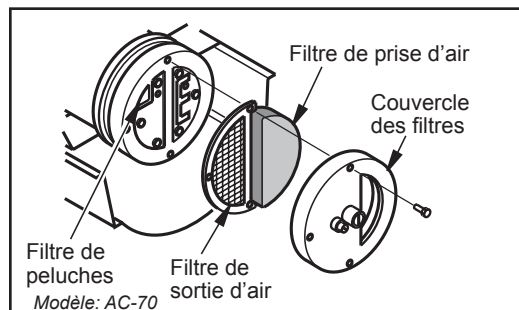
ENTRETIEN (CONTINUÉ)**FILTRES DE SORTIE D'AIR, DE PRISE D'AIR ET DE PELUCHES**

1. Retirez l'habillage supérieur (voir figure 4 ou 5).
2. Retirez les vis du couvercle des filtres à l'aide d'un tourne-écrou de 5/16 po (voir figure 8 ou 9).
3. Retirez le couvercle des filtres.
4. Remplacez les filtres de sortie d'air et de peluches
5. Lavez ou remplacez le filtre de prise d'air (voir Calendrier d'entretien préventif).
6. Remplacez le couvercle des filtres.
7. Remettez la grille de protection du ventilateur et l'habillage supérieur en place.

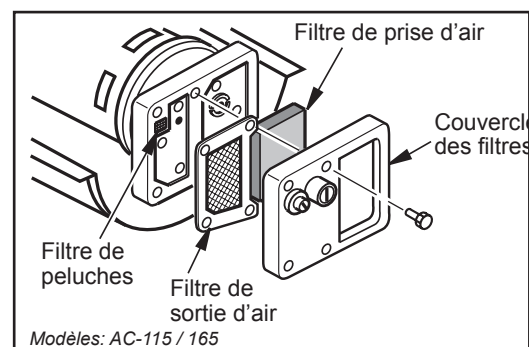
IMPORTANT : Ne huilez pas les filtres.

AJUSTEMENT DE LA PRESSION DE LA POMPE

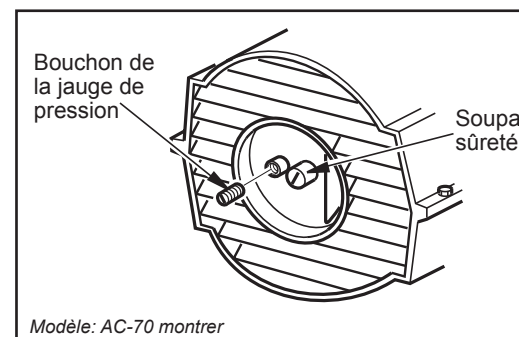
1. Retirez le bouchon de jauge de pression du couvercle des filtres (voir figure 10).
2. Installez la jauge de pression.
3. Allumez l'appareil de chauffage (voir Fonctionnement). Laissez le moteur atteindre sa pleine vitesse.
4. Ajustez la pression. Tournez la soupape de sûreté vers la droite afin d'augmenter la pression. Tournez la soupape de sûreté vers la gauche afin de diminuer la pression. Voir les spécifications de chaque modèle pour avoir une pression correcte (voir figure 11).
5. Retirez la jauge de pression. Remettez le bouchon de la jauge de pression dans le couvercle des filtres.



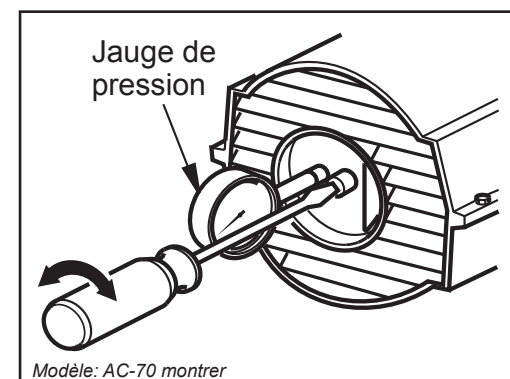
(Fig. 8)



(Fig. 9)



(Fig. 10)

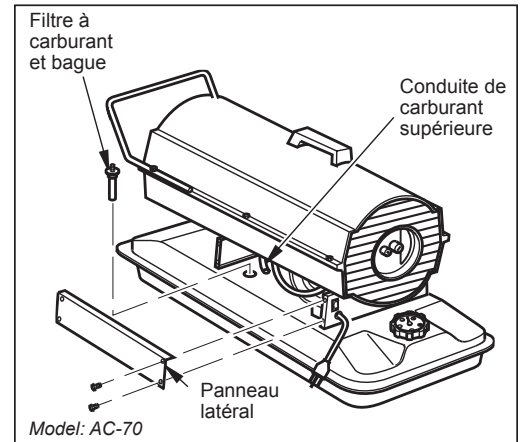


(Fig. 11)

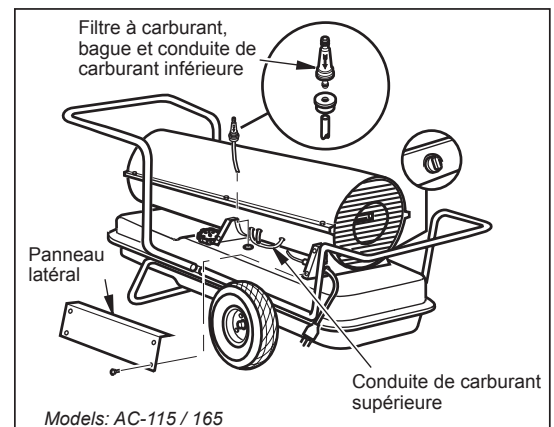
ENTRETIEN (CONTINUÉ)

FILTRE À CARBURANT

1. Retirez les vis du panneau latéral avec un tourne-écrou de 5/16 po.
2. Retirez le panneau latéral.
3. Dégagez la conduite de carburant supérieure du collet du filtre à carburant (voir figure 12 ou 13).
4. Retirez soigneusement la bague, le filtre à carburant et la conduite de carburant inférieure (modèles 115/165 uniquement) du réservoir de carburant (voir figure 13).
5. Lavez le filtre à carburant avec du carburant propre et replacez-le dans le réservoir.
6. Attachez la conduite de carburant supérieure au collet du filtre à carburant.
7. Remettez le panneau latéral en place.



(Fig. 12)



(Fig. 13)

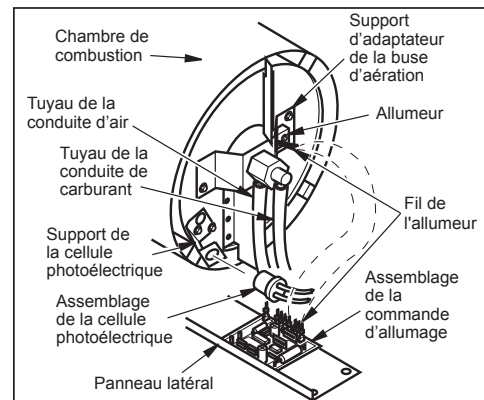
ENTRETIEN (CONTINUÉ)**ALLUMEUR**

1. Retirez l'habillage supérieur et la grille de protection du ventilateur (voir Retrait de l'habillage supérieur).
2. Retirez le ventilateur.
3. Retirez les 4 vis du panneau latéral avec un tourne-écrou de 5/16 po. Retirez le panneau latéral (voir figure 12 ou 13).
4. Débranchez les fils d'allumage de l'assemblage de la commande d'allumage (voir figure 14). Tirez sur les fils d'allumage par le trou de la partie inférieure de l'habillage.
5. Débranchez le tuyau de la conduite de carburant et le tuyau de la conduite d'air. Retirez la cellule photoélectrique de son support (voir figure 14).
6. Retirez la chambre de combustion. Posez la chambre de combustion debout avec le support de l'adaptateur de la buse d'aération sur le dessus (voir figure 15).
7. Retirez la vis de l'allumeur à l'aide d'un tourne-écrou de 1/4 po. Retirez soigneusement l'allumeur du support de l'adaptateur de la buse d'aération.

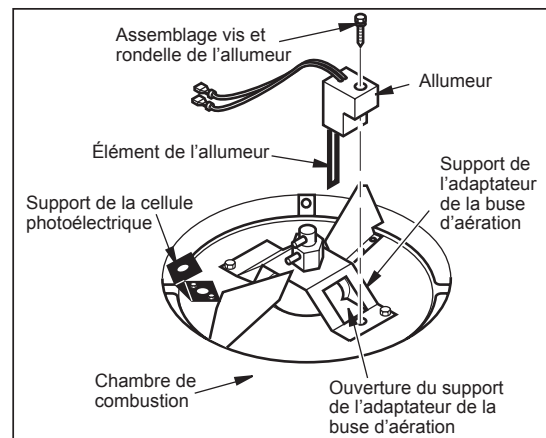


ATTENTION : NE PAS PLIER ET NE PAS FRAPPER L'ÉLÉMENT DE L'ALLUMEUR. MANIPULEZ-LE AVEC SOIN.

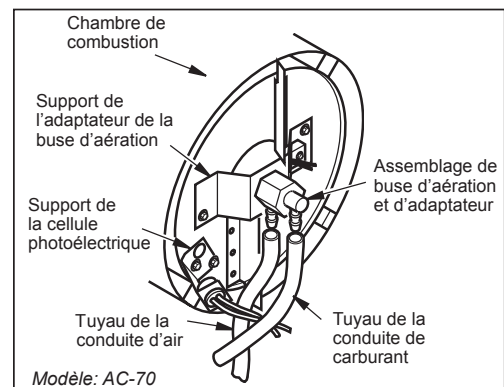
8. Sortez soigneusement le nouvel allumeur de son emballage.
9. Guidez délicatement l'allumeur dans l'ouverture du support de l'adaptateur de la buse d'aération. Ne frappez pas l'élément de l'allumeur. Attachez l'allumeur au support de l'adaptateur de la buse d'aération avec la vis à l'aide d'un tourne-écrou de 1/4 po (voir figure 16). Serrez avec un couple de 0,90 à 1,69 N·m (8 à 15 pouce-livre). Ne serrez pas excessivement.
10. Remplacez la chambre de combustion.
11. Acheminez les fils d'allumage de nouveau vers le bas par le trou de l'habillage inférieur. Branchez les fils à l'assemblage de la commande d'allumage (voir figure 15).
12. Remettez le panneau latéral en place (voir figure 13 ou 14).
13. Branchez et acheminez le tuyau de la conduite de carburant et le tuyau de la conduite d'air jusqu'à l'assemblage de l'adaptateur de la buse d'aération. Voir Remplacement et acheminement des conduites de carburant et d'air.
14. Remplacez la cellule photoélectrique dans le support de cellule photoélectrique. Acheminez les fils en suivant la figure 16 ou 17.
15. Remettez le ventilateur.
16. Remettez la grille de protection du ventilateur et l'habillage supérieur en place.



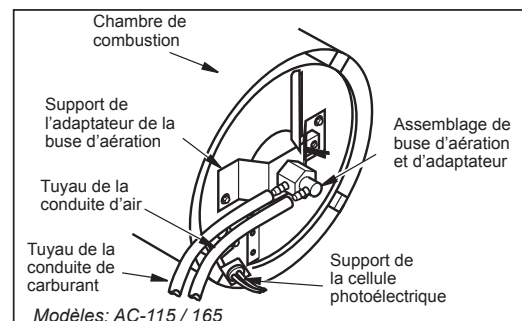
(Fig. 14)



(Fig. 15)



(Fig. 16)



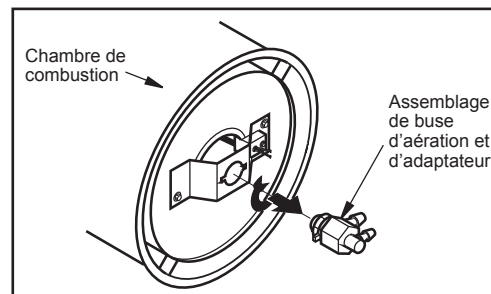
(Fig. 17)

ENTRETIEN (CONTINUÉ)**ASSEMBLAGE DE LA BUSE D'AÉRATION:**

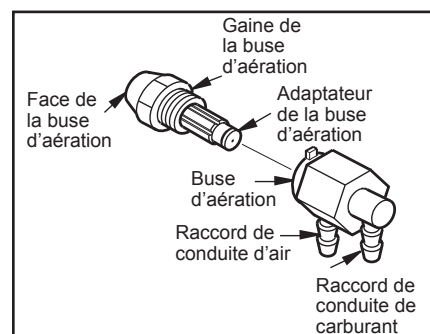
1. Retirez l'habillage supérieur (Voir Retrait de l'habillage supérieur).
2. Retirez le ventilateur, (voir Ventilateur).
3. Retirez les tuyaux de conduite de carburant et d'air de l'assemblage de la buse d'aération (voir figure 16 ou figure 17).
4. Tournez l'assemblage de la buse d'aération d'un quart de tour vers la gauche et tirez-le vers le moteur pour l'enlever (voir figure 18).
5. Placez le corps de plastique hexagonal dans un étau et serrez légèrement.
6. Retirez délicatement la buse d'aération de son adaptateur à l'aide d'une clef à douille de 5/8 po (voir figure 19).
7. Soufflez de l'air comprimé au travers l'avant de la buse d'aération. Ceci libérera la poussière de la buse.
8. Inspectez la gaine de la buse pour tout dommage.
9. Remplacez la buse d'aération dans son adaptateur jusqu'à ce que la buse soit bien en place. Serrez un tiers de tour de plus à l'aide d'une clef à douille de 5/8 po entre 4,5 et 5,1 N-m (40 à 45 pouce-livre). Voir figure 19.
10. Connectez l'assemblage de la buse à la bride du brûleur (voir figure 18).
11. Attachez les tuyaux de conduite de carburant et de conduite d'air à l'assemblage de la buse d'aération. Voir Remplacement et acheminement des conduites de carburant et d'air.
12. Remettez le ventilateur en place (voir Ventilateur).
13. Remettez la grille de protection du ventilateur et l'habillage supérieur en place (voir Retrait de l'habillage supérieur).

REPLACEMENT ET ACHEMINEMENT DES CONDUITES DE CARBURANT ET D'AIR

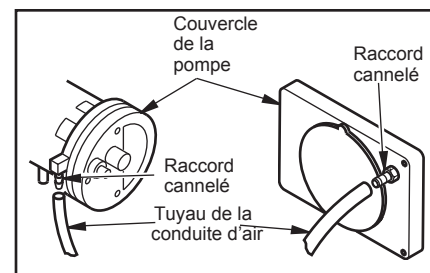
1. Retirez l'habillage supérieur (Voir Retrait de l'habillage supérieur).
2. Retirez les vis du panneau latéral à l'aide d'un tourne-écrou de 5/16 po (voir figure 12 ou 13).
3. Retirez le panneau latéral.
4. Inspectez les tuyaux de la conduite de carburant et d'air pour des fissures ou des trous. Si le tuyau de la conduite de carburant est endommagé, débranchez-le de l'adaptateur de la buse d'aération (voir figure 16 ou 17) ainsi que du filtre à carburant (voir Filtre à carburant, page 10). Si le tuyau de la conduite d'air est endommagé, débranchez-le de l'adaptateur de la buse d'aération (voir figure 16 ou 17) ainsi que du raccord cannelé du couvercle de la pompe (voir figure 20).
5. Installez une nouvelle conduite de carburant ou une nouvelle conduite d'air. Raccordez une extrémité du tuyau de la conduite d'air au raccord cannelé du couvercle de la pompe (voir figure 20) et l'autre extrémité à l'adaptateur de la buse d'aération (voir figure 16 ou 17). Raccordez une extrémité du tuyau de la conduite de carburant au filtre à carburant (voir Filtre à carburant, page 10) et l'autre extrémité à l'adaptateur de la buse d'aération (voir figure 16 ou 17). Note : Acheminez les tuyaux comme l'illustre la figure 16 ou 17 selon le modèle. Les tuyaux ne doivent pas toucher le support de la cellule photoélectrique.
6. Remettez le panneau latéral en place.
7. Remettez l'habillage supérieur et la grille de protection du ventilateur en place (voir Retrait de l'habillage supérieur).



(Fig. 18)



(Fig. 19)



(Fig. 20)

ENTRETIEN (CONTINUÉ):

MOTEUR DE POMPE (Procédure à suivre si le rotor se bloque):

1. Retirez l'habillage supérieur (voir Retrait de l'habillage supérieur).
2. Retirez les vis du couvercle des filtres à l'aide d'un tourne-écrou de 5/16 po (voir figure 21 ou 22).
3. Retirez le couvercle des filtres et les filtres à air.
4. Retirez les vis de la plaque de la pompe à l'aide d'un tourne-écrou de 5/16 po.
5. Retirez la plaque de la pompe.
6. Retirez le rotor, l'élément encastré et les pales (voir figure 21 ou 22).
7. Vérifiez s'il y a des débris dans la pompe. Si vous y trouvez des débris, expulsez-les avec de l'air comprimé.
8. Installez la gaine et le rotor.
9. Vérifiez l'écart sur le rotor. Ajustez à 0,076/0,101 mm (0,003/0,004 po) au besoin (voir figure 23).

Note : Donnez au rotor un tour complet pour assurer que l'écart est de 0,076/0,101 mm (0,003/0,004 po) à sa position la plus serrée. Ajustez au besoin.

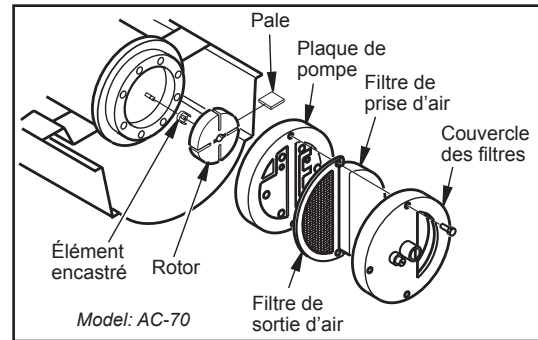
10. Installez les pales, la plaque de la pompe, les filtres à air et le couvercle des filtres.
11. Remettez la grille de protection du ventilateur et l'habillage supérieur en place (voir Retrait de l'habillage supérieur).
12. Ajustez la pression de la pompe (voir Ajustement de la pression de la pompe).

Note : Si le rotor continue de se bloquer, procédez comme suit.

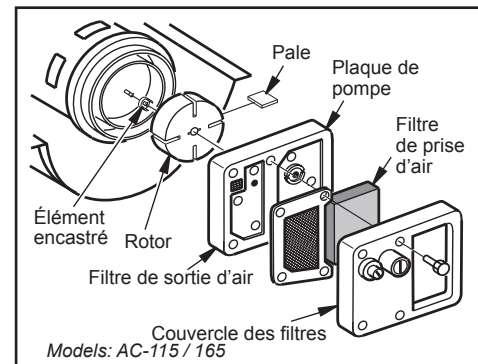
13. Effectuez les étapes 1 à 6.
14. Placez du papier de verre fin (600 grains) sur une surface plane. Sablez le rotor légèrement en décrivant une figure 8 quatre fois (voir figure 24).
15. Réinstallez la gaine et le rotor.
16. Effectuez les étapes 10 à 12.

ASSEMBLAGE DE LA COMMANDE DE L'ALLUMEUR:**⚠ AVERTISSEMENT : HAUTE TENSION!**

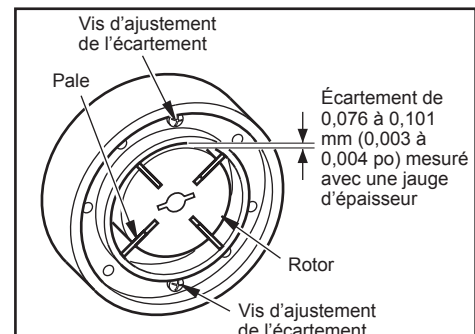
1. Débranchez l'appareil de chauffage.
2. Retirez les 4 vis du panneau latéral avec un tourne-écrou de 5/16 po pour mettre en vue l'assemblage de la commande d'allumage.
3. Retirez le panneau qui recouvre le fusible (voir figure 25).
4. Retirez le fusible de la pince qui le retient (voir figure 25).
5. Remplacez le fusible par un fusible du même type et la même valeur nominale (GMA-10). Il ne faut jamais substituer un fusible plus élevé.
6. Remettez le panneau qui recouvre le fusible en place (voir figure 25).
7. Remettez le panneau latéral en place.



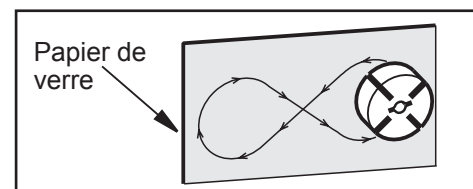
(Fig. 21)



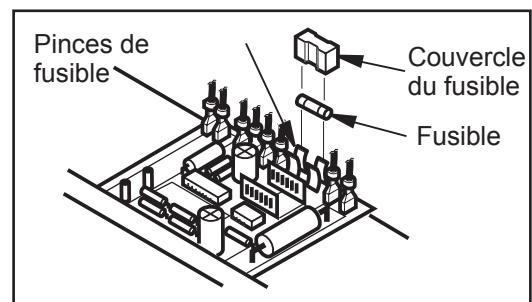
(Fig. 22)



(Fig. 23)



(Fig. 24)



(Fig. 25)

Remisage

REMISAGE

ENTREPOSAGE, TRANSPORT OU EXPÉDITION

Note: *Si l'appareil doit être expédié, les compagnies " de transport exigent que les réservoirs de carburant soient vides.*

1. Videz le réservoir de carburant.

Note: *Certains modèles ont des bouchons de vidange en dessous du réservoir de carburant. Dans ce cas, retirez le bouchon de vidange pour vider tout le carburant. Si l'appareil de chauffage n'a pas de bouchon de vidange, videz le carburant par l'ouverture du bouchon du réservoir. Assurez-vous que tout le carburant a été retiré.*

2. Remettez le bouchon de vidange en place si nécessaire.

3. Si vous voyez des débris dans le vieux carburant, ajoutez un ou deux litres de kérosène propre dans le réservoir, remuez et vidangez de nouveau. Ceci empêchera l'excès de débris de bloquer les filtres à l'avenir.

4. Remettez le bouchon du réservoir de carburant ou le bouchon de vidange en place. Débarrassez-vous adéquatement du vieux carburant souillé. Renseignez-vous auprès des postes d'essence des environs qui recyclent de l'huile.

5. Si vous l'entrezposez, laissez l'appareil de chauffage dans un endroit sec. Assurez-vous que l'endroit où vous l'entrezposez est libre de poussières et de vapeurs corrosives.

IMPORTANT : N'entrezposez pas le kérosène pendant les mois d'été pour l'utiliser pendant la saison de chauffage suivante. L'utilisation de vieux carburant pourrait endommager l'appareil de chauffage.

Caractéristiques

ARTICLE	CARACTÉRISTIQUES		
Taille du modèle	70	115	165
Puissance de sortie (BTU / heure)	70,000	115,000	165,000
Carburant	Utilisez seulement du kérosène, du diesel et mazout n° 1 et n° 2 ou des combustibles JET A ou JP-8.*		
Capacité du réservoir de carburant (gallons US / Litres)	5 / 18.9	9 / 34	13.5 / 51
Consommation de carburant (gallons US par heure / Litres)	.52 / 1.97	.85 / 3.00	1.2 / 4.54
Pression de la pompe (pouce-livre)	4.7	5.1	5.6
Électricité	120V / 60 HZ	120V / 60 HZ	120V / 60 HZ
Ampérage (fonctionnement normal)	2.8	3.6	3.6
Rotation du moteur (tr / min)	3440	3400	3400
Sortie d'air chaud (pi ³ / min)	360	490	575
Puissance du moteur (HP)	1/8	1/5	1/5
Poids d'expédition (approximatif en kilos / livres)	36 / 16.3	56 / 25.4	71 / 32.2
Poids de l'appareil de chauffage sans carburant (approximatif en kilos / livres)	32 / 14.5	48 / 21.8	61 / 27.7

* L'usage de diesel ou de mazout n° 2 causera une odeur perceptible et pourrait exiger un entretien supplémentaire du filtre à carburant. L'usage à des températures extrêmement froides peut exiger des additifs antigivrants non toxiques.

NOTER LE NUMÉRO DE SÉRIE

Noter ci-dessous le numéro de modèle ainsi que le numéro de série et la date d'achat de votre appareil. Votre concessionnaire a besoin de ces renseignements lors des commandes de pièces

Numéro de modèle _____

Numéro de série _____

Date d'achat _____
(À remplir par l'acheteur)

CONDITIONS DE LA GARANTIE

John Deere garantit toutes les pièces (à l'exception de celles stipulées ci-dessous), de votre nouveau appareil de chauffage sans carburant en cas de défauts de matériaux et de fabrication pendant les périodes suivantes:

Pendant deux (2) années à partir de la date d'achat initiale.

Les pièces défectueuses ne résultant pas d'une usure normale seront réparées ou remplacées à notre choix pendant la période de garantie. Quoiqu'il arrive, le remboursement est limité au prix d'achat.

PIECES EXCLUES DE LA GARANTIE

1. Cette garantie ne couvre pas les pièces endommagées par l'usure normale, une mauvaise utilisation, une utilisation abusive ou un fonctionnement autre que recommandé. La garantie ne couvre pas les dégâts provoqués par un mauvais suivi des procédures de fonctionnement et d'entretien .
2. L'utilisation de pièces de réparation autres que celles d'origine annule la garantie.
3. La garantie sera annulée si l'appareil est utilisé pour tout autre usage que consommateur/propriétaire. Les pièces renvoyées en port payé, à notre usine ou à un centre de réparation John Deere agréé seront inspectées et remplacées gratuitement si elles s'avèrent être défectueuses et couvertes par la garantie. Il n'existe aucune garantie prolongeant les dates d'expiration stipulées ci-dessus. Le fabricant n'est en aucun cas responsable des pertes d'usage, de temps ou de location, des dérangements causés, des pertes commerciales ou des dommages qui en résultent.

Pour toute question de service ou de garantie, s'adresser à
Mi-T-M Corporation, 8650 Enterprise Drive, Peosta, IA 52068-0050
Tél.: JD-KLEEN (1-877-535-5336) Fax 563-556-1235
Du lundi au vendredi de 8h00 à 17h00, heure centrale

Note

Note

Introducción

Gracias por comprar este John Deere producto.

Lea este manual con cuidado para aprender como operar y hacerle servicio a su máquina correctamente. Falla resultaría en lesiones personales o daño a equipo. Este manual y muestras de seguridad en su máquina pueden también estar disponibles en otros idiomas. (véase a su distribuidor de John Deere para ordenar)

Este manual debe considerarse una parte permanente de su máquina y debe quedar con la máquina cuando la venda.

Medidas en este manual se dan en sistema métrico y en equivalentes de unidades de Estados Unidos. Use sólo partes y cierres de reemplazarlos correctamente. Cierres métricos y pulgadas necesitarían un tirón especial de métrico o pulgada.

Lados de mano derecha y mano izquierda se determinan de que da al fin de la máquina.

El número de serie está situado en sección de especificaciones o números de identificación. Escriba correctamente todos los números para ayudar a encontrar la máquina si sea robada. Su concesionario también necesita estos números cuando ordena partes. Ponga los números de identificación en un lugar seguro fuera de la máquina.

La garantía provee de concesionario John Deere para quien opere y mantenga su equipo como descrito en este manual. Este manual está explicado en certificado de garantía que se vea en este manual.

Esta garantía provee la seguridad que su concesionario John Deere daría garantía de productos donde defectos aparecen durante tiempo de garantía. Debe abusar al equipo o cambios para modificar la función a través de especificaciones de fábrica la garantía será vacía.



ADVERTENCIA

Este producto contiene y/o genera químicos que el Estado de California reconoce que causan cáncer, defectos de nacimiento u otros daños relacionados con la reproducción.

Materias

	Página
Seguridad	60
Mandos	66
Emsamblaje	67
Preparación.....	68
Operación	70
Localización de fallas	72
Servicio	74
Almacenamiento	81
Especificaciones	82
Garantía	83

Toda información, ilustraciones, y especificaciones en este manual se basa en información lo último que disponible al tiempo de publicación. Se reserva el dercho de efectuar cambios sin previo aviso.

Seguridad

RECONOZCA INFORMACIÓN DE SEGURIDAD

Este es el símbolo de alerta de seguridad. Cuando mire este símbolo en la máquina o manual, sea alerta de posibilidad o potencia de graves personales.

Siga precauciones recomendables y prácticas de operación.



COMPRENDA PALABRAS DE ALERTAS

Una palabra de alerta -- Peligro, Advertencia, Precaución -- se usa con el símbolo de alerta de seguridad. Peligro indica la situación más seria.

Señales de seguridad como PELIGRO y ADVERTENCIA está situada cerca de riesgos específicos. Precauciones generales están en una lista en las señales de seguridad precaución a mensajes de seguridad en este manual.

 **PELIGRO**

 **ADVERTENCIA**

 **PRECAUCION**

SIGA LAS INSTRUCCIONES DE SEGURIDAD

Lea con cuidado todos mensajes de seguridad en este manual y en las señales de seguridad en máquina. Mantengase señales de seguridad en condición bueno. Reemplace desaparecidos o señales de seguridad con daño. Asegurese que componentes nuevos de equipo y partes de reparación incluir las señales de seguridad último. Señales de seguridad para reemplace son disponibles de su concesario.

Aprenda como operar la máquina y como usar los mandos correcta. No permita nadie para operar sin instrucciones.

Lea este manual del propietario cuidadosa y completamente antes de intentar ensamblar, operar o dar servicio a este calentador. El uso inadecuado de este calentador puede causar lesiones graves o la muerte por quemaduras, incendio, explosión, electrocución e intoxicación con monóxido de carbono.

Asegúrese de leer y comprender todas las advertencias. Conserve este manual para referencia. Es su guía para un funcionamiento seguro y correcto de este calentador.



MONÓXIDO DE CARBONO- GAS VENENOSO



PELIGRO: ¡LA INTOXICACIÓN CON MONÓXIDO DE CARBONO PUEDE SER MORTAL!

Exhausto de calentador contiene monóxido de carbono- un gas venenoso que puede matarle. No puede oler o ver este gas.

Nunca use calentador en espacios cerrados o parcialmente cerrados sin apropiado ventilación. Úsese solamente en áreas bien ventiladas. Antes de usar el calentador, procure tener una abertura de cuando menos 2 800 cm² (3 pies²) para el aire fresco exterior por cada 30 kw (100 000 BTU/h) de servicio nominal. Calentadores puede producir nevelas altas de monóxido de carbono muy rápido. Cuando use un calentador, recuerde que no puede oler o ver monóxido de carbono. Aunque si no pueda oler gases de exhausto, puede exponerle a monóxido de carbono.

Si empieza sentir enfermo, mareo, o débil cuando usando calentador, vaya adentro PRONTO. NO RETRASE. Monóxido de carbono de generadores puede llevar rápidamente a todo incapacitado y muerte.

Si tenga síntomas serias, tenga atención medica inmediatamente . Diga empleados medicos que sospechar de venenoso de monóxido de carbono. Si tenga síntomas mientras adentro diga alguien llamar el departamento de fuegos para determinar cuando seguro para entrar otra vez el edificio.

NUNCA opere calentador en atmósfera explosivo, cerca materias combustibles o donde ventilación no es suficiente para llevar gases de exhausto afuera. **Gases de exhausto puede causar lesiones graves o muerte.**

NUNCA use calentador adentro, incluyendo en casas, garajes, sótanos, espacios pequeños, y otras áreas cerradas o parcialmente cerradas, sin apropiado ventilación. Abriendo puertas y ventanas o usando ventiladores no prevenir acumulación de monóxido de carbono en casas. Úsese solamente en áreas bien ventiladas. Antes de usar el calentador, procure tener una abertura de cuando menos 2 800 cm² (3 pies²) para el aire fresco exterior por cada 30 kw (100 000 BTU/h) de servicio nominal.

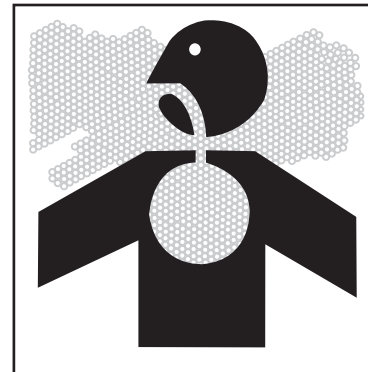
Siga las instrucciones que viene con su calentador. Encuentre unidad de aire libre y afuera de puertas, ventanas, y tiros que puede permitir gas de monóxido de carbono para entrar adentro.

Intoxicación con monóxido de carbono: los síntomas iniciales de la intoxicación con monóxido de carbono son semejantes a los de la gripe, con dolores de cabeza, mareos y/o náusea.

Si usted presenta estos síntomas, es posible que el calentador no esté funcionando correctamente. ¡Respire aire fresco inmediatamente! Haga que reparen el calentador. El monóxido de carbono afecta más a algunas personas que a otras. Las más afectadas incluyen mujeres embarazadas, personas con enfermedades del corazón o de los pulmones o anemia, aquellas bajo la influencia del alcohol y aquellas a elevadas alturas.

Instale alarmasde monóxido de carbono que operados de batería o alarmas de monóxido de carbono enchufadas con seguridad de batería en su casa según las instrucciones de instalación de fabricante. Las alarmas de monóxido de carbono deben tener certificación de requisitos de calidades de seguridad últimos para alarmas de monóxido de carbono. (UL 2034, IAS 6-96 o CSA 6.19.01).

Examine su alarma de monóxido de carbono frecuentemente y reemplace baterías muertas.



INSTRUCCIONES DE SEGURIDAD DE LLENDADO DE COMBUSTIBLE



Use solamente keroseno, diesel/aceite combustible #1 ó #2, combustible de aviación JET A o JP-8 para prevenir riesgos de incendio ó explosión. Nunca utilice gasolina, nafta, solventes para pintura, alcohol u otros combustibles altamente inflamables.

El personal encargado de la carga del combustible debe estar calificado y ampliamente familiarizado con las instrucciones del fabricante y los reglamentos aplicables con respecto a la carga segura de combustibles en unidades de calefacción.

Debe usarse solamente el tipo de combustible especificado en la placa de datos del calentador.

Toda llama, incluyendo la del piloto, si existe, debe extinguirse y el calentador debe enfriarse antes de la carga de combustible.

Durante la carga del combustible, todas las líneas de combustible y sus conexiones deben inspeccionarse para buscar fugas. Toda fuga debe repararse antes de poner el calentador nuevamente en servicio.

Nunca debe almacenarse más del combustible necesario para un día de funcionamiento del calentador dentro de un edificio en la cercanía del calentador. La mayoría del combustible debe almacenarse fuera del edificio.

Todo almacenamiento de combustible deberá situarse a una distancia mínima de 7,62 m (25 pies) respecto a los calentadores, sopletes, equipo de soldadura y fuentes de ignición similares (excepción: la reserva de combustible integrada con la unidad de calentador).

Siempre que sea posible, el almacenamiento de combustible debe restringirse a áreas donde la penetración del suelo no permita que el combustible gotee o pueda encenderse por algún fuego en una elevación inferior.

El almacenamiento de combustible debe realizarse en acuerdo con la autoridad que tiene la jurisdicción.

Observe todas regulaciones de seguridad para manejo seguro de combustible. Maneje combustible en envases de seguridad. Si envase no tiene pico, use un embudo.

No sobrellene el tanque de combustible, mantenga espacio para expansión de combustible.

No rellene tanque de combustible mientras el motor está funcionando. Antes de rellenando calentador, doble apagado y permite enfriarse. Gasolina que derramada en partes del motor puede inflamarse.

Llene el tanque solamente en una área de tierra pelada. Mientras llenando el tanque, mantenga calor, chispas, y llamas abiertas afuera.

Siempre llene tanque de combustible en una área con mucha ventilación para evite inhalando gases peligrosos.

NUNCA mantenga combustible para su calentador e la casa. Gasolina, propano, kerosene, y otros líquidos inflamables deben mantenerse afuera de áreas de vivienda en envases seguros sin vidrio y calificados correctos. No los mantenga cerca de aparato de ardiente de combustible como calentador de gas natural en un garaje. Si combustible derrame o envase no cerrado correcto, vapores invisibles de lata de combustible viaja adelante de la tierra y pueden inflamarse del piloto de aparato o de arcos de interruptores eléctricos en aparato.



RIESGOS DE ELECTRICOS



PELIGRO-CONEXIÓN INCORRECTA DE EQUIPO-CONDUCTOR DE TIERRA PUEDE RESULTAR EN RIESGO DE ELECTROCUCIÓN. HABLE CON UN ELECTRICISTA CALIFICADO O REPRESENTANTE DE SERVICIO SI TENGA DUDA SOBRE QUE LA UNIDAD TIENE LA TOMA A TIERRA CORRECTA.

Use solamente la tensión eléctrica y la frecuencia especificadas en la placa del modelo.

El calentador deberá estar conectado a tierra. Use solamente un cable de extensión trialámbrico adecuadamente conectado a tierra. Conéctelo solamente en un enchufe con conexión a tierra. Si lo debe fallar o funcionar mal la toma a tierra proveer un camino de resistencia mínima para corriente eléctrico para reducir el riesgo de descarga eléctrica.

El calentador es un fuente potencial de descarga de eléctrico si no mantenga seco. Mantenga el calentador seco y no use en lluvia o condiciones mojados. Para porteger de humedad, opere en superficie seco abajo de una estructura abierta y como un dosel. Seque sus manos si mojados antes de tocando el calentador.

Revise que todo cordón sea libre de cortos, roturas, y que la tapa tiene todos los tres dientes, especialmente un perno de tierra





IMPORTANT SAFETY INSTRUCTIONS

1. Use solamente en áreas libres de vapores inflamables o de alto contenido de polvo.
2. Distancia mínima con respecto a los materiales combustibles: 2,44 m (8 pies) de la salida de aire caliente; 1,22 m (4 pies) de la parte superior; y 1,22 m (4 pies) de los laterales y la entrada.
3. Sitúe el calentador en una superficie estable y nivelada si está caliente o en funcionamiento, de lo contrario puede ocurrir un incendio.
4. Úsese solamente en áreas bien ventiladas. Antes de usar el calentador, procure tener una abertura de cuando menos 2 800 cm² (3 pies²) para el aire fresco exterior por cada 30 kw (100 000 BTU/h) de servicio nominal.
5. Mantenga siempre a los niños y animales alejados del calentador.
6. Nunca encienda el calentador cuando la cámara de combustión está caliente o si se ha acumulado combustible en la misma.
7. Al usarse con un termostato, el calentador puede encenderse en cualquier momento.
8. Al mover o almacenar el calentador, debe colocarse en una posición nivelada para evitar que se derrame el combustible.
9. Use el calentador solamente en acuerdo con las ordenanzas y códigos locales.
10. Nunca utilice gasolina, drenaje del cárter, nafta, solventes para pintura, alcohol u otros combustibles altamente inflamables.
11. Nunca utilice el calentador donde estén presentes gasolina, solvente para pintura u otros vapores inflamables.
12. Nunca utilice el calentador en estancias o áreas para dormir.
13. Nunca deje conectado un calentador sin la supervisión de un adulto si es probable que haya niños o animales presentes.
14. Nunca mueva, maneje, cargue combustible o dé servicio a un calentador en funcionamiento, caliente, o conectado.
15. Nunca conecte conductos a la parte anterior o posterior del calentador.
16. Nunca conecte el calentador a un tanque de combustible externo.
17. Los calentadores utilizados cerca de toldos, lonas o materiales similares de protección deben situarse a una distancia segura de dichos materiales. La distancia mínima recomendada para su seguridad es de 3,05 m (10 pies). También se recomienda que dichos materiales de protección tengan propiedades retardadoras de fuego. Estos materiales de protección deben estar seguramente sujetos para prevenir que se enciendan o que afecten el funcionamiento del calentador debido a la acción del viento.
18. Desconecte el calentador cuando no esté en uso.
19. Nunca bloquee la entrada de aire (posterior) o la salida de aire (anterior) del calentador.

¡GUARDE ESTAS INSTRUCCIONES!





USE ROPA PROTECTORA

Use ropa medida cerca y equipo de seguridad apropiado al trabajo.

Use devise protector de oído como orejeras o tapón para el oído para proteger en contra de ruidos inaceptables y altos.

Operando equipo de seguridad necesita toda atención de operador. No use auriculares de radio o música mientras operando máquina.

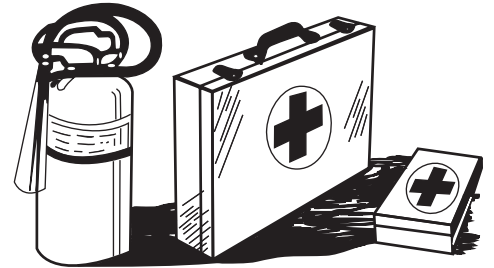


PREPARE PARA EMERGENCIAS

Mantenga primeros auxilios y extinguidor cerca.

Mantenga números de emergencia para doctores, servicio de ambulancia, hospital, y departamento de fuego cerca de telefono.

Sea preparado si un fuego empiece.



INSPECCIONES CALENTADOR

Asegúrese que todas tapas, guardias, y escudos son ajustados y en posición.

Encuentre todos controles operando y etiquetas de seguridad.

Inspeccione cordón eléctrico para daño antes de usando. Hay un riesgo de electrocución de aplastante, cortando, o daño de calor.

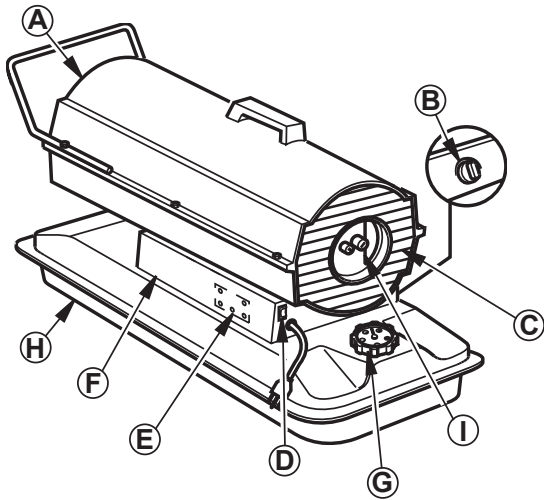
SERVICIO CON CIUDADO CALENTADOR

Apague la unidad, desconéctela de la red eléctrica, y permita que la unidad se enfríe antes de repararla.

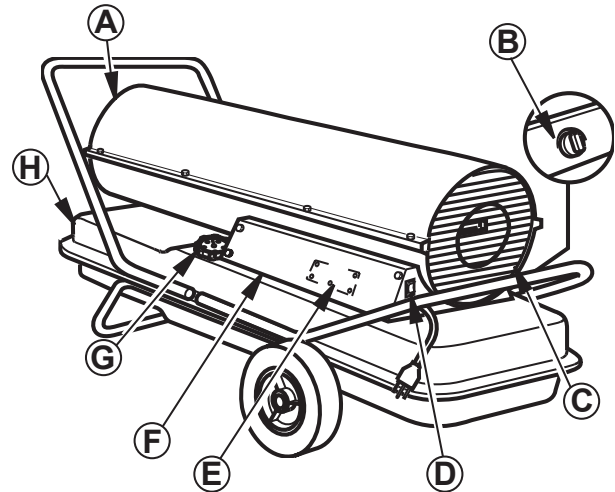
Preste servicio en un área limpie, seca y planca.

Mandos

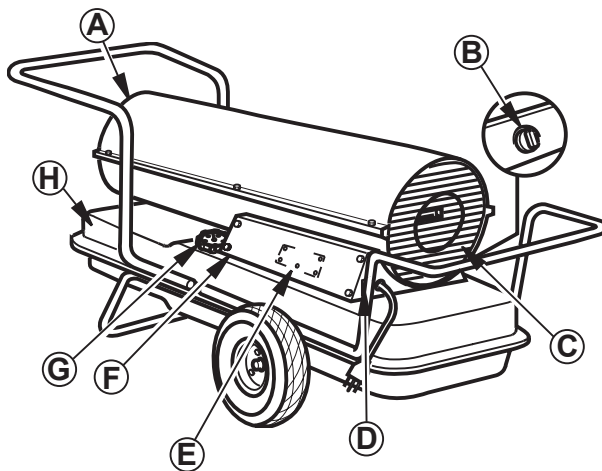
MANDOS



AC-70



AC-115



AC-165

A -- Salida de aire caliente
B -- Perilla del termostato
C -- Cubierta del extremo del
filtro de aire

D -- Interruptor de alimentación
iluminado
E -- Ensamblaje del control de
encendido (dentro de la
cubierta lateral)
F -- Cubierta lateral

G -- Tapa/medidor del
combustible
H -- Tanque de combustible
I -- Resguardo del ventilador

Ensamblaje

EMSAMBLAJE

NOTA: Sólo para los modelos 115 y 165

Estos modelos están equipados con ruedas y una manija. Algunos modelos están equipados también con segunda manija. Las ruedas, las manijas y los herrajes de montaje se encuentran en la caja de envío.

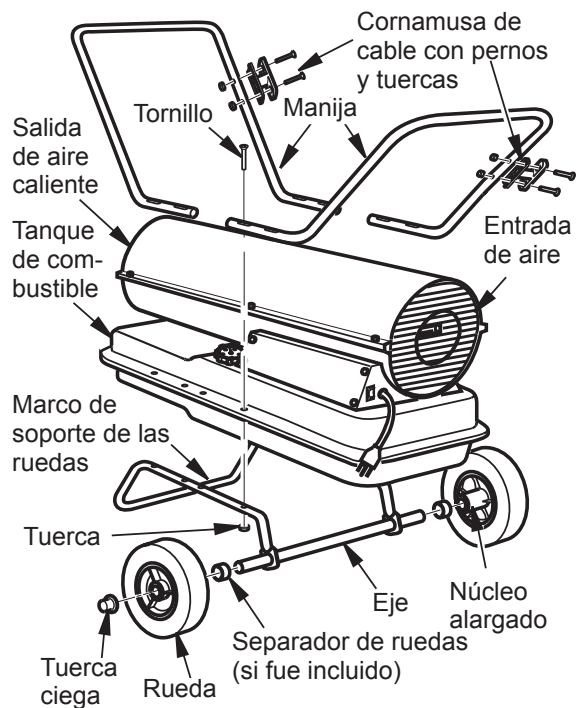
Herramientas necesarias:

- Destornillador phillips mediano
- Llave de 3/8 de pulgada, abierta o ajustable
- Martillo

1. Inserte el eje a través del marco de soporte de las ruedas. Instale los separadores de las ruedas, si están incluidos. Instale las ruedas en el eje.

IMPORTANTE: al instalar las ruedas, oriente los núcleos alargados de las ruedas hacia el marco de soporte de las ruedas (consulte la figura 1).

2. Coloque las tuercas ciegas en los extremos del eje. Golpee suavemente con el martillo para asegurarlas.
3. Coloque el calentador en el marco de soporte de las ruedas. Alinee los orificios en la pestaña del tanque de combustible con los orificios en el marco de soporte de las ruedas.
4. Coloque la(s) manija(s) en la parte superior de la pestaña del tanque de combustible. Inserte los tornillos a través de la(s) manija(s), la pestaña del tanque de combustible y el marco de soporte de las ruedas. Apriete las tuercas con los dedos tras insertar cada tornillo.
5. Una vez que todos los tornillos se han insertado, apriete las tuercas firmemente.



(Fig. 1)

Preparando

VENTILACIÓN

⚠ ADVERTENCIA: PROPORCIONE UNA ABERTURA PARA AIRE FRESCO DE CUANDO MENOS 2.800 CM² (3 PIES²) POR CADA 100.000 BTU/H DE VALOR. PROPORCIONE AIRE FRESCO ADICIONAL SI SE UTILIZAN MÁS CALENTADORES. DEBEN SEGUIRSE LOS REQUISITOS DE VENTILACIÓN MÍNIMOS PARA EVITAR RIESGOS ASOCIADOS CON LA INTOXICACIÓN POR MONÓXIDO DE CARBONO. ASEGÚRESE DE QUE DICHS REQUISITOS SE CUMPLAN ANTES DE OPERAR EL CALENTADOR.

Ejemplo: Un calentador de 58,6 kw (200.000 BTU/h) requiere uno de los siguientes:

- Una puerta de cochera para dos autos (abertura de 4,88 metros [16 pies]) levantada 12,7 cm (5 pulgadas)
- Una puerta de cochera para un auto (abertura de 2,74 metros [9 pies]) levantada 20,3 cm (8 pulgadas)
- Dos ventanas de 76,2 cm (30 pulgadas) levantadas 38,1 cm (15 pulgadas)

COMBUSTIBLES

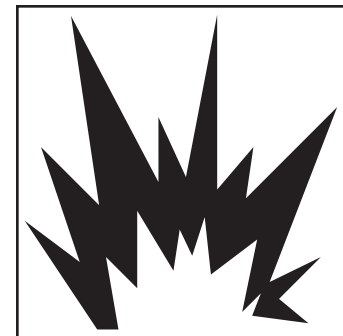
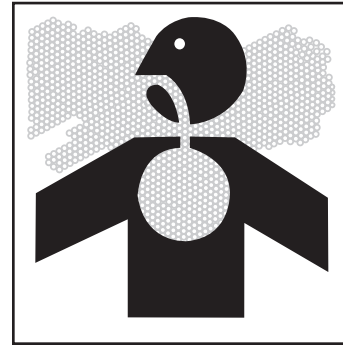
⚠ ADVERTENCIA: USE SOLAMENTE KEROSENO, DIESEL/ACEITE COMBUSTIBLE #1 Ó #2, COMBUSTIBLE DE AVIACIÓN JET A O JP-8 PARA EVITAR RIESGOS DE INCENDIO O EXPLOSIÓN. NUNCA UTILICE GASOLINA, ACEITE DRENADO DE CÁRTERES, NAFTA, SOLVENTES DE PINTURA, ALCOHOL U OTROS COMBUSTIBLES ALTAMENTE INFLAMABLES.

Use solamente keroseno, diesel/aceite combustible #1 ó #2, combustible de aviación JET A o JP-8. También se pueden usar combustibles más pesados, como el aceite combustible n.º 2 o el combustible diesel n.º 2, pero ocasionarán:

- Olor evidente
- Mantenimiento adicional del filtro de combustible
- La necesidad de aditivos no tóxicos, anticongelantes en climas muy fríos

No use combustibles más pesados que el grado n.º 2 ni aceites pesados, como el aceite que se drena de los cárteres del cigüeñal. Estos aceites pesados no se encenderán adecuadamente y contaminarán el calentador.

IMPORTANTE: Use un recipiente de almacenamiento para KEROSENO SOLAMENTE (azul) o para DIESEL SOLAMENTE (amarillo). Asegúrese de que el recipiente de almacenamiento esté limpio. Substancias extrañas como óxido, polvo o agua ocasionarán que el ensamblaje del control de encendido apague el calentador. Las sustancias extrañas pueden también requerir que el sistema de combustible del calentador tenga que limpiarse frecuentemente.



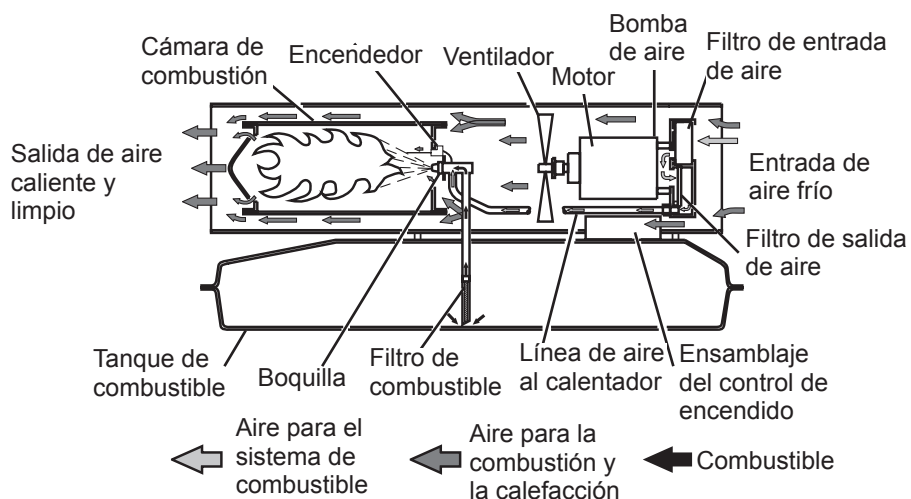
TEORÍA DEL FUNCIONAMIENTO

El sistema de combustible: La bomba de aire obliga que éste pase a través de la línea de aire. Se empuja el aire a través de la boquilla. Este aire ocasiona que el combustible se levante del tanque. Se rocía una fina emisión de combustible al interior de la cámara de combustión.

El sistema de aire: El motor hace girar el ventilador. El ventilador empuja aire al interior y alrededor de la cámara de combustión. Este aire se calienta y proporciona una corriente de aire limpio y caliente.

El sistema de encendido: El ensamblaje de control de encendido da alimentación al encendedor. Éste enciende la mezcla de combustible-aire en la cámara de combustión.

El sistema de control de extinción de la llama: este sistema hace que el calentador se apague si se extingue la llama.



Operación

FUNCIONAMIENTO

IMPORTANTE: revise y comprenda las advertencias que aparecen en la sección Información de seguridad. Son necesarias para hacer funcionar este calentador de manera segura. Siga todas las ordenanzas y códigos locales al utilizar este calentador.

CÓMO ENCENDER EL CALENTADOR

1. Siga toda la información de ventilación y seguridad.
2. Sitúe el calentador de manera que proporcione la máxima circulación del aire caliente. Siga todos los requisitos de ubicación observados en Información de seguridad.
3. Llene el tanque de combustible con keroseno, aceite combustible/diesel #1 ó #2, o combustible de aviación JET A o JP-8.
4. Fije la tapa de combustible.
5. En los modelos con termostato, gire la perilla del termostato en el sentido de las manecillas del reloj hasta la posición de alto.
6. Conecte el cable de alimentación del calentador a un cable de extensión trialámbrico aprobado, con conexión a tierra. El cable de extensión debe tener cuando menos 1,8 m (6 pies) de longitud.

Requisitos de tamaño del cable de extensión:

De 1,8 a 3 m (6 a 10 pies) de longitud, use un cable de clasificación 18 AWG (0,75 mm²)

De 3,3 a 30,5 m (11 a 100 pies) de longitud, use un cable de clasificación 16 AWG (1,0 mm²)

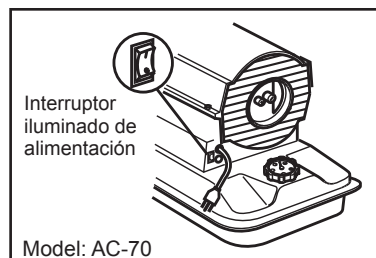
De 30,8 a 61 m (101 a 200 pies) de longitud, use un cable de clasificación 14 AWG (1,5 mm²)

7. Conecte el cable de extensión a un enchufe estándar con conexión a tierra de 120 voltios/60 hercios, de tres orificios. Presione el interruptor de alimentación a la posición de encendido (I) y el calentador debe encenderse dentro de 5 segundos (Fig. 2). Si el calentador no se enciende, consulte Solución de problemas.
8. Ajuste la perilla del termostato a la temperatura deseada.

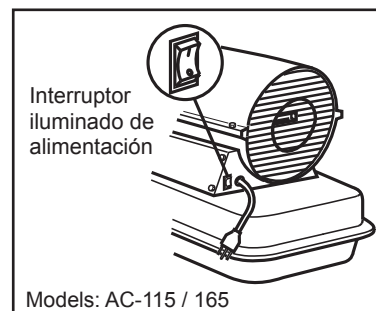
Nota: Cuando el calentador está frío puede afectar la configuración del termostato. Este termostato es un control de calefacción general. No está diseñado para un control preciso de temperatura. Ajuste el termostato hasta que el calentador complete un ciclo en la temperatura deseada.

PARA APAGAR EL CALENTADOR

Presione el interruptor de alimentación para colocarlo en la posición de apagado (O). Desconecte el calentador cuando no esté en uso.



Model: AC-70



Models: AC-115 / 165

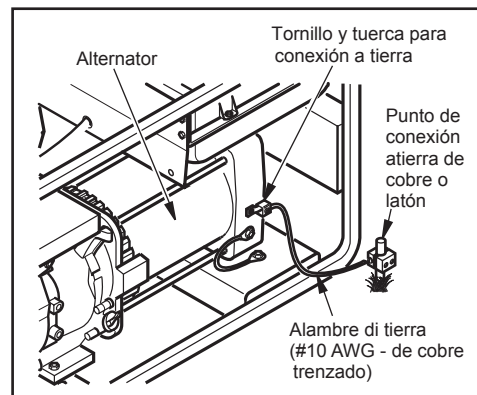
(Fig. 2)

FUNCIONAMIENTO (CONTINUACIÓN)

ADVERTENCIA: ANTES DE OPERAR EL CALENTADOR O CUALQUIER APARATO DESDE UN GENERADOR PORTÁTIL, VERIFIQUE QUE EL GENERADOR HAYA SIDO CONECTADO A TIERRA ADECUADAMENTE (FIG. 3). UNA CONEXIÓN INADECUADA A TIERRA O EL NO CONECTAR EL GENERADOR A TIERRA PUEDEN RESULTAR EN ELECTROCUCIÓN SI OCURRE UNA FALLA DE LA TIERRA. CONSULTE EL MANUAL DEL PROPIETARIO PROPORCIONADO POR EL FABRICANTE DEL GENERADOR PARA OBTENER LOS PROCEDIMIENTOS ADECUADOS DE CONEXIÓN A TIERRA.

El rango de tensión de funcionamiento del calentador es de 108 a 132 voltios (120 voltios +/- 10%). Antes de conectar el calentador al generador, debe verificarse la tensión de salida (si el generador está equipado con la función de estado de espera automático, la tensión de salida debe medirse con el generador funcionando a la velocidad máxima). Si la medida de tensión no alcanza este rango, el calentador no deberá conectarse al generador.

Consulte Funcionamiento, para ver los procedimientos de encendido, apagado y restablecimiento del calentador.



(Fig. 3)

Localización de Fallas



ADVERTENCIA: NUNCA REALICE REPARACIONES AL CALENTADOR MIENTRAS ESTÉ CONECTADO, EN FUNCIONAMIENTO O CALIENTE. PUEDEN OCURRIR QUEMADURAS GRAVES Y CHOQUES ELÉCTRICOS.

Condición de falla	Causa Posible	Remedio
El motor no enciende cinco segundos después de conectar el calentador.	No llega energía eléctrica al calentador.	Revise el interruptor de circuitos en el panel eléctrico.
	El interruptor de alimentación no está en la posición de encendido (I).	Verifique que el interruptor de alimentación esté en la posición de encendido (I) y que la luz esté encendida.
	La temperatura del termostato está ajustada muy baja.	Gire la perilla del termostato a un ajuste de temperatura más alto.
	Mala conexión eléctrica entre el motor y el ensamblaje del control de encendido, o del ensamblaje del control de encendido y el cable de alimentación.	Verifique todas las conexiones eléctricas. Consulte Diagrama de cableado.
	El rotor de la bomba está atascado.	Si el ventilador no gira libremente, consulte Rotor de la bomba.
	Ensamblaje del control de encendido defectuoso.	Reemplace el ensamblaje del control de encendido.
	El motor está defectuoso	Reemplace el motor
	Fusible o ensamblaje del control de encendido quemado.	Consulte Ensamblaje del control de encendido.



ADVERTENCIA: NUNCA REALICE REPARACIONES AL CALENTADOR MIENTRAS ESTÉ CONECTADO, EN FUNCIONAMIENTO O CALIENTE. PUEDEN OCURRIR QUEMADURAS GRAVES Y CHOQUES ELÉCTRICOS.

Condición de falla	Causa Posible	Remedio
El motor se enciende y funciona pero el calentador no enciende.	No hay combustible en el tanque.	Llene el tanque con keroseno
	La presión de la bomba no es la correcta.	Consulte Ajuste de la presión de la bomba.
	Filtro de combustible sucio.	Consulte Filtro de combustible
	Una obstrucción en la boquilla.	Consulte Ensamblaje de la boquilla.
	Hay agua en el tanque de combustible.	Drene y limpie el tanque de combustible con keroseno limpio. Consulte Almacenamiento, transporte o envío.
	Mala conexión eléctrica entre el encendedor y el ensamblaje del control de encendido.	Revise las conexiones eléctricas. Consulte Diagrama de cableado.
	Encendedor defectuoso.	Reemplace el encendedor.
El calentador se enciende pero el ensamblaje del control de encendido lo apaga después de unos pocos minutos.	Ensamblaje del control de encendido defectuoso.	Reemplace el ensamblaje del control de encendido.
	La presión de la bomba no es la correcta.	Consulte Ajuste de la presión de la bomba.
	Los filtros de entrada de aire, salida de aire y/o de pelusa están sucios.	Consulte Filtros de salida de aire, entrada de aire y de pelusa.
	Filtro de combustible sucio.	Consulte Filtro de combustible
	Una obstrucción en la boquilla.	Consulte Ensamblaje de la boquilla.
	Ensamblaje de la fotocélula instalado incorrectamente (no se ve la llama).	Asegúrese de que el recubrimiento de la fotocélula esté asentado adecuadamente en el soporte.
	La lente de la fotocélula está sucia.	Limpie la lente de la fotocélula.
	Mala conexión eléctrica entre la fotocélula y el ensamblaje del control de encendido.	Revise las conexiones eléctricas. Consulte Diagrama de cableado.
	Fotocélula defectuosa.	Vuelva a colocar la fotocélula.
	Ensamblaje del control de encendido defectuoso.	Reemplace el ensamblaje del control de encendido.

Servicio

MANTENIMIENTO

PROGRAMA DE MANTENIMIENTO PREVENTIVO:



ADVERTENCIA: NUNCA REALICE REPARACIONES AL CALENTADOR MIENTRAS ESTÉ CONECTADO, EN FUNCIONAMIENTO O CALIENTE. PUEDEN OCURRIR QUEMADURAS GRAVES Y CHOQUES ELÉCTRICOS.

Artículo	Frecuencia	Procedimiento
Tanque de combustible	Limpiar cada 150-200 horas de funcionamiento, según sea necesario.	Consulte Almacenamiento, transporte o envío.
Salida de aire y filtros de pelusa	Reemplácelos cada 500 horas de funcionamiento o una vez al año.	Consulte Filtros de salida de aire, entrada de aire y de pelusas.
Filtro de entrada de aire	Lave con jabón y agua y seque cada 500 horas de funcionamiento, o según sea necesario.	Consulte Filtros de salida de aire, entrada de aire y de pelusas.
Filtro de combustible	Limpiar dos veces durante la temporada de calefacción o según sea necesario.	Consulte Filtro de combustible.
Encendedor	No se necesita mantenimiento.	
Aspas del ventilador	Limpiar cada temporada o según sea necesario.	Consulte Ventilador.
Motor	No necesario/lubricado permanentemente.	

MANTENIMIENTO (CONTINUACIÓN):

⚠ ADVERTENCIA: PARA EVITAR EL RIESGO DE QUEMA DURAS Y CHOQUE ELÉCTRICO, NUNCA INTENTE DAR SERVICIO AL CALENTADOR MIENTRAS ESTÉ CONECTADO, FUNCIONANDO O CALIENTE.

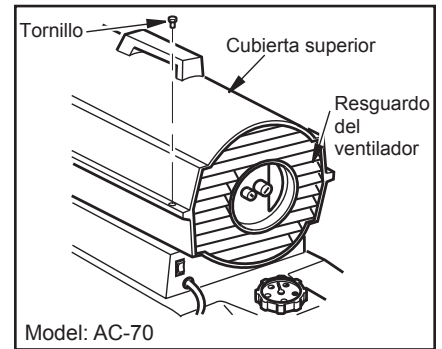
DESMONTAJE DE LA CUBIERTA SUPERIOR

1. Quite los tornillos a cada lado del calentador utilizando un destornillador para tuercas de 5/16 de pulgada. Estos tornillos unen las cubiertas superior e inferior. Consulte la figura 4 ó 5.
2. Levante y quite la cubierta superior.
3. Desmonte el resguardo del ventilador.

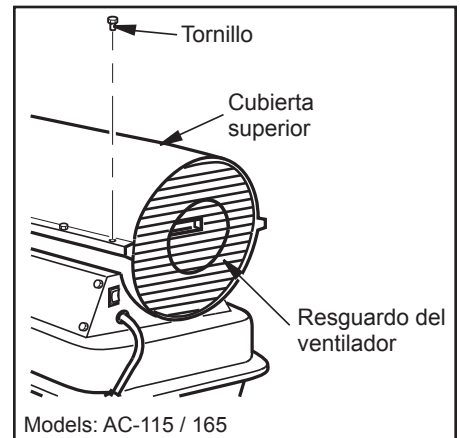
VENTILADOR:

IMPORTANTE: Quite el ventilador del eje del motor antes de extraer el motor del calentador. El peso del motor sobre el ventilador puede dañar la inclinación del ventilador (consulte la figura 6).

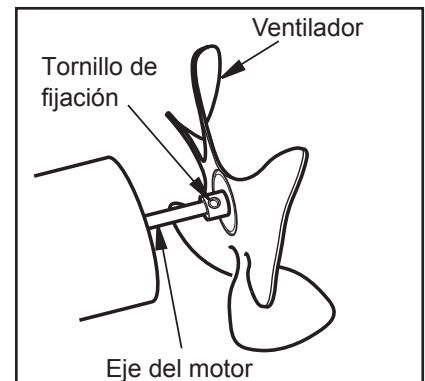
1. Desmonte la cubierta superior (consulte la figura 4 ó 5).
2. Use una llave allen de 1/8 de pulgada para aflojar el tornillo de tope que sujeta el ventilador al eje del motor.
3. Saque el ventilador del eje del motor.
4. Limpie el ventilador utilizando un trapo suave humedecido con keroseno o con solvente.
5. Seque completamente el ventilador.
6. Vuelva a colocar el ventilador en el eje del motor. Coloque el núcleo del ventilador al ras con el extremo del eje del motor (consulte la figura 7)
7. Coloque el tornillo de fijación en la parte plana del eje. Apriete el tornillo de fijación firmemente (40-50 libras-pulgadas/4,5-5,6 N-m).
8. Vuelva a colocar el resguardo del ventilador y la cubierta superior.



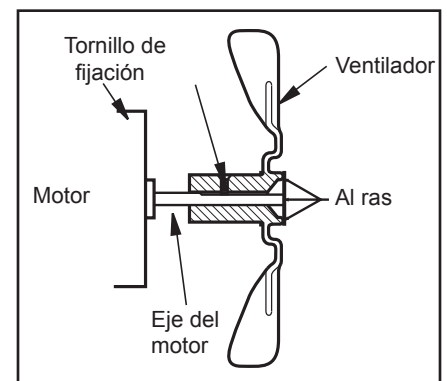
(Fig. 4)



(Fig. 5)



(Fig. 6)



(Fig. 7)

MANTENIMIENTO (CONTINUACIÓN):

FILTROS DE SALIDA DE AIRE, ENTRADA DE AIRE Y DE PELUSA

1. Desmonte la cubierta superior (consulte la figura 4 ó 5).
2. Extraiga los tornillos de la cubierta del extremo del filtro con un destornillador para tuercas de 5/16 de pulgada (consulte la figura 8 o la figura 9).
3. Desmonte la cubierta del extremo del filtro.
4. Reemplace los filtros de salida de aire y de pelusa.
5. Lave o reemplace el filtro de entrada de aire (consulte Programa de mantenimiento preventivo).
6. Vuelva a colocar la cubierta del extremo del filtro.
7. Vuelva a colocar el resguardo del ventilador y la cubierta superior.

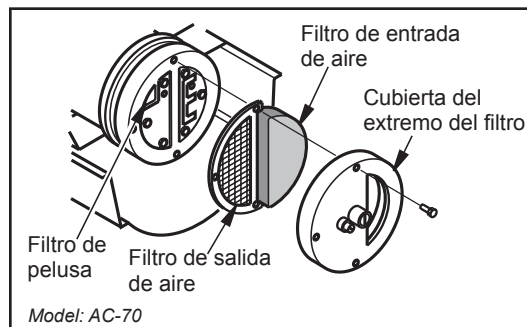
IMPORTANTE: No engrase los filtros.

AJUSTE DE LA PRESIÓN DE LA BOMBA

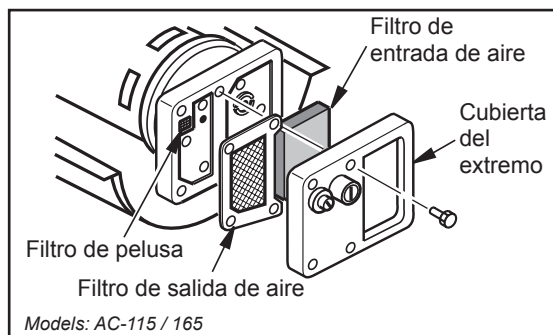
1. Retire el tapón medidor de presión de la cubierta del extremo del filtro (consulte la figura 10).
2. Instale el pieza medidor de presión.
3. Encienda el calentador (consulte Funcionamiento). Permita que el motor alcance la máxima velocidad.
4. Ajuste la presión. Gire la válvula de escape hacia la derecha para incrementar la presión. Gire la válvula de escape hacia la izquierda para disminuir la presión. Consulte las especificaciones para la presión correcta de cada modelo (consulte la figura 11).

Modelo	Presión de la bomba
70	4.7 PSI
115	5.1 PSI
165	5.6 PSI

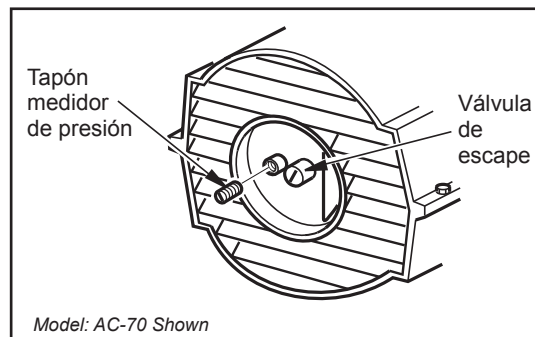
5. Desmonte el medidor de presión. Vuelva a colocar el tapón medidor de presión en la cubierta del extremo del filtro.



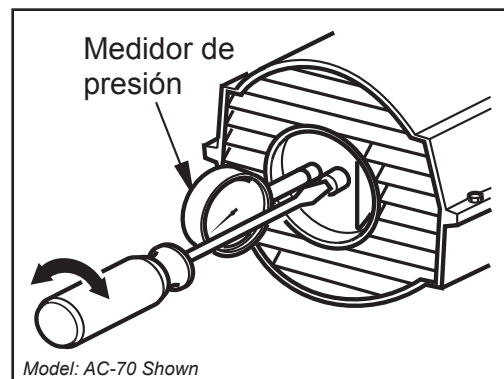
(Fig. 8)



(Fig. 9)



(Fig. 10)

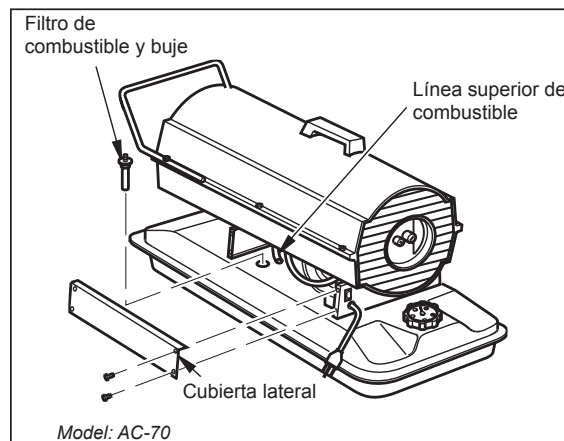


(Fig. 11)

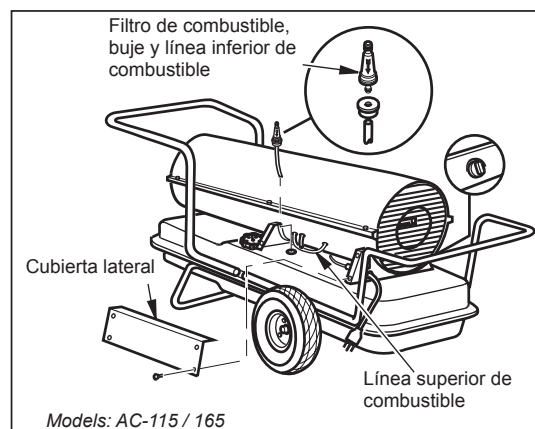
MANTENIMIENTO (CONTINUACIÓN):

FILTRO DE COMBUSTIBLE

1. Retire los tornillos de la cubierta lateral usando un destornillador para tuercas de 5/16 de pulgada.
2. Retire la cubierta lateral.
3. Quite la línea superior de combustible del cuello del filtro de combustible (consulte la figura 12 ó 13).
4. Saque cuidadosamente el buje, el filtro de combustible y la línea inferior de combustible (sólo para los modelos 115/165) del tanque de combustible (consulte la figura 13).
5. Lave el filtro de combustible con combustible limpio y vuelva a colocarlo en el tanque.
6. Conecte la línea superior de combustible al cuello del filtro de combustible.
7. Vuelva a colocar la cubierta lateral.



(Fig. 12)



(Fig. 13)

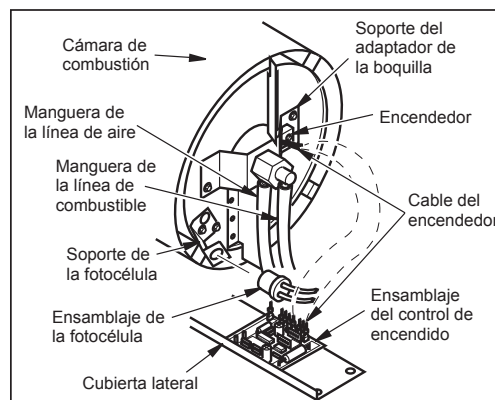
MANTENIMIENTO (CONTINUACIÓN):

ENCENDEDOR

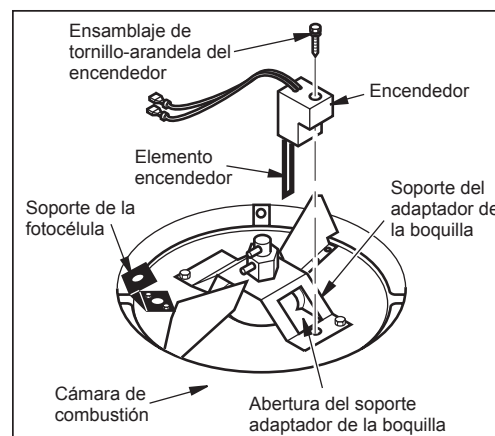
1. Desmonte la cubierta superior y el resguardo del ventilador (consulte Desmontaje de la cubierta superior).
2. Desmonte el ventilador.
3. Quite los 4 tornillos de la cubierta lateral con un destornillador para tuercas de 5/16 de pulgada. Desmonte la cubierta lateral (consulte las figuras 12 ó 13).
4. Desconecte los alambres del encendedor del ensamblaje del control de encendido (consulte la figura 14). Pase los alambres del encendedor a través del orificio en la cubierta inferior.
5. Desconecte la manguera de la línea de combustible y la manguera de la línea de aire. Desmonte la fotocélula del soporte de la misma (consulte la figura 14).
6. Desmonte la cámara de combustión. Coloque la cámara de combustión sobre un lado, con el lado del soporte del adaptador de la boquilla hacia arriba (consulte la figura 15).
7. Quite el tornillo del encendedor con un destornillador para tuercas de 1/4 de pulgada. Desmonte cuidadosamente el encendedor del soporte adaptador de la boquilla.

PRECAUCIÓN: NO DOBLE NI GOLPEE EL ELEMENTO ENCENDEDOR. MANÉJELO CON CUIDADO.

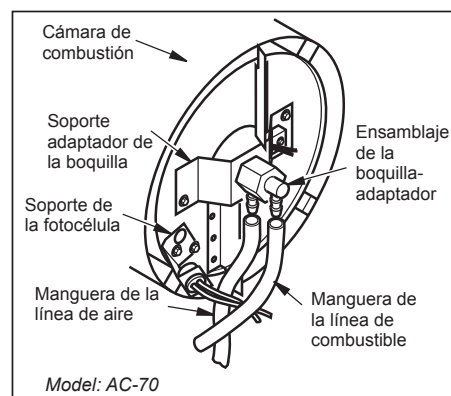
8. Retire cuidadosamente el encendedor de reemplazo de su empaque.
9. Guíe cuidadosamente el encendedor al interior de la abertura en el soporte adaptador de la boquilla. No golpee el elemento encendedor. Fije el encendedor al soporte adaptador de la boquilla con un tornillo utilizando un destornillador para tuercas de 1/4 de pulgada (consulte la figura 16). Apriete de 0,90 a 1,69 N-m (8 a 15 pulg-lb). No apriete demasiado.
10. Vuelva a colocar la cámara de combustión.
11. Pase los cables del encendedor nuevamente hacia abajo a través del orificio en la cubierta inferior. Conecte los cables al ensamblaje del control de encendido (consulte la figura 15).
12. Vuelva a colocar la cubierta lateral (consulte las figuras 13 ó 14).
13. Conecte y dirija la manguera de la línea de combustible y la manguera de la línea de aire al ensamblaje del adaptador de la boquilla. Consulte Reemplazo de las líneas de combustible y aire y su colocación adecuada.
14. Vuelva a colocar la fotocélula en el soporte correspondiente. Acomode los cables como se muestra en las figuras 16 ó 17.
15. Vuelva a colocar el ventilador.
16. Vuelva a colocar el resguardo del ventilador y la cubierta superior.



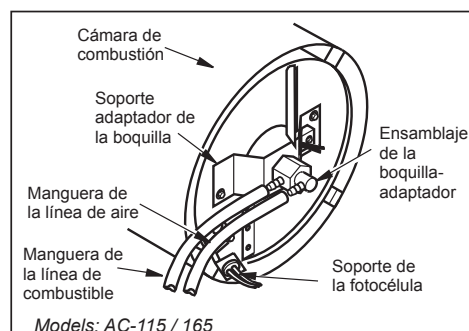
(Fig. 14)



(Fig. 15)



(Fig. 16)

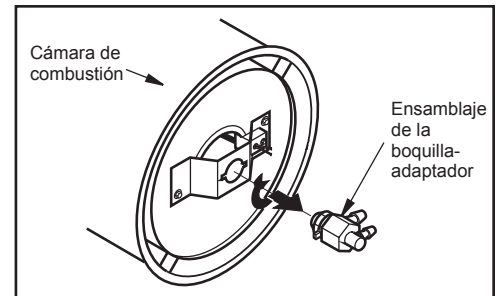


(Fig. 17)

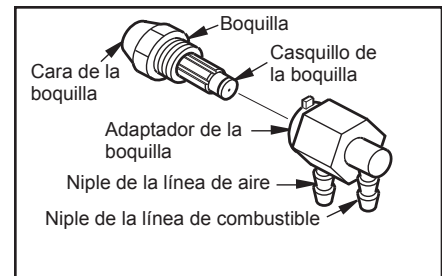
MANTENIMIENTO (CONTINUACIÓN):

ENSAMBLAJE DE LA BOQUILLA

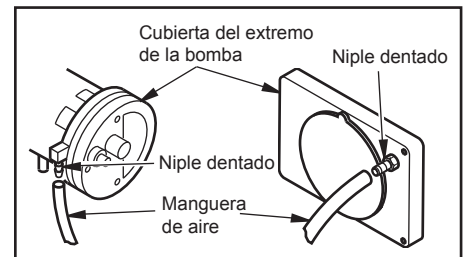
1. Desmonte la cubierta superior (consulte Desmontaje de la cubierta superior).
2. Desmonte el ventilador (consulte Ventilador).
3. Retire las mangueras de las líneas de aire y combustible del ensamblaje de la boquilla (consulte la figura 16 o la figura 17).
4. Gire el ensamblaje de la boquilla 1/4 de vuelta a la izquierda y tire de él hacia el motor para desmontarlo (consulte la figura 18).
5. Coloque la parte hexagonal de plástico en el tornillo de banco y apriete ligeramente.
6. Desmonte cuidadosamente la boquilla del adaptador de la boquilla utilizando una llave tubular de 5/8 de pulgada (consulte la figura 19).
7. Sople aire comprimido a través de la cara de la boquilla. Esto eliminará suciedades del área de la boquilla.
8. Inspeccione el casquillo de la boquilla en busca de daños.
9. Vuelva a colocar la boquilla en el adaptador hasta que la boquilla se asiente. Apriete 1/3 de vuelta más usando una llave tubular de 5/8 pulgadas de 4,5 a 5,1 N-m (40 a 45 pulg-lb). Consulte la figura 19.
10. Conecte el ensamblaje de la boquilla a la banda del quemador (consulte la figura 18).
11. Conecte las mangueras de las líneas de aire y combustible al ensamblaje de la boquilla. Consulte Reemplazo de las líneas de combustible y aire y su colocación adecuada.
12. Vuelva a colocar el ventilador (consulte Ventilador).
13. Vuelva a colocar el resguardo del ventilador y la cubierta superior (consulte Desmontaje de la cubierta superior).



(Fig. 18)



(Fig. 19)



(Fig. 20)

REEMPLAZO DE LAS LÍNEAS DE COMBUSTIBLE Y AIRE Y SU COLOCACIÓN ADECUADA.

1. Desmonte la cubierta superior (consulte Desmontaje de la cubierta superior).
2. Quite los tornillos de la cubierta lateral utilizando un destornillador para tuercas de 5/16 de pulgada (consulte la figura 12 ó 13).
3. Retire la cubierta lateral.
4. Inspeccione las mangueras de las líneas de combustible y aire en busca de rajaduras u orificios. Si la manguera de la línea de combustible está dañada, desconéctela del adaptador de la boquilla (consulte la figura 16 ó 17) y del filtro de combustible (consulte Filtro de combustible). Si la manguera de la línea de aire está dañada, desconéctela del adaptador de la boquilla (consulte la figura 16 ó 17) y del niple dentado en la cubierta del extremo de la bomba (consulte la figura 20).
5. Instale la nueva línea de aire o de combustible. Fije un extremo de la manguera de la línea de aire al niple dentado en la cubierta del extremo de la bomba (consulte la figura 20) y el otro extremo al adaptador de la boquilla (consulte la figura 16 ó 17). Fije un extremo de la manguera de la línea de combustible al filtro de combustible (consulte Filtro de combustible) y el otro extremo al adaptador de la boquilla (consulte la figura 16 ó 17).

NOTA: coloque las mangueras como se muestra en la figura 16 ó 17, según el modelo. Las mangueras no deben tocar el soporte de la fotocélula.

6. Vuelva a colocar la cubierta lateral.
7. Vuelva a colocar la cubierta superior y el resguardo del ventilador (consulte Desmontaje de la cubierta superior).

MANTENIMIENTO (CONTINUACIÓN):

ROTOR DE LA BOMBA:

(Procedimiento en caso que el rotor esté atascado)

1. Desmonte la cubierta superior (consulte Desmontaje de la cubierta superior).
2. Quite los tornillos de la cubierta del extremo del filtro utilizando un destornillador para tuercas de 5/16 de pulgada (consulte la figura 21 ó 22).
3. Retire la cubierta del extremo del filtro y los filtros de aire.
4. Quite los tornillos de la placa de la bomba utilizando un destornillador para tuercas de 5/16 de pulgada.
5. Desmonte la pieza de la bomba.
6. Desmonte el rotor, la pieza de inserción y las láminas (consulte la figura 21 ó 22).
7. Verifique que no haya residuos en la bomba. Si encuentra residuos, sople con aire comprimido.
8. Instale la parte de inserción y el rotor.
9. Revise el espacio libre del rotor. Ajústelo a 0,076/0,101 mm (0,003/0,004 pulgadas) si es necesario (consulte la figura 23).

NOTA: Gire el rotor una vuelta completa para asegurarse de que el espacio sea de 0,076/0,101 mm (0,003/0,004 pulgadas) en la posición más cercana. Ajuste si es necesario.

10. Instale las láminas, la placa de la bomba, los filtros de aire y la cubierta del extremo del filtro.
11. Vuelva a colocar el resguardo del ventilador y la cubierta superior (consulte Desmontaje de la cubierta superior).
12. Ajuste la presión de la bomba (consulte Ajuste de la presión de la bomba).

NOTA: Si el rotor aún está atascado, proceda como se indica a continuación.

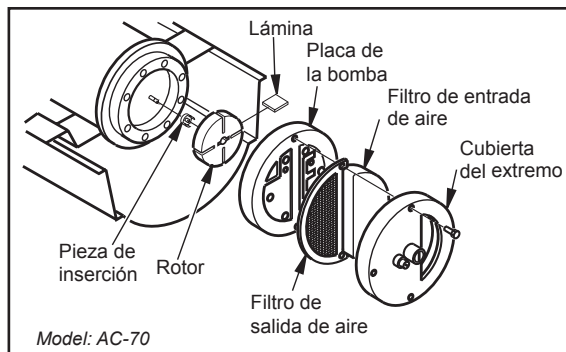
13. Realice los pasos 1a 6.
14. Coloque un pedazo de lija muy fina (de grano 600) en una superficie plana. Lije el rotor ligeramente haciendo movimientos en forma de "8" cuatro veces (consulte la figura 24).
15. Vuelva a instalar la parte de inserción y el rotor.
16. Realice los pasos 10 a 12.

ENSAMBLAJE DEL CONTROL DE ENCENDIDO

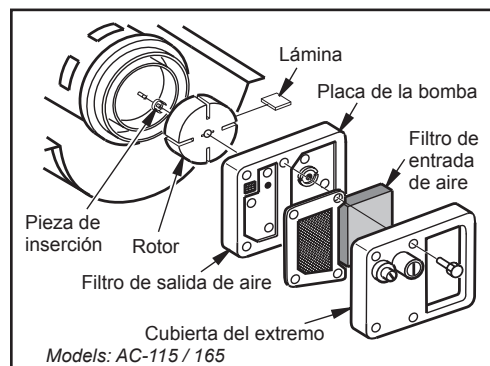


ADVERTENCIA: ¡ALTA TENSION!

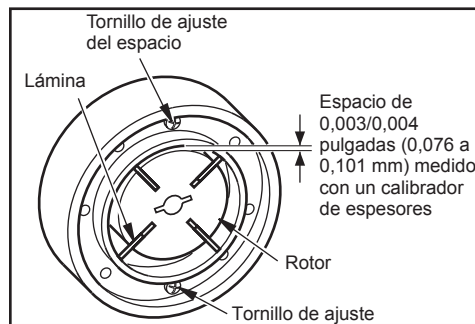
1. Desenchufe el calentador.
2. Extraiga los tornillos de la cubierta lateral (4) usando un destornillador para tuercas de 5/16 de pulgada para tener acceso al ensamblaje del control de encendido.
3. Desmonte la cubierta del fusible (consulte la figura 25).
4. Retire el fusible de los sujetadores (consulte la figura 25).
5. Reemplace el fusible con otro del mismo tipo y clasificación (GMA-10). No sustituya un fusible con uno de más alta gama de corriente.
6. Vuelva a colocar la cubierta del fusible (consulte la figura 25).
7. Vuelva a colocar la cubierta lateral.



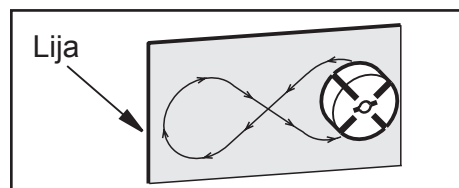
(Fig. 21)



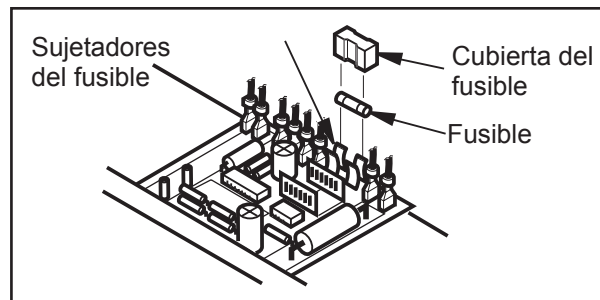
(Fig. 22)



(Fig. 23)



(Fig. 24)



(Fig. 25)

Almacenamiento

ALMACENAMIENTO

ALMACENAMIENTO, TRANSPORTE O ENVÍO:

NOTA: *Si se envía, las compañías de transporte requieren que los tanques de combustible estén vacíos.*

1. Drene el tanque de combustible. Nota: Algunos modelos tienen un tapón de drenado en el fondo del tanque de combustible. Si es el caso, quite el tapón para drenar todo el combustible. Si el calentador no cuenta con un tapón de drenado, drene el combustible por medio de la abertura de la tapa de combustible. Asegúrese de extraer todo el combustible.
2. Vuelva a colocar el tapón de drenado, si cuenta con uno.
3. Si se observa cualquier residuo en el combustible usado, agregue 1 ó 2 litros de keroseno limpio al tanque, agite, y drene nuevamente. Esto prevendrá que el exceso de residuos tape los filtros durante el uso en el futuro.
4. Vuelva a colocar la tapa de combustible o el tapón de drenado. Deseche adecuadamente el combustible usado y sucio. Consulte con las estaciones de servicio automovilístico locales que reciclan los aceites.
5. En caso de almacenamiento, almacene el calentador en un lugar seco. Asegúrese de que el lugar de almacenamiento esté libre de polvo y vapores corrosivos.

IMPORTANTE: No almacene keroseno durante los meses de verano para utilizarse en la siguiente temporada de frío. El utilizar combustible viejo puede dañar el calentador.

Especificaciones

ARTÍCULO	ESPECIFICACIÓN		
Tamaño del modelo	70	115	165
Potencia nominal de salida (BTU/h)	70,000	115,000	165,000
Combustible	Use solamente keroseno, diesel/aceite combustible #1 ó #2, combustible de aviación JET A o JP-8*		
Capacidad del tanque de combustible (galones de EE.UU./litros)	5 / 18.9	9 / 34	13.5 / 51
Consumo de combustible (gal. por hora/litros por hora)	.52 / 1.97	.85 / 3.00	1.2 / 4.54
Presión de la bomba (PSI)	4.7	5.1	5.6
Requisitos de electricidad	120V / 60 HZ	120V / 60 HZ	120V / 60 HZ
Amperaje (funcionamiento normal)	2.8	3.6	3.6
RPM del motor	3440	3400	3400
Salida de aire caliente (pies ³ /min)	360	490	575
Caballos de fuerza del motor	1/8	1/5	1/5
Peso de envío (aproximadamente en libras/kilogramos)	36 / 16.3	56 / 25.4	71 / 32.2
Peso del calentador sin combustible (aproximadamente en libras/kilogramos)	32 / 14.5	48 / 21.8	61 / 27.7

* El uso de diesel/aceite combustible #2 resultará en olor perceptible y puede requerir mantenimiento adicional del filtro de combustible. El uso en temperaturas de frío extremo puede requerir aditivos no tóxicos anticongelantes.

ANOTE NÚMERO SERIE

Escriba número de modelo, número serie de máquina (vea etiqueta de número serie (A) en ilustración y fecha de compra en espacios abajo. Su concesionario necesita esta información cuando ordenando partes.

Num. de modelo _____

Num. serie de máquina _____

Fecha de compra _____
(llene de comprador)

DECLARACIÓN DE GARANTÍA

John Deere garantiza que todas las piezas (excepto aquellas a las que se hace referencia abajo), de su nueva calentador libres de defectos en materiales y mano de obra durante los periodos siguientes:

Por dos (2) año a partir de la fecha original de compra.

Las piezas defectuosas que no están sujetas a deterioro causado por el uso serán reparadas o reemplazadas a nuestra opción durante el periodo de garantía. En todo caso, el reembolso está limitado al precio de compra pagado.

EXCLUSIONES

1. Esta garantía no cubre las piezas que son dañadas debido al desgaste normal, aplicación incorrecta, uso erróneo, operación en otro que recomendado. La falta de seguir funcionar recomendado y los procedimientos de mantenimiento anular la garantía también.
2. El uso de otras piezas de reparación genuinas del fabricante anulará la garantía.
3. La garantía será vacío si está utilizada en cualquiera uso con excepción de consumidor/ dueño de casa. Las piezas vueltas, pagado por adelantado a nuestra fábrica o a un centro de servicio autorizado de John Deere serán examinadas y reemplacen gratuitamente si estan encontradas para ser defectuosas y conforme a garantía. No hay garantías que extienden más de la descripción de la cara de esto. Debajo de ningunas circunstancias el fabricante tendrá algo responsabilidad de perdida de uso de la unidad, la perdida de tiempo o de alquiler, la inconveniencia, la perdida comercial o los daños consecuentes.

PARA SERVICIO O CONSIDERACION DE LA GARANTIA CONSULTE CON:
Mi-T-M® Corporation/8650 Enterprise Drive, Box 50/Peosta, IA 52068-0050
Telefono: 1-877-JD-KLEEN / (1-877-535-5336) Fax: 563-556-1235
Lunes - Viernes 8:00 a.m. - 5:00 p.m. CST



#37-0828-080604-E-F-S
114619-01A



Manufactured for Deere & Company
Moline, Illinois 61265
Space Heater Operator's Manual

Free Manuals Download Website

<http://myh66.com>

<http://usermanuals.us>

<http://www.somanuals.com>

<http://www.4manuals.cc>

<http://www.manual-lib.com>

<http://www.404manual.com>

<http://www.luxmanual.com>

<http://aubethermostatmanual.com>

Golf course search by state

<http://golfingnear.com>

Email search by domain

<http://emailbydomain.com>

Auto manuals search

<http://auto.somanuals.com>

TV manuals search

<http://tv.somanuals.com>