

AC-350 SPACE HEATER



JOHN DEERE

**OPERATOR'S
MANUAL**



Introduction

THANK YOU for purchasing a John Deere product.

READ THIS MANUAL carefully to learn how to operate and service your machine correctly. Failure to do so could result in personal injury or equipment damage. This manual and safety signs on your machine may also be available in other languages. (See your John Deere dealer to order.)

THIS MANUAL SHOULD BE CONSIDERED a permanent part of your machine and should remain with the machine when you sell it.

MEASUREMENTS in this manual are given in both metric and customary U.S. unit equivalents. Use only correct replacement parts and fasteners. Metric and inch fasteners may require a specific metric or inch wrench.

The SERIAL NUMBER is located in the Specification or Identification Numbers section. Accurately record all the numbers to help in tracing the machine should it be stolen. Your dealer also needs these numbers when you order parts. File the identification numbers in a secure place off the machine.

WARRANTY is provided from your John Deere dealer for customers who operate and maintain their equipment as described in this manual. The warranty is explained on the warranty certificate shown in this manual.

This warranty provides you the assurance that your dealer will back products where defects appear within the warranty period. Should the equipment be abused, or modified to change its performance beyond the original factory specifications, the warranty will become void.



GENERAL HAZARD WARNING:
FAILURE TO COMPLY WITH THE PRECAUTIONS AND INSTRUCTIONS PROVIDED WITH THIS HEATER, CAN RESULT IN DEATH, SERIOUS BODILY INJURY AND PROPERTY LOSS OR DAMAGE FROM HAZARDS OF FIRE, EXPOSITION, BURN, ASPHYXIATION, AND/OR CARBON MONOXIDE POISONING.

ONLY PERSONS WHO CAN UNDERSTAND AND FOLLOW THE INSTRUCTIONS SHOULD USE OR SERVICE THIS HEATER.
IF YOU NEED ASSISTANCE OR HEATER INFORMATION SUCH AS AN INSTRUCTIONS MANUAL, LABELS, ETC. CONTACT THE MANUFACTURER.



WARNING: FIRE, BURN, INHALATION AND EXPLOSION HAZARD. KEEP SOLID COMBUSTIBLES, SUCH AS BUILDING MATERIALS, PAPER OR CARDBOARD, A SAFE DISTANCE AWAY FROM THE HEATER AS RECOMMENDED BY THE INSTRUCTIONS NEVER USE THE HEATER IN SPACES WHICH DO OR MAY CONTAIN VOLATILE OR AIRBORNE COMBUSTIBLES OR PRODUCTS SUCH AS GASOLINE, SOLVENTS, PAINT THINNER, DUST PARTICLES OR UNKNOWN CHEMICALS.



WARNING: NOT FOR HOME OR RECREATIONAL VEHICLE USE.



WARNING

This product contains and/or generates chemicals known to the State of California to cause cancer or birth defects, or other reproductive harm.

Contents

	Page
Safety	4
Controls	11
Preparation	12
Operation	14
Troubleshooting	16
Service	19
Storage	24
Specifications	25
Wire Diagram	26
Warranty	27
Notes	28-29

All information, illustrations and specifications in this manual are based on the latest information available at the time of publication. The right is reserved to make changes at any time without notice.

Safety

RECOGNIZE SAFETY INFORMATION

This is the safety alert symbol. When you see this symbol on your machine or in this manual, be alert to the potential for personal injury.

Follow recommended precautions and safe operating practices.



UNDERSTAND SIGNAL WORDS

A signal word--DANGER, WARNING or CAUTION--is used with the safety-alert symbol. DANGER identifies the most serious hazards.

DANGER or WARNING safety signs are located near specific hazards. General precautions are listed on CAUTION safety signs. CAUTION also calls attention to safety messages in this manual.

 **DANGER**

 **WARNING**

 **CAUTION**

FOLLOW SAFETY INSTRUCTIONS

Carefully read all safety messages in this manual and on your machine safety signs. Keep safety signs in good condition. Replace missing or damaged safety signs. Be sure new equipment components and repair parts include the current safety signs. Replacement safety signs are available from your John Deere dealer.

Read this owner's manual carefully and completely before trying to assemble, operate, or service this space heater. Improper use of this space heater can cause serious injury or death from burns, fire, explosion, electrical shock, and carbon monoxide poisoning.

Make certain you read and understand all warnings. Keep this manual for reference. It is your guide to safe and proper operation of this space heater.

If you do not understand any part of this manual and need assistance, contact your John Deere dealer.





CARBON MONOXIDE - POISONOUS GAS



DANGER: CARBON MONOXIDE POISONING MAY LEAD TO DEATH!

Space heaters exhaust contains carbon monoxide - a poisonous gas that can kill you. You CAN NOT smell or see this gas.

Carbon Monoxide Poisoning: Early signs of carbon monoxide poisoning resemble the flu, with headaches, dizziness, and/or nausea. If you have these signs, the space heater may not be working properly. Get fresh air at once! Have space heater serviced. Some people are more affected by carbon monoxide than others. These include pregnant women, persons with heart or lung disease or anemia, those under the influence of alcohol, and those at high altitudes.

Never use a space heater in enclosed or partially-enclosed spaces without proper ventilation. Use only in well-vented areas. Before using space heater, provide at least a three-square-foot (2800 square cm) opening of fresh, outside air for each 100,000 Btu / Hr (30 kw) of rating. Space heaters can produce high levels of carbon monoxide very quickly. When you use a space heater, remember that you cannot smell or see carbon monoxide. Even if you can't smell exhaust fumes, you may still be exposed to carbon monoxide.

If you start to feel sick, dizzy, or weak while using a space heater, get to fresh air **RIGHT AWAY**. **DO NOT DELAY**. The carbon monoxide from space heaters can rapidly lead to full incapacitation and death.

If you experience serious symptoms, get medical attention immediately. Inform medical staff that carbon monoxide poisoning is suspected. If you experienced symptoms while indoors, have someone call the fire department to determine when it is safe to re-enter the building.

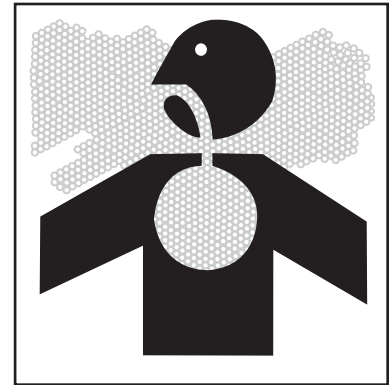
NEVER operate the space heater in an explosive atmosphere, near combustible materials or where ventilation is not sufficient to carry away exhaust fumes. **Exhaust fumes can cause serious injury or death.**

NEVER run space heaters inside homes, garages, sheds, or other semi-enclosed spaces without proper ventilation. These spaces can trap poisonous gases **EVEN IF** you run a fan or open doors and windows. Use only in well-vented areas. Before using space heater, provide at least a three-square-foot (2800 square cm) opening of fresh, outside air for each 100,000 Btu / Hr (30 kw) of rating.

If you start to feel sick, dizzy, or weak while using the space heater, shut it off and get fresh air **RIGHT AWAY**. See a doctor. You may have carbon monoxide poisoning.

Install battery-operated carbon monoxide alarms or plug-in carbon monoxide alarms with battery back-up in your home, according to the manufacturer's installation instructions. The carbon monoxide alarms should be certified to the requirements of the latest safety standards for carbon monoxide alarms. (UL 2034, IAS 6-96, or CSA 6.19.01).

Test your carbon monoxide alarm frequently and replace dead batteries.





SAFETY WARNING WHEN REFUELING

Use only kerosene or #1 fuel oil to avoid risk of fire or explosion. Never use gasoline, naphtha, paint thinners, alcohol, or other highly flammable fuels. Personnel involved with fueling shall be qualified and thoroughly familiar with the manufacturer's instructions and applicable regulations regarding the safe fueling of heating units.

Only the type of fuel specified on the space heater's data plate shall be used.

All flame, including the pilot light, if any, shall be extinguished and the space heater allowed to cool, prior to fueling.

During fueling, all fuel lines and fuel-line connections shall be inspected for leaks. Any leaks shall be repaired prior to returning the space heater to service.

At no time shall more than one day's supply of space heater fuel be stored inside a building in the vicinity of the space heater. Bulk fuel storage shall be outside the structure.

All fuel storage shall be located a minimum of 25 feet (762cm) from space heaters, torches, welding equipment, and similar sources of ignition (exception: the fuel reservoir integral with the space heater unit).

Whenever possible, fuel storage shall be confined to areas where floor penetrations do not permit fuel to drip onto or be ignited by a fire at lower elevation.

Fuel storage shall be in accordance with the authority having jurisdiction.

Observe all safety regulations for the safe handling of fuel. Handle fuel in safety containers. If the container does not have a spout, use a funnel.

Do not overfill the fuel tank, leave room for the fuel to expand.

Do not refill fuel tank while the unit is running. Before refueling the space heater, turn it off and let it cool down.

Fill the tank only on an area of bare ground. While fueling the tank, keep heat, sparks and open flame away. Carefully clean up any spilled fuel before starting the unit.

Always fill fuel tank in an area with plenty of ventilation to avoid inhaling dangerous fumes.

NEVER store fuel for your space heater in the home. Gasoline, propane, kerosene, and other flammable liquids should be stored outside of living areas in properly-labeled, non-glass safety containers. Do not store them near a fuel-burning appliance, such as a natural gas water heater in a garage. If the fuel is spilled or the container is not sealed properly, invisible vapors from the fuel can travel along the ground and can be ignited by the appliance's pilot light or by arcs from electric switches in the appliance.





ELECTRICAL HAZARDS



DANGER- IMPROPER CONNECTION OF THE EQUIPMENT- GROUNDING CONDUCTOR CAN RESULT IN A RISK OF ELECTROCUTION. CHECK WITH A QUALIFIED ELECTRICIAN OR SERVICE PERSON IF YOU ARE IN DOUBT AS TO WHETHER THE UNIT IS PROPERLY GROUNDED.

Use only the electrical voltage and frequency specified on model plate.

Space heater must be grounded. Use only a properly grounded three-wire extension cord. Plug into grounded outlet only. If it should malfunction or breakdown, grounding provides a path of least resistance for electric current to reduce the risk of electric shock.

The space heater is a potential source of electrical shock if not kept dry. Keep the space heater dry and do not use in rain or wet conditions. To protect from moisture, operate it on a dry surface under an open, canopy-like structure. Dry your hands if wet before touching the space heater.

Check that the entire cord is free of cuts or tears and that the plug has all three prongs, especially a grounding pin.

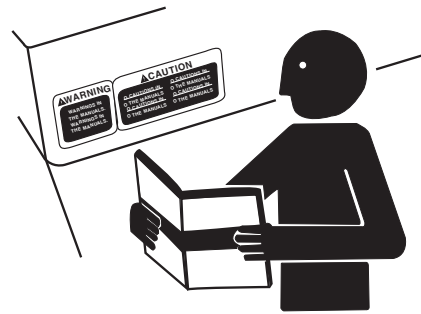




IMPORTANT SAFETY INSTRUCTIONS

Make certain you read and understand all warnings. Keep this manual for reference. It is your guide to safe and proper operation of this heater.

1. Use only in areas free of flammable vapors or high dust content.
2. Minimum heater clearances from combustible materials:
Outlet: 8 Ft. (2.44 m), Sides: 4 Ft. (1.2 m), Top: 6 Ft. (1.83 m),
Rear: 4 Ft. (1.2 m)
3. Locate space heater on a stable and level surface while hot or operating or a fire may occur.
4. Use only in well-vented areas. Before using space heater, provide at least a three-square-foot (2800 square cm) opening of fresh, outside air for each 100,000 Btu / Hr (30 kw) of rating.
5. Keep children and animals away from space heater at all times.
6. Use space heater only in accordance with local ordinances and codes.
7. Keep space heater area clear and free from combustible materials, gasoline, paint thinner and other flammable vapors and liquids.
8. Never use space heater in living or sleeping areas.
9. Never leave a space heater plugged in without adult supervision if children or animals are likely to be present. Do not leave heater unattended.
10. Never move, handle or service a hot or operating heater. Severe burns may result. You must wait 15 minutes after turning heater off.
11. Never attach duct work to front or rear of space heater.
12. Space heaters used in the vicinity of tarpaulins, canvas, or similar enclosure materials shall be located a safe distance from such materials. The recommended minimum safe distance is 10 feet (304.8cm). It is further recommended that these enclosure materials be of a fire retardant nature. These enclosure materials shall be securely fastened to prevent them from igniting or from upsetting the space heater due to wind action.
13. Unplug space heater when not in use.
14. Never block air inlet (rear) or air outlet (front) of space heater.
15. This product has been approved for use in the Commonwealth of Massachusetts.
16. Use only the hose and factory preset regulator provided with the heater.
17. Use only with the electrical voltage and frequency specified on model plate.
18. For indoor use only. Do not use heater outdoors.





IMPORTANT SAFETY INSTRUCTIONS

19. When moving or storing heater, keep heater in a level position or fuel spillage may occur.
20. Check heater for damage before each use. Do not use a damaged heater.
21. Check hose before each use of heater. If highly worn or cut, replace with hose specified by manufacturer before using heater.
22. Keep heater away from strong drafts, wind, water spray, rain or dripping water.
23. To prevent injury, wear gloves when handling heater.
24. Do not alter heater. Keep heater in its original state.
25. Do not use heater if altered.
26. Use only original replacement parts. This heater must use design-specific parts. Do not substitute or use generic parts. Improper replacement parts could cause serious or fatal injuries.
27. This heater is equipped with a thermostat. Plugged in heater may start at anytime!
28. Never start heater when combustion chamber is hot or if fuel has accumulated in combustion chamber.
29. Never move, handle, refuel or service a hot, operating or plugged-in heater.

SAVE THESE INSTRUCTIONS





WEAR PROTECTIVE CLOTHING

Wear close fitting clothing and safety equipment appropriate to the job.

Wear a suitable hearing protective device such as earmuffs or earplugs to protect against objectionable or uncomfortable loud noises.

Operating equipment safely requires the full attention of the operator. Do not wear radio or music headphones while operating machine.

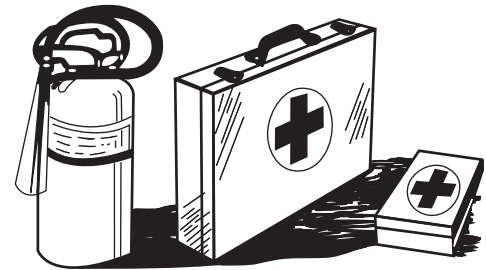


PREPARE FOR EMERGENCIES

Keep a first aid kit and fire extinguisher handy.

Keep emergency numbers for doctors, ambulance service, hospital and fire department near your telephone.

Be prepared if a fire starts.



INSPECT SPACE HEATER

Be sure all covers, guards and shields are tight and in place.

Locate all operating controls and safety labels. Inspect power cord for damage before using. There is a hazard of electrical shock from crushing, cutting or heat damage.

Remove all packing items applied to space heater for shipment. Remove all items from carton. Check items for any shipping damage. If space heater is damaged, promptly inform dealer where you bought space heater.

SERVICE SPACE HEATER SAFELY

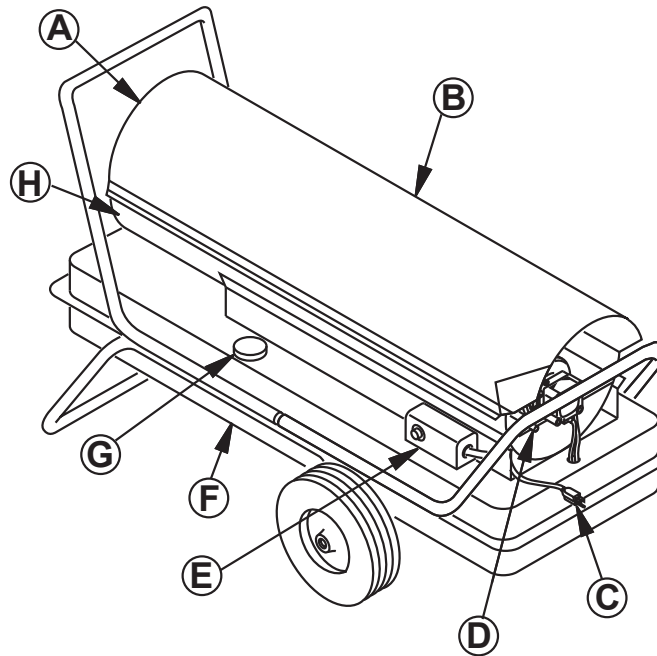
Before servicing the space heater, disconnect all equipment and battery (if equipped) and allow unit to cool down.

Service space heater in a clean dry flat area.

Controls

CONTROLS

AC-350



A -- Hot Air Outlet (Front)
B -- Upper Shell
C -- Power Cord

D -- Flame-Out Control Reset Button
E -- Thermostat
F -- Fuel Tank

G -- Fuel Cap
H -- Lower Shell

Preparation

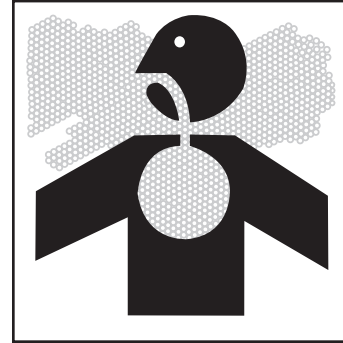
VENTILATION

⚠ WARNING: FOLLOW THE MINIMUM FRESH, OUTSIDE AIR VENTILATION REQUIREMENTS. IF PROPER FRESH, OUTSIDE AIR VENTILATION IS NOT PROVIDED, CARBON MONOXIDE POISONING CAN OCCUR. PROVIDE PROPER FRESH, OUTSIDE AIR VENTILATION BEFORE RUNNING HEATER.

Fresh Air Opening Requirements:

Heater Size	Square Feet Opening
350,000 Btu/Hr	10.5

Note: If you use more than one heater, provide extra fresh air. Provide a fresh air opening of at least three square feet for each 100,000 Btu/Hr rating.



FUELS

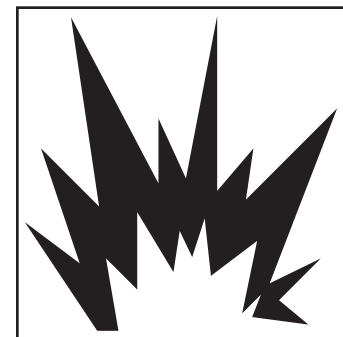
⚠ WARNING: USE ONLY KEROSENE OR #1 FUEL OIL TO AVOID RISK OF FIRE OR EXPLOSION. NEVER USE GASOLINE, NAPHTHA, PAINT THINNERS, ALCOHOL OR OTHER HIGHLY FLAMMABLE FUELS.

Do not use heavy fuels such as No. 2 fuel oil or No. 2 diesel.

Using heavy fuels will result in:

- clogged fuel filter and nozzle
- carbon build-up on spark plug
- the need of non-toxic anti-icer in fuel during very cold weather

IMPORTANT: Use a **KEROSENE ONLY** storage container. Be sure storage container is clean. Foreign matter such as rust, dirt or water will cause flame-out control to shut down heater. Foreign matter may also require you to clean fuel system often.



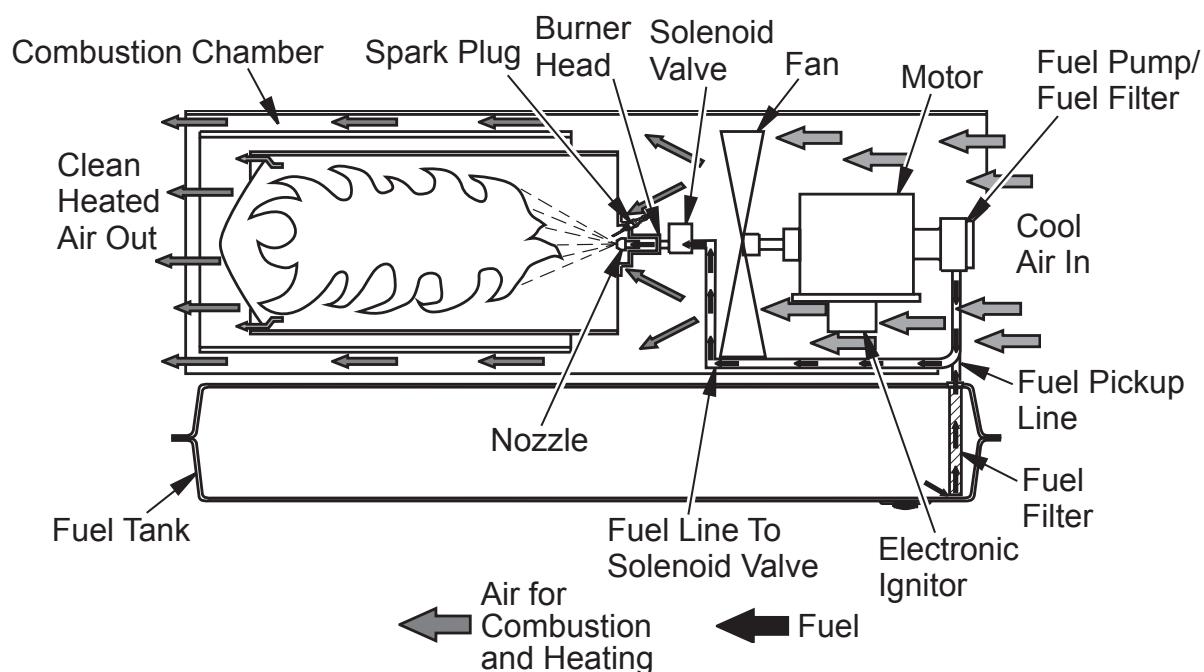
THEORY OF OPERATION

The Fuel System: The motor turns the fuel pump. The fuel pump pulls fuel from the fuel tank. The fuel pump pushes fuel through a filter and a solenoid valve and out the burner head nozzle. A fine mist of fuel is sprayed into the combustion chamber.

The Air System: The motor turns the fan. The fan pushes air into and around the combustion chamber. This air is heated and provides a stream of clean, hot air.

The Ignition System: The electronic ignitor sends voltage to the spark plug. The spark plug ignites the fuel and air mixture.

The Flame-Out Control System: This system causes the heater to shut down if the flame goes out. It also allows the fan to continue running after normal shutdown of heater. This cools the combustion chamber.



Operation

OPERATION

IMPORTANT: Review and understand the warnings in the Safety Information section. They are needed to safely operate this space heater. Follow all local ordinances and codes when using this space heater.



WARNING: FOLLOW THE MINIMUM FRESH, OUTSIDE AIR VENTILATION REQUIREMENTS. IF PROPER FRESH, OUTSIDE AIR VENTILATION IS NOT PROVIDED, CARBON MONOXIDE POISONING CAN OCCUR. PROVIDE PROPER FRESH, OUTSIDE AIR VENTILATION BEFORE RUNNING HEATER.

START SPACE HEATER:

1. Follow all ventilation and safety information.
2. Locate heater to provide maximum circulation of the heated air. Follow all location requirements noted in the Safety Information section of this manual.
3. Fill fuel tank with kerosene or #1 fuel oil.
4. Attach fuel cap.
5. Set thermostat dial to desired temperature.

Note: *Thermostat setting must be higher than surrounding air temperature.*

6. Plug power cord of heater into three-prong, grounded extension cord. Extension cord must be at least 6 feet long.



WARNING: USE ONLY A THREE-PRONG, GROUNDED EXTENSION CORD. USE CORD WITH PROPER WIRE SIZE TO ASSURE 120 VOLT OPERATION. (FIG. 1)

7. Plug extension cord into standard 120 volt/60 hertz, three-hole, grounded outlet.
8. The motor will start when extension cord is plugged into outlet. The heater should ignite at once. If heater does not ignite, restart heater. To restart heater, wait 60 seconds, then push in flame-out control reset button. Flame-out control reset button is at rear of heater near power cord (Fig. 2).

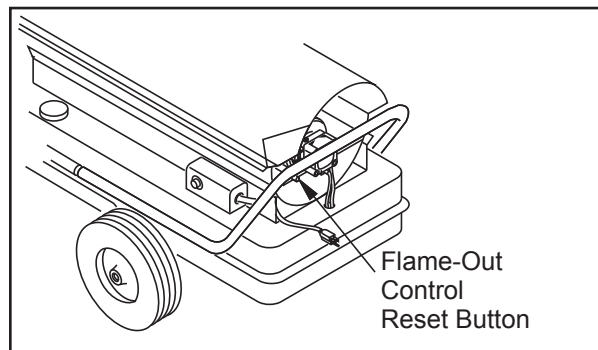
Note: *A cold heater may affect the thermostat setting. This thermostat is a general-heating control. It is not intended for precise temperature control. Adjust thermostat until heater cycles at the desired setting.*

Note: *If starting heater for first time, you may need to prime the pump. If equipped, slightly open bleeder valve of pump to allow air to escape. Quickly close valve once fuel is seen. Wipe up any excess fuel. If equipped with canister fuel filter, remove the canister bottom and fill with fuel. Reassemble filter. Wipe up any excess fuel. You may also have to do this after taking heater out of storage.*

Extension Cord Size Requirement

Length of Cord:	Rated Cord:
Up to 100 feet (30.48 m)	14 AWG
101 to 200 feet (30.78 to 60.96 m)	12 AWG
201 to 300 feet (61.26 to 91.44 m)	10 AWG
301 to 400 feet (91.74 to 121.92 m)	8 AWG
401 to 500 feet (122.22 to 152.40 m)	6 AWG

(Fig. 1)



(Fig. 2)

OPERATION (CONTINUED)

STOP SPACE HEATER:



CAUTION: NEVER UNPLUG HEATER WHILE HEATER IS RUNNING. HEATER MUST GO THROUGH PURGE CYCLE. THE PURGE CYCLE COOLS THE COMBUSTION CHAMBER. DAMAGE TO HEATER CAN OCCUR IF COMBUSTION CHAMBER IS NOT COOLED. DO NOT RESTART HEATER UNTIL PURGE CYCLE IS COMPLETE.

1. Turn thermostat dial to lowest temperature setting. This will cause heater flame to go out. The motor will continue to run during the purge cycle. This allows the fan to cool the combustion chamber. When the purge cycle is finished, the motor will stop. Do not unplug heater until purge cycle is finished.
2. Unplug extension cord from outlet.
3. To temporarily stop heater, set thermostat at a temperature lower than air around heater. Heater will cycle back on if air temperature around heater matches thermostat setting.

TO RESTART SPACE HEATER:



CAUTION: DO NOT RESTART HEATER UNTIL PURGE CYCLE IS FINISHED. THE PURGE CYCLE COOLS THE COMBUSTION CHAMBER.

1. Wait until purge cycle is finished after stopping heater.
2. Repeat steps under "Start Space Heater".

Troubleshooting



WARNING: HIGH VOLTAGE. NEVER SERVICE SPACE HEATER WHILE IT IS PLUGGED IN, OPERATING, OR HOT. SEVERE BURNS AND ELECTRICAL SHOCK CAN OCCUR.

Symptom	Problem	Solution
Motor does not start when heater is plugged in and thermostat setting is higher than surrounding air temperature.	No power or low voltage at heater due to:	
	a. Damaged power cord or extension cord.	a. Check condition of power cord or extension cord. Repair or replace if damaged.
	b. Wrong size extension cord.	b. Use extension cord with proper wire size (see Start Heater).
	c. Heater plugged into outlet with voltage lower than 120 volt.	c. Make sure heater is plugged into 120 volt/60 hertz outlet.
	Loose electrical connections.	Check connections. Tighten if loose.
	Motor overload protector tripped due to:	
	a. Dirty fan.	a. See "Maintenance: Fan Blades and Air Deflectors".
	b. Debris pulled into fan area by fan.	b. Remove debris from fan and fan guard area.
	c. Binding pump.	c. Turn fan by hand. If fan is hard to turn, see "Maintenance: Pump".
	d. Low voltage.	d. Follow the extension cord steps listed above (a & b). <i>Note: Be sure to reset motor overload protector by pressing reset button on top of motor.</i>
Flame-out control not reset.	Press and release flame-out control reset button.	
Damaged flame-out control.	Replace flame-out control.	
Damaged power relay.	Replace power relay.	
Damaged thermostat.	Replace thermostat.	
Binding pump.	Turn fan by hand. If fan is hard to turn, see "Maintenance: Pump".	



WARNING: HIGH VOLTAGE. NEVER SERVICE SPACE HEATER WHILE IT IS PLUGGED IN, OPERATING, OR HOT. SEVERE BURNS AND ELECTRICAL SHOCK CAN OCCUR.

Symptom	Problem	Solution
Heater will not ignite, but motor runs for a short period of time.	Fuel tank empty.	Add fuel to tank.
	Water in fuel.	Check fuel tank for bubbles of water in bottom. If found, remove fuel (see Storage). Clean tank and fuel filters (see Maintenance: Fuel Filters). Fill with clean fuel.
	Wrong fuel.	Remove wrong fuel (see Storage). Clean tank and fuel filters (see Maintenance: Fuel Filters). Fill with correct fuel.
	Dirt in nozzle.	Replace nozzle (see Maintenance: Nozzle).
	Very low temperature may cause fuel to thicken and not flow.	Move heater to warmer place until fuel flows freely.
	Dirty fuel filters.	Clean fuel filters (see Maintenance: Fuel Filters).
	Wrong pump pressure.	Adjust pump pressure (see Maintenance: Pump Pressure Adjustment).
	Spark plug wire disconnected from plug.	Connect spark plug wire to spark plug.
	Spark plug problems due to: a. Wrong gap. b. Plug wet with fuel. c. Carbon deposits on plug. d. Damaged plug.	a. Adjust electrode gap to 0.075" (see Maintenance: Spark Plug). b. Clean fuel from spark plug with clean, soft cloth. c. Replace plug if heavily coated with carbon (see Maintenance: Spark Plug). d. Inspect plug for worn or eroded electrodes. If found, replace plug (see Maintenance: Spark Plug).
	Solenoid valve not opening.	Check electrical connections and voltage to solenoid. If good, replace solenoid valve.
	WARNING: HIGH VOLTAGE!	
	Damaged electronic ignitor.	Replace electronic ignitor.



WARNING: HIGH VOLTAGE. NEVER SERVICE SPACE HEATER WHILE IT IS PLUGGED IN, OPERATING, OR HOT. SEVERE BURNS AND ELECTRICAL SHOCK CAN OCCUR.

Symptom	Problem	Solution
Heater ignites, but flame-out control shuts off heater after a short period of time.	Wrong pump pressure.	Adjust pump pressure (see Maintenance: Pump Pressure Adjustment).
	Dirty fuel filters.	Clean fuel filters (Maintenance: Fuel Filters).
	Dirt in nozzle.	Replace nozzle (see Maintenance: Nozzle).
	Dirty photocell lens.	Clean photocell lens with clean cotton swab.
	Open or damaged photocell.	Replace photocell.
	Bad flame-out control.	Replace flame-out control.
	Damaged fan switch.	Replace fan switch.
Heater burns, but puffs of smoke can be seen. Heater does not burn steady. Heater burns with odor. Heater smokes continuously.	Wrong pump pressure	Adjust pump pressure (see Maintenance: Pump Pressure Adjustment).
	Heater almost out of fuel	Add fuel to tank
	Water condensation in fuel tank	Check fuel tank for bubbles of water in bottom. If found, remove fuel (see Storage). Clean tank and fuel filters (see Maintenance: Fuel Filters). Fill with clean fuel
	Wrong fuel	Remove wrong fuel (see Storage). Clean tank and fuel filters (see Maintenance: Fuel Filters). Fill with correct fuel
	Dirty fuel filters	Clean fuel filters (see Maintenance: Fuel Filters).
	Air leak in suction system	Tighten all fuel line connections (see Maintenance: Fuel Lines).
	Dirty nozzle	Replace nozzle (see Maintenance: Nozzles).
	Low voltage causing motor to operate below rated speed	Check voltage at heater. Voltage at heater should be not less than 90% of rated voltage (108V minimum for 120V heaters)
	Loose fuel line	Check and tighten all fuel line connections (see Maintenance: Fuel Lines).

Service

MAINTENANCE

PREVENTATIVE MAINTENANCE SCHEDULE:



WARNING: HIGH VOLTAGE. NEVER SERVICE SPACE HEATER WHILE IT IS PLUGGED IN, OPERATING, OR HOT. SEVERE BURNS AND ELECTRICAL SHOCK CAN OCCUR.

Item	How Often	How to
Fuel tank	Flush every 150-200 hours of operation or as needed	See "Storage".
Filler Neck Screen	Check for particles in fuel when filling fuel tank. Clean when dirty	Lift out of fuel tank and rinse with clean kerosene
Fuel Filter Assembly (Fuel Tank)	Clean twice a heating season or replace as needed	See "Maintenance: Fuel Filters".
Fuel Filter Lines	Check and tighten loose connections occasionally	See "Maintenance: Fuel Filters".
Fuel Filter (In Pump or External Canister)	Clean fuel filter element every 250 hours	See "Maintenance: Fuel Filters".
Spark Plug	Clean and regap every 300 hours of operation or replace as needed	See "Maintenance: Spark Plug".
Fan Blades and Air Deflectors	Clean each season or as needed	See "Maintenance: Fan Blades and Air Deflectors".
Air Passages around Burner Head	Check each season for dirt and debris	Remove debris and trash with a clean, soft cloth
Motor	Not required, permanently lubricated	

MAINTENANCE:



WARNING: TO AVOID RISK OF BURN AND ELECTRICAL SHOCK, NEVER ATTEMPT TO SERVICE SPACE HEATER WHILE IT IS PLUGGED IN, OPERATING, OR HOT.

KEEP HEATER CLEAR AND FREE FROM COMBUSTIBLE MATERIALS, GASOLINE AND OTHER FLAMMABLE VAPORS AND LIQUIDS

DO NOT BLOCK THE FLOW OF COMBUSTION OR VENTILATION AIR.

1. Keep heater clean. Clean heater annually or as needed to remove dust and debris. If heater is dirty or dusty, clean heater with a damp cloth. Use household cleaners on difficult spots.
2. Inspect heater before each use.
3. Have heater inspected yearly by a qualified service agency.
4. Keep inside of heater free from combustible and foreign objects. Remove motor and other internal parts if needed to clean inside of heater.
5. Clean fan blades each season or as needed.

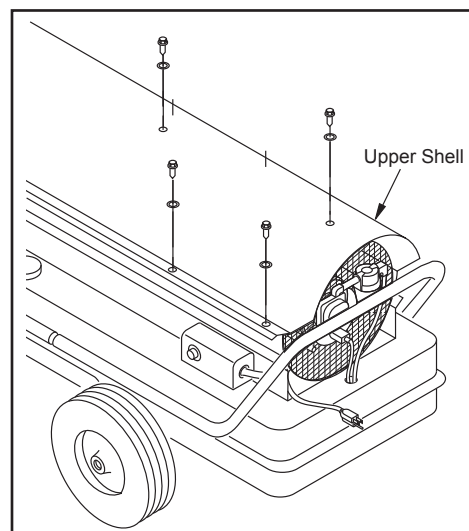
MAINTENANCE (CONTINUED):

⚠ WARNING: NEVER SERVICE HEATER WHILE IT IS PLUGGED IN, CONNECTED TO PROPANE SUPPLY, OPERATING OR HOT. SEVERE BURNS AND ELECTRICAL SHOCK CAN OCCUR.

ONLY A QUALIFIED SERVICE PERSON SHOULD SERVICE AND REPAIR HEATER.

UPPER SHELL REMOVAL:

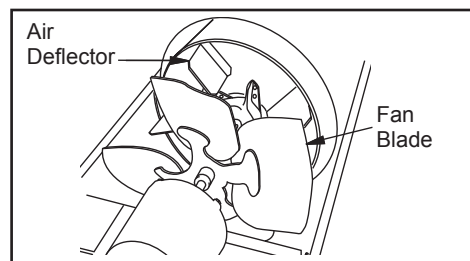
1. Remove screws along each side and top of heater using 5/16" nut-driver. These screws attach upper and lower shells together (Fig. 3).
2. Lift upper shell off.



(Fig. 3)

FAN BLADES AND AIR DEFLECTORS:

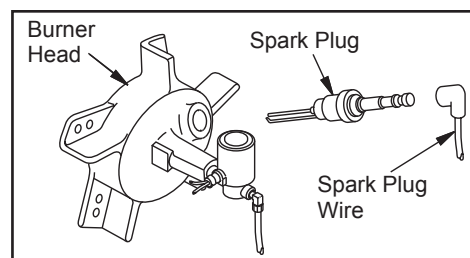
1. Remove upper shell. (see Maintenance: Upper Shell Removal).
2. Clean fan blades and air deflectors with clean, soft cloth moistened with kerosene or solvent (Fig. 4).
3. Dry fan blades and air deflectors thoroughly.
4. Replace upper shell.



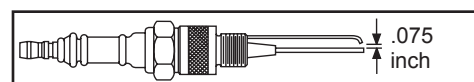
(Fig. 4)

SPARK PLUG:

1. Remove upper shell. (see Maintenance: Upper Shell Removal).
2. Remove spark plug wire from spark plug (Fig. 5).
3. Remove spark plug from burner head using 13/16" open-end wrench (Fig. 5).
4. Replace spark plug if damaged or heavily coated with carbon.
5. Clean and regap spark plug electrodes to .075 inch (Fig. 6).
6. Install spark plug in burner head.
7. Attach spark plug wire to spark plug.
8. Replace upper shell.



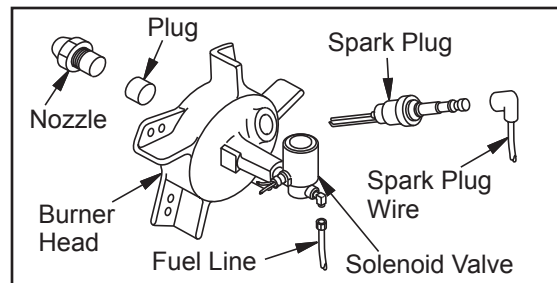
(Fig. 5)



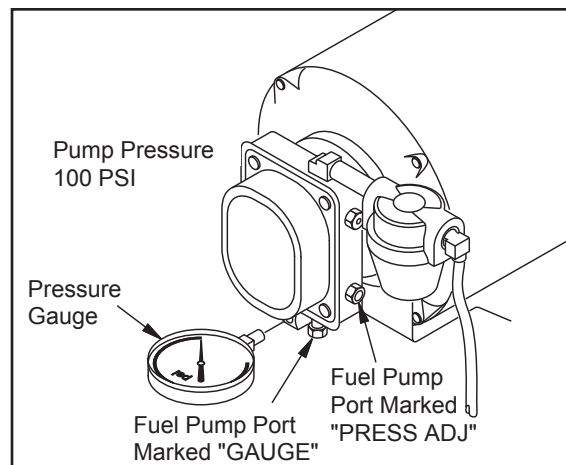
(Fig. 6)

NOZZLE:

1. Remove upper shell. (see Maintenance: Upper Shell Removal).
2. Remove fuel line from solenoid valve using 7/16" wrench.
3. Remove spark plug wire from spark plug.
4. Remove spark plug from burner head using 13/16" open-end wrench.
5. Remove five screws using 5/16" nut-driver and remove burner head from combustion chamber.
6. Place burner head into vise and lightly tighten.
7. Carefully remove nozzle from burner head using 5/8" socket wrench (Fig. 7).
8. Inspect nozzle for damage. If damaged or clogged, replace nozzle.
9. Make sure plug is in place on burner head.
10. Replace nozzle into burner head and tighten firmly (175-200 inch-pounds).
11. Attach burner head to combustion chamber.
12. Install spark plug in burner head.
13. Attach spark plug wire to spark plug.
14. Attach fuel line to solenoid valve. Tighten firmly.
15. Replace upper shell.



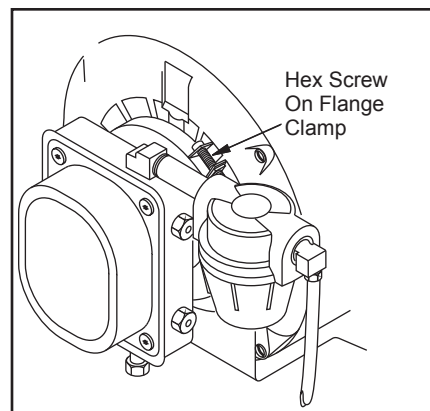
(Fig. 7)



(Fig. 8)

PUMP PRESSURE ADJUSTMENT:

1. Remove pressure gauge plug from fuel pump port marked "GAUGE."
2. Install pressure gauge to fuel pump port marked "GAUGE" (Fig. 8).
3. Start heater. Allow motor to reach full speed.
4. Adjust pressure. Use small flat blade screwdriver to turn slotted screw at fuel pump pressure adjusting port. Turn screw clockwise to increase pressure. Turn screw counterclockwise to decrease pressure. See specifications in Figure 8 for correct pressure for each model.
5. Stop heater.
6. Remove pressure gauge. Replace pressure gauge plug in fuel pump port marked "GAUGE."

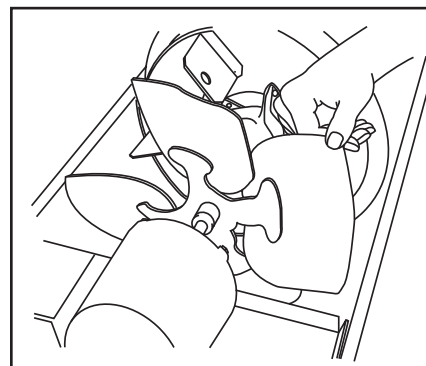


(Fig. 9)

PUMP:

(Procedure if Pump is Binding)

1. Remove upper shell (Maintenance: Upper Shell Removal).
2. Loosen hex screw on flange clamp at rear of motor with 5/16" nut-driver (Fig. 9).
3. Turn fan with hand (Fig. 10).
4. If fan turns freely, tighten screw on flange clamp.
5. If fan does not turn freely, replace pump.
6. Replace upper shell.

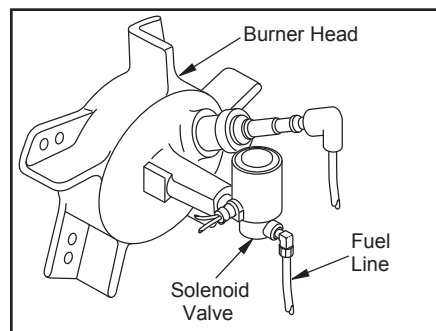


(Fig. 10)

FUEL LINES:

(Procedure for Tightening Fuel Lines)

1. Remove upper shell (see Maintenance: Upper Shell Removal).
2. Use an adjustable wrench as a backup on fittings.
3. Use 7/16" wrench and tighten fuel lines at solenoid valve, pump and fuel filter canister (if equipped) (Fig. 11 and 12).

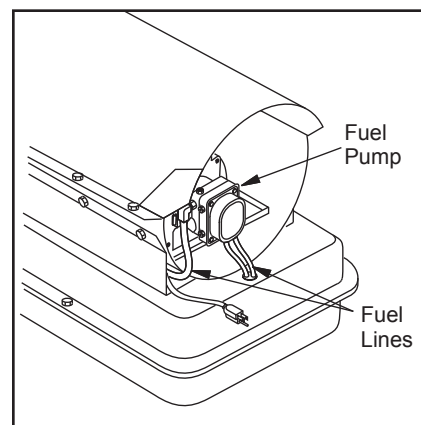


(Fig. 11)

FUEL FILTERS:

Tank Fuel Filter

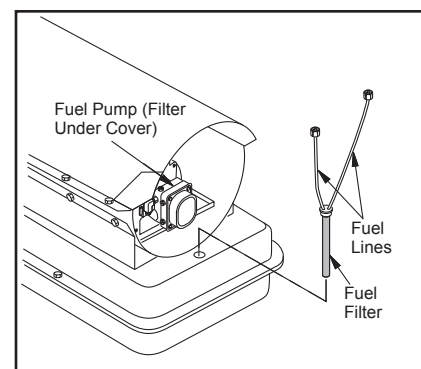
1. Disconnect fuel lines from pump and fuel filter canister (if equipped) with 7/16" wrench (Fig. 13 or 14).
2. Carefully pry fuel filter loose from fuel tank with flat end of screwdriver.
3. Inspect fuel filter for water or dirt.
4. Rinse fuel filter and fuel lines with clean kerosene.
5. Replace fuel filter into fuel tank.
6. Connect fuel lines to pump and fuel filter canister (if equipped).



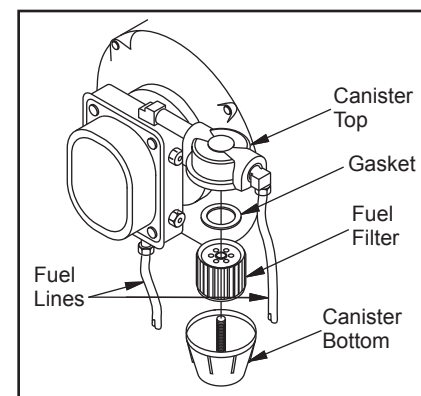
(Fig. 12)

Filter/Canister External To Pump

1. Unscrew canister bottom from canister top with adjustable pliers.
2. Remove fuel filter and gasket from canister bottom (Fig. 14).
3. Inspect canister bottom and fuel filter for water droplets or dirt.
4. Rinse canister bottom in clean kerosene.
5. Wipe inside of canister bottom dry with clean cloth.
6. Rinse fuel filter in clean kerosene.
7. Put clean fuel filter and gasket back in canister bottom.
8. Screw canister bottom into canister top.
9. Tighten securely. Check for leaks.



(Fig. 13)



(Fig. 14)

Storage

STORAGE

Note: *If shipping, transport companies require fuel tanks to be empty.*

1. Drain all fuel from fuel lines and pump/filter (see Maintenance: Fuel Filters).
2. Clean and flush fuel filter in fuel pump if equipped (see Maintenance: Fuel Filters).
3. Remove drain plug and drain fuel tank.
4. Replace drain plug.
5. If any debris is noted in old fuel, add 1 or 2 quarts of clean kerosene to tank, stir and drain again. This will prevent excess debris from clogging filters during future use.
6. Replace fuel cap or drain plug. Properly dispose of old and dirty fuel. Check with local automotive service stations that recycle oil.
7. Add two gallons of clean kerosene or #1 fuel oil to fuel tank.
8. Replace fuel cap.
9. Operate heater for 5 minutes (see Operation).
10. Stop heater and let cool completely.
11. Remove drain plug and drain fuel tank.
12. Replace drain plug.
13. Properly dispose of old and dirty fuel.
14. If storing, store heater in a dry location. Make sure storage place is free of dust and corrosive fumes.

IMPORTANT: Do not store kerosene over summer months for use during next heating season. Using old fuel could damage heater.

Specifications

ITEM	SPECIFICATION
Model Size	AC-350
Output Rating (BTU / Hr)	350,000
Fuel	Use only Kerosene or #1 Fuel Oil
Fuel Tank Capacity	30 Gallons / 113.5 Liters
Fuel Consumption: (Gal. Per Hr / Liters Per Hr)	2.25 / 8.51
Fuel Pump Pressure	100 PSI
Motor	1725 RPM
Electric Requirements	115V / 60Hz
Amperage (Normal Run)	7.1
Spark Plug Gap	0.075"
Space Heater Weight - Dry (Approximate Pounds / Kilograms)	180 / 81.6
Space Heater Weight - Full Tank (Approximate Pounds / Kilograms)	390 / 176.9

RECORD SERIAL NUMBER

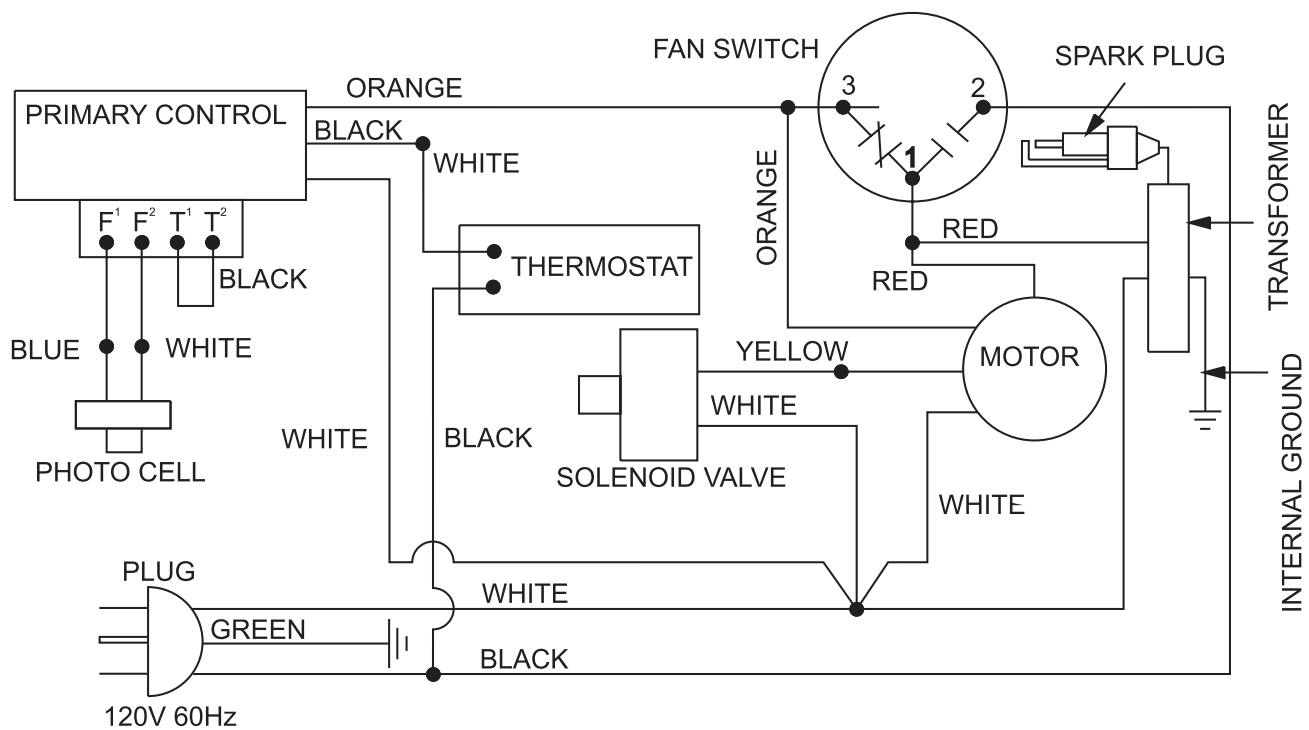
Write you model number, machine serial number and date of purchase in the spaces provided below. Your dealer needs this information when ordering parts.

Model No. _____

Machine Serial No. _____

Date of Purchase _____
(To be filled in by purchaser)

Wire Diagram



STATEMENT OF WARRANTY

John Deere warrants all parts, (except those referred to below), of your new space heater to be free from defects in materials and workmanship during the following periods:

For One (1) Year from the date of original purchase.

Defective parts not subject to normal wear and tear will be repaired or replaced at our option during the warranty period. In any event, reimbursement is limited to the purchase price paid.

EXCLUSIONS

1. This warranty does not cover parts damaged due to normal wear, misapplication, misuse, operation at other than recommended. Failure to follow recommended operating and maintenance procedures also voids warranty.
2. The use of other than genuine manufacturer repair parts will void warranty.
3. Warranty will be void if used in any application other than consumer / homeowner. Parts returned, prepaid to our factory or to an Authorized John Deere Service Center will be inspected and replaced free of charge if found to be defective and subject to warranty. There are no warranties which extend beyond the description of the face hereof. Under no circumstances shall the manufacturer bear any responsibility for loss of use of the unit, loss of time or rental, inconvenience, commercial loss or consequential damages.

For Service or Warranty Consideration, contact
Mi-T-M[®] Corporation, 8650 Enterprise Drive, Peosta, IA 52068
1-877-JD-KLEEN / (1-877-535-5336) Fax 563-556-1235
Monday - Friday 8:00 a.m. - 5:00 p.m. CST

Notes

Notes

Introduction

MERCI de la confiance témoignée par l'achat d'un produit John Deere.

LIRE CE MANUEL ATTENTIVEMENT AFIN de pouvoir utiliser et entretenir correctement votre appareil, sinon des dommages corporels ou matériels pourraient en résulter. Ce manuel et les symboles de sécurité sur votre appareil peuvent également être disponible en d'autres langues. (Voir votre concessionnaire John Deere pour les commander.)

CE MANUEL DOIT ÊTRE CONSIDÉRÉ comme faisant partie intégrante de votre appareil et doit l'accompagner en cas de revente.

LES MESURES dans ce manuel sont indiquées à la fois dans leurs équivalents métriques et en unités usuelles des USA. Utiliser seulement les pièces de rechange et les éléments de fixation corrects. Les éléments de fixation métriques et en pouces peuvent nécessiter des clés spécifiques à leurs système d'unités.

Le NUMÉRO DE SÉRIE de l'appareil se situe dans la section Caractéristiques ou Numéros d'Identification. Noter correctement tous les numéros afin de faciliter les recherches en cas de vol. Les communiquer également au concessionnaire lors de toute commande de pièces. Ranger les numéros d'identification dans un endroit sûr et séparé de l'appareil.

LA GARANTIE fait partie du programme de soutien John Deere destiné aux clients qui utilisent et entretiennent leur équipement tel qu'il est décrit dans ce manuel. Les conditions de garantie dont bénéficie cet appareil figurent sur le certificat de garantie dans ce manuel.

Cette garantie vous fournit l'assurance que votre concessionnaire fournira du support pour les produits où des défauts apparaîtraient au cours de la période de garantie. Toute utilisation abusive de l'équipement ou modification visant à dépasser les performances spécifiées par le constructeur annuleront la garantie.



AVERTISSEMENT GÉNÉRAL DE RISQUE :
LISEZ ATTENTIVEMENT ET ENTIÈREMENT CE MANUEL D'UTILISATION AVANT DE TENTER D'ASSEMBLER, DE FAIRE FONCTIONNER OU DE RÉPARER CE RADIATEUR. UNE MAUVAISE UTILISATION DE CET APPAREIL DE CHAUFFAGE PEUT CAUSER DE GRAVES BLESSURES, VOIRE LA MORT, SUITE À DES BRÛLURES, UN INCENDIE, UNE EXPLOSION, UNE DÉCHARGE ÉLECTRIQUE OU UN EMPOISONNEMENT AU MONOXYDE DE CARBONE.

LISEZ ET COMPRENEZ TOUS LES AVERTISSEMENTS. CONSERVEZ CE MANUEL POUR CONSULTATION FUTURE. IL VOUS PERMETTRA DE FAIRE FONCTIONNER CET APPAREIL DE CHAUFFAGE CORRECTEMENT ET EN TOUTE SÉCURITÉ.



AVERTISSEMENT: RISQUE D'INCENDIE, DE BRÛLURES, D'INHALATION ET D'EXPLOSION. MAINTENIR LES MATÉRIAUX COMBUSTIBLES SOLIDES, TELS QUE LES MATÉRIAUX DE CONSTRUCTION, LE PAPIER OU LE CARTON À UNE DISTANCE RESPECTUEUSE DE L'APPAREIL DE CHAUFFAGE TEL QU'IL EST RECOMMANDÉ DANS LES INSTRUCTIONS. NE JAMAIS SE SERVIR DE L'APPAREIL DE CHAUFFAGE DANS DES ENDROITS QUI CONTIENNENT OU QUI PEUVENT CONTENIR DES COMBUSTIBLES EN SUSPENSION OU DES PRODUITS TELS QUE L'ESSENCE, LES DISSOLVANTS, LES DILUANTS DE PEINTURE, LES PARTICULES DE POUSSIÈRE OU DES PRODUITS CHIMIQUES INCONNUS.



AVERTISSEMENT: NE PAS UTILISER DANS LES DOMICILES OU LES CAMPING-CARS.



AVERTISSEMENT

Cet appareil contient ou produit des produits chimiques déterminés par l'État de Californie comme cancérigènes et pouvant causer des malformations congénitales et d'autres problèmes liés à la reproduction.

Table des matières

	Page
Sécurité	32
Commandes	39
Préparation	40
Fonctionnement	42
Dépannage	44
Entretien	47
Entreposage	52
Caractéristiques	53
Schéma de câblage	54
Garantie	55
Note	56-57

Toutes les informations, illustrations et caractéristiques contenues dans la présente publication sont à jour au moment de la publication, le constructeur se réservant le droit d'apporter sans notification toute modification jugée appropriée.

Sécurité

RECONNAITRE LES SYMBOLES DE SÉCURITÉ

Voici le symbole d'alerte de sécurité. Lorsqu'il apparaît sur votre appareil ou dans ce manuel, rester conscient du risque potentiel de blessures.

Respecter tous les conseils de sécurité ainsi que les consignes générales de prévention des accidents.



COMPRENDRE LES MOTS D'ALERTE

Un mot d'alerte—DANGER, AVERTISSEMENT ou ATTENTION—est utilisé avec le symbole d'alerte de sécurité. Le terme DANGER identifie les dangers les plus graves.

Les signes de sécurité avec DANGER ou AVERTISSEMENT se trouvent près des dangers spécifiques. Les signes de sécurité avec ATTENTION se réfèrent à des précautions d'ordre général. Le terme ATTENTION demande aussi de prêter attention aux messages de sécurité dans ce manuel.



RESPECTER LES CONSEILS DE SÉCURITÉ

Lire attentivement tous les conseils de sécurité contenus dans ce manuel et ceux apposés sur l'appareil. Veiller à ce que les signes de sécurité soient lisibles. Remplacer ceux qui manqueraient ou seraient endommagés. S'assurer que les nouveaux composants ou pièces de rechange incluent les signes de sécurité courants. Des signes de rechange sont disponibles chez votre concessionnaire John Deere.

Lisez attentivement et entièrement ce manuel d'utilisation avant de tenter d'assembler, de faire fonctionner ou de réparer ce radiateur. Une mauvaise utilisation de cet appareil de chauffage peut causer de graves blessures, voire la mort, suite à des brûlures, un incendie, une explosion, une décharge électrique ou un empoisonnement au monoxyde de carbone.

Lisez et comprenez tous les avertissements. Conservez ce manuel pour consultation future. Il vous permettra de faire fonctionner cet appareil de chauffage correctement et en toute sécurité.

Si vous ne comprenez pas toute partie de ce manuel et avez besoin d'assistance, prenez contact avec votre concessionnaire John Deere.



OXYDE DE CARBONE – GAZ TOXIQUE

 **DANGER: L'EMPOISONNEMENT AU MONOXYDE DE CARBONE PEUT ÊTRE MORTEL!**

Le gaz d'échappement du carburant contient de l'oxyde de carbone – un gaz toxique qui peut vous tuer. Vous NE POUVEZ PAS sentir ou voir ce gaz.

Empoisonnement au monoxyde de carbone: Les premiers symptômes d'un empoisonnement au monoxyde de carbone ressemblent à la grippe avec des maux de tête, des vertiges ou de la nausée. Si vous avez ces symptômes, il se pourrait que l'appareil de chauffage ne fonctionne pas bien. Respirez tout de suite de l'air frais ! Faites réparer l'appareil de chauffage. Certaines personnes sont plus affectées par le monoxyde de carbone que d'autres. Celles-ci comprennent les femmes enceintes, les personnes souffrant de maladies cardiaques ou pulmonaires ou d'anémie, celles qui sont en état d'ébriété et celles qui vivent à haute altitude.

Ne jamais se servir d'un carburant dans des espaces fermés ou partiellement fermés sans ventilation appropriée. Ne l'utilisez que dans des endroits bien aérés. Avant d'utiliser l'appareil de chauffage, aménagez une ouverture d'air frais provenant de l'extérieur d'au moins 0,28 m² (3 pi²) pour chaque 30 kW (100 000 BTU/h) de puissance. Les l'appareil de chauffage peuvent produire de hauts niveaux d'oxyde de carbone très rapidement. Pendant l'utilisation d'un carburant, se rappeler que vous ne pouvez pas sentir ou voir l'oxyde de carbone. Même si vous ne sentez pas les gaz d'échappement, vous pouvez tout de même être exposé à l'oxyde de carbone.

Si vous commencez à vous sentir malade, étourdi, ou faible pendant l'utilisation d'un l'appareil de chauffage, sortez au grand air immédiatement. **NE PAS ATTENDRE.** L'oxyde de carbone provenant des l'appareil de chauffage peut rapidement être la cause d'une incapacité complète ou de mort.

En cas des symptômes sérieux, trouver de l'aide médicale immédiatement. Informer le personnel médical qu'une intoxication à l'oxyde de carbone est possible. Si vos symptômes sont apparus à l'intérieur, ne pas retourner dans le bâtiment avant que les sapeurs pompiers s'assurent que le bâtiment est sans danger.

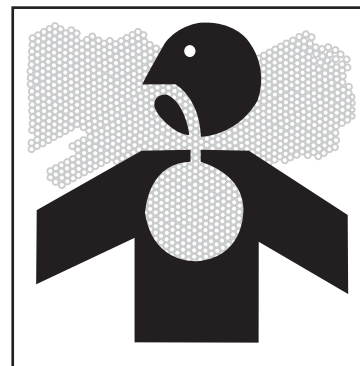
NE JAMAIS utiliser le l'appareil de chauffage dans une atmosphère explosible, près de matériaux combustibles ou dans un endroit où la ventilation n'est pas suffisante pour évacuer les gaz d'échappement. **Les gaz d'échappement peuvent être la cause de blessures graves ou de mort.**

NE JAMAIS se servir d'un l'appareil de chauffage à l'intérieur, que ce soit dans des maisons, garages, sous-sols, vides de comble ou vides sanitaire, et autres espaces fermés ou partiellement fermés, sans ventilation appropriée. Le fait d'ouvrir des fenêtres et des portes ou d'utiliser des ventilateurs n'empêchera pas l'accumulation d'oxyde de carbone dans la maison. Ne l'utilisez que dans des endroits bien aérés. Avant d'utiliser l'appareil de chauffage, aménagez une ouverture d'air frais provenant de l'extérieur d'au moins 0,28 m² (3 pi²) pour chaque 30 kW (100 000 BTU/h) de puissance.

Si vous commencez à vous sentir malade, étourdi, ou faible tout en en utilisant le réchauffeur de l'espace, a fermé si au loin et obtient l'air frais **TOUT DE SUITE.** Voir le docteur. Vous pouvez avoir l'empoisonnement d'oxyde de carbone.

Installer des alarmes d'oxyde de carbone à piles ou des alarmes d'oxyde de carbone avec batterie de secours qui se branche dans votre maison, selon les instructions d'installation du fabricant. Les alarmes d'oxyde de carbone doivent être conforme aux exigences des dernières normes de sécurité pour les alarmes d'oxyde de carbone. (UL 2034, IAS 6-96, ou CSA 6.19.01).

Tester votre alarme d'oxyde de carbone fréquemment et remplacer les piles à plat.



AVERTISSEMENT DE SÉCURITÉ LORS DU RAVITAILLEMENT EN CARBURANT

N'utiliser que du kérosène ou du mazout N° 1 afin d'éviter tout risque d'incendie ou d'explosion. N'utiliser jamais d'essence, de naphte, de diluant pour peinture, d'alcool ou d'autres combustibles extrêmement inflammables. Les personnes responsables de l'alimentation en carburant doivent être qualifiées et doivent parfaitement connaître les instructions du fabricant et les règlements en vigueur concernant le ravitaillement en carburant des appareils de chauffage.



Il ne faut utiliser que le genre de carburant indiqué sur la plaque signalétique de l'appareil de chauffage.

Avant de procéder au ravitaillement en carburant, il faut éteindre toute flamme, y compris la veilleuse, le cas échéant, et permettre à l'appareil de chauffage de refroidir.

Lors du ravitaillement, il faut inspecter toutes les canalisations de carburant et leurs raccords pour vérifier s'il y a des fuites. Toute fuite doit être réparée avant de remettre en marche l'appareil de chauffage.

Il ne faut jamais entreposer à l'intérieur d'un bâtiment une quantité de carburant supérieure à celle nécessaire pour une journée à proximité de l'appareil de chauffage. Les réserves de carburant doivent demeurer à l'extérieur du bâtiment.

Tout stockage de carburant doit être situé à plus de 25 pieds (7,62 m) des appareils de chauffage, des chalumeaux, des appareils de soudage et autres sources d'allumages similaires (exception: le réservoir de carburant incorporé de l'appareil de chauffage).

Dans la mesure du possible, le stockage de carburant doit se limiter aux endroits où le plancher ne permet pas des infiltrations de carburant qui pourrait goutter sur ou être enflammées par un feu à un niveau inférieur.

Le stockage de carburant doit se conformer aux règlements en vigueur.

Respecter tous les règlements de sécurité concernant la manipulation sans danger de carburant. Manier le carburant dans des récipients de sécurité. Si le récipient n'a pas de bec, se servir d'un entonnoir.

AVERTISSEMENT DE SÉCURITÉ LORS DU RAVITAILLEMENT EN CARBURANT

Ne pas trop remplir le réservoir de carburant, laisser de la place pour que le carburant se dilate.

Ne pas remplir le réservoir de carburant lorsque l'appareil tourne. Arrêter l'appareil de chauffage et laisser le refroidir avant de le ravitailler en carburant.

Ne remplir le réservoir que sur une surface nue. Lors du ravitaillement en carburant, écarter le réservoir de toute source de chaleur, d'étincelles ou de flammes nues. Nettoyer soigneusement toute essence renversée avant de démarrer le moteur.

Toujours remplir le réservoir de carburant dans un endroit avec une bonne ventilation pour éviter d'inhaler des vapeurs dangereuses.

N'entreposer JAMAIS le carburant de votre appareil de chauffage dans votre domicile. L'essence, le propane, le kérosène, et autres liquides inflammables doivent être entreposés en dehors des espaces habités dans des récipients de sécurité (pas en verre) clairement étiquetés. Ne pas les entreposer près d'un appareil alimenté en combustible, tel qu'un chauffe-eau au gaz naturel dans un garage. Si du carburant est renversé ou si le récipient n'est pas fermé correctement, des vapeurs invisibles provenant du carburant peuvent voyager le long du sol et peuvent être enflammées par la veilleuse de l'appareil ou par des arcs des interrupteurs électriques dans l'appareil.



RISQUES ÉLECTRIQUES



DANGER- UN BRANCHEMENT INCORRECT DU CONDUCTEUR DE MISE À LA TERRE DE L'ÉQUIPEMENT PEUT ENTRAÎNER DES RISQUES D'ÉLECTROCUTION. VÉRIFIER AVEC UN DÉPANNEUR OU UN ÉLECTRICIEN QUALIFIÉ EN CAS DE DOUTES CONCERNANT LA MISE À LA TERRE.

N'utiliser que la tension et la fréquence électrique indiquées sur la plaque signalétique.

L'appareil de chauffage doit être mis à la terre. N'utiliser qu'une rallonge électrique trifilaire avec mise à la terre. Ne le brancher que dans une prise avec mise à la terre. En cas de mauvais fonctionnement ou de panne, la mise à la terre fournit un chemin de moindre résistance au courant électrique, réduisant ainsi les risques de choc électrique.

L'appareil de chauffage est une source potentielle de choc électrique s'il n'est pas gardé au sec. Maintenir l'appareil de chauffage au sec et ne pas l'utiliser par temps de pluie ou dans des conditions humides. Pour protéger l'appareil de chauffage contre l'humidité, s'en servir sur une surface sèche et sous une structure ouverte tel qu'un auvent. Ne jamais toucher l'appareil de chauffage avec les mains mouillées.

Vérifier que toute la rallonge est en bon état, sans entailles ou déchirures et que la fiche a bien trois broches, et surtout une lame de terre.



CONSEILS DE SÉCURITÉ IMPORTANTS

Assurez-vous vous lire et comprendre tous les avertissements. Gardez ce manuel pour la référence. C'est votre guide de fonctionnement sûr et approprié de ce réchauffeur.

1. N'utilisez que dans des endroits libres de vapeur inflammable et de poussière.
2. Distance minimale de tout matériau combustible : 2,44 m (8 pi) de toute sortie d'air brûlant, 1,83 m (6 pi) du dessus et 1,22 m (4 pi) des côtés et de l'admission d'air.
3. Placez l'appareil de chauffage sur une surface stable et de niveau lorsqu'il est chaud ou lorsqu'il est en marche, pour éviter tout risque d'incendie.
4. Ne l'utilisez que dans des endroits bien aérés. Avant d'utiliser l'appareil de chauffage, aménagez une ouverture d'air frais provenant de l'extérieur d'au moins 0,28 m² (3 pi²) pour chaque 30 kW (100 000 BTU/h) de puissance.
5. Gardez les enfants et les animaux éloignés de l'appareil de chauffage en tout temps.
6. Ne se servir de l'appareil de chauffage que conformément aux ordonnances et codes locaux.
7. S'assurer que la zone où se trouve l'appareil de chauffage est libre de toute substance combustible, d'essence, de diluant de peinture et d'autres liquides et vapeurs inflammables.
8. Ne jamais se servir de l'appareil de chauffage dans les espaces d'habitation.
9. Ne jamais laisser un appareil de chauffage branché sans la surveillance d'un adulte s'il est possible que des enfants ou animaux soient présents. Ne pas laisser l'appareil de chauffage sans surveillance.
10. Ne jamais déplacer, manipuler ou réparer un appareil de chauffage chaud ou en marche. Des blessures graves pourraient en résulter. Il faut attendre 15 minutes après l'arrêt de l'appareil.
11. N'installer jamais de système de conduits d'air à l'avant ou à l'arrière de l'appareil de chauffage.
12. Les appareils de chauffage à proximité de bâches, de toiles et d'autres matériaux semblables doivent être maintenus à une bonne distance de ces derniers. La distance minimale de sécurité recommandée est de 3,05 m (10 pi). De plus, il est conseillé d'utiliser des bâches de protection ignifuges. Ces matériaux doivent être solidement attachés pour les empêcher de s'enflammer ou de nuire à l'appareil de chauffage sous l'action du vent.
13. Débranchez l'appareil lorsqu'il n'est pas utilisé.
14. Ne bloquez jamais la prise d'air (à l'arrière) ou la sortie d'air (en avant) de l'appareil de chauffage.
15. Cet appareil a été approuvé pour être utilisé dans l'état du Massachusetts.
16. Ne se servir que du tuyau et du détendeur programmés en usine fournis avec cet appareil de chauffage.



CONSEILS DE SÉCURITÉ IMPORTANTS

17. Employez seulement avec la tension et la fréquence électriques indiquées sur le plat modèle.
18. S'utilise uniquement à l'intérieur. Ne pas se servir de l'appareil de chauffage à l'extérieur.
19. Lorsque l'appareil de chauffage est déplacé ou entreposé, il doit demeurer de niveau avec le sol afin d'éviter des fuites en carburant.
20. S'assurer que l'appareil de chauffage n'est pas endommagé avant chaque utilisation. Ne pas se servir d'un appareil endommagé.
21. Vérifier l'état du tuyau avant chaque utilisation de l'appareil de chauffage. Si le tuyau est très usé ou entaillé, le remplacer avec un tuyau spécifié par le fabricant avant d'utiliser l'appareil de chauffage.
22. Maintenir l'appareil de chauffage à l'écart de forts courants d'air, du vent, des gicllements d'eau, de la pluie ou d'eau qui goutte.
23. Pour éviter les blessures, porter des gants lors du maniement de l'appareil de chauffage.
24. Ne pas modifier l'appareil de chauffage. Maintenir l'appareil de chauffage dans son état original.
25. Ne pas se servir de l'appareil de chauffage s'il a été altéré.
26. Ne se servir que de pièces de rechange d'origine. Cet appareil ne doit utiliser que des pièces à caractéristiques spécifiques. Ne pas substituer ou utiliser des pièces de rechange génériques. Des pièces de rechange incorrectes peuvent être la cause de blessures graves ou mortelles.
27. Cet appareil de chauffage est équipé d'un thermostat. L'appareil de chauffage branché peut démarrer à tout moment!
28. Ne jamais faire démarrer l'appareil de chauffage lorsque la chambre de combustion est chaude ou si du carburant s'est accumulé dans la chambre de combustion.
29. Il ne faut jamais déplacer, manipuler, remplir ou réparer un appareil de chauffage chaud, en marche ou branché.



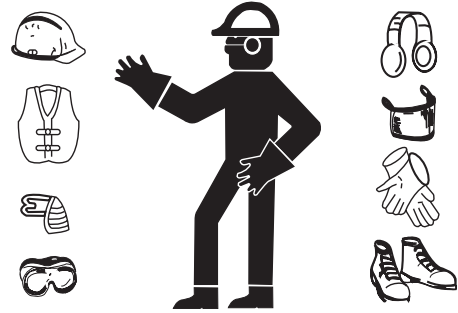
CONSERVER CES INSTRUCTIONS

PORTER DES VÊTEMENTS DE PROTECTION

Porter des vêtements ajustés et un équipement de sécurité adapté au travail.

Porter un dispositif protecteur d'audition approprié tel que des couvre-oreilles ou des bouche-oreilles pour se protéger contre des bruits forts répréhensibles ou inconfortables.

La pleine attention de l'opérateur est requise afin d'utiliser l'équipement en toute sécurité. Ne pas porter des écouteurs de radio ou de musique tout en actionnant la machine.

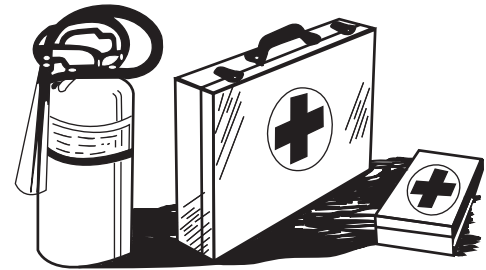


PRÉPARATION POUR LES URGENCES

Garder une trousse des premiers secours et un extincteur à portée de la main.

Garder les numéros d'urgence des docteurs, du service d'ambulance, de l'hôpital et des pompiers en cas d'urgence près du téléphone.

Etre prêt si un incendie débute.



INSPECTER L'APPAREIL DE CHAUFFAGE

S'assurer que tous les couvercles, gardes et plaques de protection sont serrés et bien en place.

Repérer toutes les commandes et les étiquettes de sécurité.

Oter tous les éléments d'emballage appliqués sur l'appareil de chauffage pour son transport. Enlever tous les articles du carton. Vérifier que les articles n'ont pas été endommagés pendant le transport. Si l'appareil de chauffage est endommagé, il faut rapidement informer le concessionnaire où vous avez acheté l'appareil de chauffage.

FAIRE L'ENTRETIEN DE L'APPAREIL DE CHAUFFAGE EN TOUTE SÉCURITÉ

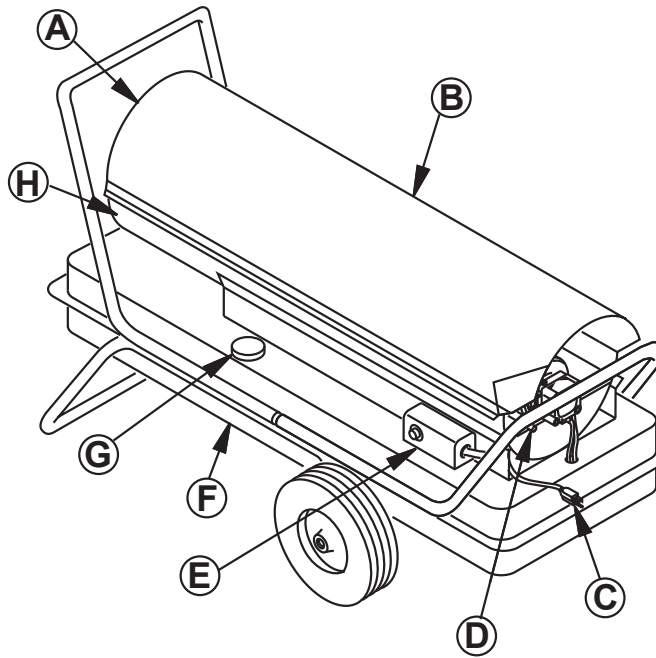
Avant d'entretenir l'appareil de chauffage, mettre l'appareil à l'arrêt et permettre à l'appareil de refroidir. Faire l'entretien de l'appareil de chauffage dans un endroit propre, sec et plat.

Faire l'entretien du de l'appareil de chauffage dans un endroit propre, sec et plat.

Commandes

COMMANDES

AC-350



A -- Sortie d'air chaud (à l'avant)
B -- Partie supérieure de la coque
C -- Cordon d'alimentation

D -- Bouton de réenclenchement de
contrôle d'extinction de flammes
E -- Thermostat
F -- Réservoir de carburant

G -- Bouchon du réservoir de
carburant
H -- Partie inférieure de la
coque

Préparation

VENTILATION

AVERTISSEMENT: RESPECTER LES NORMES MINIMALES DE VENTILATION DES LOCAUX. SI UNE VENTILATION ADÉQUATE PAR RAPPORT D'AIR FRAIS EXTÉRIEUR N'EST PAS ASSURÉE, UNE INTOXICATION À L'OXYDE DE CARBONE EST POSSIBLE. CET APPOINT D'AIR FRAIS DOIT AUSSI ÊTRE ASSURÉ AVANT MÊME LE DÉMARRAGE DE L'APPAREIL DE CHAUFFAGE.

Besoin en ouvertures d'aération:

Taille de l'appareil de chauffage	Ouverture en pied carré
350,000 Btu/Hr	10.5

Note: Prévoir une ouverture d'air frais d'au moins 0,28 m² (3 pieds²) pour chaque 100,000 Btu/H de puissance. Fournir davantage d'air frais si plus d'un appareil de chauffage est utilisé.

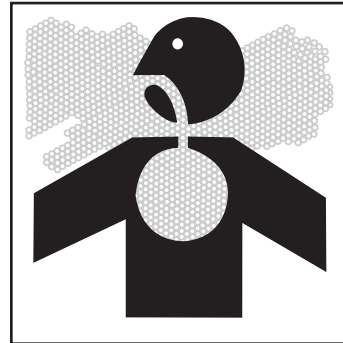
CARBURANTS

AVERTISSEMENT: N'UTILISER QUE DU KÉROSÈNE OU DU MAZOUT N° 1 AFIN D'ÉVITER TOUT RISQUE D'INCENDIE OU D'EXPLOSION. N'UTILISER JAMAIS D'ESSENCE, DE NAPHTÉ, DE DILUANTS POUR PEINTURE, D'ALCOOL OU D'AUTRES CARBURANTS HAUTEMENT INFLAMMABLES.

Ne pas utiliser de combustibles lourds tels que le mazout N° 2 ou le carburant diesel N° 2. L'emploi de combustibles lourds aura pour résultat:

- Filtre à carburant et buse bouchés
- Accumulation de carbone sur la bougie
- Le besoin d'utiliser des additifs antigivrants non toxiques dans le carburant par temps très froid.

IMPORTANT: Utiliser un réservoir à usage exclusif pour Kérosène. S'assurer que le réservoir est propre. La présence de matières étrangères telles que la rouille, les saletés ou l'eau provoquera l'arrêt de l'appareil de chauffage par le contrôle d'extinction de la flamme. La présence de matières étrangères exigera peut être aussi que le système d'alimentation en carburant soit nettoyé plus souvent.



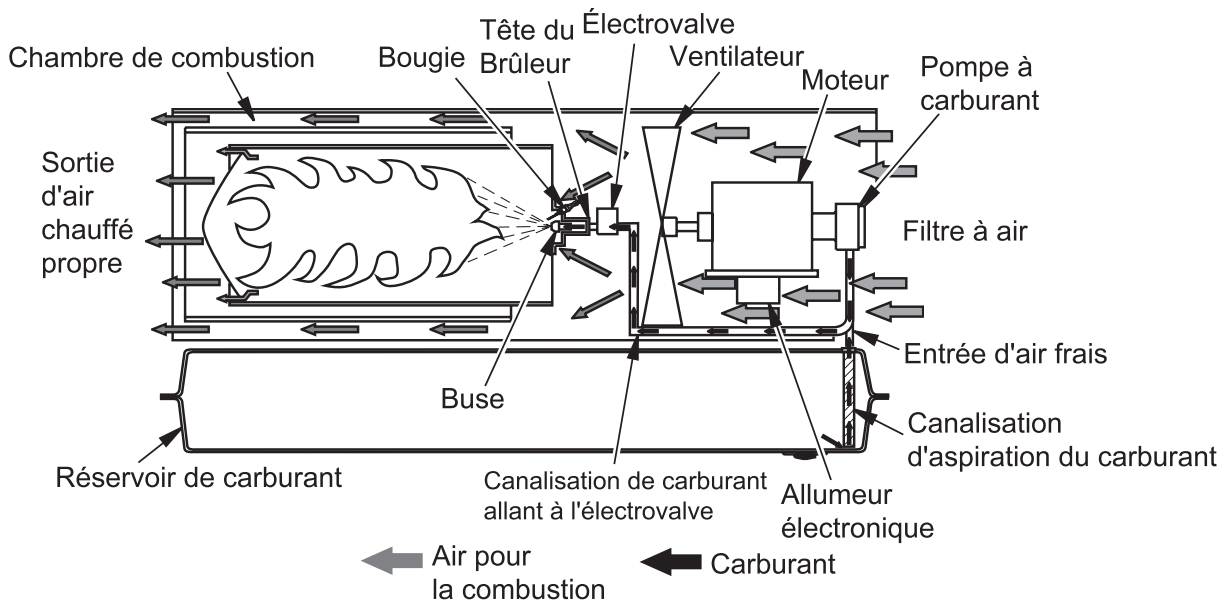
THÉORIE DE FONCTIONNEMENT

Système d'alimentation en carburant: Le moteur fait tourner la pompe à carburant. La pompe à carburant aspire le carburant du réservoir de carburant. La pompe à carburant pousse le carburant à travers un filtre et une électrovalve et le fait sortir par la buse de la tête du brûleur. Une fine brume de carburant est vaporisée dans la chambre de combustion.

Le Système d'admission d'air: Le moteur fait tourner le ventilateur. Le ventilateur pousse l'air à l'intérieur et autour de la chambre de combustion. Cet air est chauffé et fournit un courant d'air propre et chaud.

Le Système d'allumage: L'allumeur électronique envoie de la tension à la bougie. La bougie enflamme le mélange de carburant et d'air.

Le Système de contrôle d'extinction de la flamme: Ce système provoque l'arrêt de l'appareil de chauffage en cas d'extinction de la flamme. Il permet aussi au ventilateur de continuer à fonctionner après l'arrêt normal de l'appareil de chauffage. Ceci refroidit la chambre de combustion.



Fonctionnement

FONCTIONNEMENT

IMPORTANT : Revoir et comprendre les avertissements de la partie Information de Sécurité. Ils sont requis pour faire fonctionner cet appareil de chauffage sans danger. Se conformer à tous les règlements et codes locaux lors de l'utilisation de cet appareil de chauffage.

AVERTISSEMENT: RESPECTER LES NORMES MINIMALES DE VENTILATION DES LOCAUX. SI UNE VENTILATION ADEQUATE PAR APPORT D'AIR FRAIS EXTÉRIEUR N'EST PAS ASSURÉE, UNE INTOXICATION À L'OXYDE DE CARBONE EST POSSIBLE. CET APPORT D'AIR FRAIS DOIT AUSSI ÊTRE ASSURÉ AVANT MÊME LE DÉMARRAGE DE L'APPAREIL DE CHAUFFAGE.

POUR DÉMARRER L'APPAREIL DE CHAUFFAGE:

1. Respecter toutes les consignes de ventilation et de sécurité.
2. Placer l'appareil de chauffage de façon à fournir une circulation maximale d'air chaud. Respecter toutes les exigences d'emplacement précisées à la rubrique Informations relatives à la sécurité de ce manuel.
3. Remplir le réservoir de carburant avec du kérosène ou du mazout N°1.
4. Replacer le bouchon du réservoir de carburant.
5. Mettre le thermostat à la température désirée.

Note : Le thermostat doit être réglé pour produire une température plus élevée que la température ambiante.

6. Brancher le cordon d'alimentation de l'appareil de chauffage dans une rallonge électrique trifilaire avec mise à la terre. La rallonge électrique doit mesurer au moins 1,80 m (6 pieds).

AVERTISSEMENT: N'UTILISER QU'UNE RALLONGE ÉLECTRIQUE TRIFILAIRE. UTILISER UNE RALLONGE D'UNE SECTION SUFFISANTE POUR GARANTIR UN BON FONCTIONNEMENT EN 120 VOLT. (FIG. 1)

7. Brancher la rallonge électrique dans une prise de courant standard à trois branches de 120 volts/60 hertz avec mise à la terre.
8. Le moteur démarre lorsque la rallonge électrique est branchée dans une prise. L'appareil de chauffage devrait se mettre en route immédiatement. Si l'appareil de chauffage ne s'allume pas, le redémarrer. Pour redémarrer l'appareil de chauffage, attendre 60 secondes, puis pousser le bouton de réenclenchement de contrôle d'extinction de la flamme. Le bouton de réenclenchement de contrôle d'extinction de la flamme se trouve à l'arrière de l'appareil de chauffage près du cordon d'alimentation (Fig. 2).

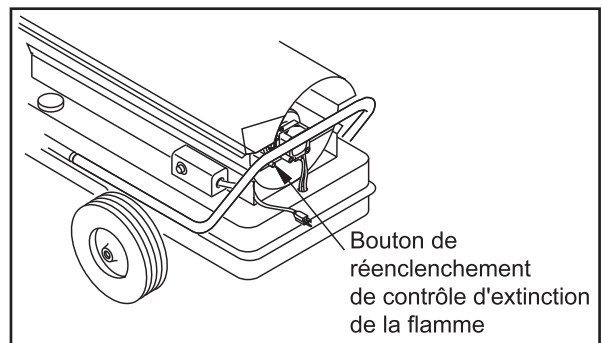
Note : Un appareil de chauffage froid peut modifier le réglage du thermostat. Ce thermostat commande le niveau de chauffage. Il n'est pas conçu pour un contrôle précis de la température. Essayer plusieurs réglages jusqu'à ce que la température évolue dans la zone de température désirée.

Note : Il faudra peut être amorcer la pompe si l'appareil de chauffage démarre pour la première fois. S'il en est équipé, ouvrir légèrement le robinet de purge de la pompe pour permettre à l'air de s'échapper. Fermer le robinet de purge rapidement une fois que du carburant apparaît. Essuyer l'excédent de carburant. Si l'appareil de chauffage est équipé d'un boîtier avec filtre à carburant, retirer le fond du boîtier et le remplir de carburant. Remonter le filtre. Essuyer l'excédent de carburant. Il faudra peut être répéter ces étapes après une période d'entreposage.

Exigences des dimensions de rallonge électrique

Longueur rallonge:	Calibre AWG de la rallonge:
Jusqu'à 100 feet (30.48 m)	14 AWG
101 à 200 feet (30.78 à 60.96 m)	12 AWG
201 à 300 feet (61.26 à 91.44 m)	10 AWG
301 à 400 feet (91.74 à 121.92 m)	8 AWG
401 à 500 feet (122.22 à 152.40 m)	6 AWG

(Fig. 1)



(Fig. 2)

FONCTIONNEMENT (SUITE)

POUR ARRÊTER L'APPAREIL DE CHAUFFAGE:



ATTENTION : NE JAMAIS DÉBRANCHER L'APPAREIL DE CHAUFFAGE PENDANT QU'IL FONCTIONNE. L'APPAREIL DE CHAUFFAGE DOIT PASSER PAR UN CYCLE DE PURGE. LE CYCLE DE PURGE REFROIDIT LA CHAMBRE DE COMBUSTION. L'APPAREIL DE CHAUFFAGE PEUT ÊTRE ENDOMMAGÉ SI LA CHAMBRE DE COMBUSTION NE REFROIDIT PAS. NE PAS REDÉMARRER L'APPAREIL DE CHAUFFAGE AVANT QUE LE CYCLE DE PURGE SOIT TERMINÉ.

1. Tourner le bouton du thermostat jusqu'au réglage de température le plus bas. La flamme de l'appareil de chauffage s'éteindra alors. Le moteur continuera de tourner pendant le cycle de purge. Ceci permet au ventilateur de refroidir la chambre de combustion. Lorsque le cycle de purge sera terminé, le moteur s'arrêtera. Ne débrancher pas l'appareil de chauffage avant que le cycle de purge soit terminé.
2. Débrancher la rallonge électrique de la prise.
3. Pour arrêter l'appareil de chauffage temporairement, régler le thermostat à une température plus basse que la température ambiante autour du chauffage. L'appareil de chauffage se remettra en route si la température ambiante correspond au réglage du thermostat.

POUR REDÉMARRER L'APPAREIL DE CHAUFFAGE:



ATTENTION : NE PAS REDÉMARRER L'APPAREIL DE CHAUFFAGE AVANT QUE LE CYCLE DE PURGE SOIT TERMINÉ. LE CYCLE DE PURGE REFROIDIT LA CHAMBRE DE COMBUSTION.

1. Attendre que le cycle de purge soit terminé avant d'arrêter l'appareil de chauffage.
2. Répéter les étapes sous "Pour démarrer l'appareil de chauffage."

Dépannage



AVERTISSEMENT : HAUTE TENSION. NE JAMAIS FAIRE L'ENTRETIEN DE L'APPAREIL DE CHAUFFAGE PENDANT QU'IL EST BRANCHÉ, EN MARCHÉ OU CHAUD. DES BRÛLURES GRAVES ET DES DÉCHARGES ÉLECTRIQUES POURRAIENT EN RÉSULTER.

Symptôme	Problème	Solution
Le moteur ne démarre pas lorsque l'appareil de chauffage est branché et lorsque le réglage du thermostat est plus élevé que la température ambiante.	Pas de courant ou tension basse se rendant à l'appareil de chauffage en raison de :	a. Vérifier l'état du cordon d'alimentation ou de la rallonge électrique. Réparer ou remplacer en cas de dommages. b. Utiliser une rallonge électrique de bon calibre (voir "Pour démarrer l'appareil de chauffage.") c. S'assurer que l'appareil de chauffage est branché dans une prise de 120 volts/60 hertz.
	a. Cordon d'alimentation endommagé ou rallonge électrique endommagée.	
	b. Rallonge électrique de la mauvaise taille.	
	c. L'appareil de chauffage est branché dans une prise dont la tension est plus basse que 120 volts.	
	Connexions électriques desserrées.	Examiner les connexions. Les resserrer au besoin.
	Protection de surcharge du moteur s'est déclenchée en raison de:	
	a. Ventilateur sale.	a. Voir "Entretien : Pales du ventilateur et déflecteurs d'air."
b. Des débris ont été déposés dans le ventilateur par le ventilateur.	b. Retirer les débris du ventilateur et de la surface de la grille de protection du ventilateur.	
c. Grippage de la pompe.	c. Tourner le ventilateur à la main. Si le ventilateur est difficile à tourner, voir "Entretien: Pompe."	
d. Tension basse.	d. Suivre les étapes de rallonge électrique qui figurent ci-dessus (a et b).	
	Note : <i>N'oublier pas de réenclencher la protection de surcharge du moteur en appuyant sur le bouton de réenclenchement sur le dessus du moteur.</i>	
Le contrôle d'extinction de la flamme n'est pas réenclenché.	Appuyer sur et relâcher le bouton de réenclenchement de contrôle d'extinction de la flamme	
Le contrôle d'extinction de la flamme est endommagé.	Remplacer le bouton de réenclenchement de contrôle d'extinction de la flamme	
Le relais de puissance est endommagé.	Remplacer le relais de puissance.	
Le thermostat est endommagé.	Remplacer le thermostat.	
Grippage de la pompe.	Tourner le ventilateur à la main. Si le ventilateur est difficile à tourner, voir "Entretien: Pompe."	



AVERTISSEMENT : HAUTE TENSION. NE JAMAIS FAIRE L'ENTRETIEN DE L'APPAREIL DE CHAUFFAGE PENDANT QU'IL EST BRANCHÉ, EN MARCHÉ OU CHAUD. DES BRÛLURES GRAVES ET DES DÉCHARGES ÉLECTRIQUES POURRAIENT EN RÉSULTER.

Symptôme	Problème	Solution
L'appareil de chauffage ne s'allume pas mais le moteur tourne pendant une courte durée de temps.	Le réservoir de carburant est vide.	Ajouter du carburant au réservoir.
	Il y a de l'eau dans le carburant.	Examiner le réservoir de carburant et voir s'il y a des bulles au fond. S'il y a des bulles, enlever le carburant (voir Entreposage). Nettoyer le réservoir et les filtres à carburant (voir Entretien: Filtres à carburant). Remplir avec du carburant propre.
	Mauvais carburant.	Vider le mauvais carburant (voir Entreposage). Nettoyer le réservoir et les filtres à carburant (voir Entretien: Filtres à carburant). Remplir avec le bon carburant.
	Saletés dans la buse.	Remplacer la buse (voir Entretien: Buse).
	En cas de très basse température, le carburant peut s'épaissir au point de ne plus circuler.	Mettre l'appareil de chauffage dans un endroit plus chaud jusqu'à ce que le carburant coule librement.
	Filtres à carburant sales.	Nettoyer les filtres à carburant (voir Entretien: Filtres à carburant).
	Mauvaise pression à la pompe.	Régler la pression de la pompe (voir Entretien: Réglage de pression de la pompe.)
	Le fil de la bougie est débranché de la bougie.	Raccorder le fil de la bougie à la bougie.
	Problèmes avec la bougie dus à: a. Mauvais écartement. b. Bougie noyée de carburant. c. Dépôts de carbone sur la bougie. d. Bougie abîmée.	a. Régler l'écartement des électrodes à 0.075" (1.90 mm) (voir Entretien : Bougie). b. Essuyer le carburant se trouvant sur la bougie avec un chiffon doux et propre. c. Remplacer la bougie si elle est fortement couverte de carbone (voir Entretien : Bougie). d. Examiner la bougie et voir si les électrodes sont usés ou érodés. Si c'est le cas, remplacer la bougie (voir Entretien : Bougie).
	L'électrovalve ne s'ouvre pas.	Examiner les connexions électriques et la tension allant à l'électrovalve. Si tout est en ordre, remplacer l'électrovalve.



AVERTISSEMENT : HAUTE TENSION!

Allumeur électronique endommagé.	Remplacer l'allumeur électronique.
----------------------------------	------------------------------------



AVERTISSEMENT : HAUTE TENSION. NE JAMAIS FAIRE L'ENTRETIEN DE L'APPAREIL DE CHAUFFAGE PENDANT QU'IL EST BRANCHÉ, EN MARCHÉ OU CHAUD. DES BRÛLURES GRAVES ET DES DÉCHARGES ÉLECTRIQUES POURRAIENT EN RÉSULTER.

Symptôme	Problème	Solution
L'appareil de chauffage s'allume mais la commande d'extinction de la flamme l'éteint peu de temps après.	Mauvaise pression à la pompe.	Régler la pression de la pompe (voir Entretien: Réglage de pression de la pompe).
	Filtres à carburant sales.	Nettoyer les filtres à carburant (voir Entretien: Filtres à carburant).
	Saletés dans la buse.	Remplacer la buse (voir Entretien: Buse).
	Lentille de cellule photoélectrique sale.	Nettoyer la lentille de cellule photoélectrique avec un tampon en coton propre.
	Cellule photoélectrique ouverte ou endommagée.	Remplacer la cellule photoélectrique.
	La commande d'extinction de la flamme est défectueuse.	Remplacer la commande d'extinction de la flamme.
	Interrupteur du ventilateur endommagé.	Remplacer l'interrupteur du ventilateur.
L'appareil de chauffage est allumé mais il émet des bouffées de fumée. L'appareil de chauffage ne marche pas régulièrement. L'appareil de chauffage marche en émettant une odeur. L'appareil de chauffage émet de la fumée continuellement.	Mauvaise pression à la pompe.	Régler la pression de la pompe (voir Entretien: Réglage de pression de la pompe).
	L'appareil de chauffage n'a presque plus de carburant.	Ajouter du carburant au réservoir.
	Condensation d'eau dans le réservoir de carburant.	Examiner le réservoir de carburant et voir s'il y a des bulles au fond. S'il y a des bulles, enlever le carburant (voir Entreposage). Nettoyer le réservoir et les filtres à carburant (voir Entretien: Filtres à carburant). Remplir avec du carburant propre.
	Mauvais carburant.	Vider le mauvais carburant (voir Entreposage). Nettoyer le réservoir et les filtres à carburant (voir Entretien: Filtres à carburant). Remplir avec le bon carburant.
	Filtres à carburant sales.	Nettoyer les filtres à carburant (voir Entretien: Filtres à carburant).
	Fuite d'air dans le système de succion.	Serrer tous les raccords de canalisation de carburant (voir Entretien : Canalisations de carburant).
	Buse sale.	Remplacer la buse (voir Entretien : Buses).
	Le moteur fonctionne en dessous de la vitesse nominale en raison d'une tension d'alimentation basse.	Vérifier la tension d'alimentation de l'appareil de chauffage. La tension d'alimentation de l'appareil de chauffage ne doit pas être moins de 90% de la tension nominale (108V minimums pour les appareils de chauffage de 120V).
	Canalisation de carburant lâche.	Examiner et serrer tous les raccords de canalisation de carburant (voir Entretien: Canalisations de carburant).

Entretien

ENTRETIEN

CALENDRIER D'ENTRETIEN PRÉVENTIF:



AVERTISSEMENT : HAUTE TENSION. NE JAMAIS FAIRE L'ENTRETIEN DE L'APPAREIL DE CHAUFFAGE PENDANT QU'IL EST BRANCHÉ, EN MARCHÉ OU CHAUD. DES BRÛLURES GRAVES ET DES DÉCHARGES ÉLECTRIQUES POURRAIENT EN RÉSULTER.

Article	Fréquence	Comment
Réservoir de carburant	Nettoyer toutes les 150-200 heures d'opération ou au besoin.	Voir "Entreposage."
Tamis du goulot de remplissage	S'assurer que le carburant ne contient pas de particules lors du réapprovisionnement en carburant. Nettoyer le tamis lorsqu'il est sale.	Sortir le tamis du réservoir de carburant et rincer le avec du kérosène propre.
Assemblage du filtre à carburant (Réservoir de carburant)	Nettoyer deux fois par saison de chauffage ou au besoin.	Voir "Entretien: Filtres à carburant ."
Canalisations de filtre à carburant	Examiner et resserrer les raccords desserrés de temps à autre.	Voir "Entretien: Filtres à carburant ."
Filtre à carburant (dans la pompe ou dans le boîtier extérieur)	Nettoyer l'élément du filtre à air toutes les 250 heures.	Voir "Entretien: Filtres à carburant ."
Bougie	Nettoyer et régler l'écartement toutes les 300 heures d'opération ou remplacer au besoin.	Voir "Entretien: Bougie."
Pales du ventilateur et Déflecteurs d'air	Nettoyer chaque saison ou au besoin.	Voir "Entretien: Pales du ventilateur et déflecteurs d'air."
Conduits d'air autour de la tête du brûleur	Examiner chaque saison pour toute saleté et débris.	Retirer les débris et le saletés avec un chiffon propre et doux.
Moteur	Non requis/lubrifié en permanence.	

ENTRETIEN:



AVERTISSEMENT : AFIN D'ÉVITER LES RISQUES DE BRÛLURES ET DE DÉCHARGES ÉLECTRIQUES, NE JAMAIS TENTER DE FAIRE L'ENTRETIEN DE L'APPAREIL DE CHAUFFAGE PENDANT QU'IL EST BRANCHÉ, EN MARCHÉ OU CHAUD.

S'ASSURER QUE LA ZONE OÙ SE TROUVE L'APPAREIL DE CHAUFFAGE EST LIBRE DE TOUTE SUBSTANCE COMBUSTIBLE, D'ESSENCE ET D'AUTRES LIQUIDES ET VAPEURS INFLAMMABLES.

NE PAS BLOQUER LA CIRCULATION DES PRODUITS DE COMBUSTION OU LA VENTILATION D'AIR.

1. L'appareil de chauffage doit rester propre. Nettoyer l'appareil de chauffage annuellement ou au besoin pour enlever la poussière et les débris. Si l'appareil de chauffage est sale ou poussiéreux, le nettoyer avec un chiffon humide. Utiliser un produit de nettoyage ménager sur les endroits difficiles.
2. Examiner l'appareil de chauffage avant chaque utilisation.
3. Faire inspecter l'appareil de chauffage annuellement par un centre de service qualifié.
4. L'intérieur de l'appareil de chauffage doit rester libre de tout corps étrangers et combustibles. Retirer le moteur et autres pièces internes si nécessaire pour nettoyer l'intérieur de l'appareil de chauffage.
5. Nettoyer les pales du ventilateur chaque saison ou au besoin.

ENTRETIEN (SUITE)

AVERTISSEMENT : NE JAMAIS FAIRE L'ENTRETIEN DE L'APPAREIL DE CHAUFFAGE PENDANT QU'IL EST BRANCHÉ, CONNECTÉ À L'ALIMENTATION EN PROPANE, EN MARCHÉ OU CHAUD. DES BRÛLURES GRAVES ET DES DÉCHARGES ÉLECTRIQUES POURRAIENT EN RÉSULTER.

SEULEMENT UNE PERSONNE QUALIFIÉE DE SERVICE DEVRAIT ENTREtenir ET RÉPARER LE RÉCHAUFFEUR.

RETRAIT DE LA PARTIE SUPÉRIEURE DE LA COQUE:

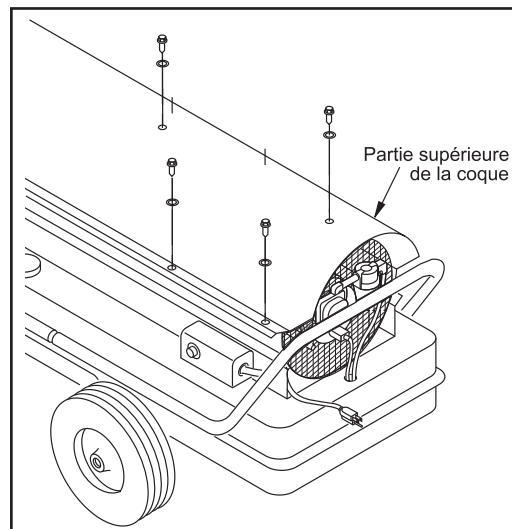
1. Retirer les vis le long de chaque côté et sur le dessus de l'appareil de chauffage à l'aide d'un tourne-écrou de 5/16 pouces. Ces vis raccordent les parties supérieures et inférieures de la coque (Fig. 3).
2. Soulever la coque supérieure.

PALES DU VENTILATEUR ET DÉFLECTEURS D'AIR:

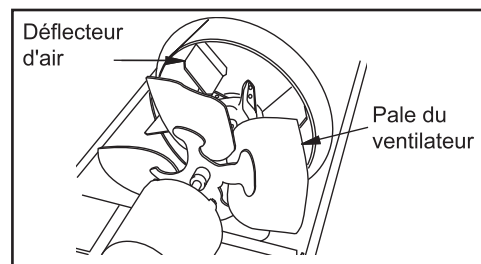
1. Retirer la partie supérieure de la coque. (voir Entretien: Retrait de la partie supérieure de la coque).
2. Nettoyer les pales du ventilateur et les déflecteurs d'air à l'aide d'un linge doux et propre légèrement mouillé avec du kérosène ou du solvant (Fig. 4).
3. Sécher complètement les pales du ventilateur et les déflecteurs d'air.
4. Replacer la partie supérieure de la coque.

BOUGIE :

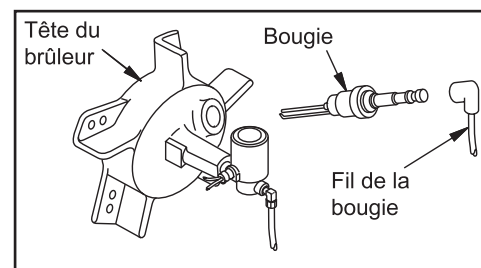
1. Retirer la partie supérieure de la coque. (voir Entretien: Retrait de la partie supérieure de la coque).
2. Débrancher le fil de la bougie (Fig. 5).
3. Retirer la bougie de la tête du brûleur à l'aide d'une clé à fourche de 13/16 pouces (Fig. 5).
4. Remplacer la bougie si elle est endommagée ou fortement couverte de carbone.
5. Nettoyer et régler l'écartement des électrodes à 0.075 pouce (1.90 mm) (Fig. 6).
6. Placer la bougie dans la tête du brûleur.
7. Brancher le fil à la bougie.
8. Replacer la partie supérieure de la coque.



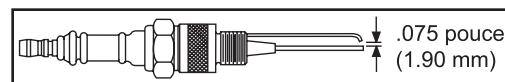
(Fig. 3)



(Fig. 4)



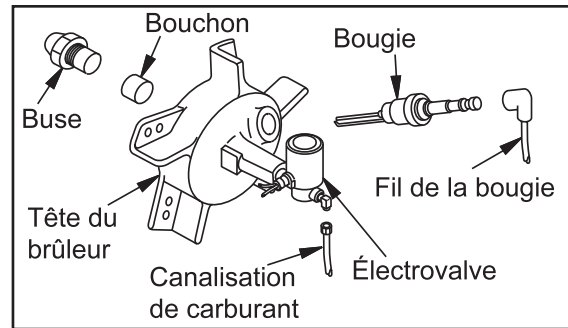
(Fig. 5)



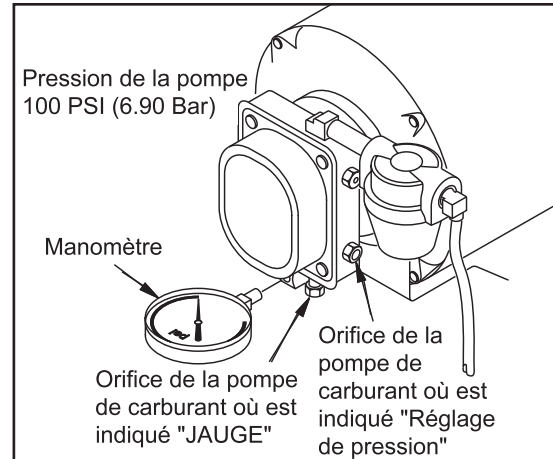
(Fig. 6)

BUSE:

1. Retirer la partie supérieure de la coque. (voir Entretien: Retrait de la partie supérieure de la coque).
2. Enlever le tuyau de canalisation de carburant de l'électrovalve à l'aide d'une clé à fourche de 7/16 pouces.
3. Débrancher le fil de la bougie.
4. Retirer la bougie de la tête du brûleur à l'aide d'une clé à fourche de 13/16 pouces.
5. Retirer les cinq vis à l'aide d'un tourne-écrou de 5/16 pouces et retirer la tête du brûleur de la chambre de combustion.
6. Placer la tête du brûleur dans un étau et serrer légèrement.
7. Retirer délicatement la buse de la tête du brûleur à l'aide d'une clé à douille de 5/8 pouces (Fig. 7).
8. Inspecter la buse pour tout dommage. Si elle est endommagée ou bouchée, remplacer la buse.
9. S'assurer que la bougie est bien en place sur la tête du brûleur.
10. Replacer la buse dans la tête du brûleur et serrer fermement (175-200 pouces-livres).
11. Attacher la tête du brûleur à la chambre de combustion.
12. Installer la bougie dans la tête du brûleur.
13. Brancher le fil de la bougie à la bougie.
14. Attacher le tuyau de canalisation de carburant à l'électrovalve. Serrer fermement.
15. Replacer la partie supérieure de la coque.



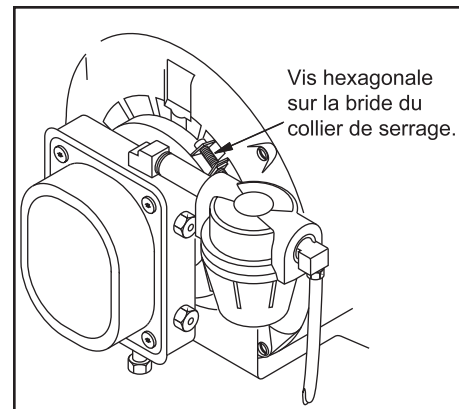
(Fig. 7)



(Fig. 8)

RÉGLAGE DE LA PRESSION DE POMPE:

1. Retirer le bouchon manométrique de l'orifice de la pompe de carburant où est indiqué "JAUGE."
2. Installer un manomètre à l'orifice de la pompe de carburant où est indiqué "JAUGE" (Fig. 8).
3. Démarrer l'appareil de chauffage. Permettre au moteur d'atteindre son fonctionnement à plein régime.
4. Régler la pression. Utiliser un petit tournevis à lame plate pour tourner la vis fendue de l'orifice de réglage de pression de la pompe de carburant. Tourner la vis dans le sens des aiguilles d'une montre pour augmenter la pression. Tourner la vis dans le sens inverse des aiguilles d'une montre pour diminuer la pression. Voir les caractéristiques dans la Figure 8 pour la bonne pression pour chaque modèle.
5. Arrêter l'appareil de chauffage.
6. Retirer le manomètre. Replacer le bouchon manométrique dans l'orifice de la pompe de carburant où est indiqué "JAUGE."

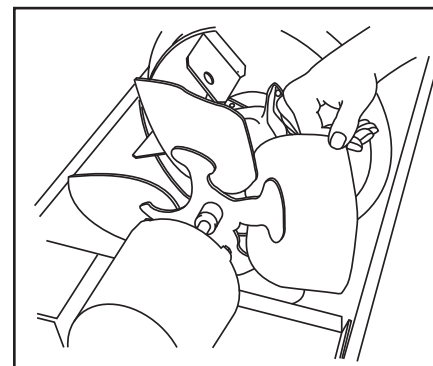


(Fig. 9)

POMPE:

(Procédure à suivre si la pompe se coince)

1. Retirer la partie supérieure de la coque. (voir Entretien: Retrait de la partie supérieure de la coque).
2. Desserrer la vis hexagonale sur la bride du collier de serrage à l'arrière du moteur à l'aide d'un tourne-écrou de 5/16 pouces (Fig. 9).
3. Tourner le ventilateur à la main (Fig. 10).
4. Si le ventilateur tourne librement, serrer la vis de la bride du collier de serrage.
5. Si le ventilateur ne tourne pas facilement, remplacer la pompe.
6. Replacer la partie supérieure de la coque.

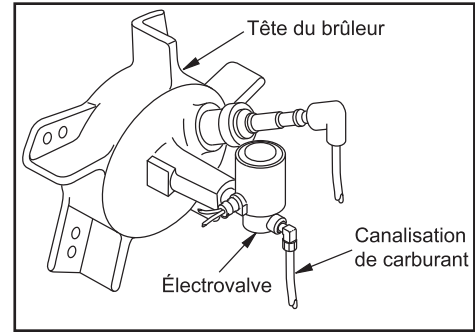


(Fig. 10)

CANALISATIONS DE CARBURANT :

(Procédures pour serrer les canalisations de carburant)

1. Retirer la partie supérieure de la coque. (voir Entretien: Retrait de la partie supérieure de la coque).
2. Utiliser une clé à molette pour sécuriser les supports.
3. Utiliser une clé de 7/16 pouces et serrer les canalisations de carburant au niveau de l'électrovalve, de la pompe et du boîtier des filtres à carburants (si l'appareil en est équipé) (Fig. 11 et 12).

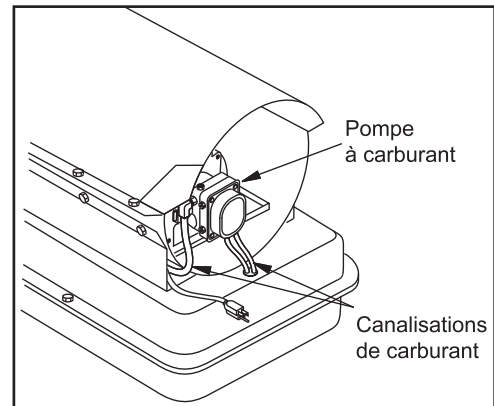


(Fig. 11)

FILTRES à CARBURANT :

Filtres à carburant du réservoir

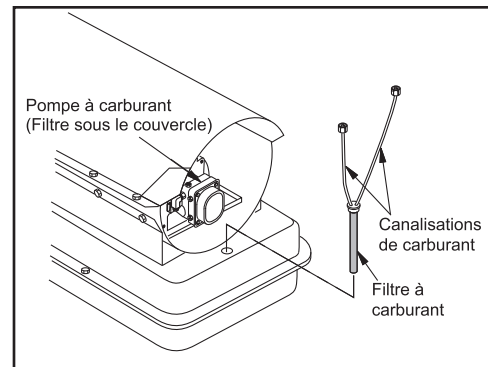
1. Débrancher les canalisations de carburant de la pompe et du boîtier des filtres à carburants (si l'appareil en est équipé) à l'aide d'une clé de 7/16 pouces (Fig. 13 et 14).
2. Retirer avec précaution le filtre à carburant du réservoir de carburant avec le coté plat d'un tournevis.
3. Vérifier que le filtre à carburant ne contient pas d'eau et de résidus.
4. Rincer le filtre à carburant et les canalisations de carburant avec du kérosène propre.
5. Remettre le filtre à carburant dans le réservoir de carburant.
6. Raccorder les canalisations de carburant à la pompe et au boîtier du filtre à carburant (si l'appareil en est équipé).



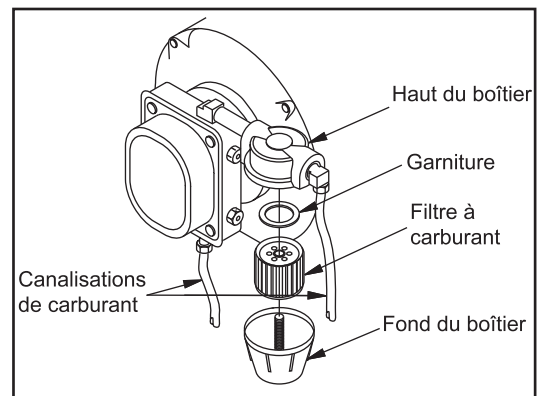
(Fig. 12)

Filtre/Boîtier extérieurs à la pompe

1. Dévisser le fond du boîtier du haut du boîtier avec des pinces réglables.
2. Enlever le filtre à carburant et la garniture du fond du boîtier (Fig. 14).
3. Inspecter le fond du boîtier et le filtre à carburant à la recherche de gouttes d'eau ou de saletés.
4. Rincer le fond du boîtier dans du kérosène propre.
5. Essuyer l'intérieur du fond du boîtier avec un linge propre.
6. Rincer le filtre à carburant avec du kérosène propre.
7. Remettre le filtre à carburant propre et la garniture dans le fond du boîtier.
8. Visser le fond du boîtier dans le haut du boîtier.
9. Serrer solidement. Inspecter le boîtier à la recherche de fuites.



(Fig. 13)



(Fig. 14)

Entreposage

ENTREPOSAGE

Note : *Si l'appareil de chauffage doit être expédié, les compagnies de transport exigent que les réservoirs de carburant soient vides.*

1. Vider tout le carburant des canalisations de carburant et de la pompe/filtre (voir Entretien: Filtres à carburant).
2. Nettoyer et rincer les filtres à carburant dans la pompe à carburant si l'appareil en est équipé (voir Entretien: Filtres à carburant).
3. Retirer le bouchon de vidange et vider le réservoir de carburant.
4. Replacer le bouchon de vidange.
5. Si l'ancien carburant contient des débris, ajouter 1 à 2 litres (environ 1 à 2 pintes) de kérosène propre au réservoir, remuer et vidanger de nouveau. Ceci empêchera l'excès de débris de bloquer les filtres lors d'utilisation future.
6. Remettre en place le bouchon du réservoir de carburant ou le bouchon de vidange. Se débarrasser correctement du vieux carburant souillé. Se renseigner auprès des postes d'essence des environs qui recyclent de l'huile.
7. Ajouter 2 gallons (7.5 litres) de kérosène propre ou de mazout n°1 au réservoir de carburant.
8. Replacer le bouchon du réservoir de carburant.
9. Faire fonctionner l'appareil de chauffage pendant 5 minutes (voir Fonctionnement).
10. Mettre l'appareil de chauffage à l'arrêt et le laisser refroidir complètement.
11. Retirer le bouchon de vidange et vidanger le réservoir de carburant.
12. Replacer le bouchon de vidange.
13. Se débarrasser correctement du vieux carburant souillé.
14. En cas d'entreposage, laisser l'appareil de chauffage dans un endroit sec. S'assurer que l'endroit d'entreposage est libre de poussières et de vapeurs corrosives.

IMPORTANT : *N'entrepozer pas le kérosène pendant les mois d'été pour l'utiliser pendant la saison de chauffage suivante. L'utilisation de vieux carburant pourrait endommager l'appareil de chauffage.*

Caractéristiques

ARTICLE	SPECIFICATION
Taille du modèle	AC-350
Puissance de sortie (BTU/Heure)	350,000
Combustible	N'utiliser que du kérosène ou du mazout N° 1.
Capacité De Réservoir De Carburant	30 gallons/113.5 litres
Consommation de combustible (gallons par heure/Litres par heure)	2.25 / 8.51
Pression de pompe à carburant	100 PSI
Régime du moteur (tour/minute)	1725
Alimentation électrique	115V / 60Hz
Ampérage (fonctionnement normal)	7.1
Ecartement des électrodes de la bougie	.075 pouce (1.90 mm)
Poids de l'appareil de chauffage (approximatif en livres/kilos)	180 / 81.6
Poids de l'appareil de chauffage - Réservoir De Carburant (approximatif en livres/kilos)	390 / 176.9

NOTER LE NUMÉRO DE SÉRIE

Noter ci-dessous le numéro de modèle ainsi que le numéro de série et la date d'achat de votre appareil. Votre concessionnaire a besoin de ces renseignements lors des commandes de pièces

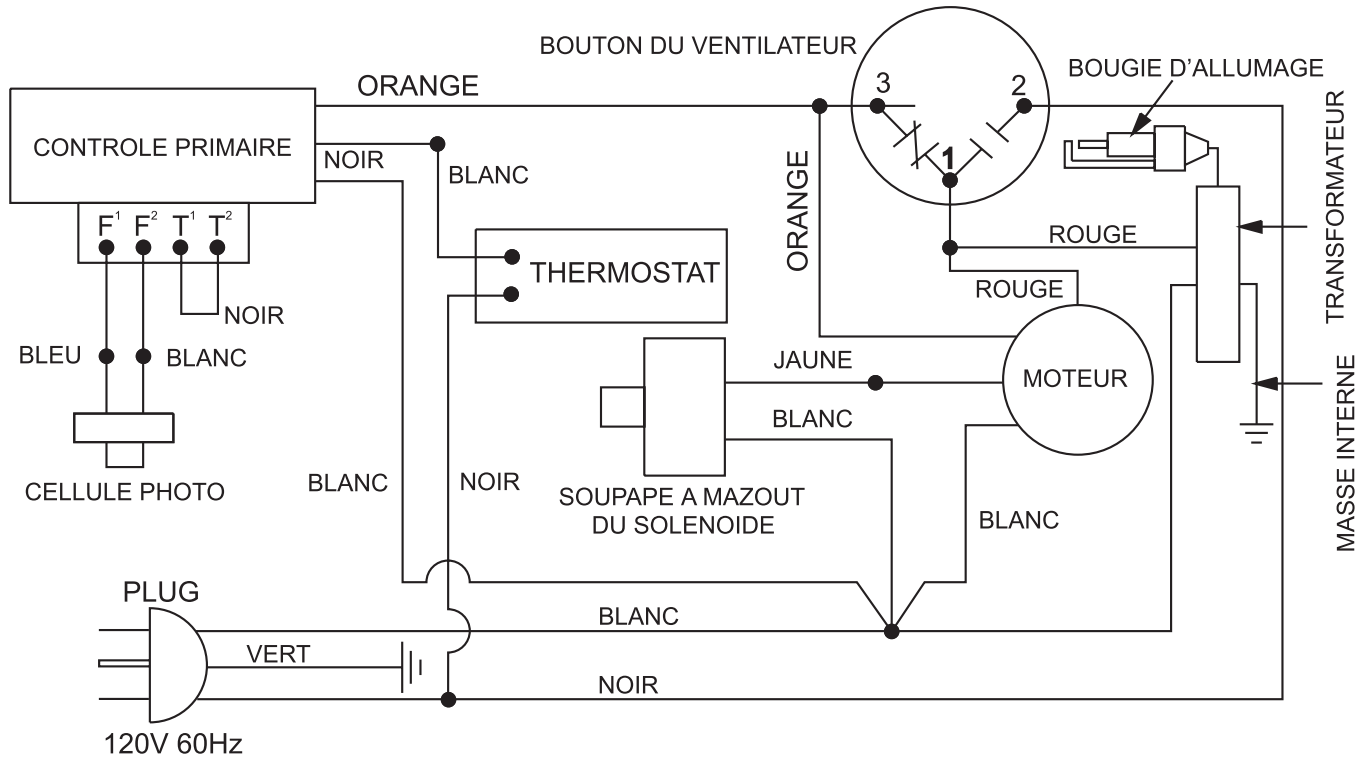
Numéro de modèle _____

Numéro de série _____

Date d'achat _____

(À remplir par l'acheteur)

Schéma de câblage



CONDITIONS DE LA GARANTIE

John Deere garantit toutes les pièces (à l'exception de celles stipulées ci-dessous), de votre nouveau appareil de chauffage sans carburant en cas de défauts de matériaux et de fabrication pendant les périodes suivantes:

Pendant un (1) année à partir de la date d'achat initiale.

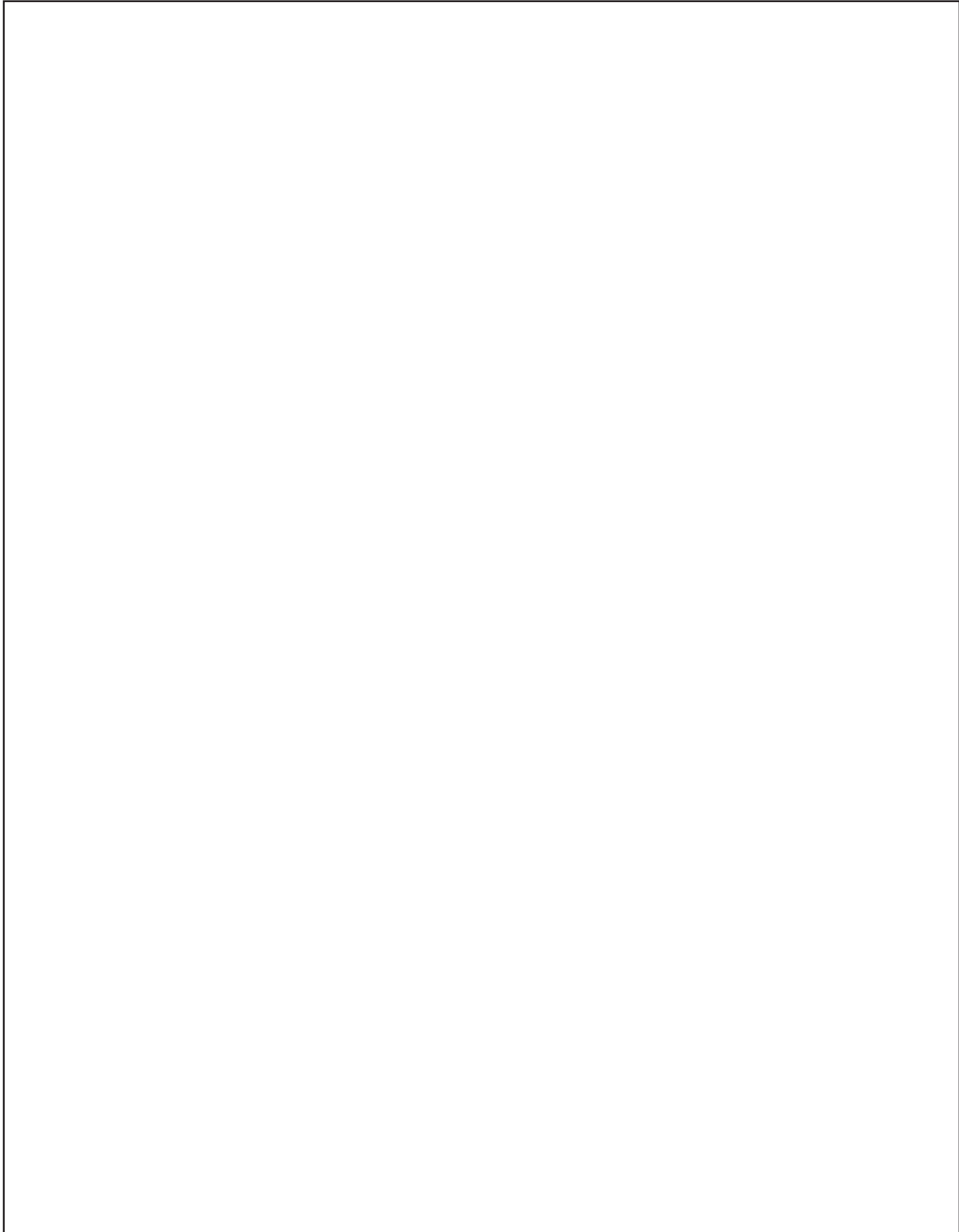
Les pièces défectueuses ne résultant pas d'une usure normale seront réparées ou remplacées à notre choix pendant la période de garantie. Quoi qu'il arrive, le remboursement est limité au prix d'achat.

PIECES EXCLUES DE LA GARANTIE

1. Cette garantie ne couvre pas les pièces endommagées par l'usure normale, une mauvaise utilisation, une utilisation abusive ou un fonctionnement autre que recommandé. La garantie ne couvre pas les dégâts provoqués par un mauvais suivi des procédures de fonctionnement et d'entretien .
2. L'utilisation de pièces de réparation autres que celles d'origine annule la garantie.
3. La garantie sera annulée si l'appareil est utilisé pour tout autre usage que consommateur/propriétaire. Les pièces renvoyées en port payé, à notre usine ou à un centre de réparation John Deere agréé seront inspectées et remplacées gratuitement si elles s'avèrent être défectueuses et couvertes par la garantie. Il n'existe aucune garantie prolongeant les dates d'expiration stipulées ci-dessus. Le fabricant n'est en aucun cas responsable des pertes d'usage, de temps ou de location, des dérangements causés, des pertes commerciales ou des dommages qui en résultent.

Pour toute question de service ou de garantie, s'adresser à
Mi-T-M Corporation, 8650 Enterprise Drive, Peosta, IA 52068-0050
Tél.: JD-KLEEN (1-877-535-5336) Fax 563-556-1235
Du lundi au vendredi de 8h00 à 17h00, heure centrale

Note



Introducción

Gracias por comprando este John Deere producto.

Lea este manual con cuidado para aprender como operar y heacerie servicao su máquina correcto. Falla resultaría en lesiones personales o daño a equipo. Este el manual y muestras de seguridad en su máquina pueden también estar disponibles en otras idiomas. (véase a su distribuidor de John Deere para ordenar)

Este manual debe considerar una parte permanente de su máquina y debe quedar con máquina cuando venderla.

Medidas en este manual se dan en sistema métrico y en equivalentes de unidades de Estado Unidos. Use sólo partes y cierres de reemplazar correctos. Cierres métricos y pulgadas necesitarian un tirón especial de métrico o pulgada.

El número de serie está situada en sección de especificaciones o números de identificación. Escriba correcta todos números para ayndaría en encontrar la máquina si sea robado. Su concesionario también necesite estos números cuando ordenaría partes. Ponga números de identificación en lugar seguro atuera de máquina.

Garantía provece de concesionario John Deere para quien opere y mantenga su equipo como descrito en este manual. Este manual está explicado en certificado de garantía que se vea en este manual.

Esta garantía provece la seguridad que su concesionario John Deere daría garantía de productos donde defectos aparecen durante tiempo de garantía. Debe abusar al equipo o cambios para modificar la función atrás de especificaciones de fabrica la garantía será vacío.



ADVERTENCIAS DE SEGURIDAD:

LEA ESTE MANUAL DEL PROPIETARIO CUIDADOSA Y COMPLETAMENTE ANTES DE INTENTAR ENSAMBLAR, OPERAR O DAR SERVICIO A ESTE CALENTADOR. EL USO INADECUADO DE ESTE CALENTADOR PUEDE CAUSAR LESIONES GRAVES O LA MUERTE POR QUEMADURAS, INCENDIO, EXPLOSIÓN, ELECTROCUCIÓN E INTOXICACIÓN CON MONÓXIDO DE CARBONO.

ASEGÚRESE DE LEER Y COMPRENDER TODAS LAS ADVERTENCIAS. CONSERVE ESTE MANUAL PARA REFERENCIA. ES SU GUÍA PARA UN FUNCIONAMIENTO SEGURO Y CORRECTO DE ESTE CALENTADOR.



ADVERTENCIA: INCENDIO, QUEMADURA, INHALACION, Y RIESGO DE EXPLOSION. MANTENGA COMBUSTIBLES SOLIDOS COMO MATERIAS DE CONSTRUIR, PAPEL O CARTON, UNA DISTANCIA SEGURA AFUERA DE CALENTADOR COMO RECOMIENDE DE INSTRUCCIONES. NUNCA USE CALENTADOR EN SPACIOS QUE TIENEN O PUEDEN TENER COMBUSTIBLES O PRODUCTOS VOLATILES O AIREADOS COMO GASOLINA, SOLVENTOS REBAJADOR DE PINTA, ESCOMBOS, QUIMICAS DESCONOCIDOS.



ADVERTENCIA: NO USES PARA CASA O VEHICULO DE RECREO.



ADVERTENCIA

Este producto contiene y/o genera químicos que el Estado de California reconoce que causan cáncer, defectos de nacimiento u otros daños relacionados con la reproducción.

Materias

	Página
Seguridad	60
Mandos	67
Preparando	68
Operación	70
Localización de fallas	72
Servicio	75
Almacenamiento	80
Especificaciones	81
Diagrama de Alambre	82
Garantía	83

Toda información, ilustraciones, y especificaciones en este manual se basa en información lo último que disponible al tiempo de publicación. Se reserva el dercho de efectuar cambios sin previo aviso.

Seguridad

RECONOZCA INFORMACIÓN DE SEGURIDAD

Este es el símbolo de alerta de seguridad. Cuando mire este símbolo en la máquina o manual, sea alerta de posibilidad o potencia de graves personales.

Siga precauciones recomendables y prácticas de operación.



COMPRENDA PALABRAS DE ALERTAS

Una palabra de alerta -- Peligro, Advertencia, Precaución -- se usa con el símbolo de alerta de seguridad. Peligro indica la situación más seria.

Señales de seguridad como PELIGRO y ADVERTENCIA está situada cerca de riesgos específicos. Precauciones generales están en una lista en las señales de seguridad precaución a mensajes de seguridad en este manual.

 **PELIGRO**

 **ADVERTENCIA**

 **PRECAUCION**

SIGA LAS INSTRUCCIONES DE SEGURIDAD

Lea con cuidado todos mensajes de seguridad en este manual y en las señales de seguridad en máquina. Mantengase señales de seguridad en condición bueno. Reemplace desaparecidos o señales de seguridad con daño. Asegurese que componentes nuevos de equipo y partes de reparación incluir las señales de seguridad último. Señales de seguridad para reemplace son disponibles de su concesario.

Aprenda como operar la máquina y como usar los mandos correcta. No permita nadie para operar sin instrucciones.

Lea este manual del propietario cuidadosa y completamente antes de intentar ensamblar, operar o dar servicio a este calentador. El uso inadecuado de este calentador puede causar lesiones graves o la muerte por quemaduras, incendio, explosión, electrocución e intoxicación con monóxido de carbono.

Asegúrese de leer y comprender todas las advertencias. Conserve este manual para referencia. Es su guía para un funcionamiento seguro y correcto de este calentador.



MONÓXIDO DE CARBONO- GAS VENENOSO



PELIGRO: ¡LA INTOXICACIÓN CON MONÓXIDO DE CARBONO PUEDE SER MORTAL!

Exhausto de calentador contiene monóxido de carbono- un gas venenoso que puede matarle. No puede oler o ver este gas.

Intoxicación con monóxido de carbono: los síntomas iniciales de la intoxicación con monóxido de carbono son semejantes a los de la gripe, con dolores de cabeza, mareos y/o náusea. Si usted presenta estos síntomas, es posible que el calentador no esté funcionando correctamente. ¡Respire aire fresco inmediatamente! Haga que reparen el calentador. El monóxido de carbono afecta más a algunas personas que a otras. Las más afectadas incluyen mujeres embarazadas, personas con enfermedades del corazón o de los pulmones o anemia, aquellas bajo la influencia del alcohol y aquellas a elevadas alturas.

Nunca use calentador en espacios cerrados o parcialmente cerrados sin apropiado ventilación. Úsese solamente en áreas bien ventiladas. Antes de usar el calentador, procure tener una abertura de cuando menos 2 800 cm² (3 pies²) para el aire fresco exterior por cada 30 kw (100 000 BTU/h) de servicio nominal. Calentadores puede producir niveles altos de monóxido de carbono muy rápido. Cuando use un calentador, recuerde que no puede oler o ver monóxido de carbono. Aunque si no pueda oler gases de exhausto, puede exponerle a monóxido de carbono.

Si empieza sentir enfermo, mareo, o débil cuando usando calentador, vaya adentro PRONTO. NO RETRASE. Monóxido de carbono de generadores puede llevar rápidamente a todo incapacitado y muerte.

Si tenga síntomas serios, tenga atención médica inmediatamente. Diga empleados médicos que sospechar de venenoso de monóxido de carbono. Si tenga síntomas mientras adentro diga alguien llamar el departamento de fuegos para determinar cuando seguro para entrar otra vez el edificio.

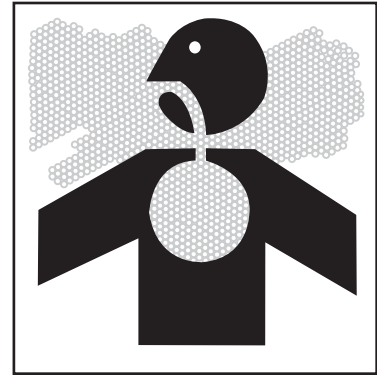
NUNCA opere calentador en atmósfera explosivo, cerca materias combustibles o donde ventilación no es suficiente para llevar gases de exhausto afuera. Gases de exhausto puede causar lesiones graves o muerte.

NUNCA use calentador adentro, incluyendo en casas, garajes, sótanos, espacios pequeños, y otras áreas cerradas o parcialmente cerradas, sin apropiado ventilación. Abriendo puertas y ventanas o usando ventiladores no prevenir acumulación de monóxido de carbono en casas. Úsese solamente en áreas bien ventiladas. Antes de usar el calentador, procure tener una abertura de cuando menos 2 800 cm² (3 pies²) para el aire fresco exterior por cada 30 kw (100 000 BTU/h) de servicio nominal.

Si usted comienza a sentirse enfermo, mareado, o débil mientras que usa el calentador del espacio, cerró si apagado y consigue el aire fresco ENSEGUIDA. Vea a doctor. Usted puede tener intoxicación con monóxido de carbono.

Instale alarmas de monóxido de carbono que operados de batería o alarmas de monóxido de carbono enchufadas con seguridad de batería en su casa según las instrucciones de instalación de fabricante. Las alarmas de monóxido de carbono deben tener certificación de requisitos de calidades de seguridad últimos para alarmas de monóxido de carbono. (UL 2034, IAS 6-96 o CSA 6.19.01).

Examine su alarma de monóxido de carbono frecuentemente y reemplace baterías muertas.





ADVERTENCIAS DE SEGURIDAD CUANDO RELLENANDO

Sólo use kerosene o #1 aceite del combustible para quitar el riesgo de encendido o explosión. Nunca use gasolina, la nafta, diluido de pinta, el alcohol, y otros combustibles sumamente inflamables. El personal implicado con llenando de combustible será calificado y completamente familiarizado con las instrucciones de manufacturer y regulaciones aplicables con respecto al llenando de combustible seguro de las unidades.

Sólo use el tipo del combustible especificado en el plato de los datos de calentador será usado.

Toda llama, inclusive el piloto, si cualquiera, se extinguirá y e; calentador permitió enfriarse, antes de llenando de combustible.

Durante llenando de combustible, todas líneas del combustible y conexiones de combustible-línea se inspeccionarán para agujeros. Cualquiera se sale será reparado antes de volver el calentador para atender a.

En ningún tiempo irá más de un suministro de día del combustible de calentador sea almacenado dentro de un edificio en la vecindad de el calentador. El almacenamiento del combustible del bulto estará fuera de la estructura.

Todo almacenamiento del combustible se localizará un mínimo de 25 pies (762 cm) de calentadores, antorchas, el equipo de soldando, y las fuentes semejantes de la ignición (la excepción: el depósito del combustible integrante con la unidad de calentador).

Siempre que posible, almacenamiento de combustible irá limitar de áreas donde penetraciones de piso no permiten el combustible para gotear en ni es encendido por un fuego en la elevación más baja.

El almacenamiento del combustible será de acuerdo con la autoridad que tiene la jurisdicción.

Observe todas regulaciones de la seguridad para el manejo seguro del combustible. Maneje el combustible en contenedores de seguridad. Si el contenedor no tiene un chorro, use un embudo.

No sature el tanque del combustible, sale el espacio para el combustible para ensanchar.

No rellene mientras la unidad está funcionando. Antes de rellenando el calentador, lo apague y permite enfriarse.

Llene el tanque sólo en un área del suelo descubierta. Mientras llenando el tanque, mantenga el calor, las chispas y las llamas abiertas lejos. Limpie con cuidado algo derrame de combustible antes de empezar la unidad.

Siempre llene en un área con la abundancia de la ventilación para evitar vapores peligrosos que inhalan.

NUNCA mantenga el combustible para su calentador en el hogar. La gasolina, porpane, el queroseno, y otros líquidos inflamables se deben almacenar fuera de las áreas vivas contenedores de seguridad de marcas apropiados y de no-vidrio. No los almacene cerca de un aparato de ardor de combustible, tal como un calentador de gas natural en un garaje. Si el combustible se rocia o el contenedor no se sella apropiadamente, vapores invisibles del combustible pueden viajar por el suelo y pueden ser encendidos por el piloto de aparato o por arcos de interruptores eléctricos en el aparato.



RIESGOS DE ELECTRICOS



PELIGRO- CONECCION INCORRECTA DE EQUIPO CONDUCTOR DE TIERRA PUEDE RESULTAR EN RIESGO DE ELECTROCUCION. HABLE CON UN ELECTRICISTA CALIFICADO O REPRESENTANTE DE SERVICIO SI TENGA DUDA SOBRE QUE LA UNIDAD TIENE LA TOMA A TIERRA CORRECTA.

Sólo use el voltaje y frecuencia eléctricos especificaron en el plato modelo.

Calentadores de espacio tiene que toma a tierra. Use sólo un cordón de extensión con tres alambres que toma a tierra correcta. Tape entre salida de tierra sólo. Si debe fallar o la avería, toma a tierra provece un sendero de menos resistencia para la corriente eléctrica reducir el riesgo de descarga eléctrica.

El calentador de espacio es un suministro de descarga eléctrica si no mantenga seco. Mantenga el calentador seco y no use en condiciones mojadas o de lluvia. Para proteger de humedad, operelo en un superficie seco debajo de una estructura abierta como un dosel. Seque sus manos si son mojados antes de tocando el calentador de espacio.

Revise que todo el cordón es libre de cortes o roturas y que el tapón tiene tres puntas, especialmente un perno de toma a tierra.

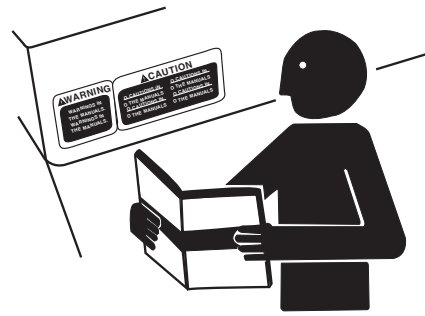




INSTRUCCIONES IMPORTANTES DE SEGURIDAD

Asegúrese que leer y comprender todas advertencias. Mantenga este manual para referencia. Es su guía para operación seguro y correcto de este calentador.

1. Use solamente en áreas libres de vapores inflamables o de alto contenido de polvo.
2. Distancia mínima con respecto a los materiales combustibles: 2,44 m (8 pies) de la salida de aire caliente; 1,83 m (6 pies) de la parte superior; y 1,2 m (4 pies) de los laterales y la entrada.
3. Sitúe el calentador en una superficie estable y nivelada si está caliente o en funcionamiento, de lo contrario puede ocurrir un incendio.
4. Úsese solamente en áreas bien ventiladas. Antes de usar el calentador, procure tener una abertura de cuando menos 2 800 cm² (3 pies²) para el aire fresco exterior por cada 30 kw (100 000 BTU/h) de servicio nominal.
5. Mantenga siempre a los niños y animales alejados del calentador.
6. Use calentador solamente en acuerdo de acuerdo con las ordenanzas locales y códigos.
7. Mantenga área de calentador limpia y sin materias combustibles, gasolina, desolvente de pinta, y otros vapores y líquidos flammables.
8. Nunca use calentador en áreas de vivienda o dormiendo.
9. Nunca quede calentador tapado sin supervisión de adulto si niños o animales están o hay una posibilidad que ellos estén. No mantenga su calentador desatendido.
10. Nunca mueva, toque, o dé servicio a un calentador caliente o un que está operando. Quemaduras serias pueden resultar. Tiene que esperar 15 minutos después de apagado del calentador.
11. Nunca sujete trabajo de conductor al frente o al trasero de calentador.
12. Los calentadores utilizados cerca de toldos, lonas o materiales similares de protección deben situarse a una distancia segura de dichos materiales. La distancia mínima recomendada para su seguridad es de 3,05 m (10 pies). También se recomienda que dichos materiales de protección tengan propiedades retardadoras de fuego. Estos materiales de protección deben estar seguramente sujetos para prevenir que se enciendan o que afecten el funcionamiento del calentador debido a la acción del viento.
13. Desconecte el calentador cuando no esté en uso.
14. Nunca bloquee la entrada de aire (posterior) o la salida de aire (anterior) del calentador.
15. Este producto obtiene la aprobación para uso del Commonwealth de Massachusetts.
16. Use solamente con la manguera y regulador preprogramado de fabrica que provece con el calentador.
17. Utilice solamente con el voltaje y la frecuencia eléctricos especificados en la placa modelo.
18. Para uso adentro sólo. No use el calentador en aire libre.



INSTRUCCIONES IMPORTANTES DE SEGURIDAD

19. Cuando moviendo o almacenamiento un calentador, mantenga calentador en posición nivel o derrame de combustible puede ocurrir.
20. Revise calentador para daño antes de cada uso. No use un calentador que tiene daño.
21. Revise manguera antes de cada uso de calentador. Si muy gastado o cortado, reemplace con manguera especificado por el fabricante antes de usar el calentador.
22. Mantenga el calentador afuera de los giros fuertes, el viento, el rocío del agua, la lluvia o agua goteado.
23. Para prevenir la herida, lleve guantes cuando manejando el calentador.
24. No cambie el calentador. Mantenga el calentador en estado original.
25. No use el calentador si es cambiado.
26. Sólo use las partes originales del reemplazo. Este calentador debe usar el diseño las partes específicas. No sustituya ni use las partes genéricas. Las partes impropias del reemplazo podrían causar las heridas graves o fatales.
27. Este calentador tiene un termostato. Un calentador que está tapado puede empezar en cualquier momento.
28. Nunca empiece calentador cuando cámara de combustión está caliente o si el combustible ha acumulado en cámara de combustión.
29. Nunca mueva, toque, rellene o dé servicio a un calentador caliente, un que está operando o tapado en el calentador.



GUARDE ESTAS INSTRUCCIONES

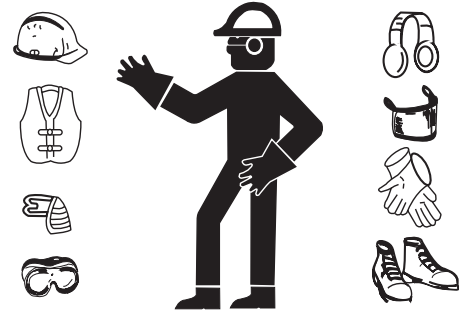


USE ROPA PROTECTORA

Use ropa medida cerca y equipo de seguridad apropiado al trabajo.

Use devise protector de oído como orejeras o tapón para el oído para proteger en contra de ruidos inaceptables y altos.

Operando equipo de seguridad necesita toda atención de operador. No use auriculares de radio o música mientras operando máquina.

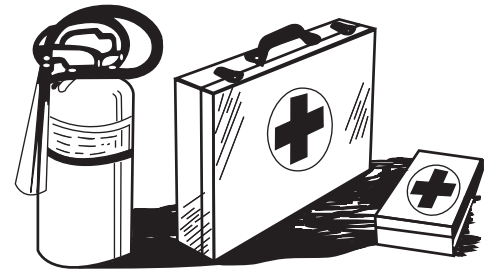


PREPARE PARA EMERGENCIAS

Mantenga primeros auxilios y extinguidor cerca.

Mantenga números de emergencia para doctores, servicio de ambulancia, hospital, y departamento de fuego cerca de telefono.

Sea preparado si un fuego empiece.



INSPECCIONES CALENTADOR

Asegúrese que todas tapas, guardias, y escudos son ajustados y en posición.

Encuentre todos controles operando y etiquetas de seguridad. Inspeccione cordón eléctrico para daño antes de usando. Hay un riesgo de electrocución de aplastante, cortando, o daño de calor.

Quite todos los artículos del embalaje aplicados del calentador para el envío. Quite todos los artículos del cartón. Compruebe los artículos para saber si hay cualquier daño del envío. Si se daña el calentador, informe puntualmente al distribuidor donde usted compró el calentador.

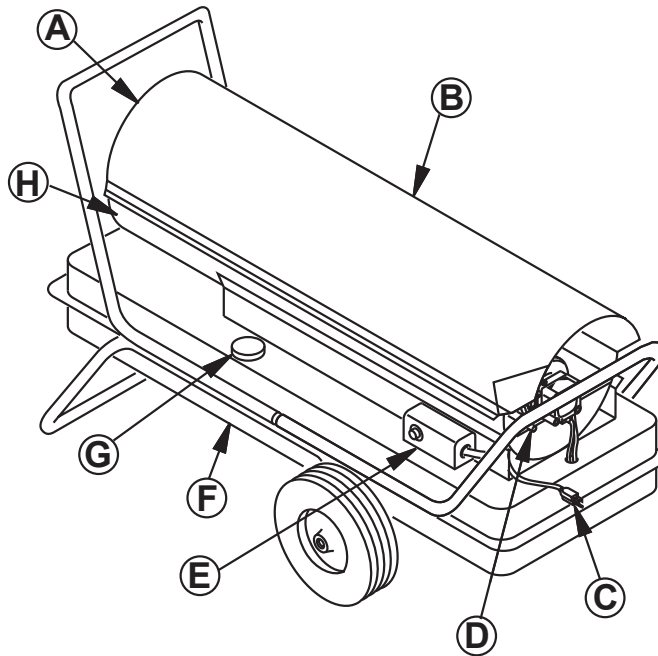
SERVICIO CON CIUDADO CALENTADOR

Antes de servicio del calentador, apague el calentador y permite enfriarse de la unidad.

Preste servicio en un área limpia, seca y planca.

Mandos

MANDOS AC-350



A -- Salida de Aire Caliente (Frente)
B -- Cáscara Arriba
C -- Cordón de Corriente

D -- Llama-Afuera Bóton de
Control de Volver
E -- Termostato
F -- Tanque de Combustible

G -- Cubierta de Combustible
H -- Cáscara Abajo

Preparando

VENTILACIÓN

ADVERTENCIA : SIGA LOS REQUISITOS MINIMOS DE AIRE FRESCO Y FUERA DE VENTILACION. SI APROPIADO AIRE FRESCO Y FUERA DE LA VENTILACION NO ES PROPORCIONADO, EL ENVENAMIENTO DE MONOXIDO DE CARBONO PUEDE OCURRIR. PROVECE VENTILACION DE AIRE APROPIADO DE FRESCO Y FUERA ANTES DE OPERAR EL CALENTADOR.

Los Requisitos De Abiertas del Aire Frescos:

Tamaño de Calentador	Abierta de los Pies Cuadrados
350,000 Btu/Hr	10.5

Nota: Si usa más de un calentador, provece una abierta de aire fresco de un mínimo de tres pies cuadrados para cada 100,000 Btu/Hr valador.

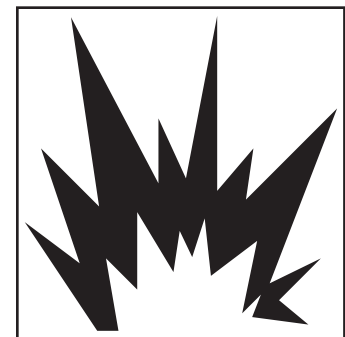
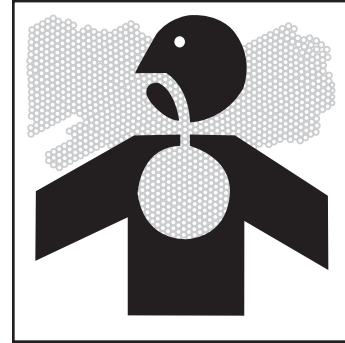
COMBUSTIBLES

ADVERTENCIA: SOLO USE KEROSENO #1 ACEITE DE COMBUSTIBLE PARA EVITAR el RIESGO DEL FUEGO O EXPLOSION. NUNCA USE GASOLINA, NAFTA, DILUIDO DE PINTA, EL ALCOHOL NI OTROS COMBUSTIBLES SUMAMENTE INFLAMABLES.

No use los combustibles pesados tales como No. 2 aceite ni No. 2 diesel. Utilizando los combustibles pesados tendrán como resultado:

- el filtro y boquilla atascados del combustible
- aumento de carbón en chispero
- la necesidad de no tóxico anticogelante en el combustible durante el tiempo muy frío

IMPORTANTE: Use contenedor de almacenamiento de SOLO KEROSENE. Asegurese que este contenedor almacenamiento es limpio. El asunto extranjero tal como la oxidación, la tierra o el agua causarán el control de llama-fuera apaga el calentador. El asunto extranjero también le puede requerir a limpiar sistema de combustible a menudo.



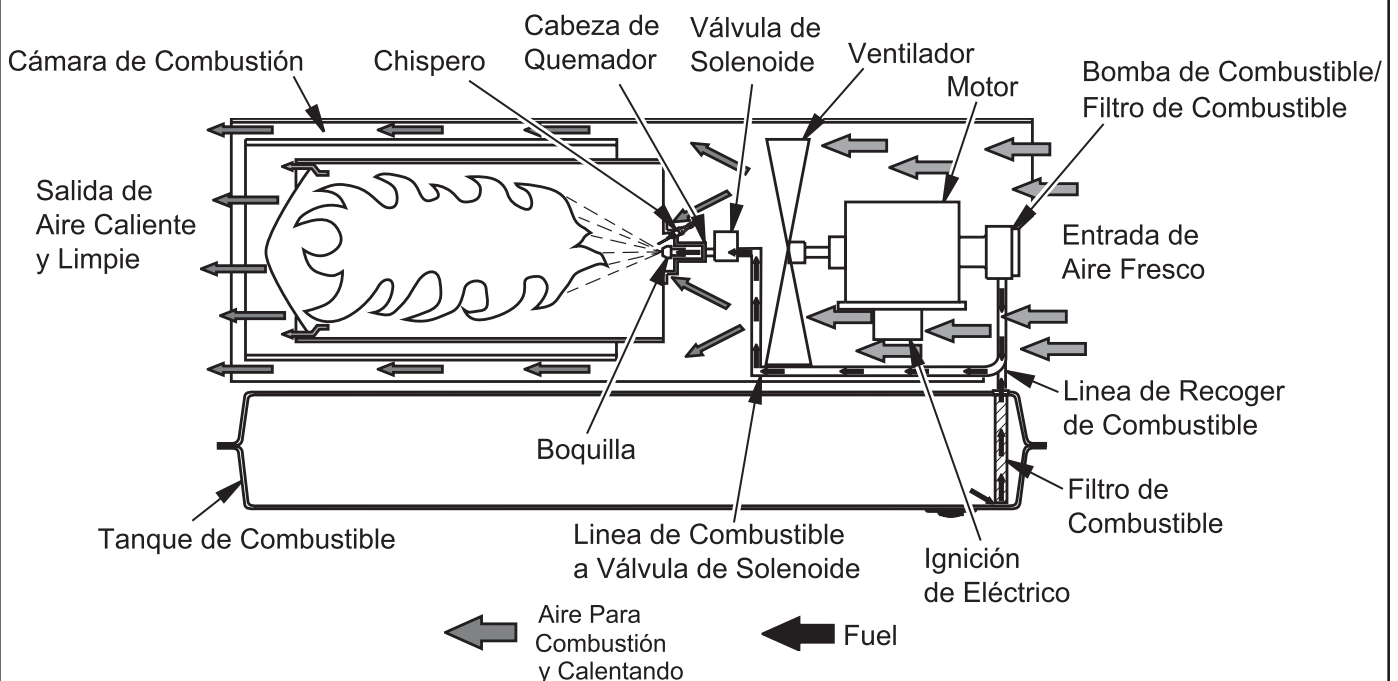
LA TEORIA DE LA OPERACIÓN

El Sistema de Combustible: El motor dobla la bomba de combustible. La bomba de combustible tira el combustible de tanque de combustible. La bomba de combustible empuja combustible por un filtro y válvula de solenoide y afuera la cabeza de y boquilla de quemador.

El Sistema de Aire: El motor dobla la ventilador. La ventilador empuja aire entre y alrededor de cámara de combustión. El aire se calenta y provece un corriente de aire limpie y caliente.

El Sistema de Ignición: El ignición eléctrico manda voltaje a chispero. El chispero ignita el combustible y mezcla de aire.

El Sistema de Contol de Llama-Afuera: Lo permita el ventilador siga a operar después de apague de calentador. Este enfría la cámara de combustión.



Operación

FUNCIONAMIENTO

IMPORTANTE: Lea y comprenda las advertencias en la sección de Información de Seguridad. Ellos son necesarios para operar con seguridad este calentador. Siga todas ordenanzas locales y códigos cuando se usa este calentador.



ADVERTENCIA: SIGA EL MÍNIMO REQUISITO DE AIRE FRESCO Y FUERA DE VENTILACIÓN. SI AIRE APROPIADO FRESCO Y FUERA DE LA VENTILACIÓN NO ES PROPORCIONADO, EL MONÓXIDO DE CARBONO POISONING PUEDE OCURRIR. PROVECE AIRE APROPIADO FRESCO Y FUERA DE LA VENTILACIÓN ANTES DE OPERAR EL CALENTADOR.

ARRANQUE EL CALENTADOR:

1. Siga toda información de seguridad y ventilación.
2. Encuentre calentador para proveer la circulación máxima de aire caliente. Siga todos requisitos de la ubicación notados en la sección de Información de Seguridad en este manual.
3. Llene tanque de combustible con kerosene o aceite de combustible #1.
4. Sujete cubierta de combustible.
5. Ponga dial de termostato a temperatura deseable.

Nota: Posición de termostato tiene que ser más alta de temperatura de aire que está alrededor.

6. Tape cordón de corriente del calentador entre cordón de extensión de tierra con tres puntas. Cordón de extensión tiene que ser más de 6 pies de longitud.



ADVERTENCIA: SOLO USE UN CORDON DE EXTENSION DE TIERRA CON TRES PUNTAS. USE CORDON CON TAMAÑO CORRECTO DE ALAMBRE PARA ASEGURAR OPERACION DE 120 VOLTAJES. (FIG. 1)

7. Tape cordón de extensión entre salida de tierra estandar 120 volt / 60 hertz con tres puntas.
8. El motor empezará cuando el cordón de extensión esté tapado entre salida. El calentador debe encender inmediatamente. Si calentador no enciende, vuelve a encender calentadora. Para volver a encender calentadora, la espera 60 segundos, entonces empujón en el control de llama-afuera. El control de llama-fuera repone el botón está en el trasero de calentadora cerca del cordón de corriente (fig 2).

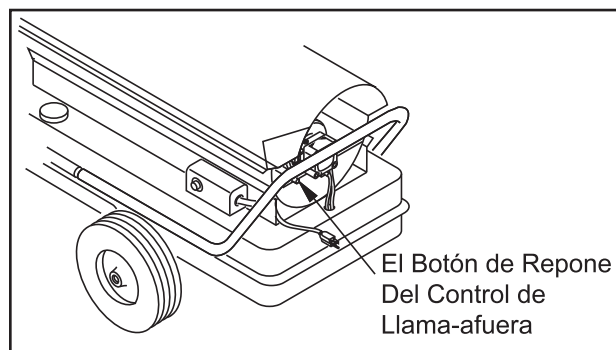
Nota: Una calentadora fría puede afectar la colocación de termostato. Este termostato es un control de la calefacción de general. No se piensa para el control preciso de la temperatura. Ajuste termostato hasta ciclos de calentadora en téh deseó la colocación.

Nota: Si empezando calentadora para la primera vez, usted puede necesitar preparar la bomba. Si equipado, abre levemente válvula de tipo de bomba para permitir aire para escapar. Cierre rápidamente válvula una vez combustible se ve. Limpie cualquier combustible del exceso. Si equipado con el filtro del combustible del bote, quita el fondo del bote y llena del combustible. Reasamble el filtro. Limpie cualquier combustible del exceso. Usted tendrá que hacer también esto después de tomar calentador fuera de almacenamiento.

Requisito de Tamaño del Cordón de Extensión

Longitud de Cordón:	Cordón Valorado:
Hasta 100 pies (30.48 m)	14 AWG
101 a 200 pies (30.78 a 60.96 m)	12 AWG
201 a 300 pies (61.26 a 91.44 m)	10 AWG
301 a 400 pies (91.74 a 121.92 m)	8 AWG
401 a 500 pies (122.22 a 152.40 m)	6 AWG

(Fig. 1)



(Fig. 2)

FUNCIONAMIENTO (CONTINUACIÓN)

PARE CALENTADOR:



PRECAUCION: NUNCA QUITA CALENTADORA MIENTRAS CALENTADORA OPERA. EL CALENTADOR DEBE ATRAVESAR EL CICLO DE PURGA. EL CICLO DE PURGA ENFRIA LA CAMARA DE COMBUSTION. EL DAÑO AL CALENTADOR PUEDE OCURRIR SI LA CAMARA DE LA COMBUSTION NO SE ENFRIA. NO VUELVA A ENCENDER CALENTADOR HASTA QUE EL CICLO DE PURGA SEA COMPLETO.

1. Gire dial de termostato a la colocación más baja de la temperatura. Este causará que la llama de calentadora salga. El motor continuará operar durante el ciclo de purga. Este permite el ventilador para enfriar la cámara de la combustión. Cuando el ciclo de purga se termina, el motor parará. No quite calentador hasta que el ciclo de purga se termine.
2. Quite cordón de extensión de la salida.
3. Para parar temporalmente calentador, termostato fijo en un bajar de la temperatura que aire alrededor de calentador. El calentador volverá de ciclo si la temperatura de aire alrededor de calentadora empareja la colocación de termostato.

PARA VOLVER A ENCENDER CALENTADOR:



PRECAUCION: NO VUELVA A ENCENDER CALENTADOR HASTA QUE EL CICLO DE PURGA SEA COMPLETO. EL CICLO DE PURGA ENFRIA LA CAMARA DE COMBUSTION.

1. Espere hasta el ciclo de purga se termina después de parar calentador.
2. Repita los pasos abajo "Empezar el Calentador."

Localización de Fallas



ADVERTENCIA: NUNCA REALICE REPARACIONES AL CALENTADOR MIENTRAS ESTÉ CONECTADO, EN FUNCIONAMIENTO O CALIENTE. PUEDEN OCURRIR QUEMADURAS GRAVES Y CHOQUES ELÉCTRICOS.

Condición de falla	Causa Posible	Remedio
El motor no empieza cuándo calentador se conecta y la colocación de termostato es la temperatura de aire más alto que circundante.	Ningún poder ni el voltaje bajo en calentador debido a:	
	a. Cordón de corriente o cordón de extensión tiene daño.	a. Revise condición de cordón de corriente o cordón de extensión. Repare o reemplace si hay daño.
	b. Tamaño equivocada de cordón de extensión.	b. Use cordón de extensión con tamaño correcto de alambre (vea Empiece Calentador).
	c. El calentador tapó en la salida con voltaje más bajo que 120 voltio.	c. Asegurese que calentador está tapado en salida de 120 Voltios/ 60 hertz.
	Conexiones aflojadas de eléctricas.	Revise conexiones. Aprete si aflojes.
	El protector de la sobrecarga de motor tropezó debido a:	
	a. Ventilador es sucio.	a. Vea " Mantenimiento: Palas de Ventilador y Deflectores de Aire."
	b. Los escombros tiraron en el área de ventilador por ventilador.	b. Quite escombros de ventilador y área de guardia.
	c. Bomba Atada.	c. Doble ventilador por mano. Si es difícil para doblar, vea "Mantenimiento: Bomba."
	d. Voltaje bajo.	d. Siga pasos de cordón de extensión que da en una lista más arriba (a y b).
		<i>Nota: Asegurese que reprogramar el protector de descarga de motor como apretando botón de reprogramar en el arriba de motor.</i>
El control de llamea-fuera no repone.		Aprete y suelte botón de reprogramar el control de llama-afuera.
Dañado de control de llama-fuera.		Reemplace control de llama-afuera.
Dañado de Transmitir de poder.		Reemplace transmitir de poder.
Dañado de Termostato.		Reemplace termostato.
Bomba pegada.		Doble ventilador por mano. Si es difícil para doblar el ventilador, vea "Mantenimiento: Bomba."



ADVERTENCIA: NUNCA REALICE REPARACIONES AL CALENTADOR MIENTRAS ESTÉ CONECTADO, EN FUNCIONAMIENTO O CALIENTE. PUEDEN OCURRIR QUEMADURAS GRAVES Y CHOQUES ELÉCTRICOS.

Condición de falla	Causa Posible	Remedio
Calentador no ignitará, pero motor opera por un espacio corto de tiempo.	El tanque de combustible es vacío.	Agregue el combustible al tanque.
	Agua en Combustible.	Revise el tanque de combustible para las burbujas de agua en el fondo. Si encontró, quita el combustible (vea : Almacenamiento). Limpie tanque y filtros de combustible (vea Mantenimiento: Filtros de Combustible.) Llene con combustible correcto.
	Combustible Equivocado	Quite combustible equivocado (vea: Almacenamiento). Limpie tanque y filtros de combustible vea : Mantenimiento: Filtros de Combustible). Llene con combustible correcto.
	Escombos en Boquilla	Reemplace boquilla (vea: Mantenimiento: Boquilla).
	Temperaturas muy bajas pueden causar el combustible para espesar y no fluir.	Mueva calentador a lugar más caliente hasta el combustible fluje libremente.
	Filtros Sucios de Combustible.	Limpie filtros de combustible (vea Mantenimiento: Filtros de Combustible).
	Presión de Bomba equivocada.	Ajuste presión de bomba (vea Mantenimiento: Ajustado de Presión de Bomba).
	Alambre de chispero no se conecta a tapa.	Conecte alambre de chispero a chispero.
	Problemas de Chispero debido a : a. área equivocada b. Tapa está mojada con combustible. c. Depositos de carbono en tapa. d. Daño a tapa.	a. Ajuste área de electrodo a 0.075” (vea Mantenimiento: Chispero). b. Limpie combustible de chispero con tela limpia y suave. c. Reemplace tapa si tiene mucho carbono (vea Mantenimiento: Chispero). d. Inspecte tapa por electrodos gastados o erosionados. Si encuentre, reemplace tapa (vea Mantenimiento: Chispero).
	Válvula de Solenoid no abrirá.	Revise conexiones eléctricos y voltaje a solenoid. Si bueno, reemplace válvula de solenoid.
	ADVERTENCIA: ¡VOLTAJE ALTA!	
El ignitor electrónico dañado.	Reemplace ignitor electrónico.	

⚠ ADVERTENCIA: NUNCA REALICE REPARACIONES AL CALENTADOR MIENTRAS ESTÉ CONECTADO, EN FUNCIONAMIENTO O CALIENTE. PUEDEN OCURRIR QUEMADURAS GRAVES Y CHOQUES ELÉCTRICOS.

Condición de falla	Causa Posible	Remedio
El calentador ignita, pero control de llama-fuera apague el calentador después de un tiempo corto.	Presión de Bomba equivocada.	Ajuste presión de bomba (vea Mantenimiento: Ajustado de Presión de Bomba).
	Filtros Sucios de Combustible.	Limpie filtros de combustible (vea Mantenimiento: Filtros de Combustible).
	Escombos en Boquilla	Reemplace boquilla (vea: Mantenimiento: Boquilla).
	Lentes de fotocelda sucios.	Limpie lentes de fotocelda con bastoncillo limpie de algodón.
	Fotocelda abierta o dañada.	Reemplace lentes de fotocelda.
	Control de Llama-Fuera Malo	Reemplace control del llama-fuera.
	Interruptor dañado del ventilador.	Reemplace interruptor de ventilador.
Calentador quema, pero los soplos del humo se pueden ver. El calentador no quema constante. El calentador quema con el olor. El calentador fuma continuamente.	Presión de Bomba equivocada.	Ajuste presión de bomba (vea Mantenimiento: Ajustado de Presión de Bomba).
	Calentador no tiene mucho combustible	Agregue combustible al tanque
	Condensación de agua en tanque de combustible	Revise el tanque de combustible para las burbujas de agua en el fondo. Si encontró, quita el combustible (vea : Almacenamiento). Limpie tanque y filtros de combustible (vea Mantenimiento: Filtros de Combustible.) Llene con combustible correcto.
	Combustible Equivocado	Quite combustible equivocado (vea: Almacenamiento). Limpie tanque y filtros de combustible vea : Mantenimiento: Filtros de Combustible). Llene con combustible correcto.
	Filtros Sucios de Combustible.	Limpie filtros de combustible (vea Mantenimiento: Filtros de Combustible).
	Agujero de Aire en sistema de succión	Aprete todas conexiones de linea de combustible (vea Mantenimiento: Lineas de Combustible).
	Boquilla sucia	Reemplace boquilla (vea: Mantenimiento: Boquilla).
	Voltaje bajo que causar el motor operar abajo de velocidad valorada.	Revise el voltaje a calentador. Voltaje a calentador no debe ser menos de 90% de voltaje valorado (108V mínimo para 120V calentadores).
	Linea de Combustible afloje.	Revise y Aprete todas conexiones de linea de combustible (vea Mantenimiento: Lineas de Combustible).

Servicio

MANTENIMIENTO

EL HORARIO DE MANTENIMIENTO PREVENTIVO:



ADVERTENCIA: VOLTAJE ALTO. NUNCA HAGA SERVICIO AL CALENTADOR MIENTRAS SE CONECTA, OPERAR, NI CALIENTE. LAS QUEMADURAS SEVERAS Y GOLPE ELECTRICO PUEDEN OCURRIR.

Artículo	Con qué Frecuencia	Cómo a
Tanque de Combustible	Tire cada 150-200 horas de operación o como necesitado.	Vea "Almacenamiento".
Pantalla de Cuello de Filtro	Revise para partículas en el combustible al llenar el tanque de combustible. Limpie cuando sucio.	Levante fuera de tanque de combustible y limpie con keroseno limpio.
Asamblea de Filtro de Combustible (Tanque de Combustible)	Limpie dos veces en una estación de calentado o reemplace con necesitado.	Vea : "Mantenimiento: Filtros de Combustible"
Lineas de Filtro de Combustible	Revise y aprete ocasionalmente conexiones aflojados.	Vea : "Mantenimiento: Filtros de Combustible"
Filtro de Combustible (En Bomba o bote externo)	Limpie elemento de filtro de combustible cada 250 horas.	Vea : "Mantenimiento: Filtros de Combustible"
Chispero	Limpie y revise cada 300 horas de operación o reemplace como necesitado.	Vea" Mantenimiento: Chispero".
Palas de Ventilador y Deflectores de Aire	Limpie cada estación o como necesitado.	Vea " Mantenimiento: Palas de Ventilador y Deflectores de Aire".
Los Pasajes aéreos alrededor de Cabeza de Quemador	Revise cada estación para suciedad y escombros.	Quite con escombros y suciedad con una tela suave y limpie.
Motor	No es requerido, permanentemente lubricado.	

MANTENIMIENTO:



ADVERTENCIA: PARA QUITAR EL RIESGO DE QUEMADURAS Y DESCARGA ELECTRICA, NUNCA TRATE A DAR SERVICIO A CALENTADOR MIENTRAS SE TAPADO, FUNCIONANDO, O CALIENTE.

MANTENGA EL CALENTADOR LIBRE DE O SIN DE MATERIAS COMBUSTIBLES, GASOLINA, Y OTROS VAPORES Y LIQUIDOS FLAMMABLES.

NO BLOQUEE EL FLUJO DE COMBUSTIÓN O AIRE DE VENTILACIÓN.

1. Mantenga calentador limpio. Limpie calentador anualmente o como necesario para quitar polvo y escombros. Si calentador está sucio o tiene escombros, limpie calentador con tela mojada. Use limpiadores de casa en mangas difíciles.
2. Inspecte calentador antes de cada uso.
3. Tiene que inspeccionar calentador cada año por una agencia calificada de servicio.
4. Mantenga adentro de calentador libre y sin de objetos extranjeros y combustibles. Quite motor y otros partes interior si es necesario para limpiar el adentro de calentador.
5. Limpie palas de ventilador cada estación o como es necesario.

MANTENIMIENTO (CONTINUACIÓN):

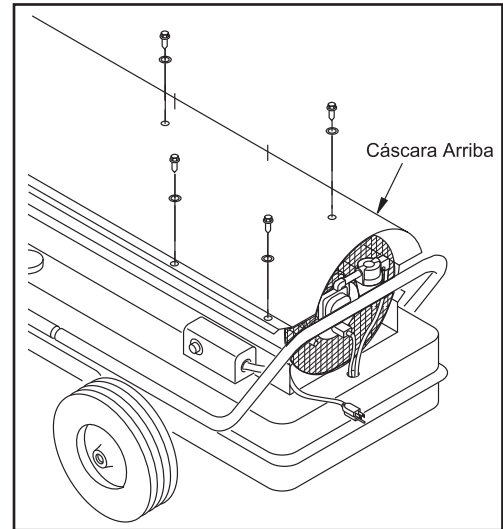


ADVERTENCIA: NUNCA REPARAR CALENTADOR MIENTRAS ESTÁ TAPADO, CONECTADO A SUMINISTRO DE PROPANO /L.P., OPERANDO O CALIENTE. QUEMADURAS SERIAS Y GOLPE DE CORRIENTE PUEDE OCURRIR.

SOLO UNA PERSONA CALIFICADA DE SERVICIO DEBE ATENDER A Y PARA DEBER REPARAR CALENTADOR.

ELIMINACION DE CASCARA ARRIBA:

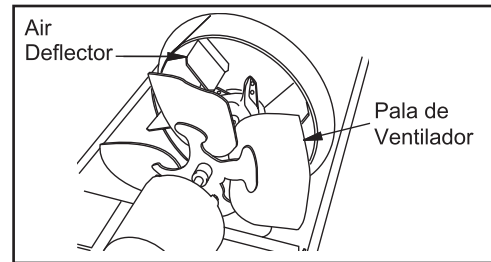
1. Quite tornillos que están en cada lado de calentador usando conductor de tuerca de 5/16". Estos tornillos sujetan arriba y abajo cáscaras en juntos. (Fig 3)
2. Levante o resbale cáscara arriba afuera.



(Fig. 3)

PALAS DE VENTILADOR Y DEFLECTORES DE AIRE:

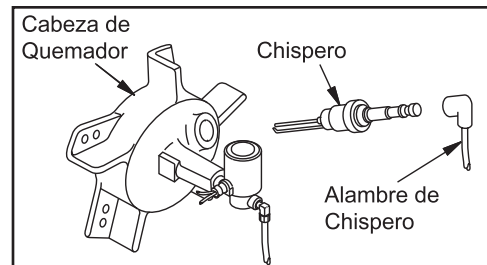
1. Quite cáscara arriba. (vea Mantenimiento: Eliminación de Cáscara Arriba).
2. Limpie palas de ventilador y deflectores de aire con una tela suave y mojada con kerosene o solvento. (Fig 4)
3. Seque palas de ventilador y deflectores de aire completamente.
4. Reemplace cáscara arriba.



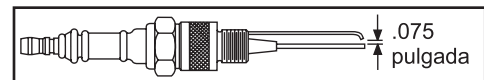
(Fig. 4)

CHISPERO:

1. Quite cáscara arriba. (vea Mantenimiento: Eliminación de Cáscara Arriba).
2. Quite alambre de chispero de chispero (Fig 5).
3. Quite chipero de cabeza de quemador usando 13/16" tirón de punta final – abierto. (Fig 5)
4. Reemplace chispero si hay daño o cubierta pesadamente con carbón.
5. Limpie y revise y ponga electrodos de chispero a .075 pulgada (Fig. 6).
6. Instale chispero en cabeza de quemador.
7. Sujete alambre de chispero a chispero.
8. Reemplace cáscara arriba.



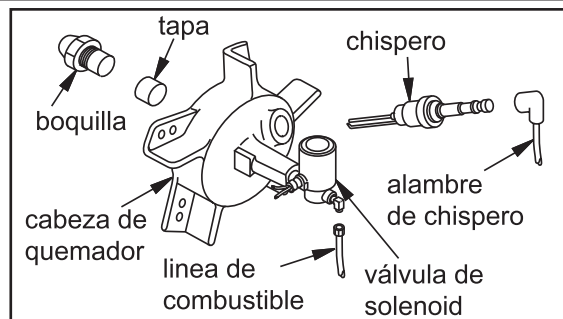
(Fig. 5)



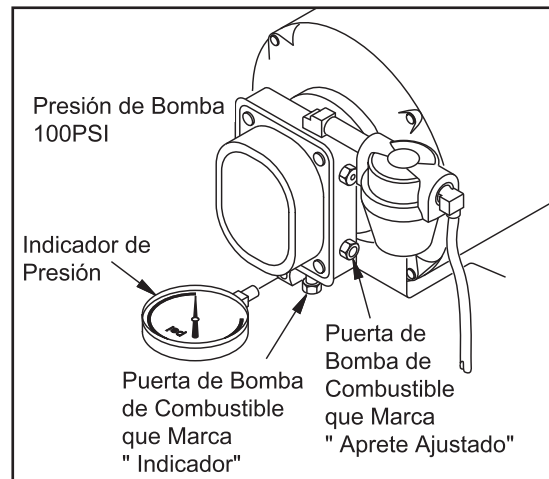
(Fig. 6)

BOQUILLA:

1. Quite cáscara arriba. (vea Mantenimiento: Eliminación de Cáscara Arriba).
2. Quite línea de combustible de válvula de solenoid usando un tirón de 7/16".
3. Quite alambre de chispero de chispero.
4. Quite chispero de cabeza de quemador usando un 13/16" tirón de punta final-abierta.
5. Quite cinco tornillos usando un conductor de tuerca de 5/16" y quite cabeza de quemador de cámara de combustión.
6. Ponga cabeza de quemador entre tornillo de banco aprete con ligremente.
7. Con cuidado, quite boquilla de cabeza de quemador usando un llave de tubo de 5/8" (Fig 7).
8. Inspekte boquilla para daño. Si hay daño o atascado, reemplace boquilla.
9. Asegure que tapa esté en lugar en cabeza de quemador.
10. Reemplace boquilla entre cabeza de quemador y aprete con fuerza (175-200 pulgadas-libras).
11. Sujete cabeza de quemador a cámara de combustión.
12. Instale chispero a cabeza de quemador.
13. Sujete alambre de chispero a chispero.
14. Sujete línea de combustible a válvula de solenoid. Apreté con fuerza.
15. Reemplace cáscara arriba.



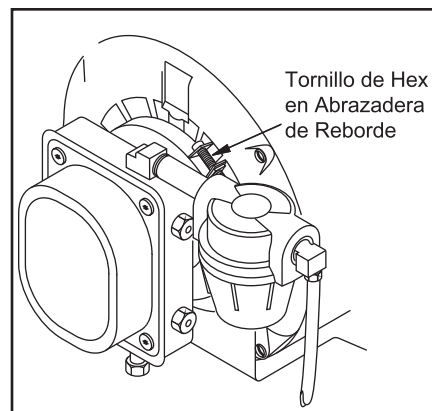
(Fig. 7)



(Fig. 8)

AJUSTADO DE PRESION DE BOMBA:

1. Quite tapa de indicador de presión de puerta de bomba de combustible que marca "Indicador."
2. Instale indicador de combustible a puerta de bomba de combustible que marca "Indicador" (Fig. 8)
3. Arranque el calentador. Permite motor a alcanzar a toda velocidad.
4. Ajuste presión. Use un destornillar de pala plano para doblar tornillo a puerta ajustando de bomba de combustible. Doble tornillo en el sentido de las agujas del reloj para aumentar presión. Doble tornillo en contrario al sentido de las agujas del reloj para disminuir presión. Vea especificaciones en Figura 8 para presión correcta para cada modelo.
5. Pare calentador.
6. Quite indicador de presión. Reemplace tapa de indicador de presión en bomba de combustible que marca "Indicador."

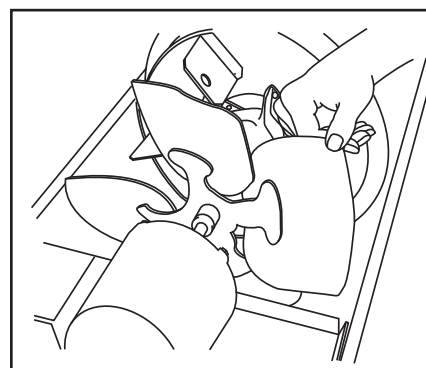


(Fig. 9)

BOMBA:

El procedimiento si Bomba Está Atando

1. Quite cáscara arriba. (vea Mantenimiento: Eliminación de Cáscara Arriba).
2. Afloje el tornillo de hex en la abrazadera de reborde en trasero del motor con conductor de tuerca de 5/16". (Fig. 9)
3. Doble ventilador con mano. (Fig 10)
4. Si ventilador dobla libremente, aprete tornillo en abrazadera de reborde.
5. Si ventilador no dobla libremente, reemplace bomba.
6. Reemplace cáscara arriba.

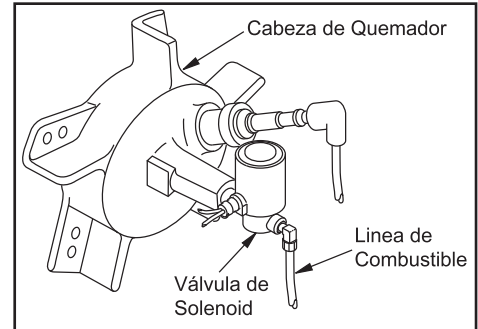


(Fig. 10)

LINEAS DE COMBUSTIBLE:

(Procedimiento para Apretando Lineas de Combustible)

1. Quite cáscara arriba. (vea Mantenimiento: Eliminación de Cáscara Arriba).
2. Use un tirón ajustable como un apoyo de instalaciones.
3. Use un tirón de 7/16 " y aprete líneas de combustible a válvula de solenoid, bomba, y bote de filtro de combustible (si equipado) (Fig 11 y 12).

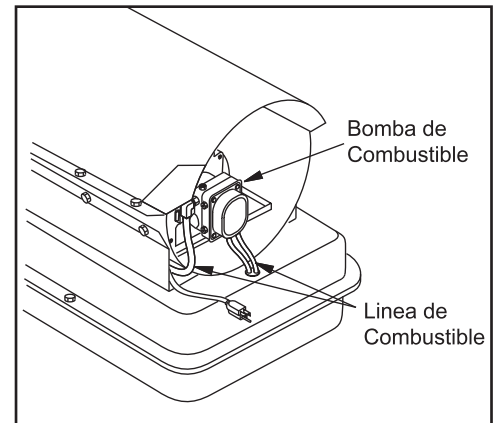


(Fig. 11)

FILTROS DE COMBUSTIBLE:

Filtro de Combustible de Tanque

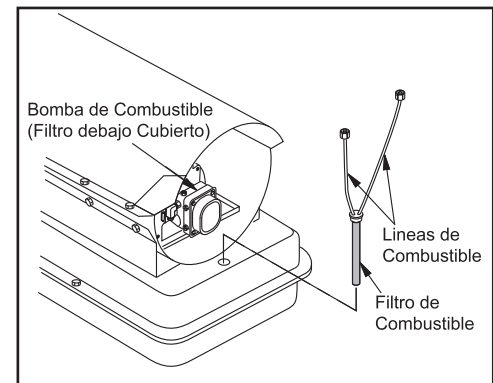
1. Desconecte líneas de combustible de bomba y bote de filtro de combustible (si equipado) con tirón de 7/16" (Fig. 13 y 14).
2. Con cuidado, mueva filtro de combustible afloje y afuera de tanque de combustible on punto final plano de destornillar.
3. Inspekte filtro de combustible para agua o suciedad.
4. Aclare filtro de combustible y líneas de combustible con kerosene limpie.
5. Reemplace filtro de combustible entre tanque de combustible.
6. Conecte líneas de combustible a bomba y bote de filtro de combustible (si equipado).



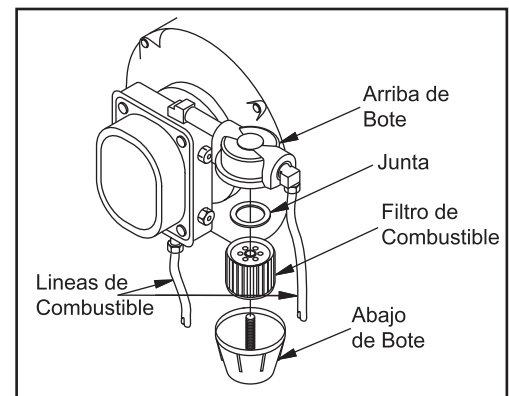
(Fig. 12)

Filtro / Bote Externo a Bomba

1. Destornille abajo de bote de arriba de bote con alicates ajustables.
2. Quite filtro de combustible y junta de abajo de bote (Fig 14).
3. Inspekte abajo de bote y filtro de combustible para gotitas de agua o suciedad.
4. Aclare abajo de bote en kerosene limpie.
5. Limpie adentro de abajo de bote con tela limpia.
6. Aclare filtro de combustible con kerosene limpie.
7. Vuelve filtro limpie de combustible y junta limpia al abajo de bote.
8. Tornille abajo de bote entre arriba del bote.
9. Apretete seguramente. Revise para agujeros.



(Fig. 13)



(Fig. 14)

Almacenamiento

ALMACENAMIENTO:

Nota: Si enviando, las compañías del transporte requieren que tanques son vacíos.

1. Desague todo combustible de líneas de combustible y bomba/filtro (vea Mantenimiento: Filtros de Combustible).
2. Limpie y tire filtro de combustible en bomba de combustible si equipado (vea Mantenimiento: Filtros de Combustible).
3. Quite tapa de sumidero y desague tanque de combustible.
4. Reemplace tapa de sumidero.
5. Si hay algo escombros en combustible viejo, agregue 1 o 2 cuartos de galón de kerosene limpie al tanque, mezcle y desague otra vez. Este prevendrá escombros de exceso de atascar los filtros durante el uso futuro.
6. Reemplace cubierta de combustible o tapa de sumidero. Deshágase apropiadamente del combustible viejo y sucio. Verifique con gasolineras automotoras locales que reciclan el aceite.
7. Agregue dos galones de kerosene limpie o aceite de combustible #1 al tanque de combustible.
8. Reemplace cubierta de combustible.
9. Opere calentador por 5 minutos (vea Operación).
10. Pare calentador y permite enfriarse completamente.
11. Quite tapa de sumidero y desague tanque de combustible.
12. Reemplace tapa de sumidero.
13. Deshágase apropiadamente del combustible viejo y sucio.
14. Si almacenando, almacene calentador en una ubicación seca. Asegure que el lugar de almacenamiento es libre de polvo y vapores corrosivos.

IMPORTANTE: No almacene kerosene en los meses del verano para uso durante la estación próximo de calentando. Usando del combustible viejo puede dañar el calentador.

Especificaciones

ARTÍCULO	ESPECIFICACIÓN
Tamaño de Modelo	AC-350
Clase de Salida (BTU / Hr)	350,000
Combustible	Utilice solamente el keroseno o el fuel-oil #1
Capacidad del Depósito de Combustible	30 Gallons / 113.5 Liters
Consumpción de Combustible (Gal Cada Hora/ Litros Cada Hora)	2.25 / 8.51
Presión de Bomba de Combustible	100 PSI
Motor	1725 RPM
Entrada de Eléctrica	115V / 60Hz
Amperios (Corriente Normal)	7.1
Boquete del enchufe de chispa	0.075"
Peso de Calentador (Libras / Kilogramos Aproximados)	180 / 81.6
Peso de Calentador (Libras / Kilogramos Aproximados)	390 / 176.9

ANOTE NÚMERO SERIE

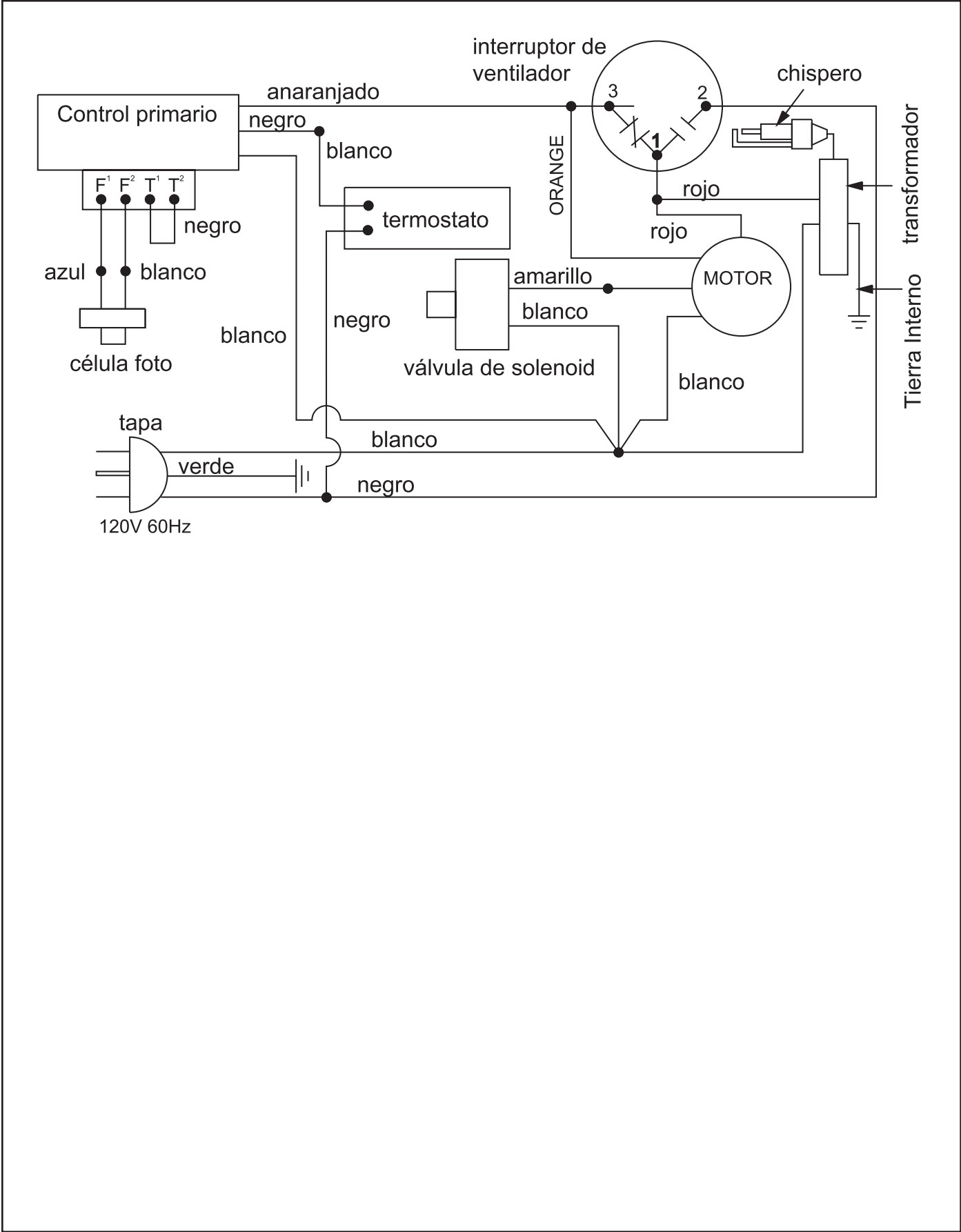
Escriba número de modelo, numero serie de máquina (vea etiqueta de número serie (A) en ilustración y fecha de compra en espacios abajo. Su concesario necesita esta información cuando ordenando partes.

Num. de modelo _____

Num. serie de máquina _____

Fecha de compra _____
(llene de comprador)

Diagrama de Alambre



DECLARACIÓN DE GARANTÍA

John Deere garantiza que todas las piezas (excepto aquellas a las que se hace referencia abajo), de su nueva calentador libres de defectos en materiales y mano de obra durante los periodos siguientes:

Por uno (1) año a partir de la fecha original de compra.

Las piezas defectuosas que no están sujetas a deterioro causado por el uso serán reparadas o reemplazadas a nuestra opción durante el periodo de garantía. En todo caso, el reembolso está limitado al precio de compra pagado.

EXCLUSIONES

1. Esta garantía no cubre las piezas que son dañadas debido al desgaste normal, aplicación incorrecta, uso erróneo, operación en otro que recomendado. La falta de seguir funcionar recomendado y los procedimientos de mantenimiento anular la garantía también.
2. El uso de otras piezas de reparación genuinas del fabricante anulará la garantía.
3. La garantía será vacío si está utilizada en cualquiera uso con excepción de consumidor/ dueño de casa. Las piezas vueltas, pagado por adelantado a nuestra fábrica o a un centro de servicio autorizado de John Deere serán examinadas y reemplacen gratuitamente si estan encontradas para ser defectuosas y conforme a garantía. No hay garantías que extienden más de la descripción de la cara de esto. Debajo de ningunas circunstancias el fabricante tendrá algo responsibilidad de perdida de uso de la unidad, la perdida de tiempo o de alquiler, la inconveniencia, la perdida comercial o los daños consecuentes.

PARA SERVICIO O CONSIDERACION DE LA GARANTIA CONSULTE CON:
Mi-T-M® Corporation/8650 Enterprise Drive, Box 50/Peosta, IA 52068-0050
Telefono: 1-877-JD-KLEEN / (1-877-535-5336) Fax: 563-556-1235
Lunes - Viernes 8:00 a.m. - 5:00 p.m. CST



Form #37-0878-071805
117224-01A



Manufactured for Deere & Company
Moline, Illinois 61265
Space Heaters Operator's Manual

Free Manuals Download Website

<http://myh66.com>

<http://usermanuals.us>

<http://www.somanuals.com>

<http://www.4manuals.cc>

<http://www.manual-lib.com>

<http://www.404manual.com>

<http://www.luxmanual.com>

<http://aubethermostatmanual.com>

Golf course search by state

<http://golfingnear.com>

Email search by domain

<http://emailbydomain.com>

Auto manuals search

<http://auto.somanuals.com>

TV manuals search

<http://tv.somanuals.com>