

T70, T115, and T165 Portable Space Heaters



JOHN DEERE

OPERATOR'S MANUAL



FBL 156262

John Deere Merchandise Division
OMTY25047 Issue Nov-00
LITHO IN U.S.A.
ENGLISH/FRENCH

Introduction

THANK YOU for purchasing a John Deere product.

READ THIS MANUAL carefully to learn how to operate and service your machine correctly. Failure to do so could result in personal injury or equipment damage.

THIS MANUAL SHOULD BE CONSIDERED a permanent part of your machine and should remain with the machine when you sell it.

MEASUREMENTS in this manual are given in both metric and customary U.S. unit equivalents. Use only correct replacement parts and fasteners. Metric and inch fasteners may require a specific metric or inch wrench.

RIGHT-HAND AND LEFT-HAND sides are determined by facing in the direction the machine or implement will travel when going forward.

WRITE PRODUCT IDENTIFICATION NUMBERS (P.I.N.) in *Serial Number Identification*, page 25.

Accurately record all the numbers to help in tracing the machine should it be stolen. Your dealer also needs these numbers when you order parts. File the identification numbers in a secure place off the machine.

WARRANTY is provided as part of John Deere's support program for customers who operate and maintain their equipment as described in this manual. The warranty is explained on the warranty certificate which you should have received from your dealer.

This warranty provides you the assurance that John Deere will back its products where defects appear within the warranty period. In some circumstances, John Deere also provides field improvements, often without charge to the customer, even if the product is out of warranty. Should the equipment be abused, or modified to change its performance beyond the original factory specifications, the warranty will become void and field improvements may be denied. Setting fuel delivery above specifications or otherwise overpowering machines will result in such action.

Contents

	Page
Safety	1
Operation	
Electrical Supply	7
Filling Fuel Tank	8
Extension Cords	9
Ventilation	9
Starting Heater	10
Heater Operation	11
Stopping the Heater	11
To Restart Heater	11
Troubleshooting	12
Periodic Service	
Additional Service Information	13
Using Service Records	13
Service Intervals	
150 Hours	13
250 Hours	13
500 Hours	14
Yearly	14
Draining Fuel Tank	14
Cleaning Flame Sensor	15
Cleaning Air Intake Filter	15
Replacing Fuse	16
Cleaning Fan	16
Cleaning Fuel Nozzle	17
Fuel and Air Line Replacement and Proper Routing	18
Cleaning Fuel Filter	19
Storage Location and Maintenance	20
Assembly	
Unpack Components	21
Installing Nose Cone Guard	21
Attaching Wheels and Axle	22
Attaching Heater and Handles	23
Specifications	24
Serial Number Identification	25

All information, illustrations and specifications in this manual are based on the latest information available at the time of publication. The right is reserved to make changes at any time without notice.

Safety

RECOGNIZE SAFETY INFORMATION

This is the safety-alert symbol. When you see this symbol on your machine or in this manual, be alert to the potential for personal injury.

Follow recommended precautions and safe operating practices.



UNDERSTAND SIGNAL WORDS

A signal word —DANGER, WARNING, or CAUTION— is used with the safety-alert symbol. DANGER identifies the most serious hazards.

DANGER or WARNING safety signs are located near specific hazards. General precautions are listed on CAUTION safety signs. CAUTION also calls attention to safety messages in this manual.



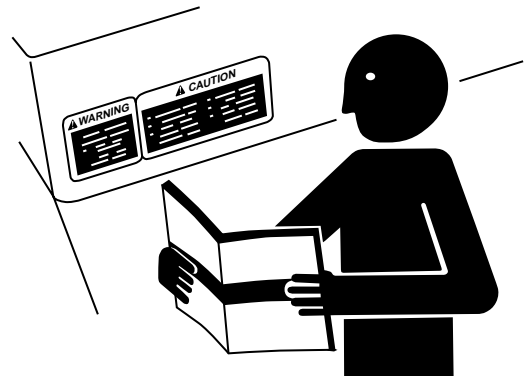
FOLLOW SAFETY INSTRUCTIONS

Carefully read all safety messages in this manual and on your machine safety signs. Keep safety signs in good condition. Replace missing or damaged safety signs. Be sure new equipment components and repair parts include the current safety signs. Replacement safety signs are available from your John Deere dealer.

Learn how to operate the machine and how to use controls properly. Do not let anyone operate without instruction.

Keep your machine in proper working condition. Unauthorized modifications to the machine may impair the function and/or safety and affect machine life.


If you do not understand any part of this manual and need assistance, contact your John Deere dealer.





SAFETY INFORMATION

WARNINGS

 **WARNING: This product contains and/or generates chemicals known to the State of California to cause cancer or birth defects, or other reproductive harm.**

IMPORTANT: Read this owner's manual carefully and completely before trying to assemble, operate, or service this heater. Improper use of this heater can cause serious injury or death from burns, fire, explosion, electrical shock, and carbon monoxide poisoning.

DANGER

Carbon monoxide poisoning may lead to death!

Early signs of carbon monoxide poisoning resemble the flu, with headaches, dizziness, and/or nausea. If you have these signs, the heater may not be working properly. **Get fresh air at once!** Have heater serviced. Some people are more affected by carbon monoxide than others. These include pregnant women, persons with heart or lung disease or anemia, those under the influence of alcohol, and those at high altitudes.

Make certain you read and understand all warnings. Keep this manual for reference. It is your guide to safe and proper operation of this heater.

- Use only kerosene or No. 1 fuel oil.
- Use only the electrical voltage and frequency specified on model plate.
- Heater must be grounded. Use only a properly grounded three-wire extension cord. Plug into grounded outlet only.
- Use only in areas free of flammable vapors or high dust content.
- Minimum clearances from any combustible materials: 8 feet (244 cm) from hot air outlet; 6 feet (183 cm) from top; and 4 feet (122 cm) from sides and inlet.

- Locate heater on a stable and level surface while hot or operating or a fire may occur.
- Use only in well-vented areas. Provide ventilation of at least three-square-feet (2,800 cm) for each 100,000 Btu/Hr (29.3 kW) of rating.
- Keep children and animals away from heater at all times.
- Never start heater when combustion chamber is hot or if fuel has accumulated in combustion chamber.
- Heater is equipped with a thermostat, heater may start anytime.
- When heater is moved or stored, it must be in a level position or fuel spillage may occur.
- Use heater only in accordance with local ordinances and codes.
- Never use gasoline, crankcase drainings, naphtha, paint thinners, alcohol, or other highly flammable fuels.
- Never use heater where gasoline, paint thinner, or other highly flammable vapors are present.
- Never use heater in living or sleeping areas.
- Never leave a heater plugged in without adult supervision if children or animals are likely to be present.
- Never move, handle, refuel, or service a hot, operating, or plugged-in heater.
- Never block air inlet (rear) or air outlet (front) of heater.
- Never attach duct work to front or rear of heater.
- Never attach heater to external fuel tank.



HANDLE FLUIDS SAFELY - AVOID FIRES

When you work around fuel, do not smoke or work near heaters or other fire hazards.

Store flammable fluids away from fire hazards. Do not incinerate or puncture pressurized containers.

Make sure machine is clean of trash, grease, and debris.

Do not store oily rags; they can ignite and burn spontaneously.



HANDLE FUEL SAFELY

The heater is designed to operate on kerosene or No. 1 fuel oil only. DO NOT use diesel fuel, No. 2 fuel oil, gasoline, crank case drainings, naphtha, paint thinner, alcohol, or other highly volatile fuels.

Toxic fumes could be created by using non-recommended fuels.

Do not add fuel to heater while it is hot, operating, or plugged in. Use only recommended fuel.

Do not smoke while refueling heater.

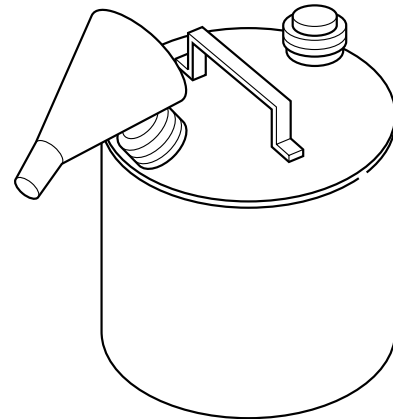
Avoid spilling fuel. Do not overfill fuel tank.

Wipe up any spilled fuel after refueling.

Move away from fueling area before operating heater.

Store in a level position when filled or fuel leakage may occur.

Do not use heater in the presence of flammable vapors such as paint, fuel, certain cleaning solvents, or high dust content.



IMPORTANT: Use a KEROSENE ONLY storage container. Be sure storage container is clean. Foreign matter such as rust, dirt, or water will cause the ignition control assembly to shut down the heater. Foreign matter may also require you to clean fuel system often.

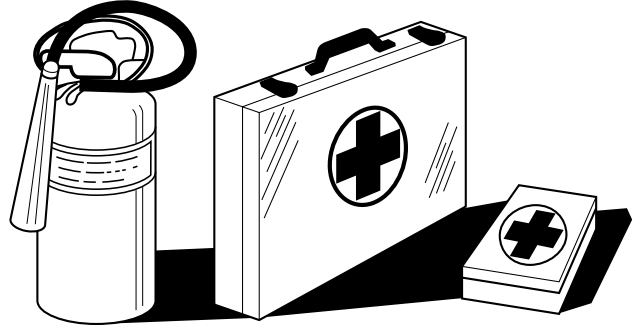


PREPARE FOR EMERGENCIES

Be prepared if a fire starts.

Keep a first aid kit and fire extinguisher handy.

Keep emergency numbers for doctors, ambulance service, hospital, and fire department near your telephone.



RESPECT ELECTRICITY

Make certain heater is properly grounded. Extension cord must be a 3-wire grounded cord and is of proper wire size for the length. Extension cord must be at least six feet (1.8 meters) long.

Make certain the connection between the power cord and the extension cord is not exposed to water.

Disconnect electrical plug before servicing or relocating heater.

Use heater only with 120-volt, AC, 60-hertz power source.

Use only on a fused circuit of proper voltage and frequency that is capable of handling the load.



CAUTION **ATTENTION**

- Improper use of this heater can cause serious injury or death from burns, fire, explosion, electrical shock, and carbon monoxide poisoning.
- Use only kerosene or No. 1 fuel oil to avoid risk of fire or explosion. Never use gasoline, kerosene, drainings, naphtha, paint thinners, alcohol, or other flammable liquids.
- Never use heater where gasoline, paint thinner, or other flammable vapors are present.
- Never use heater in areas with high dust content.
- Do not start heater when chamber is hot or if fuel has accumulated in chamber.
- Minimum heater clearances from combustible materials: Outlet: 8 FT.; Sides: 4 FT.; Top: 4 FT.; Rear: 4 FT.
- Heaters used in the vicinity of tarpaulins, canvas, or similar enclosure materials shall be located a safe distance from such materials. The recommended minimum safe distance is 10 feet. It is further recommended that these enclosure materials be of a fire retardant nature. These enclosure materials shall be securely fastened to prevent them from spilling or from opening heater due to wind action.
- Use only a three-prong grounded extension cord. Use only with the electrical voltage and frequency specified on model plate.
- Use only in well-ventilated areas. Provide at least a 3-square-foot opening of fresh outside air for each 100,000 BTU/hr of rating when running heater.
- Unplug heater when not in use.
- Never block air inlet (rear) or air outlet (front) of heater. Never attach duct work to front or rear of heater. Do not attach heater to external fuel tank.
- Locate heater on a stable and level surface while hot or running or if fire may occur.
- When moving or storing heater, keep heater in a level position or fuel spillage may occur.
- Never move, handle, refuel, or service a hot, operating, or plugged-in heater.
- Keep children and animals away from heater.
- Never use heater in living or sleeping areas.
- Follow all local ordinances and codes when using heater.

WARNING: This heater is equipped with a thermostat. Heater may start at any time.

ADVERTISSEMENT: (Cet appareil de chauffage est équipé d'un thermostat. Il risque de démarrer à tout moment.)



WARNING
ATTENTION

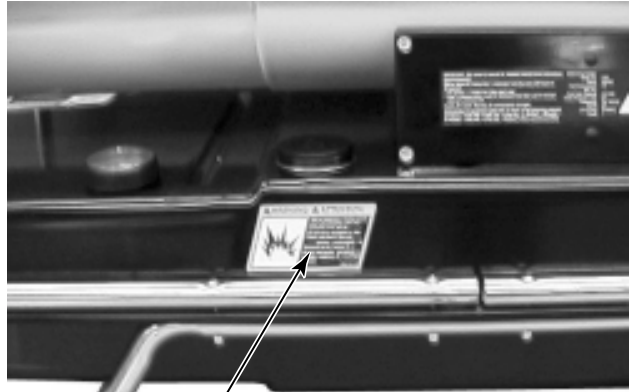
Risk of fire or burns. Heater may ignite any time power cord is plugged in. Unplug power cord if heater is unattended.
Risque de feu ou de brûlures. Le radiateur peut s'allumer n'importe quand lorsque le cordon est branché. Débrancher le cordon électrique lorsque le radiateur n'est pas surveillé.

WARNING
ATTENTION

Hot surfaces. Do not touch or move while burner is ignited or hot. Allow to cool and unplug heater before fueling.
Surfaces chaudes. ne pas toucher ou déplacer alors que le brûleur est allumé ou chaud. Laissez refroidir et débranchez le radiateur avant

098129-02





Model T115 and T165



Model T70



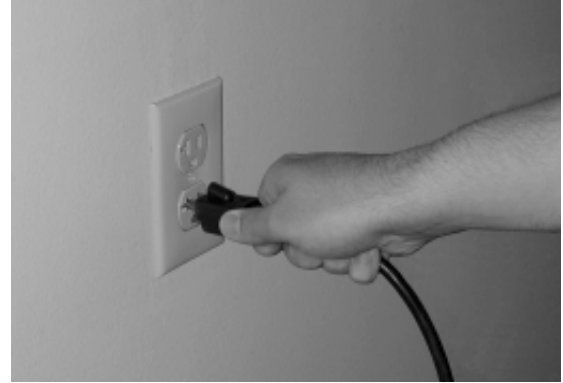
Operation

ELECTRICAL SUPPLY

⚠ CAUTION: If an additional electrical outlet is needed to operate your heater, it should be installed by a qualified electrician and the installation should conform to the applicable codes and governing requirements.

The heater requires a grounded 120-volt, 60-hertz receptacle for a power source. If necessary, use an appropriate grounding adapter to connect to a two-prong receptacle. Check heater amperage requirements in *Specifications*, page 24 .

IMPORTANT: DO NOT overload circuit.



FILLING FUEL TANK

⚠ CAUTION: DO NOT add fuel while the heater is hot or operating. DO NOT use diesel, No. 2 fuel oil, gasoline, crank case drainings, naphtha, paint thinner, alcohol, or other highly volatile fuels. Toxic fumes could be created by using non-recommended fuels.

Remove cap (A) from fuel tank and fill with kerosene or No. 1 fuel oil.

Do not use heavy fuels such as No. 2 fuel oil or No. 2 Diesel. Using heavy fuels will result in:

- clogged fuel filter and nozzle due to fuel gelling
- carbon build up on spark plug

Do not use No. 3 fuel oil or heavy oils such as crank case drainings. These heavy oils will not ignite properly and will contaminate the heater.

Fueling

- Personnel involved with fueling shall be qualified and thoroughly familiar with the manufacturer's instructions and applicable federal, state, and local regulations regarding the safe fueling of heating units.
- Only the type of fuel specified on the heater's data plate shall be used.
- All flame, including the pilot light, if any, shall be extinguished and the heater allowed to cool, prior to fueling.
- During fueling, all fuel lines and fuel-line connections shall be inspected for leaks. Any leaks shall be repaired prior to returning the heater to service.
- At no time shall more than one day's supply of heater fuel be stored inside a building in the vicinity of the heater. Bulk fuel storage shall be outside the structure.
- All fuel storage shall be located a minimum of 25 feet (7.62 m) from heaters, torches, welding equipment, and similar sources of ignition (exception: the fuel reservoir integral with the heater unit).
- Whenever possible, fuel storage shall be confined to areas where floor penetrations do not permit fuel to drip onto or be ignited by a fire at lower elevation.
- Fuel storage shall be in accordance with the federal, state, or local authority having jurisdiction.



EXTENSION CORDS

Plug heater's power cord into approved, grounded, three-wire extension cord. Extension cord must be at least six feet (1.8 meters) long.

Extension Cord Size Requirement

6 to 10 feet (1.8 to 3 meters) long, use 18 AWG (0.75 mm²) rated cord

11 to 100 feet (3.3 to 30.5 meters) long, use 16 AWG (1.0 mm²) rated cord

101 to 200 feet (30.8 to 61 meters) long, use 14 AWG (1.5 mm²) rated cord

VENTILATION

⚠ WARNING: Provide a fresh, outside air opening of at least three square feet (2,800 square cm) for each 100,000 Btu/Hr (29.3 kW) rating. Provide extra fresh air if more heaters are being used. The minimum ventilation requirements must be followed to avoid risks associated with carbon monoxide poisoning. Make certain these requirements are met prior to operating heater.

Example: A 165,000 Btu/Hr (48.35 kW) heater requires one of the following:

- a two-car garage door (16 feet [4.88 m] wide opening) raised four inches (10.16 cm)
- a single-car garage door (9 feet [2.74 m] wide opening) raised seven inches (17.78 cm)
- two, thirty inch (76.20 cm) windows raised twelve inches (30.48 cm)

STARTING HEATER

⚠ CAUTION: Observe the following:

- Provide a minimum of 3 square feet (0.28 m²) of ventilating area per 100,000 BTU (29.3 kW). If more than one heater is used, include equivalent ventilating area.
- Provide adequate clearance from people, animals, and combustible materials - 8 feet (2.4 m) from heater outlet; 6 feet (1.8 m) from top; 4 feet (1.2 m) from sides.
- Be sure there is no obstruction in intake or output openings.
- Be sure heater is on a level, stable surface.
- Depending on thermostat setting, heater can start immediately when power cord is connected.
- Be sure electrical circuit is adequate and properly grounded.
- Locate heater to provide maximum circulation of the heated air.

1. Turn thermostat knob clockwise to the high position.
2. Plug extension cord into standard 120 volt/60 hertz, 3-prong grounded outlet. *Note:* Ignitor will preheat for five seconds, then heater will start.
3. Adjust thermostat knob to the desired setting. *Note:* A cold heater may affect the thermostat setting. This thermostat is a general-heating control. It is not intended for precise temperature control. Adjust thermostat until heater cycles at the desired setting.

Note: If heater fails to start, refer to Troubleshooting, page 12.



HEATER OPERATION

The space heater will cycle on and off to maintain the temperature set at the thermostat. To determine a specific temperature, place a thermometer to the sides or rear of the heater 4 - 6 feet (1.2 - 1.8 m) above the floor.

STOPPING THE HEATER

1. Set thermostat to lowest setting. Heater will stop, but will start again when ambient temperature drops to that setting.
2. To completely stop the heater, disconnect the plug from the receptacle.



TO RESTART HEATER

1. Unplug extension cord from outlet and wait 10 seconds. (Wait two minutes if heater has been running.)
2. Repeat steps under *Starting Heater*, page 10.

Troubleshooting

DIAGNOSE MALFUNCTIONS

⚠ WARNING: Never service heater while it is plugged in, operating, or hot. Severe burns and electrical shock can occur.

Symptom

Problem

Solution

Motor does not start five seconds after heater is plugged in

No power to heater

Check circuit breaker in electrical panel

Thermostat setting is too low

Turn thermostat knob to a higher setting

⚠ WARNING: High voltage!

Bad electrical connection between motor and ignition control assembly or ignition control assembly and power cord

Check all electrical connections

Binding pump rotor

See your John Deere dealer

Defective ignition control assembly

See your John Deere dealer

Defective motor

See your John Deere dealer

Motor starts and runs but heater does not ignite

No fuel in tank

Fill tank with kerosene

Pump pressure incorrect

See your John Deere dealer

Dirty fuel filter

See *Cleaning Fuel Filter*, page 19

Obstruction in nozzle assembly

See *Cleaning Fuel Nozzle*, page 17

Water in fuel tank

Drain and flush fuel tank with clean kerosene. See *Storage Location and Maintenance*, page 20

⚠ WARNING: High voltage!

Bad electrical connection between ignitor and ignition control assembly

Check electrical connections

Defective ignitor

See your John Deere dealer

Defective ignition control assembly

See your John Deere dealer

Heater ignites but ignition control assembly shuts heater off after a short period of time

Pump pressure incorrect

See your John Deere dealer

Dirty air intake, air output, and/or lint filter

See your John Deere dealer

Dirty fuel filter

See *Cleaning Fuel Filter*, page 19

Obstruction in nozzle assembly

See *Cleaning Fuel Nozzle*, page 17

Photocell assembly not properly installed (not seeing the flame)

Make sure photocell boot is properly seated in bracket

Dirty flame sensor

See *Cleaning Flame Sensor*, page 15

⚠ WARNING: High voltage!

Bad electrical connection between photocell and ignition control assembly

Check electrical connections

Defective flame sensor

See your John Deere dealer

Defective ignition control assembly

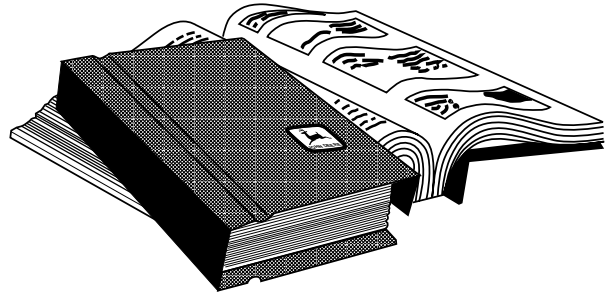
See your John Deere dealer

Periodic Service

ADDITIONAL SERVICE INFORMATION

This manual is not a detailed service manual. It has only information you need for normal operation and maintenance.

If a technical manual is desired, see your John Deere dealer for the correct manual.



USING SERVICE RECORDS

1. Keep a record of the number of hours or operation.
2. Check your record regularly to learn when service is required.
3. Do all the services in the interval section. Then write the number of hours (from your service record) and the date in the spaces provided.

Sample Service Record Chart

Date	Hours
1 Jun '85	3
6 Jun '85	2 - (5)
7 Jun '85	1 - (6)
11 Jun '85	4 - (10)
17 Jun '85	3 - (13)

150 HOURS

Drain Fuel Tank.

Hours				
Date				
Hours				
Date				
Hours				
Date				
Hours				
Date				
Hours				
Date				

250 HOURS

- Clean flame sensor.
- Clean air intake filter.
- Clean fan.

Hours				
Date				
Hours				
Date				
Hours				
Date				
Hours				
Date				
Hours				
Date				

500 HOURS

- Clean flame sensor.
- Clean air intake filter.
- Clean fan.
- Clean fuel filter.
- Replace air output and lint filters. See your John Deere dealer for service.

Hours				
Date				
Hours				
Date				
Hours				
Date				
Hours				
Date				
Hours				
Date				

YEARLY

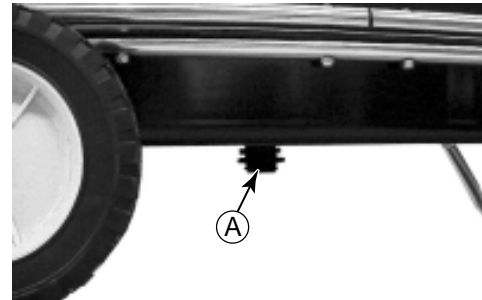
- Clean fuel nozzle.
- Drain fuel tank.
- Clean fuel filter.
- Clean flame sensor.
- Clean air intake filter.
- Clean fan.

Hours				
Date				
Hours				
Date				
Hours				
Date				
Hours				
Date				
Hours				
Date				

⚠ CAUTION: Before performing service, disconnect power cord from electrical outlet. Failure to unplug heater could cause serious injury. Allow heater time to cool. Severe burns and electrical shock can occur.

DRAINING FUEL TANK

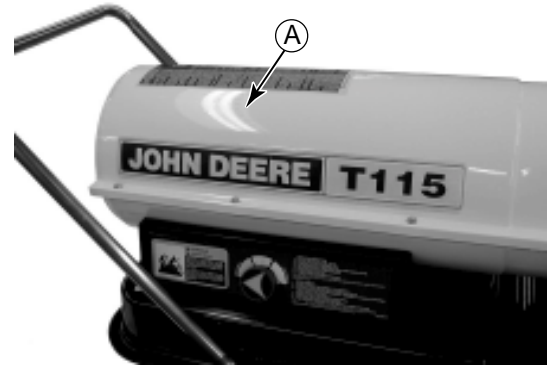
1. Remove drain plug (A).
2. Drain and flush tank with clean fuel.
3. Replace drain plug.



CLEANING FLAME SENSOR

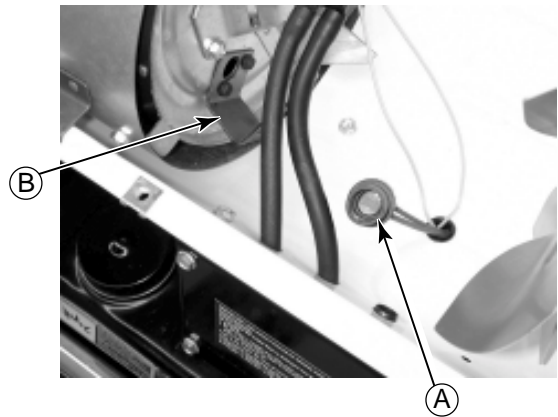
1. Remove upper shell (A) from heater by removing self-tapping screws.

Note: Nose Cone Guard must be removed first on model T70.



IMPORTANT: DO NOT bend flame sensor mounting bracket.

2. Remove sensor (A) from bracket (B) and clean face of photocell with a soft cloth.
3. Insert sensor into bracket.
4. Install upper shell.

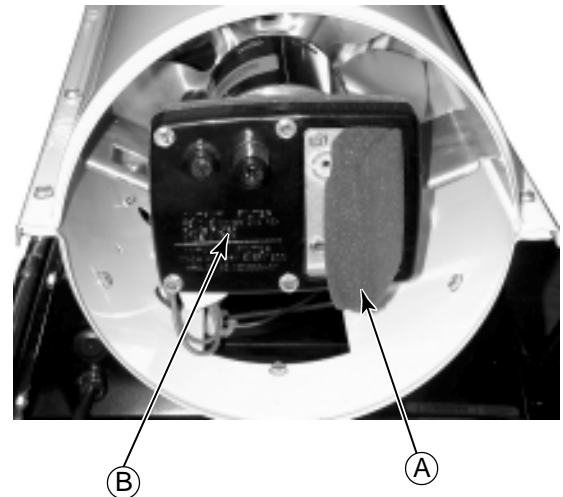


CLEANING AIR INTAKE FILTER

1. Remove upper shell and plastic fan guard.
2. Remove filter (A) from filter cover (B).
3. Clean filter in mild detergent and warm water. Dry thoroughly before reinstallation. Replace if needed.

IMPORTANT: DO NOT oil filter or pump.

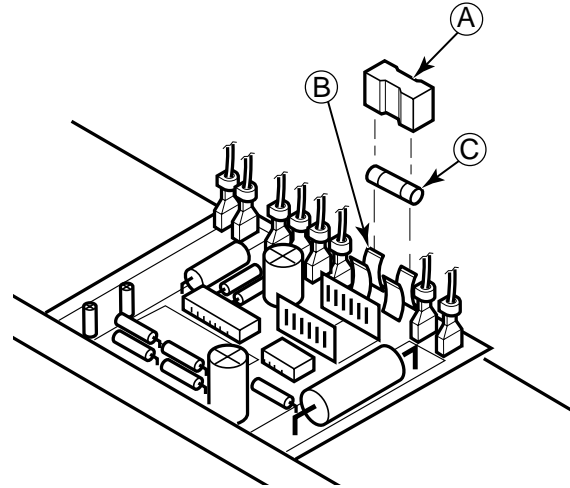
There are two other filters inside the pump assembly; an air output filter and a lint filter. See your John Deere dealer for service.



REPLACING FUSE

⚠ WARNING: High Voltage!

1. Unplug heater.
2. Remove side cover screws to expose ignition control assembly.
3. Remove fuse cover (A).
4. Remove fuse from fuse clips (B).
5. Replace fuse (C) with fuse of the same type and rating (GMA-10). Do not substitute a fuse with a higher current rating.
6. Replace fuse cover.
7. Replace side cover.

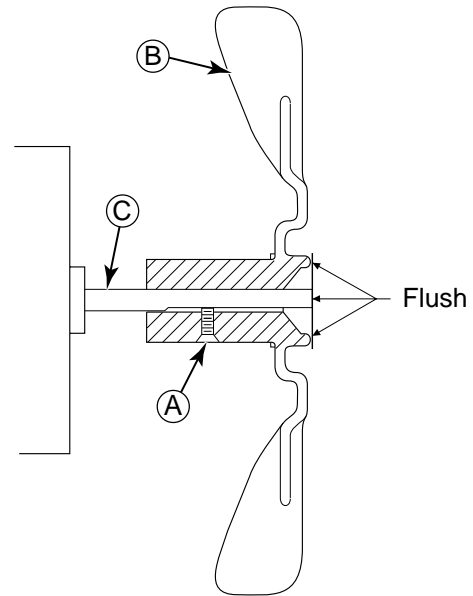


CLEANING FAN

⚠ CAUTION: Fan blades are sharp. Carefully work around blades or wear gloves when cleaning.

IMPORTANT: Remove fan from motor shaft before removing motor from heater. The weight of the motor resting on the fan could damage the fan pitch.

1. Remove upper shell and fan guard.
2. Loosen setscrew (A) which holds fan (B) to motor shaft (C).
3. Slip fan off motor shaft.
4. Clean fan using a soft cloth moistened with kerosene or solvent.
5. Dry fan thoroughly.
6. Replace fan on motor shaft. Place fan hub flush with end of motor shaft.
7. Place setscrew on flat of shaft. Tighten set-screw firmly (40 to 50 in-lbs/4.5 to 5.6 N-m).
8. Replace fan guard and upper shell.

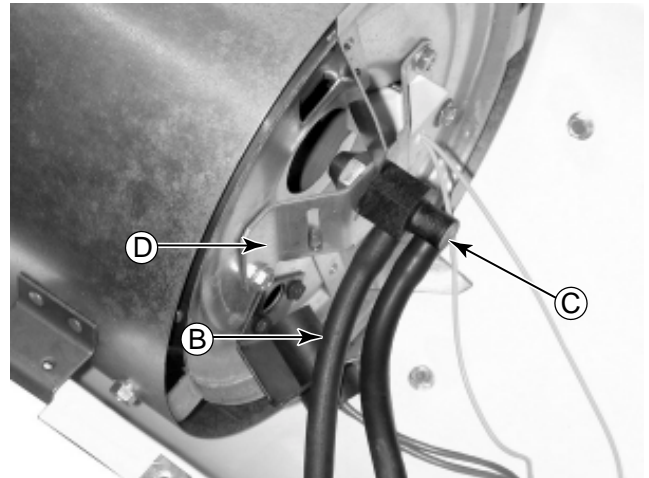


CLEANING FUEL NOZZLE

1. Remove upper shell and fan guard.

⚠ CAUTION: Fan blades are sharp. Carefully work around blades or wear gloves when removing or installing parts.

2. Remove fan.
3. Remove fuel line hose (A) and air line hose (B) from nozzle assembly (C).
4. Turn nozzle assembly 1/4 turn to left and pull toward motor to remove from burner strap (D).
5. Place plastic hex-body into vise and lightly tighten.
6. Carefully remove nozzle (A) from the nozzle adapter (B).

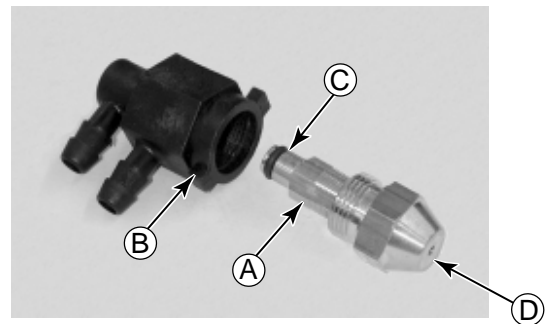


IMPORTANT: DO NOT clean nozzle passage with a wire or any other tool, or damage could result.

7. Blow compressed air through face of nozzle (D). This will free any dirt in nozzle area.
8. Inspect nozzle seal (C) for damage.

⚠ CAUTION: If nozzle is not tightened, fuel will leak into lower shell causing a potential fire hazard.

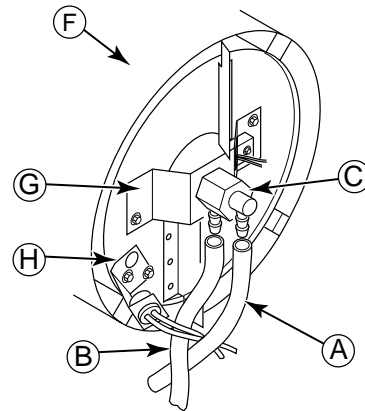
9. Replace nozzle into nozzle adapter until nozzle seats. Tighten 1/3 turn more using 5/8" socket wrench (40 to 45 in-lbs/4.5 to 5.1 N-m).
10. Attach nozzle assembly to burner strap.
11. Attach fuel and airline hoses to nozzle assembly. See *Fuel and Airline Replacement and Proper Routing*, page 18.
12. Replace fan.
13. Replace fan guard and upper shell.



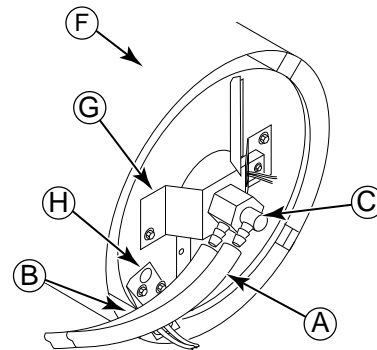
FUEL AND AIR LINE REPLACEMENT AND PROPER ROUTING

1. Remove upper shell.
2. Remove side cover screws.
3. Remove side cover.
4. Inspect fuel line hoses (A) and air line hoses (B) for cracks and/or holes. If fuel line hose is damaged, disconnect from nozzle adapter (C) and from fuel filter. If air line hose is damaged, disconnect from nozzle adapter (C) and from barb fitting (D) on pump end cover (E).
5. Install new air and/or fuel line. Attach one end of air line hose (B) to barb fitting (D) on pump end cover (E) and the other end to nozzle adapter (C). Attach one end of fuel line hose (A) to fuel filter and the other end to nozzle adapter. *Note:* Route air and fuel lines as shown in illustrations. *Note:* Hoses are not to be touching photocell bracket (H).
6. Replace side cover.
7. Replace upper shell and fan guard.

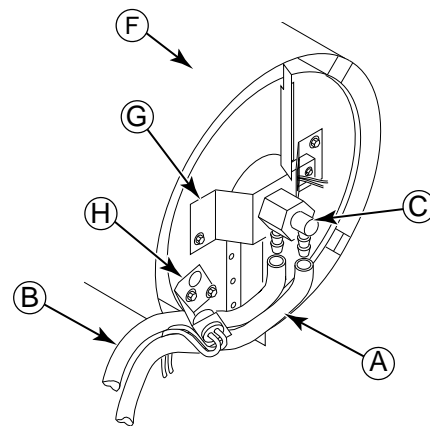
- A - Fuel Line Hose**
- B - Air Line Hose**
- C - Nozzle Adapter**
- D - Barb Fitting**
- E - Pump End Cover**
- F - Combustion Chamber**
- G - Burner Strap**
- H - Photocell Bracket**



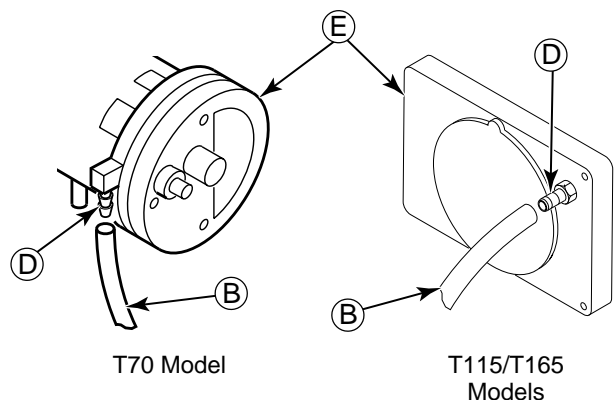
T70 Model



T115 Model



T165 Model



T70 Model

T115/T165 Models

CLEANING FUEL FILTER

1. Remove side cover.
2. Remove fuel line (A) from fuel filter assembly (B).
3. On Model T70, carefully pry up on bushing (C) and filter assembly (B) and remove from fuel tank.

On Model T115 and T165, carefully pry filter assembly (B) from bushing (C).

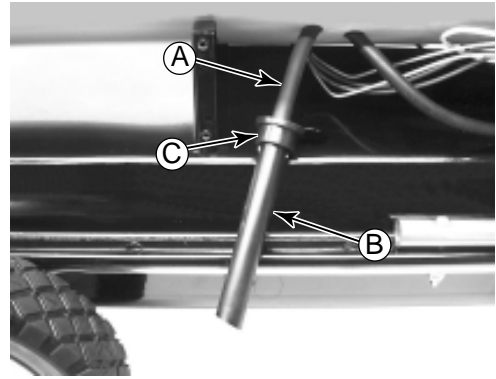
4. Wash filter assembly in clean fuel and inspect for damage.

Note: It is not necessary to remove filter from filter assembly on Model T70. On Model T115 and T165 assembly is one piece.

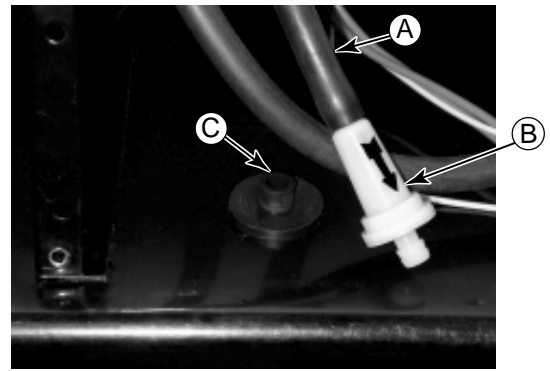
5. Install filter assembly and bushing (Model T70) into fuel tank.

IMPORTANT: Be sure filter (Model T115 and T165) and bushing (Model T70) are firmly seated in tank.

6. Connect fuel line and install side cover.



Model T70



Model T115 and T165

STORAGE LOCATION AND MAINTENANCE

Note: If shipping, transport companies require fuel tanks to be empty.

1. Drain fuel tank.

Note: Some models have drain plug on underside of fuel tank. If so, remove drain plug to drain all fuel. If heater does not have drain plug, drain fuel through fuel cap opening. Be sure all fuel is removed.

2. Replace drain plug if provided.
3. If any debris is noted in old fuel, add 1 or 2 quarts of clean kerosene to tank, stir, and drain again. This will prevent excess debris from clogging filters during future use.
4. Replace fuel cap or drain plug. Properly dispose of old and dirty fuel. Check with local automotive service stations that recycle oil.
5. If storing, store heater in dry place. Make sure storage place is free of dust and corrosive fumes.

IMPORTANT: Do not store kerosene over summer months for use during next heating season. Using old fuel could damage heater.

When taking heater out of storage, perform the following maintenance procedures. Refer to *Periodic Service* section, page 13.

⚠ CAUTION: Check for bird, wasp, and rodent nests and other foreign matter. Check for leaks. Inspect the electrical cord for deterioration and damage.

Clean fan.

Clean flame sensor.

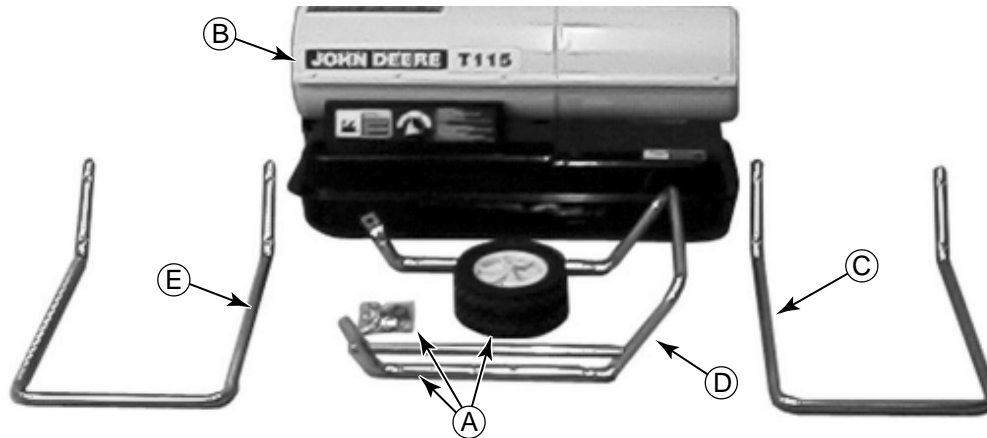
Clean exterior of unit.

Fill with proper fuel.

Do not oil air filter, pump vanes, or rotor.

Assembly

UNPACK COMPONENTS



**A - Axle, Hardware,
and Wheels**

**B - Heater
C - Front Handle**

D - Wheel Support Frame

E - Rear Handle

Remove components from shipping carton and check for damaged or missing parts.

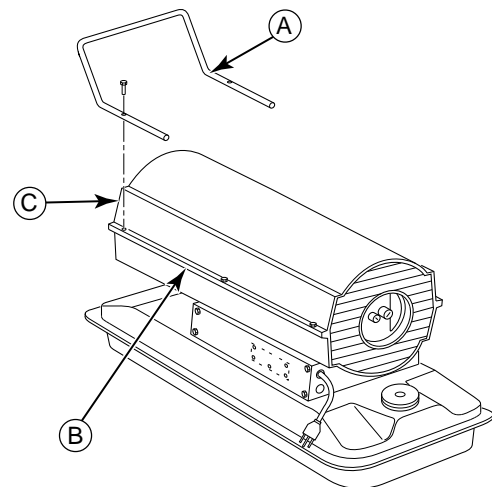
INSTALLING NOSE CONE GUARD

IMPORTANT: THIS IS NOT TO BE USED AS A HANDLE.

(For T70 Model Only)

This model is furnished with a nose cone guard (A). Nose cone guard and mounting screws are found in the shipping carton.

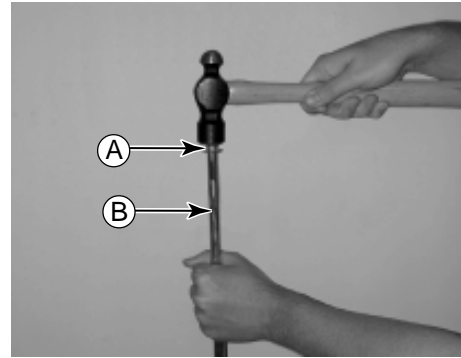
1. Place nose cone guard on top of upper shell flange (B). Make sure nose cone guard is on hot air outlet end of heater (C).
2. Insert screws through nose cone guard and upper shell flange.
3. Tighten screws firmly.
4. Assemble wheels and handles per the instructions that follow.



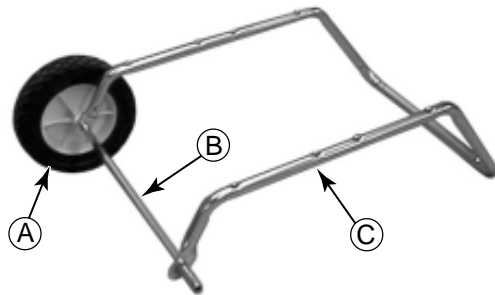
Model T70 Only

ATTACHING WHEELS AND AXLE

1. Install cap nut (A) onto end of axle (B).

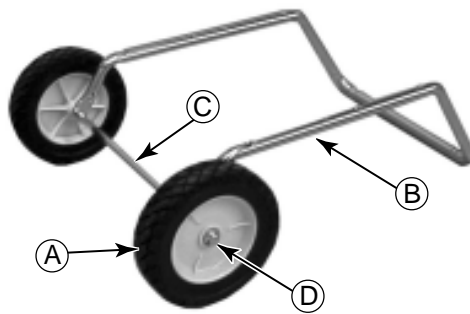


2. Slide wheel (A) onto axle (B) with extended side of wheel hub away from cap nut.
3. Install axle on wheel support frame (C).



4. Install wheel (A), with extended side of wheel hub toward wheel support frame (B) onto axle (C).
5. Install cap nut (D) onto axle.

- A-Wheel**
- B-Wheel Support Frame**
- C-Axle**
- D-Cap Nut**

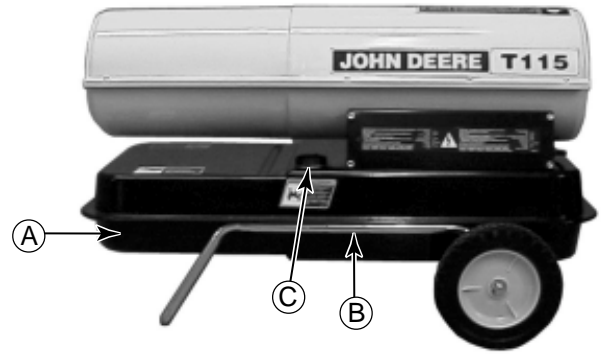


ATTACHING HEATER AND HANDLES

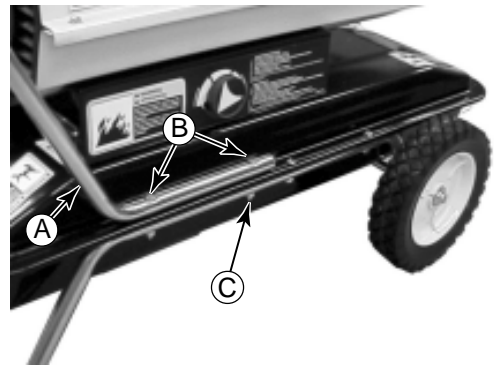
1. Install heater assembly (A) to wheel support frame (B). Align holes in heater assembly and wheel support frame.

Note: Wheels are to be at hot air outlet end of heater on T70 ONLY (see next picture below).

2. Install fuel gauge cap (C).



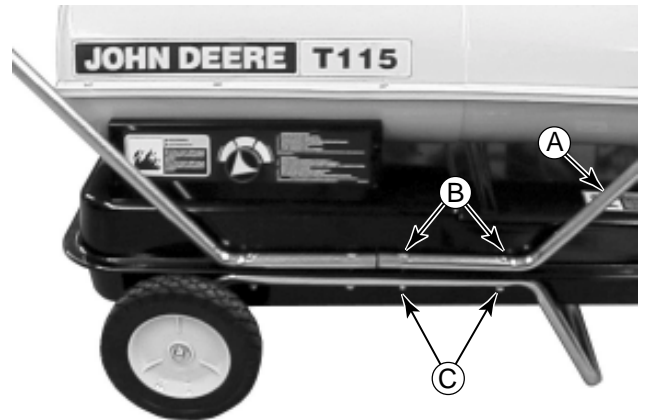
3. Install rear handle (A) using screws (B) and lock nuts (C). **DO NOT TIGHTEN.**



Model T70 Shown

4. Install front handle (A) (excluding T70) using screw (B) and lock nuts (C) **DO NOT TIGHTEN.**

5. Tighten all screws and nuts.



Specifications

	Model T70	Model T115	Model T165
Output rating	70,000 BTU/Hr (20.51 kW)	115,000 BTU/Hr (33.70 kW)	165,000 BTU/Hr (48.35 kW)
Hot air output (approximate)	360 cubic feet per minute (611 m ³ /HR)	490 cubic feet per minute (830 m ³ /HR)	575 cubic feet per minute (977 m ³ /HR)
Fuel	Kerosene or No. 1 Fuel Oil	Kerosene or No. 1 Fuel Oil	Kerosene or No. 1 Fuel Oil
Voltage	120 AC	120 AC	120 AC
Cycle	60 Hz.	60 Hz.	60 Hz.
Amperage (starting)	5.75	7.5	7.5
Amperage (normal operation)	2.8	3.6	3.6
Motor Speed	3,450 rpm	3,450 rpm	3,450 rpm
Weight (empty) (approximate)	37 lbs. (17 kg)	49 lbs. (23 kg)	56 lbs. (26 kg)
Length	34 in. (864 mm)	41 in. (1042 mm)	46 in. (1170 mm)
Width	15 in. (380 mm)	19 in. (480 mm)	22 in. (560 mm)
Height	20 in. (510 mm)	22 in. (560 mm)	25 in. (635 mm)
Fuel tank capacity	5.0 U.S. gal. (18.93 L)	9.0 U.S. gal. (34.07 L)	13.5 U.S. gal. (51.10 L)
Fuel consumption	0.50 gal. (1.89 L) per hour	0.85 gal. (3.22 L) per hour	1.2 gal. (4.54 L) per hour
Motor	1/8 hp (93.2 W)	1/5 hp (149.1 W)	1/5 hp (149.1 W)
Pump air pressure	4.7 psi (32.41 kPa) (0.324 bar)	5.3 psi (36.54 kPa) (0.365 bar)	5.6 psi (38.61 kPa) (0.386 bar)

(Specifications and design subject to change without notice.)

Serial Number Identification

SERIAL NUMBER PLATE LOCATION

The space heater serial number (A) is located on rear of fuel tank.

When ordering parts, always give your dealer the model and serial number. For your convenience, record this information below.

JOHN DEERE PORTABLE SPACE HEATER

Model No. _____

Serial No. _____

Date of Purchase _____

(To be filled in by purchaser)



John Deere Service Literature Available

PARTS CATALOG

The parts catalog lists service parts available for your machine with exploded view illustrations to help you identify the correct parts. It is also useful in assembling and disassembling.



OPERATOR'S MANUAL

The operator's manual provides safety, operating, maintenance, and service information about John Deere machines.

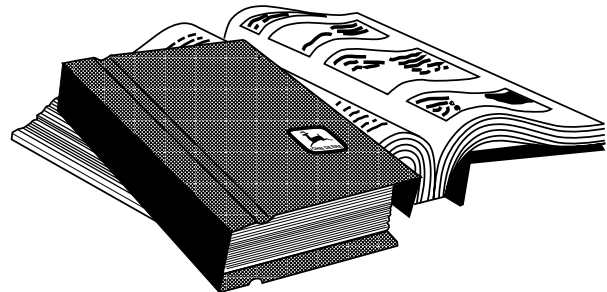
An extra copy of the operator's manual is available. The operator's manual and safety signs on your machine may also be available in other languages. (See your John Deere dealer to order.)



JOHN DEERE PUBLISHING BOOKS

Covering all vehicles, regardless of manufacturer, each book starts with basic theory and proceeds through complex systems. There are four series:

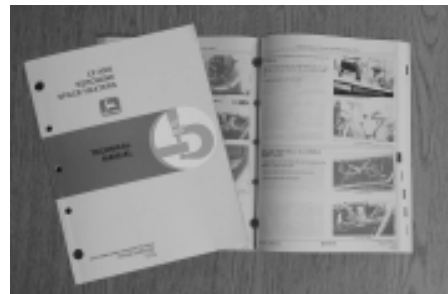
- Farm Business Management (FBM)
- Fundamentals of Machine Operation (FMO)
- Fundamentals of Service (FOS)
- Fundamentals of Compact Equipment Service (FCP)
- Premiere Series (FP)



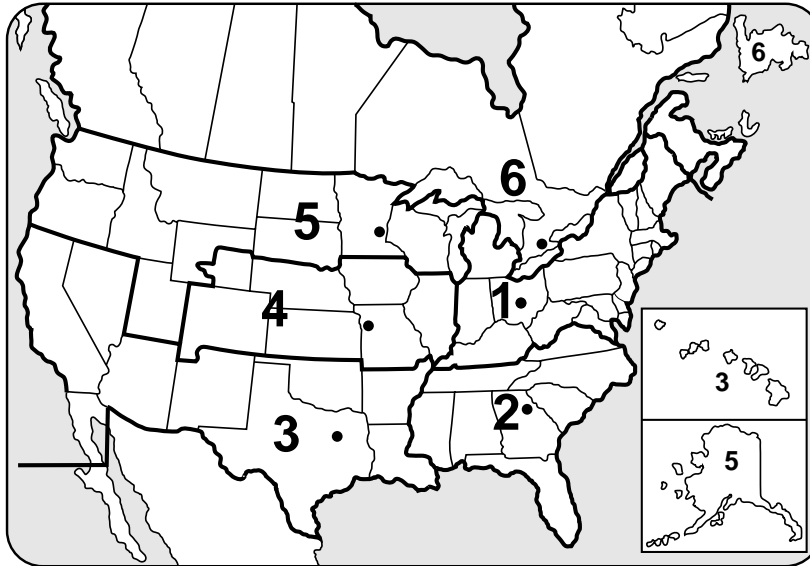
TECHNICAL AND SERVICE MANUALS

Technical and service manuals are service guides for your machine. Included in the manual are specifications, diagnosis, and adjustments. Also illustrations of assembly and disassembly procedures, hydraulic oil flows, and wiring diagrams.

Component technical manuals are required for some products. These supplemental manuals cover specific components.



JOHN DEERE IS AT YOUR SERVICE WHEN YOU NEED IT



1. JOHN DEERE COMPANY
 701 Georgeville Road
 Columbus, OH 43228-2499
 614-275-1500 (Fax: 614-275-1450)

2. JOHN DEERE COMPANY
 2001 Deere Drive
 Conyers, GA 30208
 770-922-7040 (Fax: 770-388-2138)

3. JOHN DEERE COMPANY
 P.O. Box 540598
 Dallas, TX 75354-0598
 214-385-1701 (Fax: 214-663-2390)

4. JOHN DEERE COMPANY
 3210 East 85th Street
 Southeast Station
 Kansas City, MO 64132-2586
 816-361-4000 (Fax: 816-995-9381)

5. JOHN DEERE COMPANY
 2001 West 94th Street
 Bloomington, MN 55431-3211
 612-887-6200 (Fax: 612-887-6385)

6. JOHN DEERE LIMITED
 South Service Road at Hunter
 Grimsby, Ontario, Canada L3M 4H5
 905-945-9281 (Fax: 905-945-0341)

CUSTOMER SATISFACTION is important to John Deere. We take pride in providing superior service. We'll be around when you need us:

- We maintain a large and varied parts inventory to help minimize downtime.
- Precision tools and testing equipment enable technicians to locate and correct troubles.
- We hold regular training schools for service technicians so they know your equipment and how to maintain it.
- Our goal is to provide prompt, efficient service through competent dealerships.

COMPLAINT-RESOLUTION PROCEDURE

Your dealer is the best and fastest source to solving any problems you may experience with your product.

1. Be prepared with the following information:
 - Machine model and product identification number
 - Date of purchase
 - Nature of the problem
2. Discuss problems with dealer service manager.
3. If unable to resolve, see the dealership manager. Explain the problem and request assistance.
4. If you have a persistent problem your dealership is unable to satisfy, ask your dealer to contact the John Deere territory aftermarket manager for resolution.
5. If a problem is not resolved to your satisfaction, contact the appropriate John Deere sales branch for your area and ask to speak with the division aftermarket manager. (See map.)

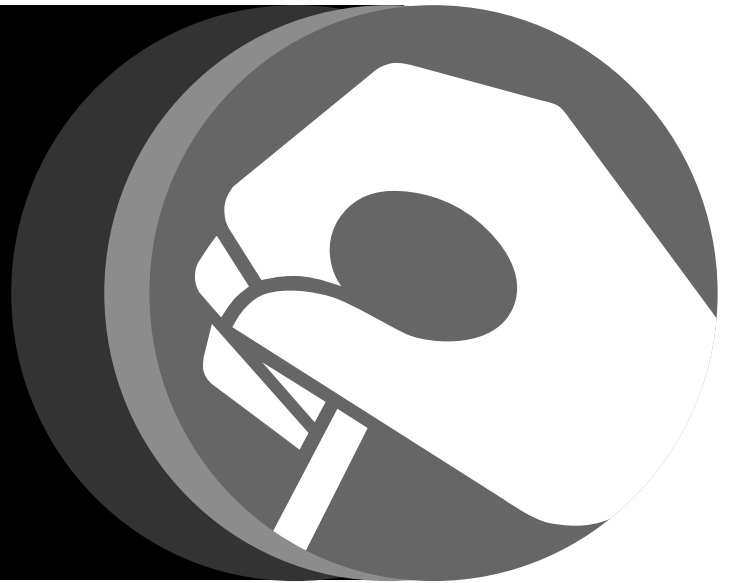


Radiateurs Portatifs Modèles T70, T115 et T165



JOHN DEERE

**LIVRET
D'ENTRETIEN**



FBL 156262

**Division JDM
OMTY25047
LITHO IN U.S.A.
ENGLISH/FRENCH**

Introduction

NOUS VOUS REMERCIONS d'avoir fait l'acquisition d'un produit John Deere.

LISEZ ATTENTIVEMENT CE MANUEL pour apprendre à utiliser et à entretenir votre appareil convenablement et pour éviter les risques de blessures ou de dégâts.

CE MANUEL DOIT ÊTRE CONSIDÉRÉ comme faisant partie de l'appareil et doit l'accompagner au moment de sa revente.

LES MESURES données dans ce manuel sont en unités anglo-saxonnes avec leurs équivalents métriques immédiatement après. N'utilisez que la boulonnerie et les pièces de rechange prévues pour cet appareil. Les clés utilisées pour serrer les vis et les boulons doivent correspondre au type utilisé.

LES TERMES DROIT ET GAUCHE s'entendent pour un observateur se tenant derrière l'appareil, et faisant face vers l'avant.

NOTEZ LES NUMÉROS D'IDENTIFICATION DE L'APPAREIL à *L'identification de numéro de série*, à la page 25. Notez ces numéros avec précision pour faciliter la localisation de l'appareil en cas de vol.

Le concessionnaire a également besoin de ces numéros pour toute commande de pièces. Rangez les numéros d'identification en lieu sûr.

LA GARANTIE est accordée dans le cadre du programme d'appui John Deere aux clients qui entretiennent et utilisent leur appareil selon les prescriptions de ce livret. La garantie est expliquée sur le certificat de garantie remis par le concessionnaire lors de l'achat.

Dans le cadre de la garantie, John Deere assure la réparation des appareils présentant des défauts de matière ou de fabrication pendant la durée de la garantie. Dans certains cas, John Deere offre également des programmes d'amélioration, souvent sans frais pour l'acheteur, même si la garantie est expirée. Cependant, toutes utilisations abusives ou toutes modifications apportées aux appareils sans approbation de l'usine entraîneront l'annulation de la garantie et les programmes d'amélioration peuvent être refusés. Le réglage de l'alimentation de carburant à des spécifications autres que celles indiquées ou toute surcharge de l'appareil entraînera également l'annulation de la garantie.

Table des matières

	Page
Sécurité	1
Fonctionnement	
Alimentation	7
Remplissage du réservoir à carburant	8
Rallonges	9
Ventilation	9
Mise en marche du radiateur	10
Fonctionnement du radiateur	11
Comment arrêter le radiateur	11
Remise en service	11
Dépistage des pannes	12
Entretien périodique	
Renseignements d'entretien supplémentaires	13
Utilisation de données d'entretien	13
Entretien périodique	
150 Heures	13
250 Heures	13
500 Heures	14
Annuellement	14
Vidange du réservoir de carburant	14
Nettoyage du capteur de flammes	15
Nettoyage du filtre d'admission d'air	15
Remplacement de fusible	16
Nettoyage du ventilateur	16
Nettoyage de la buse de carburant	17
Remplacement et acheminement corrects de conduites de combustible et d'air	18
Nettoyage du filtre à carburant	19
Entreposage et entretien	20
Assemblage	
Déballage des composantes	21
Comment installer le cône protecteur	21
Roues et essieu	22
Comment attacher le radiateur et les poignées	23
Fiche technique	24
Identification du numéro de série	25

Tous les renseignements, illustrations et caractéristiques dans ce manuel sont basés sur les tout derniers renseignements disponibles au moment de la publication. Nous nous réservons le droit d'apporter des changements à n'importe quel moment sans préavis.

Sécurité

RESPECTEZ LES MESSAGES DE SÉCURITÉ

Ceci est un symbole de rappel à la sécurité. Lorsque vous voyez ce symbole sur votre appareil ou dans ce manuel, soyez conscient des risques de blessures.

Respectez les précautions et les pratiques de sécurité recommandées.



FAMILIARISEZ-VOUS AVEC LES SYMBOLES DE SÉCURITÉ

Les mots - «DANGER», «AVERTISSEMENT» OU «ATTENTION» - apparaissent à côté du symbole général de rappel à la sécurité. Le mot «DANGER» vous avertit au sujet des risques les plus sérieux.

Les étiquettes de sécurité portant les mots «DANGER» ou «AVERTISSEMENT» sont situées aux endroits comportant des risques spécifiques. Les précautions générales à suivre sont indiquées sur les étiquettes de sécurité portant le mot «ATTENTION». Le mot «ATTENTION» précède également les messages de sécurité figurant dans ce manuel.



RESPECTEZ LES INSTRUCTIONS DE SÉCURITÉ

Lisez attentivement tous les messages de sécurité figurant dans ce manuel et sur l'appareil. Assurez-vous que les étiquettes de sécurité soient toujours en bon état. Remplacez les étiquettes de sécurité manquantes ou endommagées. Assurez-vous que les nouveaux éléments de l'équipement et les pièces de rechange comportent les étiquettes de sécurité les plus récentes. Des étiquettes de sécurité de rechange sont disponibles de votre concessionnaire John Deere.

Apprenez à faire fonctionner l'appareil et à utiliser les commandes de façon adéquate. Ne laissez personne utiliser l'appareil sans instruction.

Gardez votre appareil en bon état de fonctionnement. Des modifications non-autorisées effectuées à l'appareil peuvent nuire au fonctionnement et/ou à la sécurité et affecter la durée d'utilisation de l'appareil.


Si vous ne comprenez pas ce manuel en tout ou en partie et que vous avez besoin d'aide, veuillez contacter votre concessionnaire John Deere.





RENSEIGNEMENTS DE SÉCURITÉ

AVERTISSEMENTS

 **AVERTISSEMENT : Ce produit contient ou génère des substances chimiques que l'état de Californie reconnaît comme pouvant entraîner le cancer, des anomalies congénitales ou d'autres troubles de reproduction.**

IMPORTANT: Veuillez lire ce manuel attentivement et complètement avant d'essayer de monter, de faire fonctionner ou de réparer cet appareil. Son utilisation incorrecte pourrait causer des blessures graves ou la mort à la suite de brûlures, d'incendie, d'explosion, de chocs électriques, d'électrocution et d'intoxication par de l'oxyde de carbone.

DANGER

L'intoxication par de l'oxyde de carbone risque d'entraîner la mort!

Les signes précurseurs de l'intoxication par l'oxyde de carbone ressemblent à ceux de la grippe: maux de tête, vertiges et/ou nausée. Si vous ressentez ces symptômes, il se peut que l'appareil ne fonctionne pas correctement. **Allez immédiatement respirer de l'air frais!** Faites réparer l'appareil. Certaines personnes (comme les femmes enceintes, celles souffrant de maladies de coeur ou des poumons, celles ayant de l'anémie, celles étant sous l'influence de l'alcool et celles se trouvant à haute altitude) sont plus affectées que d'autres par l'oxyde de carbone.

Assurez-vous d'avoir lu et compris tous les avertissements. Gardez ce manuel pour vous y reporter plus tard. Il est nécessaire pour l'utilisation sécuritaire et correcte de cet appareil.

- Ne vous servez que de kérosène ou de mazout n° 1.
- Branchez-le sur une prise de tension et de fréquence correspondant à celles indiquées sur la plaque signalétique.
- Le radiateur portable doit être mis à la terre. Ne vous servez que d'une rallonge à trois fils. Ne branchez que sur une prise de courant mise à la terre.
- N'utilisez pas l'appareil dans des endroits qui contiennent des vapeurs inflammables, ou poussiéreux.

- La distance minimale de l'appareil de tout matériau combustible est de:
Sortie; 8 pieds (244 cm) dessus; 6 pieds (183 cm) du dessus; 4 pieds (122 cm) des côtés.
- Pour éviter les risques d'incendie lorsque l'appareil fonctionne ou est chaud, placez le radiateur sur une surface ferme et plate.
- Ne le faites fonctionner que dans des endroits bien aérés. Assurez un espace ouvert d'au moins 3 pi² (2 800 cm²) pour chaque 100 000 BTU/h (29.3kW) de rendement.
- Ne laissez jamais les enfants ou les animaux domestiques s'approcher de l'appareil.
- Ne faites jamais fonctionner le radiateur lorsque la chambre de combustion est chaude ou si le combustible s'est accumulé dans la chambre de combustion.
- Le radiateur est muni d'un thermostat et le radiateur peut se mettre en marche à n'importe quel moment.
- Pour éviter les renversements de combustible lorsque l'appareil est déplacé ou entreposé, il doit se trouver de niveau.
- Utilisez l'appareil uniquement en suivant les règlements et les codes locaux.
- N'utilisez jamais d'essence, de naphte, d'écoulements du carter du moteur, de diluant à peinture, d'alcool ni tout autre combustible très inflammable.
- N'utilisez jamais l'appareil dans des endroits contenant de l'essence, du diluant à peinture ou autre à vapeur très inflammables.
- N'utilisez jamais l'appareil à des fins domestiques ou dans une chambre à coucher.
- Ne laissez jamais un radiateur branché sans la supervision d'un adulte si des enfants ou des animaux sont présents.
- N'effectuez aucun entretien, ne remplissez jamais le réservoir et ne déplacez pas l'appareil s'il est chaud, en marche ou branché.
- Ne bloquez jamais l'entrée d'air (arrière) de l'appareil.
- N'attachez jamais le réseau de distribution à l'avant ou à l'arrière du radiateur.
- Ne montez jamais le radiateur à un réservoir de carburant externe.

MANIEZ LE CARBURANT AVEC SOIN - ÉVITEZ LES INCENDIES

Lorsque vous travaillez avec du carburant, ne fumez pas et ne travaillez pas près de radiateurs ou autres sources de chaleur.

Entreposez les fluides inflammables loin des sources de chaleur. N'incinérez et ne percez pas les contenants sous pression.

Assurez-vous que l'appareil est exempt de saleté, de graisse et de débris.

N'entreposez pas les chiffons imbibés d'huile car ils pourraient s'enflammer ou brûler spontanément.



MANIEZ LE CARBURANT AVEC SOIN

Le radiateur a été conçu pour fonctionner avec du kérosène ou du mazout n°1 seulement. N'utilisez PAS de carburant diesel, de mazout n°2, d'essence, de naphte, d'écoulements de carter de moteur, de diluant à peinture, d'alcool ou autres combustibles très inflammables.

L'utilisation d'un combustible non recommandé pourrait créer des vapeurs toxiques.

N'ajoutez pas de carburant au radiateur lorsqu'il est chaud, en marche ou branché. N'utilisez que le combustible recommandé.

Ne fumez pas lorsque vous remplissez le radiateur.

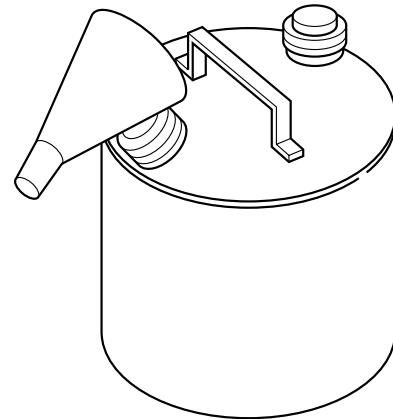
Évitez les renversements. Ne remplissez pas trop le radiateur.

Essuyez tout combustible renversé après le remplissage.

Éloignez-vous de l'endroit où vous avez fait le plein avant d'utiliser le radiateur.

Au moment d'effectuer le remplissage, placez le radiateur sur une surface plate car des fuites pourraient survenir.

N'utilisez pas le radiateur dans des endroits qui contiennent des vapeurs inflammables telles que la peinture, le combustible, certains dissolvants ou qui sont poussiéreux.



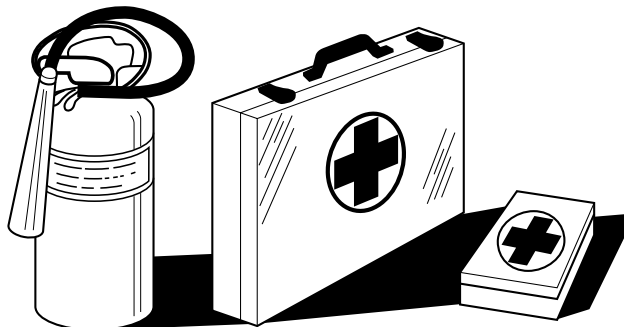
IMPORTANT: Utilisez seulement un contenant à kérosène. Assurez-vous de la propreté du contenant d'entreposage. Les corps étrangers tels la rouille, la saleté ou l'eau provoqueront la fermeture de la commande d'allumage du radiateur. Les corps étrangers pourraient aussi vous forcer à nettoyer le système de carburant plus souvent.

EN CAS D'URGENCE

Soyez prêt à réagir si un incendie se déclare.

Conservez une trousse de premiers soins et un extincteur à portée de la main.

Conservez les numéros de téléphone de médecin, ambulance, hôpitaux et service d'incendie près du téléphone.



RESPECT DE L'ÉLECTRICITÉ

Assurez-vous que le radiateur est mis à la masse de façon adéquate. La rallonge du cordon doit être à 3 fils mis à la masse et avoir au moins 6 pieds (1,8 mètres) de long.

Assurez-vous que la connexion entre le cordon d'alimentation et la rallonge ne repose pas dans l'eau.

Débranchez la fiche avant de réparer ou de déplacer le radiateur.

Servez-vous seulement de radiateur avec une source de courant alternatif de 120 volts, 60 hertz.

Servez-vous seulement de radiateur sur un circuit à fusibles de tension et de fréquence adéquats capable de maintenir la charge.





CAUTION **ATTENTION**

• Improper use of this heater can cause serious injury or death from burns, fire, explosion, electrical shock, and carbon monoxide poisoning.

• Use only kerosene or No. 1 fuel oil to avoid risk of fire or explosion. Never use gasoline, kerosene, drainings, naphtha, paint thinners, alcohol, or other flammable liquids.

• Never use heater where gasoline, paint thinner, or other flammable vapors are present.

• Never use heater in areas with high dust content.

• Do not start heater when chamber is hot or if fuel has accumulated in chamber.

• Minimum heater clearances from combustible materials: Outlet: 8 FT.; Sides: 4 FT.; Top: 4 FT.; Rear: 4 FT.

• Heaters used in the vicinity of tarpaulins, canvas, or similar enclosure materials shall be located a safe distance from such materials. The recommended minimum safe distance is 10 feet. It is further recommended that these enclosure materials be of a fire retardant nature. These enclosure materials shall be securely fastened to prevent them from spilling or from opening heater due to wind action.

• Use only a three-prong grounded extension cord. Use only with the electrical voltage and frequency specified on model plate.

• Use only in well-ventilated areas. Provide at least a 3-square-foot opening of fresh outside air for each 100,000 BTU/hr of rating when running heater.

• Unplug heater when not in use.

• Never block air inlet (rear) or air outlet (front) of heater. Never attach duct work to front or rear of heater. Do not attach heater to external fuel tank.

• Locate heater on a stable and level surface while hot or running or if fire may occur.

• When moving or storing heater, keep heater in a level position or fuel spillage may occur.



• Never move, handle, refuel, or service a hot, operating, or plugged-in heater.

• Keep children and animals away from heater.

• Never use heater in living or sleeping areas.

• Follow all local ordinances and codes when using heater.

WARNING: This heater is equipped with a thermostat. Heater may start at any time.


FBI 156262


ADVERTISSEMENT: (Cet appareil de chauffage est équipé d'un thermostat. Il risque de démarrer à tout moment.)





WARNING
ATTENTION



Risk of fire or burns. Heater may ignite any time power cord is plugged in. Unplug power cord if heater is unattended.
Risque de feu ou de brûlures. Le radiateur peut s'allumer n'importe quand lorsque le cordon est branché. Débrancher le cordon électrique lorsque le radiateur n'est pas surveillé.

WARNING
ATTENTION

Hot surfaces. Do not touch or move while burner is ignited or hot. Allow to cool and unplug heater before fueling.
Surfaces chaudes. ne pas toucher ou déplacer alors que le brûleur est allumé ou chaud. Laissez refroidir et débranchez le radiateur avant

098129-02





Modèles T115/T165



Modèle T70



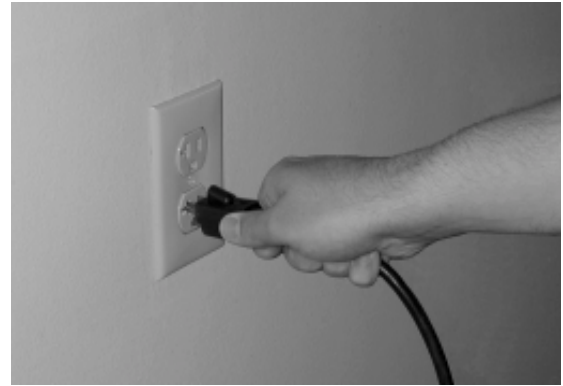
Fonctionnement

ALIMENTATION

⚠ ATTENTION: Si une prise électrique supplémentaire est nécessaire pour faire fonctionner votre radiateur, elle devrait être installée par un électricien qualifié et l'installation devrait être conforme à la dernière édition des codes électriques provinciaux applicables et les exigences de l'ACNOR.

Le radiateur exige une prise de courant mise à la terre de 120 volts, 60 hertz comme source d'alimentation. Servez-vous d'un adaptateur mis à la terre approprié pour le brancher à une prise à 2 broches, au besoin. Vérifiez les exigences en ampérage du radiateur dans la *Fiche Technique*, page 24.

IMPORTANT: NE surchargez PAS le circuit.



REPLISSAGE DU RÉSERVOIR DE CARBURANT

⚠ ATTENTION: N'ajoutez PAS de combustible lorsque le radiateur est chaud ou qu'il fonctionne. N'utilisez PAS de carburant diesel, de mazout n° 2, d'essence, d'écoulements du carter de moteur de naphthe, de diluant à peinture, d'alcool ni tout autre combustible très inflammable. L'utilisation de combustibles non-recommandés pourrait créer des vapeurs toxiques.

Déposez le bouchon (A) du réservoir de carburant et remplissez-le de kérosène ou de mazout n° 1.

N'utilisez pas d'huile lourde comme le mazout n° 2 ou le mazout diesel n° 2. L'utilisation d'huile lourde peut résulter en:

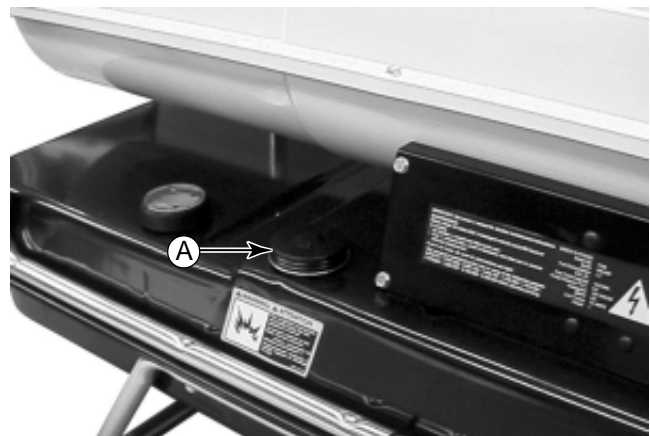
- Obstruer le filtre à carburant et la buse en raison de gellification du combustible.
- Occasionner une accumulation de carbone sur les bougies.

N'utilisez pas de mazout n° 3 ou d'huiles lourdes telles que celles qui proviennent de la vidange des moteurs. Ces huiles lourdes ne s'enflammeraient pas bien et contamineraient l'appareil.

Remplissage

- Le personnel préposé au remplissage doit être qualifié et complètement familier avec les instructions du manufacturier et les règlements fédéraux, provinciaux et locaux se rapportant au remplissage sécuritaire d'appareils de chauffage.
- Seul le type de carburant spécifié sur la plaque des spécifications du radiateurs peut être utilisé.
- Toute flamme, y compris celle de la veilleuse, doit être éteinte et le radiateur refroidi avant de procéder au remplissage.
- Au cours du remplissage, toutes les connexions des conduites de remplissage doivent être vérifiées pour voir s'il y a des fuites. Toute fuite doit être réparée avant la remise en marche de l'appareil.
- Il ne faut en aucun moment emmagasiner plus d'un jour d'alimentation de carburant à proximité du radiateur à l'intérieur d'un bâtiment. L'entreposage de grandes quantités de carburant doit se faire à l'extérieur du bâtiment.

- Tout entreposage de carburant doit être situé à un minimum de 25 pieds (7,63 m) de radiateurs, chalumeaux, matériel de soudure et de sources d'allumage semblables (exception: le réservoir intégral de carburant fourni avec l'unité de radiateur).
- Lorsque possible, l'entreposage de carburant doit être confiné aux aires où le plancher ne peut pas permettre la pénétration par le carburant qui pourrait s'égoutter sur ou être allumé par un feu à une élévation inférieure.
- L'entreposage de carburant sera fait selon les autorités fédérales, provinciales ou locales ayant juridiction.



RALLONGES

Branchez le cordon électrique à une rallonge à trois fils avec mise à la terre. La rallonge doit avoir une longueur d'au moins 1,8 m (6 pi).

Conditions requises pour les rallonges électriques

Pour les longueurs de 6 à 10 pi (1,8 à 3 m), rallonge de calibre 0,75 mm² (18)

De 11 à 100 pi (3,3 à 30,5 m), rallonge de calibre 1 mm² (16)

De 101 à 200 pi (30,8 à 61 m), rallonge de calibre 1,5 mm² (14)

VENTILATION

⚠ AVERTISSEMENT: Prévoir une ouverture d'air extérieur d'au moins trois pieds carrés (2,800 cm³) pour chaque débit nominal de 100,000 Btu/h (35 kW). Dans les cas où plus d'un appareil est utilisé, prévoir une entrée d'air supérieure pour éviter les risques d'asphyxie par oxyde de carbone. Respectez les règles minimales de ventilation. Assurez-vous que ces règles sont bien suivies avant de faire fonctionner l'appareil.

Exemple: un radiateur de 165 000 BTU/h (48.35 kW) exige un des trois points suivants:

- Une porte de garage pour deux voitures (ouverture de 16 pi [4,88 m] de large) relevée de 4 po (10,16 cm)
- Une porte de garage pour une seule voiture (ouverture de 9 pi [2,74 m] de large) relevée de 7 po (17,78 cm)
- Deux fenêtres de 30 po (76,20 cm) relevées de 12 po (30,48 cm)

MISE EN MARCHE DU RADIATEUR

⚠ ATTENTION: Observez les points suivants:

- Assurez une ouverture d'air frais d'au moins trois pieds carrés (0,28 m²) pour chaque 100 000 BTU/h (29.3 kW). Si plus d'un radiateur fonctionne, assurez un plus grand passage d'air frais.
- Assurez une distance minimale de l'appareil de tout matériau combustible, personne ou animal: soit - 8 feet (2.4 m); dessus - 6 feet (1.8 m); côtés - 4 feet (1.2 m).
- Assurez-vous qu'il n'y a aucune obstruction provenant des ouvertures d'admission et de sortie.
- Assurez-vous que le radiateur est de niveau et sur une surface ferme et plate.
- Selon le réglage du thermostat, le radiateur peut fonctionner immédiatement lorsque le cordon d'alimentation est branché.
- Assurez-vous que le circuit électrique est adéquat et mis à la terre correctement.
- Placez le radiateur de façon à fournir un maximum de circulation d'air.

1. Tournez le bouton du thermostat vers la droite en position maximale.
2. Branchez la rallonge à une prise standard de 120 volts/60 hertz, avec prise de terre à 3 tiges.
Remarque : L'allumeur préchauffe pendant cinq secondes, puis l'appareil de chauffage démarre.
3. Mettez le bouton du thermostat au réglage désiré. *Remarque :* Il est possible qu'un appareil de chauffage froid affecte le réglage du thermostat. Ce thermostat est une commande de chauffage globale. Il n'est pas prévu pour un contrôle précis de la température. Réglez le thermostat jusqu'à ce que l'appareil de chauffage fonctionne au réglage désiré.

Remarque: Si le radiateur ne fonctionne pas, reportez-vous à Dépistage des pannes section, page 12.



FONCTIONNEMENT DU RADIATEUR

Le cycle du radiateur sera de marche/arrêt pour maintenir la température réglée au thermostat. Pour déterminer une température spécifique, placez un thermomètre aux côtés ou à l'arrière du radiateur de 4 à 6 pieds (1,2 à 1,8m) au-dessus du plancher.

COMMENT ARRETER LE RADIATEUR

1. Réglez le radiateur au réglage le plus bas. Le radiateur s'arrêtera mais repartira lorsque la température ambiante s'abaissera à ce réglage.
2. Pour arrêter complètement le radiateur, débranchez la fiche de la prise de courant.



REMISE EN SERVICE

1. Débranchez la rallonge du cordon de la prise et attendez 10 secondes. (Attendez deux minutes si l'appareil vient de fonctionner.)
2. Répétez les opérations indiquées sous le titre *Mise en marche du radiateur*, page 10.

Dépistage des pannes

DIAGNOSTIC DES PANNES

⚠ AVERTISSEMENT : Pour éviter les risques de brûlure et de chocs électriques, n'effectuez aucune opération d'entretien sur l'appareil de chauffage lorsqu'il est branché, fonctionne, ou est chaud.

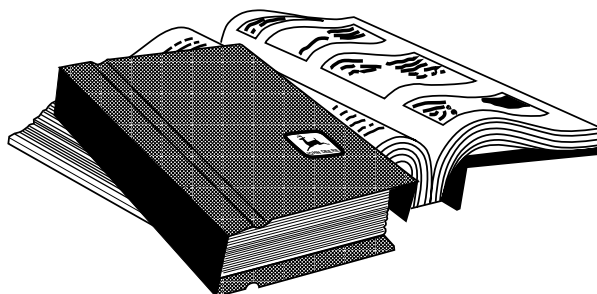
Symptôme	Problème	Solution
Le moteur ne démarre pas dans les cinq secondes après le branchement de l'appareil de chauffage	L'appareil n'est pas sous tension	Vérifiez le coupe-circuit du panneau électrique
	Le réglage du thermostat est trop bas	Tournez le bouton du thermostat à une position plus haute
	⚠ AVERTISSEMENT : Haute tension! Mauvaise connexion électrique entre le moteur et la commande d'allumage ou entre la commande d'allumage et le cordon d'alimentation	Vérifiez tous les branchements électriques
	Grippage du rotor de la pompe	Consultez votre concessionnaire John Deere
	Commande d'allumage défectueuse	Consultez votre concessionnaire John Deere
Le moteur démarre et tourne, mais l'appareil ne s'allume pas	Moteur défectueux	Consultez votre concessionnaire John Deere
	Pas de combustible dans le réservoir	Remplissez le réservoir avec du kérosène
	Pression incorrecte de la pompe	Consultez votre concessionnaire John Deere
	Filtre à combustible sale	Voir <i>Nettoyage de filtre à carburant</i> , page 19
	Obstruction dans la buse	Voir <i>Nettoyage de la buse à carburant</i> , page 17
	Eau dans le réservoir de combustible	Vidangez et rincez le réservoir de combustible avec du kérosène propre. Voir <i>Entreposage et entretien</i> , page 20
	⚠ AVERTISSEMENT : Haute tension! Mauvaise connexion électrique entre l'allumeur et la commande d'allumage	Vérifiez les connexions électriques
	Allumeur défectueux	Consultez votre concessionnaire John Deere
	Commande d'allumage défectueuse	Consultez votre concessionnaire John Deere
	L'appareil s'allume mais la commande d'allumage l'arrête après peu de temps	Pression incorrecte de la pompe
Filtres d'entrée d'air, de sortie d'air et/ ou à poussière sales		Consultez votre concessionnaire John Deere
Filtre à combustible sale		Voir <i>Nettoyage de filtre à carburant</i> , page 19
Obstruction dans la buse		Voir <i>Nettoyage de la buse à carburant</i> , page 17
Cellule photoélectrique mal installée (ne détecte pas la flamme)		Assurez-vous que l'enveloppe de la cellule photoélectrique est bien logée dans le support
Capteur malpropre de flamme		Consultez <i>Nettoyage du capteur de flamme</i> , page 15
⚠ AVERTISSEMENT : Haute tension! Mauvaise connexion électrique entre la cellule photoélectrique et la commande d'allumage		Vérifiez les connexions électriques
Capteur défectueux de flamme		Consultez votre concessionnaire John Deere
Commande d'allumage défectueuse		Consultez votre concessionnaire John Deere

Entretien périodique

RENSEIGNEMENTS D'ENTRETIEN SUPPLÉMENTAIRES

Ce manuel n'est pas un manuel d'entretien détaillé. Il ne renferme que les renseignements dont vous avez besoin pour le fonctionnement normal du radiateur.

Si vous désirez un manuel technique, consultez votre concessionnaire John Deere pour obtenir le manuel exact.



UTILISATION DE DONNÉES D'ENTRETIEN

1. Conservez un registre du nombre d'heures d'utilisation.
2. Vérifiez votre registre régulièrement pour savoir lorsqu'un entretien est nécessaire.
3. Effectuez tous les entretiens dans la section des intervalles. Puis inscrivez le nombre d'heures (de votre registre d'entretien) et la date dans les cases fournies à cette fin.

Diagramme circulaire de service

Date	Heure
1er juin '85	3
6 juin '85	2 – (5)
7 juin '85	1 – (6)
11 juin '85	4 – (10)
17 juin '85	3 (13)

150 HEURES

Vidangez le réservoir

Heures				
Date				
Heures				
Date				
Heures				
Date				
Heures				
Date				
Heures				
Date				

250 HEURES

Nettoyez le capteur de flammes.

Nettoyez le filtre d'admission d'air.

Nettoyez le ventilateur.

Heures				
Date				
Heures				
Date				
Heures				
Date				
Heures				
Date				
Heures				
Date				

500 HEURES

Nettoyez le capteur de flammes.

Nettoyez le filtre d'admission d'air.

Nettoyez le ventilateur.

Nettoyez le filtre à carburant.

Remplacez les filtres d'évacuation d'air et de charpie. Consultez votre concessionnaire John Deere pour l'entretien.

Heures				
Date				
Heures				
Date				
Heures				
Date				
Heures				
Date				
Heures				
Date				

ANNUELEMENT

Nettoyez la buse à carburant.

Vidangez le réservoir de carburant.

Nettoyez le filtre à carburant.

Nettoyez le capteur de flammes.

Nettoyez le filtre d'admission d'air.

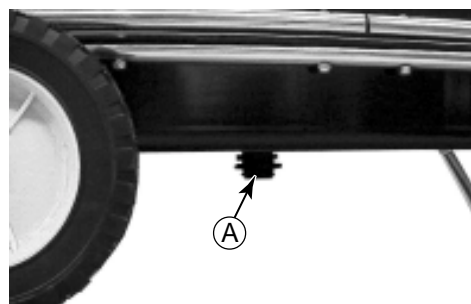
Nettoyez le ventilateur.

Heures				
Date				
Heures				
Date				
Heures				
Date				
Heures				
Date				
Heures				
Date				

⚠ ATTENTION: Avant d'effectuer l'entretien, débranchez le cordon d'alimentation de la prise de courant. À défaut de débrancher, le radiateur peut causer des blessures sérieuses. Laissez le temps au radiateur de se refroidir. Des blessures sérieuses et un choc électrique pourraient survenir.

VIDANGE DU RÉSERVOIR DE CARBURANT

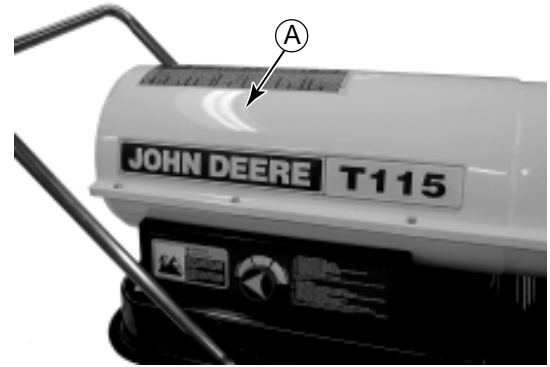
1. Enlevez le bouchon de vidange (A).
2. Vidangez et purgez le réservoir avec du carburant propre.
3. Remplacez le bouchon du réservoir de carburant.



NETTOYAGE DU CAPTEUR DE FLAMME

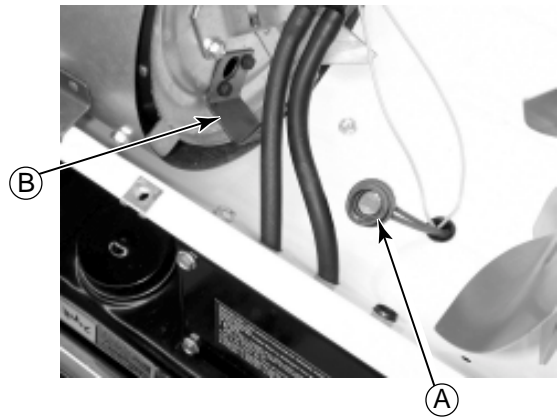
1. Déposez le boîtier supérieur (A) du radiateur en enlevant les vis autotaraudeuses..

Remarque: Le cône protecteur doit d'abord être enlevé sur le modèle T70.



IMPORTANT: NE courbez PAS le support de montage du capteur de flammes.

2. Déposez le capteur (A) du support (B) et nettoyez la face de la cellule photoélectrique à l'aide d'un chiffon propre.
3. Insérez le capteur dans le support.
4. Posez le boîtier supérieur.

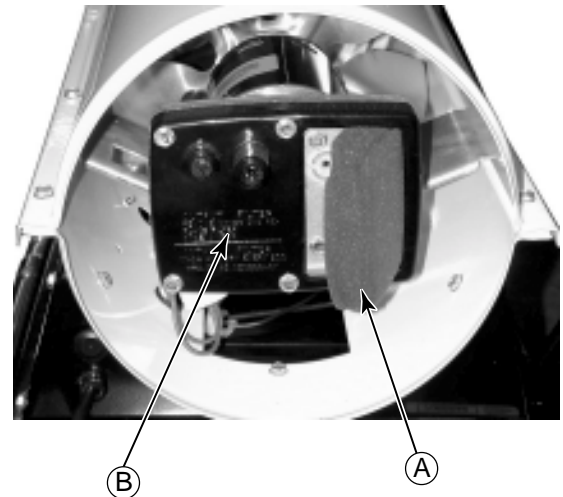


NETTOYAGE DE FILTRE D'ADMISSION D'AIR

1. Enlevez le boîtier supérieur et la bague en plastique du ventilateur.
2. Déposez le filtre (A) de couvercle (B).
3. Nettoyez-le avec un détergent doux et de l'eau tiède. Séchez-le à fond avant de le reposer. Remplacer au besoin.

IMPORTANT: NE huilez PAS le filtre ou la pompe.

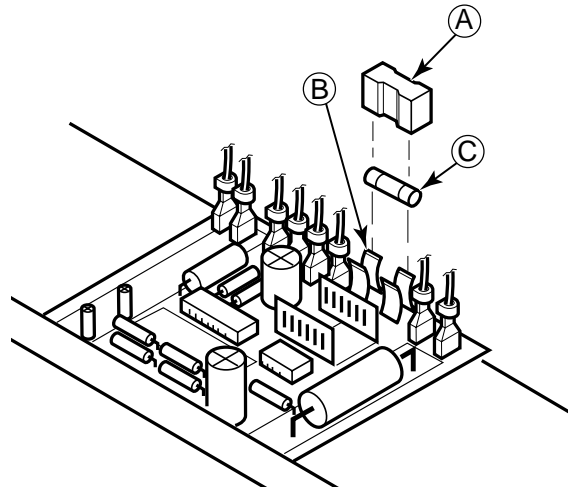
Il existe deux autres filtres à l'intérieur de la pompe ; un filtre de sortie d'air et un filtre à charpie. Consultez votre concessionnaire John Deere pour l'entretien.



REPLACEMENT DU FUSIBLE

⚠ AVERTISSEMENT: Haute tension!

1. Débranchez l'appareil de chauffage.
2. Enlevez les vis du couvret latéral pour exposer l'assemblage de commande d'allumage.
3. Retirez le couvercle du fusible (A).
4. Retirez le fusible de sa pince (B).
5. Remplacez le fusible (C) par un de type et capacité indentiques (GMA-10). Ne le remplacez pas par un fusible d'une capacité plus élevée.
6. Remettez le couvercle du fusible.
7. Remettez la plaque amovible.

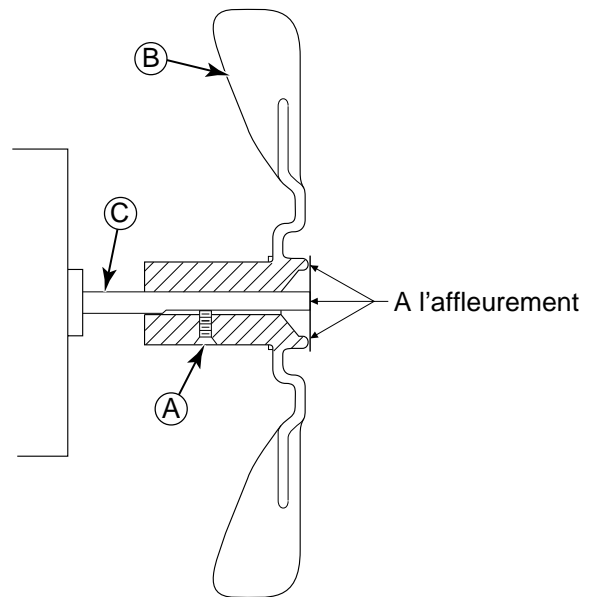


NETTOYAGE DU VENTILATEUR

⚠ ATTENTION: Les pales du ventilateur sont pointues. Soyez prudent lorsque vous travaillez autour des pales ou portez des gants lorsque vous enlevez des pièces.

IMPORTANT: Retirez le ventilateur de l'arbre du moteur avant de retirer ce dernier de l'appareil. Le poids du moteur sur le ventilateur pourrait fausser les pales.

1. Déposez le couvercle.
2. Desserrer les vis de blocage (A) qui retiennent le ventilateur (B) sur l'axe du moteur (C).
3. Retirez le ventilateur de l'axe du moteur.
4. Nettoyez le ventilateur avec un chiffon propre préalablement mouillé avec du kérosène ou un diluant.
5. Faites sécher le ventilateur complètement.
6. Remontez le ventilateur sur l'axe du moteur. Placez le moyeu du ventilateur à l'affleurement de l'arbre.
7. Positionnez les vis de blocage sur le méplat de l'arbre. Serrez-les fermement (de 4,5 à 5,6 N.m/40 à 50 po-lb).
8. Remontez la grille de protection du ventilateur et le couvercle.



NETTOYAGE DE LA BUSE À CARBURANT

1. Retirez le couvercle.

⚠ ATTENTION: Les pales du ventilateur sont pointues. Soyez prudent lorsque vous travaillez autour des pales ou portez des gants lorsque vous enlevez des pièces.

2. Retirez le ventilateur.

3. Enlevez les conduites flexibles (A) de combustible et d'air de (B) du montage de la buse (C).

4. Tournez l'assemblage de la buse d'un quart de tour vers la gauche pour enlever la bride de montage du brûleur (D).

5. Placez le corps hexagonal en plastique dans un étau et serrez légèrement.

6. Avec précaution, enlevez la buse (A) du porte-buse (B).

IMPORTANT: NE nettoyez PAS la buse avec un fil ou tout autre outil car vous pourriez l'endommager.

7. Soufflez de l'air comprimé dans la buse (D) par l'avant pour éliminer toutes les saletés.

8. Vérifiez que le manchon de la buse (C) n'est pas endommagé.

⚠ ATTENTION: Si la buse n'est pas serrée, du carburant pourrait couler dans le boîtier inférieur et causer un risque d'incendie.

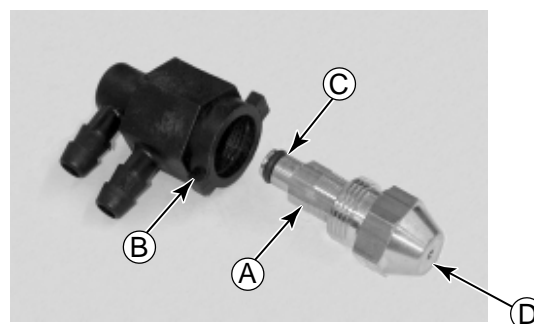
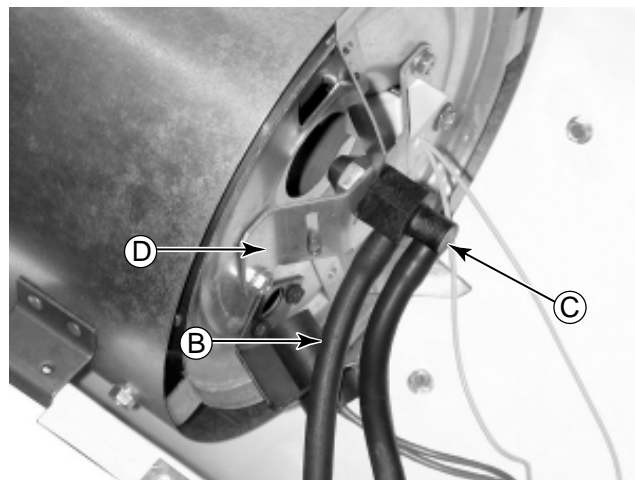
9. Remettez la buse dans le porte-buse jusqu'à ce qu'elle touche le fond. Serrez d'un tiers de tour supplémentaire à l'aide d'une clé à douille de 5/8 po (de 4,5 à 5,1 N.m [40 à 45 po-lb]).

10. Fixez la buse à l'attache de la bride de montage de brûleur.

11. Raccordez les conduites flexibles de combustible et d'air au porte-buse. Voir *Remplacement et acheminement correct des conduites de combustible et d'air*, page 18.

12. Remettez le ventilateur.

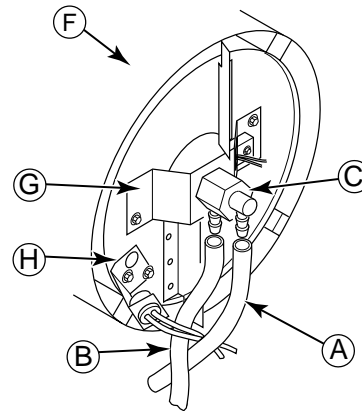
13. Remettez la grille de protection du ventilateur et le couvercle.



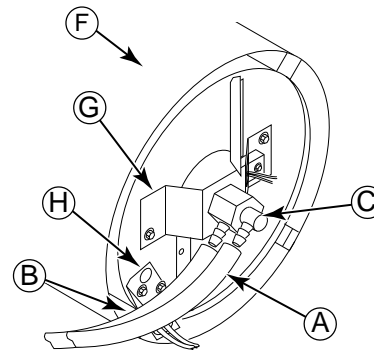
REPLACEMENT ET ACHEMINEMENT CORRECTS DE CONDUITES DE COMBUSTIBLE ET D'AIR

1. Retirez le couvercle.
2. Enlevez les vis des côtés latéraux.
3. Retirez la plaque amovible.
4. Vérifiez que les conduites flexibles de combustible (A) et d'air ne sont (B) ni fendillées ni trouées. Si la conduite flexible de combustible est endommagée, débranchez-la du porte-buse (C) et du filtre à combustible. Si la conduite flexible d'air est endommagée, débranchez-la du porte-buse et du raccord à griffes (D) du couvercle d'extrémité de la pompe (E).
5. Installez une conduite d'air et/ou de combustible neuve. Raccordez une extrémité de la conduite flexible d'air (B) au raccord à griffes (D) du couvercle d'extrémité de la pompe (E) et l'autre au porte-buse (C). Raccordez une extrémité de la conduite flexible de combustible (A) au filtre à combustible et l'autre au porte-buse. *Remarque :* Acheminer les conduites d'air et de carburant tel que montré aux illustrations. *Remarque :* Elles ne doivent pas toucher le support de la cellule photoélectrique (H).
6. Remettez la plaque amovible.
7. Remettez le couvercle et la grille de protection du ventilateur.

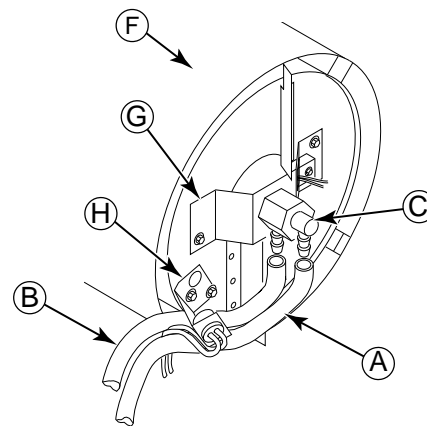
- A - Conduite flexible de combustible**
- B - Conduite flexible d'air**
- C - Ensemble buse-porte-buse**
- D - Raccord à griffes**
- E - Couvercle d'extrémité de pompe**
- F - Chambre de combustion**
- G - Bride de montage de brûleur**
- H - Support de cellule photoélectrique**



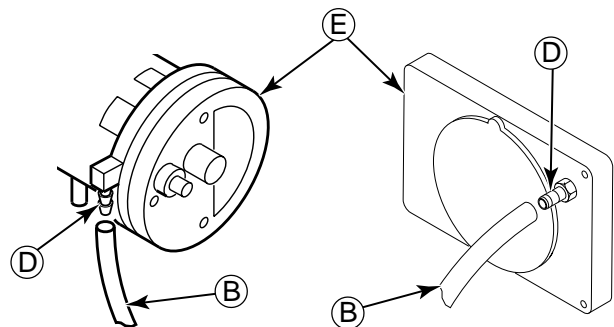
Modèle T70



Modèle T115



Modèle T165



Modèle T70

Modèles T115/T165

NETTOYAGE DE FILTRE À CARBURANT

1. Retirez la plaque amovible (A).
2. Enlevez la canalisation de carburant (A) du montage de filtre à carburant (B).
3. Sur le Modèle T70, avec un levier, forcez la bague (C) et le montage du filtre (B) vers le haut et enlevez-les du réservoir à carburant.

Sur les Modèles T115 et T165, sortez l'ensemble de filtre (B) avec soin de la bague (C).

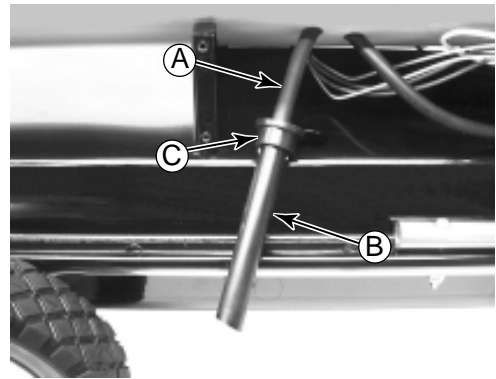
4. Nettoyez le filtre dans du carburant propre et vérifiez-le pour vous assurer qu'il n'est pas endommagé.

REMARQUE: Il n'est PAS nécessaire de déposer le filtre de l'ensemble de filtre sur le modèle T70. Sur les modèles T115 et T165, l'ensemble est monopiece.

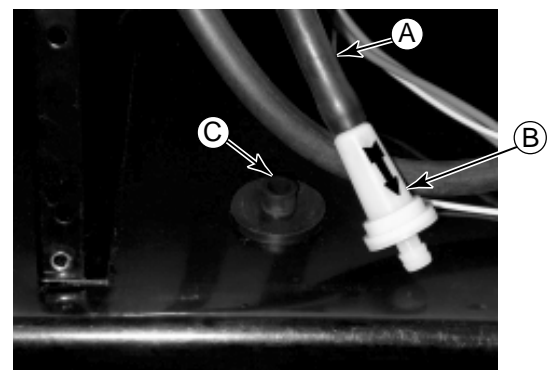
5. Posez l'ensemble de filtre et la bague (Modèle T70) dans le réservoir de carburant.

IMPORTANT: Assurez-vous que le filtre (Modèles T115 et T165) et la bague (Modèle T70) sont fermement calés dans le réservoir.

6. Branchez la canalisation de carburant et posez le couvercle .



Modèle T70



Modèles T115/T165

ENTREPOSAGE ET ENTRETIEN

Remarque: les sociétés de transport exigent que les réservoirs de combustible soient vides pour l'expédition.

1. Vidanger le combustible du réservoir.

Remarque: certains modèles sont équipés d'un bouchon de vidange au-dessous du réservoir. Le cas échéant, le retirer pour vidanger le réservoir. Si l'appareil de chauffage n'en est pas équipé, vidanger le réservoir par l'orifice de remplissage. Veiller à vider complètement le réservoir.

2. Le cas échéant, replacer le bouchon de vidange.
3. Si le vieux carburant contient des impuretés, ajouter 1 ou 2 litres de kérosène propre, remuer et vidanger à nouveau afin d'éviter que l'accumulation d'impuretés n'obstrue les filtres lors d'un usage futur.
4. Remettre le bouchon de vidange ou de remplissage. Mettre le vieux carburant sale au rebut selon une méthode appropriée. Se renseigner auprès d'une poste d'essence local qui recycle l'huile.
5. Entreposer l'appareil de chauffage dans un endroit sec, à l'abri de la poussière et des vapeurs corrosives.

IMPORTANT : ne pas entreposer le kérosène pour la durée de l'été en vue de l'utiliser la saison suivante. L'usage de combustible défraîchi pourrait endommager l'appareil de chauffage.

Lorsque le radiateur n'est plus entreposé, effectuez les procédures d'entretien suivantes. Reportez-vous à la section *Entretien périodique*, page 13.

⚠ ATTENTION: Vérifiez pour vous assurer qu'il n'y a pas de nids d'oiseaux, de guêpes, de rongeurs ou autres objets étrangers. Vérifiez pour vous assurer qu'il n'y a pas de fuite. Vérifiez le cordon électrique pour vous assurer qu'il n'est pas endommagé.

Nettoyez le ventilateur.

Nettoyez le capteur de flammes.

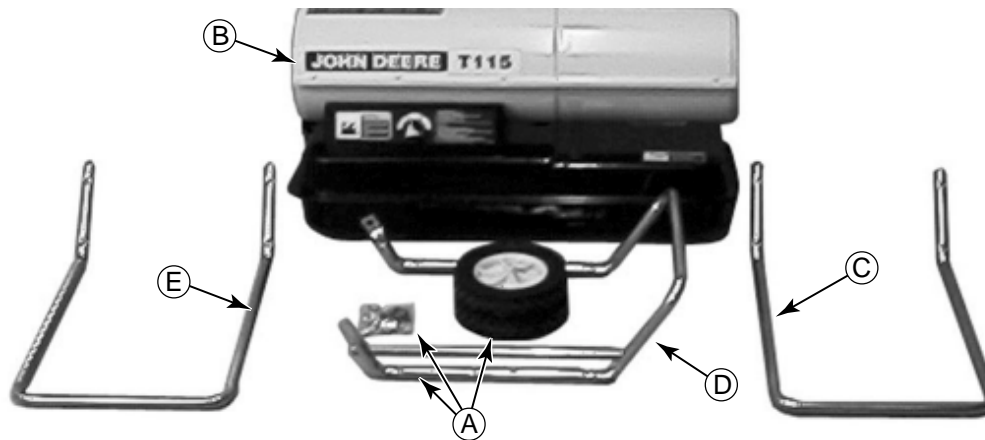
Nettoyez l'extérieur du radiateur.

Remplissez-le de carburant propre.

Ne huilez pas les palettes de la pompe et le rotor.

Assemblage

DÉBALLAGE DES COMPOSANTES



A - Essieu, Quincaillerie, et Roues **B - Radiateur** **D - Bâti de support de roue** **E - Poignée Arrière**
C - Poignée Avant

Enlever les composantes de la boîte d'emballage et vérifiez s'il y a du dommage ou s'il manque des pièces.

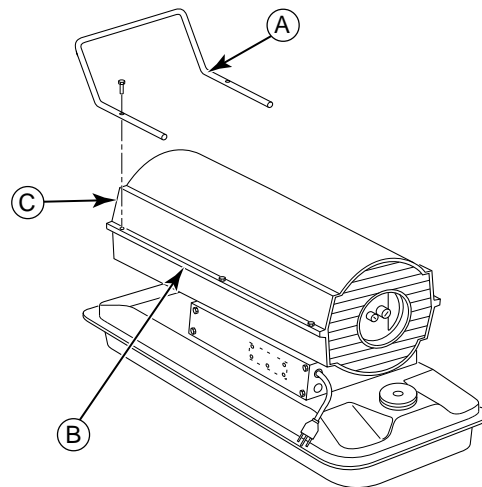
COMMENT INSTALLER LE CÔNE PROTECTEUR

IMPORTANT: NE PAS EMPLOYER CECI COMME POIGNÉE.

(Pour le Modèle T70 seulement)

Ce modèle est livré avec un cône protecteur (A). Le cône protecteur et les vis d'assemblage se trouvent dans la boîte d'emballage.

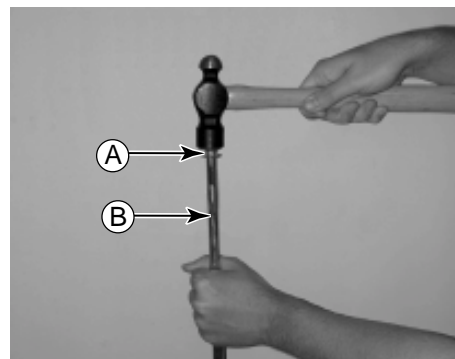
1. Placez les bras de la barre de protection sur le rebord du couvercle (B). Assurez-vous que la barre se trouve du côté de la sortie d'air chaud de l'appareil (C).
2. Faites passer les vis dans les trous de fixation de la barre et vissez-les sur le rebord du couvercle.
3. Serrez les vis fermement.
4. Assemblez les roues et les poignées selon les instructions qui suivent.



Modèle T70 seulement

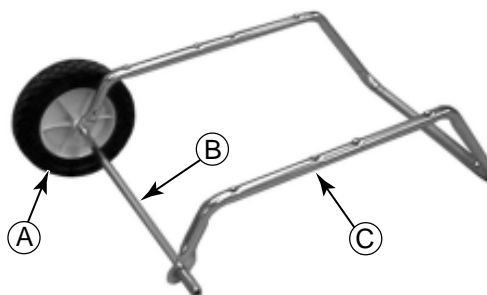
ROUES ET ESSIEU

1. Posez l'écrou borgne (A) à l'extrémité de l'essieu (B).



2. Faites glisser la roue (A) sur l'essieu (B) avec le côté prolongé du moyeu de roue loin de l'écrou borgne.

3. Posez l'essieu sur le bâti de support des roues (C).



4. Posez la roue (A), avec le côté prolongé du moyeu de roue vers le bâti de support de roue (B) sur l'essieu (C).

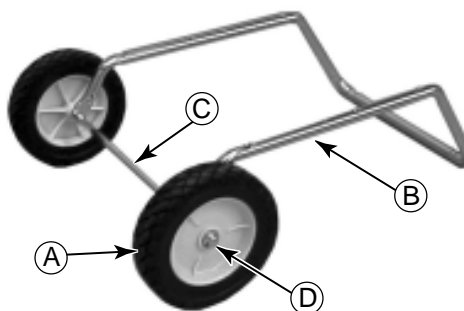
5. Posez l'écrou borgne (D) sur l'essieu.

A-Roue

B-Bâti de support de roue

C-Essieu

D-Écrou borgne

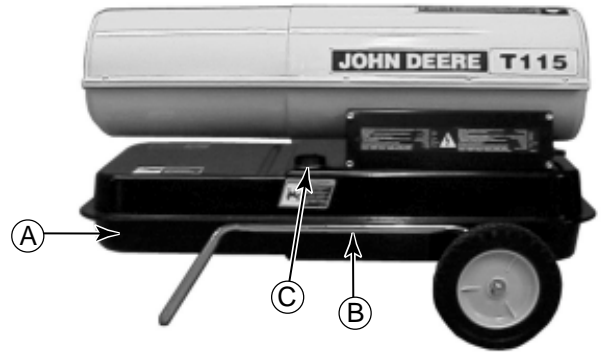


COMMENT ATTACHER LE RADIATEUR ET LES POIGNÉES.

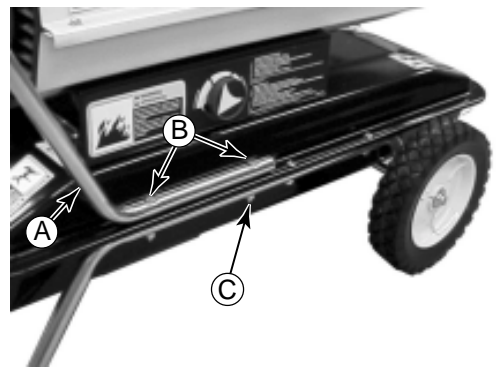
1. Installez l'assemblage du radiateur (A) sur le cadre de support des roues (B). Alignez les trous de l'assemblage du radiateur et du cadre de support des roues (voir illustration ci-dessous).

Remarque : Les roues doivent être à l'extrémité où se trouve la sortie de l'air chaud du radiateur sur le T70 SEULEMENT. (Voir L'image suivante ci-dessous).

2. Installez le couvert de la jauge de carburant (C).



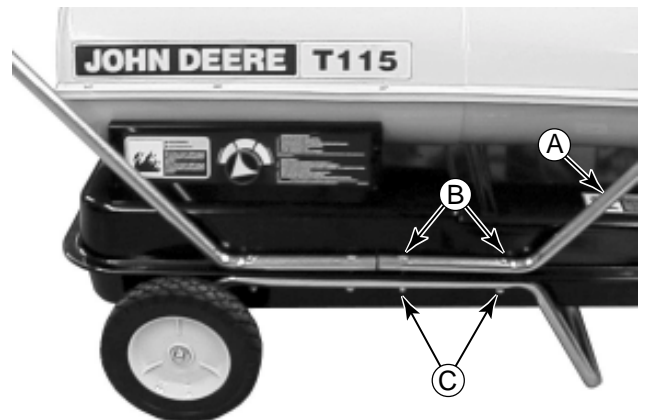
3. Posez la poignée arrière (A) à l'aide de vis (B) et d'écrous de blocage (C). **NE PAS TROP SERRER.**



Modèle T70

4. Posez la poignée avant (A) (sauf pour T70) à l'aide de vis (B) et d'écrous de blocage (C) **NE PAS TROP SERRER.**

5. Resserrer toutes les vis et tous les écrous.



Fiche technique

	Modèle T70	Modèle T115	Modèle T165
Rendement	70 000 BTU/h (74 MJ)	115 000 BTU/h (121,3 MJ)	165 000 BTU/h (174,1 MJ)
Sortie d'air (approximative)	360 pi ³ la minute (611 m ³ /h)	490 pi ³ la minute (830 m ³ /h)	575 pi ³ la minute (977 m ³ /h)
Combustible	Kérosène ou mazout n° 1	Kérosène ou mazout n° 1	Kérosène ou mazout n° 1
Tension	120 ca	120 ca	120 ca
Cycle	60 Hz.	60 Hz.	60 Hz.
Ampérage (départ)	5.75	7.5	7.5
Ampérage (fonctionnement normal)	2.8	3.6	3.6
Régime du moteur	3450 tr/min	3450 tr/min	3450 tr/min
Poids (à vide) (approximatif)	37 lb (17 kg)	49 lb (23 kg)	56 lb (26 kg)
Longueur	34 po (864 mm)	41 po (1042 mm)	46 po (1170 mm)
Largeur	15 po (380 mm)	19 po (480 mm)	22 po (560 mm)
Hauteur	20 po (510 mm)	22 po (560 mm)	25 po (635 mm)
Contenance du réservoir	5.0 gal. U.S. (18,9 L)	9.0 gal. U.S. (34,1 L)	13.5 gal. U.S. (51,1 L)
Consommation de carburant	0.50 gal (1,89 L) par heure	0.85 gal (3,22 L) par heure	1.2 gal (4,54 L) par heure
Moteur	1/8 hp (93,2 W)	1/5 hp (149,1 W)	1/5 hp (149,1 W)
Pression de pompe à air	4.7 lb/po ² (32,41 kPa) (0,324 bar)	5.3 lb/po ² (36,54 kPa) (0,365 bar)	5.6 lb/po ² (38,61 kPa) (0,386 bar)

(Les caractéristiques et les modèles peuvent être modifiés sans préavis.)

Identification du numéro de série

EMPLACEMENT DE LA PLAQUE DU NUMÉRO DE SÉRIE

Le numéro de série (A) du radiateur est situé à l'arrière du réservoir de carburant.

Lorsque vous commandez des pièces, donnez le numéro de série et le modèle du radiateur au concessionnaire. Enregistrez ces renseignements, à titre de référence.

RADIATEUR PORTATIF JOHN DEERE

No de modèle _____

No de série _____

Date d'achat _____

(À être rempli par l'acheteur)



Publications de service John Deere disponibles

CATALOGUE DES PIÈCES

Le catalogue des pièces donne la liste des pièces de rechange disponibles pour votre appareil alors qu'une vue agrandie des illustrations qui vous aidera à identifier les bonnes pièces. Il vous aidera aussi lors de l'assemblage et du déassemblage.



MANUEL DE L'OPÉRATEUR

Le manuel de l'opérateur offre de l'information au sujet de la sécurité, du fonctionnement, de l'entretien et du service des machines John Deere.

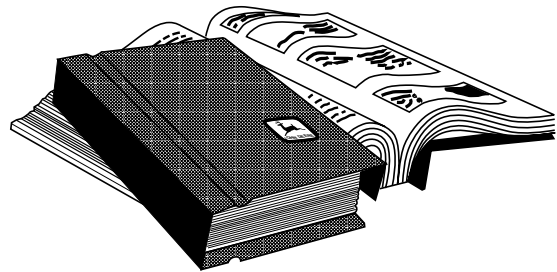
Une copie supplémentaire du manuel de l'opérateur est disponible. Le manuel de l'opérateur et les placards sur votre appareil peuvent aussi être disponibles en d'autres langues. (Consultez votre concessionnaire John Deere pour les commander.)



LIVRES PUBLIÉS PAR JOHN DEERE

Couvrant tous les véhicules, peu importe le fabricant, chaque livre débute par la théorie de base et continue avec les systèmes complexes. Il en existe quatre séries:

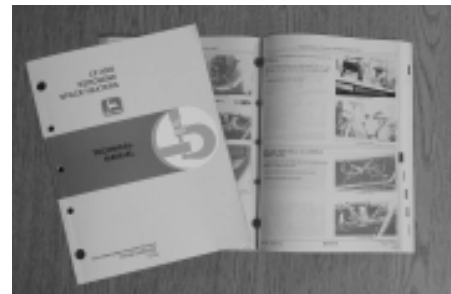
- Gestion des équipements de ferme (FBM)
- Principes fondamentaux de l'opération d'appareils (FMO)
- Principes fondamentaux de l'entretien (FOS)
- Principes fondamentaux de l'entretien de matériel compact (FCP)
- Séries vedettes (FP)



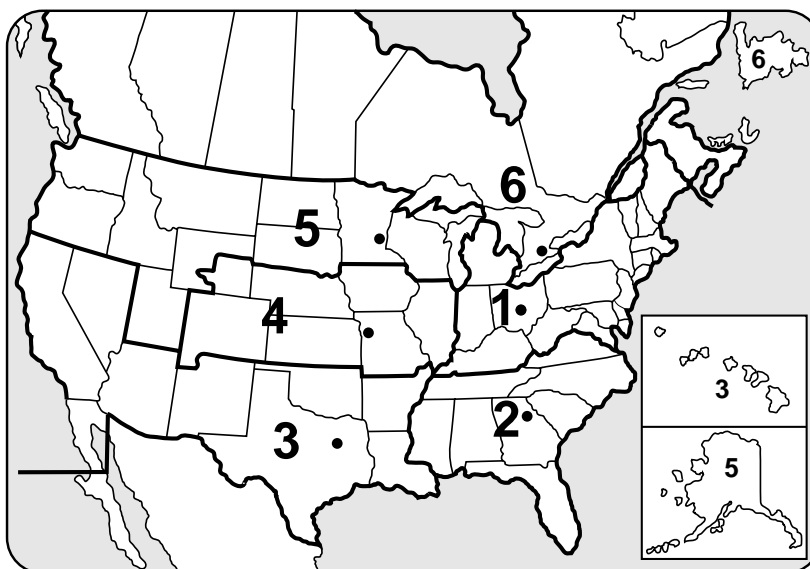
MANUELS TECHNIQUES ET SUR L'ENTRETIEN

Les manuels techniques et d'entretien sont des guides d'entretien de votre appareil. Les spécifications, le diagnostic et les ajustements sont compris dans ces manuels. Il y a aussi des illustrations de procédures d'assemblage et de déassemblage, de cheminements d'huile hydraulique et de schémas de câblage.

Les manuels techniques de composantes sont nécessaires pour certains produits. Ces manuels en supplément traitent de composantes spécifiques.



JOHN DEERE EST À VOTRE SERVICE QUAND VOUS EN AVEZ BESOIN



1. JOHN DEERE COMPANY

701 Georgeville Road
Columbus, OH 43228-2499
614-275-1500 (Fax: 614-275-1450)

2. JOHN DEERE COMPANY

2001 Deere Drive
Conyers, GA 30208
770-922-7040 (Fax: 770-388-2138)

3. JOHN DEERE COMPANY

P.O. Box 540598
Dallas, TX 75354-0598
214-385-1701 (Fax: 214-663-2390)

4. JOHN DEERE COMPANY

3210 East 85th Street
Southeast Station
Kansas City, MO 64132-2586
816-361-4000 (Fax: 816-995-9381)

5. JOHN DEERE COMPANY

2001 West 94th Street
Bloomington, MN 55431-3211
612-887-6200 (Fax: 612-887-6385)

6. JOHN DEERE LIMITED

South Service Road at Hunter
Grimsby, Ontario, Canada L3M 4H5
905-945-9281 (Fax: 905-945-0341)

LA SATISFACTION DU CLIENT est importante à John Deere. Nous sommes fiers de vous fournir un service supérieur. Nous serons disponibles lorsque vous aurez besoin de nous:

- Nous maintenons un inventaire important et varié pour vous aider à minimiser vos temps d'arrêt.
- Des outils de précision et du matériel de vérification aident nos techniciens à localiser et à corriger les malfunctions.
- Nous offrons régulièrement des cours d'entraînement à nos techniciens de sorte qu'ils connaissent votre matériel et la manière de l'entretenir.
- Notre but est de fournir un service prompt et efficace grâce à nos concessionnaires compétents.

PROCEDURE DE RÉOLUTION DE RÉCLAMATIONS

Votre concessionnaire est la meilleure et la plus rapide source de solution de tous problèmes que vous pourriez avoir avec votre produit.

1. Ayez les renseignements suivants sous la main:
 - Modèle de l'appareil et numéro d'identification du produit
 - Date d'achat
 - Nature du problème
2. Discutez de vos problèmes avec le responsable du service de votre concessionnaire.
3. Si vous n'arrivez pas à résoudre le problème, voyez le gérant de votre concessionnaire. Expliquez-lui le problème et demandez son assistance.
4. Si vous avez un problème qui persiste et que votre concessionnaire n'est pas capable de solutionner à votre satisfaction, demandez à votre concessionnaire de contacter le gérant après-vente de John Deere du territoire pour arriver à une solution.
5. Si un problème n'est pas résolu à votre satisfaction, contactez le gérant aux ventes de la succursale John Deere appropriée de votre région et demandez à parler au gérant après-vente. (Consultez la carte.)



Free Manuals Download Website

<http://myh66.com>

<http://usermanuals.us>

<http://www.somanuals.com>

<http://www.4manuals.cc>

<http://www.manual-lib.com>

<http://www.404manual.com>

<http://www.luxmanual.com>

<http://aubethermostatmanual.com>

Golf course search by state

<http://golfingnear.com>

Email search by domain

<http://emailbydomain.com>

Auto manuals search

<http://auto.somanuals.com>

TV manuals search

<http://tv.somanuals.com>