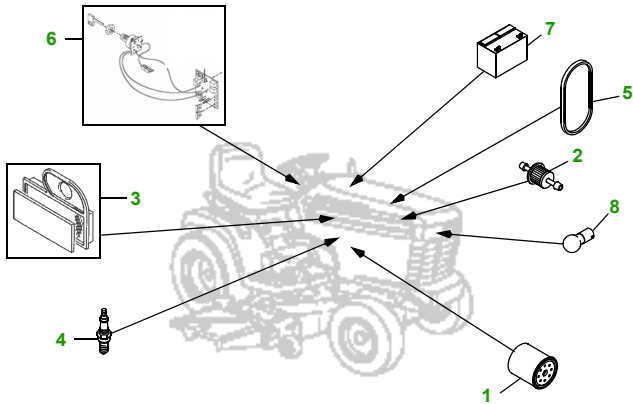


MAINTENANCE REMINDER SHEET

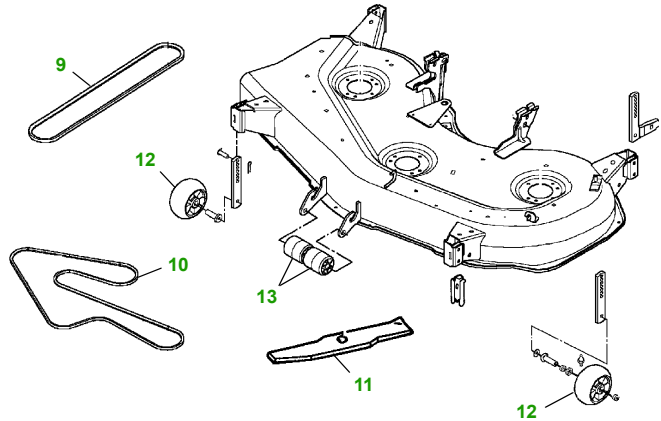
LX279 with 48C Deck

Lawn Tractor



Tractor S/N

48" Convertible Deck



Deck S/N

Key	Part No.	Description
1	AM107423	ENGINE OIL FILTER
2	AM116304	FUEL FILTER - IN-LINE
	GY20709	FUEL FILTER - IN-LINE (PACKAGE)
3	M76076	FOAM AIR FILTER ELEMENT
	MIU10778	PAPER AIR FILTER ELEMENT
4	M138938	SPARK PLUG
5	M146667	BELT - TRACTION DRIVE
6	AM131841	KEY - PADDED
	AM132500	IGNITION SWITCH

Key	Part No.	Description
7	TY25881	BATTERY
8	AD2062R	HALOGEN HEADLIGHT BULB
9	M143019	BELT - PRIMARY
10	M154958	BELT - SECONDARY
11	M145476	BLADE - STANDARD
	M127673	BLADE - MULCHING
12	AM133602	GAGE WHEEL - FRONT
	AM125172	GAGE WHEEL - REAR
13	M113955	ROLLER

Service Recommendations

Qty	Part No	Item	Qty or Capacity	Change Interval in Hours
4	AM107423	Engine Oil Filter	1	25/50/150/250
1	TY22076	2 1/2 GAL. Engine Oil Turf Gard® 10W30	1.9 qt	25/50/150/250
1	AM116304	Fuel Filter	1	200
1	TY25081	Cool-Gard pre Diluted coolant	2.8 qt	200
2	TY6341	JD Multi Purpose SD Polyurea Grease		As Needed

"As Needed" Parts

Qty	Part No	Item
1	AM123507	Fuel Cap
1	AM130907	Mower Deck Leveling Gauge
1	TY26183	Grease Gun

FOR ON-LINE PARTS ASSISTANCE:

www.JDParts.Deere.com



- VIEW [John Deere Parts Catalog](#) to look-up part numbers
- ORDER parts on-line from your [John Deere Dealer](#)
- SEARCH for parts for [YOUR specific model](#)
- SEARCH for parts by [Partial Part Number](#)

www.Deere.com

- PRINT [Valuable Parts Coupons](#) for discounts at your John Deere Dealer
- REVIEW John Deere [Parts Quality Stories](#)
- SEE a complete list of all [Home Maintenance Kits](#)
- CONSIDER [Quick Reference Guides](#) for your commercial equipment

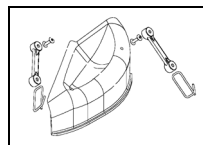
FOR ON-LINE SERVICE ASSISTANCE:

www.Deere.com

- VIEW [Technical \(Service\) Publications and Operator's Manuals](#)
- SELECT the desired [Maintenance Plan](#) that is right for you
- UNDERSTAND the [John Deere Warranty](#) on your equipment

OTHER SITES:

- SEARCH [Home & Workshop Products](#) off the Residential section at Deere.com.
- GO TO www.johndeerecredit.com to find your finance solution
- FIND the mower that is right for you through our [JD Mower Selection Tool](#)
- GO TO www.johndeeregifts.com to stop by John Deere's "General Store"



Mulch Kit BM20007

Dealer Name
Contact Name
Dealer Phone No



Home Maintenance Kit

Unit	Kit Number
LX279	LG197



Free Manuals Download Website

<http://myh66.com>

<http://usermanuals.us>

<http://www.somanuals.com>

<http://www.4manuals.cc>

<http://www.manual-lib.com>

<http://www.404manual.com>

<http://www.luxmanual.com>

<http://aubethermostatmanual.com>

Golf course search by state

<http://golfingnear.com>

Email search by domain

<http://emailbydomain.com>

Auto manuals search

<http://auto.somanuals.com>

TV manuals search

<http://tv.somanuals.com>