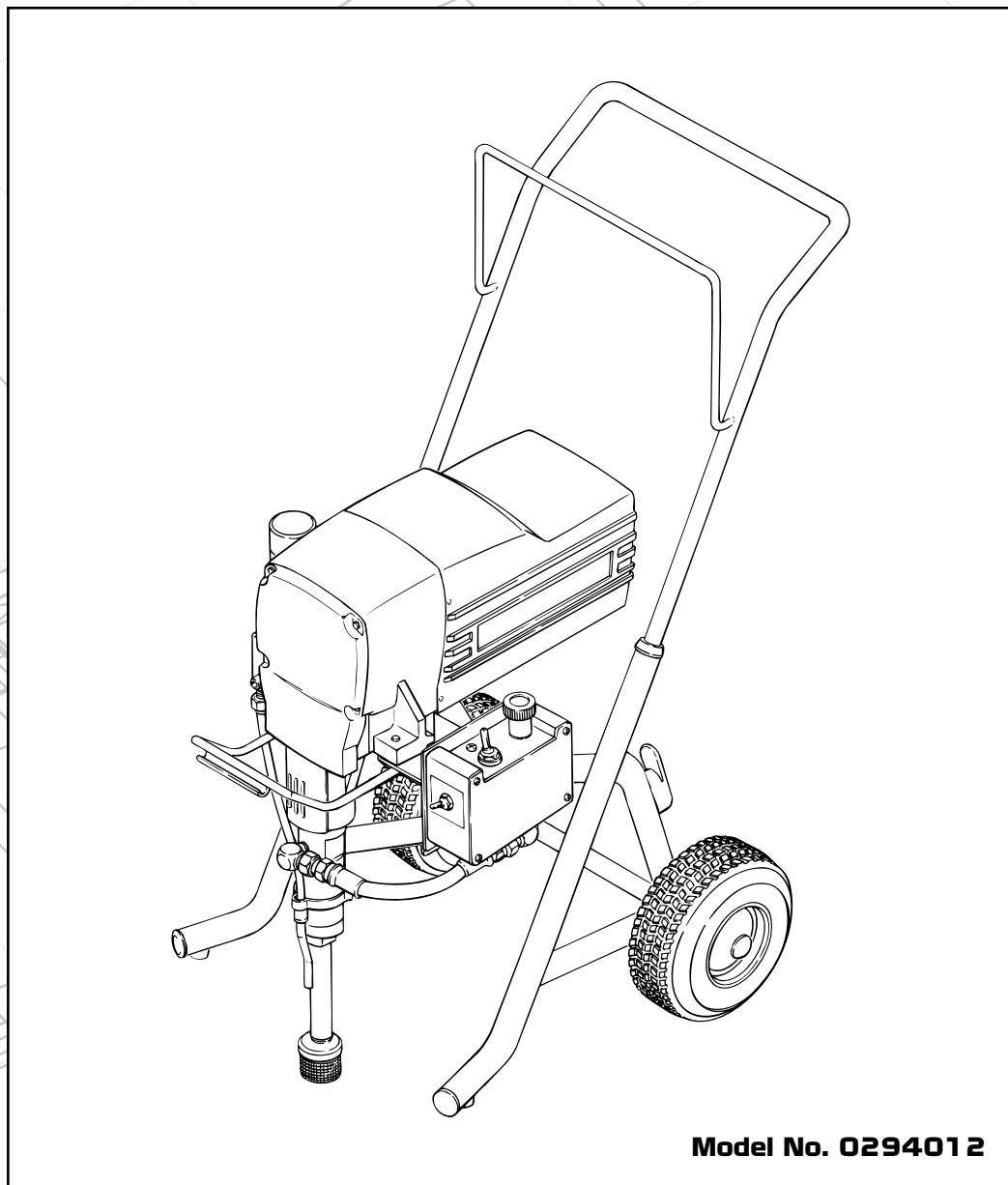


# ***EP2510 Piston Pump*** ***120V Standard***

**Owner's Manual · Notice d'utilisation · Manual del Proprietario**



***SprayTECH***<sup>®</sup>  
**THE DEPENDABLE CHOICE™**

Printed in the U. S. A.

**SprayTECH**  
1770 Fernbrook Lane  
Minneapolis, MN 55447

Technical Assistance: 1-800-292-4637  
Order Entry: 1-800-443-4500  
Fax: 1-800-525-9501

[www.spraytechinc.com](http://www.spraytechinc.com)

0100 © 2000 SprayTECH Corporation. All rights reserved. Form No. 0508861A

**Español** **Français** **English**

# Table Of Contents

<b>Specifications</b> .....	2
20 Amp Mode .....	2
15 Amp Mode .....	2
<b>Safety Precautions</b> .....	2
Grounding Instructions .....	3
Extension Cord Selection .....	4
<b>Initial Setup</b> .....	4
Purging the Sprayer .....	4
<b>Operating the Sprayer</b> .....	5
Setting the Pressure .....	6
Using the Spray Gun .....	6
Pressure Relief Procedure .....	6
Priming the Sprayer .....	6
<b>Spraying</b> .....	6
Spraying Techniques .....	6
Practice .....	7
<b>Cleanup</b> .....	7
<b>Maintenance</b> .....	7
Daily Maintenance .....	7
Additional Maintenance .....	8
<b>Troubleshooting</b> .....	11
<b>Parts Listings</b> .....	32
Final Assembly .....	32
Drive Assembly .....	34
Pressure Control Assembly .....	36
Motor Assembly .....	38
Transducer Assembly .....	39
Fluid Section Assembly .....	40
Filter/Valve Assembly .....	41
PRIME/SPRAY Valve Assembly .....	42
Cart Assembly .....	43
Accessories .....	43
Gun Filters .....	44
Pressure Control Wiring Diagram .....	45
<b>Warranty</b> .....	46

## Specifications

### Model EP2510 120V

#### 20 Amp Mode

Gallons per minute (GPM) .....	1.25
Fluid section .....	dual stroke static packing with reversible valve seats
Maximum pressure .....	3000 PSI
Motor electric (universal) .....	1.5 HP
Amperage .....	17 amps
Electrical protection .....	22 amp circuit breaker
Maximum tip size .....	1 gun: .035"; 2 guns: .023"
Hose length .....	300 feet
Maximum extension cord .....	100 feet, 12 gauge
Weight .....	110 lbs.
Dimensions .....	33" L x 41" H x 26" W

#### 15 Amp Mode

Gallons per minute (GPM) .....	0.8
Fluid section .....	dual stroke static packing with reversible valve seats
Maximum pressure .....	3000 PSI
Motor electric (universal) .....	1.5 HP
Amperage .....	15 amps
Electrical protection .....	20 amp circuit breaker
Maximum tip size .....	1 gun: .027"; 2 guns: .019"
Hose length .....	200 feet
Maximum extension cord .....	100 feet, 12 gauge
Weight .....	110 lbs.
Dimensions .....	33" L x 41" H x 26" W

## Safety Precautions

This manual contains information which must be read and understood before using the equipment. When you come to an area which has one of the following symbols, pay particular attention and make certain to heed the safeguard.



This symbol indicates a potential hazard which may cause serious injury or loss of life. Important safety information will follow.



This symbol indicates a potential hazard to you or to the equipment. Important information that tells how to prevent damage to the equipment or how to avoid causes of minor injuries will follow.

**NOTE:** Notes give important information which should be given special attention.



**HAZARD: INJECTION INJURY - A high pressure stream of paint produced by this equipment can pierce the skin and underlying tissues, leading to serious injury and possible amputation.**

**DO NOT TREAT AN INJECTION INJURY AS A SIMPLE CUT! Injection can lead to amputation. See a physician immediately.**

#### PREVENTION:

- The maximum operating range of the unit is 3000 PSI fluid pressure.
- NEVER aim the gun at any part of the body.
- NEVER allow any part of the body to come in contact with the fluid stream. DO NOT come in contact with a fluid stream created by a leak in the fluid hose.
- NEVER put your hand in front of the gun. Gloves will not provide protection against an injection injury.
- ALWAYS lock the gun trigger, shut the fluid pump off and release all pressure before servicing, cleaning the tip guard, changing tips, or leaving unattended. Pressure will not be released by turning off the motor. The PRIME/SPRAY knob must be turned to PRIME to relieve the pressure. Refer to the PRESSURE RELIEF PROCEDURE described in this manual.
- ALWAYS have the tip guard in place while spraying. The tip guard provides some protection against injection injuries but is mainly a warning device.
- ALWAYS remove the spray tip before flushing or cleaning the system.
- The paint hose can develop leaks from wear, kinking and abuse. A leak is capable of injecting material into the skin. Inspect the paint hose before each use.
- NEVER use a spray gun which does not have a trigger lock or trigger guard in place and in working order.
- All accessories must be rated at or above 3000 PSI. This includes spray tips, guns, extensions, and hose.
- In case of a skin injection, see a physician immediately.

#### NOTE TO PHYSICIAN:

**Injection into the skin is a traumatic injury. It is important to treat the injury surgically as soon as possible. DO NOT delay treatment to research toxicity. Toxicity is a concern with some coatings injected directly into the blood stream. Consultation with a plastic surgeon or reconstructive hand surgeon may be advisable.**

**HAZARD: EXPLOSION OR FIRE - Solvent and paint fumes can explode or ignite, causing property damage and/or severe injury.**

**PREVENTION:**

- Exhaust and fresh air introduction must be provided to keep the air within the spray area free from accumulation of flammable vapors.
- Avoid all ignition sources such as static electricity sparks, open flames, pilot lights, hot objects, cigarettes, and sparks from connecting and disconnecting power cords or working light switches.
- Fire extinguishing equipment must be present and in good working order.
- Keep the unit in a well ventilated location away from the spray area to avoid solvent and paint fumes. The pump contains arcing parts which emit sparks.
- High velocity flow of material through equipment may develop static electricity. The equipment being used, as well as objects in and around the spray area, must be properly grounded to prevent static discharge and sparks.
- Use only conductive or grounded high pressure fluid hoses for airless applications. Be sure that the gun is grounded properly through hose connections.
- The power cord must be connected to a grounded circuit.
- Use extreme caution when using materials with a flashpoint below 70° F (21° C). A fluid's flashpoint is the temperature at which vapors from the fluid could ignite if exposed to a flame or spark.
- Follow the material and solvent manufacturer's safety precautions and warnings.
- When flushing equipment use the lowest possible pressure.

**HAZARD: EXPLOSION HAZARD DUE TO INCOMPATIBLE MATERIALS- May cause property damage or severe injury.**

**PREVENTION:**

- Do not use bleach.
- Do not use halogenated hydrocarbon solvents such as methylene chloride and 1,1,1 - trichloroethane. They are not compatible with aluminum and may cause an explosion. If you are unsure of a material's compatibility with aluminum, contact your coating's supplier.

**HAZARD: HAZARDOUS VAPORS - Paints, solvents, insecticides, and other materials may be harmful if inhaled, causing severe nausea, fainting, or poisoning.**

**PREVENTION:**

- Use a respirator or mask whenever there is a chance that vapors may be inhaled. Read all instructions with the mask to ensure that it will provide the necessary protection against the inhalation of harmful vapors.

**HAZARD: GENERAL - May cause property damage or severe injury.**

**PREVENTION:**

- Read all instructions and safety precautions before operating any equipment.
- Comply with all appropriate local, state, and national codes governing ventilation, fire prevention, and operation.
- The United States Government Safety Standards have been adopted under the Occupational Safety and Health Act (OSHA). These standards, particularly part 1910 of the General Standards and part 1926 of the Construction Standards should be consulted.
- This high pressure airless pump is designed to be used with manufacturer authorized parts only. When using this pump with parts that do not comply with the minimum specifications and safety devices of the pump manufacturer, the user assumes all risks and liabilities.

- Before each use, check all hoses for cuts, leaks, abrasion or bulging of cover, as well as damage or movement of couplings. If any of these conditions exist, replace the hose immediately. Never repair a paint hose. Replace it with another grounded hose.
- All hoses, swivels, guns, and accessories used with this unit must be pressure rated at or above 2750 PSI.
- Do not spray on windy days.
- Wear protective eyewear.

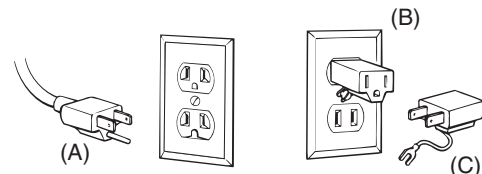


**Use only a 3-wire extension cord that has a 3-blade grounding plug and a 3-slot receptacle that will accept the plug on the product. Make sure your extension cord is in good condition. When using an extension cord, be sure to use one heavy enough to carry the current your product will draw. An undersized cord will cause a drop in line voltage resulting in loss of power and overheating. A 14 or 12 gauge cord is recommended.**

### Grounding Instructions

This product must be grounded. In the event of an electrical short circuit, grounding reduces the risk of electric shock by providing an escape wire for the electric current. This product is equipped with a cord having a grounding wire with an appropriate grounding plug. The plug must be plugged into an outlet that is properly installed and grounded in accordance with all local codes and ordinances.

This product is for use on a nominal 120 volt circuit and has a grounding plug that looks like the plug illustrated in sketch A. If a properly grounded outlet is not available, a temporary adapter which looks like the adapter illustrated in sketch B and C may be used. The temporary adapter should be used only until a properly grounded outlet can be installed by a qualified electrician. The green colored rigid ear lug or the grounding wire extending from the adapter must be connected to a permanent ground such as a properly grounded outlet box cover. Whenever the adapter is used, it must be held in place by a metal screw.



**Improper installation of the grounding plug can result in a risk of electric shock.**

If repair or replacement of the cord or plug is necessary, do not connect the green grounding wire to either flat blade terminal. The wire with insulation having a green outer surface with or without yellow stripes is the grounding wire and must be connected to the grounding pin.

Check with a qualified electrician or serviceman if the grounding instructions are not completely understood, or if you are in doubt as to whether the product is properly grounded. Do not modify the plug provided. If the plug will not fit the outlet, have the proper outlet installed by a qualified electrician.

## Extension Cord Selection

If an extension cord is used, make sure that it is of the 3-conductor type with NEMA connectors so a continuous grounding circuit is provided from the tool to the power circuit receptacle. Also, be sure that the conductor size is large enough to prevent excessive voltage drop which will cause loss of power and possible motor damage to the unit. A table of recommended extension cord sizes is shown below.

For nameplate ampere ratings which are between those given, use the extension cord recommended for the next higher ampere rating.

If an extension cord is to be used outdoors, it must be marked with the suffix W-A following the cord type designation. For example, SJTW-A to indicate that it is acceptable for outdoor use.

		Extension Cord Length					
		25 ft.	50 ft.	75 ft.	100 ft.	125 ft.	150 ft.
Nameplate Ampere Rating	0 to 5	18	18	18	18	18	18
	6	18	18	18	18	18	16
	7	18	18	18	18	16	16
	8	18	18	18	16	16	16
	9	18	18	18	16	16	14
	10	18	18	18	16	14	14
	11	16	16	16	16	14	14
	12	16	16	16	16	14	14
	13	16	16	16	14	14	14
	14	14	14	14	14	14	12
	15	14	14	14	14	14	12
	16	14	14	14	14	12	12
	17	14	14	14	14	12	12
	18	14	14	14	14	12	12
	19	12	12	12	12	12	12
	20	12	12	12	12	12	12

## Initial Setup

The Piston Pump unit is fully assembled upon delivery. Follow these simple steps for setup:

1. Pull up on the handle until the button locks snap into place.

## Purging the Sprayer

This unit is shipped with test fluid in the fluid section to prevent corrosion during shipment and storage.

If you are going to spray with latex paint, the test fluid must be purged and then thoroughly cleaned out of the system.

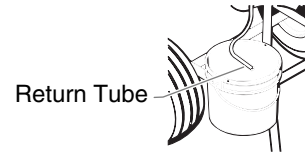
If you are going to spray with solvent-based paint, all you need to do is purge the fluid. Thorough cleaning is not necessary.



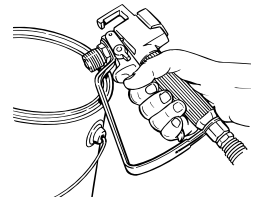
Keep the spray gun locked and in the OFF position during these steps.

## Purging the System for Latex Paint

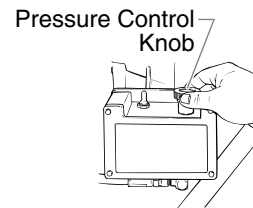
1. Place a container of soapy water under the paint suction tube. Have a waste container ready to catch the purged fluid.
2. Detach the return tube from the fluid section and place it in the waste container.



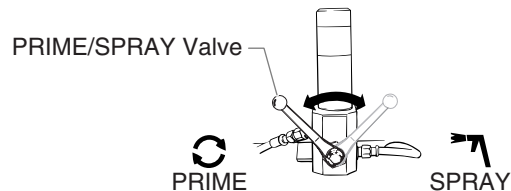
If a metal container is used, it is necessary to ground the spray gun and container. To do this, hold a metal portion of the gun against the edge of the metal container. Failure to do so may lead to static electric discharge, which may cause a fire.



3. Turn the pressure control knob counterclockwise to the lowest setting.



4. Set the PRIME/SPRAY valve to the PRIME.



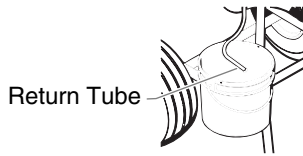
5. Turn the ON/OFF switch to ON.
6. Turn the pressure control knob clockwise slowly until fluid starts coming through the return tube. Use the least amount of pressure necessary to keep the fluid flowing. When all of the test fluid has been cleaned out of the system, soapy water will flow through the return tube.
7. Turn the pressure control knob to its lowest setting and replace the container of soapy water with a container of clear water.
8. Turn the pressure control knob clockwise slowly until water running through the return tube is clear.
9. Turn the pressure control knob counterclockwise to the lowest setting. Replace the container of clean water with a container of latex paint.
10. Turn the pressure control knob clockwise slowly until paint comes through the return tube.
11. Place the return tube into the operating position above the paint container. Keep recirculating paint through the system until the paint coming through the return tube is free of air bubbles.
12. Turn the pressure control knob counterclockwise to the lowest setting. The unit is now ready to use.



Keep the spray gun's trigger lock in the locked position during these steps.

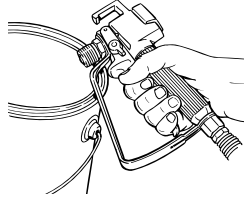
## Purging the System for Solvent-Based Paint

1. Place a container of paint under the paint suction tube. Have a waste container ready to catch the purged fluid.
2. Detach the return tube from the fluid section and secure it in the waste container so that it will not come out.

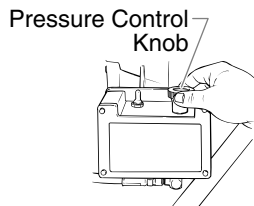


### **WARNING**

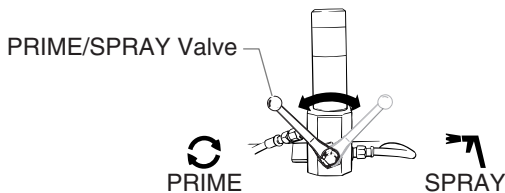
If a metal container is used, it is necessary to ground the spray gun and container. To do this, hold a metal portion of the gun against the edge of the metal container. Failure to do so may lead to static electric discharge, which may cause a fire.



3. Turn the pressure control knob counterclockwise to the lowest setting.



4. Set the PRIME/SPRAY valve to the PRIME.



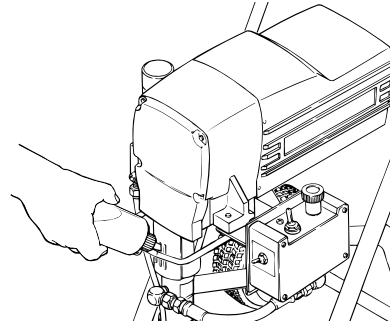
5. Turn the ON-OFF switch to ON.
6. Turn the pressure control knob clockwise slowly until fluid starts coming through the return tube. Use the least amount of pressure necessary to keep the fluid flowing. When all of the test fluid has been cleaned out of the system, paint will flow through the return tube.
7. Turn the pressure control knob to its lowest setting.
8. Place the return tube into the operating position above the paint container. Keep recirculating paint through the system until the paint coming through the return tube is free of air bubbles.
9. The unit is now ready to use.

## Operating the Sprayer

Before starting spraying each day, squirt upper packing lubricant (Part No. 9992504) into the slots in the upper pump housing.

**NOTE: Do not apply so much that it overflows and drips into the paint.**

This lubricant keeps the piston seals pliant, minimizing paint bypass and piston wear. If the unit is operated several hours a day, lubricate approximately every 4 hours.



For a new unit, follow the purging steps above. For units already in service, purge water or solvent from the system as described above, depending on the type of paint being used. After the pump is ready to spray, it may also be necessary to purge the hoses of water or solvent.

1. Make certain that the current limit switch is on the desired setting.
2. Turn the pressure control knob counterclockwise to the lowest setting.
3. Set the PRIME/SPRAY valve to SPRAY.
4. Be sure that the spray gun does not have a tip installed.
5. Move the gun's trigger lock to the unlocked position.
6. Turn the pressure control knob clockwise to the halfway point to increase the pressure.
7. Trigger the gun into a waste container until solvent or water is purged from the hose.

### **WARNING**

If a metal container is used, it is necessary to ground the spray gun and container. To do this, hold a metal portion of the gun against the edge of the metal container. Failure to do so may lead to static electric discharge, which may cause a fire.

8. Turn the pressure control knob counterclockwise to its lowest setting.
9. Turn the PRIME/SPRAY knob to PRIME.
10. Trigger the gun to be sure no pressure is left in the hose.
11. Move the gun's trigger lock to the locked position.
12. Install the spray tip appropriate for the material being sprayed. The thicker the paint, the larger the spray tip required.
13. Set the PRIME/SPRAY valve to SPRAY.
14. Turn the pressure control knob clockwise to its highest setting.
15. Move the gun's trigger lock to the unlocked position.
16. Trigger the gun to test the spray pattern. Spray against a scrap piece of cardboard or other test surface.
17. Adjust the unit to the proper pressure setting.

## Setting the Pressure

The best pressure setting will vary with the type of paint and the size and type of spray tip being used. The thicker the paint, the higher the pressure will need to be.

To find the optimum pressure setting:

1. Turn the pressure control knob clockwise to its highest setting.
2. Trigger the gun and slowly turn the pressure control knob counterclockwise. Stop when you reach the lowest pressure necessary to keep the desired spray pattern and atomization.

**NOTE: Until you are satisfied with the spray pattern, spray on a test surface rather than on the surface to be painted.**

## Using the Spray Gun

Follow the instructions that came with your spray gun.

### Pressure Relief Procedure

1. Move the gun's trigger lock to the locked position.
2. Turn the motor ON/OFF switch to OFF.
3. Place the return line into a container and hold it securely in place.
4. Turn the PRIME/SPRAY valve to the PRIME. The pressure will be relieved and fluid will dump through the return tube.
5. Relieve any pressure remaining in the hose by moving the gun's trigger lock to the unlocked position and triggering the gun into a container.



**Always ground the container, including the handle. Failure to do so may result in a static electric discharge, which may cause an explosion or fire.**

6. Move the gun's trigger lock to the locked position.

**NOTE: Leave the PRIME/SPRAY valve on PRIME until you are ready to operate the sprayer again.**

## Priming the Sprayer

1. Turn the PRIME/SPRAY valve to the PRIME.
2. Put the suction tube into the paint container.
3. Turn the pressure control knob counterclockwise to the lowest setting.
4. Turn the ON/OFF switch to ON.
5. Slowly turn the pressure control knob clockwise until the paint begins to flow through the return tube.
6. Turn the pressure control knob counterclockwise to the lowest setting.
7. Set the PRIME/SPRAY valve to SPRAY.
8. Move the gun's trigger lock to the unlocked position.



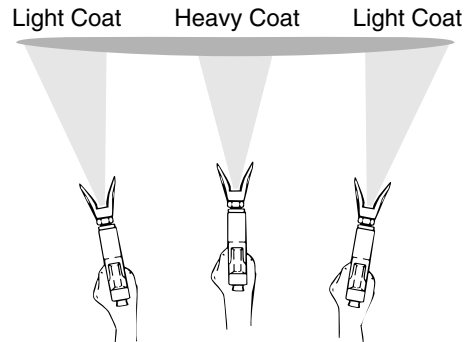
**If a metal container is used, it is necessary to ground the spray gun and container. To do this, hold a metal portion of the gun against the edge of the metal container. Failure to do so may lead to static electric discharge, which may cause a fire.**

9. Trigger the gun into a waste container. Hold it open while slowly turning the pressure control knob clockwise until paint sprays from the gun tip. Keep the gun triggered until all the air is forced out of the system and paint is flowing freely.
10. Release the trigger and move the gun's trigger lock to the locked position.
11. Check all fluid connections for leaks. If any are found, follow the pressure relief procedure before tightening the connection.

## Spraying

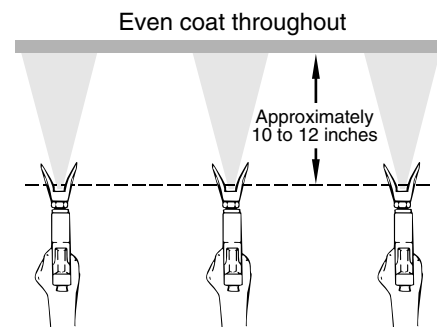
### Spraying Technique

The key to a good paint job is an even coating over the entire surface. This is done by using even strokes. Keep your arm moving at a constant speed and keep the spray gun at a constant distance from the surface. The best spraying distance is 10 to 12 inches between the spray tip and the surface.



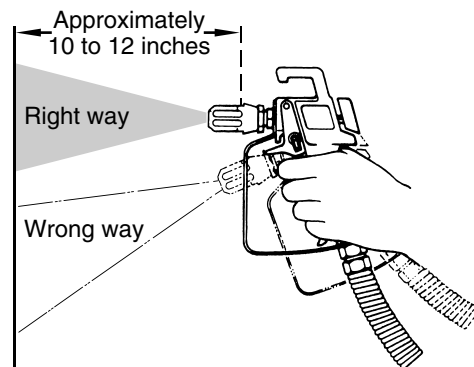
Do not flex wrist while spraying.

Keep the spray gun at right angles to the surface. This means moving your entire arm back and forth rather than just flexing your wrist.

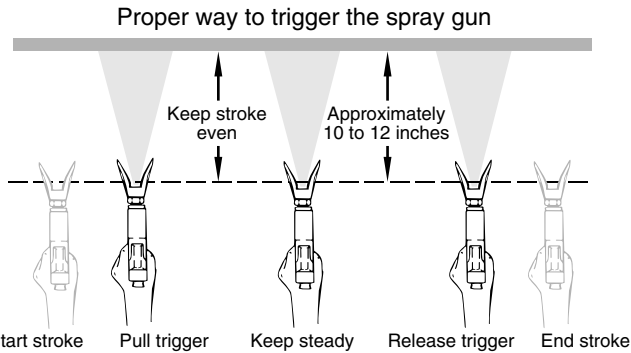


Keep stroke smooth and at an even speed.

Keep the spray gun perpendicular to the surface, otherwise one end of the pattern will be thicker than the other.



The spray gun should be triggered by turning it on and off with each stroke. This will save paint and avoid paint buildup at the end of the stroke. Do not trigger the gun during the middle of a stroke. This will result in an uneven spray and splotchy coverage.



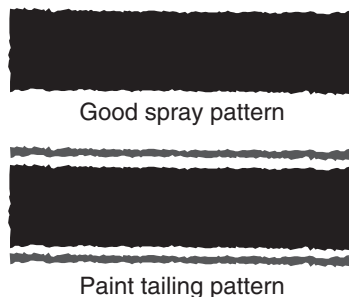
Overlap each stroke by about 30%. This will ensure an even coating.

When you stop painting, lock the gun safety switch, turn the pressure control knob counterclockwise to its lowest setting and set the PRIME/SPRAY valve to PRIME. Turn the ON/OFF switch to OFF and unplug the sprayer.

## Practice

1. Be sure that the paint hose is free of kinks and clear of objects with sharp cutting edges.
2. Turn the pressure control knob counterclockwise to its lowest setting.
3. Turn the PRIME/SPRAY valve to SPRAY.
4. Turn the pressure control knob clockwise to its highest setting. The paint hose should stiffen as paint begins to flow through it.
5. Move the gun's trigger lock to the unlocked position.
6. Trigger the spray gun to bleed air out of the hose.
7. When paint reaches the spray tip, spray a test area to check the spray pattern.
8. Use the lowest pressure setting necessary to get a good spray pattern. If the pressure is set too high, the spray pattern will be too light. If the pressure is set too low, tailing will appear or the paint will spatter out in gobs rather than in a fine spray.

Most latex paints and stains will require very high pressure, which is why the sprayer is built to deliver up to 3000 PSI when needed.



**NOTE:** When spraying block filler, mastics or high solid coatings, leave out the gun filter and high pressure filter screens.

## Cleanup

### ⚠ WARNING

Special cleanup instructions for use with flammable solvents:

- Always flush spray gun at least one hose length from spray pump.
- If collecting flushed solvents in a one gallon metal container, place it into an empty five gallon metal container, then flush solvents.
- Area must be free of flammable vapors.
- Follow all cleanup instructions.

### ⚠ CAUTION

The pump, hose, and gun should be cleaned thoroughly after daily use. Failure to do so permits material to cake, seriously affecting the performance of the unit.

After daily use, paint should be flushed from the unit with solvent compatible with the material applied, and then re-flushed with mineral spirits.

### ⚠ WARNING

When cleaning the pump, hose, and gun with mineral spirits or any other solvent, always spray at minimum pressure with the gun spray tip removed. Static electricity buildup may result in fire or explosion in the presence of flammable vapors.

### ⚠ WARNING

Be sure to follow the pressure relief procedure when shutting the unit down for any purpose including servicing or adjusting any part of the spray system, changing or cleaning the spray tips, or preparing for cleanup.

1. Turn the ON/OFF switch to OFF.
2. Bleed off any remaining pressure in the pump by turning the PRIME/SPRAY knob to PRIME.
3. Remove the gun tip and clean it using an appropriate solvent.
4. Remove the paint container from below the suction tube.
5. Place a container of appropriate solvent below the suction tube.
6. Turn the pressure control knob counterclockwise to the lowest setting.
7. Turn the ON/OFF switch to ON.
8. Trigger the spray gun into a waste container to flush the pump, hose and gun clean.
9. Turn the ON/OFF switch to OFF.
10. Follow the pressure relief procedure detailed in this manual.
11. Unplug the unit and store it in a clean and dry area.

**NOTE:** For long-term storage, be sure to flush the unit with an appropriate oil before storing.

## Maintenance

### Daily Maintenance

Three daily procedures are required for routine operator maintenance on this unit:

1. Lubricating the upper packings.
2. Cleaning the high pressure filter screen.
3. Cleaning the intake screen.

## Lubricating the Upper Packings

1. Clean out the paint that has seeped past the upper packings into the extension housing.

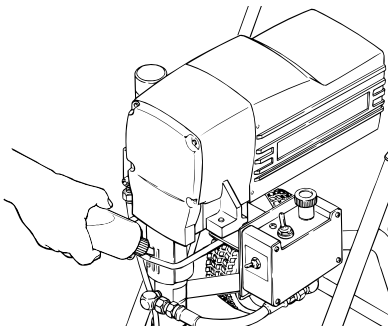
**NOTE:** You may need to loosen the screws on the front cover and remove the finger guard to thoroughly clean the extension housing. Excess paint in the extension housing will adversely affect the performance of the unit.

### ⚠ WARNING

**Do not run the pump without the finger guard and the front cover in place. Moving parts are a tissue crushing hazard.**

2. Squirt upper housing lubricant (Part No. 9992504) into the slots in the upper pump housing. If the unit is operated several hours a day, lubricate approximately every 4 hours.

**NOTE:** Do not apply so much lubricant that it overflows and drips into the paint.



## Cleaning the High Pressure Filter Screen

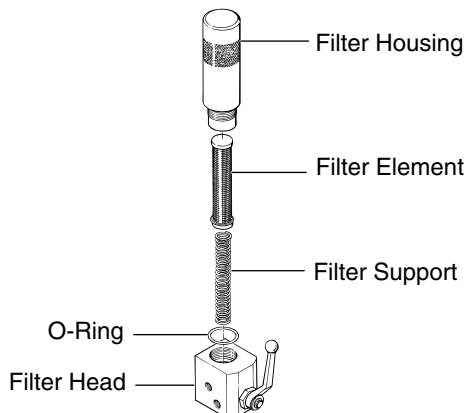
The high pressure filter will clog and must be cleaned as needed.

1. Turn the filter housing counterclockwise to remove it from the filter head.
2. Take out the filter element and wash it thoroughly with the appropriate solvent. Scrub the filter with a fiber-bristled brush if necessary.

### ⚠ CAUTION

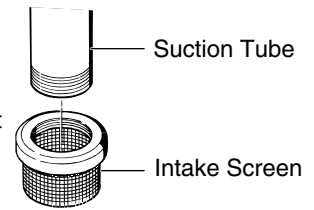
**Do not use a wire brush. Damage to the filter element could result.**

**NOTE:** The filter should be cleaned at least once a day. If you are using block fillers, mastics or other similar materials, leave the filter out.



## Cleaning the Intake Screen

1. The intake screen will clog and must be cleaned at least once a day.
2. Turn the intake screen counterclockwise to remove it from the bottom of the suction tube.
3. Clean thoroughly with the appropriate solvent.



## Additional Maintenance

### Repacking the Fluid Section

A small amount of paint bypassing the piston and coming out of the slots in the upper piston housing is normal. If it becomes excessive, or if paint pressure drops, the piston packings need to be replaced.

### ⚠ WARNING

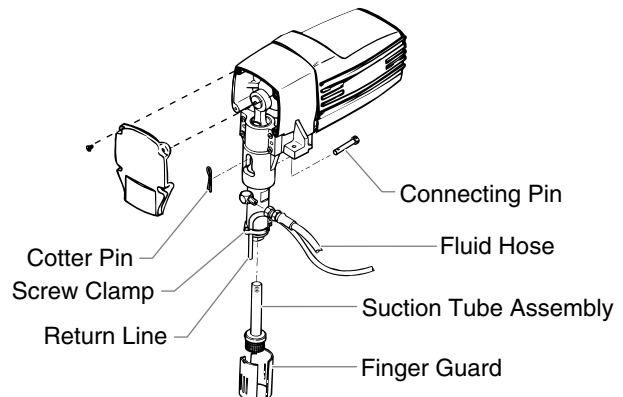
**ALWAYS follow the PRESSURE RELIEF PROCEDURE found in your manual before starting any troubleshooting, servicing or cleaning.**

### ⚠ WARNING

**ELECTRICAL SHOCK HAZARD. Make certain that the unit is turned off and unplugged before attempting any disassembly.**

### Removing the Fluid Section

1. Loosen and remove the suction tube assembly by turning it counterclockwise.
2. Remove the front cover.
3. Remove the finger guard.
4. Loosen the screw clamp and remove the return line.
5. Remove the cotter pin from the connecting pin.
6. Remove the connecting pin by pushing it through the slide block and piston rod.
7. Loosen and remove the fluid hose.
8. Loosen the large locknut on the upper end of the fluid section.
9. Unscrew the entire fluid section assembly by turning it counterclockwise.



### ⚠ CAUTION

**Do not run the motor with the fluid assembly removed.**



## Removing the Piston Rod Assembly

Refer to the parts listing for the fluid section assembly.

1. Position the inlet valve housing (26) in a vise so that the fluid section is vertical. Tighten the vise.
2. Position a large adjustable wrench on the wrench flats of the cylinder (8). Turn the cylinder counterclockwise until the cylinder is removed from the inlet valve housing.
3. Remove the inlet valve housing from the vise. Tap out the inlet ball cage (22) and ball stop pin (21).

**NOTE: If any parts are difficult to disassemble, soak them in an appropriate solvent until the paint softens.**

4. Remove the inlet valve carbide seat (24). Inspect the inlet valve ball and the inlet ball seat for damage. If the seat is worn or damaged, it can be flipped to the unused side. If you flip or replace the seat, the ball must be replaced.

**NOTE: If the carbide valve seat requires replacement, use valve kit P/N 0294979.**

5. Remove the inlet valve seat O-ring (25) from the inlet valve housing.
6. Position the wrench flats of the cylinder (8) in a vise and tighten the vise.



**Do not over tighten or you might damage the cylinder.**

7. Remove the packing nut (1).



**Hold a hand under the piston rod (16). The piston rod may be damaged if it falls. The lower packings may also fall out.**

8. Gently tap down the piston assembly with a rubber mallet until the piston assembly comes out.

## Cleaning the Piston Rod

1. Remove the cylinder from the vise.
2. Position the piston rod assembly in the vise and tighten.



**The piston rod may be damaged if you are using a vise with steel jaws. Use a vise with aluminum jaws or take precautions to protect the piston rod.**

3. Remove the retaining nut (20).
4. Remove the outlet valve seat (19), the outlet ball (18), the seal washer (27) and the outlet ball cage (17). Inspect the outlet valve ball and the outlet valve ball seat for damage. If the seat is worn or damaged, it can be flipped to the unused side. If you flip or replace the seat, the ball must be replaced.
5. Remove the lower packings (12, 13), the pressure ring (11), the wave washer (10), and the O-ring (9) from the cylinder (8).
6. Soak the new leather packings in linseed oil for 5 minutes. Do not over-soak.
7. Clean the disassembled parts in an appropriate solvent.
8. Install the outlet ball cage (17), the outlet ball (18), the seal washer (27), and the outlet valve seat (19) in that order into the piston rod.
9. Apply removable threadlocking compound to the retaining nut threads (20) and screw the retaining nut into the piston rod. Torque the retaining nut to 24 ft./lbs. Remove the piston assembly from the vise.

## Replacing the Packings

1. Position the wrench flats of the cylinder (8) into the vise and tighten the vise.
2. Insert the wave spring (6), pressure ring (5), upper packings (3, 4) and adapter (2) into the cylinder (8).

**NOTE: Make certain to alternate the UHMWPE and leather packings as shown in the illustration.**

3. Loosely thread the packing nut (1) into the cylinder.
4. Remove the cylinder from the vise, rotate it, and replace it in the vise so that the bottom of the cylinder is facing up.
5. Insert the wave spring (10), the lower pressure ring (11), the lower packings (12, 13), the lower ring support (14), and the O-ring (15) into the cylinder.

## Inserting the Piston Rod

1. Insert the piston rod assembly into the cylinder.
2. Insert the O-ring (25) into the inlet valve housing (26).
3. Insert the inlet ball seat (24) and the inlet ball (23) into the inlet valve housing.
4. Insert the stop pin (21) into the inlet ball cage (22) and place them into the inlet valve housing (26).
5. Place the O-ring (9) into the inlet valve housing.
6. Thread the inlet valve housing assembly onto the bottom of the cylinder assembly. Torque to 75 ft./lbs.
7. Install the large locknut (7) onto the cylinder and turn it until the nut bottoms out on the threaded section of the cylinder.

## Attaching the Fluid Section

1. Remove the assembled fluid section from the vise. Apply anti-seize compound on the upper cylinder threads and thread it into the pump housing. The piston rod (16) will align itself with the slide block.
2. Rotate the fluid section so that the hole in the slide block is aligned with the hole in the piston assembly.
3. Slide the connecting pin through the holes in the slide block and the piston assembly.
4. Replace the cotter pin to hold the connecting pin securely. Refer to the illustration on the previous page.
5. Screw the fluid section into the pump housing as far as it will go. Then unscrew it slightly so that the outlet elbow will align with the fluid hose.
6. Firmly tighten the locknut (7) by turning it clockwise until it is secured tightly against the drive housing. Torque to 150 ft./lbs.

## Replacing the Motor Brushes

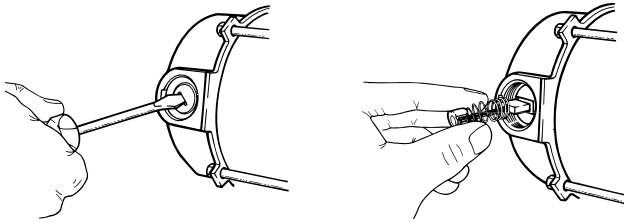
Brushes should be inspected periodically for wear. If one of the brushes measures less than 1/2", is worn or is chipped, then replace both of the motor brushes. It is recommended that the brushes be replaced when the packings are replaced.



**ALWAYS follow the PRESSURE RELIEF PROCEDURE found in your manual before starting any troubleshooting, servicing or cleaning.**

## Removing the Motor Cord

1. Disconnect the power cord from the electrical supply.
2. Loosen the 4 hex socket head allen screws along the sides of the motor cover and remove the cover.
3. Unscrew and remove the brush caps holding the brushes in place.
4. Pry the brushes out gently with a screwdriver.
5. Install the new brushes, P/N 07101.

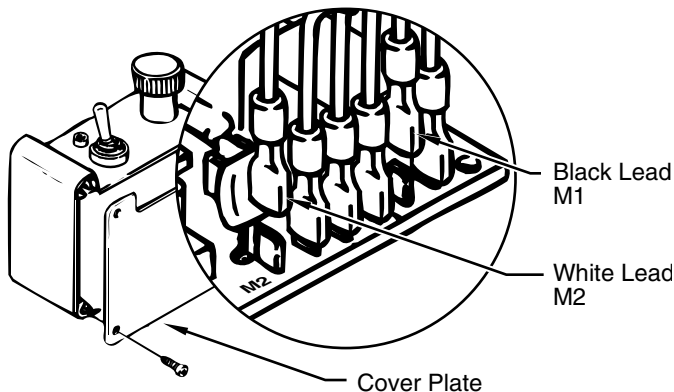


6. Install the brush caps. If the old brush caps are damaged, replace them with P/N 07103.
7. Replace the motor cover and hex socket head allen screws.

## Replacing the Armature

### Removing the Motor Cord

1. Disconnect the unit from the power source and follow the pressure relief procedure found in this manual.
2. Remove the motor cover by unscrewing the 4 hex socket head screws that attach the shroud to the adapter plate.
3. Remove the pressure control box cover plate by unscrewing the 4 black phillips head screws.
4. Unplug the slip-on connector for the black motor lead from M1 located on the front edge of the circuit board. Then unplug the slip-on connector for the white motor lead from M2. See the wiring diagram in the parts listing section of this manual.

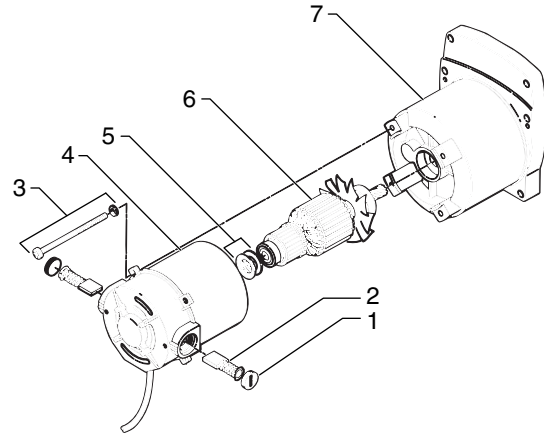


**NOTE:** Pay attention to the length of the cord jacket extending into the box and the routing of both wires to the circuit board. You will need to know this when replacing the motor cord.

5. Remove the strain relief holding the motor cord in the cart mounting plate of the pressure control box. Carefully pull the motor cord out through the strain relief hole.

## Installing the New Armature

Refer to the illustration below during the following steps.



1. Unscrew the motor brush caps (1) and remove the motor brushes (2).
2. Put an alignment mark on the motor shell and gearbox so that when it is reassembled, the motor will be oriented correctly.
3. Remove the 4 long phillips head screws (3) running the length of the motor body.
4. Carefully remove the motor body (4) by pulling straight back towards the back of the cart. The armature (6) will normally remain mounted to the gearbox (7) as the motor body is being removed.
5. Remove the armature by grasping it around the middle section and pulling straight back. If there is any resistance, gently rock the armature up and down while pulling. If the armature came off with the motor body, simply pull the armature out by grasping the armature bearing.
6. Retrieve the 2 belleville washers (5) from the inside rear bearing bore in the motor end bell.
7. With the motor body sitting upright, install the belleville washers in the rear bearing bore of the motor and bell. Stack the washers so that the inside diameters touch each other.
8. Install the new armature into the motor body.
9. With the armature installed in the motor body, insert the front armature bearing in the gearbox bearing bore. The inside diameter of the motor shell should slip over the 4 centering bosses on the gearbox.
10. Align the marks on the motor shell and gearbox and attach the motor body to the gearbox with the 4 long phillips head screws.

### Replacing the Motor Cord

1. Insert the motor cord through the strain relief hole on the pressure control mounting plate on the cart. Position the jacketed portion of the motor cord at the distance through the hole noted in step 4 of Removing the motor cord. Reconnect the slip-on connector for the black motor lead to M1 and white motor lead to M2 on the front edge of the circuit board. Route the wires as noted in step 4.
2. Install the strain relief on the back side of the pressure control mounting plate.
3. Screw on the pressure control box cover plate.
4. Inspect the motor brushes for damage or wear. If less than 1/2" long, replace the brushes. Install the brushes and brush caps.
5. Replace the motor cover and mounting screws.

# Troubleshooting

## Problem

The unit will not run

## Cause

1. A breaker is tripped on the unit or at the plug in.
2. The unit is not plugged in.
3. The pressure control knob is set too low.
4. There is faulty wiring or a faulty circuit.
5. The motor brushes are worn.
6. The ON/OFF switch is faulty.

## Solution

1. Check the breakers and reset if necessary.
2. Plug the unit in.
3. Increase the pressure.
4. Take the unit to an Authorized Service Center.
5. Check the brushes and replace if necessary
6. Take the unit to an Authorized Service Center.

The unit will not prime.

1. The piston packings are dried out.
2. The inlet valve is leaking.
3. The pump inlet screen is plugged.
4. There is air in the pump or the paint hose.
5. The piston packings are worn.
6. The paint is too thick.

1. Remove the suction tube and feel the lower check ball to be sure that it is free. Place a full cup of paint thinner over the end of the fluid section and turn on the pump.
2. Replace the inlet valve with the kit P/N 0294979.
3. Remove the inlet screen and clean.
4. Hold the gun trigger in the open position and run the unit for about 10 seconds until the air is purged. Check the suction tube for leaks.
5. Replace the packings with kit P/N 0294978.
6. Prime the pump with compatible solvent. Bring the pump up to pressure. Carefully remove the pump from the solvent container and immerse the inlet tube in the thick fluid to be sprayed. With the spray tip removed, trigger the gun until the thick fluid appears at the gun. Replace the spray tip.
7. Remove and clean the suction tube.
8. Check the suction tube and seal any leaks found.
9. Relieve the pressure; remove and clean the tip.

The unit will not build or maintain pressure.

1. The pressure adjustment knob is not properly set.
2. The pump inlet strainer is dirty.
3. The valve balls or valve seals are worn or dirty.
4. There is air in the pump or paint hose.
5. The piston packings are worn.
6. The spray tip is worn.
7. The unit is leaking internally.
8. The inlet or outlet valve is leaking.
9. The external fittings are leaking.
10. The paint is too thick.
11. The spray tip is too large.
12. Paint has built up on the slide block in the extension housing.
13. The PRIME/SPRAY valve is leaking.

1. Increase the pressure.
2. Clean the pump inlet strainer.
3. Replace or clean the valve balls and seats.
4. Hold the gun trigger in the open position and run the unit for about 10 seconds until the air is purged.
5. Replace the packings with kit P/N 0294978.
6. Replace the spray tip by following the directions supplied with your spray gun.
7. With the gun trigger closed, allow the unit to come up to pressure and then shut it off when the pump momentarily starts. Look to see where the internal leak is occurring and rebuild the fluid section.
8. Replace the valves by using kit P/N 0294979.
9. Check all hose fittings and connections for external leaks.
10. Check the fluid manufacturer's recommendations listed on the fluid container label.
11. Change the spray tip.
12. Clean the slide block.
13. Check the PRIME/SPRAY valve and clean if necessary. Put in spray position firmly.

Fluid leaks from the upper end of the fluid section.

1. The upper packing is worn.
2. The piston rod is worn.

1. Relieve the pressure and replace the packings.
2. Replace the piston rod.

The spray pattern is bad.

1. The tip is too large.
2. The pressure is set incorrectly.
3. Not enough fluid is reaching the spray gun.
4. The fluid is too thick.

1. Change to a smaller spray tip.
2. Reset the pressure.
3. Clean all the strainers and filters.
4. Add solvent or water according to the fluid manufacturer's recommendations.

The pressure is low.

1. The pressure is set too low.
2. The power supply is the wrong voltage.
3. The extension cord is too long.
4. Current limit is set to 15 amp setting.

1. Increase the pressure.
2. Connect the unit to a 120 volt AC connection.
3. Use a 12 gauge extension cord that does not exceed 100 ft. (31 meters) in length.
4. Set switch to 20 amp setting.

The fuse at the pump circuit breaker is blown.

1. Pressure build up at the pump is too great.
2. There is a malfunction in the gear box or linkages.

1. Take the unit to a factory Authorized Service Center.
2. Repair or replace the malfunctioning parts.

Low performance/circuit breaker tripping.

1. Loose motor shunt wires or worn brushes.
2. Loose connections in pressure control box.
3. Safety shutoff pressure incorrect.
4. Missing circuit breaker switch boot/dirty switch.
5. The current limit switch position is incorrect.
6. The slide block or extension housing is clogged.
7. Filter is clogged.

1. Replace brushes and wires as necessary.
2. Tighten connections or scrape residue off of connectors.
3. Recalibrate the safety shutoff pressure to 2650 +100/-0 psi.
4. If the circuit breaker switch is clogged with contaminates, replace switch.
5. The unit should be placed in the 15 amp mode only when the wall circuit breaker is tripping. When the unit is in the 15 amp mode, it is normal for it to slow down.
6. Clean.
7. Clean the filter. If spraying heavier materials such as block filler or mastics, remove the filter.

# Table des matières

<b>Spécifications</b> .....	12
Mode 20 A .....	12
Mode 15 A .....	12
<b>Mesures de sécurité</b> .....	12
Directives sur la mise à la terre .....	13
Choix d'une rallonge .....	14
<b>Installation initiale</b> .....	14
Purge du pistolet .....	14
<b>Fonctionnement du pistolet</b> .....	15
Réglage de la pression .....	16
Utilisation du pistolet .....	16
Procédure relative à l'élimination de la pression .....	16
Amorçage du pistolet .....	16
<b>Pulvérisation</b> .....	16
Technique de pulvérisation .....	16
Exercice .....	17
<b>Nettoyage</b> .....	17
<b>Entretien</b> .....	18
Entretien quotidien .....	18
Entretien additionnel .....	18
<b>En cas de problème</b> .....	21
<b>Liste des pièces</b> .....	32
Assemblage final .....	32
Ensemble d'entraînement .....	34
Ensemble de commande de pression .....	36
Ensemble moteur .....	38
Ensemble de transducteur .....	39
Ensemble de la section du fluide .....	40
Assemblage filtre/soupape .....	41
Ensemble de la soupape AMORÇAGE-VAPORISATION .....	42
Ensemble du support .....	42
Accessoires .....	43
Filters du pistolet .....	44
Schéma de câblage de l'ensemble de commande de pression .....	45
<b>Garantie limitée</b> .....	47

## Spécifications

### Modèle EP2510 120V

#### Mode 20 A

Litres / minute .....	5,68
Réservoir de fluide .....	Garniture statique à deux cycles et sièges de soupape réversibles
Pression maximale .....	206 bar
Moteur électrique (universel) .....	1,5 HP
Intensité du courant .....	17 A
Protection électrique .....	Disjoncteur de 22 A
Dimension maximale de l'embout .....	Un pistolet : 0,09 cm; Deux pistolets : 0,06 cm
Longueur du boyau .....	91,44 m
Rallonge maximale .....	30,48 m; calibre 12
Poids .....	4,99 kg
Dimensions .....	84 cm L x 104 cm H x 66 cm W

#### Mode 15 A

Litres / minute .....	3,64
Réservoir de fluide .....	Garniture statique à deux cycles et sièges de soupape réversibles
Pression maximale .....	206 bar
Moteur électrique (universel) .....	1,5 HP
Intensité du courant .....	17 A
Protection électrique .....	Disjoncteur de 20 A
Dimension maximale de l'embout .....	Un pistolet : 0,07 cm; Deux pistolets : 0,05 cm
Longueur du boyau .....	60,96 m
Rallonge maximale .....	30,48 m; calibre 12
Poids .....	4,99 kg
Dimensions .....	84 cm L x 104 cm H x 66 cm W

## Mesures de sécurité

Le présent manuel comprend des renseignements devant être lus attentivement avant toute utilisation de l'appareil. Lorsque l'un des symboles suivants apparaît, il est recommandé d'être particulièrement attentif et de tenir compte des mesures de sécurité indiquées.

### **⚠ AVERTISSEMENT**

**Ce symbole indique un danger potentiel pouvant causer des blessures graves ou même mortelles. Des renseignements importants sur la sécurité sont également présentés.**

### **⚠ ATTENTION**

Ce symbole indique un danger potentiel pouvant causer des blessures graves ou même mortelles. Des renseignements importants sur la sécurité sont également présentés..

**NOTA: Les remarques donnent des renseignements importants requérant une attention particulière.**

### **⚠ AVERTISSEMENT**

**DANGER: BLESSURES PAR PERFORATION - Le jet de peinture à haute pression produit par cet appareil peut perforer la peau et les tissus sous-jacents et entraîner de sévères blessures pouvant nécessiter une amputation.**

**NE PAS TRAITER UNE BLESSURE PAR PERFORATION COMME UNE SIMPLE COUPURE! Une perforation peut entraîner des risques d'amputation. Consultez immédiatement un médecin.**

#### MESURES PRÉVENTIVES:

- Pression de service maximale du fluide dans l'appareil : 3000 lb/po2.
- NE JAMAIS diriger le pistolet vers une quelconque partie du corps.
- NE JAMAIS mettre une quelconque partie du corps en contact avec le jet de liquide. NE JAMAIS se mettre au contact d'un jet de liquide provenant d'une fuite du flexible d'alimentation en liquide.
- NE JAMAIS placer votre main devant le pistolet. Des gants ne vous protégeront pas contre les risques de blessures par perforation.
- TOUJOURS verrouiller la gâchette du pistolet, fermer la pompe à liquide et décompresser l'appareil lorsque vous travaillez sur celui-ci, nettoyez le protecteur de tête, remplacez la tête de pulvérisation ou vous éloignez de l'appareil. Couper le moteur ne décompresse pas l'appareil. Vous devez, pour le décompresser, placer le bouton AMORÇAGE/PULVÉRISATION en position AMORÇAGE. Reportez-vous, pour cela, à la PROCÉDURE DE DÉCOMPRESSION décrite dans de ce manuel.
- TOUJOURS s'assurer que le protecteur de tête est en place lorsque vous pulvérisiez. Le protecteur de tête offre une certaine protection contre les blessures par perforation mais sa principale fonction est d'ordre préventif.
- TOUJOURS ôter la tête de pulvérisation avant de purger ou nettoyer l'appareil.
- Le flexible d'alimentation en peinture peut fuir à la suite d'une usure, de chocs ou de mauvais traitements. Une fuite peut entraîner une perforation de la peau. Inspecter le flexible avant chaque utilisation.
- NE JAMAIS utiliser un pistolet dont la gâchette n'est pas munie d'un loquet ou un cran de sécurité qui soit en état de fonctionner.
- Tous les accessoires doivent être homologués pour une pression égale ou supérieure à 3000 lb/po2. Cela s'applique, entre autres, aux têtes de pulvérisation, aux accessoires du pistolet et aux flexibles.
- En cas d'injection dans la peau, consulter un médecin immédiatement.

#### AVERTISSEMENT AUX MÉDECINS :

Une perforation sous-cutanée constitue un traumatisme. Il est important de traiter la blessure de façon chirurgicale aussitôt que possible. **NE RETARDEZ PAS** ce traitement pour des recherches de toxicité. La toxicité n'est un risque que dans les cas où certains produits de revêtement pénètrent dans le flux sanguin. Il peut être nécessaire de faire appel à des soins de chirurgie plastique ou de reconstruction de la main.

**DANGER: RISQUES D'EXPLOSION OU D'INCENDIE - Les vapeurs dégagées par le solvant ou la peinture sont explosives et inflammables et peuvent causer des dommages matériels ou corporels sérieux.**

#### MESURES PRÉVENTIVES:

- Veiller à éviter toute accumulation de vapeurs inflammables en vous assurant que la zone où la pulvérisation a lieu est suffisamment ventilée.
- Veiller à éviter la présence de toute source incandescente telle qu'étincelle électrostatique, flamme nue, flamme-pilote, objet brûlant, cigarette et étincelle provenant du branchement ou du débranchement d'un cordon d'alimentation électrique ou d'un commutateur.
- Toujours avoir un extincteur en état de fonctionner à portée de la main.
- Garder l'appareil dans un endroit bien aéré, à l'écart de la zone de pulvérisation, afin d'éloigner les vapeurs de solvant et de peinture. La pompe contient des pièces produisant des arcs et émettant des étincelles.
- La vitesse élevée du produit dans l'appareil peut causer l'accumulation d'électricité statique. Le matériel utilisé, ainsi que les objets se trouvant à proximité de la zone de pulvérisation, doivent être convenablement reliés à la terre afin d'éviter toute étincelle ou toute décharge électrostatique.
- N'utiliser que des flexibles d'alimentation en liquide à haute pression conducteurs ou reliés à la terre dans les cas d'utilisation sans air comprimé. S'assurer que le pistolet est convenablement relié à la terre par l'intermédiaire du flexible.
- Le cordon d'alimentation doit être raccordé à un circuit mis à la terre.
- S'entourer de toutes les précautions possibles lorsqu'on utilise des produits ayant un point d'éclair inférieur à 21 °C (70 °F). Le point d'éclair d'un fluide est la température à laquelle les vapeurs émanant du fluide peuvent s'enflammer au contact d'une flamme ou d'une étincelle.
- Se conformer aux consignes et recommandations de sécurité du fabricant du solvant ou du produit.
- Lorsque vous purgez l'appareil, veillez à utiliser à la pression minimale.

**DANGER: RISQUES D'EXPLOSION PAR INCOMPATIBILITÉ DES MATÉRIAUX - Peuvent être à l'origine de dommages matériels ou corporels sérieux.**

#### MESURES PRÉVENTIVES:

- Ne pas utiliser d'eau de Javel.
- Ne pas se servir de solvants aux hydrocarbures halogénés comme le chlorure de méthylène et le trichloroéthane-1,1,1. Ces produits ne sont pas compatibles avec l'aluminium et peuvent causer une explosion. En cas de doute sur la compatibilité d'un produit avec l'aluminium, communiquer avec son fournisseur de revêtement.

**DANGER: VAPEURS TOXIQUES - La peinture, les solvants, les insecticides et d'autres produits peuvent être toxiques s'ils sont inhalés et provoquer des nausées graves, des évanouissements ou des empoisonnements.**

#### MESURES PRÉVENTIVES:

- Utiliser un respirateur ou un masque chaque fois qu'il y a des risques d'inhalation de vapeurs. Lire attentivement toutes les instructions se rapportant au masque pour vérifier que celui-ci vous assure une protection suffisante contre les vapeurs toxiques.

**DANGER: GÉNÉRALITÉS - Peut causer des dommages matériels ou corporels sérieux.**

#### MESURES PRÉVENTIVES:

- Avant d'utiliser tout équipement, lire attentivement toutes les instructions et les consignes de sécurité
- Se conformer à la législation locale, provinciale ou fédérale pour tout ce qui concerne la ventilation, la prévention des incendies et les conditions générales d'utilisation.
- Les normes de sécurité du Gouvernement américain sont régies par le Occupational Safety and Health Act (OSHA). Il est important de consulter ces normes, en particulier la section 1910 sur les normes générales et la section 1926 sur les des normes de la construction.
- Cette pompe à haute pression sans air comprimé est conçue pour être utilisée uniquement avec des pièces agréées par le fabricant. Toute utilisation de l'appareil avec des pièces non conformes aux exigences techniques de base et de sécurité du fabricant est aux risques et périls de l'utilisateur.
- Vérifier, avant toute utilisation, que les flexibles ne présentent pas d'entaille ou de fuite, que le couvercle ne soit pas gonflé et que les raccords ne soient pas endommagés. Si le flexible a subi l'un des dommages précités, remplacez-le immédiatement. Ne jamais réparer un flexible d'alimentation en peinture. Le remplacer par un autre flexible mis à la terre.
- Tout flexible, raccord orientable, pistolet et accessoire utilisé avec cet appareil doit pouvoir fonctionner à une pression égale ou supérieure à 2750 lb/po2.
- Ne jamais pulvériser lorsqu'il vente.
- Porter des lunettes de protection.

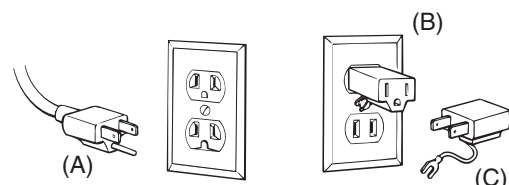


Utiliser uniquement une rallonge trifilèrè dotée d'une fiche de mise à la terre à trois broches et d'une prise à trois fentes pouvant accepter la fiche sur le produit. S'assurer que la rallonge est en bon état. S'assurer également que cette dernière convient au courant consommé par l'appareil. Une rallonge de section inférieure produira une perte de tension, entraînant une perte de puissance et la surchauffe. Une rallonge de calibre de 12 ou 14 est recommandée.

#### Directives sur la mise à la terre

Ce dispositif doit être mis à la terre. En cas de court-circuit, ce procédé permet de réduire le risque d'un choc électrique en fournissant un fil d'évacuation pour le courant. Ce produit est équipé d'un cordon comportant un fil de mise à la terre muni d'une fiche appropriée. Cette fiche doit être branchée sur une prise adéquatement installée et mise à la terre selon les codes et règlements locaux en vigueur.

Ce produit peut être utilisé sur un circuit minimal de 120 volts. Il comporte une fiche mise à la terre semblable à celle illustrée dans le schéma A. En l'absence d'une prise adéquatement mise à la terre, un adaptateur temporaire ressemblant à celui présenté dans les schémas B et C peut être utilisé. L'adaptateur temporaire ne doit être utilisé qu'en attendant l'installation d'une prise appropriée par un électricien qualifié. La languette rigide verte, ou le fil de mise à la terre provenant de l'adaptateur, doit être connecté à une base permanente correctement mise à la terre, tel le couvercle de la boîte de sortie. Lors de son utilisation, l'adaptateur doit être maintenu en place au moyen d'une vis métallique.



## ⚠ AVERTISSEMENT

**Une installation inadéquate de la fiche de mise à la terre risque de provoquer un choc électrique.**

S'il est nécessaire de réparer ou de remplacer le cordon ou la fiche, ne pas connecter le fil de mise à la terre vert à aucune des bornes à broches plates. Le fil comportant un isolant de couleur verte, avec ou sans lignes jaunes, est le fil de mise à la terre devant être connecté à la broche de mise à la terre.

Il est recommandé de consulter un électricien qualifié ou un technicien, lorsque les directives portant sur la mise à la terre ne sont pas entièrement comprises, ou lorsque l'on n'est pas sûr que le produit soit correctement mis à la terre. Ne pas modifier la fiche fournie. Si la fiche ne peut être insérée dans la prise, demander à un électricien qualifié d'installer la prise appropriée.

## Choix d'une rallonge

Si une rallonge est utilisée, s'assurer qu'il s'agit d'une rallonge trifilée dotée de connecteurs NEMA, de façon qu'un circuit de mise à la terre soit constamment fourni entre l'appareil et la prise du circuit d'alimentation. S'assurer également que le fil conducteur est suffisamment long, afin de prévenir toute perte excessive de tension; un fil de section inférieure entraînerait une perte de puissance et pourrait éventuellement causer des dommages au moteur de l'appareil. Les longueurs recommandées sont présentées dans le tableau ci-dessous.

Pour une intensité nominale (plaque signalétique) comprise entre celles indiquées, utiliser la rallonge recommandée pour la prochaine intensité nominale supérieure.

Une rallonge ne peut être utilisée à l'extérieur, que si le terme désignant son type est précédé des lettres W-A. Par exemple, SJTW-A indique que la rallonge en question peut être utilisée à l'extérieur.

		Longueur de la rallonge					
		7,6 m (25 pi)	15,2 m (50 pi)	22,9 m (75 pi)	30,5 m (100 pi)	38,1 m (125 pi)	45,7 m (150 pi)
Intensité nominale - plaque signalétique	0 à 5	18	18	18	18	18	18
	6	18	18	18	18	18	16
	7	18	18	18	18	16	16
	8	18	18	18	16	16	16
	9	18	18	18	16	16	14
	10	18	18	18	16	14	14
	11	16	16	16	16	14	14
	12	16	16	16	16	14	14
	13	16	16	16	14	14	14
	14	14	14	14	14	14	12
	15	14	14	14	14	14	12
16	14	14	14	14	12	12	
17	14	14	14	14	12	12	
18	14	14	14	14	12	12	
19	12	12	12	12	12	12	
20	12	12	12	12	12	12	

## Installation initiale

La pompe à piston est livrée entièrement assemblée. Il suffit donc, pour l'installer, d'effectuer les opérations indiquées ci-dessous.

1. Tirer sur le manche jusqu'à ce que les dispositifs de verrouillage du bouton s'enclenchent en place.

## Purge du pistolet

Lors de sa livraison, la section pour fluide de l'appareil contient un fluide d'essais, empêchant qu'une corrosion ne se produise durant le transport et l'entreposage.

Si l'appareil est utilisé pour vaporiser une peinture au latex, ce fluide doit être évacué du système et ce dernier entièrement nettoyé.

Si par contre le système est utilisé pour vaporiser une peinture à base de solvant, il suffit d'évacuer le fluide d'essais. Un nettoyage à fond n'est pas requis.

## ⚠ ATTENTION

**S'assurer que le pistolet est verrouillé et réglé à la position ARRÊT lors de l'exécution des opérations suivantes.**

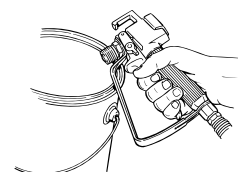
### Purge du système pour les peintures au latex

1. Placer un contenant d'eau savonneuse sous le tube de succion pour peinture. Se munir d'un contenant à déchets destiné à recevoir le fluide de décharge.
2. Détacher le tube de renvoi de la section pour fluide et le placer dans le contenant à déchets.

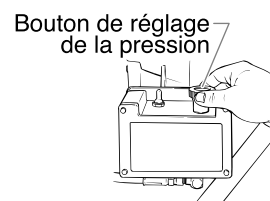


## ⚠ AVERTISSEMENT

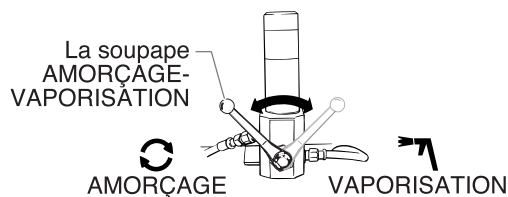
**Si un contenant en métal est utilisé, il est nécessaire de mettre à la terre le pistolet et le contenant. Pour ce faire, mettre en contact une partie métallique du pistolet avec le bord du contenant. Le défaut d'effectuer cette opération peut entraîner une décharge d'électricité statique et provoquer un incendie.**



3. Tourner le bouton de réglage de la pression dans le sens anti-horaire, jusqu'au minimum.



4. Régler la soupape AMORÇAGE-VAPORISATION à AMORÇAGE.



5. Régler l'interrupteur MARCHÉ-ARRÊT à ARRÊT.
6. Tourner lentement le bouton de réglage de la pression dans le sens horaire jusqu'à ce que le fluide émerge du tube de renvoi. Utiliser une quantité de pression suffisante pour que le fluide continue de s'écouler. Une fois que tout le fluide d'essais a été évacué du système, l'eau savonneuse commencera à s'écouler du tube de renvoi.

7. Régler le bouton de réglage de la pression au niveau le plus bas et remplacer le contenant d'eau savonneuse par un contenant d'eau claire.
8. Tourner lentement le bouton de réglage de la pression dans le sens horaire jusqu'à ce que l'eau s'écoulant du tube de renvoi soit claire.
9. Tourner le bouton de réglage de la pression dans le sens anti-horaire, jusqu'au minimum. Remplacer le contenant d'eau par un contenant de peinture au latex.
10. Tourner lentement le bouton de réglage de la pression dans le sens horaire jusqu'à ce que la peinture s'écoule du tube de renvoi.
11. Placer le tube de renvoi en position de fonctionnement au-dessus du contenant de peinture. Continuer à faire circuler la peinture à travers le système jusqu'à ce que la peinture s'écoulant du tube de renvoi ne comporte aucune bulle d'air.
12. Tourner le bouton de réglage de la pression dans le sens anti-horaire, jusqu'au minimum. L'appareil est maintenant prêt à être utilisé.

## ⚠ ATTENTION

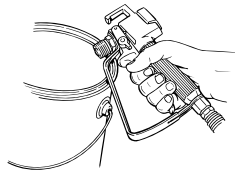
S'assurer que le pistolet est verrouillé et réglé à la position **ARRÊT** lors de l'exécution des opérations suivantes.

### Purge du système pour une peinture à base de solvant

1. Placez un contenant de peinture sous le tube de succion de peinture. Se munir d'un contenant à déchets destiné à recevoir le fluide de décharge.
2. Détacher le tube de renvoi de la section pour fluide et le placer dans le contenant à déchets de façon à ce qu'il se maintienne bien en place.

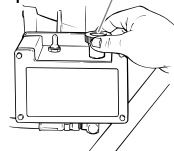
## ⚠ AVERTISSEMENT

**Si un contenant en métal est utilisé, il est nécessaire de mettre à la terre le pistolet et le contenant. Pour ce faire, mettre en contact une partie métallique du pistolet avec le bord du contenant. Le défaut d'effectuer cette opération peut entraîner une décharge d'électricité statique et provoquer un incendie.**

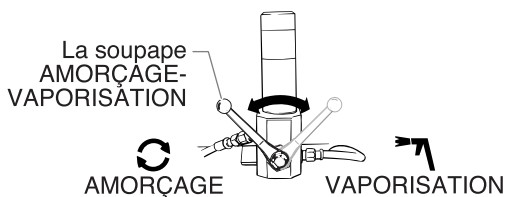


3. Tourner le bouton de réglage de la pression dans le sens anti-horaire, jusqu'au minimum.

Bouton de réglage de la pression



4. Régler la soupape AMORÇAGE-VAPORISATION à AMORÇAGE.



5. Régler l'interrupteur MARCHÉ-ARRÊT à ARRÊT.

6. Tourner lentement le bouton de réglage de la pression dans le sens horaire jusqu'à ce que le fluide émerge du tube de renvoi. Utiliser une quantité de pression suffisante pour que le fluide continue de s'écouler. Une fois que tout le fluide d'essais a été évacué du système, la peinture commencera à s'écouler du tube de renvoi.
7. Régler le bouton de réglage de la pression au niveau le plus bas.
8. Placer le tube de renvoi en position de fonctionnement au-dessus du contenant de peinture. Continuer à faire circuler la peinture à travers le système jusqu'à ce que la peinture s'écoulant du tube de renvoi ne comporte aucune bulle d'air.
9. L'appareil est maintenant prêt à être utilisé.

## Fonctionnement du pistolet

Avant de commencer toute opération de pulvérisation, injecter le lubrifiant de la garniture supérieure (no de pièce 9992504) dans les fentes du corps de la pompe supérieur.

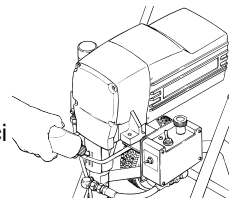
**NOTA: S'assurer de ne pas appliquer une trop grande quantité de lubrifiant, afin d'éviter que ce dernier ne s'écoule dans la peinture.**

Ce lubrifiant permet aux joints du piston de conserver toute leur souplesse, minimisant ainsi un débordement de peinture et une usure du piston. Si l'appareil est utilisé quotidiennement pendant plusieurs heures, lubrifier celui-ci approximativement toutes les 4 heures.

S'il s'agit d'un nouvel appareil, suivre les étapes relatives à la purge du système indiquées ci-dessus. Si, par contre, l'appareil a déjà été utilisé, faire évacuer l'eau ou le solvant comme il est indiqué ci-dessus, en fonction du type de peinture utilisé.

Une fois la pompe prête à être utilisée, il peut aussi être nécessaire d'évacuer l'eau ou le solvant des flexibles.

1. S'assurer que l'interrupteur de limite du courant est réglé correctement.
2. Tourner le bouton de réglage de la pression dans le sens anti-horaire, jusqu'au minimum.
3. Régler la soupape AMORÇAGE-VAPORISATION à VAPORISATION.
4. S'assurer que le pistolet n'est pas muni d'un embout.
5. Tourner l'interrupteur de sûreté du pistolet afin de déverrouiller ce dernier.
6. Tourner le bouton de réglage de la pression dans le sens horaire jusqu'à mi-chemin, afin d'augmenter la pression.
7. Appuyez sur la détente et pulvériser dans un contenant à déchets jusqu'à ce que l'eau ou le solvant soit évacué des flexibles.



## ⚠ AVERTISSEMENT

**Si un contenant en métal est utilisé, il est nécessaire de mettre à la terre le pistolet et le contenant. Pour ce faire, mettre en contact une partie métallique du pistolet avec le bord du contenant. Le défaut d'effectuer cette opération peut entraîner une décharge d'électricité statique et provoquer un incendie.**

8. Tourner le bouton de réglage de la pression dans le sens anti-horaire, jusqu'au minimum.
9. Régler le bouton AMORÇAGE-VAPORISATION à AMORÇAGE.
10. Appuyez sur la détente du pistolet, afin de s'assurer qu'aucune pression n'existe dans le flexible.
11. Tourner l'interrupteur de sûreté du pistolet pour le verrouiller.
12. Installer l'embout approprié au produit utilisé. Plus la peinture est épaisse, plus l'embout doit être large.
13. Régler la soupape AMORÇAGE-VAPORISATION à VAPORISATION.

14. Tourner le bouton de réglage de la pression dans le sens horaire, jusqu'au maximum.
15. Tourner l'interrupteur de sûreté du pistolet, afin de déverrouiller ce dernier.
16. Appuyer sur la détente du pistolet et vérifier le jet de pulvérisation sur un vieux morceau de carton ou sur tout autre type de surface.
17. Régler l'appareil à la pression appropriée.

## Réglage de la pression

Le réglage du niveau de pression est fonction du type de peinture, ainsi que de la taille et du type d'embout utilisés. Plus la peinture est épaisse, plus la pression doit être élevée. Pour obtenir un niveau de pression appropriée, il suffit d'effectuer les opérations suivantes :

1. Tourner le bouton de réglage de la pression dans le sens horaire, jusqu'au maximum.
2. Appuyer sur la détente du pistolet et tourner lentement le bouton de réglage de la pression dans le sens anti-horaire, jusqu'à ce que la pression minimale nécessaire à l'obtention du jet de pulvérisation désiré ait été atteinte.

**NOTA : Vérifier le jet de pulvérisation sur une surface autre que celle devant être peinte, jusqu'à ce que le résultat obtenu soit satisfaisant.**

## Utilisation du pistolet

Suivre les directives accompagnant le pistolet.

## Procédure relative à l'élimination de la pression

1. Tourner l'interrupteur de sûreté du pistolet pour le verrouiller.
2. Régler l'interrupteur MARCHE-ARRÊT à ARRÊT.
3. Placer le tube de renvoi dans un contenant et le maintenir fermement en place.
4. Tourner la soupape AMORÇAGE-VAPORISATION à AMORÇAGE. La pression sera libérée et le fluide s'écoulera à travers le tube de renvoi.
5. Libérer toute pression présente dans le flexible en tournant l'interrupteur de sûreté du pistolet, afin de déverrouiller ce dernier, et en pulvérisant dans un contenant.

## AVERTISSEMENT

**Le contenant, y compris les poignées, doivent toujours être mis à la terre. Le défaut d'effectuer cette opération peut entraîner une décharge d'électricité statique et provoquer une explosion ou un incendie.**

6. Tourner l'interrupteur de sûreté du pistolet afin de le verrouiller.

**NOTA : Laisser la soupape AMORÇAGE-VAPORISATION réglée à AMORÇAGE, jusqu'au prochain emploi de l'appareil.**

## Amorçage du pistolet

1. Régler la soupape AMORÇAGE-VAPORISATION à AMORÇAGE.
2. Placer le tuyau de succion dans le contenant de peinture.
3. Tourner le bouton de réglage de la pression dans le sens anti-horaire, jusqu'au minimum.
4. Régler l'interrupteur MARCHE-ARRÊT à MARCHE.
5. Tourner lentement le bouton de réglage de la pression dans le sens horaire, jusqu'à ce que la peinture commence à s'écouler du tuyau de renvoi.
6. Tourner le bouton de réglage de la pression dans le sens anti-horaire, jusqu'au minimum.
7. Régler la soupape AMORÇAGE-VAPORISATION à VAPORISATION.

8. Tourner l'interrupteur de sûreté du pistolet pour le déverrouiller.

## AVERTISSEMENT

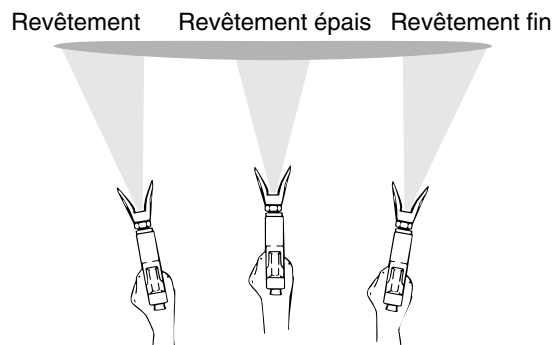
**Si un contenant en métal est utilisé, il est nécessaire de mettre à la terre le pistolet et le contenant. Pour ce faire, mettre en contact une partie métallique du pistolet avec le bord du contenant en métal. Le défaut d'effectuer cette opération peut entraîner une décharge d'électricité statique et provoquer un incendie.**

9. Appuyer sur la détente du pistolet et pulvériser dans un contenant à déchets. Continuer d'appuyer sur la détente tout en tournant lentement le bouton de réglage de la pression dans le sens horaire jusqu'à ce que de la peinture s'écoule de l'embout. Continuer de pulvériser jusqu'à ce que tout l'air ait été évacué du système et que la peinture s'écoule librement.
10. Relâcher la détente et tourner l'interrupteur de sûreté du pistolet pour le verrouiller.
11. Vérifier que les raccords pour fluide ne contiennent aucune fuite. Le cas échéant, suivre la procédure relative à la libération de la pression avant de serrer les raccords en question.

## Pulvérisation

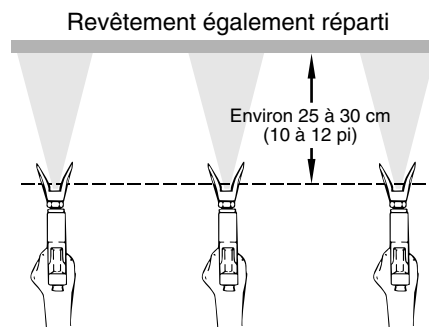
### Technique de pulvérisation

Pour qu'un travail soit bien fait, il est essentiel d'obtenir un revêtement uniforme sur toute la surface. Pour ce faire, il est nécessaire d'effectuer des mouvements de bras réguliers. Déplacer le bras à une vitesse constante en maintenant toujours le pistolet à une même distance de la surface. La meilleure distance à maintenir entre l'embout du pistolet et la surface est de 25 à 30 cm.



Ne pas fléchir le poignet durant la pulvérisation.

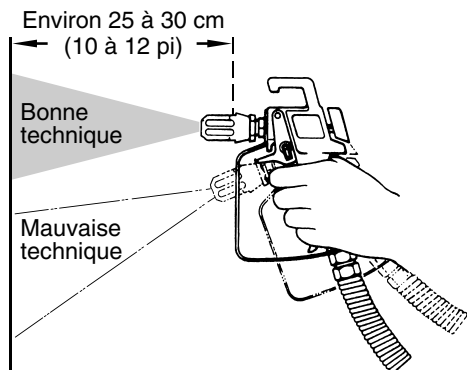
Maintenir le pistolet à angle droit avec la surface. Pour ce faire, il est essentiel d'effectuer le mouvement de gauche à droite en déplaçant tout le bras, et non pas uniquement le poignet.



Déplacez votre bras d'un mouvement régulier et à vitesse constante.

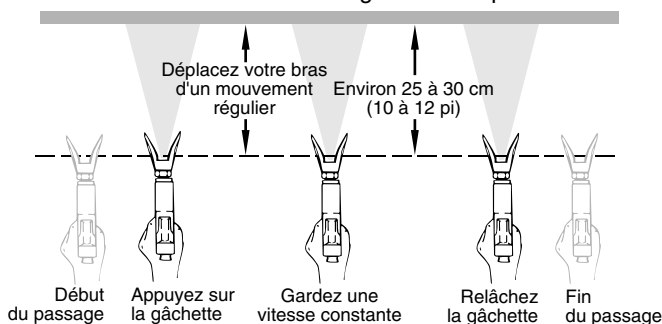
Maintenir le pistolet perpendiculaire à la surface, sinon une partie du jet sera plus épaisse que l'autre.





Le pistolet doit être déclenché en l'arrêtant et en le redémarrant avec chaque mouvement. Ce procédé permet d'économiser de la peinture et d'éviter une accumulation du produit à la fin de chaque mouvement. Ne pas déclencher le pistolet à mi-chemin du mouvement; cela produirait un jet irrégulier et créerait des taches sur la surface.

#### Comment bien utiliser la gâchette du pistolet



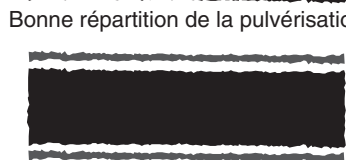
Chaque mouvement doit recouvrir 30 % de la surface ayant été couverte lors du mouvement précédent; cette technique permet d'assurer un revêtement uniforme.

Une fois l'opération terminée, verrouiller l'interrupteur de sûreté du pistolet, tourner le bouton de réglage de la pression dans le sens anti-horaire jusqu'au minimum, et régler la soupape AMORÇAGE-VAPORISATION à AMORÇAGE. Régler ensuite l'interrupteur MARCHÉ-ARRÊT à ARRÊT, puis débrancher le pistolet.

## Exercice

1. S'assurer que le flexible pour peinture n'est pas entortillé et qu'il ne se trouve pas à proximité d'objets tranchants.
2. Tourner le bouton de réglage de la pression dans le sens anti-horaire, jusqu'au minimum.
3. Régler la soupape AMORÇAGE-VAPORISATION à VAPORISATION.
4. Tourner le bouton de réglage de la pression dans le sens horaire, jusqu'au maximum. Le flexible pour peinture devrait se raidir au moment où la peinture commence à s'en écouler.
5. Déverrouiller l'interrupteur de sûreté du pistolet en le tournant de façon à ce qu'il soit parallèle au manche.
6. Appuyer sur la détente du pistolet, afin d'évacuer l'air du flexible.
7. Lorsque la peinture arrive au niveau de l'embout, pulvériser sur une surface, telle qu'un vieux morceau de carton, afin de vérifier le type de jet obtenu.

8. Utiliser le minimum de pression nécessaire à l'obtention d'un jet adéquat. Si la pression est trop élevée, le jet sera trop mince. Si, par contre, la pression est trop basse, des dégoûlinades apparaîtront sur la surface, ou la peinture se répandra sous forme de taches plutôt que de manière uniforme.



Traînées de peinture

La plupart des peintures ou teintures au latex requièrent une pression très élevée. C'est pourquoi le pistolet a été conçu de façon à pouvoir accepter une pression liquide de 2750 lb/po<sup>2</sup>.

**NOTA : Pour la pulvérisation de bouche-pores, de mastics ou de peintures à haut extrait sec, ne pas utiliser le filtre du pistolet, ni les filtres haute pression.**

## Nettoyage

### ⚠ AVERTISSEMENT

Instructions de nettoyage spéciales si des solvants inflammables sont utilisés :

- Toujours rincer le pistolet pulvérisateur avec au moins une longueur de tubulure partant de la pompe de pulvérisation.
- Si l'on prévoit récolter les solvants issus du rinçage dans un récipient en métal de 4 litres (1 gallon US), placer ce dernier dans un récipient vide de 20 litres (5 gallons US) avant d'effectuer le rinçage des solvants.
- Il ne doit y avoir aucune vapeur de produits inflammables proximité.
- Suivre toutes les instructions de nettoyage.

### ⚠ ATTENTION

La pompe, le flexible et le pistolet doivent être entièrement nettoyés après chaque utilisation. Le défaut d'effectuer un nettoyage complet de ces éléments, permet au produit de sécher et de se durcir, affectant considérablement la performance de l'appareil.

Après chaque utilisation, toute la peinture doit être évacuée de du système au moyen d'un solvant compatible avec le produit utilisé; le système doit être ensuite nettoyé à fond à l'aide d'une essence minérale.

### ⚠ AVERTISSEMENT

Lors du nettoyage de la pompe, du flexible et du pistolet à l'aide d'une essence minérale ou de tout autre solvant, toujours pulvériser en utilisant un minimum de pression, après avoir retiré l'embout du pistolet. Une accumulation d'électricité statique peut, en présence de vapeurs inflammables, causer un incendie ou une explosion.

### ⚠ AVERTISSEMENT

S'assurer de bien suivre la procédure relative à l'élimination de la pression lorsque l'on arrête l'appareil pour quelle que raison que ce soit, y compris lorsqu'il s'agit d'effectuer les opérations d'entretien ou de nettoyage requises ou d'ajuster toute pièce du système, ou encore, de remplacer ou de nettoyer les embouts du pistolet.

1. Régler le bouton MARCHÉ-ARRÊT à ARRÊT.
2. Éliminer toute pression résiduelle de la pompe en réglant le bouton AMORÇAGE-VAPORISATION à AMORÇAGE.
3. Retirer l'embout et le nettoyer à l'aide d'un solvant approprié.
4. Retirer le contenant de peinture se trouvant sous le tube de succion.
5. Placer un contenant de solvant approprié sous le tube de succion.
6. Tourner le bouton de réglage de la pression dans le sens anti-horaire, jusqu'au minimum.
7. Régler l'interrupteur MARCHÉ-ARRÊT à MARCHÉ.
8. Appuyez sur le détente et pulvériser dans un contenant à déchets, afin de faire circuler le solvant utilisé à travers la pompe, le flexible et le pistolet.

9. Régler l'interrupteur MARCHÉ-ARRÊT à ARRÊT.
10. Suivre la procédure relative à l'élimination de la pression présentée dans ce manuel.
11. Débrancher l'appareil et l'entreposer dans un endroit propre est sec.

**NOTA : Pour un entreposage à long terme, s'assurer de nettoyer à fond l'appareil au moyen d'une huile appropriée.**

## Entretien

### Entretien quotidien

L'entretien quotidien de l'appareil comporte trois étapes, qui sont les suivantes :

1. Lubrification des garnitures supérieures.
2. Nettoyage du filtre haute pression.
3. Nettoyage de filtre d'entrée.

### Lubrification des garnitures supérieures

1. Nettoyer la peinture qui s'est écoulée au-delà des garnitures supérieures dans le boîtier de rallonge.

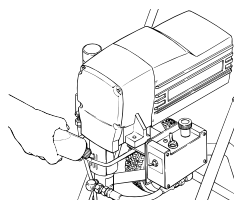
**NOTA : Il peut s'avérer nécessaire de desserrer les vis du couvercle avant et de retirer le protecteur de doigts, afin de pouvoir nettoyer entièrement le boîtier de rallonge. Une quantité excessive de peinture dans le boîtier nuira au bon fonctionnement de l'appareil.**

### ⚠ AVERTISSEMENT

**Ne pas opérer la pompe sans que celle-ci soit munie du protecteur de doigts ou du couvercle avant. Les pièces en mouvement peuvent être la source de blessures.**

2. Injecter le lubrifiant du boîtier supérieur (no de pièce 9992504) dans les fentes du boîtier supérieur de la pompe. Si l'appareil est utilisé pendant plusieurs heures, lubrifier environ toutes les 4 heures.

**NOTA : S'assurer de ne pas appliquer une trop grande quantité de lubrifiant, afin d'éviter que ce dernier ne s'écoule dans la peinture.**



### Nettoyage du filtre haute pression

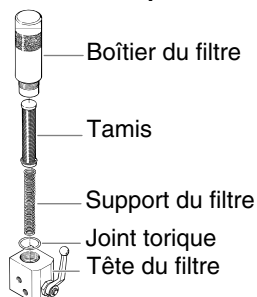
Le filtre haute pression a tendance à se boucher; on doit donc le nettoyer au besoin.

1. Tourner le boîtier du filtre dans le sens anti-horaire jusqu'à ce qu'il puisse être retiré de la tête du filtre.
2. Retirer le tamis et le nettoyer à fond à l'aide d'un solvant approprié. Brosser le filtre à l'aide d'une brosse en fibres de soie, s'il y a lieu.

### ⚠ ATTENTION

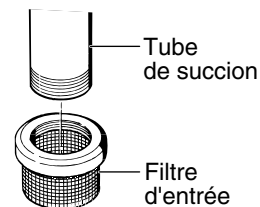
**Ne pas utiliser de brosse métallique afin de ne pas endommager le tamis.**

**NOTA : Le filtre doit être nettoyé au moins une fois par jour. Ne pas replacer le filtre lorsqu'on utilise des bouche-pores, des mastics ou tout autre produit semblable.**



### Nettoyage du filtre d'entrée

1. Le filtre d'entrée a tendance à se boucher; on doit donc le nettoyer au moins une fois par jour.
2. Tourner le filtre d'entrée dans le sens anti-horaire jusqu'à ce qu'il puisse être retiré de la base du tube de succion.
3. Nettoyer le filtre à fond à l'aide du solvant approprié.



### Entretien additionnel

#### Remplacement de la garniture de la section de fluide

Il est normal qu'une petite quantité de peinture passe à côté du piston et s'écoule à travers les fentes du boîtier supérieur. Par contre, si cette quantité devient excessive ou si la pression chute, on doit remplacer les garnitures du piston.

### ⚠ AVERTISSEMENT

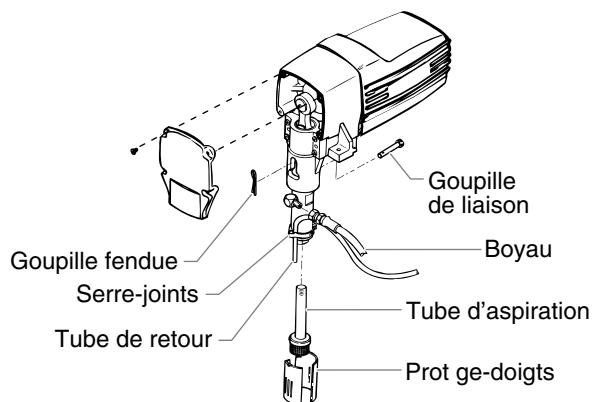
**TOUJOURS suivre la PROCÉDURE DE DÉCOMPRESSION de ce manuel avant de procéder au diagnostic des anomalies, à l'entretien ou au nettoyage.**

### ⚠ AVERTISSEMENT

**DANGER DE CHOC ÉLECTRIQUE. S'assurer que l'appareil soit éteint et débranché avant de le démonter.**

#### Retrait de la section de fluide

1. Desserrer et retirer le tube d'aspiration en le tournant vers la gauche.
2. Dégager l'enveloppe de protection.
3. Retirer le protège-doigts.
4. Desserrer le serre-joints et enlever la canalisation de retour.
5. Dégager la goupille fendue de la goupille de liaison.
6. Enlever la goupille de liaison en la poussant à travers le bloc coulissant et la tige de piston.
7. Desserrer et retirer le boyau.
8. Desserrer le large écrou de blocage situé sur la partie supérieure de la section de fluide.
9. Devisser le réservoir au complet en le tournant vers la gauche.



### ⚠ ATTENTION

**Ne pas faire fonctionner le moteur lorsque la section de fluide est retirée.**

## Retrait du de l'assemblage de la tige du piston

Se reporter à la liste des pièces de l'assemblage de la section de fluide.

1. Placer le logement de la soupape d'aspiration (26) dans un étau de manière à ce que le réservoir soit positionné à la verticale. Serrer l'étau.
2. Placer une large clé à ouverture variable sur les pans de manoeuvre du cylindre (8). Tourner ce dernier vers la gauche jusqu'à ce qu'il se détache du logement de la soupape d'aspiration.
3. Retirer le logement de la soupape d'aspiration de l'étau. Enlever la cage de la bille d'entrée (22) et la goupille d'arrêt de la bille (21) en les frappant doucement.

**NOTA: Si une pièce s'avère difficile à démonter, la tremper dans un solvant approprié jusqu'à ce que la peinture se ramollisse.**

4. Enlever le siège au carbure de la soupape d'aspiration (24) et inspecter la bille de la soupape ainsi que son siège afin de s'assurer qu'il n'y ait aucun dommage. Si le siège est usé ou endommagé, on peut le retourner sur le côté inutilisé. Lorsqu'on retourne ou qu'on remplace le siège, il faut aussi remplacer la bille.

**NOTA: Si le siège au carbure de la soupape doit être remplacé, utiliser la trousse de la soupape pièce n° 0294979.**

5. Enlever le joint torique du siège de la soupape d'aspiration (25) du logement de cette dernière.
6. Positionner les pans de manoeuvre du cylindre (8) dans un étau et le serrer.



**Ne pas trop serrer afin de ne pas endommager le cylindre.**

7. Enlever l'écrou à pression (1).



**Garder une main sous la tige du piston (16) afin de l'empêcher de tomber et de s'endommager. Les garnitures inférieures peuvent aussi se détacher et tomber par terre.**

8. Frapper doucement sur l'assemblage du piston vers le bas au moyen d'un maillet en caoutchouc jusqu'à ce qu'il se dégage.

## Nettoyage de la tige du piston

1. Retirer le cylindre de l'étau.
2. Placer la tige du piston dans l'étau et le serrer.



**On peut endommager la tige du piston lorsqu'on utilise un étau muni de mâchoires en acier. Utiliser un étau à mâchoires en aluminium ou prendre les précautions nécessaires pour protéger la tige.**

3. Enlever l'écrou de retenue (20).
4. Retirer le siège de la soupape de décharge (19), la bille de sortie (18), la rondelle d'étanchéité (27) et la cage de la bille de sortie (17). Inspecter le siège de la bille ainsi que la bille de la soupape de décharge afin de s'assurer qu'ils ne soient pas endommagés. Si le siège est usé ou endommagé, on peut le retourner sur le côté inutilisé. Lorsqu'on retourne ou qu'on remplace le siège, il faut aussi remplacer la bille.
5. Détacher les garnitures inférieures (12, 13), l'anneau à pression (11), la rondelle ondulée (10) et le joint torique (9) du cylindre (8).
6. Tremper les garnitures en cuir neuves dans l'huile de lin pendant cinq minutes. Ne pas faire tremper trop longtemps.

7. Nettoyer les pièces démontées au moyen du solvant approprié.
8. Replacer la cage de la bille de sortie (17), la bille de sortie (18), la rondelle d'étanchéité (27) et le siège de la soupape de décharge (19), dans cet ordre, dans la tige du piston.
9. Enduire les filets de l'écrou de retenue (20) d'un composé spécial antigrippant et serrer l'écrou la tige du piston. Serrer l'écrou de retenue jusqu'à 7,32 m/kg de couple. Retirer l'assemblage du piston de l'étau.

## Remplacement des garnitures

1. Placer les pans de manoeuvre du cylindre (8) dans l'étau et le serrer.
2. Insérer le ressort ondulé (6), l'anneau à pression (5), les garnitures supérieures (3, 4) et l'adaptateur (2) dans le cylindre (8).

**NOTE: S'assurer d'alterner les garnitures UHMWPE et en cuir, tel qu'illustré.**

3. Fileter l'écrou de la garniture (1) dans le cylindre, sans trop serrer.
4. Retirer le cylindre de l'étau, le retourner et le replacer dans l'étau de manière à ce que la partie inférieure du cylindre soit vers le haut.
5. Insérer le ressort ondulé (10), l'anneau à pression inférieure (11), les garnitures inférieures (12, 13), le support annulaire inférieur (14) et le joint torique (15) dans le cylindre.

## Installation de la tige du piston

1. Insérer l'assemblage de la tige du piston dans le cylindre.
2. Insérer le joint torique (25) dans le logement de la soupape d'admission (26).
3. Insérer le siège de la bille d'entrée (24) et la bille d'entrée (23) dans le logement de la soupape d'admission.
4. Insérer la goupille d'arrêt (21) dans la cage de la bille d'entrée (22) et les placer dans le logement de la soupape d'admission (26).
5. Placer le joint torique (9) dans le logement de la soupape d'admission.
6. Fileter l'assemblage du logement de la soupape d'admission sur la partie inférieure de l'assemblage du cylindre. Serrer jusqu'à 22,9 m/kg de couple.
7. Installer le large écrou de blocage (7) sur le cylindre et le tourner jusqu'à ce que l'écrou soit placé sur la partie inférieure de la section filetée du cylindre.

## Fixation de la section de fluide

1. Retirer la section de fluide assemblée de l'étau. Enduire les filets supérieurs du cylindre d'un composé antigrippant et le fixer dans le logement de la pompe. La tige du piston (16) s'alignera avec le bloc coulissant.
2. Tourner la section de fluide de manière à ce que le trou dans le bloc coulissant soit aligné avec celui de l'assemblage du piston.
3. Glisser la goupille de liaison à travers les trous situés dans le bloc coulissant et l'assemblage du piston.
4. Replacer la goupille fendue pour bien retenir la goupille de liaison (voir l'illustration à la page précédente).
5. Visser jusqu'au bout la section du fluide dans le logement de la pompe, puis la dévisser légèrement de manière à aligner le coude de sortie correct selon mon dictionnaireDTG avec le boyau.
6. Serrer fermement l'écrou de blocage (7) en le tournant vers la droite jusqu'à ce qu'il soit bien fixé contre le carter d'entraînement. Serrer jusqu'à 45,7 m/kg de couple.

## Remplacement des balais du moteur

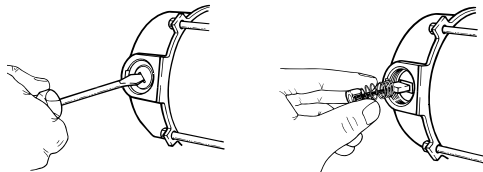
Les balais doivent être inspectés périodiquement afin de s'assurer qu'il n'y a aucune usure. Si l'un des balais mesure moins de 1,27 cm, ou s'il est usé ou écaillé, on doit remplacer les deux balais du moteur. On recommande de remplacer les balais en même temps que les garnitures.

### **AVERTISSEMENT**

**TOUJOURS suivre la PROCÉDURE DE DÉCOMPRESSION de ce manuel avant de procéder au diagnostic des anomalies, à l'entretien ou au nettoyage.**

### Enlèvement du cordon du moteur

1. Débrancher le cordon d'alimentation de la source de courant.
2. Desserrer les quatre vis Allen à six pans creux situées le long du capot du moteur et retirer le capot.
3. Dévisser et retirer les capuchons qui retiennent les balais en place.
4. Détacher doucement les balais au moyen de la lame d'un tournevis.
5. Installer les balais neufs (pièce no 07101).

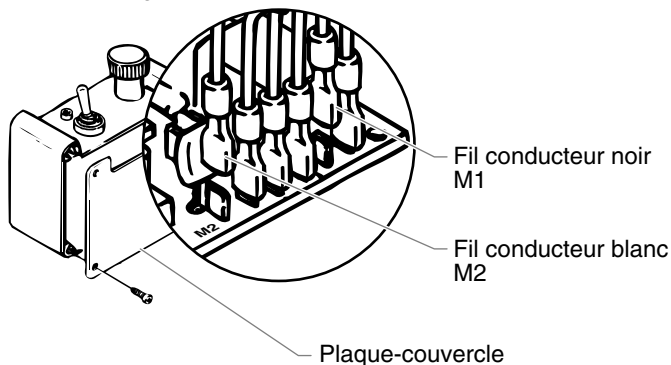


6. Réinstaller les capuchons. Si les anciens capuchons sont endommagés, les remplacer par des capuchons neufs (pièce no 07103).
7. Remplacer le capot du moteur et les vis Allen.

## Remplacement de l'induit

### Enlèvement du cordon du moteur

1. Débrancher l'appareil de la source de courant et suivre la procédure de décompression de ce manuel.
2. Retirer le capot du moteur en dévissant les quatre vis Allen à six pans qui retiennent l'enveloppe de protection à la plaque de l'adaptateur.
3. Enlever la plaque-couvercle de la boîte de commande de pression en dévissant les quatre vis à tête étoilée noires.
4. Débrancher le raccord encliquetable pour le fil conducteur noir du moteur de M1 situé sur le bord avant de la plaquette de circuit, puis débrancher celui pour le fil conducteur du moteur blanc de M2. Consulter le schéma de câblage dans la section des pièces de ce manuel.

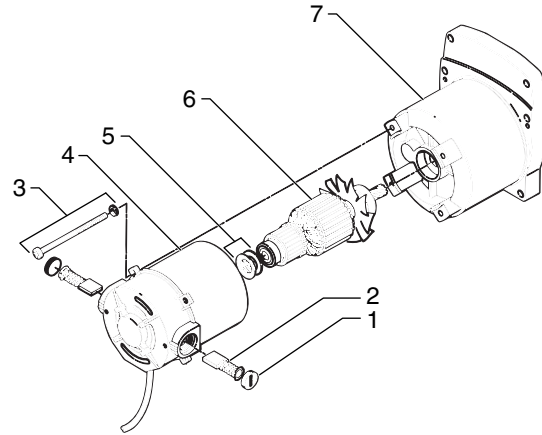


**NOTA: Faire attention à la longueur de la gaine du cordon qui pénètre à l'intérieur de la boîte et de l'acheminement des deux fils jusqu'à la plaquette de circuit, car cette information est nécessaire au moment de remplacer le cordon du moteur.**

5. Retirer le serre-câble retenant le cordon du moteur dans la plaque de montage du support de la boîte de commande de pression. Retirer soigneusement le cordon du moteur à travers l'orifice du serre-câble.

## Installation de l'induit neuf

Se reporter à l'illustration ci-dessous durant les étapes suivantes.



1. Dévisser les capuchons des balais du moteur (1) et retirer les balais (2).
2. Marquer un repère d'alignement sur le boîtier du moteur et la boîte d'engrenage de sorte que le moteur soit orienté correctement lorsqu'on l'assemble à nouveau.
3. Retirer les quatre longues vis Phillips (3) situées le long du corps du moteur.
4. Enlever soigneusement le corps du moteur (4) en tirant tout droit vers l'arrière du support. Normalement, l'induit (6) demeure fixé sur la boîte d'engrenage (7) lorsqu'on retire le corps.
5. Enlever l'induit en le saisissant au centre et en le tirant droit vers l'arrière; s'il y a une résistance quelconque, le basculer doucement de haut en bas en tirant. Si l'induit s'est détaché avec le corps, le sortir tout simplement en saisissant le palier d'armature.
6. Récupérer les deux rondelles Belleville (5) de l'alésage du coussinet intérieur l'arrière dans le flasque du moteur.
7. Placer le corps du moteur en position verticale et réinsérer les rondelles Belleville dans l'alésage du coussinet arrière du flasque du moteur. Empiler les rondelles de manière à ce que les diamètres intérieurs entrent en contact les uns avec les autres.
8. Installer l'induit neuf dans le corps du moteur.
9. Une fois l'induit installé dans le corps, insérer le palier d'induit avant dans l'alésage celui de la boîte d'engrenage. Le diamètre intérieur du boîtier du moteur devrait pouvoir glisser par dessus les quatre pièces centrales (moyeux) centraux?? situés sur la boîte d'engrenage.
10. Aligner les repères sur le boîtier du moteur et la boîte d'engrenage et fixer le capotcorps à la boîte d'engrenage au moyen des quatre longues vis Phillips.

### Remplacement du cordon du moteur

1. Insérer le cordon du moteur à travers l'orifice du serre-câble situé sur la plaque de montage de la commande de pression du support. Positionner la partie munie de la gaine du cordon à travers l'orifice, selon la distance indiquée à l'étape 4 de la section « Enlèvement du cordon du moteur. Brancher à nouveau le raccord encliquetable pour le fil conducteur noir sur M1 et le fil conducteur blanc sur M2 situés sur le bord avant de la plaquette de circuit. Acheminer les fils en suivant l'étape 4.
2. Installer le serre-câble sur l'arrière de la plaque de montage de la commande de pression.
3. Visser la plaque-couvercle de la boîte de commande de pression.
4. Inspecter les balais du moteur afin de s'assurer qu'ils ne soient pas usés ni endommagés. Si les balais mesurent moins de 1,27 cm, les remplacer. Installer ces derniers et les capuchons.
5. Remplacer le capot du moteur et les vis de montage.

# En cas de problème

## Problème

L'appareil ne fonctionne pas.

## Cause

1. Un disjoncteur s'est déclenché au niveau de l'appareil ou de la fiche.
2. L'appareil n'est pas branché.
3. Le bouton de commande de pression est réglé trop bas.
4. Le câblage ou le circuit est défectueux.
5. Les balais du moteur sont usés.
6. L'interrupteur MARCHÉ / ARRÊT est défectueux.

## Solution

1. Vérifier les disjoncteurs et les régler à nouveau, le cas échéant.
2. Brancher l'appareil.
3. Augmenter la pression.
4. Emporter l'appareil à un Centre de service autorisé.
5. Vérifier les balais et les remplacer, le cas échéant.
6. Emporter l'appareil à un Centre de service autorisé.

L'appareil ne veut pas démarrer.

1. Les garnitures du piston sont sèches.
2. La soupape d'admission présente une fuite.
3. La grille d'entrée d'air de la pompe est bloquée.
4. De l'air se trouve dans la pompe ou dans le boyau.

1. Retirer le tube d'aspiration et vérifier si la bille inférieure se déplace librement. Placer une tasse remplie de diluant pour peinture sur l'extrémité de la section du fluide et mettre la pompe en marche.
2. Remplacer la soupape d'admission par la (pièce no 0294979).
3. Enlever la grille d'entrée d'air et la nettoyer.
4. Placer la détente dans la position ouverte et faire fonctionner l'appareil pendant environ 10 secondes jusqu'à ce que l'air soit complètement purgé. Vérifier le tube d'aspiration afin de s'assurer qu'il n'y ait aucune fuite.
5. Remplacer les garnitures par des garnitures neuves (pièce no 0294978).
6. Apprêter la pompe au moyen d'un solvant compatible et augmenter la pression jusqu'à la pression voulue. Sortir soigneusement la pompe du contenant de solvant et tremper le tube d'aspiration dans le fluide épais à pulvériser. Retirer l'embout de pulvérisation et appuyer sur la détente jusqu'à ce que le fluide atteigne le pistolet. Remplacer l'embout.
7. Enlever et nettoyer le tube d'aspiration.
8. Vérifier le tube d'aspiration et sceller les fuites, le cas échéant.
9. Relâcher la pression, puis retirer et nettoyer l'embout.

5. Les garnitures du piston sont usées.
6. La peinture est trop épaisse.

1. Augmenter la pression.
2. Nettoyer le tamis de remplissage de la pompe.
3. Remplacer ou nettoyer les billes et les sièges de la soupape.
4. Placer la détente dans la position ouverte et faire fonctionner l'appareil pendant environ 10 secondes jusqu'à ce que l'air soit complètement purgé.
5. Remplacer les garnitures par des garnitures neuves (pièce no 0294978).
6. Remplacer l'embout de pulvérisation en suivant les directives du pistolet de pulvérisation.
7. Placer la détente dans la position « OFF », augmenter la pression jusqu'à la pression voulue, puis fermer l'appareil lorsque la pompe démarre momentanément. Vérifier la source de la fuite interne et réinstaller la section du fluide.
8. Remplacer les soupapes par les soupapes neuves (pièces n° 0294979).
9. Vérifier tous les raccords de boyaux et les connecteurs afin de s'assurer qu'il n'y ait aucune fuite.
10. Consulter les recommandations du fabricant dont le nom est inscrit sur l'étiquette du contenant de fluide.
11. Remplacer l'embout de pulvérisation.
12. Nettoyer le bloc coulissant.
13. Vérifier la soupape D'APPRÊT / DE PULVÉRISATION et la nettoyer, le cas échéant. L'ancrer fermement dans la position de pulvérisation.

L'appareil n'augmente et ne maintient pas la pression.

1. Le bouton de commande de pression n'est pas réglé correctement.
2. Le tamis de remplissage de la pompe est sale.
3. Les billes ou les sièges de la soupape sont usés ou sales.
4. De l'air se trouve dans la pompe ou dans le boyau.

5. Les garnitures du piston sont usées.
6. L'embout de pulvérisation est usé.
7. L'appareil présente une fuite interne.

1. Relâcher la pression et remplacer les garnitures.
2. Remplacer la tige du piston.

Le fluide s'écoule de l'extrémité supérieure de la section du fluide.

1. La garniture supérieure est usée.
2. La tige du piston est usée.

Le jet de pulvérisation est inadéquat.

1. L'embout est trop large.
2. La pression est réglée incorrectement.
3. Une quantité insuffisante de fluide atteint le pistolet de pulvérisation.
4. Le fluide est trop épais.

1. Utiliser un plus petit embout de pulvérisation.
2. Régler la pression à nouveau.
3. Nettoyer tout les tamis et les filtres.
4. Ajouter du solvant ou de l'eau selon les recommandations du fabricant du fluide.

La pression est basse.

1. La pression est trop basse.
2. La source d'alimentation n'offre pas le bon niveau de tension.
3. La rallonge est trop longue.
4. Le limiteur de courant est réglé à 15 A.

1. Augmenter la pression.
2. Brancher l'appareil à une prise de 120 V a.c.
3. Utiliser une rallonge de calibre 12 mesurant 30,5 m ou moins de longueur.
4. Régler l'interrupteur à 20 A.

Le fusible du disjoncteur de la pompe a sauté.

1. L'accumulation de pression au niveau de la pompe est trop élevée.
2. La boîte d'engrenage ou les liaisons sont défectueuses.

1. Emporter l'appareil à un Centre de service autorisé.
2. Réparer ou remplacer les pièces défectueuses.

Bas rendement / déclenchement du disjoncteur.

1. Les fils de dérivation du moteur sont desserrés ou les balais sont usés.
2. Les raccords dans la boîte de commande de pression sont desserrés.
3. La pression d'arrêt d'urgence est incorrecte.
4. L'enveloppe de l'interrupteur du disjoncteur est absente ou sale.
5. La position du limiteur de courant est incorrecte.
6. Le bloc coulissant ou le prolongement du carter est obstrué.
7. Le filtre est obstrué.

1. Remplacer les balais et les fils, le cas échéant.
2. Serrer les raccords ou enlever les résidus qui se trouvent sur les connecteurs.
3. Régler la pression d'arrêt d'urgence à 182,6 +/- 6,9 bar.
4. Si l'interrupteur du disjoncteur est obstrué par des contaminants, le remplacer.
5. L'appareil doit être placé en mode 15 A seulement lorsque le disjoncteur se déclenche. Lorsque l'appareil est placé en ce mode, il fonctionne normalement au ralenti.
6. Nettoyer le bloc coulissant ou le prolongement du carter.
7. Nettoyer le filtre. Lorsqu'on pulvérise des matériaux plus lourds tels que des matériaux de remplissage ou du mastic, retirer le filtre.

# Contenido

<b>Especificaciones</b> .....	<b>22</b>
Modo de 20 amps .....	22
Modo de 15 amps .....	22
<b>Advertencias de seguridad</b> .....	<b>22</b>
Instrucciones para conectar a tierra .....	23
Selección de la extensión .....	24
<b>Disposición inicial</b> .....	<b>24</b>
Para purgar el atomizador .....	24
<b>Para hacer funcionar el atomizador</b> .....	<b>25</b>
Para determinar la presión .....	26
Para usar la pistola de atomización .....	26
Procedimiento para liberar la presión .....	26
Para cebar el atomizador .....	26
<b>Atomización</b> .....	<b>26</b>
Técnicas de atomización .....	26
Práctica .....	27
<b>Limpeza</b> .....	<b>27</b>
<b>Mantenimiento</b> .....	<b>28</b>
Mantenimiento diario .....	28
Mantenimiento adicional .....	28
<b>Detección de problemas</b> .....	<b>31</b>
<b>Listas de piezas</b> .....	<b>32</b>
Conjunto final .....	32
Conjunto del mecanismo de transmisión .....	34
Conjunto de la caja de control de presión .....	36
Conjunto de motor .....	38
Conjunto del transductor .....	39
Conjunto de la sección fluidos .....	40
Conjunto del filtro y la válvula .....	41
Conjunto de la válvula CEBAR/PULVERIZAR (PRIME/SPRAY) .....	42
Conjunto del carrito .....	42
Accesorios .....	43
Filtros para pistola .....	44
Diagrama de cableado del conjunto de la caja de control de presión .....	45
<b>Garantía limitada</b> .....	<b>48</b>

## Especificaciones

### Modelo EP2510 120V

#### Modo de 20 Amps

Litros por minuto (LPM) .....	5.68
Sección del fluido .....	empaquete estático de doble carrera con asientos de válvula reversible
Presión máxima .....	211 Kg/cm <sup>2</sup>
Motor eléctrico (universal) .....	1.5 HP
Amperaje .....	17 amps
Protección eléctrica .....	cortacircuito de 22 amps
Tamaño máximo de boquilla .....	1 Pistola: 0.09 mm; 2 Pistolas: 0.06 mm
Longitud de manguera .....	91.44 metros
Cable de extensión máximo .....	30.48 metros, calibre 12
Peso .....	50 Kg.
Dimensiones .....	84 cm L x 104 cm H x 66 cm W

#### Modo de 15 Amps

Litros por minuto (LPM) .....	3.0
Sección del fluido .....	empaquete estático de doble carrera con asientos de válvula reversible
Presión máxima .....	211 kg/cm <sup>2</sup>
Motor eléctrico (universal) .....	1.5 HP
Amperaje .....	15 amps
Protección eléctrica .....	cortacircuito de 20 amps
Tamaño máximo de boquilla .....	1 Pistola: 0.07 mm; 2 Pistolas: 0.05 mm
Longitud de manguera .....	60.96 metros
Cable de extensión máximo .....	30.5 metros, calibre 12
Peso .....	50 Kg.
Dimensiones .....	84 cm L x 104 cm H x 66 cm W

## Advertencias de Seguridad

La información que contiene este manual debe leerse y entenderse antes de usar el equipo. Cuando llegue a una parte que tenga uno de los símbolos siguientes, préstele particular atención y cerciórese de que se haga caso a la medida de protección.

### ⚠ ADVERTENCIA

Este símbolo indica un peligro potencial que podría causar lesiones serias o la pérdida de la vida. Habrá en seguida información importante de seguridad.

### ⚠ PRECAUCION

Este símbolo indica un peligro potencial para usted o para el equipo. Habrá en seguida información importante que le indicará cómo prevenirle daños al equipo o cómo evitar las causas de lesiones menores.

**NOTA:** Las notas le proporcionan información importante a la que debe dársele una atención especial.

### ⚠ ADVERTENCIA

**PELIGRO: LESIÓN POR INYECCIÓN** - La corriente de pintura de alta presión que produce este equipo puede perforar la piel y tejidos subyacentes, lo que conduciría a lesiones serias y una posible amputación.

**¡NO TRATE LAS LESIONES POR INYECCIÓN COMO SI FUERAN SIMPLES CORTADAS!** Una inyección puede conducir a una amputación. Consulte de inmediato a un médico.

#### PARA PREVENIR:

- El rango de operación máximo de la unidad es 3000 PSI de presión de fluidos.
- El valor máximo de operación de la pistola corresponde a una presión de fluido de 3000 lb/pie<sup>2</sup>.
- NO dirija NUNCA la punta de la pistola hacia alguna parte del cuerpo.
- NO permita NUNCA que alguna parte del cuerpo tenga contacto con la corriente del fluido. EVITE tener contacto con corrientes de fluido que salgan de fugas que haya en la manguera.
- NO ponga NUNCA la mano enfrente de la manguera. Los guantes no ofrecen ninguna protección contra lesiones por inyección.
- Bloquee SIEMPRE el gatillo de la pistola, apague la bomba de fluido y libere toda la presión antes de dar mantenimiento, limpiar el protector de la boquilla, cambiar la boquilla o dejar desatendido el equipo. La presión no se liberará al apagar el motor. Para liberar la presión debe girarse la perilla PRIME/SPRAY (cebar/atomizar) hasta la posición PRIME. Consulte el procedimiento para liberar la presión que se describe en este manual.
- Mantenga puesto SIEMPRE el protector de la boquilla mientras atomice. El protector de la boquilla ofrece cierta protección contra lesiones por inyección pero es principalmente un dispositivo de advertencia.
- Quite SIEMPRE la boquilla del atomizador antes de enjuagar o limpiar el sistema.
- Pueden desarrollarse fugas en la manguera de pintura por causa del desgaste, retorcimientos o el abuso. Una fuga es capaz de inyectar el material en la piel. Cada vez que use la manguera de pintura, inspecciónela antes.
- NO use nunca una pistola de atomización que no tenga un bloqueador o un protector de gatillo puesto y que funcione.
- Todos los accesorios deben tener una capacidad de 2750 lb/pulg<sup>2</sup> o mayor. Esto incluye las boquillas de atomizador, pistolas, extensiones y mangueras.
- Si se inyecta en la piel, obtenga inmediata atención médica.

#### NOTA PARA EL MÉDICO:

La inyección dentro de la piel es una lesión traumática. Es importante que la lesión se trate quirúrgicamente tan pronto como sea posible. NO retrase el tratamiento por investigar la toxicidad. La toxicidad es motivo de preocupación con algunos revestimientos que se inyectan directamente en la corriente sanguínea. Es recomendable consultar a un cirujano plástico o reconstructor de manos.

**PELIGRO: EXPLOSIÓN O INCENDIO - Los vapores de solventes y pintura pueden explotar o incendiarse, causando con esto daños en la propiedad y/o lesiones severas.**

#### PARA PREVENIR:

- Debe proveerse un escape y aire fresco para hacer que el aire que está dentro del área de atomización se mantenga libre de acumulaciones de vapores inflamables.
- Evite todas las fuentes de ignición como son las chispas electrostáticas, llamas abiertas, flamas de piloto, objetos calientes, cigarros, y chispas que se generan al conectar y desconectar las extensiones o de apagadores de luz que estén funcionando.
- Debe haber un equipo para extinguir incendios permanentemente y en buenas condiciones.
- Para evitar las emanaciones de solventes y pinturas, mantenga esta unidad en un lugar bien ventilado, alejado del área de pulverización. La bomba contienen piezas que forman arcos y producen chispas.
- Un flujo de material con una velocidad elevada que atraviese el equipo puede generar electricidad estática. El equipo que se utilice, así como los objetos que estén dentro y alrededor del área de atomización, deben conectarse a tierra de manera apropiada para prevenir las descargas eléctricas y las chispas.
- Use solamente mangueras para fluidos de alta presión, conductoras o conectadas a tierra, para aplicaciones sin aire. Asegúrese de que la pistola esté conectada a tierra de manera apropiada, mediante conexiones de manguera.
- El cable de alimentación debe enchufarse a un circuito aterrado.
- Tenga muchísimo cuidado al usar materiales cuyo punto de ignición sea inferior a 70° F (21° C). El punto de ignición es la temperatura a la cual pueden encenderse los vapores emanados por un fluido al exponerlos a llamas o chispas.
- Siga las advertencias y avisos de seguridad del fabricante de los materiales y solventes.
- Cuando enjuague el equipo utilice la presión más baja posible.

**PELIGRO: PELIGRO DE EXPLOSIÓN DEBIDO A MATERIALES INCOMPATIBLES - Podría causar daños en la propiedad o lesiones severas.**

#### PARA PREVENIR:

- No use blanqueadores.
- No use solventes que contengan hidrocarburos halogenados, tales como cloruro de metileno y 1,1,1-tricloroetano. Estos no son compatibles con el aluminio y pueden ocasionar explosiones. Si tiene dudas acerca de la compatibilidad de alguna sustancia con el aluminio, comuníquese con su proveedor de revestimientos.

**PELIGRO: VAPORES PELIGROSOS - Las pinturas, solventes, insecticidas y otros materiales pueden ser dañinos si se inhalan; pueden causar náuseas, desmayos o envenenamientos severos.**

#### PARA PREVENIR:

- Use una mascarilla respiratoria o careta siempre que exista la posibilidad de que se puedan inhalar vapores. Lea todas las instrucciones que vengan con la careta para estar seguro de que se tendrá la protección necesaria contra la inhalación de vapores dañinos.

**PELIGRO: GENERAL - Puede causar daños en la propiedad o lesiones severas.**

#### PARA PREVENIR:

- Lea todas las instrucciones y advertencias de seguridad antes de hacer funcionar cualquier equipo.
- Observe todos los códigos locales, estatales y nacionales apropiados que rigen las medidas de ventilación, prevención de incendios y operación.
- Los Estándares de Seguridad del Gobierno de los Estados Unidos se han adoptado bajo el Acta de Seguridad y Salud Ocupacionales (OSHA por sus siglas en inglés). Deben consultarse estos estándares, particularmente la parte 1910 de los Estándares Generales y la parte 1926 de los Estándares de la Construcción.
- La bomba de alta presión sin aire está diseñada para usarse solamente con piezas autorizadas por el fabricante. Cuando se use esta bomba con piezas que no cumplan con las especificaciones mínimas ni con los dispositivos de seguridad del fabricante de la bomba, el usuario asumirá todos los riesgos y responsabilidades legales.
- Antes de usarla cada vez, revise todas las mangueras para ver que no tengan cortadas, fugas, una cubierta desgastada por abrasión o con abolladuras, así como uniones dañadas o que se hayan movido. Si existiera cualquiera de estas condiciones, reemplace la manguera inmediatamente. No repare nunca una manguera de pintura. Reemplácela con otra manguera conectada a tierra.
- Todas las mangueras, soportes giratorios, pistolas y accesorios que se usen con esta unidad deben tener una capacidad de presión de 2750 lb/pulg2 o mayor.
- No atomice en días con viento.
- Use gafas protectoras.

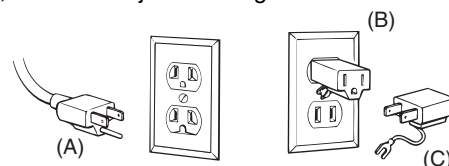
### ⚠ PRECAUCIÓN

Use solamente extensiones de 3 alambres que tengan una clavija de 3 patas con conexión a tierra y un enchufe de tres ranuras que acepte la clavija del aparato. Asegúrese de la extensión esté en buenas condiciones. Cuando use una extensión, asegúrese de utilizar una que sea lo suficientemente resistente como para transportar la corriente que emplee su producto. Una extensión de una capacidad menor ocasionará una caída de voltaje en la línea. Esto traerá como consecuencia que se pierda energía y que se sobrecaliente. Se recomienda una extensión de calibre 14 ó 12.

### Instrucciones para conectar a tierra

Este producto se debe conectar a tierra. En caso de que ocurra un corto circuito, la conexión a tierra reduce el riesgo de choque eléctrico por proporcionar un alambre de escape para la corriente eléctrica. Este producto viene equipado con una extensión que tiene un alambre de conexión a tierra y una clavija apropiada de conexión a tierra. La clavija se debe enchufar en una toma de corriente que esté debidamente instalada y conectada a tierra, de acuerdo con todos los códigos y normas locales.

Este producto se debe usar en un circuito de 120 voltios nominales y tiene una clavija de conexión a tierra que se parece a la que se ilustra en el dibujo A. Si no se contara con una toma de corriente debidamente conectada a tierra, se puede usar un adaptador temporal que se parezca al ilustrado en los dibujos B y C. El adaptador temporal se debe usar solamente hasta que un electricista calificado pueda instalar una toma de corriente debidamente conectada a tierra. La orejeta rígida de color verde o el alambre de conexión a tierra que se extiende desde el adaptador se debe conectar a una conexión a tierra permanente como una cubierta de caja de la toma de corriente que esté debidamente conectada a tierra. Siempre que se use el adaptador, se le debe fijar en su lugar con un tornillo de metal.



## ⚠ ADVERTENCIA

Una instalación inapropiada de la clavija de conexión a tierra puede resultar un riesgo de choque eléctrico.

Si es necesario reparar o reemplazar la extensión o la clavija, no conecte el alambre verde de conexión a tierra en ninguno de los terminales de pata plana. El alambre con aislador que tiene una superficie exterior verde con franjas amarillas o sin ellas es el alambre de conexión a tierra que debe conectarse en el terminal de conexión a tierra.

Verifique con un electricista calificado o técnico de servicio si no ha entendido por completo las instrucciones de conexión a tierra, o si tiene dudas sobre si el producto quedó debidamente conectado a tierra. No modifique la clavija que se proporciona. Si la clavija no cabe en la toma de corriente, pida a un electricista calificado que instale la toma de corriente apropiada.

## Selección de la extensión

Si se usa una extensión, asegúrese de que sea del tipo de 3 conductores con conectores de la Asociación de Fabricantes de Productos Electrotécnicos (NEMA por sus siglas en inglés) para que haya un circuito de conexión a tierra continuo, entre la herramienta y el receptáculo del circuito de energía.

Además, asegúrese de que el tamaño del conductor sea lo suficientemente grande como para prevenir una caída excesiva del voltaje, que causaría que se perdiera energía y que posiblemente se dañara el motor de la unidad. A continuación aparece una tabla de tamaños de extensión recomendados.

Para potencias nominales en amperios que estén entre las dadas, use la extensión que se recomiende para la potencia en amperios inmediata superior.

Si una extensión se va a usar en el exterior deberá marcarse con el sufijo W-A en seguida de la designación del tipo de extensión. Por ejemplo, SJTW-A para indicar que es aceptable para usarse en el exterior.

		Longitud de la extensión					
		25 pies	50 pies	75 pies	100 pies	125 pies	150 pies
Potencia nominal en amperios	De 0 a 5	18	18	18	18	18	18
	6	18	18	18	18	18	16
	7	18	18	18	18	16	16
	8	18	18	18	16	16	16
	9	18	18	18	16	16	14
	10	18	18	18	16	14	14
	11	16	16	16	16	14	14
	12	16	16	16	16	14	14
	13	16	16	16	14	14	14
	14	14	14	14	14	14	12
	15	14	14	14	14	14	12
	16	14	14	14	14	12	12
	17	14	14	14	14	12	12
	18	14	14	14	14	12	12
	19	12	12	12	12	12	12
	20	12	12	12	12	12	12

## Disposición inicial

La unidad de la bomba de pistón viene completamente ensamblada al entregarse. Siga estos sencillos pasos para prepararla.

1. Jale la manija hasta que el botón se bloquee instantáneamente en su lugar.

## Para purgar el atomizador

Esta unidad se embarca con un fluido de prueba dentro de la sección del fluido para prevenir la corrosión que pudiera haber durante el embarque y almacenamiento.

Si va a atomizar con pintura de látex, el sistema se debe purgar para sacar el fluido de prueba y después limpiarse a fondo.

Si va a atomizar con pintura a base de solvente, todo lo que necesita es purgar el sistema para extraer el fluido. Una limpieza a fondo no es necesaria.

## ⚠ PRECAUCION

Mantenga la pistola de atomización bloqueada y en la posición OFF durante estos pasos.

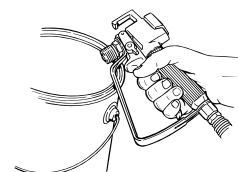
### Para purgar el sistema de pintura de látex

1. Coloque un recipiente de agua jabonosa debajo del tubo de succión de pintura. Tenga listo un recipiente para desperdicios para recolectar el fluido purgado.
2. Desprenda el tubo de retorno de la sección del fluido y colóquelo en el recipiente para desperdicios.

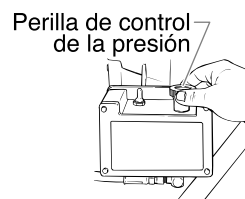


## ⚠ ADVERTENCIA

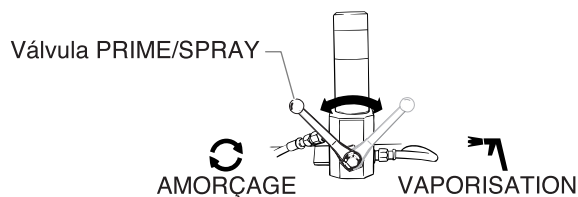
Si se usa un recipiente de metal, será necesario conectar a tierra la pistola de atomización y el recipiente. Para hacer esto, mantenga apoyada una parte de metal de la pistola contra la orilla del recipiente de metal. El no hacerlo podría dar lugar a una descarga de electricidad estática, que podría ocasionar un incendio.



3. Gire la perilla de control de la presión en dirección opuesta a las manecillas del reloj hasta la posición más baja.



4. Fije la válvula PRIME/SPRAY en la posición PRIME.



5. Gire el interruptor ON/OFF (encendido/apagado) hasta la posición ON (encendido).
6. Gire lentamente la perilla de control de la presión en dirección de las manecillas del reloj hasta que el fluido empiece a salir por el tubo de retorno. Use la menor cantidad de presión que sea necesaria para que mantenga el flujo de fluido. Cuando se haya extraído todo el fluido de prueba del sistema, fluirá el agua jabonosa a través del tubo de retorno.
7. Gire la perilla de control de la presión hasta la posición más baja y reemplace el recipiente de agua jabonosa por un recipiente de agua limpia.



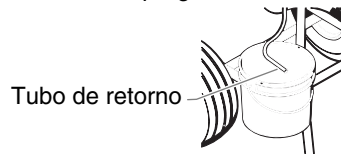
8. Gire lentamente la perilla de control de la presión en dirección de las manecillas del reloj hasta que el agua que corra a través del tubo de retorno esté limpia.
9. Gire la perilla de control de la presión en dirección opuesta a las manecillas del reloj hasta la posición más baja. Reemplace el recipiente de agua limpia por un recipiente de pintura de látex.
10. Gire lentamente la perilla de control de la presión en dirección de las manecillas del reloj hasta que la pintura salga por el tubo de retorno.
11. Coloque el tubo de retorno en la posición para que funcione, por encima del recipiente de pintura. Mantenga la pintura circulando a través del sistema hasta que la pintura que salga por el tubo de retorno no tenga burbujas de aire.
12. Gire la perilla de control de la presión en dirección opuesta a las manecillas del reloj hasta la posición más baja. La unidad ha quedado lista para usarse.

## ⚠ PRECAUCION

Mantenga la pistola de atomización bloqueada y en la posición OFF durante estos pasos.

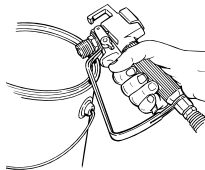
### Para purgar el sistema de pintura a base de solvente

1. Coloque un recipiente de agua jabonosa debajo del tubo de succión de pintura. Tenga listo un recipiente para desperdicios para recolectar el fluido purgado.
2. Desprenda el tubo de retorno de la sección del fluido y asegúrelo en el recipiente para desperdicios para que no se suelte.

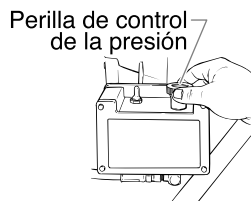


## ⚠ ADVERTENCIA

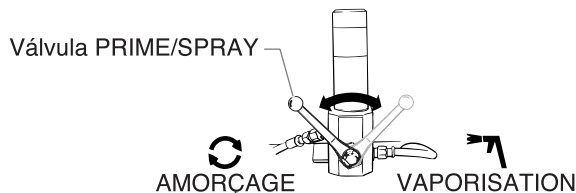
Si se usa un recipiente de metal, será necesario conectar a tierra la pistola de atomización y el recipiente. Para hacer esto, mantenga apoyada una parte de metal de la pistola contra la orilla del recipiente de metal. El no hacerlo podría dar lugar a una descarga de electricidad estática, que podría ocasionar un incendio.



3. Gire la perilla de control de la presión en dirección opuesta a las manecillas del reloj hasta la posición más baja.



4. Fije la válvula PRIME/SPRAY en la posición PRIME.



5. Gire el interruptor ON/OFF hasta la posición ON.
6. Gire lentamente la perilla de control de la presión en dirección de las manecillas del reloj hasta que el fluido empiece a salir por el tubo de retorno. Use la menor cantidad de presión que sea necesaria para que se mantenga el flujo de fluido. Cuando se haya extraído todo el fluido de prueba del sistema, fluirá pintura a través del tubo de retorno.
7. Gire la perilla de control de la presión hasta la posición más baja.

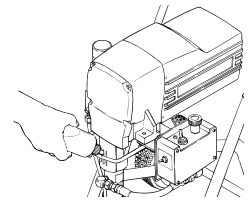
8. Coloque el tubo de retorno en la posición para que funcione, por encima del recipiente de pintura. Mantenga la pintura circulando a través del sistema hasta que la pintura que salga por el tubo de retorno no tenga burbujas de aire.
9. La unidad ha quedado lista para usarse.

## Para hacer funcionar el atomizador

Todos los días, antes de empezar a atomizar, inyecte lubricante para la empaquetadura superior (No. de pieza 9992504) en las ranuras de la caja superior de la bomba.

**NOTA: No aplique demasiado para que no se derrame ni gotee dentro de la pintura.**

El lubricante mantiene flexibles los sellos del pistón, minimizando con esto la desviación de pintura y el desgaste del pistón. Si la unidad se utiliza durante varias horas al día, lubríquela aproximadamente cada 4 horas.



En el caso de una unidad nueva, siga los pasos para purgar anteriores. En el de unidades que ya estén en servicio, extraiga el agua o solvente del sistema como se describe anteriormente, dependiendo del tipo de pintura que se use.

Después de que la bomba esté lista para pintar, probablemente sea necesario purgar las mangueras para extraerles el agua o solvente.

1. Cerciórese de que el interruptor limitador de corriente esté en la posición deseada.
2. Gire la perilla de control de la presión en dirección opuesta a las manecillas del reloj hasta la posición más baja.
3. Fije la válvula PRIME/SPRAY en la posición SPRAY.
4. Asegúrese de que la pistola de atomización no tenga instalada una boquilla.
5. Gire el interruptor de seguridad de la pistola para desbloquear la pistola.
6. Gire la perilla de control de la presión en dirección de las manecillas del reloj hasta el punto que está en medio para aumentar la presión.
7. Dispare la pistola dentro de un recipiente para desperdicios hasta extraer el solvente o agua de la manguera.

## ⚠ ADVERTENCIA

Si se usa un recipiente de metal, será necesario conectar a tierra la pistola de atomización y el recipiente. Para hacer esto, mantenga apoyada una parte de metal de la pistola contra la orilla del recipiente de metal. El no hacerlo podría dar lugar a una descarga de electricidad estática, que podría ocasionar un incendio.

8. Gire la perilla de control de la presión en dirección opuesta a las manecillas del reloj hasta la posición más baja.
9. Gire la perilla PRIME/SPRAY hasta la posición PRIME.
10. Dispare la pistola para asegurarse de que la manguera quede sin presión alguna.
11. Gire el interruptor de seguridad de la pistola para bloquear la pistola.
12. Instale la boquilla de atomización que sea apropiada para el material que se vaya a atomizar. Mientras más espesa es la pintura, más grande será la boquilla de atomización que se requiera.
13. Fije la válvula PRIME/SPRAY en la posición SPRAY.
14. Gire la perilla de control de la presión en dirección de las manecillas del reloj hasta la posición más alta.
15. Gire el interruptor de seguridad de la pistola para desbloquear la pistola.
16. Dispare la pistola para probar el patrón de atomización. Atomice contra una pieza de cartón de desecho u otra superficie de prueba.
17. Ajuste la unidad a la posición de presión apropiada.

## Para determinar la presión

La determinación de la mejor posición de presión variará dependiendo del tipo de pintura y del tamaño y tipo de boquilla que se utilice. Mientras más espesa sea la pintura, más alta necesitará ser la presión.

Para encontrar la posición de presión óptima:

1. Gire la perilla de control de la presión en dirección de las manecillas del reloj hasta la posición más alta.
2. Dispare la pistola y gire lentamente la perilla de control de la presión en dirección opuesta a las manecillas del reloj. Deténgala cuando llegue a la presión más baja que se necesite para mantener el patrón y flujo de atomización deseados.

**NOTA:** Hasta que no esté satisfecho con el patrón de atomización, atomice sobre una superficie de prueba en lugar de hacerlo sobre la superficie que se va a pintar.

## Para usar la pistola de atomización

Siga las instrucciones que vienen con la pistola de atomización.

### Procedimiento para liberar la presión

1. Gire el interruptor de seguridad de la pistola para cerrar la pistola.
2. Gire el interruptor ON/OFF del motor hasta la posición OFF.
3. Ponga el conducto de retorno dentro de un recipiente y sujételo firmemente en su lugar.
4. Gire la válvula PRIME/SPRAY hasta la posición PRIME. La presión se liberará y el fluido se descargará a través del tubo de retorno.
5. Libere la presión que quede en la manguera girando el interruptor de seguridad de la pistola para desbloquear la pistola y disparando la pistola dentro del recipiente.

### ⚠ ADVERTENCIA

**Conecte a tierra siempre el recipiente, incluyendo el manubrio. El no hacerlo podría dar lugar a una descarga de electricidad estática, que podría ocasionar una explosión o un incendio.**

6. Gire el interruptor de seguridad de la pistola para cerrar la pistola.

**NOTA:** Deje la válvula PRIME/SPRAY en la posición PRIME hasta que esté listo para hacer funcionar el atomizador otra vez.

## Para cebar el atomizador

1. Gire la válvula PRIME/SPRAY hasta la posición PRIME.
2. Ponga el tubo de succión dentro del recipiente de pintura.
3. Gire la perilla de control de la presión en dirección opuesta a las manecillas del reloj hasta la posición más baja.
4. Gire el interruptor ON/OFF hasta la posición ON.
5. Gire lentamente la perilla de control de la presión en dirección de las manecillas del reloj hasta que la pintura empiece a fluir a través del tubo de retorno.
6. Gire la perilla de control de la presión en dirección opuesta a las manecillas del reloj hasta la posición más baja.
7. Fije la válvula PRIME/SPRAY en la posición SPRAY.
8. Gire el interruptor de seguridad de la pistola para desbloquear la pistola.

### ⚠ ADVERTENCIA

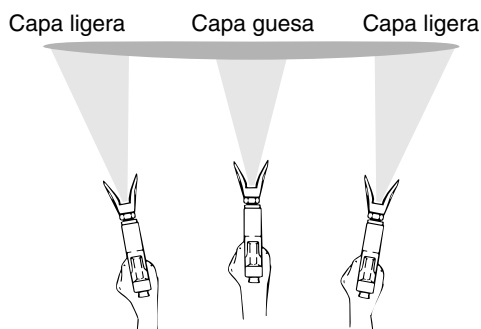
**Si se usa un recipiente de metal, será necesario conectar a tierra la pistola de atomización y el recipiente. Para hacer esto, mantenga apoyada una parte de metal de la pistola contra la orilla del recipiente de metal. El no hacerlo podría dar lugar a una descarga de electricidad estática, que podría ocasionar un incendio.**

9. Dispare la pistola dentro de un recipiente para desperdicios. Manténgala abierta mientras gira lentamente la perilla de control de la presión en dirección de las manecillas del reloj hasta que se atomice pintura de la boquilla. Siga disparando la pistola hasta que se saque todo el aire del sistema y la pintura fluya libremente.
10. Suelte el gatillo y gire el interruptor de seguridad de la pistola para cerrar la pistola.
11. Revise todas las conexiones del fluido para asegurarse de que no haya fugas. Si se encuentran algunas, siga el procedimiento para liberar la presión antes de apretar la conexión.

## Atomización

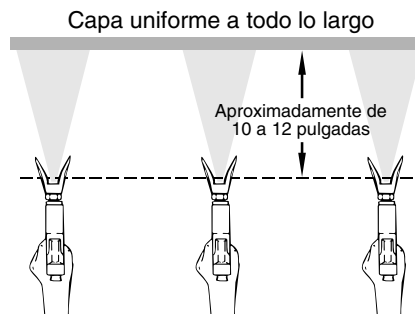
### Técnicas de atomización

La clave de un buen trabajo de pintura es lograr un recubrimiento uniforme en toda la superficie. Esto se obtiene por medio de descargas uniformes. Mantenga el brazo moviéndose con una velocidad constante y la pistola de atomización a una distancia constante de la superficie. La mejor distancia para atomizar es de 10 a 12 pulgadas entre la boquilla de atomización y la superficie.



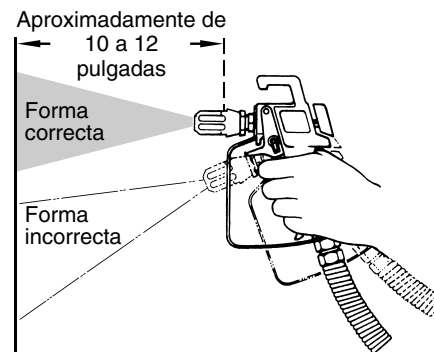
No flexione la muñeca mientras atomice.

Mantenga la pistola de atomización en ángulo recto con la superficie. Es decir, moviendo el brazo completo de un lado para otro en lugar de flexionar la muñeca.

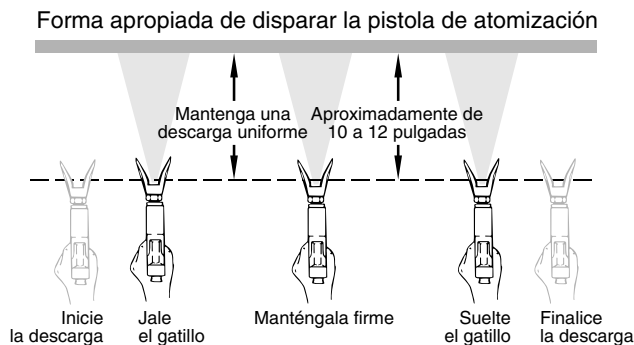


Mantenga una descarga que sea suave y a una velocidad uniforme.

Mantenga la pistola de atomización perpendicular a la superficie, pues de lo contrario un extremo del patrón quedará más grueso que el otro.



La pistola de atomización se debe disparar encendiéndola y apagándola cada vez que se haga una descarga. Esto ahorrará pintura y evitará que la pintura se acumule al final de la descarga. No dispare la pistola a la mitad de una descarga. Esto traería como consecuencia que la atomización no fuera uniforme y que el recubrimiento tuviera salpicaduras.



Traslape la pintura de las descargas aproximadamente un 30%. Esto asegurará que el recubrimiento sea uniforme.

Cuando deje de pintar, bloquee el interruptor de seguridad de la pistola, gire la perilla de control de la presión en dirección opuesta a las manecillas del reloj hasta la posición más baja y fije la válvula PRIME/SPRAY en la posición PRIME. Gire el interruptor ON/OFF hasta la posición OFF y desenchufe el atomizador.

## Práctica

1. Asegúrese de que la manguera de pintura no esté retorcida ni cerca de objetos con orillas cortantes filosas.
2. Gire la perilla de control de la presión en dirección opuesta a las manecillas del reloj hasta su posición más baja.
3. Gire la válvula PRIME/SPRAY hasta la posición SPRAY.
4. Gire la perilla de control de la presión en dirección de las manecillas del reloj hasta su posición más alta. La rigidez de la manguera de pintura debe aumentar a medida que la pintura empieza a fluir a través de ella.
5. Desbloquee el interruptor de seguridad de la pistola dándole vuelta al interruptor hasta que quede paralelo al manubrio.
6. Dispare la pistola de atomización para dejar escapar aire de la manguera.
7. Cuando la pintura llegue a la boquilla del atomizador, atomice un área de prueba para comprobar el patrón de atomización.
8. Use la posición de presión más baja que sea necesaria para obtener un buen patrón de atomización. Si se fija una presión demasiado alta, el patrón de atomización será muy ligero. Si se fija una presión demasiado baja, aparecerá un patrón de pintura que se desvanece gradualmente o la pintura salpicará como gotas grandes en lugar de una atomización fina.

La mayoría de las pinturas de látex y tintes requieren una presión muy alta, motivo por el cual el atomizador está diseñado para poder trabajar hasta con 3000 lb/pulg<sup>2</sup> cuando sea necesario.



Patrón de desvanecimiento de pintura

**NOTA:** Cuando atomice relleno para bloques, mástiques o recubrimientos de alto contenido de sólidos, no ponga el filtro de la pistola ni pantallas de filtro de alta presión.

## Limpieza

### ⚠️ ADVERTENCIA

Instrucciones especiales de limpieza para usarse con solventes inflamables:

- Enjuague siempre la pistola atomizadora por lo menos a un largo de manguera de distancia de la bomba atomizadora.
- Si está colectando solventes enjuagados en un recipiente metálico de 1 galón (3.875 lts), colóquelos en un recipiente vacío de 5 galones (19.375 lts), luego enjuague los solventes.
- El área debe estar libre de vapores inflamables.
- Siga todas las instrucciones de limpieza.

### ⚠️ PRECAUCIÓN

La bomba, la manguera y la pistola se deben limpiar perfectamente a diario después de usarse. El no hacerlo permitirá que el material se endurezca, lo que afectará seriamente el funcionamiento de la unidad.

La pintura se debe extraer a diario de la unidad después de usarse utilizando un solvente que sea compatible con el material que se haya aplicado, y después la unidad debe volverse a enjuagar con un solvente derivado del petróleo.

### ⚠️ ADVERTENCIA

Cuando se limpie la bomba, la manguera y la pistola con un solvente derivado del petróleo o algún otro, atomice siempre a la presión mínima, sin la boquilla puesta. Una acumulación de electricidad estática podría ocasionar un incendio o explosión al haber presentes vapores inflamables.

### ⚠️ ADVERTENCIA

Asegúrese de seguir el procedimiento para liberar la presión cuando apague la unidad por cualquier motivo, incluyendo cuando de mantenimiento a alguna pieza del sistema de atomización o la ajuste, le cambie o limpie las boquillas, o la prepare para limpiarla.

1. Gire el interruptor ON/OFF hasta la posición OFF.
2. Libere la presión que permanece en la bomba girando la perilla PRIME/SPRAY hasta la posición PRIME.
3. Quite la boquilla de la pistola y límpiela utilizando un solvente apropiado.
4. Quite el recipiente de pintura que está debajo del tubo de succión.
5. Ponga un recipiente con solvente apropiado debajo del tubo de succión.
6. Gire la perilla de control de la presión en dirección opuesta a las manecillas del reloj hasta la posición más baja.
7. Gire el interruptor ON/OFF hasta la posición ON.
8. Dispare la pistola de atomización dentro de un recipiente para desperdicios para limpiar la bomba, la manguera y la pistola.
9. Gire el interruptor ON/OFF hasta la posición OFF.
10. Siga el procedimiento para liberar la presión que se describe en este manual.
11. Desenchufe la unidad y guárdela en un lugar limpio y seco.

**NOTA:** Para almacenar la unidad por un tiempo prolongado, asegúrese de enjuagarla con un aceite apropiado antes de guardarla.

# Mantenimiento

## Mantenimiento diario

Se requiere que el operador de mantenimiento rutinario lleve a cabo tres procedimientos diarios en la unidad:

1. Lubricación de las empaquetaduras superiores.
2. Limpieza de la pantalla del filtro de alta presión.
3. Limpieza de la pantalla de entrada.

## Lubricación de las empaquetaduras superiores

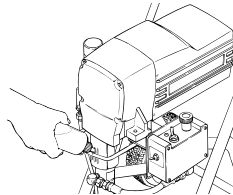
1. Limpie la pintura que se haya escurrido de las empaquetaduras superiores hacia dentro de la caja de la extensión.

**NOTA:** Probablemente necesita aflojar los tornillos de la cubierta del frente y quitar el protector para los dedos para limpiar a fondo la caja de la extensión. La pintura en exceso que haya en la caja de la extensión afectará adversamente el funcionamiento de la unidad.

### ⚠ ADVERTENCIA

No ponga a funcionar la bomba sin que estén puestos el protector para los dedos y la cubierta del frente. Las piezas que se mueven representan un riesgo porque pueden triturar los tejidos.

2. Inyecte lubricante para la caja superior (No. de pieza 9992504) en la ranuras de la caja superior de la bomba. Si la unidad se utiliza durante varias horas al día, lubríquela aproximadamente cada 4 horas.



**NOTA:** No aplique demasiado lubricante para que no se derrame ni gotee dentro de la pintura.

## Limpieza de la pantalla del filtro de alta presión

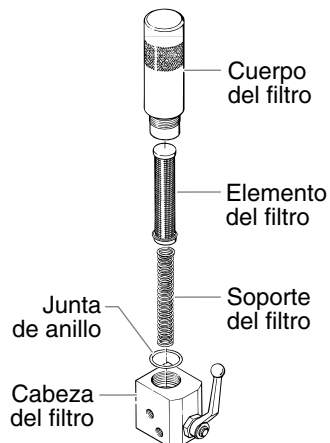
El filtro de alta presión se taponará y se tendrá que limpiar cuando sea necesario.

1. Gire el cuerpo del filtro en dirección opuesta a las manecillas del reloj para quitarlo de la cabeza del filtro.
2. Saque el elemento del filtro y lávelo perfectamente con el solvente apropiado. Restriegue el filtro con un cepillo de cerdas de fibra si es necesario.

### ⚠ PRECAUCION

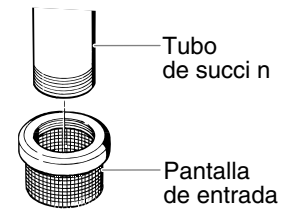
No use un cepillo de alambre. El elemento del filtro se podría dañar.

**NOTA:** El filtro se debe limpiar cuando menos una vez al día. Si utiliza productos de relleno para bloques, mástiques o materiales similares, no ponga el filtro.



## Limpieza de la pantalla de entrada

1. La pantalla de entrada se taponará y se tendrá que limpiar por lo menos una vez al día.
2. Gire la pantalla de entrada en dirección opuesta a las manecillas del reloj para quitarla de la parte inferior del tubo de succión.
3. Límpiela perfectamente con el solvente apropiado.



## Mantenimiento adicional

### Reemplazo de los empaques de la sección del fluido

Es normal que una pequeña cantidad de pintura se fugue del pistón y salga por las ranuras del alojamiento superior del pistón. Si es excesiva, o si la pintura se derrama, será necesario cambiar los empaques del pistón.

### ⚠ ADVERTENCIA

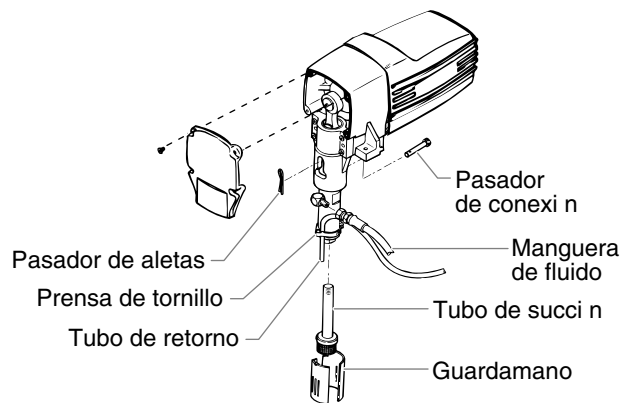
Siempre siga el procedimiento de alivio de presión descrito en este manual antes de comenzar el proceso de solución de problemas, dar servicio o limpiar la unidad.

### ⚠ ADVERTENCIA

**PELIGRO DE ELECTROCHOQUE.** Asegúrese de que la unidad esté apagada y desenchufada antes de desarmarla.

### Desmontaje de la sección del fluido

1. Afloje y retire el conjunto del tubo de succión, girando en sentido antihorario.
2. Retire la cubierta.
3. Retire el guardamano.
4. Afloje la prensa de tornillo y retire el tubo de retorno.
5. Retire el pasador de aletas del pasador de conexión.
6. Retire el pasador de conexión empujándolo a través del tren desplazable y de la barra del pistón.
7. Afloje y retire la manguera del fluido.
8. Afloje la tuerca de seguridad grande del extremo superior de la sección del fluido.
9. Desatornille todo el conjunto de la sección del fluido girándolo en sentido antihorario.



### ⚠ PRECAUCION

No opere el motor sin el conjunto de la sección del fluido.

## Desmontaje del conjunto de la barra del pistón

Consulte la lista de piezas de repuesto del conjunto de la sección del fluido.

1. Coloque el alojamiento de la válvula de entrada (26) en una prensa de tornillo de manera que la sección del fluido esté en posición vertical. Apriete la prensa de tornillo.
2. Coloque una llave de tuercas grande ajustable en las partes planas para tuerca del cilindro (8). Gire el cilindro en sentido antihorario hasta que lo pueda retirar del alojamiento de la válvula de entrada.
3. Retire el alojamiento de la válvula de entrada de la prensa de tornillo. Saque la jaula de la bola de entrada (22) y el pasador limitador de la bola (21), golpeando el alojamiento suavemente.

**NOTA: Si tiene dificultad en desarmar algunas de las piezas, remójelas en el disolvente apropiado hasta que se afloje la pintura.**

4. Retire el asiento de carburo de la válvula de entrada (24). Inspeccione la bola de la válvula de entrada y el asiento de la válvula de entrada para determinar si están dañados. Si el asiento está desgastado o dañado, se puede voltear al lado que no se ha usado. Si voltea o reemplaza el asiento, tiene que reemplazar la bola.

**NOTA: Si el asiento de la válvula de carburo requiere reemplazo, use el juego de válvula, P/N 0294979.**

5. Retire la junta tórica de la válvula de entrada (25) del alojamiento de la válvula de entrada.
6. Coloque las partes planas para tuercas del cilindro (8) en una prensa de tornillo y apriete la prensa.

### PRECAUCION

No sobreapriete ya que podría dañar el cilindro.

7. Retire la tuerca de presión (1).

### PRECAUCION

Coloque una mano debajo de la barra del pistón (16). Podría dañarse el pistón si se cae. Los empaques inferiores también podrían caerse.

8. Golpee suavemente con un mazo el conjunto del pistón hasta que salga.

## Limpieza de la barra del pistón

1. Retire el cilindro de la prensa de tornillo.
2. Coloque el conjunto de la barra del pistón en la prensa de tornillo y apriete.

### PRECAUCION

La barra del pistón podría dañarse si usa una prensa de tornillo con quijadas de acero. Use una prensa de tornillo con quijadas de aluminio o tome precauciones para proteger la barra del pistón.

3. Quite la tuerca de retención (20).
4. Retire el asiento de la válvula de salida (19), la bola de salida (18), la arandela hermética (27) y la jaula de la bola de salida (17). Inspeccione la bola de la válvula de salida y el asiento de la válvula de salida para determinar si están dañados. Si el asiento está desgastado o dañado, se puede voltear al lado que no se ha usado. Si voltea o reemplaza el asiento, tiene que reemplazar la bola.
5. Retire los empaques inferiores (12, 13), el anillo de presión (11), la arandela ondulada (10) y la junta tórica (9) del cilindro (8).
6. Remoje los empaques nuevos de cuero en aceite de linaza durante 5 minutos. No los remoje demasiado.
7. Limpie las partes desarmadas en un disolvente apropiado.

8. Instale la jaula de la bola de salida (17), la bola de salida (18), la arandela hermética (27) y el asiento de la válvula de salida (19) en la barra del pistón, en ese orden.
9. Aplique compuesto para bloqueo de roscas que se pueda eliminar, en las roscas de la tuerca de retención (20) y atornille la tuerca de retención en la barra del pistón. Apriete la tuerca de retención a un par de torsión de 24 pies/libra. Retire el conjunto del pistón de la prensa de tornillo.

## Reemplazo de los empaques

1. Coloque las partes planas para tuercas del cilindro (8) en la prensa de tornillo y apriete la prensa.
2. Inserte el resorte ondulado (6), el anillo de presión (5), los empaques superiores (3, 4) y el adaptador (2) en el cilindro (8).

**NOTA: Asegúrese de alternar los empaques de cuero y UHMWPE como se muestra en la ilustración.**

3. Atornille un poco la tuerca de presión (1) en el cilindro.
4. Retire el cilindro de la prensa de tornillo, gírelo y reemplácelo en la prensa de tornillo de manera que la parte inferior del cilindro esté boca arriba.
5. Introduzca el resorte ondulado (10), el anillo de presión inferior (11), los empaques inferiores (12, 13), el soporte del anillo inferior (14) y la junta tórica (15) en el cilindro.

## Inserción de la barra del pistón

1. Inserte la barra del pistón en el cilindro.
2. Introduzca la junta tórica (25) en el alojamiento de la válvula de entrada (26).
3. Introduzca el asiento de la bola de entrada (24) y la bola de entrada (23) en el alojamiento de la válvula de entrada.
4. Introduzca el pasador limitador (21) en la jaula de la bola de entrada (22) y colóquelos en el alojamiento de la válvula de entrada (26).
5. Coloque la junta tórica (9) en el alojamiento de la válvula de entrada.
6. Rosque el conjunto del alojamiento de la válvula de entrada en la parte inferior del conjunto del cilindro. Apriete a una torsión de 22.9 m/kg.
7. Instale la tuerca de seguridad grande (7) en el cilindro y gírela hasta que llegue hasta el final de la sección roscada del cilindro.

## Acoplamiento de la sección del fluido

1. Retire el conjunto de la sección del fluido de la prensa del tornillo. Aplique compuesto agarrotador en las roscas del cilindro superior y enrósquelo en el alojamiento para la bomba. La barra del pistón (16) se alineará automáticamente con el tren desplazable.
2. Gire la sección del fluido de manera que el agujero del tren desplazable esté alineado con el agujero del conjunto del pistón.
3. Pase el pasador de conexión por los agujeros del tren desplazable y del conjunto del pistón.
4. Reemplace el pasador de aletas para asegurar el pasador de conexión. Consulte la ilustración de la página anterior.
5. Atornille la sección del fluido en el alojamiento de la bomba, hasta donde se pueda. Luego, desatornille ligeramente de manera que el recodo se alinee con la manguera del fluido.
6. Apriete firmemente la tuerca de seguridad (7) girando en sentido horario hasta que quede bien fija contra el alojamiento del mecanismo de transmisión. Apriete a un par de torsión de 45.7 m/kg.

## Reemplazo de las escobillas del motor

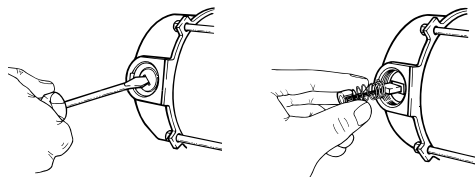
Inspeccione las escobillas periódicamente en busca de desgaste. Si una de las escobillas mide menos de 1.27 cm, está desgastada o despostillada, entonces reemplace las dos escobillas del motor. Se recomienda reemplazar las escobillas cuando se reemplacen los empaques.

### **ADVERTENCIA**

**SIEMPRE siga el PROCEDIMIENTO DE ALIVIO DE PRESIÓN descrito en este manual antes de comenzar el proceso de solución de problemas, dar servicio a la unidad o limpiarla.**

### Desmontaje del cable del motor

1. Desconecte el cable de alimentación del receptáculo eléctrico.
2. Afloje los 4 tornillos Allen con cabeza hueca hexagonal de los lados de la tapa del motor y retire la tapa.
3. Desatornille y retire las tapitas de las escobillas que las sostienen en su lugar.
4. Saque las escobillas, apalancando cuidadosamente con un desarmador.
5. Instale las escobillas nuevas, P/N 07101.

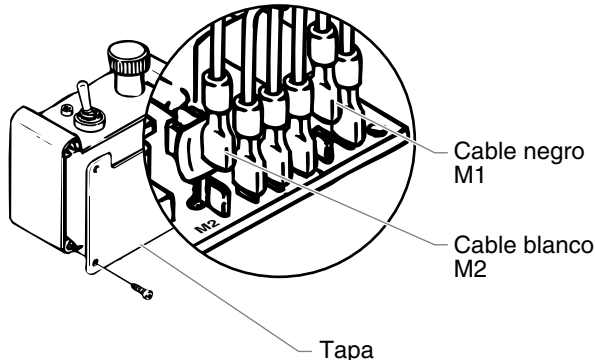


6. Instale las tapitas de las escobillas. Si las tapitas de las escobillas están dañadas, reemplácelas con P/N 07103.
7. Coloque la tapa del motor y los tornillos Allen de cabeza hueca hexagonal.

## Reemplazo del inducido

### Desmontaje del cable del motor

1. Desconecte la unidad de la fuente de alimentación y siga el procedimiento de alivio de presión descrito en este manual.
2. Retire la tapa del motor, desatornillando los cuatro tornillos huecos de cabeza hexagonal que la sujetan a la placa del adaptador.
3. Retire la tapa de la caja de control de presión, desatornillando los cuatro tornillos negros con cabeza Phillips.
4. Desenchufe el conector del cable negro del motor de M1 ubicado en el borde delantero del tablero de circuitos. Luego desenchufe el conector del cable blanco del motor de M2. Consulte el diagrama de cableado en la sección de listas de piezas de este manual.

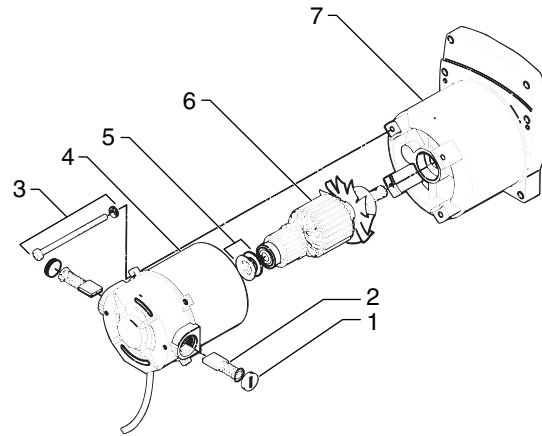


**NOTA: Preste atención a la longitud de la camisa del cable que se extiende hacia la caja y el cableado de los dos alambres al tablero de circuitos. Necesitará esta información cuando vuelva a instalar el cable del motor.**

5. Retire el anclaje del cable del motor que se encuentra en la placa de montaje de la caja de control de presión. Saque el cable del motor cuidadosamente a través del agujero del anclaje.

## Instalación del inducido nuevo

Consulte la ilustración que aparece abajo durante los siguientes pasos.



1. Desatornille las tapitas de las escobillas del motor (1) y retire las escobillas (2).
2. Use una marca de alineamiento en el casquillo del motor y la caja de engranajes para que el motor quede en la posición correcta cuando se arme de nuevo.
3. Quite los 4 tornillos largos con cabeza Phillips (3) que se ubican a lo largo del cuerpo del motor.
4. Retire cuidadosamente el cuerpo del motor (4) jalando directamente hacia la parte trasera del carrito. El inducido (6) normalmente permanece montado a la caja de engranajes (7) cuando se retira el cuerpo del motor.
5. Retire el inducido sosteniéndolo por la parte central y jalándolo directamente hacia atrás. Si hay resistencia, mueva suavemente el inducido hacia arriba y abajo mientras lo jala. Si el inducido sale con el cuerpo del motor, simplemente retírelo sosteniendo el cojinete del inducido.
6. Saque las dos arandelas tipo belleville (5) del interior del balero trasero de la campanilla y el motor.
7. Estando el cuerpo del motor en posición vertical hacia arriba, instale las arandelas belleville en el interior del balero trasero del motor y la campanilla. Apile las arandelas de tal manera que sus diámetros interiores se toquen entre sí.
8. Instale el nuevo inducido en el cuerpo del motor.
9. Después de instalar el inducido en el cuerpo del motor, introduzca el balero del inducido delantero en el espacio interior para balero de la caja de engranajes. El diámetro interior del casquillo del motor debe colocarse sobre los 4 pernos de centrado de la caja de engranajes.
10. Alinee las marcas del casquillo del motor y de la caja de engranajes y fije el motor a la caja de engranajes con los 4 tornillos largos con cabeza Phillips.

### Reemplazo del cable del motor

1. Introduzca el cable del motor por el agujero del anclaje ubicado en la placa de montaje de la caja de control de presión en el carrito. Coloque la porción encamisada del cable del motor a la distancia observada en el paso 4 de Desmontaje del cable del motor. Vuelva a conectar el conector del cable negro del motor a M1 y el cable blanco de motor a M2 en la parte delantera del tablero de circuitos. Encamine los cables según observó en el paso 4.
2. Instale el anclaje en la parte posterior de la placa de montaje de la caja de control de presión.
3. Atornille la tapa de la caja de control de presión.
4. Inspeccione las escobillas del motor para determinar si están dañadas o desgastadas. Si tienen menos de 1.25 cm de longitud, reemplácelas. Instale las escobillas y sus tapitas.
5. Instale la tapa del motor y fíjela con los tornillos de montaje.

# DetECCIÓN DE PROBLEMAS

## Problema

La unidad no funciona.

La unidad no se ceba.

La unidad no puede acumular o mantener la presión.

Hay una fuga de líquido en el extremo superior de la sección del fluido.

El patrón de pulverización es inadecuado.

La presión está baja.

Está fundido el fusible del cortacircuito de la bomba.

Mal funcionamiento/se dispara el cortacircuito.

## Causa

1. Se ha disparado un cortacircuito en la unidad o en el enchufe.
2. La unidad no está enchufada.
3. La perilla de control de presión está en un valor demasiado bajo.
4. Hay un alambre dañado o un circuito dañado.
5. Las escobillas del motor están desgastadas.
6. El interruptor de encendido/apagado no funciona.

1. Los empaques del pistón se resecaron.
2. La válvula de entrada tiene una fuga.
3. El filtro de entrada de la bomba está tapado.
4. Hay aire en la bomba o en la manguera de pintura.

5. Los empaques del pistón están desgastados.
6. La pintura es demasiado espesa.

7. El tubo de aspiración está tapado.
8. El tubo de aspiración tiene una fuga de aire.
9. La boquilla está tapada.

1. La perilla de ajuste de presión no está fijada correctamente.
2. El filtro de entrada de la bomba está sucio.
3. Las bolas de la válvula o los sellos de la válvula están sucios.
4. Hay aire en la bomba o en la manguera de pintura.

5. Los empaques del pistón están desgastados.
6. La boquilla está desgastada.

7. La unidad tiene una fuga interna.

8. La válvula de entrada o de salida tiene una fuga.
9. Los acoplamientos externos tienen una fuga.

10. La pintura es demasiado espesa.

11. La boquilla es demasiado grande.
12. Se ha acumulado pintura en el tren desplazable del alojamiento de extensión.
13. La válvula CEBAR/PULVERIZAR tiene una fuga.

1. El empaque superior está desgastado.
2. La barra del pistón está desgastada.

1. La boquilla es demasiado larga.
2. La presión está fijada incorrectamente.
3. No llega suficiente líquido a la pistola.
4. El fluido es demasiado espeso.

1. La presión está fijada en un valor demasiado bajo.
2. El voltaje de la fuente de alimentación es incorrecto.
3. El cable de extensión es demasiado largo.
4. El límite de corriente está fijado en 15 amps.

1. Demasiada presión se acumula en la bomba.
2. Malfuncionamiento de la caja de engranajes o en el varillaje.

1. Los alambres del derivador del motor están flojos o las escobillas están desgastadas.
2. Las conexiones de la caja de control de presión están flojas.
3. La presión de cierre de seguridad es incorrecta.
4. Falta el manguito aislador del interruptor del cortacircuito/interruptor sucio.
5. La posición del interruptor limitador de corriente es incorrecta.

6. Está tapado el tren desplazable o el alojamiento de extensión.
7. El filtro está tapado.

## Solución

1. Retire los cortacircuitos y restablézcalos si es necesario.

2. Enchufe la unidad.
3. Aumente la presión.

4. Lleve la unidad a un centro de servicio autorizado.
5. Revise las escobillas y reemplácelas si es necesario.
6. Lleve la unidad a un centro de servicio autorizado.

1. Retire el tubo de succión y sienta la bola inferior para asegurarse de que está libre. Coloque un cuarto de litro de diluyente de pintura sobre el extremo de la sección del fluido y encienda la bomba.

2. Reemplace la válvula de entrada con el juego P/N 0294979.

3. Retire el filtro de entrada y límpielo.
4. Sostenga el gatillo de la pistola en la posición abierta y ponga la unidad en funcionamiento unos 10 segundos hasta que se purgue el aire. Revise si hay fugas en el tubo de succión.

5. Reemplace los empaques con el juego P/N 0294978.
6. Ceba la bomba con un disolvente compatible. Espere a que la bomba llegue a la presión adecuada. Retire cuidadosamente la bomba del recipiente de disolvente y sumerja el tubo de entrada en el fluido espeso que desee aplicar. Quite la boquilla, oprima el gatillo de la pistola hasta que llegue el fluido espeso a la pistola. Coloque la boquilla.

7. Retire y limpie el tubo de succión.
8. Revise el tubo de succión y selle las fugas que encuentre.
9. Alivie la presión, retire y limpie la boquilla.

1. Aumente la presión.

2. Limpie el filtro de entrada de la bomba.
3. Reemplace o limpie las bolas y los asientos de la válvula.

4. Sostenga el gatillo de la pistola en la posición abierta y ponga la unidad en funcionamiento unos 10 segundos hasta que se purgue el aire.

5. Reemplace los empaques con el juego P/N 0294978.
6. Reemplace la boquilla siguiendo las instrucciones proporcionadas con la pistola.

7. Estando el gatillo de la pistola cerrado, espere a que la unidad llegue a la presión correcta y luego apáguela cuando la bomba se inicie momentáneamente. Fijese en dónde está la fuga interna y reconstruya la sección del fluido.

8. Reemplace las válvulas usando el juego P/N 0294979.

9. Revise todos los acoplamientos y las conexiones de la manguera para ver si hay fugas externas.

10. Lea las recomendaciones del fabricante del fluido incluidas en la etiqueta del envase del fluido.

11. Cambie la boquilla.
12. Limpie el tren desplazable.

13. Revise la válvula CEBAR/PULVERIZAR (PRIME/SPRAY) y límpiela si es necesario. Colóquela firmemente en la posición Spray.

1. Alivie la presión y reemplace los empaques.
2. Reemplace la barra del pistón.

1. Cambie a una boquilla más pequeña.
2. Restablezca la presión.
3. Limpie todas las cribas y los filtros.
4. Agregue disolvente o agua según las recomendaciones del fabricante del fluido.

1. Aumente la presión.
2. Conecte la unidad a un receptáculo de 120 volts de ca.

3. Use un cable de extensión de calibre 12 que no exceda 31 metros (100 pies) de longitud.
4. Fije el interruptor en 20 amps.

1. Lleve la unidad a un centro de servicio autorizado por la fábrica.
2. Repare o reemplace las piezas que no funcionan.

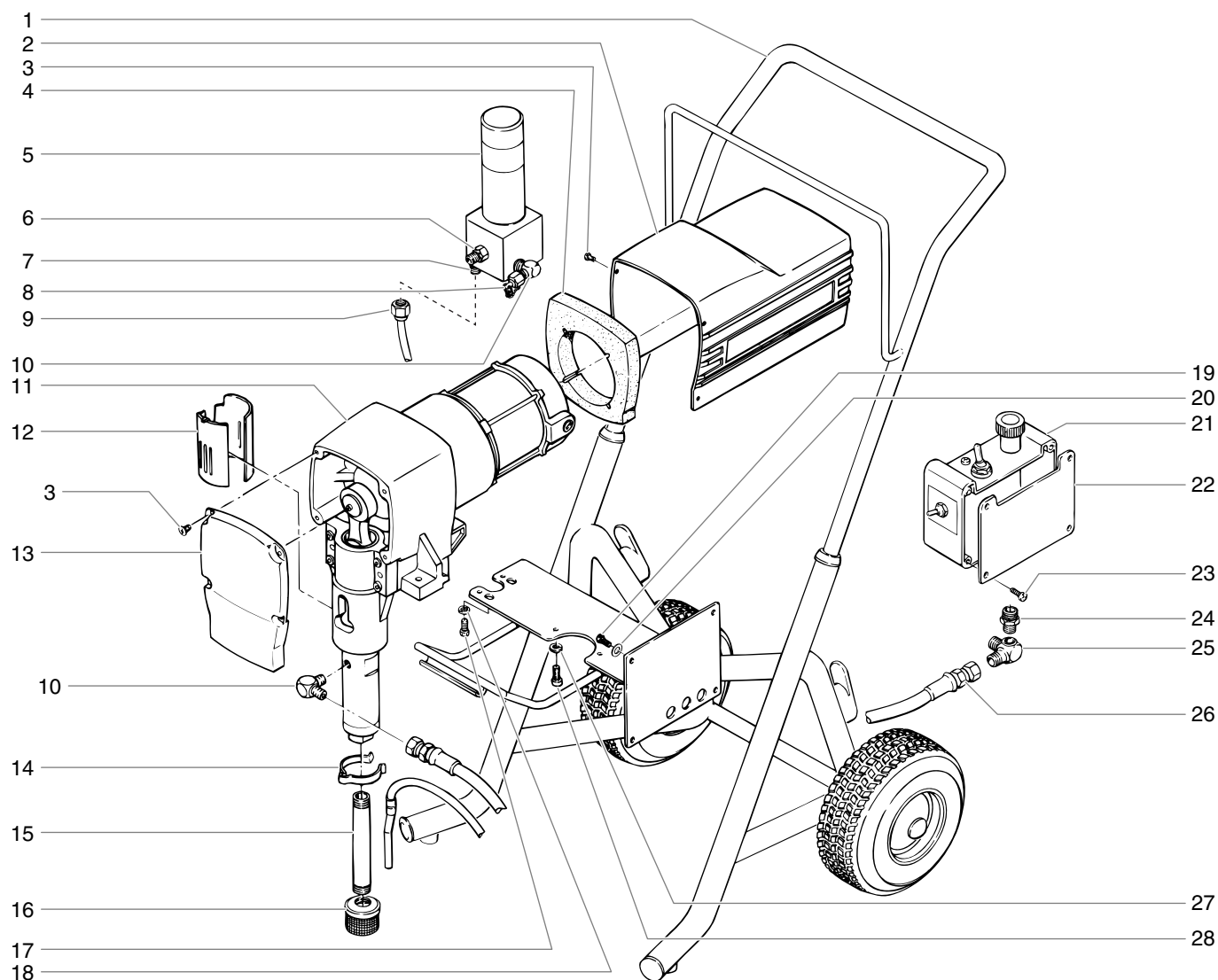
1. Reemplace las escobillas y los alambres según sea necesario.
2. Apriete las conexiones o elimine el residuo de los conectores.
3. Vuelva a calibrar la presión de cierre de seguridad a 2650 +100/-0 psi.
4. Si el interruptor del cortacircuito está tapado con contaminantes, reemplace el interruptor.

5. La unidad solamente debe ser colocada en el modo de 15 amps. si el cortacircuito de la pared se está disparando. Es normal que la unidad funcione más lentamente en el modo de 15 amps.
6. Límpielo.

7. Limpie el filtro. Si piensa aplicar materiales más espesos, como relleno para bloques o masilla, primero quite el filtro.

# Parts Listings • Liste des pièces • Listas de piezas

## Final Assembly • Assemblage final • Conjunto final



### English

Item	Part No.	Description	Qty.	Item	Part No.	Description	Qty.
1	-----	Cart assembly .....	1	18	51357	Washer, 5/16 split lock .....	2
2	0279287	Motor shroud .....	1	19	9802252	Screw, #10-32 .....	4
3	9802537	Screw .....	8	20	9822101	Washer .....	4
4	0294345	Baffle .....	1	21	0294297	Pressure control assembly .....	1
5	0507156	Filter/Valve assembly .....	1			(Includes item 22)	
6	0508343	Fitting .....	1	22	0291438	Cover .....	1
7	9885561	Fitting .....	1	23	9802250	Screw, #10-32 .....	4
8	0291550	Cap .....	1	24	02208	Transducer assembly .....	1
9	0507161	Hose, return .....	1	25	0507388	Elbow .....	1
10	54425	90° elbow .....	3	26	14761	Hose, fluid .....	1
11	-----	Drive assembly .....	1	27	53171	Washer .....	2
12	0294386	Guard, finger .....	1	28	9800127	Screw, 3/8-16 mx .875 .....	2
13	-----	Drive assembly cover .....	1	29	0154218	Cap (not shown) .....	1
14	9850639	Clamp, return line .....	1	30	0294289	Power cord (not shown) .....	1
15	0507390	Tube, siphon .....	1	31	0276363	Strain relief, small (not shown)	
16	02975	Filter, suction .....	1	32	54204	Strain relief, large (not shown)	
17	52183	Screw, 5/16-18X.75 hex head .....	2				



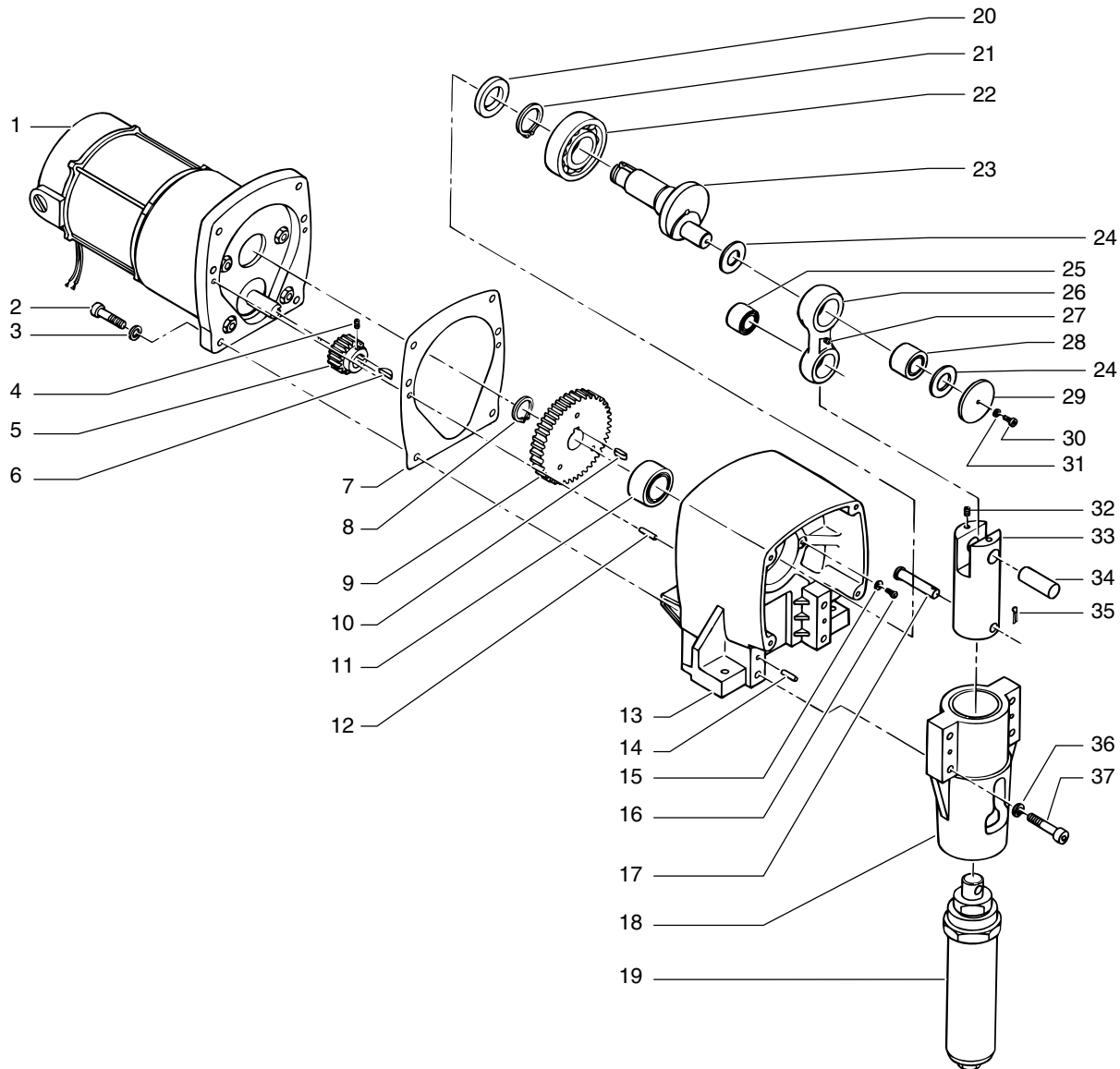
## Français

Article	No de pièce	Description	Qté
1	-----	Ensemble du support .....	1
2	0279287	Enveloppe de protection du moteur .....	1
3	9802537	Vis .....	8
4	0294345	Chicane .....	1
5	0507156	Assemblage filtre / soupape.....	1
6	0508343	Raccord .....	1
7	9885561	Raccord .....	1
8	0291550	Chapeau .....	1
9	0507161	Tube de retour.....	1
10	54425	Coude 90 ° .....	3
11	-----	Ensemble d'entraînement .....	1
12	0294386	Protège-doigts .....	1
13	-----	Capot.....	1
14	9850639	Bride de serrage de la canalisation de retour .....	1
15	0507390	Tube d'aspiration .....	1
16	02975	Filtre d'aspiration .....	1
17	52183	Vis (5/16-18X.75 tête hexagonale).....	2
18	51357	Rondelle (5/16 fendue).....	2
19	9802252	Vis no 10-32 .....	4
20	9822101	Rondelle .....	4
21	0294297	Ensemble de commande de pression (comprend article 22) .....	1
22	0291438	Capot.....	1
23	9802250	Vis no 10-32 .....	4
24	02208	Ensemble de transducteur .....	1
25	0507388	Coude .....	1
26	14761	Boyau .....	1
27	53171	Rondelle .....	2
28	9800127	Vis (3/8-16 mx 0,875).....	2
29	0154218	Chapeau (non illustré).....	1
30	0294289	Cordon d'alimentation (non illustré) .....	1
31	0276363	Serre-câble, petit (non illustré)	
32	54204	Serre-câble, large (non illustré)	

## Español

Artículo	No. de pieza	Descripción	Cantidad
1	-----	Carrito .....	1
2	0279287	Cubierta de motor .....	1
3	9802537	Tornillo.....	8
4	0294345	Deflector .....	1
5	0507156	Conjunto del filtro y la válvula.....	1
6	0508343	Acoplamiento .....	1
7	9885561	Acoplamiento .....	1
8	0291550	Tapón .....	1
9	0507161	Tube de retorno.....	1
10	54425	Codo de 90° .....	1
11	-----	Conjunto del mecanismo de transmisión .....	1
12	0294386	Guardamano .....	1
13	-----	Tapa .....	1
14	9850639	Abrazadera, tubo de retorno .....	1
15	0507390	Tube de aspiración.....	1
16	02975	Filtro de succión .....	1
17	52183	Tornillo, cabeza hexagonal de 5/16-18X.75.....	2
18	51357	Arandela de seguridad seccionada de 5/16 .....	2
19	9802252	Tornillo, #10-32.....	4
20	9822101	Arandela.....	4
21	0294297	Conjunto de control de presión..... (Incluye el elemento 22)	1
22	0291438	Tapa .....	1
23	9802250	Tornillo, #10-32.....	4
24	02208	Conjunto del transductor.....	1
25	0507388	Codo.....	1
26	14761	Manguera de fluidos .....	1
27	53171	Arandela.....	2
28	9800127	Tornillo, 3/8-16 mx .875.....	2
29	0154218	Tapón (no se muestra).....	1
30	0294289	Cable de alimentación (no se muestra).....	1
31	0276363	Anclaje, chico (no se muestra)	
32	54204	Anclaje, grande (no se muestra)	

# Drive Assembly • Ensemble d'entraînement • Conjunto del mecanismo de transmisión



## English

Item	Part No.	Description	Qty.	Item	Part No.	Description	Qty.
1	71010	Motor interface assembly.....	1	20	71057	Seal.....	1
2	51236	Screw, cap.....	6	21	53822	Ring, retaining.....	1
3	51357	Washer, lock.....	6	22	71055	Bearing, ball.....	1
4	51691	Screw, set.....	1	23	71004	Crankshaft.....	1
5	13709	Gear, pinion spur.....	1	24	54012	Washer, thrust.....	2
6	52965	Key, woodruff.....	1	25	80046	Bearing.....	1
7	71017	Gasket.....	1	26	71022	Rod, connecting.....	1
8	51240	Ring, retaining.....	1	27	9885543	Fitting, grease.....	1
9	13633	Gear, spur.....	1	28	71019	Bearing.....	1
10	05304	Key.....	1	29	54013	Washer, retaining.....	1
11	71013	Bearing, ball.....	1	30	54186	Screw.....	1
12	53031	Pin, dowel.....	2	31	9821506	Washer, lock, split.....	1
13	0507394	Housing, drive.....	1	32	53244	Plug, pipe.....	2
14	53025	Pin, dowel.....	1	33	71026	Block, slide.....	1
15	11843	Washer.....	2	34	71025	Pin, wrist.....	1
16	9802537	Screw.....	2	35	51841	Pin, cotter.....	1
17	71034	Pin, connecting.....	1	36	53171	Washer, lock.....	4
18	71031	Housing, extension.....	1	37	52163	Screw, cap.....	4
19	0294207	Fluid section assembly.....	1				

**NOTE:** Torque item 30 to 31 in./lbs.  
Torque item 37 to 20 ft./lbs.  
Torque item 2 to 15 ft./ lbs.

**NOTE:** Fill with 16 ounces of gear oil (P/N 9870305) when assembling the gear motor (1) to drive housing (13).

## Français

Article	No de pièce	Description	Qté
1	71010	Ensemble du joint du moteur (interface est utilisé dans le domaine de la chimie) ...	1
2	51236	Vis à chapeau .....	6
3	51357	Rondelle de blocage .....	6
4	51691	Vis de calage .....	1
5	13709	Roue à denture droite du pignon .....	1
6	52965	Clavette Woodruff .....	1
7	71017	Garniture d'étanchéité .....	1
8	51240	Bague de retenue .....	1
9	13633	Roue à denture droite .....	1
10	05304	Clé .....	1
11	71013	Roulement à billes .....	1
12	53031	Cheville .....	2
13	0507394	Carter d'entraînement .....	1
14	53025	Cheville .....	1
15	11843	Rondelle .....	2
16	9802537	Vis .....	2
17	71034	Goupille de liaison .....	1
18	71031	Prolongement du carter .....	1
19	0294207	Assemblage de la section du fluide .....	1
20	71057	Joint d'étanchéité .....	1
21	53822	Bague de retenue .....	1
22	71055	Roulement à billes .....	1
23	71004	Vilebrequin .....	1
24	54012	Rondelle de butée .....	2
25	80046	Coussinet .....	1
26	71022	Tige conductrice .....	1
27	9885543	Raccord de graissage .....	1
28	71019	Coussinet .....	1
29	54013	Rondelle de retenue .....	1
30	54186	Vis .....	1
31	9821506	Rondelle de blocage .....	1
32	53244	Bouchon de tuyau .....	2
33	71026	Bloc coulissant .....	1
34	71025	Axe de piston .....	1
35	51841	Goupille fendue .....	1
36	53171	Rondelle de blocage .....	4
37	52163	Vis à chapeau .....	4

**NOTA:** Serrer l'article n° 30 jusqu'à 76,2 cm/kg de couple.

Serrer l'article n° 37 jusqu'à 50,8 cm/kg de couple.

Serrer l'article n° 2 jusqu'à 38,1 cm/kg de couple.

**NOTA:** Remplir de 454 ml d'huile à engrenages (pièce no 9870305) lorsqu'on assemble le moteur à engrenages (1) au carter d'entraînement (13).

## Español

Artículo	No. de pieza	Descripción	Cantidad
1	71010	Conjunto de la interfaz del motor .....	1
2	51236	Tapa del tornillo .....	6
3	51357	Arandela de seguridad .....	6
4	51691	Tornillo .....	1
5	13709	Piñón diferencial .....	1
6	52965	Chaveta de media luna .....	1
7	71017	Junta obturadora .....	1
8	51240	Anillo de retención .....	1
9	13633	Engranaje cilíndrico de dentadura recta .....	1
10	05304	Llave .....	1
11	71013	Cojinete de bolas .....	1
12	53031	Pasador guía .....	2
13	0507394	Alojamiento del mecanismo de transmisión .....	1
14	53025	Pasador guía .....	1
15	11843	Arandela .....	2
16	9802537	Tornillo .....	2
17	71034	Pasador de conexión .....	1
18	71031	Alojamiento de la extensión .....	1
19	0294207	Conjunto de la sección del fluido .....	1
20	71057	Obturador .....	1
21	53822	Anillo de retención .....	1
22	71055	Cojinete de bolas .....	1
23	71004	Eje del cigüeñal .....	1
24	54012	Arandela de empuje .....	2
25	80046	Cojinete .....	1
26	71022	Varilla de conexión .....	1
27	9885543	Engrasador .....	1
28	71019	Cojinete .....	1
29	54013	Arandela de retención .....	1
30	54186	Tornillo .....	1
31	9821506	Arandela de seguridad seccionada .....	1
32	53244	Tapón de tubo .....	2
33	71026	Tren desplazable .....	1
34	71025	Muñequilla .....	1
35	51841	Pasador de aletas .....	1
36	53171	Arandela de seguridad .....	4
37	52163	Tapa del tornillo .....	4

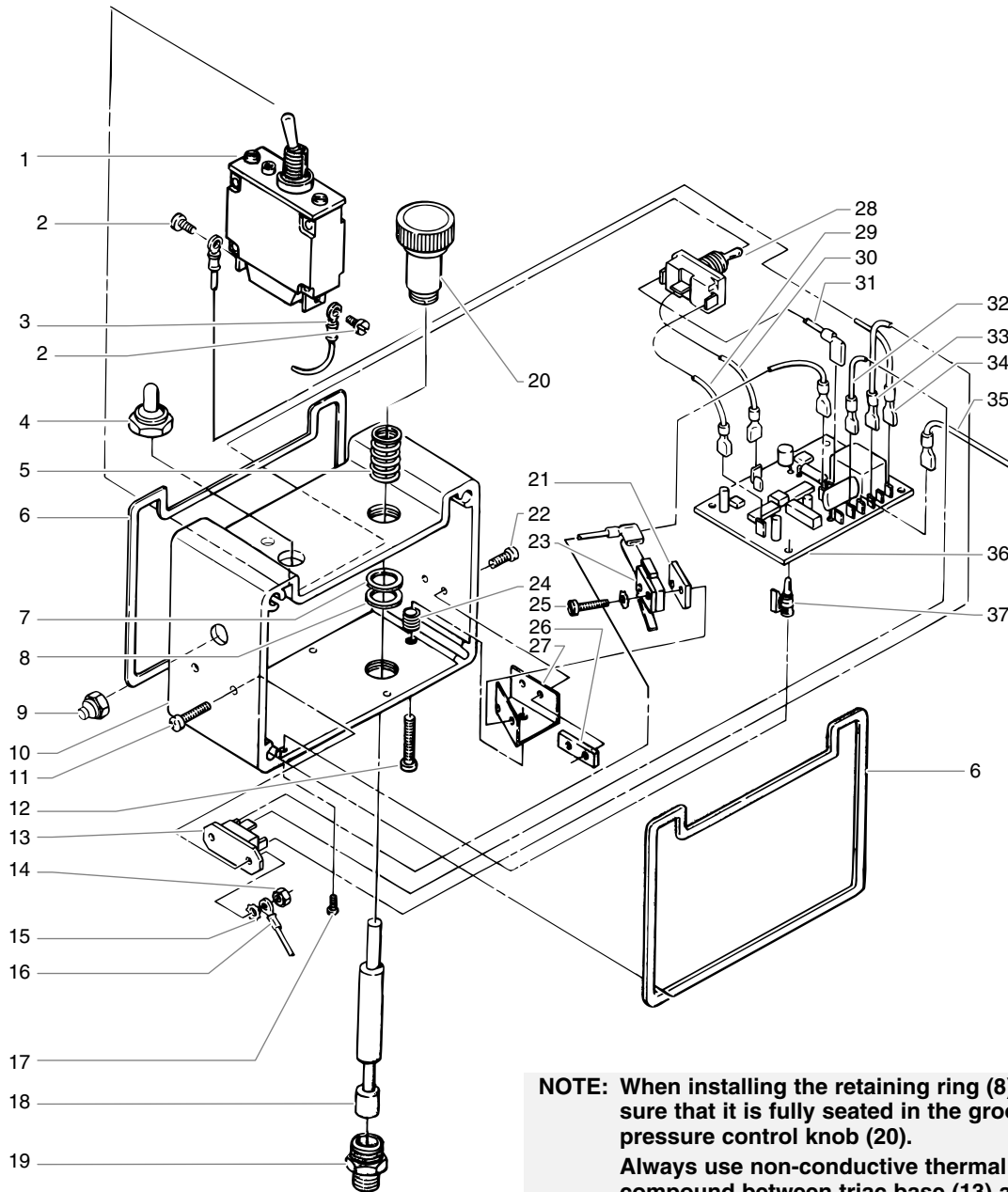
**NOTA:** Apriete la pieza 30 a un par de torsión de 76.2 cm/kg.

Apriete la pieza 37 a un par de torsión de 50.8 cm/kg.

Apriete la pieza 2 a un par de torsión de 38.1 cm/kg.

**NOTA:** Llène con 454 ml (16 onzas) de aceite para transmisión (P/N 9870305) cuando monte el motor de engranaje (1) en el alojamiento de mecanismo de transmisión (13).

# Pressure Control Assembly • Ensemble de commande de pression • Conjunto de la caja de control de presión



**NOTE:** When replacing parts in the pressure control assembly, refer to the pressure control assembly wiring diagram near the back of this manual.

**NOTA:** Lorsqu'on remplace des pièces de l'ensemble de commande de pression, se reporter au schéma de câblage approprié situé vers la fin de ce manuel.

**NOTA:** Cuando reemplace las piezas del conjunto de la caja de control de presión, consulte el diagrama de cableado de éste, casi al final del manual.

**NOTE:** When installing the retaining ring (8), make sure that it is fully seated in the groove on the pressure control knob (20). Always use non-conductive thermal compound between triac base (13) and pressure control box (10).

**NOTA:** Lorsqu'on installe la bague de retenue (8), s'assurer qu'elle soit bien insérée dans la rainure sur le bouton de commande de pression (20). Toujours utiliser un composé thermique non conducteur entre la base à triac (13) et la boîte de commande de pression (10).

**NOTA:** Cuando instale el anillo de retención (8), asegúrese de que esté completamente asentado en la perilla de control de presión (20). Siempre use compuesto térmico no conductor entre la base del tiristor bidireccional (13) y la caja de control de presión (10).

## English

Item	Part No.	Description	Qty.	Item	Part No.	Description	Qty.
1	9850928	Switch, circuit breaker, 20 amp.....	1	20	0295426	Knob, pressure control.....	1
2	-----	Screw (included with item 4).....	4	21	03662	Spacer, switch.....	1
3	-----	Power cord lead, hot (black)		22	9800331	Screw, button head (6-21 x 0.50).....	2
4	9850929	Switch boot.....	1	23	0508302	Pressure switch.....	1
5	02712	Spring.....	1	24	9894230	Spring, compression coil.....	1
6	0291442	Gasket, circuit box.....	2	25	9800604	Screw, phillips pan head (4-40 x 0.625).....	2
7	9820320	Spacer, control knob.....	1	26	0294336	Fish plate, threaded.....	1
8	9822522	Ring, retaining (see note).....	1	27	0294332	Bracket, micro switch.....	1
9	9850917	Nut, Seal.....	1	28	9850911	Switch, SPDT, 6 amp.....	1
10	0279362	Box, pressure control.....	1	29	0279409	Red lead assembly.....	1
11	9804910	Screw, phillips, pan head (6-32 x 0.5).....	2	30	0279410	Yellow lead assembly.....	1
12	9803102	Screw, phillips pan head (10-24 x 1.00).....	1	31	0279408	Blue lead assembly.....	1
13	9850804	Triac (see note).....	1	32	0294169	Grey lead assembly.....	1
14	9810102	Nut, hex 6-32.....	2	33	0294168	Violet lead assembly.....	1
15	9822109	Washer, star, #6.....	2	34	0294288	Black lead assembly.....	1
16	-----	Power cord lead, negative (green)		35	-----	Power cord lead, neutral (white)	
17	10939	Screw, self-tap (6-32 x 3/8).....	4	36	0294111	Circuit board assembly.....	1
18	0294331	Plunger.....	1	37	0294593	Support, circuit board.....	4
19	02208	Transducer assembly.....	1				

## Français

Article	No de pièce	Description	Qté	Article	No de pièce	Description	Qté
1	9850928	Interrupteur du disjoncteur, 20 A.....	1	18	0294331	Plongeur.....	1
2	-----	Vis (comprise avec l'article 4).....	4	19	02208	Ensemble de transducteur.....	1
3	-----	Fil conducteur du cordon d'alimentation (noir)		20	0295426	Bouton de commande de pression.....	1
4	9850929	Enveloppe de l'interrupteur.....	1	21	03662	Rondelle d'écartement de l'interrupteur...1	
5	02712	Ressort.....	1	22	9800331	Vis à tête ronde (6,21 x 0,50).....	2
6	0291442	Garniture d'étanchéité de la boîte de circuit..2		23	0508302	Interrupteur de la pression.....	1
7	9820320	Rondelle d'espacement du bouton de commande.....	1	24	9894230	Ressort de compression hélicoïdal.....	1
8	9822522	Bague de retenue.....	1	25	9800604	Vis (4-040 x 0,625).....	2
9	9850917	Écrou étanche.....	1	26	0294336	Éclisse filetée.....	1
10	0279362	Boîte de commande de pression.....	1	27	0294332	Patte de fixation du micro-contact.....	1
11	9804910	Vis Phillips à tête cylindrique bombée (6-32 x 0,5).....	2	28	9850911	Commutateur unipolaire et bidirectionnel, 6A.....	1
12	9803102	Vis Phillips à tête cylindrique bombée (10-24 x 1,00).....	1	29	0279409	Ensemble du fil conducteur rouge.....	1
13	9850804	Triac (voir la remarque).....	1	30	0279410	Ensemble du fil conducteur jaune.....	1
14	9810102	Écrou hexagonal 6-32.....	2	31	0279408	Ensemble du fil conducteur bleu.....	1
15	9822109	Rondelle étoile no 6.....	2	32	0294169	Ensemble du fil conducteur gris.....	1
16	-----	Fil conducteur du cordon d'alimentation, négatif (vert)		33	0294168	Ensemble du fil conducteur violet.....	1
17	10939	Vis autotaraudeuse (6-32 x 3/8).....	4	34	0294288	Ensemble du fil conducteur noir.....	1
				35	-----	Fil conducteur du cordon d'alimentation, neutre (blanc)	
				36	0294111	Ensemble de la plaquette de circuit.....	1
				37	0294593	Support de la plaquette du circuit.....	4

## Español

Artículo	No. de pieza	Descripción	Cantidad	Artículo	No. de pieza	Descripción	Cantidad
1	9850928	Interruptor del cortacircuito, 20 amps..1		19	02208	Conjunto del transductor.....	1
2	-----	Tornillo (incluido con el elemento 4)....4		20	0295426	Perilla de control de presión.....	1
3	-----	Cable de alimentación, "vivo" (negro)		21	03662	Espaciador de interruptor.....	1
4	9850929	Manguito aislador.....	1	22	9800331	Tornillo de cabeza de botón (6-21 x 0.50).....	2
5	02712	Resorte.....	1	23	0508302	Conjunto del cable del interruptor de presión.....	1
6	0291442	Junta obturadora de la caja de circuitos.....	2	24	9894230	Resorte de compresión.....	1
7	9820320	Perilla de control del separador.....	1	25	9800604	Tornillo con cabeza Phillips (4-40 x 0.625).....	2
8	9822522	Anillo de retención (consulte la nota)..1		26	0294336	Cubrejunta roscada.....	1
9	9850917	Tuerca obturadora.....	1	27	0294332	Ménsula para microinterruptor.....	1
10	0279362	Caja de control de presión.....	1	28	9850911	Interruptor, SPDT, 6 amps.....	1
11	9804910	Tornillo con cabeza Phillips (6-32 x 0.5).....	2	29	0279409	Conjunto del cable rojo.....	1
12	9803102	Tornillo con cabeza Phillips (10-24 x 1.00).....	1	30	0279410	Conjunto del cable amarillo.....	1
13	9850804	Tiristor bidireccional (consulte la nota) 1		31	0279408	Conjunto del cable azul.....	1
14	9810102	Tuerca hexagonal 6-32.....	2	32	0294169	Conjunto del cable gris.....	1
15	9822109	Arandela de estrella, #6.....	2	33	0294168	Conjunto del cable violeta.....	1
16	-----	Cable de alimentación, negativo (verde)		34	0294288	Conjunto del cable negro.....	1
17	10939	Tornillo autoroscante (6-32 x 3/8)....4		35	-----	Cable eléctrico, neutro (blanco)	
18	0294331	Tapón.....	1	36	0294111	Conjunto del tablero de circuitos.....	1
				37	0294593	Tablero de circuitos de soporte.....	4

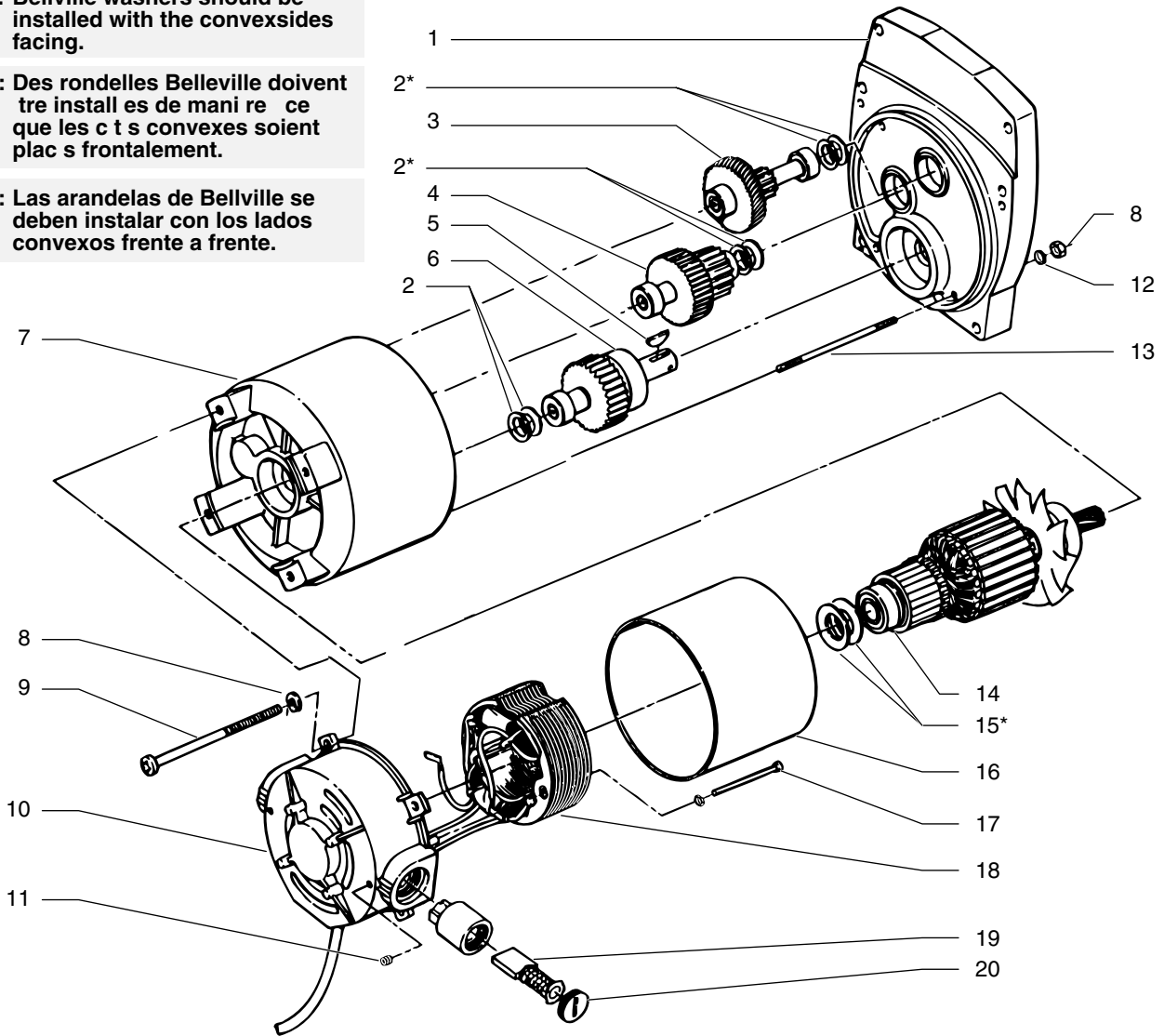
# Motor Assembly • Ensemble moteur • Conjunto del motor (P/N 71010)



**NOTE:** Belleville washers should be installed with the convex sides facing.

**NOTA:** Des rondelles Belleville doivent être installées de manière que les côtés convexes soient placés frontalement.

**NOTA:** Las arandelas de Belleville se deben instalar con los lados convexos frente a frente.



## English

Item	Part No.	Description	Qty.	Item	Part No.	Description	Qty.
1	0294785	Adapter plate assembly	1	13	9803302	Gear box stud	4
2	9820904	Belleville washer	8	14	17100	Armature & bearing assembly	1
3	0294783	First stage gear assembly	1	15	9820903	Belleville washer	2
4	0294782	Second stage gear assembly	1	16	-----	Motor housing	1
5	9831004	Key	1	17	-----	Field mount screw	2
6	0294784	Shaft/gear assembly	1	18	0294709	Stator field assembly	1
7	0294781	Gear housing	1	19	07101	Brush	2
8	0294613	Nut	4	20	07103	Cap, brush	2
9	9803300	Motor stud	4	---	0279901	Gear box assembly (Items 1-8, 13-14)	1
10	-----	End bell	1	---	0294295	Motor assembly (Items 14-17, 19-20)	1
11	-----	Set screw	2	---	0294708	End bell assembly (items 10-11, 18)	1
12	0294798	Seal washer	4				

## Français

Article	No de pièce	Description	Qté
1	0294785	Ensemble de la plaque de l'adaptateur....1	
2	9820904	Rondelle Belleville .....8	
3	0294783	Engrenage premier étage .....1	
4	0294782	Engrenage second étage .....1	
5	9831004	Clé .....1	
6	0294784	Ensemble arbre / engrenage.....1	
7	0294781	Cartier d'engrenages.....1	
8	0294613	Écrou .....4	
9	9803300	Goujon de moteur .....4	
10	-----	Flasque.....1	
11	-----	Vis de calage.....2	
12	0294798	Rondelle d'étanchéité.....4	
13	9803302	Goujon de boîte d'engrenages.....4	

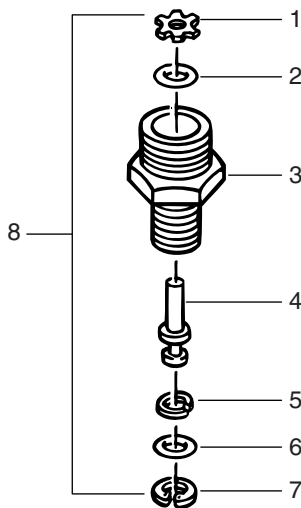
Article	No de pièce	Description	Qté
14	17100	Assemblage de l'induit et du roulement...1	
15	9820903	Rondelle Belleville .....2	
16	-----	Cartier du moteur .....1	
17	-----	Vis de montage inductrice .....2	
18	0294709	Assemblage inducteur stator.....1	
19	07101	Balai .....2	
20	07103	Capuchon de balai .....2	
---	0279901	Ensemble de boîte d'engrenage (article 1 à 8, 13 et 14).....1	
---	0294295	Ensemble de moteur (articles 14 à 17, 19 et 20).....1	
---	0294708	Ensemble de flasque (articles 10, 11 et 18) .....1	

## Español

Artículo	No. de pieza	Descripción	Cantidad
1	0294785	Conjunto de la placa del adaptador..1	
2	9820904	Arandela de Belleville .....8	
3	0294783	Conjunto del engranaje de la primera etapa .....1	
4	0294782	Conjunto del engranaje de la segunda etapa .....1	
5	9831004	Llave.....1	
6	0294784	Conjunto del eje/engranaje .....1	
7	0294781	Alojamiento del engranaje .....1	
8	0294613	Tuerca .....4	
9	9803300	Perno de motor .....4	
10	-----	Placa lateral .....1	
11	-----	Tornillo de fijación .....2	
12	0294798	Arandela de obturación.....4	

Artículo	No. de pieza	Descripción	Cantidad
13	9803302	Perno de la caja de engranajes .....4	
14	17100	Conjunto del inducido y cojinete .....1	
15	9820903	Arandela de Belleville .....2	
16	-----	Alojamiento del motor .....1	
17	-----	Tornillo de montaje .....2	
18	0294709	Conjunto del estator .....1	
19	07101	Escobilla .....2	
20	07103	Tapa de la escobilla .....2	
---	0279901	Conjunto de la caja de engranajes (elementos 1 a 8, 13 a 14) .....1	
---	0294295	Conjunto del motor (elementos 14 a 17, 19 a 20) .....1	
---	0294708	Conjunto de la placa lateral (elementos 10 a 11, 18) .....1	

## Transducer Assembly • Ensemble de transducteur • Conjunto del transductor (P/N 02208)



## Français

Article	No de pièce	Description	Qté
1	50431	Bague de retenue.....1	
2	50504	Joint torique.....1	
3	02216	Corps du transducteur.....1	
4	02232	Piston .....1	
5	50512	Bague d'appui .....1	
6	50482	Joint torique en matériau standard .....1	
	02305	Joint torique en matériau à base de laque (facultatif)	
7	50423	Bague de retenue.....1	
8	02283	Trousse de garniture du transducteur (articles 1 et 2 et 4 à 7)	

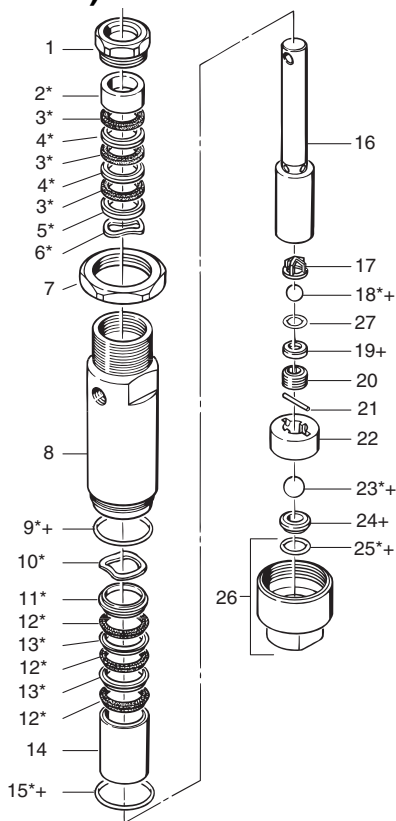
## Español

Artículo	No. de pieza	Descripción	Cantidad
1	50431	Anillo de retención .....1	
2	50504	Junta tórica.....1	
3	02216	Cuerpo del transductor .....1	
4	02232	Pistón .....1	
5	50512	Anillo de protección.....1	
6	50482	Junta tórica, material estándar.....1	
	02305	Junta tórica, material a base de laca (opcional)	
7	50423	Anillo de retención .....1	
8	02283	Juego de empaques del transductor (elementos 1, 2 y 4 a 7)	

## English

Item	Part No.	Description	Qty.
1	50431	Retainer ring .....1	
2	50504	O-ring .....1	
3	02216	Transducer body .....1	
4	02232	Piston .....1	
5	50512	Backup ring .....1	
6	50482	O-ring, standard material .....1	
	02305	O-ring, lacquer based material (optional)	
7	50423	Retainer ring .....1	
8	02283	Transducer packing kit (items 1, 2, and 4-7)	

# Fluid Section Assembly • Ensemble de la section du fluide • Conjunto de la sección de fluidos (P/N 0294207)



## Français

Article	No de pièce	Description	Qté
1	0294325	Écrou à pression .....	1
2	0294355	Adaptateur .....	1
3	08070	Garniture en V supérieure, UHMWPE .....	3
4	09091	Garniture en V en cuir supérieure.....	2
5	0294326	Anneau à pression supérieure .....	1
6	13364	Ressort ondulé .....	1
7	09326	Gros écrou de blocage.....	1
8	0294517	Cylindre .....	1
9	9871048	Joint torique, Teflon no 032 .....	1
10	9894237	Ressort ondulé .....	1
11	0294523	Anneau à pression inférieur .....	1
12	0294521	Garniture en V inférieure, UHMWPE .....	3
13	0294520	Garniture en V en cuir inférieure.....	2
14	0294522	Support annulaire inférieur.....	1
15	09441	Joint torique, Teflon no 030.....	1
16	0294518	Piston .....	1
17	0123434	Cage à bille .....	1
18	9841502	Bille de sortie.....	1
19	0294516	Siège de soupape .....	1
20	0123328	Écrou de retenue.....	1
21	09451	Goupille de blocage .....	1
22	0279446	Cage à bille .....	1
23	51519	Bille d'entrée.....	1
24	00310	Siège de soupape .....	1
25	00203	Joint torique.....	1
26	0279914	Pièce de rechange du logement d'entrée ....	1
27	9870114	Rondelle d'étanchéité.....	1

**NOTA:** Les articles suivis d'un astérisque (\*) sont compris dans la trousse de garniture (pièce no 0294978), alors que ceux suivis d'un signe d'addition (+) sont compris dans la trousse de soupape (pièce no 0294979).

## English

Item	Part No.	Description	Qty.
1	0294325	Packing nut .....	1
2	0294355	Adapter .....	1
3	08070	V-packing, UHMWPE, upper .....	3
4	09091	V-packing, leather, upper .....	2
5	0294326	Ring, pressure, upper .....	1
6	13364	Wave spring .....	1
7	09326	Large locknut .....	1
8	0294517	Cylinder .....	1
9	9871048	O-ring, Teflon #032 .....	1
10	9894237	Spring, wave .....	1
11	0294523	Ring, pressure, lower .....	1
12	0294521	V-packing, UHMWPE, lower .....	3
13	0294520	V-packing, leather, lower .....	2
14	0294522	Ring, support, lower .....	1
15	09441	O-ring, Teflon #030 .....	1
16	0294518	Piston .....	1
17	0123434	Cage, ball .....	1
18	9841502	Ball, outlet .....	1
19	0294516	Seat, valve .....	1
20	0123328	Nut, retainer .....	1
21	09451	Pin, stop .....	1
22	0279446	Cage, ball .....	1
23	51519	Ball, inlet .....	1
24	00310	Seat, valve .....	1
25	00203	O-ring .....	1
26	0279914	Inlet housing replacement .....	1
27	9870114	Washer, seal .....	1

**NOTE:** Those items marked with an \* are included in packing kit P/N 0294978. Those items marked with a + are included in valve kit P/N 0294979.

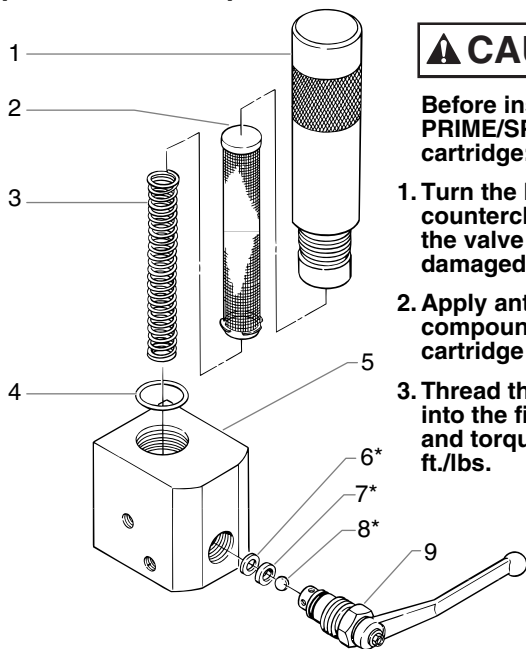
## Español

Artículo	No. de pieza	Descripción	Cantidad
1	0294325	Tuerca de empaque.....	1
2	0294355	Adaptador .....	1
3	08070	Empaque superior en V, UHMWPE.....	3
4	09091	Empaque superior de cuero, en V .....	2
5	0294326	Anillo de presión, superior .....	1
6	13364	Resorte ondulado .....	1
7	09326	Tuerca de seguridad, grande .....	1
8	0294517	Cilindro.....	1
9	9871048	Junta tórica de Teflon #03 .....	1
10	9894237	Resorte ondulado .....	1
11	0294523	Anillo de presión, inferior.....	1
12	0294521	Empaque inferior en V, UHMWPE.....	3
13	0294520	Empaque inferior de cuero en V .....	2
14	0294522	Anillo de soporte, inferior.....	1
15	09441	Junta tórica de Teflon #030 .....	1
16	0294518	Pistón.....	1
17	0123434	Jaula de la bola .....	1
18	9841502	Bola de salida .....	1
19	0294516	Asiento de la válvula .....	1
20	0123328	Tuerca de retención.....	1
21	09451	Pasador limitador.....	1
22	0279446	Jaula de la bola .....	1
23	51519	Bola de entrada .....	1
24	00310	Asiento de la válvula .....	1
25	00203	Junta tórica .....	1
26	0279914	Reemplazo del alojamiento de entrada..	1
27	9870114	Arandela de obturación .....	1

**NOTA:** Los elementos marcados con un \* se incluyen en el juego del empaque P/N 0294978. Los elementos marcados con un signo de + se incluyen en el juego de la válvula P/N 0294979.



# Filter/Valve Assembly • Assemblage filtre / soupape • Conjunto del filtro y la válvula (P/N 0507156)



## CAUTION

Before installing the PRIME/SPRAY valve cartridge:

1. Turn the handle fully counterclockwise or the valve seat will be damaged.
2. Apply antiseize compound to the cartridge threads.
3. Thread the cartridge into the filter head and torque to 35 ft./lbs.

## English

Item	Part No.	Description	Qty.
1	0294194	Filter body assembly	1
2	14069	Filter sieve (50 mesh)	1
	0291564	Filter sieve (20 mesh) - optional	
	14068	Filter sieve (100 mesh) - optional	
3	9894245	Filter support	1
4	14072	O-Ring	1
5	0507381	Head, filter/dump valve	1
6	0294499	Seal, dump valve	1
7	0294516	Seat, valve	1
8	9841502	Ball, 10mm	1
9	0294214	PRIME/SPRAY valve assembly	1

**NOTE:** Tabs on filter sieve should always go into the filter head. Avoid forcing tabs into filter body. Do not use halogenated hydrocarbons. 3000 PSI maximum.

**NOTE:** Valve repair kit P/N 0294966 includes \* items from the filter/valve assembly.

## Français

Article	No de pièce	Description	Qté
1	0294194	Ensemble du corps de filtre	1
2	14069	Tamis filtrant (mailles 50)	1
	0291564	Tamis filtrant (mailles 20) - facultatif	
	14068	Tamis filtrant (mailles 100) - facultatif	
3	9894245	Support de filtre	1
4	14072	Joint torique	1
5	0507381	Tête de filtre / de décharge de soupape	1
6	0294499	Dispositif d'étanchéité de la soupape de décharge	1
7	0294516	Siège de soupape	1
8	9841502	Bille (10 mm)	1
9	0294214	Ensemble de la soupape AMORÇAGE-VAPORISATION	1

**NOTA:** Les languettes du tamis filtrant doivent toujours être placées dans la tête de filtre; on doit donc éviter de les forcer dans le corps de filtre. Ne pas utiliser de l'hydrocarbure halogéné. Pression maximale : 206 bar.

**NOTA:** La trousse de réparation de la soupape (pièce no 0294966) comprend les articles\* de l'assemblage filtre / soupape.

## ATTENTION

Avant d'installer la cartouche de la soupape AMORÇAGE-VAPORISATION :

1. Tourner la clé de manoeuvre complètement vers la gauche afin d'éviter d'endommager le siège de la soupape.
2. Enduire les filets de la cartouche d'un composé antigrippant.
3. Fileter la cartouche dans la tête de filtre et serrer jusqu'à 10,7 m/kg de couple.

## Español

Artículo	No. de pieza	Descripción	Cantidad
1	0294194	Conjunto del cuerpo del filtro	1
2	14069	Criba del filtro (malla de 50)	1
	0291564	Criba del filtro (malla de 20) - opcional	
	14068	Criba del filtro (malla de 100) - opcional	
3	9894245	Soporte del filtro	1
4	14072	Junta tórica	1
5	0507381	Cabeza de válvula de descarga/filtro	1
6	0294499	Sello de la válvula de descarga	1
7	0294516	Asiento de la válvula	1
8	9841502	Bola de 10 mm	1
9	0294214	Conjunto de la válvula CEBAR/PULVERIZAR	1

**NOTA:** Las lengüetas de la criba del filtro siempre deben ir en la cabeza del filtro. Evite forzar las lengüetas en el cuerpo del filtro. No use hidrocarburos halogenados. 211 kg/cm2 máximo.

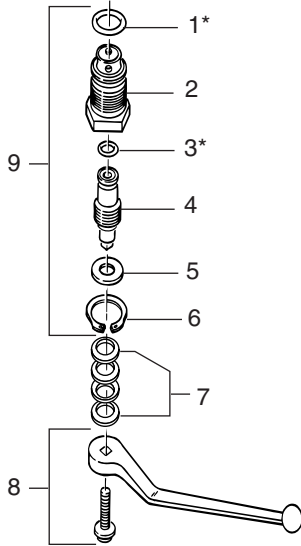
**NOTA:** El juego de reparación de válvulas P/N 0294966 incluye los elementos del conjunto del filtro/válvula que tienen un \*.

## PRECAUCION

Avant d'installer la cartouche de la soupape AMORÇAGE-VAPORISATION :

1. Tourner la clé de manoeuvre complètement vers la gauche afin d'éviter d'endommager le siège de la soupape.
2. Enduire les filets de la cartouche d'un composé antigrippant.
3. Fileter la cartouche dans la tête de filtre et serrer jusqu'à 10,7 m/kg de couple.

**PRIME/SPRAY Valve Assembly •  
Ensemble de la soupape  
AMORÇAGE-VAPORISATION •  
Conjunto de la válvula  
CEBAR/PULVERIZAR (PRIME/SPRAY)  
(P/N 0294214)**



**English**

Item	Part No.	Description	Qty.
1	9871046	O-Ring	1
2	0294498	Body, dump valve	1
3	9871045	O-Ring	1
4	0294500	Stem, dump valve	1
5	0294501	Washer, dump valve	1
6	9822516	Ring, retainer	1
7	0294788	Belleville washer kit	1
8	0294711	Handle, dump valve	1
9	0508110	PRIME/SPRAY valve cartridge	1

**NOTE: Valve repair kit P/N 0294966 includes \* items from the PRIME/SPRAY valve assembly.**

**Français**

Article	No de pièce	Description	Qté
1	9871046	Joint torique	1
2	0294498	Corps de la soupape de décharge	1
3	9871045	Joint torique	1
4	0294500	Tige de la soupape de décharge	1
5	0294501	Rondelle de la soupape de décharge	1
6	9822516	Bague de retenue	1
7	0294788	Trousse de rondelle Belleville	1
8	0294711	Clé de manoeuvre de la soupape de décharge	1
9	0508110	Cartouche de la soupape AMORÇAGE-VAPORISATION	1

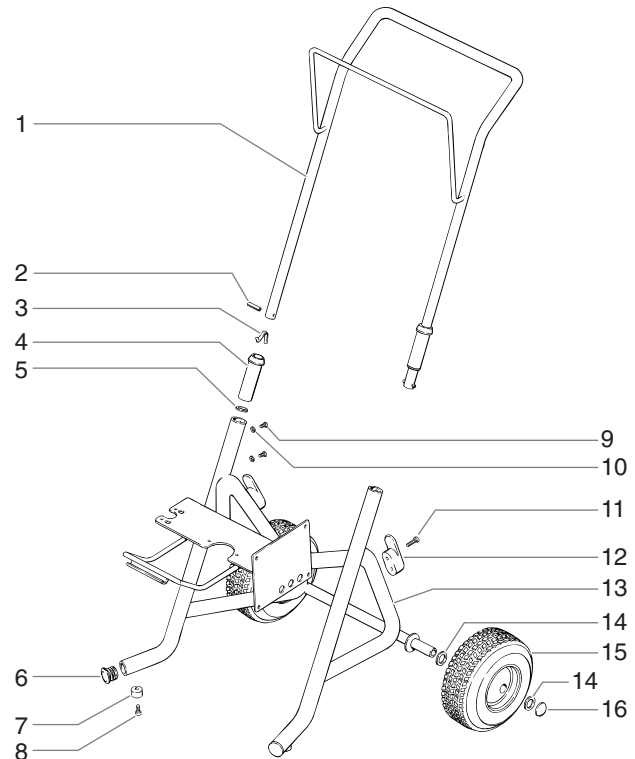
**NOTE: La trousse de réparation de la soupape (pièce no 0294966) comprend les articles\* de l'ensemble de la soupape AMORÇAGE-VAPORISATION.**

**Español**

Artículo	No. de pieza	Descripción	Cantidad
1	9871046	Junta tórica	1
2	0294498	Cuerpo de la válvula de descarga	1
3	9871045	Junta tórica	1
4	0294500	Vástago de la válvula de descarga	1
5	0294501	Arandela de la válvula de descarga	1
6	9822516	Anillo de retención	1
7	0294788	Juego de arandelas Belleville	1
8	0294711	Mango de la válvula de descarga	1
9	0508110	Cartucho de la válvula CEBAR/PULVERIZAR	1

**NOTA: El juego de reparación de la válvula P/N 0294966 incluye los elementos marcados con \* del conjunto de la válvula CEBAR/PULVERIZAR.**

**Cart Assembly •  
Ensemble du support •  
Conjunto del carrito**



**English**

Item	Part #	Description	Quantity
1	0507152	Handle .....	1
2	590-508	Pin, roll .....	2
3	9841504	Button, snap .....	2
4	590-504	Sleeve, handle .....	2
5	590-506	Flat washer .....	2
6	9885571	Plug .....	4
7	13538	Foot .....	2
8	54458	Screw .....	2
9	856-921	Screw .....	4
10	856-002	Lock washer .....	4
11	0293357	Screw .....	4
12	0279437	Cord wrap .....	2
13	0507151	Cart .....	1
14	0294534	Spacer .....	4
15	0507379	Wheel .....	2
16	9890104	Cap .....	2

**Français**

Article	N° de pièce	Description	Quantité
1	0507152	Poignée .....	1
2	590-508	Goupille rouleau .....	2
3	9841504	Bouton d'enclenchement .....	2
4	590-504	Manche de poignée .....	2
5	590-506	Rondelle plate .....	2
6	9885571	Prise .....	4
7	13538	Pied .....	2
8	54458	Vis .....	2
9	856-921	Vis .....	4
10	856-002	Rondelle de sécurité .....	4
11	0293357	Vis .....	4
12	0279437	Attache de cordon .....	2
13	0507151	Chariot .....	1
14	0294534	Rondelle d'espacement .....	4
15	0507379	Roue .....	2
16	9890104	Chapeau .....	2

**Español**

Artículo	Pieza #	Descripción	Cantidad
1	0507152	Mango .....	1
2	590-508	Pasador de rollo .....	2
3	9841504	Botón, a presión .....	2
4	590-504	Manga de asa .....	2
5	590-506	Rondana, plana .....	2
6	9885571	Tapón .....	4
7	13538	Pata .....	2
8	54458	Tornillo .....	2
9	856-921	Tornillo .....	4
10	856-002	Rondana de seguridad .....	4
11	0293357	Tornillo .....	4
12	0279437	Amarra .....	2
13	0507151	Carro .....	1
14	0294534	Espaciador .....	4
15	0507379	Rueda .....	2
16	9890104	Tapá .....	2

**Accessories • Accessoires •  
Accesorios****English**

Part No.	Description
0153xxx	Tungsten carbide flat tips
0153003	Tip guard, flat tip
0291004	Hose, whip end, 3' x 3/16"
0291003	Hose, whip end, 5' x 3/16"
0291002	Hose, wireless, 25' x 1/4"
0291000	Hose, wireless, 50' x 1/4"
0291006	Hose, wireless, 50' x 3/8"
0093896	Hose connector, 1/4" x 1/4" M
0088160	Hose connector, 3/8" x 3/8" M
0088161	Hose connector, 1/4" F x 3/8" M
0088162	Hose connector, 3/8" M x 1/4" M
0088156	Tee, two gun, 1/4"
0088157	Tee, two gun, 3/8"
0088154	Pressure gauge
0153043	Tip extension, 6"
0153042	Tip extension, 12"
0152001	Power roller
0152308	Roller cover, 3/8" Nap
0152307	Roller cover, 1/2" Nap
0152309	Roller cover, 3/4" Nap
0152310	Roller cover, 1-1/4" Nap
0152700	Adapter, power roller extension
0149018	G-09N Airless Spray Gun
0149017	G-10 Airless Spray Gun
0093930	Anti-seize compound
0152900	R-10 Telescoping Power Roller
13552	Flexible suction set, 55 gal./5 gal. convertible

**Français**

Article	Description
0153xxx	Embouts plats en carbure de tungstène
0153003	Protecteur de tête, embout plat
0291004	Flexible, extrémité fouet, 91 cm x 4,7 mm
0291003	Flexible, extrémité fouet, 1,52 m x 4,7 mm
0291002	Flexible, sans fil, 7,6 m x 6,3 mm
0291000	Flexible, sans fil, 15,2 mm x 6,3 mm
0201006	Flexible, sans fil, 15,2 mm x 9,5 mm
0093896	Raccord de flexible, 6,3 mm x 6,3 mm M
0088160	Raccord de flexible, 9,5 mm x 9,5 mm M
0088161	Raccord de flexible, 6,3 mm F x 9,5 mm M
0088162	Raccord de flexible, 9,5 mm M x 6,3 mm M
0088156	Deux pistolets en T, 6,3 mm
0088157	Deux pistolets en T, 9,5 mm
0088154	Jauge de pression
0153043	Rallonge d'embout, 15,2 cm
0153042	Rallonge d'embout, 30,4 cm
0152001	Rouleau motorisé
0152308	Couvercle de rouleau, 9,5 mm Nap
0152307	couvercle de rouleau, 12,7 mm Nap
0152309	Couvercle de rouleau, 19 mm Nap
0152310	Couvercle de rouleau, 32,2 mm Nap
0152700	Adapteur, rallonge de rouleau motorisé
0149018	Pistolet à pulvérisation sans air comprimé G-09N
0149017	Pistolet à pulvérisation sans air comprimé G-10N
0093930	Anti-grippant
0152900	Rouleau motorisé télescopique
13552	Flexible de succion, 55 gal./5 gal. convertible

## Español

Artículo	Descripción
0153xxx	Boquillas planas de carburo de tungsteno
0153003	Protector de boquilla, boquilla plana
0291004	Manguera, extremo de conexión flexible, 3' x 3/16"
0291003	Manguera, extremo de conexión flexible, 5' x 3/16"
0291002	Manguera, inalámbrica, 25' x 1/4"
0291000	Manguera, inalámbrica, 50' x 1/4"
0291006	Manguera, inalámbrica, 50' x 3/8"
0093896	Conector de manguera, 1/4" x 1/4"M
0088160	Conector de manguera, 3/8" x 3/8"M
0088161	Conector de manguera, 1/4"H x 3/8"M
0088162	Conector de manguera, 3/8"H x 1/4"M
0088156	Conexión en "T", dos pistolas, 1/4"
0088154	Manómetro
0153043	Extensión de boquilla, 6"
0153042	Extensión de boquilla, 12"
0152001	Rodillo eléctrico
0152308	Cubierta de rodillo, felpa de 3/8"
0152307	Cubierta de rodillo, felpa de 1/2"
0152309	Cubierta de rodillo, felpa de 3/4"
0152310	Cubierta de rodillo, felpa de 1-1/4"
0152700	Adaptador, extensión de rodillo eléctrico
0149018	Pistola de atomización sin aire de activación manual G-09N
0149017	Pistola de atomización sin aire de activación manual G-10N
0093930	Compuesto antiatascamiento
0152900	Rodillo de contracción R-10
13552	Equipo de succión flexible, convertible de 55 galones/5 galones

## Gun Filters • Filters du pistolet • Filtros para pistola

### English

Part No.	Application	Filter Type	Mesh Number	Color of Filter Body
0089960	Synthetic resin, enamels, clean varnishes, stains azures	Extrafine	0.084 mm	red
0089959	Base coat enamels, primer enamels, fillers, marking paints, textured enamels	Fine	0.140 mm	yellow
0089958	Emulsions, latex paints, acrylic paints	Medium	0.315 mm	white
0089957	Filler paints, large area surfaces	Coarse	0.560 mm	green

### Français

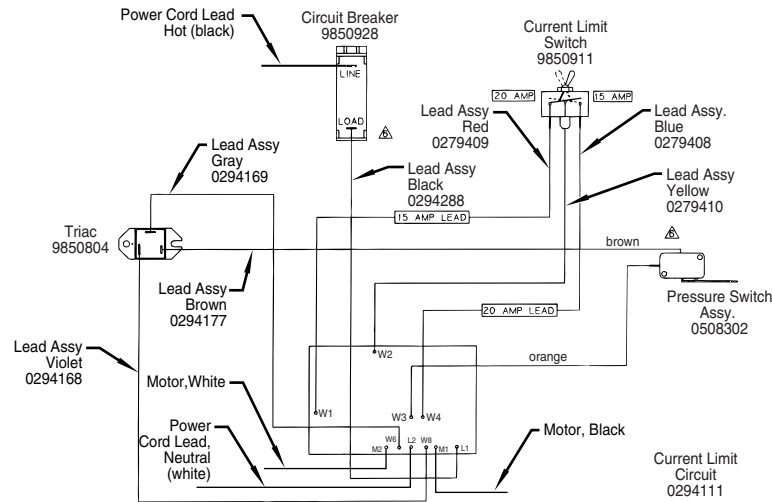
No de pièce	Utilisation	Type de filtre	No de maille	Couleur du corps du filtre
0089960	Résine synthétique, émail, vernis clair, teintures, azurs.	Extra-fin	0,084 mm	rouge
0089959	Émail de base, émail primaire, bouche-pores, peintures à marquer, émail texturé.	Fin	0,140 mm	jaune
0089958	Émulsions, peintures au latex, peintures acryliques	Moyen	0,315 mm	blanc
0089957	Peintures garnissantes, grandes surfaces	Grossier	0,560 mm	vert

### Español

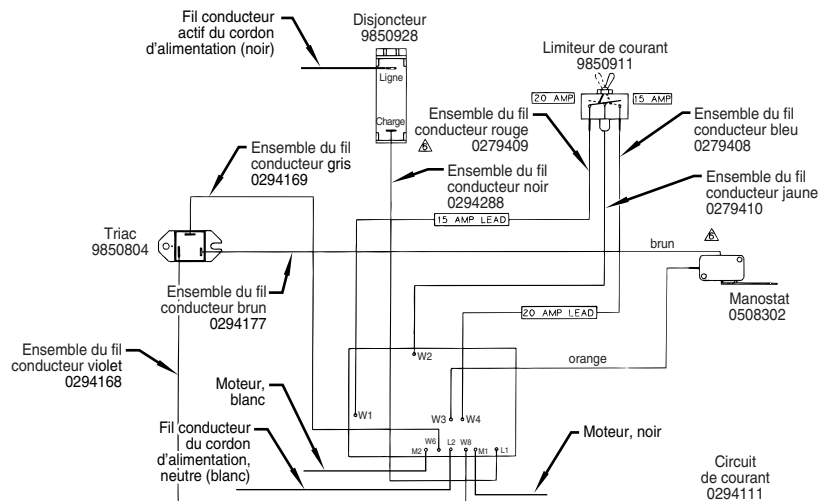
No. de pieza	Aplicación	Tipo de filtro	Número de malla	Color del cuerpo del filtro
0089960	Resina sintética, esmaltes, barnices claros, tintes, pinturas azures	Extrafino	0.084 mm	rojo
0089959	Esmaltes de revestimiento, esmaltes imprimadores, blancos de carga, pinturas para marcar, esmaltes de textura	Fino	0.140 mm	amarillo
0089958	Emulsiones, pinturas de látex, pinturas acrílicas	Mediano	0.315 mm	blanco
0089957	Pinturas de fondo, superficies de área extensa	Grueso	0.560 mm	verde

# Pressure Control Assembly Wiring Diagram • Schéma de câblage de l'ensemble de commande de pression • Diagrama de cableado del conjunto de la caja de control de presión

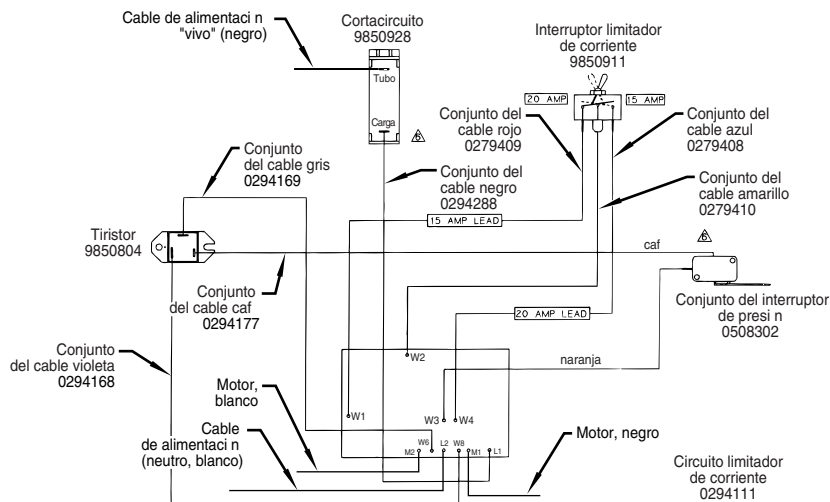
English



Français



Español



# Limited Warranty

## Commercial Airless Spray Equipment

### Two Year Warranty

Spray Tech, a division of Wagner Spray Tech Corporation ("Spray Tech"), warrants this product against defects in material and workmanship for a period of two years following the date of purchase by the original purchaser. During that period, Spray Tech will repair or replace any defective or worn-out component or, at Spray Tech's option, refund to the original purchaser the full purchase price for the product in exchange for the return of that product. However, Spray Tech will not replace or repair any fluid pump component on account of wear more than twice during the two year warranty period. This warranty does not cover consumable products such as filters and tips.

### Lifetime Warranty on Gear Trains, Electric Motors, and Gas Engines

Spray Tech warrants any gear train, electric motor (excluding brushes) and gas engine (excluding the clutch) in this product against defects in material and workmanship for the lifetime of the original purchaser. If Spray Tech determines that the foregoing warranty has been breached, Spray Tech will repair or replace the defective components without charge or, at Spray Tech's option, refund to the original purchaser the full purchase price for the product in exchange for the return of that product.

### Warranty Claims

Any request for repair or replacement pursuant to the warranties above must be accompanied by the return of the applicable parts, with transportation charges prepaid, to a service center authorized by Spray Tech or to Wagner Spray Tech Corporation, 1770 Fernbrook Lane, Minneapolis, MN 55447.

### Limitation of Remedies

THE REMEDIES SET FORTH ABOVE ARE THE EXCLUSIVE REMEDIES AVAILABLE FOR BREACH OF EXPRESS AND IMPLIED WARRANTIES. These remedies shall not be deemed to have failed of their essential purpose so long as Spray Tech is willing to repair or replace parts, or to refund the purchase price, as set forth above.

### What Is Not Covered By This Warranty

This warranty does not cover defects or damages caused by:

- the use or installation of repair or replacement parts or accessories not manufactured by Spray Tech;
- repair performed by anyone other than a Spray Tech Authorized Service Center; or
- abuse, misuse, negligence, accident, faulty installation or tampering in a manner which impairs normal operation.

This warranty also does not cover equipment and accessories supplied to Spray Tech from an original equipment manufacturer, including but not limited to hoses, tips, and accessories. Spray Tech will provide the purchaser with copies of the original equipment manufacturer's express warranties provided to Spray Tech along with the name and address of the appropriate manufacturer.

### Limitation of Remedies

IN NO CASE SHALL SPRAY TECH BE LIABLE FOR ANY INCIDENTAL, SPECIAL OR CONSEQUENTIAL DAMAGES OR LOSS, INCLUDING TRANSPORTATION COSTS, WHETHER SUCH DAMAGES ARE BASED UPON A BREACH OF EXPRESS OR IMPLIED WARRANTIES, BREACH OF CONTRACT, NEGLIGENCE, STRICT TORT, OR ANY OTHER LEGAL THEORY.

### Disclaimer of Implied Warranties

THE FOREGOING WARRANTIES ARE IN LIEU OF ALL OTHER WARRANTIES, EXPRESS OR IMPLIED, INCLUDING BUT NOT LIMITED TO THE IMPLIED WARRANTIES OF MERCHANTABILITY AND FITNESS FOR A PARTICULAR PURPOSE.

### No Ability To Transfer

This warranty is extended to the original purchaser only and is not transferable.

#### SprayTECH 30-Day Satisfaction Guarantee

If, within a 30-day period from the date of purchase, you are not totally satisfied with a SprayTECH/CAPSpray unit, you may return it for full credit toward another SprayTECH or CAPSpray product of equal or greater value.

## Patents

These products are covered by one or more of the following U.S. patents:

5,234,592	D344,832	5,318,314	5,252,210	5,228,842	5,192,425	5,099,183
5,346,037	5,494,199	5,472,318	5,435,697	5,211,611	5,671,656	D384,676
5,282,722	4,992,633	5,725,364	5,769,321	5,848,566	D376,637	D387,414
D382,938	3,963,180	4,025,045	D405,159	D412,965	5,505,381	5,765,753
5,887,793	5,893,522					

### SprayTECH®

1770 Fernbrook Lane  
Minneapolis, Minnesota 55447  
Telephone 1-800-292-4637

# Garantie limitée

## Équipement commercial de pulvérisation sans air

### Garantie de deux ans

Spray Tech, une division de Wagner Spray Tech Corporation ("Spray Tech") garantit ce produit contre les défauts de matière et de main-d'oeuvre pour une période de deux ans suivant la date d'achat par le premier acheteur. Pendant cette période, Spray Tech s'engage à réparer ou à remplacer tout composant défectueux ou usé ou, selon décision de Spray Tech, à rembourser au premier acheteur le prix d'achat entier du produit en échange du retour de ce produit. Cependant, Spray Tech ne remplacera pas ni ne réparera tout composant de la pompe pour cause d'usure, plus de deux fois pendant la période de garantie de deux ans. Cette garantie ne couvre pas les produits d'usure normale tels que les filtres et les buses.

### Garantie à vie pour les trains d'engrenage, les moteurs électriques et les moteurs à gaz.

Spray Tech garantit tout train d'engrenage, tout moteur électrique (à l'exclusion des balais) et tout moteur à gaz (à l'exclusion de l'embrayage) contenu dans ce produit contre les défauts de matière et de main-d'oeuvre pour toute la durée de vie de l'achat par l'acheteur original. Au cas où Spray Tech constate que la garantie ci-dessus a été transgressée, Spray Tech s'engage à réparer ou à remplacer le composant défectueux sans frais ou, selon décision de Spray Tech, à rembourser au premier acheteur le prix d'achat entier du produit en échange du retour de ce produit.

### Réclamations sous garantie

Toute demande de réparation ou de remplacement en application des garanties ci-dessus doit être accompagnée du retour des pièces incriminées, avec frais de transport prépayés, à un centre de service agréé par Spray Tech ou à Wagner Spray Tech Corporation, 1770 Fernbrook Lane, Minneapolis, MN 55447.

### Limitation des recours

LES RECOURS INDIQUÉS CI-DESSUS SONT LES RECOURS EXCLUSIFS EN CAS D'INEXÉCUTION DES GARANTIES EXPRESSES ET IMPLICITES. Ces recours ne seront pas réputés comme ayant transgressé leur objet essentiel aussi longtemps que Spray Tech accepte de réparer ou de remplacer les pièces ou de rembourser le prix d'achat, tel qu'indiqué ci-dessus.

### Ce qui n'est pas couvert par cette garantie

Cette garantie ne couvre pas les défauts ou les dommages provoqués par :

- l'utilisation ou le montage de pièces réparées ou de pièces de remplacement ou d'accessoires non fabriqués par Spray Tech ;
- toute réparation non effectuée par un Centre de Service agréé par Spray Tech; ou
- tout abus, mauvaise utilisation, négligence, accident, montage défectueux ou tentative d'altération portant atteinte au fonctionnement normal.

De même, cette garantie ne couvre pas les équipements et les accessoires fournis à Spray Tech par un fabricant d'équipements originaux, y compris mais non limité aux flexibles, buses et accessoires. Spray Tech fournira à l'acheteur des copies des garanties expresses du fabricant d'équipements originaux remises à Spray Tech, ainsi que le nom et l'adresse du fabricant approprié.

### Limitation des recours

EN AUCUN CAS SPRAY TECH NE SERA TENU POUR RESPONSABLE DES DOMMAGES OU PERTES FORTUITS, PARTICULIERS OU CONSÉCUTIFS, Y COMPRIS LES FRAIS DE TRANSPORT, QUE DE TELS DOMMAGES SOIENT BASÉS SUR L'INEXÉCUTION DES GARANTIES EXPRESSES OU IMPLICITES, L'INEXÉCUTION DU CONTRAT, UNE NÉGLIGENCE, UNE RESPONSABILITÉ DÉLICTEUELLE STRICTE OU TOUT AUTRE PRINCIPE DE DROIT.

### Renonciation aux garanties implicites

LES GARANTIES CI-DESSUS REMPLACENT TOUTE AUTRE GARANTIE EXPRESSE OU IMPLICITE, Y COMPRIS MAIS NON LIMITÉ AUX GARANTIES IMPLICITES DE COMMERCIALISABILITÉ ET DE CONFORMITÉ A UN USAGE PARTICULIER.

### Interdiction de transmission

Cette garantie est accordée uniquement à l'acheteur original et elle n'est pas transmissible.

### Garantie de satisfaction 30 jours de SprayTECH

Si, au cours des 30 jours suivant l'achat, vous n'êtes pas totalement satisfait d'un appareil SprayTECH/CAPSpray, vous pouvez le renvoyer et obtenir un crédit complet contre un autre produit SprayTECH ou CAPSpray de valeur égale ou supérieure.

## Brevets

Ces produits sont protégés par un ou plusieurs des brevets (U.S.A.) suivants :

5,234,592	D344,832	5,318,314	5,252,210	5,228,842	5,192,425	5,099,183
5,346,037	5,494,199	5,472,318	5,435,697	5,211,611	5,671,656	D384,676
5,282,722	4,992,633	5,725,364	5,769,321	5,848,566	D376,637	D387,414
D382,938	3,963,180	4,025,045	D405,159	D412,965	5,505,381	5,765,753
5,887,793	5,893,522					

### **SprayTECH®**

1770 Fernbrook Lane  
Minneapolis, Minnesota 55447  
Telephone 1-800-292-4637

# Garantía Limitada

## Equipo Rociador Comercial Sin Aire

### Garantía de Dos Años

Spray Tech, una división de Wagner Spray Tech Corporation ("Spray Tech"), garantiza este producto contra defectos de materiales y de fabricación por un período de dos años a contar de la fecha de adquisición por el comprador original. Durante este período, Spray Tech reparará o reemplazará cualquier componente defectuosa o desgastada o, por decisión de Spray Tech, devolverá el total del precio pagado por el producto a su comprador original, a cambio de la devolución del producto. Sin embargo, Spray Tech no reemplazará o reparará ningún componente de la bomba de fluido a causa del desgaste más de dos veces durante el período de garantía de dos años. Esta garantía no cubre productos de consumo tales como filtros y puntas.

### Garantía de por vida en trenes de engranajes, motores eléctricos y motores a gas

Spray Tech garantiza de por vida, al comprador original, los trenes de engranaje, motores eléctricos (excluyendo las escobillas) y motores a gas (excluyendo el embrague) de este producto contra defectos de material y fabricación. Si Spray Tech determina que la garantía mencionada ha sido quebrantada, reparará o reemplazará sin costo las componentes defectuosas o, en su defecto podrá decidir devolver al comprador original el total del precio de compra del producto a cambio de la devolución de él.

### Reclamos de garantía

Cualquier solicitud de reparación o reemplazo de acuerdo con la garantía precedente deberá ser acompañada por el envío de las piezas defectuosas correspondientes, incluyendo el pago previo de los costos de transporte, a un centro de servicio autorizado por Spray Tech o a Wagner Spray Tech Corporation, 1770 Fernbrook Lane, Minneapolis, MN 55447.

### Limites de recursos

LOS RECURSOS INDICADOS ANTERIORMENTE SON LOS UNICOS RECURSOS DISPONIBLES ANTE EL INCUMPLIMIENTO DE GARANTIAS EXPRESAS E IMPLICITAS. Estos recursos no deberán considerarse como faltantes a su propósito esencial mientras Spray Tech esté dispuesta a reparar o reemplazar las partes, o a devolver el precio de compra, como se indica más arriba.

### Qué no está Cubierto por esta Garantía

Esta garantía no cubre defectos o daños causados por:

- El empleo o instalación de partes de repuesto o reemplazo o accesorios no fabricados por Spray Tech;
- reparaciones realizadas por cualquier servicio distinto al Centro de Servicio Autorizado por Spray Tech; o
- abuso, mal uso, negligencia, accidente, instalación defectuosa, o manipulación de manera que deteriora la operación normal.

Esta garantía tampoco cubre los equipos y accesorios suministrados a Spray Tech por otro fabricante de equipos originales, incluyendo pero no limitadas a las mangueras, puntas y accesorios. Spray Tech proveerá al comprador de copias de las garantías entregadas a Spray Tech por el fabricante de equipos originales, junto con el nombre y dirección del fabricante correspondiente.

### Limites de recursos

EN NINGUN CASO SERA SPRAY TECH RESPONSABLE POR NINGUN DAÑO O PERDIDA ACCIDENTAL, ESPECIAL O CONSECUCIONAL, INCLUYENDO LOS COSTOS DE TRANSPORTE, SI TALES DAÑOS SE BASAN EN UN INCUMPLIMIENTO

DE GARANTIAS EXPRESAS O IMPLICITAS, INCUMPLIMIENTO DE CONTRATOS, NEGLIGENCIA, AGRAVIO Estricto, O CUALQUIER OTRA VERSION LEGAL.

### Renuncia de Garantías Implícitas

LAS GARANTIAS ANTERIORES SUBSTITUYEN A TODAS LAS OTRAS GARANTIAS, EXPRESAS O IMPLICITAS, INCLUYENDO PERO NO LIMITADAS A LAS GARANTIAS IMPLICITAS DE COMERCIALIZACION E INTERPRETACION PARA UN PROPOSITO PARTICULAR.

### Garantía Intransferible

Esta garantía se extiende sólo al comprador original y no es transferible.

### Garantía de Satisfacción SprayTECH por 30-Días

Si, dentro de un período de 30-días de la fecha de compra, usted no está totalmente satisfecho con una unidad SprayTECH/CAPSpray, puede regresarla y recibir un crédito total hacia otro producto SprayTECH o CAPSpray de igual o mayor valor.

## Patentes

Estos productos están protegidos por una de las siguientes patentes (U.S.A.):

5,234,592	D344,832	5,318,314	5,252,210	5,228,842	5,192,425	5,099,183
5,346,037	5,494,199	5,472,318	5,435,697	5,211,611	5,671,656	D384,676
5,282,722	4,992,633	5,725,364	5,769,321	5,848,566	D376,637	D387,414
D382,938	3,963,180	4,025,045	D405,159	D412,965	5,505,381	5,765,753
5,887,793	5,893,522					

### SprayTECH®

1770 Fernbrook Lane  
Minneapolis, Minnesota 55447  
Telephone 1-800-292-4637



## Free Manuals Download Website

<http://myh66.com>

<http://usermanuals.us>

<http://www.somanuals.com>

<http://www.4manuals.cc>

<http://www.manual-lib.com>

<http://www.404manual.com>

<http://www.luxmanual.com>

<http://aubethermostatmanual.com>

Golf course search by state

<http://golfingnear.com>

Email search by domain

<http://emailbydomain.com>

Auto manuals search

<http://auto.somanuals.com>

TV manuals search

<http://tv.somanuals.com>