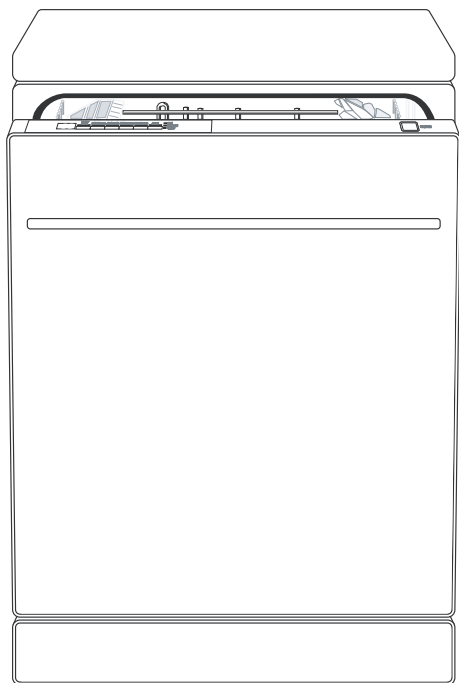


JLDWS 907 Dishwasher

Instruction manual



John Lewis

Important safety information

It is most important that this instruction book should be retained with the appliance for future reference. Should the appliance be sold or transferred to another owner, or should you move house and leave the appliance, always ensure that the book is supplied with the appliance in order that the new owner can get to know the functioning of the appliance and the relevant warnings.

These warnings have been provided in the interest of safety. You **MUST** read them carefully before installing or using the appliance. If you are unsure of the meanings of these warnings contact the John Lewis branch from which you purchased the appliance.



In the interest of your safety and to ensure the correct use, before installing and first using the appliance, read this user manual carefully, including its hints and warnings. To avoid unnecessary mistakes and accidents, it is important to ensure that all people using the appliance are thoroughly familiar with its operation and safety features. Save these instructions and make sure that they remain with the appliance if it is moved or sold, so that everyone using it through its life will be properly informed on appliance use and safety. If you are unsure of the meanings of these warnings contact the John Lewis branch from which you purchased the appliance.

machine. If your dishwasher is damaged contact your supplier.

- All packaging must be removed before use.
- Any electrical and plumbing work required to install this appliance must be carried out by a qualified and competent person.
- For safety reasons it is dangerous to alter the specifications or attempt to modify this product in any way.
- Never use the dishwasher if the electrical supply cable and water hoses are damaged; or if the control panel, work top or plinth area are damaged such that the inside of the appliance is freely accessible. Contact your local repair agent, in order to avoid hazard.
- All sides of the dishwasher must never be drilled to prevent damage to hydraulic and electric components.

Installation

- This appliance is heavy. Care should be taken when moving it.
- Check your dishwasher for any transport damage. Never connect a damaged



For electrical and water connection carefully follow the instructions given in the specific paragraphs.

Child safety

- This appliance is designed to be operated by adults. Do not allow children to use the dishwasher unsupervised.
- Keep all packaging well away from children. There is a risk of suffocation.
- Keep all detergents in a safe place out of children's reach.
- Keep children well away from the dishwasher when the door is open.

Correct use

- This dishwasher is only intended for washing household utensils suitable for machine washing.
- Do not put any solvents in the dishwasher. This could cause an explosion.
- Knives and other items with sharp points must be loaded in the cutlery basket with their points down or placed in a horizontal position in the upper basket.
- Only use products (detergent, salt and rinse aid) suitable for dishwashers.
- Avoid opening the door whilst the appliance is in operation, hot steam may escape.
- Do not take any dishes out of the dishwasher before the end of the washing cycle.
- After use, isolate the appliance from the power supply and turn off the water supply.
- This product should be serviced only by an authorized service engineer, and only genuine spare parts should be used.
- Under no circumstances should you attempt to repair the machine yourself. Repairs carried out by inexperienced persons could cause injury or serious malfunctioning. Contact your local repair agent. Always insist on genuine spare parts.

General safety

- Dishwasher detergents can cause chemical burns to eyes, mouth and throat. Could endanger life! Comply with the safety instructions of the dishwasher detergent manufacturer.
- The water in your dishwasher is not for drinking. Detergent residues may still be present in your machine.
- Ensure that the door of the dishwasher is always closed when it is not being loaded or unloaded. In this way you will avoid anybody tripping over the open door and hurting themselves.
- Do not sit or stand on the open door.

Maintenance and cleaning

- For information on maintenance and cleaning your dishwasher see the specific chapter in this instruction manual.

Service

- This product should be serviced by an authorized service engineer, and only genuine spare parts should be used.



Ecological hints

To save water and energy and help protect the environment, we recommend that you follow these hints:


- Ensure that the water softener is correctly adjusted.
- Do not prewash under running water.
- Select the wash programme to suit the nature and degree of the soiling on the dishes.
- Do not use more detergent, dishwasher salt and rinse aid than is recommended in these operating instructions and by the manufacturer of the respective product.
- **Delay start:** When possible programme your dishwasher to run over night, to

enable, for example, the use of economical overnight electricity tariffs.

- **Automatic wash programme:** This machine is fitted with a turbidity sensor which intelligently adjusts the temperature and rinsing cycles during the wash programme, depending on the degree of soiling on the dishes. This helps to reduce energy and water consumption on lightly soiled loads.

Environmental information

The packaging materials are environmentally friendly and can be recycled. The plastic components are identified by markings, e.g. >PE<, >PS<, etc. Please dispose of the packaging materials in the appropriate container at the community waste disposal facilities.

The symbol  on the product or on its packaging indicates that this product may not be treated as household waste. Instead it should be taken to the appropriate collection point for the recycling of electrical and electronic equipment. By ensuring this product is disposed of correctly, you will help prevent potential negative consequences for the environment and human health, which could otherwise be caused by inappropriate waste handling of this product. For more detailed information about recycling of this product, please contact your local council, your household waste disposal service or the shop where you purchased the product.



When a unit is no longer being used:

- Pull the plug out of the socket.
 - Cut off the cable and plug and dispose of them.
 - Dispose of the door catch. This prevents children from trapping themselves inside and endangering their lives.
-

Contents

For the user

Important safety information	2
Description of the appliance	6
The control panel	7
Indicator lights	7
Setting mode	8
Washing programmes	9
When the dishwasher is first installed	11
The water softener	11
Adjusting the water softening system	12
Filling with dishwasher salt	12
Filling with rinse aid	13
Adjusting the rinse aid dosage	14
Daily use	15
Loading cutlery and dishes	15
Using the baskets	16
Lower basket	16
Loading the lower basket	16
Cutlery basket	17
Upper basket	18
Loading the upper basket	18
Adjusting the upper basket	19
Use of detergent	19
Fill with detergent	19
Multi tab function	20
Maintenance and cleaning	21
Cleaning the water intake filter	21
Cleaning the spray arms	21
Cleaning the spray arm, travelling version	21
Cleaning the filters	22
External cleaning	22
Internal cleaning	22
Prolonged periods of non-operation	22
Frost precautions	22
Moving the machine	22
Something not working	23
Troubleshooting minor problems	25

For the installer

Technical data	26
Installation	26
Unpacking	26
Fitting under a counter	26
Levelling	27
Water connections	28
Water inlet connection	28
Water drain connection	29
Electrical connection	30
Fuse replacement	30
Repairs - after sales service	31
Spare parts	31

Guide to use the instruction manual

The following symbols will be found in the text to guide you throughout the instructions:



Safety Instructions

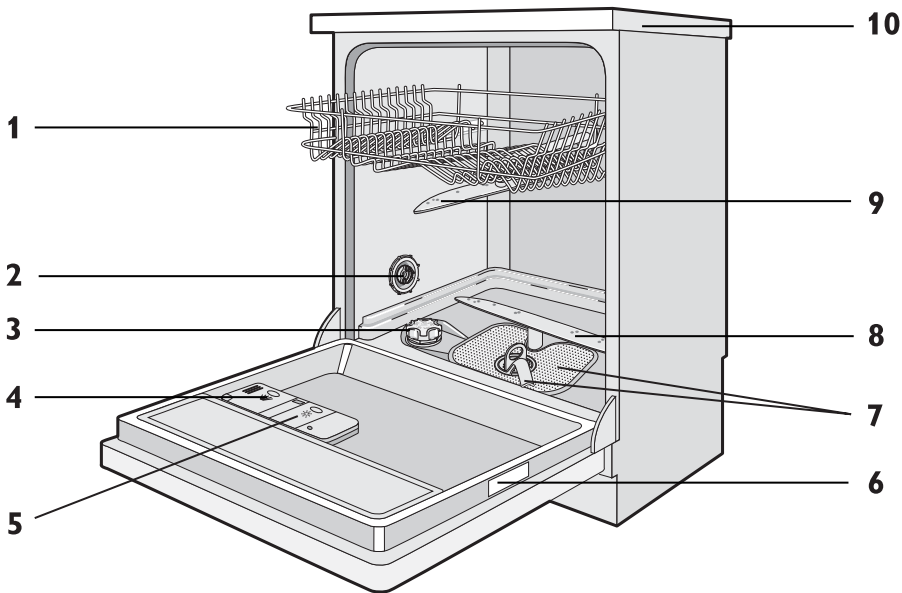


Hints and Tips



Environmental Information

Description of the appliance



1. Upper basket

2. Water hardness dial

3. Salt container

4. Detergent dispenser

5. Rinse aid dispenser

6. Rating plate

7. Filters

8. Lower spray arm

9. Upper spray arm

10. Worktop






Setting mode

To select the most suitable programme for the dishes to be washed refer to the table below, which indicates the most appropriate programme according to dish type and degree of soiling.

After using the table to identify the most appropriate washing programme:

- press the ON/OFF button (1) and wait for the PROGRAMME INDICATOR LIGHT (2) to illuminate;

- keep pressing the PROGRAMME SELECTION button (3) until the indicator light corresponding to the desired programme illuminates;
- close the door; after about 2" the programme will start. While it is in progress, the relative LIGHT will flash (indicating that the programme is being executed).

PROGRAMME, NUMBER & SYMBOL	LOAD CROCKERY AND CUTLERY	PROGRAMME PROGRESS	DURATION	CONSUMPTION	
			MINUTES (2)	WATER LITRES (1)	POWER KWh (2)
1  Rinse hold	Pans and dishes awaiting a further wash	Cold prewash	9'	5	0,02
2  Quick wash	Delicate dishes, with light dirt.	Wash at 45°C Cold rinse Rinse at 70°C Dry	59'	12	0,90
3  Economy 50° *	Dishes with normal dirt, washed immediately after use.	Wash at 55°C Cold rinse Rinse at 66°C Dry	175'	**	**
4  Auto	Dishes with normal dirt, even with dried-o residues.	When the "AUTO" programme is selected, the dishwasher recognises the type of dirt and automatically adjusts the washing parameters as appropriate.			
5  Intensive 70°	Very dirty pans and dishes (except delicate items)	Prewash at 45°C Wash at 70°C 2 cold rinses Rinse at 70°C Dry	105'	20	1,50

Only run the soak programme with half loads.

The "Multi tab" OPTION (6) option cannot be used with the soak programme.

The "INTENSIVE" programme terminates with an anti-bacteria rinse that ensures a further reduction in the bacteria level. If the temperature falls during this stage of the programme (e.g. because the door is opened or due to a power blackout), the programme lights (2) flash to warn that the anti-bacteria effect is not guaranteed.

(*) Reference programme as per EN 50242 standard.

(**) See energy label.

(1) Average power consumption with the softener set on level 2.

(2) The cycle duration and power consumption may vary according to the water and room temperatures, and the type and amount of dishes.



The washing cycle will not take place if the dishwasher door is left open or not properly closed.

Washing programmes



Before starting a washing programme make sure that:

- The water supply tap is open.
- The correct amount of detergent has been added to the dispenser.
- The baskets have been correctly loaded.
- The spray arms are able to rotate freely and without obstruction.
- The dishwasher door is securely closed.

"Multi tab" option button (available in all programmes except the soak programme)

By pressing the button (6) you activate the "Multi tab" option, confirmed when the relative light comes on. This option has been studied for the use of dishwashing powder or tablets with integrated substances in place of regenerating salt or rinse-aid known on the market as "3 in 1" or "triple action" products; in this case the dishwasher will use the product in an optimal way avoiding salt and rinse-aid consumption, which could already be found in the dishwasher.



When selecting the "Multi tab" button, it is normal that the salt and rinse-aid lights remain on, if their containers are empty.

Delaying the programme (available in all programmes except the soak programme)

The PROGRAMME DELAY button (8) can be pressed to delay the start of the programme by up to 9 hours. This means that the dishwasher can be operated at the time of day of your choice. Press the button

severaltimes in succession and the display will show the delay with which the appliance will start, beginning from 9 hours.

Cancelling the current programme

- To cancel the currently selected programme, open the door and hold down the PROGRAMME SELECTION (3) button for a few seconds until the indicator lights for programmes 4 and 5 illuminate simultaneously (the word "end" is displayed on the window).



- Close the door.
- After approximately 1 minute the dishwasher will advance to the end of cycle.

Changing the programme

To change the programme in progress, simply open the door and select a new programme. When the door is closed the dishwasher will automatically select the new programme.

i If the door has to be opened while washing is in progress, the programme will be interrupted. The relative light will keep flashing and a beeper will signal that the cycle has not been completed. You must wait about 1 minute before closing the door to restart the programme. When the door is closed the programme will continue from where it was interrupted. This operation should only be carried out if strictly necessary, because it might cause problems in execution of the programme.

End of cycle

At the end of the washing cycle the dishwasher gives a short acoustic signal and the programme indicators nr 4 and 5 start blinking (the word "end" is displayed on the window).



To switch off the dishwasher, open the door and press the ON/OFF button (1).

Removing the dishes

At the end of the washing programme, wait at least 20 minutes before removing the dishes, to allow them to cool down. To prevent any water droplets on the upper basket from falling on the dishes in the lower basket, it is advisable to unload the lower basket first, and then the upper basket.



To save on energy! ... and protect the environment

- Always try to run the dishwasher fully loaded.
- Do not wash the dishes in running water.
- Use the washing programme that is most appropriate for each type of load.
- Do not carry out any preliminary rinsing.
- If available, connect the dishwasher to a hot water supply up to 60°C.



To cut down on detergent consumption! ... and protect the environment

The phosphates contained in dishwasher detergents are harmful to the environment. To avoid using excessive amounts of detergent and to save on electricity, observe the following:

- separate the more delicate items from dishes that are more resistant to aggressive detergents and high temperatures;
- do not pour the detergent directly on the dishes.

When the dishwasher is first installed

Before using your dishwasher for the first time:

- Ensure that the electrical and water connections comply with the installation instructions
- Remove all packaging from inside the appliance
- Set the water softener level
- Pour 1 litre of water into the salt container and then fill with dishwasher salt
- Fill the rinse aid dispenser.



If you want to use combi detergent tablets such as "3 in 1", "4 in 1", "5 in 1" etc... set the Multi tab function (see "Multi tab function").

The water softener

The dishwasher is equipped with a water softener designed to remove minerals and salts from the water supply, which would have a detrimental or adverse effect on the operation of the appliance.

The higher the content of these minerals and salts, the harder your water is. Water hardness is measured in equivalent scales, Clarke degrees, French degrees (°TH) and mmol/l (millimol per litre - international unit for the hardness of water).

The softener should be adjusted according to the hardness of the water in your area. Your local Water Authority can advise you on the hardness of the water in your area.

Water hardness			Adjusting the water hardness setting	Use of salt
Clarke	°f	mmol/l		
57-70	81-100	8,1-10,0	level 5	yes
43-56	61-80	6,1-8,0	level 4	yes
29-42	41-60	4,1-6,0	level 3	yes
18-28	26-40	2,6-4,0	level 2	yes
6-17	8-25	0,8-2,5	level 1	yes
<5	<7	<0,7	level 1	no

Adjusting the water softening system

(available in all programmes except the soak programme)

i For the setting below to be possible, a washing programme other than the soak programme must be set.

Press the PROGRAMME DELAY button (8) and keep it pressed until the preset value appears followed by a full stop (normally 3.). Release the button then press it again in succession to display the value required, referring to the table.

The 6 setting levels available will appear in this order:

3., 4., 5., 0., 1., 2..

When the value required appears on the display, release the button; after 5 seconds the system automatically returns to setting of the programme delay, and the setting will be made with the chosen value.

i The display shows the water hardness setting and the programme delay. The dot (.) after the number indicates that the water hardness setting is being displayed. If the dot (.) does not appear, the programme delay is being displayed.

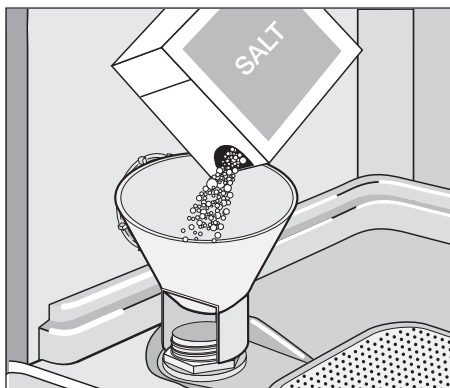
Filling with dishwasher salt



Warning! Only use salt specifically designed for use in dishwashers. All other types of salt not specifically designed for use in a dishwasher, especially table salt, will damage the water softener. Only fill with salt just before starting one of the complete washing programmes. This will prevent any grains of salt or salty water, which may have been spilt, remaining on the bottom of the machine for any period of time, which may cause corrosion.

To fill:

1. Open the door, remove the lower basket and unscrew the cap of the salt container by turning it anticlockwise.
2. Pour 1 litre of water into the container **(this is necessary only before filling with salt for the first time)**.
3. Using the funnel provided, pour in the salt until the container is full.



4. Replace the cap making sure that there is no trace of salt on the screw thread or on the gasket.

5. Replace the cap tightly turning it clockwise until it stops with a click.

i Do not worry if water overflows from the unit when filling with salt, this is quite normal.

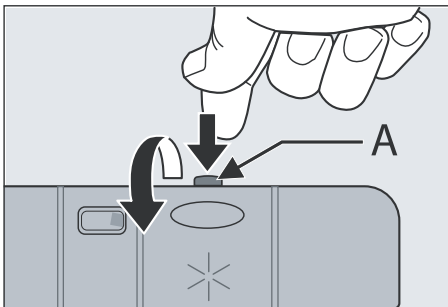
i The salt indicator light on the control panel can remain on for 2-6 hours after the salt has been replenished, assuming the dishwasher remains switched on. If you are using salt that takes longer to dissolve then this can take longer. The operation of the machine is not affected.

Filling with rinse aid

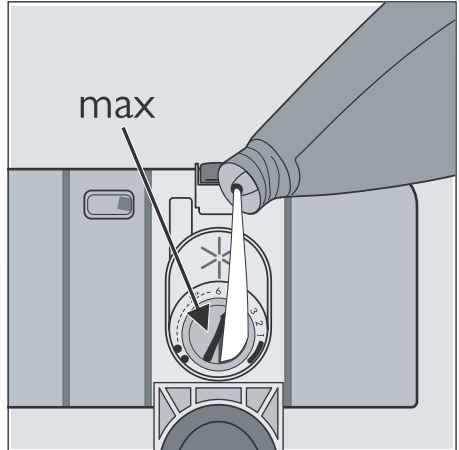
! **Warning!** Only use branded rinse aid for dishwashers. Never fill the rinse aid dispenser with any other substances (e.g. dishwasher cleaning agent, liquid detergent). This would damage the appliance.

i Rinse aid ensures thorough rinsing, and spot and streak free drying. Rinse aid is automatically added during the last rinse.

1. Open the container by pressing the release button **(A)**.



2. Add the rinse aid in the container. The maximum level for filling is indicated by "max". The dispenser holds about 110 ml of rinse aid, which is sufficient for between 16 and 40 dishwashing cycles, depending upon the dosage setting.

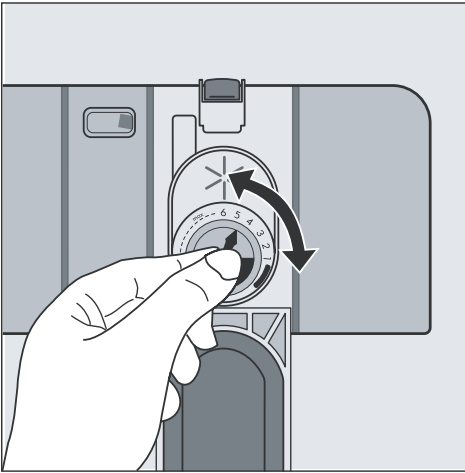


3. Ensure that the lid is closed after every refill.

i Clean up any rinse aid spilt during filling with an absorbent cloth to avoid excess foaming during the next wash.

Adjusting the rinse aid dosage

According to the finish and drying results obtained, adjust the dose of rinse aid by turning the dispenser's selector to the desired position (min-max): the amount of rinse aid dispensed is proportional to the selector position.



The dose is factory set in medium position. Increase the dose if there are drops of water or lime spots on the dishes after washing.

Reduce it if there are sticky whitish streaks on the dishes or a bluish film on glassware or knife blades.

Daily use

- Check if it's necessary to refill with dishwasher salt or rinse aid.
- Open the door and slide out the baskets to load the dishes.
- Load cutlery and dishes into the dishwasher.
- Fill with dishwasher detergent.
- Select a wash programme suitable for the cutlery and dishes.
- Start the wash programme.

Loading cutlery and dishes

Sponges, household cloths and any object that can absorb water may not be washed in the dishwasher.

- Before loading the dishes, you should:
 - Remove all left over food and debris.
 - Soften remnants of burnt food in pans

- When loading the dishes and cutlery, please note:
 - Dishes and cutlery must not impede the rotation of the spray arms.
 - Load hollow items such as cups, glasses, pans, etc. with the opening downwards so that water cannot collect in the container or a deep base.
 - Dishes and items of cutlery must not lie inside one another or cover each other.
 - To avoid damage to glasses, they must not touch.
 - Lay small objects in the cutlery basket.
- Plastic items and pans with non stick coatings have a tendency to retain water drops; these items will not dry as well as porcelain and steel items.
- Light items (plastic bowls etc.) must be loaded in the upper basket and arranged so they do not move.

For washing in the dishwasher the following cutlery and dishes	
are not suitable:	are of limited suitability:
<ul style="list-style-type: none"> • Cutlery with wooden, horn, china or mother-of-pearls handles. • Plastic items that are not heat resistant. • Older cutlery with glued parts that are not temperature resistant. • Bonded cutlery items or dishes. • Pewter or copper items. • Lead crystal glass. • Steel items prone to rusting. • Wooden platters. • Items made from synthetics fibres. 	<ul style="list-style-type: none"> • Only wash stoneware in the dishwasher if it is specially marked as being dishwasher-safe by the manufacturer. • Glazed patterns may fade if machine washed frequently. • Silver and aluminium parts have a tendency to discolour during washing: Residues, e.g. egg white, egg yolk and mustard often cause discolouring and staining on silver. Therefore always clean left-overs from silver immediately, if it is not to be washed straight after use.

Using the baskets

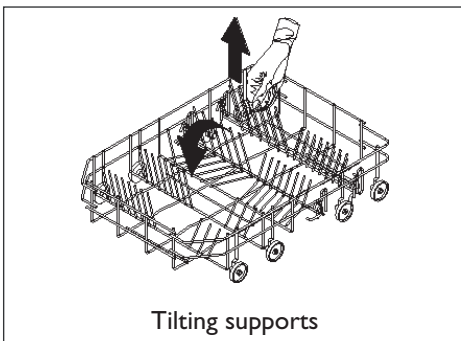
The dishwasher has a capacity of 10 place-settings, including serving dishes.

Lower basket

The lower basket receives the full force of the lower spray arm, and should therefore be used for the "toughest" items with a heavier degree of soiling.

All types and combinations of loads are permitted, provided that the dishes, pots and pans are arranged with all the soiled surfaces exposed to the water jets coming from the bottom.

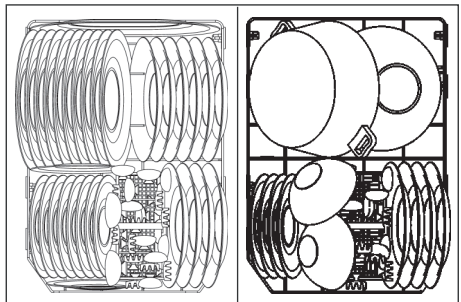
The bottom basket is fitted with supports which can be lowered to make better use of the space available.



Loading the lower basket

Carefully load flat plates, soup plates, dessert and serving dishes, positioning them vertically. Pots, pans and their covers must be loaded upside down. When loading soup plates and dessert bowls, be sure to leave a gap between them.

Loading examples:

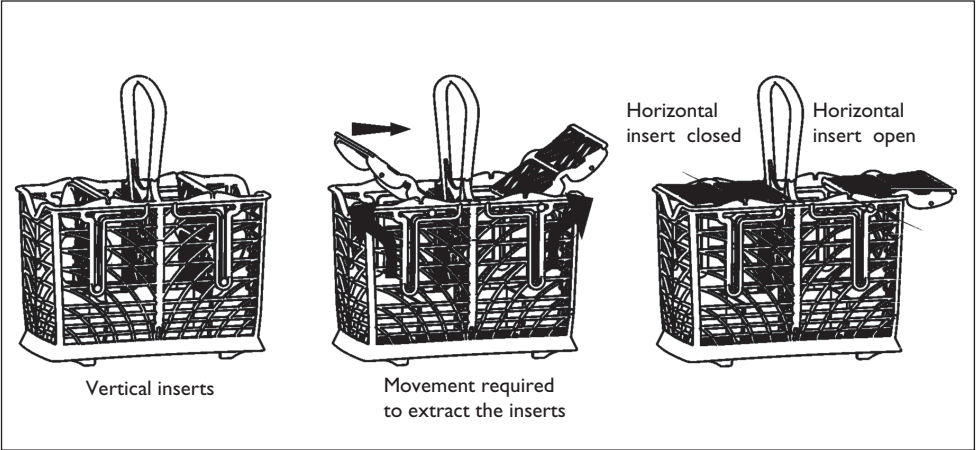


Cutlery basket

The cutlery should be arranged in an orderly manner inside the basket, with the handles pointing downwards. Take care during loading to avoid injury from the knife blades. The basket is suitable for all types of cutlery, except those long enough to interfere with the upper spray arm. Ladles, wooden spoons and cooking knives can be

placed in the upper basket, **making sure that the knife blades do not protrude from the basket.**

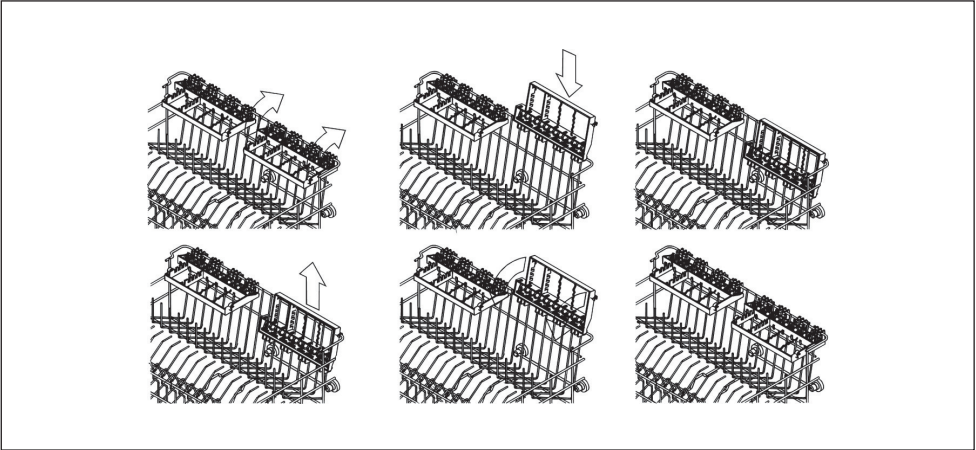
The cutlery basket features an **exclusive system of independent sliding tip-up supports**, offering a choice of possible combinations to allow optimum use of the space available.



Upper basket

It is recommended to load the upper basket with small- or medium-sized items such as glasses, small plates, tea or coffee cups, shallow bowls and light objects made from heat resistant plastic. If the upper basket is used in the lowermost position, it can also

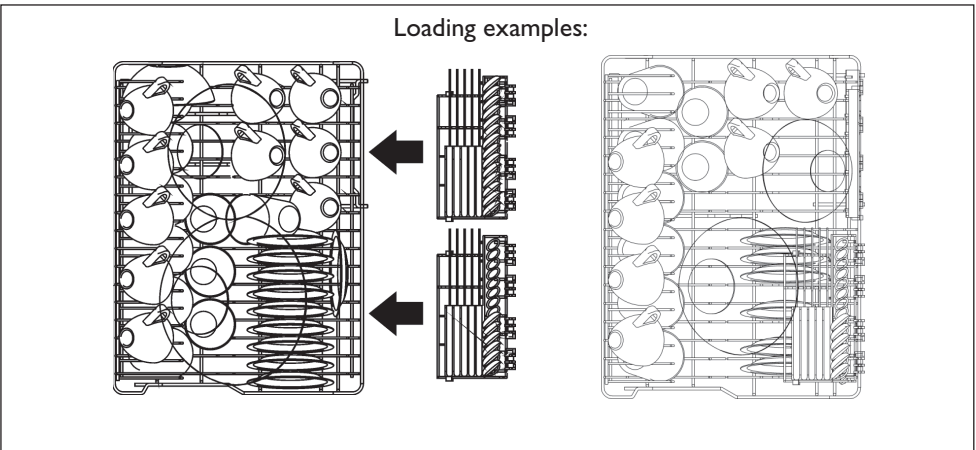
be loaded with serving dishes, provided they are only slightly soiled. The basket is equipped with two tip-up cutlery supports which can be raised or lowered as required. See illustrations below.



Loading the upper basket

Load plates facing forward; cups, bowls etc. must always be facing downwards. The left-hand side of the basket can be loaded with

two layers of cups and glasses. On the right plates and saucers can be slotted vertically into the forks.

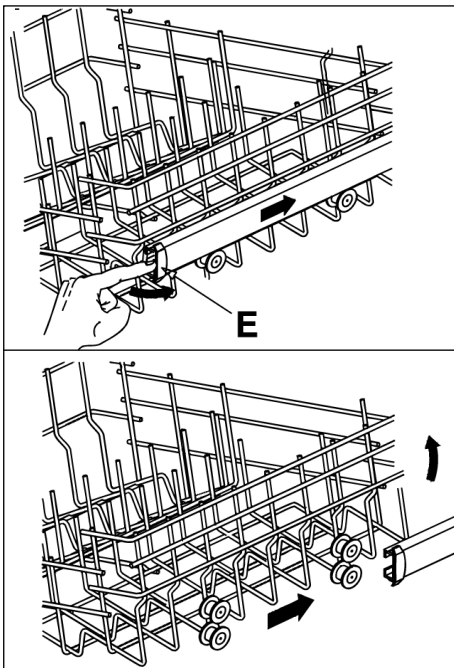


Adjusting the upper basket

The upper basket can be adjusted in **two positions**, according to the user's needs and according to the height of the dishes in the lower basket.

Proceed as follows:

- turn the retainer **E** on both runners, right and left, through 90°;
- remove the basket;
- lift the basket and fit the smaller pairs of wheels in the runners;
- return the retainers **E** to their original position.



Maximum height of the dishes in the lower basket

With upper basket raised	30 cm
With upper basket lowered	26 cm



Warning! After loading your machine always close the door, as an open door can be a hazard.

Use of detergent



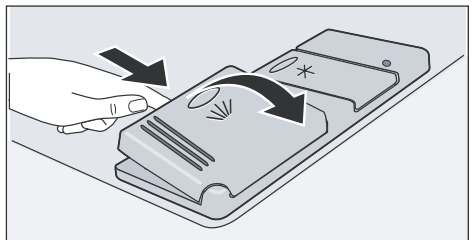
Only use detergents specifically designed for use in dishwashers. Please observe the manufacturer's dosing and storage recommendations as stated on the detergent packaging.



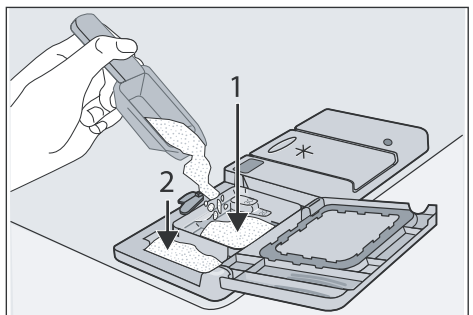
Using no more than the correct amount of detergent contributes to reducing pollution.

Fill with detergent

1. Open the lid.



2. Fill the detergent dispenser (1) with detergent. The marking indicates the dosing levels:



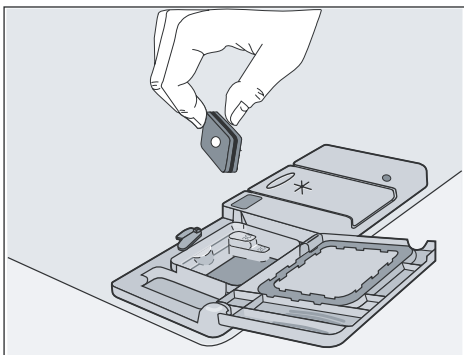
20 = approximately 20 g of detergent
30 = approximately 30 g of detergent

3. All programmes with prewash need an additional detergent dose (5/10 g) that must be placed in the prewash detergent chamber (2). This detergent will be used during the prewash phase. When using detergent tablets; place the tablet in compartment (1).



Detergent tablets

Detergent tablets from different manufacturers dissolve at different rates. For this reason, some detergent tablets do not attain their full cleaning power during short washing programmes. Therefore, please use long washing programmes when using detergent tablets, to ensure the complete removal of detergent residuals.



Multi tab function

This appliance is equipped with the Multi tab function, that allows the use of combi detergent tablets.

These products are detergents with a combined cleaning, rinsing and salt functions.

They can also contain other different agents depending on which kind of tablets you choose ("3 in 1", "4 in 1", "5 in 1" etc...). Check whether these detergents are suitable for your water hardness. See the manufacturers instructions.

Once this function is selected it will remain active for all following wash programmes. With the selection of this function the inflow of rinse aid and salt from each respective supply container is automatically deactivated and also the indicator lights for salt and rinse aid are deactivated.

When using the Multi tab function, the cycle durations may change. If this is the case, the running time for the programme is automatically updated on the digital display.



Activate/deactivate the Multi tab function before the start of a washing programme.

Once the programme is running, the Multi tab function can **NO** longer be changed. If you want to cancel the Multi tab function you have to cancel the programme setting and then deactivate the Multi tab function. In this case you have to set a washing programme (and desired options) again.

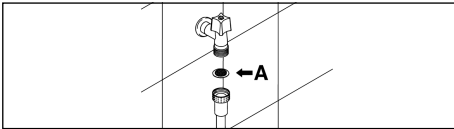
Maintenance and cleaning

Cleaning the water intake filter



Warning! Before carrying out any work, always unplug the appliance from the electrical supply or switch off the all-pole disconnection device.

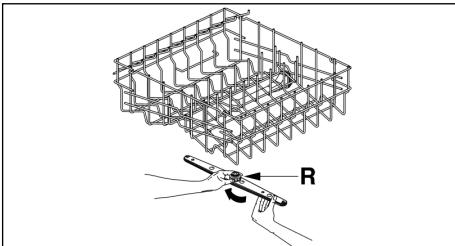
The water intake filter **A** located at the outlet of the water supply tap needs to be cleaned periodically.



After having closed the water supply tap, unscrew the end of the water intake hose, remove the filter **A** and clean it delicately under running water. Reassemble filter **A** in its seat and carefully screw the water intake hose back into position.

Cleaning the spray arms

The spray arms can be easily removed for periodic cleaning of the nozzles, to prevent possible clogging. Wash them under running water and carefully replace them in their seats, **checking that their rotary movement is in no way impeded.**

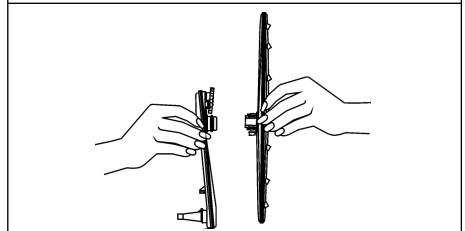
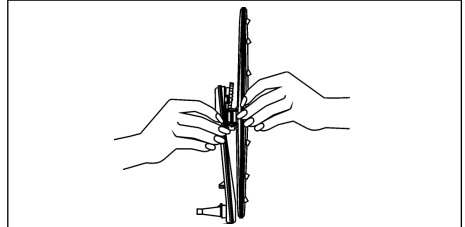
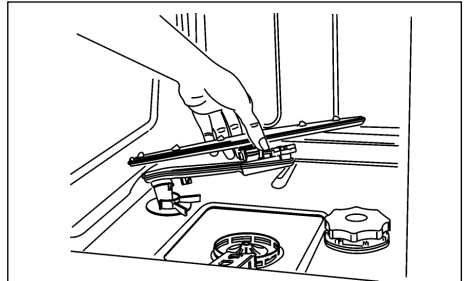


To remove the **upper** spray arm, unscrew locking ring **R**.

Cleaning the spray arm, travelling version

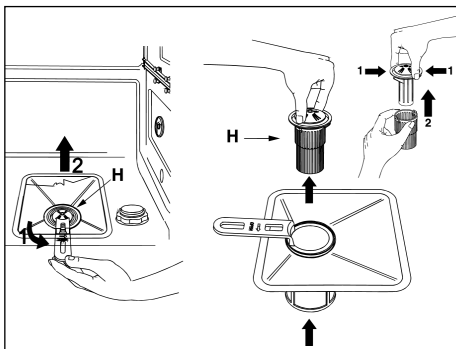
To remove the TRAVELLING spray arm, take hold of it and raise it to release both the spray arm and the pipe from the tank, then detach the spray arm from the pipe. Wash both the pipe and the spray arm in running water, re-attach the spray arm to the pipe and return the assembly to the seat provided in the tank.

Once the assembly has been put back in place, check that the spray arm turns freely (turn through a couple of revolutions by hand) and that the pipe is able to travel without impediments. Otherwise, check that it has been fitted correctly.



Cleaning the filters

- The central filter **H** should be inspected regularly and cleaned if necessary. To remove it, take hold of the handle, turn anti-clockwise and lift.
- Press the central filter **H** from below to extract it from the micro-filter.
- Separate the two parts of the plastic filter by pressing the body of the filter in the zone shown by the arrows.
- Remove the central filter by lifting it.



NEVER use the dishwasher without filters.

Incorrect repositioning and fitting of the filters will produce poor washing results and will result in damage to the appliance.

External cleaning

Clean the external surfaces of the machine and control panel with a damp soft cloth. If necessary use only neutral detergents. Never use abrasive products, scouring pads or solvent (acetone, trichloroethylene etc...).

Internal cleaning

Ensure that the seals around the door, the detergent and rinse aid dispensers are cleaned regularly with a damp cloth. We recommend every 3 months you run the wash programme for heavy soiled dishes using detergent but without dishes.

Prolonged periods of non-operation

If you are not using the machine for a prolonged period of time you are advised to:

1. Unplug the appliance and then turn off the water.
2. Leave the door ajar to prevent the formation of any unpleasant smells.
3. Leave the inside of the machine clean.

Frost precautions

Avoid placing the machine in a location where the temperature is below 0°C. If this is unavoidable, empty the machine, close the appliance door, disconnect the water inlet pipe and empty it.

Moving the machine

If you have to move the machine (moving house, etc...):

1. Unplug it.
2. Turn the water tap off.
3. Remove the water inlet and discharge hoses.
4. Pull the machine out together with the hoses.

Avoid over tilting the machine during transportation.

Something not working

The dishwasher will not start or stops during operation. Certain problems are due to the lack of simple maintenance or oversights, which can be solved with the help of the indications described, without calling out an engineer.

Switch off the appliance and carry out the following suggested corrective actions.

Important! If you call out an engineer to a fault listed below, or to repair a fault caused by incorrect use or installation, a charge will be made even if the appliance is under guarantee.



Warning! Any operations performed on the appliance by unauthorised persons are not covered by the warranty and shall be paid for by the user.




If an alarm occurs the appliance interrupts the programme in progress and signals a fault.

- Alarms E1, E2, E3, E4, E8 and E9 interrupt the current programme immediately.
- The E5, E6 alarms interrupts the running programme once the cause is resolved, it will bring back the execution of the programme.
- The alarm E7 is visualized at the end of the cycle that comes, however, brought to the end since the operation of the dishwasher is not harmed.

To "reset" an alarm is necessary:

- Open and close the door, or turn off and on the machine. At this point is possible to programme the dishwasher again.

The dishwasher is capable of signalling a number of faults through the simultaneous illumination of several indicator lights, with the following meanings:

-  Light flashing
-  Light off
-  Light on

E1 - Acquastop failure



The anti-flooding system has been activated (for the relevant models only). The system is tripped in case of water leaks. Contact the after-sales service.

E2 - Safety level



The system which limits the water level inside the dishwasher has been tripped. Interrupt the programme and switch off the dishwasher. Switch the dishwasher back on, programme it again and start the washing cycle. If the problem persists, contact the after-sales service.

E3 - Water heating malfunction



The water is not heated or the heating parameters are not correct. Repeat the washing programme; if the problem persists, contact the after-sales service.

E4 - Water temperature monitoring malfunction



Interrupt the programme and switch off the dishwasher. Switch the dishwasher back on, programme it again and start the washing cycle. If the problem persists, contact the after-sales service.

E5 - Water intake malfunction



The appliance does not take in water or does not do so correctly. Check that the water connections are correct, the water intake tap is turned on and the filter is not fouled. If the problem persists, contact the after-sales service.

E6 - Water pump-out malfunction



The appliance does not pump out the water or does not do so correctly. Check that the drain hose is not kinked or crushed and that the siphon and filter are not fouled. If the problem persists, contact the after-sales service.

E7 - Turbine flow-regulator malfunction

(for the relevant models only)



The appliance is not able to "measure" the amount of water loaded accurately. Interrupt the programme and switch off the dishwasher. Switch the dishwasher back on, programme it again and start the washing cycle. If the problem persists, contact the after-sales service.

E8 - Alternate washing system malfunction



Interrupt the programme and switch off the dishwasher. Switch the dishwasher back on, programme it again and start the washing cycle. If the problem persists, contact the after-sales service.

E9 - Water intake system malfunction



Contact the after-sales service.



If the malfunction persists, contact your authorised Service Centre.

Troubleshooting minor problems

In some cases it is possible to remedy minor problems by referring to the following instructions:

If the programme fails to start, check that:

- the dishwasher is connected to the electrical power supply;
- there is no power failure;
- the water tap is open;
- the dishwasher door is properly closed.

If water remains inside the dishwasher, check that:

- the drain hose is not kinked;
- the drain siphon is not obstructed;
- the dishwasher filters are not clogged.

If the dishes are not being cleaned properly, check that:

- the correct amount of detergent has been added;
- there is regenerating salt inside the special container;
- the dishes are being loaded correctly;
- the selected programme is suitable for the dish types and their degree of soiling;
- all the filters are clean and positioned correctly;
- the spray arm nozzles are not obstructed;
- there is no object obstructing the rotation of the spray arms.

If the dishes fail to dry or remain dull, check that:

- there is rinse aid inside the special container;
- the rinse aid dispenser setting is correct;
- the detergent used is of good quality and has not lost its effectiveness (for example, through incorrect storage, with the box left open).

If the dishes show signs of streaking, staining, etc., check that:

- the rinse aid dispenser setting is not too high.

If there are visible traces of rust inside the tank:

- the tank is made of steel, and therefore any rust marks are due to external elements (fragments of rust from the water pipes, pots, cutlery, etc.). Special products are commercially available to remove such marks;
- check that the amount of detergent being used is correct. Certain detergents can be more corrosive than others;
- check that the cap of the salt container is securely closed, and that the water softening setting is correct.

Technical data

Width	447 ÷ 449 mm
Depth measured flush with the outer edge of the control panel	593 mm
Height	from 820 mm to 890 mm
Capacity	10 Standard place settings
Water supply pressure	min. 0,05 - max. 0,9 MPa (min. 0.5 – max. 9 bar)
Electrical characteristics	See rating plate



Installation



Warning! It is dangerous to alter the specifications or attempt to modify this product in any way. This appliance is heavy. Care should be taken when moving it. Care must be taken to ensure that the appliance does not stand on the electrical supply cable. Any electrical work required to install this appliance must be carried out by a qualified electrician or competent person. Any plumbing work required to install this appliance must be carried out by a qualified plumber or competent person.

Unpacking

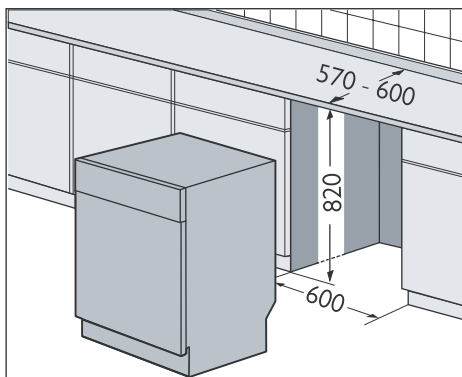
- Remove all packaging before positioning the machine.
- If possible, position the machine next to a water tap and a drain.

Fitting under a counter

(Kitchen worktop or sink)

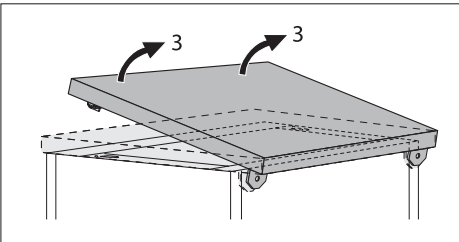
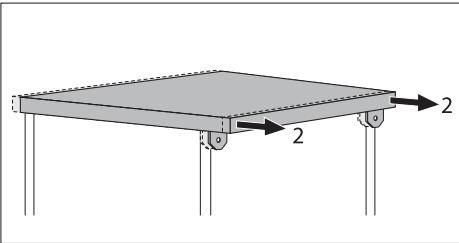
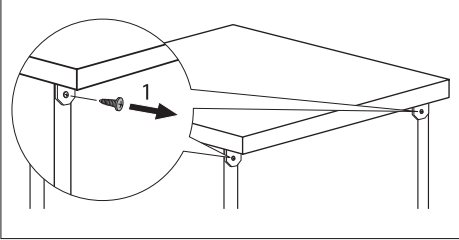
To build in the dishwasher, the special kit must be purchased from authorised dealers or the After-Sales Service.

By removing the machine's worktop, you can install it under a close fitting sink unit or a preexisting top, providing the dimensions of the recess correspond to those shown in the picture.



Proceed as follows:

Remove the machine's worktop by unscrewing the two rear retaining screws (1), pull the worktop from the back of the machine (2) and slide out the front slots, lifting the worktop (3).



Insert the machine after adjusting the levelling with the adjustable feet. When inserting the machine, ensure that the water inlet and drain hoses are not kinked or squashed.

During all operations that involve accessibility to internal components the dishwasher has to be unplugged.

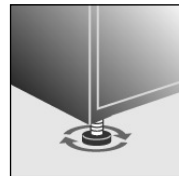
Be sure that once the appliance has been installed, it is easily accessible for the service engineer in the event that a repair is required.

If the dishwasher is later used as a free-standing appliance, the original worktop must be re-mounted.

The plinth on free-standing appliances is not adjustable.

Levelling

Good levelling is essential for correct closure and sealing of the door. When the appliance is correctly levelled, the door will not catch on either side of the cabinet. If the door does not close correctly, loosen or tighten the adjustable feet until the machine is perfectly level.



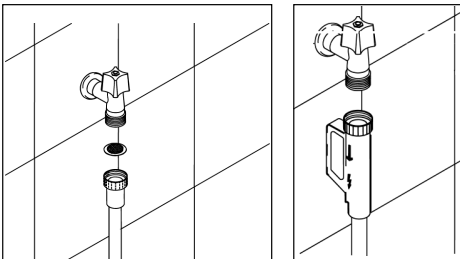
Water connections

Water inlet connection

This appliance must be connected to a cold water supply.

For making the connection itself, the coupling nut fitted to the machine's inlet hose is designed to screw onto a 3/4" gas thread spout or to a purpose made quick-coupling tap such as the Press-block.

The water pressure must be within the limits given in the "Technical data". Your local Water Authority will advise you on the average mains pressure in your area.



The water inlet hose must not be kinked, crushed, or entangled when it is being connected.

The appliance features inlet and drain hoses which can be turned either to the left or the right to suit the installation by means of the locknut. **The locknut must be correctly fitted to avoid water leaks.** (Attention! NOT all models of dishwashers have inlet and drain hoses provided with a locknut.) If the appliance is connected to new pipes or pipes which have not been used for a long time, you should run the water for a few minutes before connecting the inlet hose.

DO NOT use connection hoses which have previously been used on an old appliance.

i This appliance has been fitted with safety features which will prevent the water used in the appliance from returning back into the drinking water system. This appliance complies with the applicable plumbing regulations.

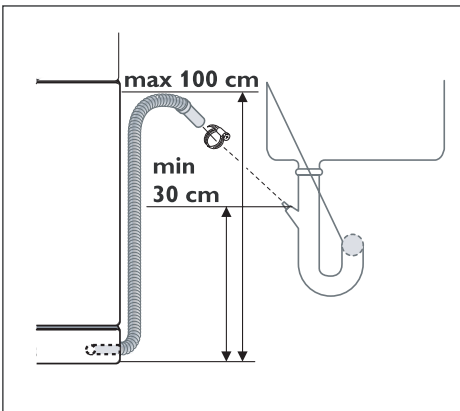
i The dishwasher can also be connected to a hot water supply not exceeding 60°C. Supplying the appliance with hot water cuts down the washing time by approximately 20 minutes, but slightly reduces its effectiveness. Make the connection to the domestic hot water supply using the same procedure described for connecting to the cold water supply.

Water drain connection

The end of the drain hose can be connected in the following ways:

1. To the sink outlet spigot, securing it to the underside of the work surface. This will prevent waste water from the sink running into the machine.
2. To a stand pipe provided with venthole, minimum internal diameter 4 cm.

The waste connection must be at a height of between 30 cm (minimum) and 100 cm (maximum) from the bottom of the dishwasher.



The drain hose can face either to the right or left of the dishwasher.

Ensure the drain hose is not bent or squashed as this could prevent or slow down the discharge of water.

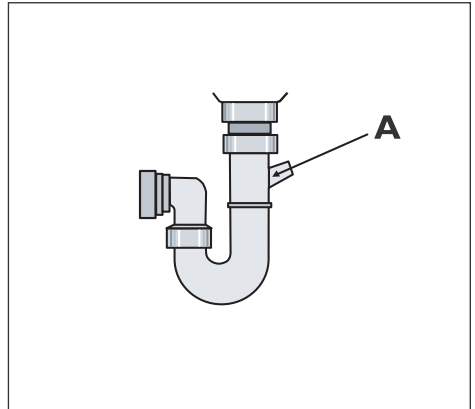
The sink plug must not be in place when the machine is draining as this could cause the water to syphon back into the machine.

If you use a drain hose extension it must be no longer than 2 metres and its internal diameter must be no smaller than the diameter of the hose provided.

Likewise the internal diameter of the couplings used for connections to the waste outlet must be no smaller than the diameter of the hose provided.



When connecting the drain hose to an under sink trap spigot, **the entire plastic membrane (A) must be removed.** Failure to remove all the membrane will result in food particles building up over time eventually blocking the dishwasher drain hose spigot.



Our appliances are supplied with a security device to protect against the return of dirty water back into the machine. If the spigot of your sink has a "no return valve" incorporated this can prevent the correct draining of your dishwasher. We therefore advise you to remove it. When connecting the drain hose to an under sink trap spigot, the entire plastic membrane (A) must be removed. Failure to remove all the membrane will result in food particles building up over time eventually blocking the dishwasher drain hose spigot.

Electrical connection

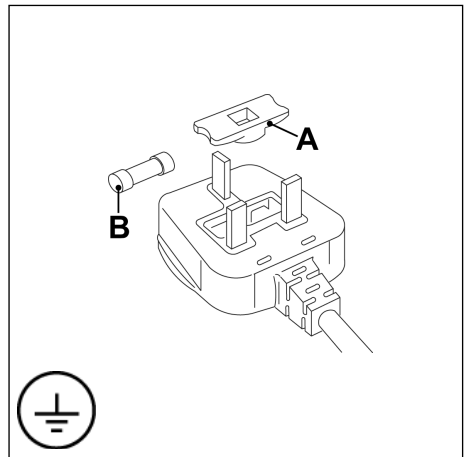


Warning! Safety standards require the appliance to be earthed. Prior to using the appliance for the first time, ensure that the rated voltage and type of supply on the rating plate match that of the supply where the appliance is to be installed. The fuse rating is also to be found on the rating plate. Always plug the mains plug into a correctly installed shockproof socket. Multi-way plugs, connectors and extension cables must not be used. This could constitute a fire hazard through overheating. If necessary, have the domestic wiring system socket replaced. In case that the electrical cable has to be replaced, contact your local repair agent. The plug must be accessible after the appliance has been installed. Never unplug the appliance by pulling on the cable. Always pull the plug. The manufacturer accepts no liability for failure to observe the above safety precautions.

Fuse replacement

If the mains lead of this appliance is fitted with a BS 1363A 13amp fused plug, to change a fuse in this type of plug use an A.S.T.A. approved fuse to BS 1362 type and proceed as follows:

1. Remove the fuse cover **A** and fuse **B**.
2. Fit replacement 13A fuse into fuse cover.
3. Refit both into plug.



Warning! The fuse cover must be refitted when changing a fuse and if the fuse cover is lost the plug must not be used until a correct replacement is fitted. Correct replacement are identified by the colour insert or the colour embossed in words on the base of the plug. Replacement fuse covers are available from your local electrical store.

Repairs - after sales service

Your appliance comes with a three year warranty.

If it is not working correctly; consult the fault finding guides within this instruction book (Something not working).

If a fault occurs which you can not resolve through following the advice and information contained within this instruction manual, the next step is to contact our extended warranty administrators on:

0844 871 7771

They will give you details for your local service engineer. Before calling out an engineer, please ensure you have read the details under the heading "Something not working".

When you contact your local service engineer you will need to give the following details:

1. Your name, address and post code.
2. Your telephone number.
3. Clear and concise details of fault.
4. The purchase date and found on your receipt.
5. The model and serial number of the appliance.

So that you always have these numbers at hand, we recommend you to make a note of them here:

Mod. :
PNC :
S.N. :

IMPORTANT: If you call out an engineer to a fault listed below, or to repair a fault caused by incorrect use or installation, a charge will be made even if the appliance is under guarantee.

Spare parts

Always insist on genuine spare parts.

An authorised service engineer should service this product, and only genuine spare parts should be used.

Under no circumstances should you attempt to repair the appliance yourself. Repairs carried out by inexperienced persons may cause injury or serious malfunctioning.

Contact your local John Lewis branch.

John Lewis Partnership

171 Victoria Street
London SW1E 5NN
www.johnlewis.com

Subject to change without notice

Free Manuals Download Website

<http://myh66.com>

<http://usermanuals.us>

<http://www.somanuals.com>

<http://www.4manuals.cc>

<http://www.manual-lib.com>

<http://www.404manual.com>

<http://www.luxmanual.com>

<http://aubethermostatmanual.com>

Golf course search by state

<http://golfingnear.com>

Email search by domain

<http://emailbydomain.com>

Auto manuals search

<http://auto.somanuals.com>

TV manuals search

<http://tv.somanuals.com>