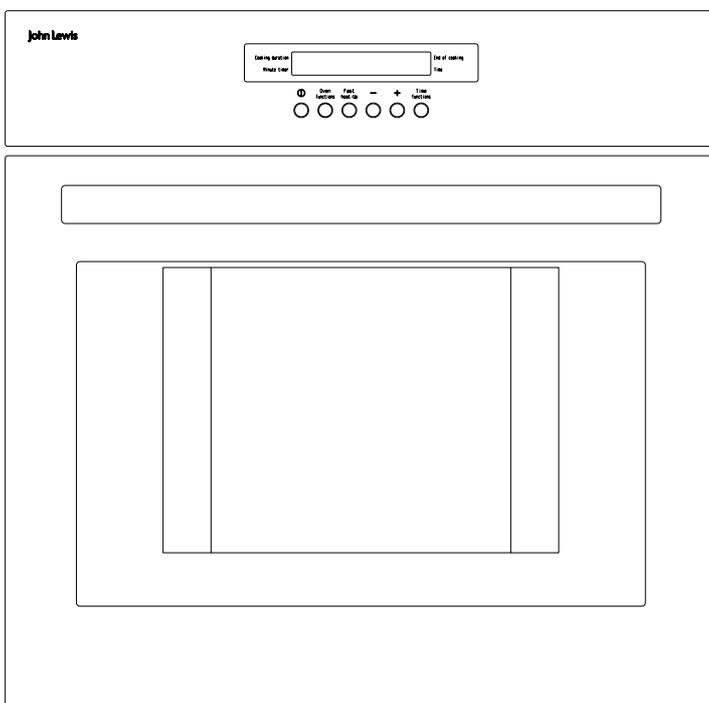


# JLBIOS602 built-in oven

## Instruction manual



# John Lewis

# Important Safety Information

It is most important that this instruction manual should be retained with the appliance for future reference. Should the appliance be sold or transferred to another owner, or should you move house and leave the appliance, always ensure that the book is supplied with the appliance in order that the new owner can get to know the functioning of the appliance and the relevant warnings. These warnings have been provided in the interest of safety. You **MUST** read them carefully before installing or using the appliance. If you are unsure of the meanings of these warnings contact the John Lewis branch from which you purchased the appliance.

## Installation

- This oven is heavy and care must be taken when moving it.
- Ensure that **all packaging**, both inside and outside the oven, has been **removed** before the oven is used.
- The oven must be installed according to the instructions supplied. Any electrical work must be undertaken by a qualified electrician.
- **It is dangerous** to alter the specifications in any way.
- After installation, please dispose of the packaging with due regard to safety and the environment.

## Child Safety

- The appliance is not intended for use by young children or infirm persons without supervision. Young children **must not** be allowed to tamper with the controls or play near or with the oven.
- Ovens become **very hot**, and retain their heat for a long period of time after use. Children should be kept well away from the oven until it has cooled.
- **CAUTION** - accessible parts will become hot when in use. To avoid burns and scalds children should be **kept away**.
- Appliances become very hot with use, and retain their heat for long periods after use. Care should be taken to avoid touching heating elements inside the oven.

## During Operation

- **Do not** use this oven if it is in contact with water and never operate it with wet hands.
- Ensure that the oven shelves are installed in the correct way.
- Take **great care** when heating fats and oils as they will ignite if they become too hot.
- This oven has been designed for cooking edible foodstuffs only and **must not** be used any other purposes.
- **Never** place plastic or any other material which may melt in or on the oven.
- **Only** clean this oven in accordance with the instructions.
- **Take care** to follow the recommendations given for tending the food when grilling. Use the handles provided in the recommended way.
- **Always grill with the oven door closed.**
- **Always** use oven gloves to remove and replace food in the oven.
- Ensure that you **support** the grill pan when removing it from the oven.
- **Never** line any part of the oven with aluminium foil.
- **Do not** allow heatproof cooking material, e.g. roasting bags, to come into contact with oven elements.
- **Always** stand back from the oven when opening the oven door, to allow any build-up of steam or heat to

release.

- Stand clear when opening the drop down oven door.
- **Do not** allow it to fall open - support it using the door handle, until it is fully open.
- **Do not** place sealed cans or aerosols inside the oven. They may explode if they are heated.
- **Do not** hang towels or clothes from the oven or its handle. They are a **safety hazard**.

## After Use

- Ensure that all control knobs are in the **OFF** position when not in use.
- For hygiene and safety reasons, this oven should be kept clean at all times. A build-up of fats or other foodstuffs could result in a fire, especially in the grill pan.
- Only clean this oven in accordance with the instructions.
- Never use steam or high pressure steam cleaners to clean the appliance.
- Always allow the oven to cool down before switching off at the wall prior to carrying out any cleaning or maintenance work.
- **Do not** leave utensils containing foodstuffs, e.g. fat or oil in or on the oven in case it is inadvertently switched **ON**.
- **Under no circumstances** should you attempt to repair the appliance yourself. Repairs carried out by inexperienced persons may cause injury or serious malfunctioning. Refer to your local Service Centre. Always insist on genuine spare parts.

## Environmental Information

- After installation, please dispose of the packaging with due regard to safety and the environment.
- When disposing of an old appliance, make it unusable, by cutting off the cable. Remove any door catches, to prevent small children being trapped inside.



The symbol  on the product or on its packaging indicates that this product may not be treated as household waste. Instead it shall be handed over to the applicable collection point for the recycling of electrical and electronic equipment. By ensuring this product is disposed of correctly, you will help prevent potential negative consequences for the environment and human health, which could otherwise be caused by inappropriate waste handling of this product. For more detailed information about recycling of this product, please contact your local city office, your household waste disposal service or the shop where you purchased the product.

# Contents

## For the User

<b>Important Safety Information</b>	<b>2</b>
<b>Description of the Oven</b>	<b>4</b>
<b>Control Panel</b>	<b>5</b>
<b>When the oven is first installed</b>	<b>6</b>
Before first use	6
"On/Off" Button	7
How to select a Cooking Function	7
How to set the temperature and cooking time	7
Function Symbols	8
<b>Using the Oven</b>	<b>8</b>
<b>Hints and Tips</b>	<b>9</b>
Condensation and steam	9
Cookware	9
The effects of dishes on cooking results	9
The Cooling Fan	9
The SafetyThermostat	9
<b>Programming the Oven</b>	<b>10</b>
How to set the minute timer	10
To programme the Oven to switch off	10
To Programme the Oven to Switch On and Off	11
Fast Heat up function	11
Demo mode	11
Error code	11
<b>Safety and Energy Saving Functions</b>	<b>11</b>
Safety Cut-Off Function	11
Residual Heat Function	11
Child Safety Function	11
Fast Heat-up function	12
Demo mode	12
Error code	12
<b>The Fan Oven</b>	<b>13</b>
Hints and Tips	13
<b>The Conventional Oven</b>	<b>14</b>
How to use the Conventional Oven	14
Bottom Oven element only	14
Top Oven element only	14
Hints and Tips	14
<b>Cooking chart - Conventional and Fan Oven</b>	<b>15</b>
<b>Grilling</b>	<b>16</b>
How to Use the Full Grill	16
How to Use the Inner Grill Element	16

Hints and Tips	16
How to use thermal Grilling	16
Cooking chart-Conventional and Fan coking	17
<b>Pizza Oven</b>	<b>18</b>
Cooking chart - Pizza Oven	18
<b>Defrosting</b>	<b>18</b>
<b>Cleaning the Oven</b>	<b>19</b>
<b>Care of catalytic liners</b>	<b>20</b>
<b>Something not working</b>	<b>22</b>
<b>Repairs - After Sales Service</b>	<b>23</b>

## For the Installer

<b>Installation</b>	<b>5</b>
Technical Data	5
Heating elements rating	5
<b>Electrical Connection</b>	<b>5</b>
<b>Building In</b>	<b>6</b>
Securing The Oven To The Cabinet	6

## Guide to use the Instruction Manual

The following symbols will be found in the text to guide you throughout the Instructions:



Safety Instructions



Step by step instructions for an operation



Hints and Tips

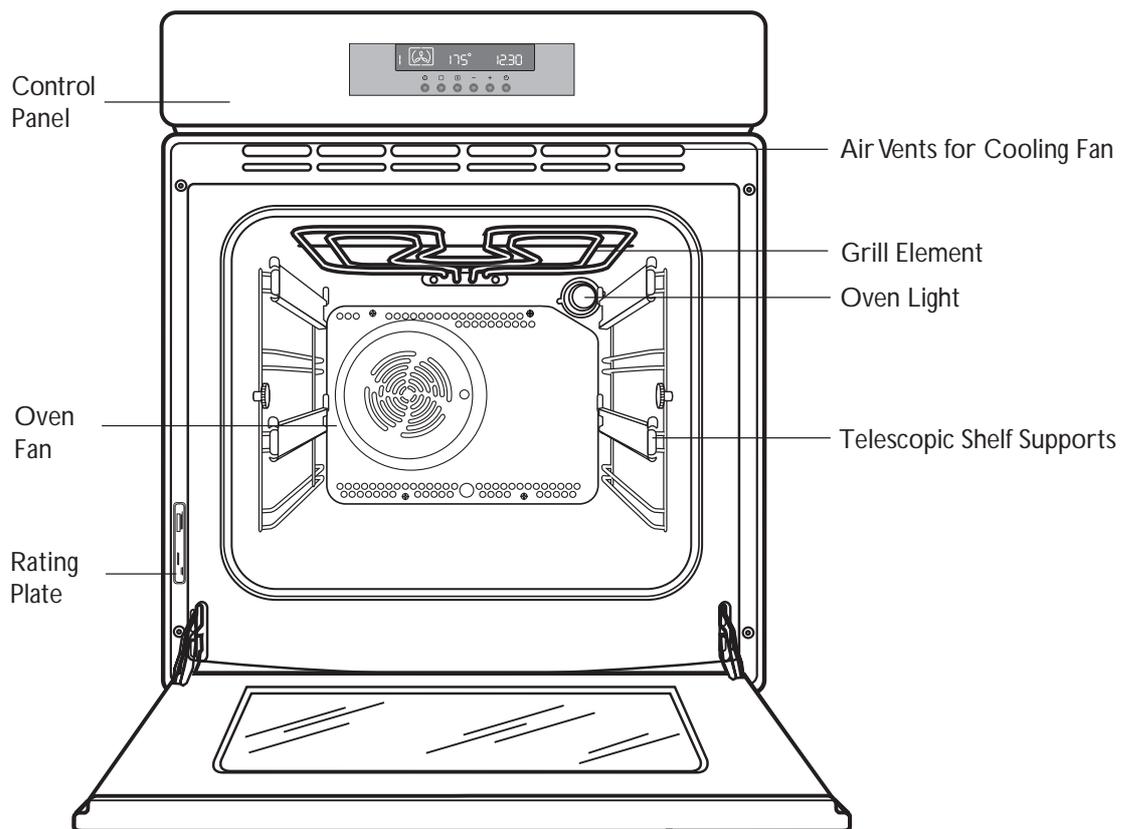


Environmental Information

**CE** This appliance complies with the following E.E.C. Directives:

- 73/23 - 90/683 (Low Voltage Directive);
- 89/336 (Electromagnetical Compatibility Directive);
- 93/68 (General Directives) and subsequent modifications.

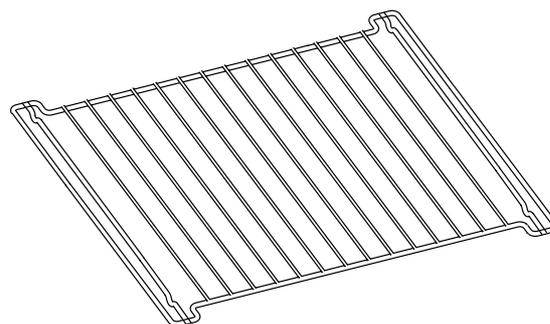
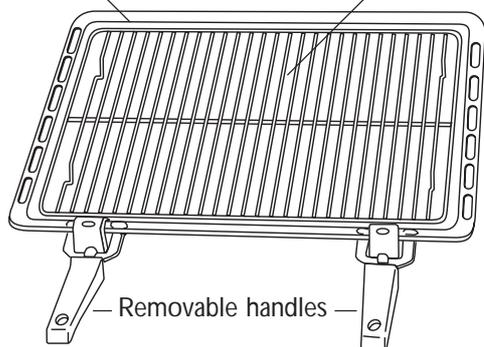
# Description of the Oven



## Oven accessories

Grill/roasting pan

Grill trivet



Anti-tip shelf (x 2)

# Installation

## Technical Data

### Dimensions of recess

Height	580 mm
Width	560 mm
Depth	550 mm

### Dimensions of the oven cavity

Height	335 mm
Width	395 mm
Depth	400 mm
Oven capacity	53 litres

## Heating elements rating

Conventional Oven (Top element+Bottom element)	1,800 W
Top element	800 W
Bottom element	1,000 W
Fan Oven	2,000 W
Inner Grill element	1,650 W
Full Grill element	2,450 W
Pizza Oven	2,000 W/1,000 W
Thermal Grilling	1,675 W
Convection Fan	25 W
Oven Light	25 W
Cooling Fan	25 W
Total Rating	2,500 W
Supply voltage (50 Hz)	230 V

# Electrical Connection

The oven is designed to be connected to 230 V (50 Hz) electricity supply.

The oven has an easily accessible terminal block which is marked as follows:

Letter L	-	Live terminal
Letter N	-	Neutral terminal
 or E	-	Earth terminal



**THIS OVEN MUST BE EARTHED**

The cable used to connect the oven to the electrical supply must comply to the specifications given below.

## For Uk use only

Connection via	Min. size Cable/flex	Cable / flex type	Fuse
• Cooker Control Circuit	2.5 mm <sup>2</sup>	PVC/PVC twin and earth	20 A

## For Europe use only

Min. size Cable/flex	Cable / flex type	Fuse
2.5 mm <sup>2</sup>	H07 RN-F, H05 RN-F, H05 RR-F, H05 VV-F, H05 V2V2-F (T90), H05 BB-F	15 A

It is necessary that you install a double pole switch between the oven and the electricity supply (mains), with a minimum gap of 3mm between the switch contacts and of a type suitable for the required load in compliance with the current rules.

The switch must not break the yellow and green earth cable at any point.

## Important

After installation and connecting, the cable must be placed so that it cannot at any point reach a temperature of more than 60°C above the ambient temperature.

Before the oven is connected, check that the main fuse and the domestic installation can support the load; and that the power supply is properly earthed.

The manufacturer disclaims any responsibility should these safety measures not be carried out.

# Building In

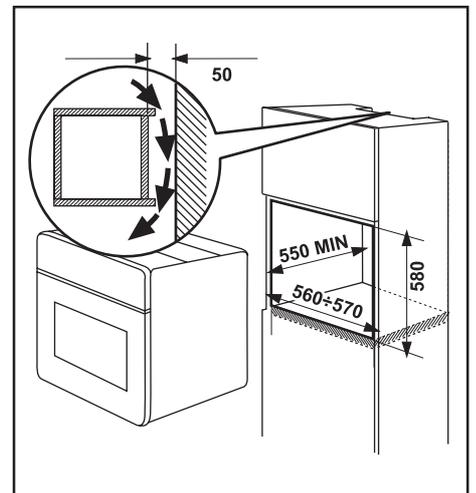
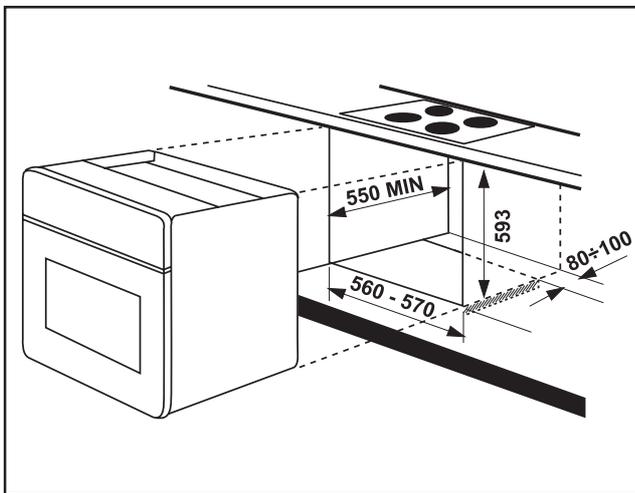
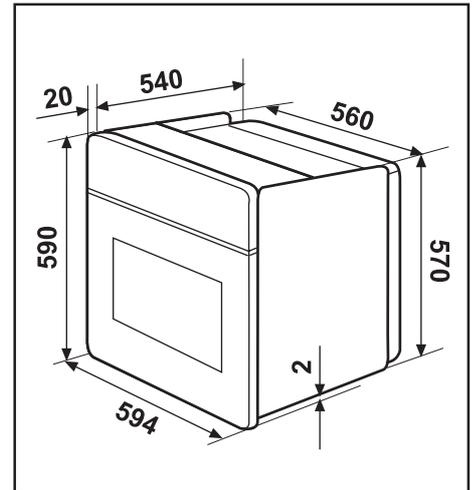
Please ensure that when the oven is installed it is easily accessible for the engineer in the event of a breakdown.

## Building In

The surround or cabinet into which the oven will be built must comply with these specifications:

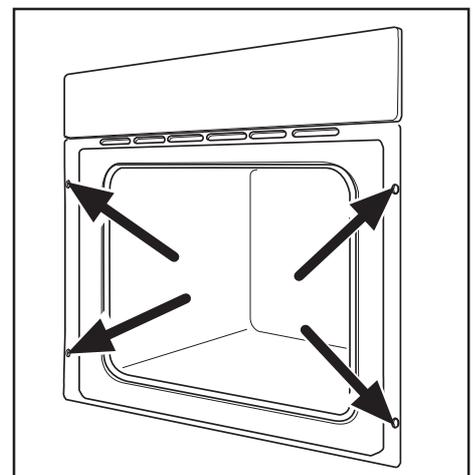
- the dimensions must be as shown in the relevant diagrams;
- the materials must withstand a temperature increase of at least 60°C above ambient;
- proper arrangements must be made of a continuous supply of air to the oven to prevent the oven overheating.

Dimensions of the oven and recess required are given in the relevant diagrams.

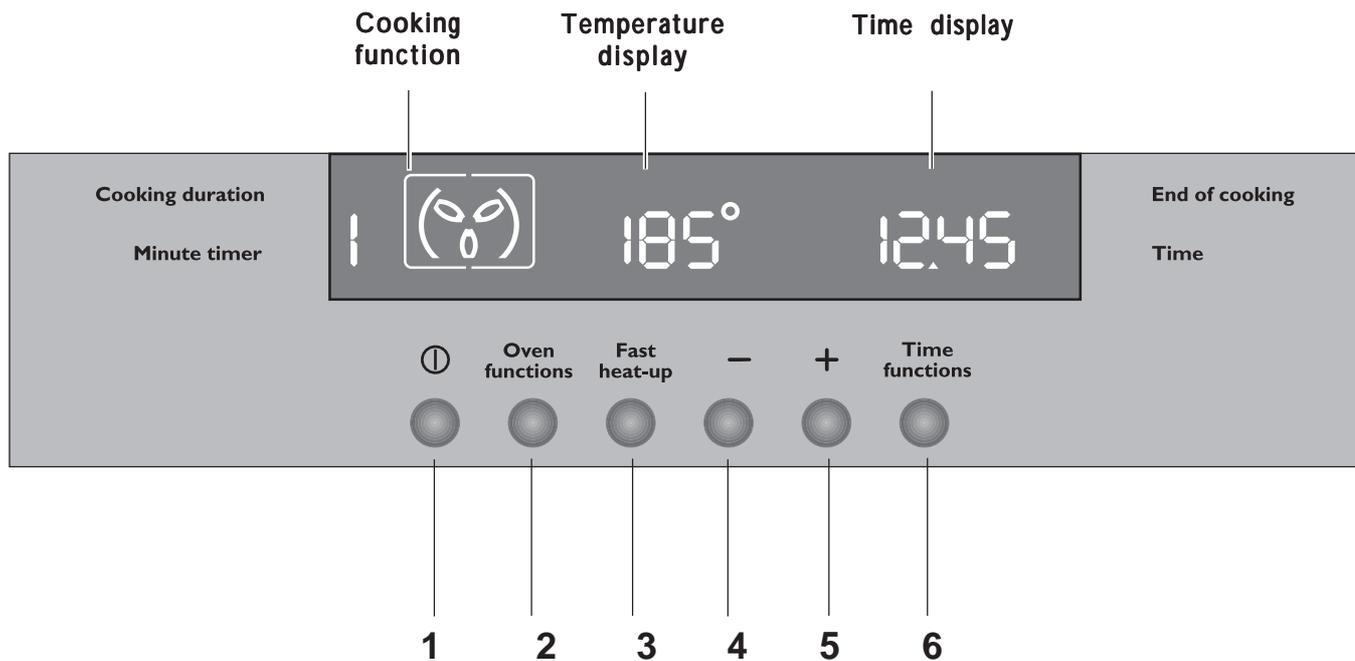


## Securing The Oven To The Cabinet

1. Fit the oven into the cabinet recess,
2. Open the oven door,
3. Secure the oven to the kitchen cabinet with four wood screws, which fit the holes provided in the oven frame.



# Control Panel



## Push buttons

1. ON / OFF
2. Oven Function Control
3. Fast Heat Up Function
4. Decreasing Control "—" (Time or Temperature)
5. Increasing Control "+" (Time or Temperature)
6. Minute minder / Cooking duration function / End of cooking function

All the oven functions are controlled by an electronic programmer.

You can select any combination of cooking function, cooking temperature and automatic timing.

### NOTE

In the event of a power failure, the programmer will keep all the settings (time of day, programme setting or programme in operation) for about 3 minutes. If power fails for a longer time, all the settings will be cancelled. When the power is restored, the numbers in the display will flash, and the clock/timer has to be reset.

# When the oven is first installed



Remove **all packaging**, both inside and outside the oven, before using the oven.

When the oven is first connected to the electrical supply, wait for the display automatically show 12:00 and the symbol flash.

Ensure the correct time of day is set before using the oven.

## To set the correct time of day :

a) press Time function button and, while the symbol is flashing (Fig. 1), set the correct time of day by pressing buttons “-” or “+” (Fig. 2).

The time arrow symbol will disappear about 5 seconds after the correct time is displayed (Fig. 3).

b) if the symbol is not flashing anymore, press button Time function twice.

Then, proceed as described in point a).

## Before first use

The oven should be heated without food.

To do that, proceed as follows:

- press button to switch on the oven.
- press button Oven function twice and select the "Conventional Cooking" function (Fig. 4).
- set the temperature to 250 °C using the increasing push button “+”.
- Allow the oven to run **empty** for approximately 45 minutes.
- open a window for ventilation.

This procedure should be repeated with the "Fan Cooking" and "Full Grill" function for approximately 5-10 minutes.

During this time, an unpleasant odour may be emitted. This is absolutely **normal**, and is caused by residues of manufacturing.

Once this operation is carried out, let the oven cool down, then clean the oven cavity with a soft cloth soaked in warm water to which a little mild washing-up liquid has been added.

Before cooking for the first time, carefully wash the **accessoires**.



To open the oven door, always hold the handle in the centre (Fig. 5).

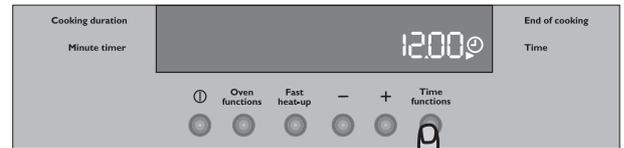


Fig. 1



Fig. 2



Fig. 3



Fig. 4

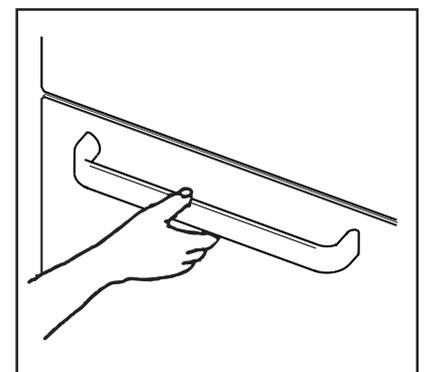


Fig. 5

## "On/Off" Push Button

The oven must be switched on before setting any cooking function or programme. When button ① is pressed, the oven symbol will appear in the display, and the oven light will switch on.

To switch off the oven, you can press button ① at any time. Any cooking function or programme will stop, the oven light will switch off and the time display will show the time of day only.

It is possible to switch off the oven at any time.

## How to select a Cooking Function

- 1) Switch on the oven by pressing the ① button.
- 2) Press button Oven function to select the required oven function. Each time button Oven function is pressed, a cooking symbol will appear in the display and the corresponding cooking function number will appear to the left of the currently selected cooking function symbol (Fig. 6).
- 3) If the pre-set temperature is not suitable, press button "—" or "+" to adjust the temperature in 5 degree steps.  
- as soon as the oven heats up, the thermometer symbol rises slowly 🌡, indicating the degree to which the oven is currently heated;  
When the required temperature is reached, an acoustic alarm will sound for a short time and the thermometer symbol 🌡 will illuminate permanently.

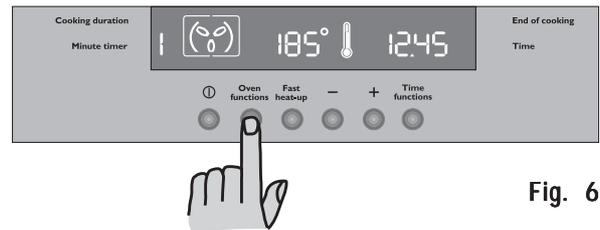


Fig. 6

## How to set the temperature and cooking time

Press button "—" and "+" to increase or decrease the pre-set temperature while the "°" symbol is flashing (Fig. 7). The maximum temperature is 250°C.

Press button "—" and "+" to increase or decrease the cooking time while the symbol ▶ is flashing (Fig. 7).

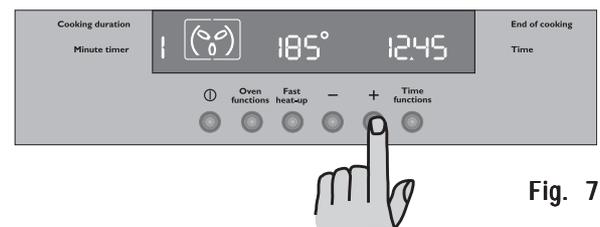


Fig. 7

## Function Symbols

- 1  **Fan cooking** - This setting allows you to roast or roast and bake simultaneously using any shelf, without flavour transference. Pre-set temperature: 175°C
- 2  **Conventional cooking** - The heat comes from both the top and bottom element, ensuring even heating inside the oven. Pre-set temperature: 200°C
- 3  **Inner Grill** - can be used for grilling small quantities. Pre-set temperature: 250°C
- 4  **Thermal Grilling** - This function offers an alternative method of cooking food items, normally associated with conventional grilling. The grill element and the oven fan operate together, circulating hot air around the food. Pre-set temperature: 180°C  
**Select a maximum temperature of 200°C.**
- 5  **Pizza Oven** - The bottom element provides direct heat to the base of pizzas, quiches or pies, while the fan ensures air is circulated to cook the pizza toppings or pie fillings. Pre-set temperature: 175°C
- 6  **Full Grill** - The full grill element will be on. Recommended for large quantities. Pre-set temperature: 250°C
- 7  **Bottom heating element** - The heat comes from the bottom of the oven only, to allow you to finish your dishes. Pre-set temperature: 250°C
- 8  **Top heating element** - The heat comes from the top of the oven only, to allow you to finish your dishes. Pre-set temperature: 250°C
- 9  **Defrosting** - The oven fan operates without heat and circulates the air, at room temperature, inside the oven. This function is particularly suitable for defrosting delicate food which could be damaged by heat, e.g. cream filled gateaux, iced cakes, pastries, bread and other yeast products.

## Using the Oven

 **Always cook with the oven door closed.**

 **Stand clear when opening the oven door.**

The oven has four shelf levels. The shelf positions are counted from the bottom of the oven as shown in the diagram.

Shelf levels 2 and 4 are fitted with telescopic shelf supports, to allow an easier operation when inserting or removing the shelves.

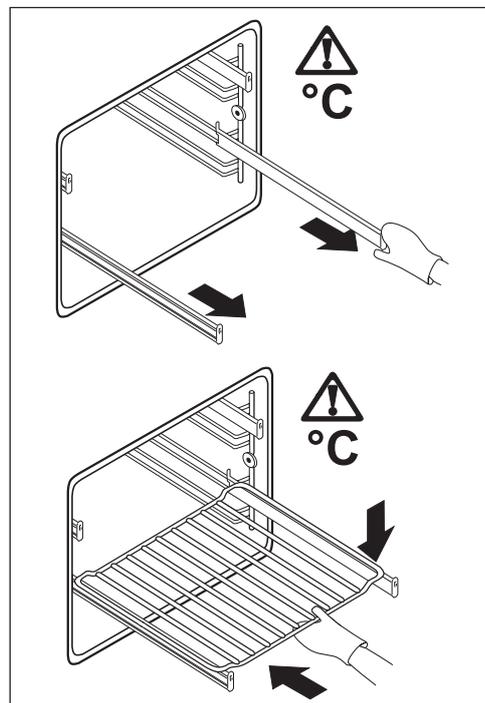
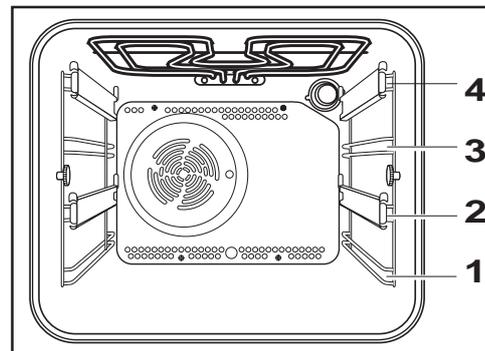
Pull the right and left hand telescopic shelf supports completely out.

Place the shelf or the grill pan on the telescopic shelf supports, then gently push them all inside the oven (see diagram).

**Do not attempt to close the oven door if the telescopic shelf supports are not completely inside the oven. This could damage the door enamel and glass.**

 **Do not place cookware directly on the oven base.**

**Attention!** - Do not cover any part of the oven with aluminium foil while cooking, as this could cause a heat build-up which would affect the baking results and damage the oven enamel. Always place pans, heat-resisting pans and aluminium trays on the shelf which has been inserted in the shelf runners.



# Hints and Tips

## Condensation and steam

The oven is supplied with an exclusive system which produces a natural circulation of air and the constant recycling of steam. This system makes it possible to cook in a steamy environment and keep the dishes soft inside and crusty outside. Moreover, the cooking time and energy consumption are reduced to a minimum. During cooking steam may be produced which can be released when opening the oven door. This is absolutely normal.



**However, always stand back from the oven when opening the oven door during cooking or at the end of it to allow any build up of steam or heat to release.**



**When food is heated, it produces steam in the same way as a boiling kettle does. When steam comes in contact of the oven door glass, it will condense and produce water droplets. To reduce condensation, ensure the oven is well heated before placing food in the oven cavity. A short oven pre-heating (about 10 minutes) will then be necessary before any cooking. We recommend you to wipe away condensation after each use of the appliance.**

## Cookware

- Use any oven proof cookware which will withstand temperatures of 250°C.
- Baking trays, oven dishes, etc. should not be placed directly against the grid covering the fan at the back of the oven, or placed on the oven base.
- Do not use baking trays larger than 30 cm x 35 cm (12 in x 14 in) as they will restrict the circulation of heat and may affect performance.

## The effects of dishes on cooking results

Dishes and tins vary in their thickness, conductivity, colour, etc. which affects the way they transmit heat to the food inside them.

- A** Aluminium, earthenware, oven glassware and bright shiny utensils reduce cooking and base browning.
- B** Enamelled cast iron, anodised aluminium, aluminium with non-stick interior and coloured exterior and dark, heavy utensils increase cooking and base browning.

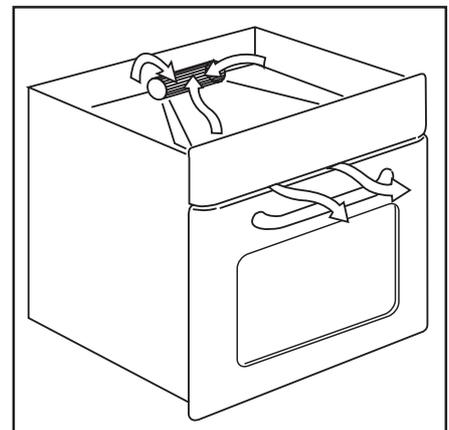
## Cooling fan

The cooling fan operates during cooking. Air is expelled through vents between the oven door and the control panel, as shown in the diagram.

The cooling fan may run on after the oven is switched off to keep the controls cool. This is quite normal.

## The Safety Thermostat

This oven is provided with a safety thermostat. In case of malfunctioning of the main thermostat, and consequent overheating, the safety device will stop the power supply to the appliance. If this happens, call your local Service Force Centre. Under no circumstances should you attempt to repair the appliance yourself.



# Programming the Oven

## How to set the minute minder

- 1) Press button Time function to select the Minute Minder function (Fig. 8). The relevant  symbol will flash and the control panel will display "0.00".
- 2) Press button "+" to select the required time. Maximum time is 23 hours 59 minutes. After it has been set, the Minute Minder will wait 3 seconds and then start running (Fig. 9).
- 3) When the programmed time has elapsed, an acoustic alarm will be heard.
- 4) To switch off the acoustic alarm, press any button.

 **The oven will NOT switch off if in use. The Minute Minder function can also be used as well when the oven is off.**

### To use or to change the Minute Minder setting:

press button Time function until the symbols  and  flash.

It is now possible to change the Minute Minder setting by pressing button "-" or "+".

### To cancel the Minute Minder:

press button Time function until the symbols  and  flash.

Press button "-" to decrease the time until "0.00" is displayed (Fig. 10).

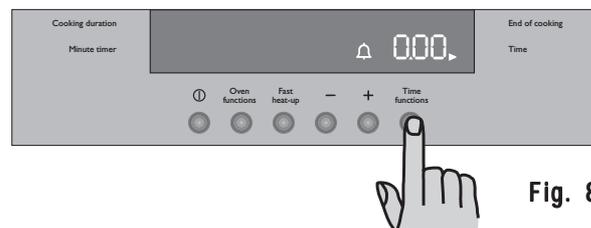


Fig. 8

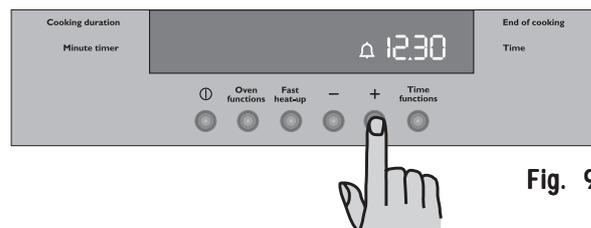


Fig. 9

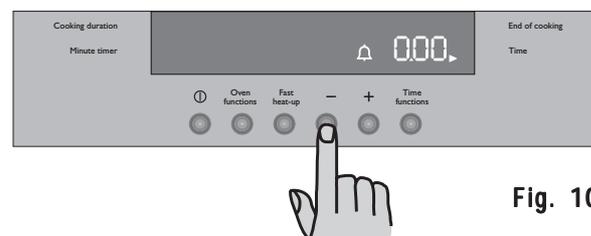


Fig. 10

## To programme the Oven to switch off

- 1) Place food in the oven, switch on the oven, select an Oven function and adjust the cooking temperature, if required (Fig. 11).
- 2) Press button Time function to select the "Cooking Duration" function (Fig. 12). The "Cooking Duration" symbol  will flash and the control panel will display "0.00".
- 3) While the symbol  is flashing, press button "+" to select the required time. Maximum time is 23 hours 59 minutes. The programmer will wait 3 seconds and then start running.
- 4) When cooking time is over, the oven will be switched off automatically and an acoustic alarm will be heard while the control panel will display "0.00".
- 5) To switch off the acoustic alarm, press  button.

### To cancel the Cooking Duration Time:

- press button Time function until the symbol  will flash.
- press button "-" to decrease the time until "0.00" is displayed (Fig. 13).

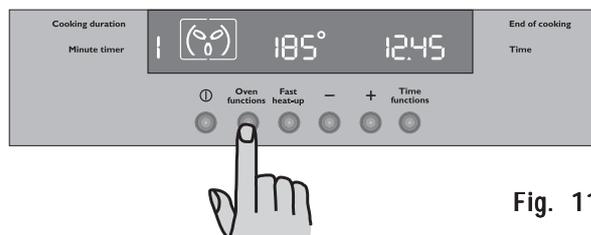


Fig. 11

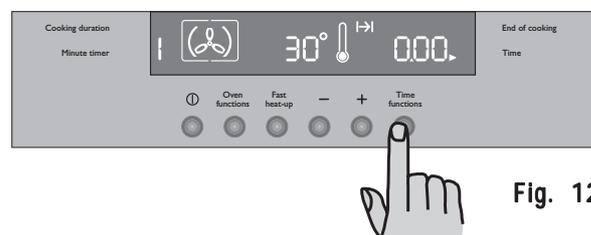


Fig. 12

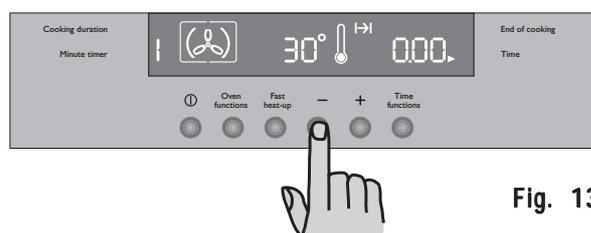


Fig. 13

## To Programme the Oven to Switch On and Off

- 1) Carry out the "Cooking Duration" setting as described in the relevant chapter.
- 2) Press button Time function until the "End of Cooking" function → is selected and the relevant symbol flashes. The control panel will display the end of cooking time (that is, the actual time + cooking duration time - Fig. 14).
- 3) Press button "+" to select the required end of cooking time.
- 4) After this is set, the programmer will wait 3 seconds and then start running.
- 5) The oven will switch on and off automatically. The end of cooking will be marked by an acoustic alarm.
- 6) To switch off the acoustic alarm, press any button.

To cancel the programme, simply cancel the Duration Time.

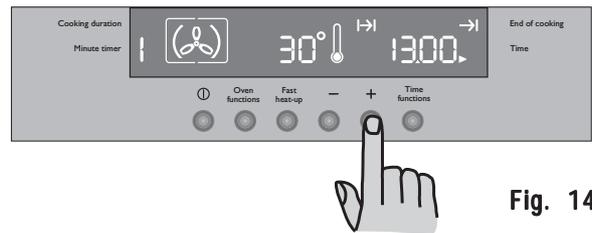


Fig. 14

## Safety and Energy Saving Functions

### Safety Cut-Off Function

The oven will switch off automatically if any change of setting is made, according to the table below (Fig. 15).

If temperature setting is:	the oven will switch off:
250°C	after 3 hours
from 200 up to 245°C	after 5,5 hours
from 120 up to 195°C	after 8,5 hours
less than 120°C	after 12 hours



Fig. 15

### Residual Heat Function

When a Cooking Duration time is set, the oven will automatically switch off a few minutes before the end of the programmed time, and use the residual heat to finish your dishes without energy consumption. All current settings will be displayed until the Cooking Duration time is over.

This function will not operate when the Cooking Duration time is less than 15 minutes.

### Child Safety Function

To avoid children switching on the oven, it is possible to lock the oven controls.

- 1) Turn off the oven by pressing button ①.
- 2) Press buttons Oven function and "-" at the same time and keep them pressed for about 3 seconds. An acoustic signal will be emitted and the indication 'SAFE' will appear on the display (Fig. 16).
- 3) The oven is now locked. Neither oven functions nor temperatures can be selected.

#### To unlock the oven:

Press buttons Oven function and "-" at the same time and keep them pressed for about 3 seconds. An acoustic signal will be emitted and the indication 'SAFE' will go off. The oven can now be operated (Fig. 17).



Fig. 16

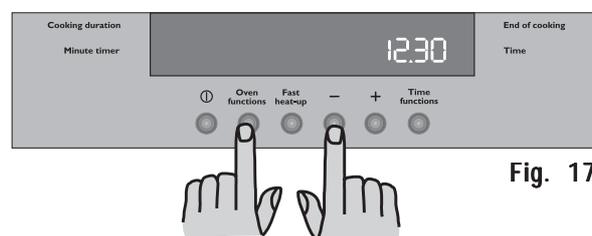


Fig. 17

## "Fast Heat Up" function

After a cooking function has been selected and the temperature has been adjusted, the cavity will gradually heat up until the selected temperature is reached. This will take from 10 to 15 minutes, depending on selected function and temperature.

If it is necessary to reach the required temperature in a shorter time, the "Fast Heat Up" Function can be used.

- 1) Switch the oven on by pressing button .
- 2) Set the required cooking function and temperature as explained in the previous pages.
- 3) Set the temperature by pressing button " " or " ". The temperature will appear on the display.
- 4) Press button Fast heat up. The temperature display will show "FHU" (Fig. 18).
- 5) press button Oven function and the symbol " " will flash for approximately 10 seconds. Now it is possible to select the required temperature by pressing button " " or " ".
- 4) When the required temperature is reached, an acoustic alarm will sound for a short time, and the temperature display will revert to the set temperature.

This function can be used with any cooking function or temperature.

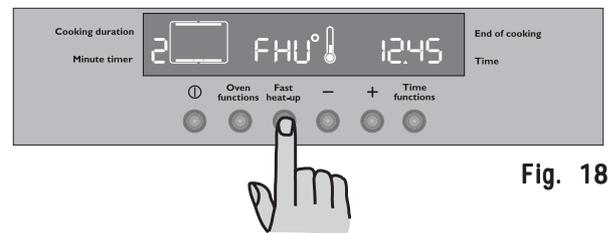


Fig. 18

## Demo mode

This mode is intended to be used in the shops to demonstrate the oven functionality without any power consumption except the oven lamp. To activate this function the appliance should be in stand-by mode.

- Press button Fast heat up and " " for approximately 2 seconds (Fig. 19). An acoustic alarm will sound for a short time.
- Press button  and the "id" indication will appear in the display.

All oven functions can be selected.

The thermometer symbol  will flash as "id" indication and number digits.

**Follow the above described procedure to disable the demo mode.**

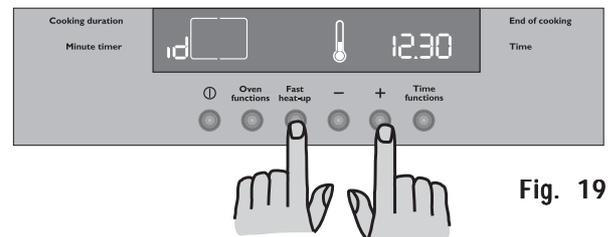


Fig. 19

## Error code

The electronic programmer does a continuous diagnostic check of the system. If some parameters are not correct, the control unit will stop the activated functions and it will show on the display the corresponding error code.

For further details, refer to chapter "Something not working" on page 22.

## "Beep" Mode

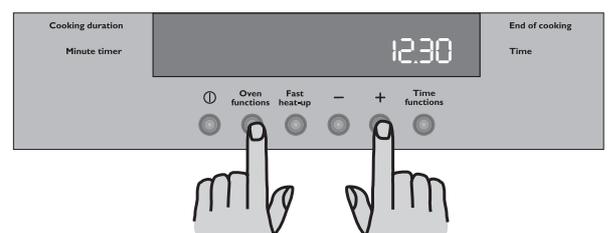
You can choose to make The Electronic Control beep each time that a control is touched.

To enable this function, the oven must be off.

1. Press controls Oven functions and " " at the same time for about 3 seconds. The Electronic Control beeps once

**To disable the "Beep" Function:**

1. If the oven is on, press button  to switch it off.
2. Press controls Oven functions and " " at the same time for about 3 seconds. The Electronic Control beeps once



# The Fan Oven

The air inside the oven is heated by the element around the fan situated behind the back panel. The fan circulates hot air to maintain an even temperature inside the oven.

**The advantages of cooking with this function are:**

## 1. Faster Preheating

As the fan oven quickly reaches temperature, it is not usually necessary to preheat the oven although you may find that you need to allow an extra 5-7 minutes on cooking times. For recipes which require higher temperatures, best results are achieved if the oven is preheated first, e.g. bread, pastries, scones, souffles, etc.

## 2. Lower Temperatures

Fan oven cooking generally requires lower temperatures than conventional cooking.

Follow the temperatures recommended in the cooking chart. Remember to reduce temperatures by about 20-25°C for your own recipes which use conventional cooking.

## 3. Even Heating for Baking

The fan oven has uniform heating on all shelf positions. This means that batches of the same food can be cooked in the oven at the same time. However, the top shelf may brown slightly quicker than the lower one.

This is quite usual. There is no mixing of flavours between dishes.



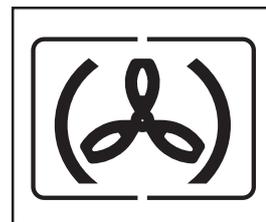
1. Switch the oven on.
2. Press the Oven Function Control button and select the "Fan Cooking" function.
3. If necessary adjust temperature setting using the "+" or "-" buttons.

## THINGS TO NOTE

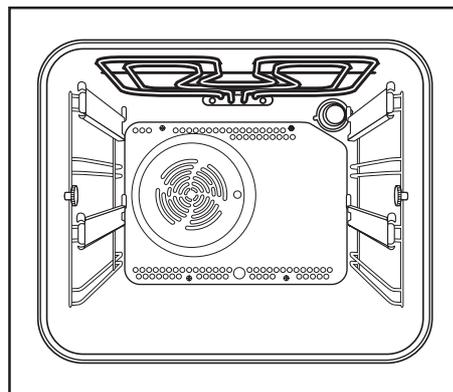
- 1. The oven light will come on when the oven is switched on.
- 2. The cooling fan will operate continually during cooking. It may run on after the oven is switched off to keep the controls cool. This is quite normal.

## NOTE

The action of the cooling fan will depend on how long the oven has been used and at what temperature. It may not switch on at all at lower temperature settings nor run on where the oven has only been used for a short time.



**FAN OVEN FUNCTION SYMBOL**  
**PRE-SET TEMPERATURE: 175°C**  
**TEMPERATURE SELECTION: 30°C - 250°C**



## Hints and Tips

Shelf positions are not critical, but make sure the shelves are evenly spaced.

When cooking more than one dish in the fan oven, place dishes centrally on the shelves rather than several dishes on one shelf.

When the oven is full, you may need to allow a slightly longer cooking time.

A shelf may be placed on the floor of the oven. Place dishes on a shelf in this position rather than on the oven base, to allow air circulation around the food.

When the oven is full of the same food, e.g. equal trays of small cakes or equal size victoria sandwich cakes, then they will be cooked in the same time and removed from the oven together. When different sizes of trays or types of food, e.g. biscuits and cakes are cooked, they will not necessarily be ready together.

The fan oven can be used to heat foods through without thawing first, e.g. fruit tarts, mince pies, sausage rolls, and other small pastry items. Use a temperature of 190-200°C and allow 20-40 minutes (depending on the quantity of food in the oven).

The use of too high temperatures can cause uneven browning. Check with the recommendations for oven temperatures given in the cooking charts, but be prepared to adjust the temperature by 10 °C if necessary. Remember to reduce temperatures by about 20-25°C for your own conventional recipes.

The meat tin **should not** be placed on a heated hotplate or burner as this may cause the enamel to crack.

# The Conventional Oven

When using this setting, heat comes from both the top and bottom elements. This allows you to cook on a single level and is particularly suitable for dishes which require extra base browning such as quiches and flans.

Gratins, lasagnes and hotpots which require extra top browning also cook well in the conventional oven. This form of cooking gives you the opportunity to cook without the fan in operation.

## How to Use the Conventional Oven

1. Switch the oven ON.
2. Select the Conventional Oven Function by pressing the Oven Function control button until the symbol  appears in the display.
3. If necessary adjust temperature setting using the "+" or "-" buttons.

## Bottom oven element only

This function is particularly useful when blind-baking pastry. It may also be used to finish off quiches or flans to ensure the base pastry is cooked through.

**Pre-set temperature is 250°C.**

## Top oven element only

This function is particularly useful to finish off quiches or flans to ensure the top pastry is cooked through.

**Pre-set temperature is 250°C.**

## THINGS TO NOTE

During cooking, the cooling fan will operate in the same way as described for the fan oven function.

## Hints and Tips

The middle shelf position allows for the best heat distribution. To increase base browning simply lower the shelf position. To increase top browning, raise the shelf position.

The material and finish of the baking trays and dishes used will affect base browning. Enamelware, dark, heavy or non-stick utensils increase base browning, while oven glassware, shiny aluminium or polished steel trays reflect the heat away and give less base browning.

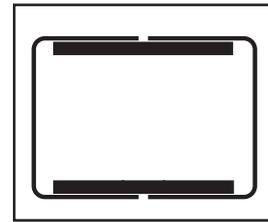
Always place dishes centrally on the shelf to ensure even browning.

Stand dishes on suitably sized baking trays to prevent spillage onto the base of the oven and make cleaning easier.

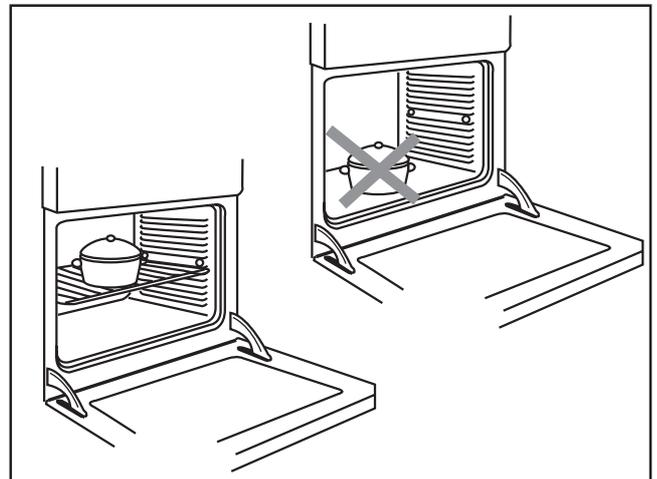
**Do not** place dishes, tins or baking trays directly on the oven base as it becomes very hot and damage will occur.

For faster preheating use the Fast Heat-Up Function.

Single level cooking gives best results. If you require more than one level cooking use the fan oven function.

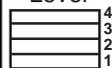
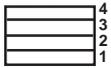


CONVENTIONAL OVEN FUNCTION  
SYMBOL  
PRE-SET TEMPERATURE: 200°C  
TEMPERATURE SELECTION: 30°C -  
250°C



# Cooking Chart- Conventional and Fan cooking

**i** Cooking times in the tables do not include pre-heating. We recommend to pre-heat the oven for about 10 minutes before cooking.

Weight (gr.)	TYPE OF DISH	Conventional Cooking		Fan Cooking 		Cooking time  minutes	NOTES
		Level 	temp. °C	Level 	temp. °C		
	<b>CAKES</b>						
	Whisked recipes	2	170	2 (1 and 3)*	160	45 ~ 60	In cake mould
	Shortbread dough	2	170	2 (1 and 3)*	160	20 ~ 30	In cake mould
	Butter-milk cheese cake	1	160	2	150	60 ~ 80	In cake mould
	Apple cake	1	180	2 (1 and 3)*	170	40 ~ 60	In cake mould
	Strudel	2	175	2	150	60 ~ 80	
	Jam-tart	2	175	2 (1 and 3)*	160	30 ~ 40	
	Fruit cake	1	175	1	160	45 ~ 60	In bread tin
	Sponge cake	1	175	2 (1 and 3)*	160	30 ~ 40	In cake mould
	Christmas cake	1	170	1	160	40 ~ 60	In cake mould
	Plum cake	1	170	1	160	50 ~ 60	In bread tin
	Small cakes	2	175	2 (1 and 3)*	160	25 ~ 35	In baking tray
	Biscuits	2	160	2 (1 and 3)*	150	20 ~ 30	In baking tray
	Meringues	2	100	2 (1 and 3)*	100	90 ~ 120	In baking tray
	Buns	2	190	2 (1 and 3)*	180	12 ~ 20	In baking tray
	Pastry: Choux	2	200	2 (1 and 3)*	190	15 ~ 25	In baking tray
	<b>BREAD AND PIZZA</b>						
1000	White bread	1	190	2	180	40 ~ 60	1-2 pieces
500	Rye bread	1	190	1	180	30 ~ 45	In bread tin
500	Bread rolls	2	200	2 (1 and 3)*	175	20 ~ 35	6-8 rolls
250	Pizza	1	210	2 (1 and 3)*	190	15 ~ 30	on baking tray
	<b>FLANS</b>						
	Pasta flan	2	200	2 (1 and 3)*	175	40 ~ 50	in mould
	Vegetable flan	2	200	2 (1 and 3)*	175	45 ~ 60	in mould
	Quiches	1	200	2 (1 and 3)*	180	35 ~ 45	in mould
	Lasagne	2	180	2	160	45 ~ 60	in mould
	Cannelloni	2	200	2	175	40 ~ 55	in mould
	<b>MEAT</b>						
1000	Beef	2	190	2	175	50 ~ 70	On grid
1200	Pork	2	180	2	175	100 ~ 130	On grid
1000	Veal	2	190	2	175	90 ~ 120	On grid
1500	English roast beef						
1500	rare	2	210	2	200	50 ~ 60	On grid
1500	medium	2	210	2	200	60 ~ 70	On grid
1500	well done	2	210	2	200	70 ~ 80	On grid
2000	Shoulder of pork	2	180	2	170	120 ~ 150	With rind
1200	Shin of pork	2	180	2	160	100 ~ 120	2 pieces
1200	Lamb	2	190	2	175	110 ~ 130	Leg
1000	Chicken	2	190	2	175	60 ~ 80	Whole
4000	Turkey	2	180	2	160	210 ~ 240	Whole
1500	Duck	2	175	2	160	120 ~ 150	Whole
3000	Goose	2	175	2	160	150 ~ 200	Whole
1200	Rabbit	2	190	2	175	60 ~ 80	Cut in pieces
1500	Hare	2	190	2	175	150 ~ 200	Cut in pieces
800	Pheasant	2	190	2	175	90 ~ 120	Whole
	Meat loaf	2	180	2	160	40 ~ 60	in bread pan
	<b>FISH</b>						
1200	Trout/Sea bream	2	190	2 (1 and 3)*	175	30 ~ 40	3-4 fishes
1500	Tuna fish/Salmon	2	190	2 (1 and 3)*	175	25 ~ 35	4-6 fillets

This chart is intended as a guide only. It may be necessary to increase or decrease the temperature to suit your individual requirements. Only experience will enable you to determine the correct setting for your personal requirements.

If you wish to cook more than one dish at the same time, we suggest that you change the cooking levels of your dishes during the last 5-10 minutes in order to obtain a more uniform colour of your dishes.

(\*) If you need to cook more than one dish at the same time, we recommend you to place them on the levels quoted between brackets. Shelf positions are counted from bottom of the oven.

# Grilling



**Grilling must be carried out with the oven door closed.**

**The grill pan handles must be removed from the pan during grilling.** Always use oven gloves to remove and replace the grill pan handles.

Ensure that you **support** the grill pan when removing it from the oven.

## How to Use the Full Grill

1. Switch the oven ON.
2. Select the Full Grill function by pressing the Oven Function control button Oven function until the symbol  appears in the display.
3. If necessary adjust temperature setting using the "+" or "-" buttons.
4. Adjust the grid and grill pan runner position to allow for different thicknesses of food. Position the food close to the element for faster cooking and further away for more gentle cooking.

Preheat the grill on a full setting for a few minutes before sealing steaks or toasting. Adjust the heat setting and the shelf as necessary, during cooking.

During cooking, the cooling fan and the thermostat control light will operate in the same way as described for the fan oven function.

## How to Use the Inner Grill Element

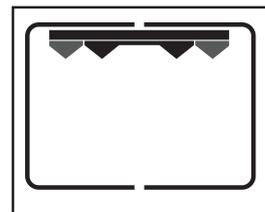
The inner grill provides quick direct heat to the central area of the grill pan. Use the inner grill element for cooking small quantities, it can help to save energy.

1. Switch the oven ON.
2. Select the Inner Grill Element by pressing the Oven Function control button Oven function until the symbol  appears on the display.
3. If necessary adjust temperature setting using the "+" or "-" buttons.
4. Adjust the grid and grill pan runner position to allow for different thicknesses of food and follow the instructions for grilling.

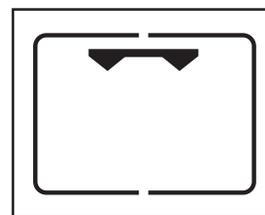
## Hints and Tips

- Most foods should be placed on the grid in the grill pan to allow maximum circulation of air to lift the food out of the fats and juices. Food such as fish, liver and kidneys may be placed directly on the grill pan, if preferred.
- Food should be thoroughly dried before grilling to minimise splashing. Brush lean meats and fish lightly with a little oil or melted butter to keep them moist during cooking.
- Accompaniments such as tomatoes and mushrooms may be placed underneath the grid when grilling meats. When toasting bread, we suggest that the top runner position is used. The food should be turned over during cooking, as required.

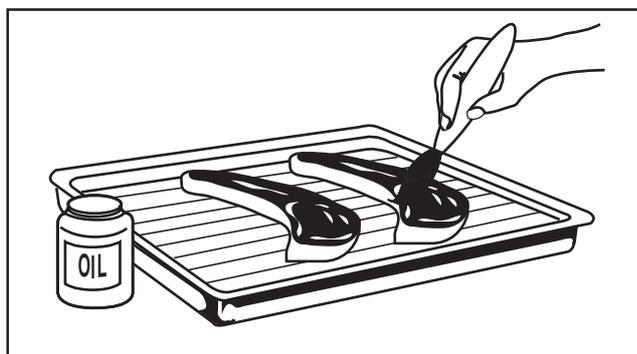
**The grill element is controlled by the thermostat. During cooking, the grill cycles on and off to prevent overheating.**



FULL GRILL FUNCTION	SYMBOL
PRE-SET TEMPERATURE: 250°C	
TEMPERATURE SELECTION 200°C	-



INNER GRILL ELEMENT	SYMBOL
PRE-SET TEMPERATURE: 250°C	
TEMPERATURE SELECTION 200°C	-

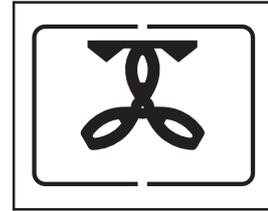


## 👉 How to Use the Thermal Grill

Thermal grilling offers an alternative method of cooking food items normally associated with conventional grilling. The grill element and the oven fan operate alternately, circulating hot air around the food. The need to check and turn the food is reduced. Thermal grilling helps to minimise cooking smells in the kitchen.

With the exception of toast and rare steaks, you can thermally grill all the foods you would normally cook under a conventional grill. Cooking is more gentle, therefore food generally takes a little longer to cook with thermal grilling compared with conventional grilling. One of the advantages is that larger quantities can be cooked at the same time.

1. Switch the oven ON.
2. Select the Thermal Grill Oven Function by pressing the Oven Function control button Oven function until the symbol  appears on the display.
3. If necessary, press "+" or "-" buttons. to adjust the temperature setting.
4. Adjust the grid and grill pan runner position to allow for different thicknesses of food and follow the instructions for grilling.



**THERMAL GRILLING**  
**PRE-SET TEMPERATURE: 180°C**  
**TEMPERATURE SELECTION 30°C - 200°C**  
**DO NOT EXCEED 200°C**

## Hints and Tips

Prepare foods in the same way as for conventional grilling. Brush lean meats and fish lightly with a little oil or butter to keep them moist during cooking.

## Cooking Chart - Grilling

 A general guide to cooking times is given below but these times may vary slightly depending on the thickness and quantity of food being cooked. Cooking times in the tables do not include pre-heating. We recommend to pre-heat the oven for about 10 minutes before cooking.

### Grilling -

TYPE OF DISH	Quantity		Grilling		Cooking time (minutes) ⌚	
	Pieces	Weight	Level 	temp. °C	Upper side	Lower side
Fillet steaks	4	800	3	max	12 ~ 15	12 ~ 14
Beef-steaks	4	600	3	max	10 ~ 12	6 ~ 8
Sausages	8	—	3	max	12 ~ 15	10 ~ 12
Pork chops	4	600	3	max	12 ~ 16	12 ~ 14
Chicken (cut in two)	2	1000	3	max	30 ~ 35	25 ~ 30
Kebabs	4	—	3	max	10 ~ 15	10 ~ 12
Chicken (breast)	4	400	3	max	12 ~ 15	12 ~ 14
Hamburger	6	600	3	max	10 ~ 15	8 ~ 10
Fish (fillets)	4	400	3	max	12 ~ 14	10 ~ 12
Sandwiches	4-6	—	3	max	5 ~ 7	—
Toast	4-6	—	3	max	2 ~ 4	2 ~ 3

### Thermal grilling (Select a maximum temperature of 200°C)

TYPE OF DISH	Quantity (gr.)	Shelf level	Temp. °C	Time in minutes	
				lower side	upper side
Rolled joints (turkey)	1000	3	200	30 ~ 40	20 ~ 30
Chicken (cut in two)	1000	3	200	25 ~ 30	20 ~ 30
Chicken legs	—	3	200	15 ~ 20	15 ~ 18
Quail	500	3	200	25 ~ 30	20 ~ 25
Vegetable gratin	—	3	200	20 ~ 25	—
St. Jacques shells	—	3	200	15 ~ 20	—
Mackerel	—	3	200	15 ~ 20	10 ~ 15
Fish slices	800	3	200	12 ~ 15	8 ~ 10

(\*) Food should be turned during cooking using these times as a guide.

The times quoted above are given as a guide and should be adjusted to suit personal taste.

We recommend to pre-heat the oven for about 10 minutes before cooking.



# Cleaning the Oven



Before cleaning always allow the cooling fan to cool the oven down before switching off at the electricity supply.

This appliance cannot be cleaned with steam or with a steam cleaning machine.

The oven should be kept clean at all times. A build-up of fats or other foodstuffs could result in a fire, especially in the grill pan.

## Cleaning materials

Before using any cleaning materials on your oven, check that they are suitable and that their use is recommended by the manufacturer.

Cleaners that contain bleach should NOT be used as they may dull the surface finishes. Harsh abrasives should also be avoided.

## External cleaning

Regularly wipe over the control panel, oven door and door seal using a soft cloth well wrung out in warm water to which a little mild washing-up liquid has been added.



To prevent damaging or weakening the door glass panels avoid the use of the following:

- Household detergent and bleaches
- Impregnated pads unsuitable for non-stick saucepans
- Brillo/Ajax pads or steel wool pads
- Chemical oven pads or aerosols
- Rust removers
- Bath/Sink stain removers

Before cleaning the oven door, we recommend you to remove it from the oven.

Proceed as follows:

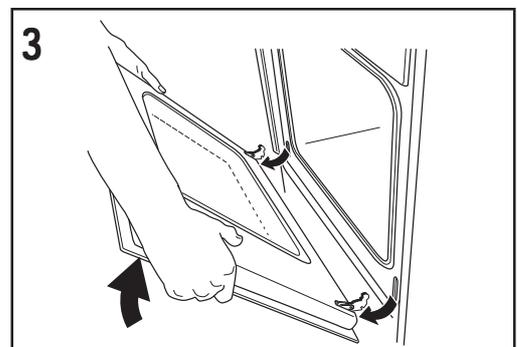
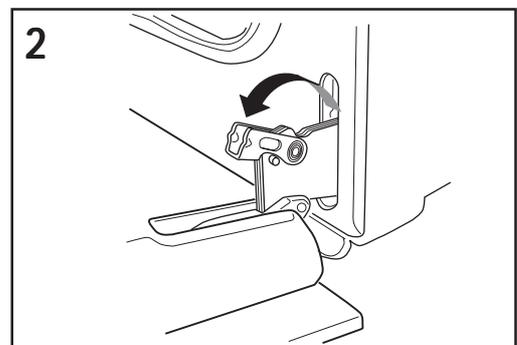
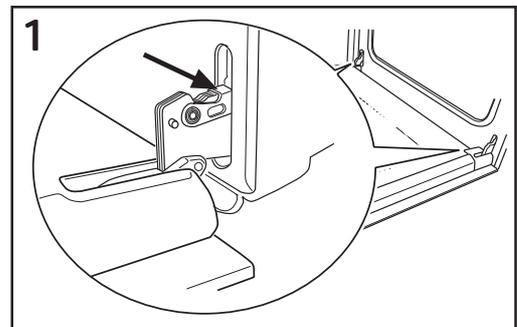
1. open the oven door completely;
2. find the hinges linking the door to the oven (see diagram 1);
3. unlock and turn the small levers located on the two hinges (see diagram 2);
4. handle the door by its left- and right-hand sides, then slowly turn it towards the oven until it is half-closed (see diagram 3);
5. gently pull the oven door off its site (see diagram 3);
6. place it on a steady plan;

Clean the outer and inner door glass using warm soapy water. Should the inner door glass become heavily soiled it is recommended that a cleaning product such as Hob Brite is used. Do not use paint scrapers to remove soilage.



**DO NOT** clean the oven door while the glass panels are warm. If this precaution is not observed the glass panel may shatter.

If the door glass panel becomes chipped or has deep scratches, the glass will be weakened and must be replaced to prevent the possibility of the panel shattering. Contact your local Repair agent who will be pleased to advise further.



## Oven Cavity

The enamelled oven cavity is best cleaned whilst the oven is still warm.

Wipe the oven over with a soft cloth soaked in warm soapy water after each use. From time to time it will be necessary to do a more thorough cleaning, using a proprietary oven cleaner.

## The Oven door gasket

The correct operation of the oven is ensured by a gasket placed round the edge of the oven cavity.

- Periodically **check** the condition of this gasket. If necessary, clean it without using abrasive cleaning products.
- If the gasket shows to be **damaged**, call your local Service Centre. Do not use the oven until it has been repaired.

## Shelf Supports and Catalytic Panels

The shelf supports and the catalytic panels can be removed for easy cleaning.

**i** Make sure that the appliance is completely cooled before carrying out this operation.

Proceed as follows:

- 1) remove the front screw while keeping the shelf support and the catalytic panel in position with the other hand (see diagram 1);
- 2) keep the shelf support and the catalytic panel in position and lift them with a hand while disengaging the rear hook. Take off the shelf support and the catalytic panel (see diagram 2);
- 3) once the cleaning is carried out, fit the shelf support and the catalytic panel together and mount them following the procedure in reverse.

Please, ensure the retaining nuts are secure when refitting the shelf support and the catalytic panel.

To clean the oven shelves, soak in warm soapy water and remove stubborn marks with a well wetted soap impregnated pad. Rinse well and dry with a soft cloth.

**!** **DO NOT attempt to clean catalytic enamel which covers the left, right sides of the oven cavity.**

## Care of catalytic liners

Catalytic liners (except for the oven base) destroy splashes of food and fats when the oven temperature is raised to around 220°C.

To aid this process it is a good idea to run the oven for an hour or two per week, without food, to ensure continued good performance from the Catalytic liners.

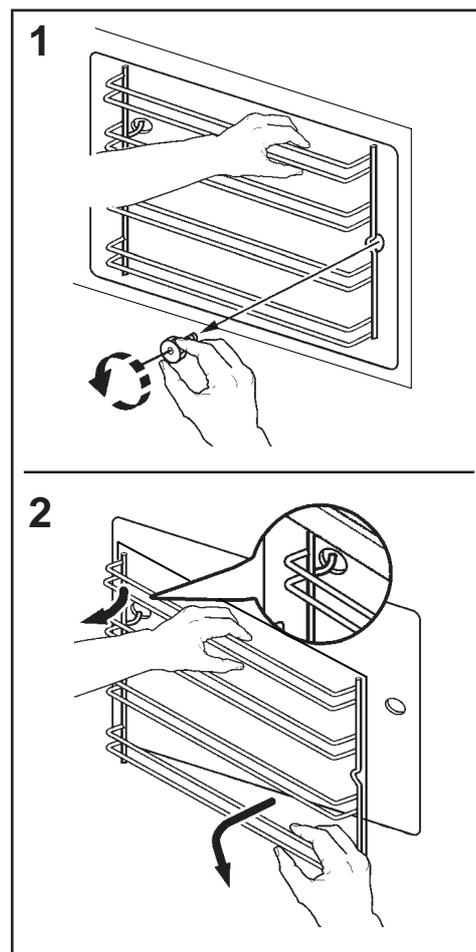
### **i** Hints and Tips

- Manual cleaning of the Catalytic liner is not recommended. Damage will occur if soap impregnated steel wool pads, aerosol cleaners and any other abrasives are used.
- Slight discolouration and polishing of the Catalytic surface may occur in time. This does not affect the Catalytic properties in any way.

## Oven Shelves and Shelf Supports

**Clean the oven shelf support before proceeding to the catalytic cleaning of the oven.**

To clean the oven shelves and the shelf supports, soak in warm soapy water and remove stubborn marks with a well wetted soap impregnated pad. Rinse well and dry with a soft cloth.



- Follow the recommendations in "Cooking to reduce soilage".

## Cooking to reduce soilage

Cook at the recommended temperatures. Higher temperatures during roasting will increase soilage. Try cooking at lower temperatures for an increased length of time, you will save energy and often the joint is more tender.

Use minimal, if any, extra oil or fat when roasting meat; potatoes only require brushing with fat before cooking. Extra fat in the oven during roasting will increase splashing and soilage. It is NOT necessary to add water to the meat tin when roasting. The water and the fat juices from the joint create excessive splattering during cooking, even at normal temperatures, as well as causing condensation.

Covering joints during cooking will also prevent splashing onto the interior surfaces; removing the covering for the last 20-30 minutes will allow extra browning, if required. Some large joints and turkeys especially benefit from this method of cooking, allowing the joint to cook through before the outside is overbrowned.

**Do use** the roasting tin. During roasting, the fat from the joint will be contained beneath the trivet and therefore prevent it from splattering onto the 'Catalytic' liner.

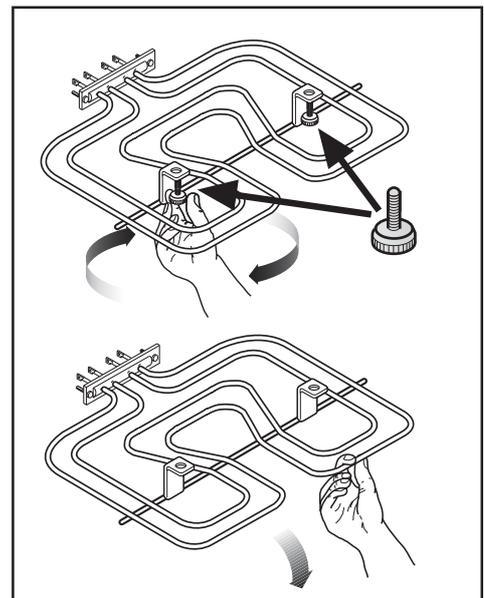
## The Hinged Grill

This model is fitted with a hinged grill element, to enable you to clean the roof of the oven easily.

 **Before proceeding ensure the oven is cool and is isolated from the electricity supply.**

- 1 Undo the screws which hold the grill in place (see diagram). When doing this operation for the first time, we recommend using a screwdriver.
- 2 Then gently pull the grill downward to allow access to the oven roof.
- 3 Clean the oven roof with a suitable cleaner and wipe dry before replacing the hinged grill element.
- 4 Gently push up the grill element into place and firmly screw into place the holding nuts.

 **Ensure the grill holding nuts are firmly in place to avoid the grill falling down when in use.**



## Replacing the Oven Light

 **Disconnect the appliance from the power supply.**

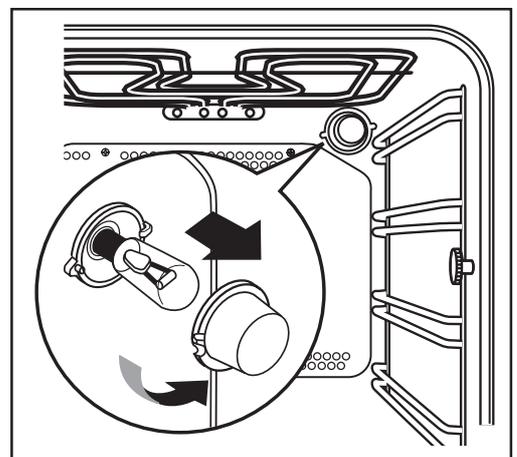
If the oven bulb needs replacing, it must comply with the following specifications:

- Wattage power: 15/25 W,
- Voltage: 230 V (50 Hz),
- Resistant to temperatures of 300°C,
- Connection type: E14.

These bulbs are available from your local Service Force Centre.

 To replace the faulty bulb:

1. **Ensure the oven is disconnected from the electrical supply.**
2. Turn the glass cover anticlockwise.
3. Remove the faulty bulb and replace with the new one.
4. Refit the glass cover.
5. Reconnect to the electrical supply.



# Something not working

If the appliance is not working correctly, please carry out the following checks before contacting your local Customer Care Department.

<b>SYMPTOM</b>	<b>SOLUTION</b>
■ The oven does not come on.	◆ Press the OVEN ON button, then select a cooking function. ◆ Check the fuse and ensure the socket switch or the switch from the mains supply to the oven are ON.
■ The oven light does not come on.	◆ Switch on the oven using push button 1. ◆ Check the light bulb, and replace it if necessary (see "Replacing the Oven Light")
■ It takes too long to finish the dishes, or they are cooked too fast.	◆ The temperature may need adjusting ◆ Refer to the cooking function sections and to any cooking chart provided
■ Steam and condensation settle on the food and the oven cavity.	◆ Leave dishes inside the oven no longer than 15-20 minutes after the cooking is completed.
■ The timer does not work.	◆ Check the instructions for the timer.
■ The oven fan is noisy.	◆ Check that shelves and bakeware are not vibrating in contact with the oven back panel.
■ An error code (for example, "F" followed by digits) appears on the control panel.	◆ Take note of the error code and contact an authorised Service Centre.
■ The display shows "12.00".	◆ Set the time of day (see chapter "To set the correct time of day").

# Repairs - After Sales Service

If your oven is not performing satisfactorily; consult the fault finding guides within this instruction book (What to do if...). In the event of a fault occurring which you cannot resolve yourself from advice given within this instruction manual. Your first step is to contact our extended warranty administrators on **0870 0107887** who will give you details for your local Service Force centre.

When contacting the Service Force centre, please quote the model (Mod.) and serial number (S.N.), both of which are shown on the rating plate located on the side of the oven door (see picture).

So that you always have these numbers at hand, we recommend you to make a note of them here:

Mod. : .....

PNC : .....

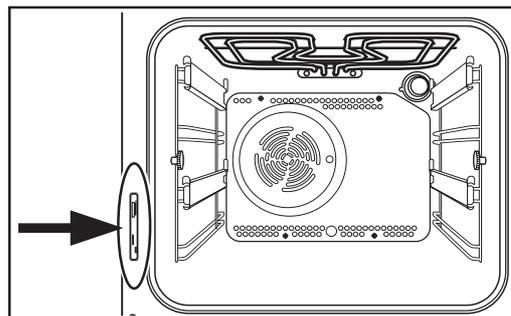
S.N. : .....

Your oven is covered by a 3 year parts and labour guarantee (see separate details). Please retain your purchase receipt safely for the service engineer to verify the purchase details.

## Spare parts

This product should be serviced by an authorised service engineer, and only genuine spare parts should be used. Under no circumstances should you attempt to repair the machine yourself.

Repairs carried out by inexperienced persons may cause injury or serious malfunctioning. Contact our extended warranty administrators on **0870 0107887** who will give you details for your local Service Force centre. Always insist on genuine spare parts.



-	ES	DA	DE	EL	EN	FR	IT	NL	PT	SV	FI	
1	Fabricante	Mærke	Hersteller	Προμηθευτής	Manufacturer	Fabricant	Costruttore	Fabrikant	Fabricante	Leverantör	Tavarantoimittaja	John Lewis
2	Modelo	Model	Modell	Μοντέλο	Model	Modèle	Modello	Model	Modelo	Modell	Malli	JLBIOS602
3	Clase de eficiencia energética	Relativt energiforbrug	Energieeffizienzklasse	Τάξη ενεργειακής απόδοσης	Energy efficiency class	Classement selon son efficacité énergétique	Classe di efficienza energetica	Energie-efficiëntieklasse	Classe de eficiência energética	Energieeffektivitetsklass	Energiatohokkuusluokka	
4	- Calentamiento convencional	- Traditionel opvarmning	- Konventionelle Beheizung	- Συμβατική	- Conventional	- Classique	- Convezione naturale	- Conventioneel	- Conveção forçada de ar	- Konventionell värmning	- Ylä-alalämpö	
5	- Convección forzada	- Varmluft	- Um/Heißluft	- Με κυκλοφορία θερμού αέρα	- Forced air convection	- Convection forcée	- Convezione forzata	- Geforceerde luchtconvectie	- Conveção forçada de ar	- Värmning med varmluft	- Kiertolima	
	Consumo de energía Función de calentamiento:	Energiforbrug Opvarmningsfunktion:	Energieverbrauch Beheizung:	Κατανάλωση ενέργειας Λειτουργία θέρμανσης	Energy consumption Heating function:	Consommation d'énergie Fonction chauffage:	Consumo di energia Funzione di riscaldamento:	Energieverbruik Verhittingsfunctie:	Consumo de energia Função de aquecimento:	Energiförbrukning Värmningsfunktion:	Energiankulutus Kuunnestusta pa:	
6	- Calentamiento convencional	- Traditionel opvarmning	- Konventionelle Beheizung	- Συμβατική	- Conventional	- Classique	- Convezione naturale	- Conventioneel	- Conveção forçada de ar	- Konventionell värmning	- Ylä-alalämpö	0,79 kWh
7	- Convección forzada	- Varmluft	- Um/Heißluft	- Με κυκλοφορία θερμού αέρα	- Forced air convection	- Convection forcée	- Convezione forzata	- Geforceerde luchtconvectie	- Conveção forçada de ar	- Värmning med varmluft	- Kiertolima	0,78 kWh
8	- Vapor	- Dampf	- Dampf	- Ατμός	- Steam	- Vapeur	- Vapore	- Stoom	- Vapor	- Ånga	- Höyry	
9	Volumen neto (litros)	Nettovolumen (liter)	Nettovolumen (Liter)	Ωφέλιμος όγκος (λίτρα)	Usable volume (litres)	Volume utile (litres)	Volume utile (litri)	Netto volume (liter)	Volume útil Litros	Användbar volym (liter)	Käyttötilavuus (litraa)	53,0
	Tipo: - Pequeño - Medio - Grande	Type: - Lille - Mellemstort - Stort	Typ: - Klein - Mittel - Groß	Τύπος: - Μικρός - Μεσαίος - Μεγάλος	Size: - Small - Medium - Large	Type: - Faible volume - Volume moyen - Grand volume	Tipo: - Piccolo - Medio - Grande	Type: - Klein - Middelgroot - Groot	Tipo: - pequeno - médio - grande	Storlek: - Liten - Medelstor - Stor	Koko: - Pieni - Keskipokoinen - Suuri	
	Tiempo de cocción con carga normal:	Tilberedningstid ved standardbelastning:	Kochzeit bei Standardbelastung:	Χρόνος για ψησίσιμο τυποποιημένου φορτίου:	Time to cook standard load:	Temps de cuisson en charge normale:	Tempo necessario per cottura carico normale:	Bereidings-tijd bij standaardbelasting:	Tempo de cozedura da carga-padrão:	Tillagningstid för en standardlast:	Paistaoka vakiokuormalla:	
10	- Calentamiento convencional	- Traditionel opvarmning	- Konventionelle Beheizung	- Συμβατική	- Conventional	- Classique	- Convezione naturale	- Conventioneel	- Conveção forçada de ar	- Konventionell värmning	- Ylä-alalämpö	43 min.
11	- Convección forzada	- Varmluft	- Um/Heißluft	- Με κυκλοφορία θερμού αέρα	- Forced air convection	- Convection forcée	- Convezione forzata	- Geforceerde luchtconvectie	- Conveção forçada de ar	- Värmning med varmluft	- Kiertolima	41 min.
12	Superficie de la placa de cocción de mayor tamaño	Arealet af den største bageplade	Größe des größten Backblechs	Η μεγαλύτερη επιφάνεια ψησίματος εκφρασόμενη	The area of the largest baking sheet	Aire de la surface de la plus grande plaque pour pâtisserie	Superficie del piano di cottura più grande	Oppervlakte van de grootste bakplaat	Área da superfície da maior placa de pastelaria	Ytan för den största bakplåten	Suurimman leivinpellin ala	1130 cm <sup>2</sup>
13	Ruido [dB (A) re 1 pW]	Lydeffektniveau dB (A) (Støj)	Geräusch (dB (A) re 1 pW)	Έορυβος [dB (A) ανά 1 pW]	Noise (dB (A) re 1 pW)	Bruit [dB (A) re 1 pW]	Rumore [dB (A) re 1 pW]	Geluidsniveau dB (A) re 1 pW	Nível de ruído dB (A) re 1 pW	Bullernivå dB (A)	Ääni (dB (A) re 1 pW)	
	<ul style="list-style-type: none"> <li>● Más eficiente</li> <li>●●●●●</li> </ul>	<ul style="list-style-type: none"> <li>Bassi consumi</li> <li>Efficient</li> <li>Niedriger Verbrauch</li> <li>Μεταεπίλεκτο</li> <li>More efficient</li> <li>Économé</li> </ul>	<ul style="list-style-type: none"> <li>Menos eficiente</li> <li>Høj forbrug</li> <li>Höher Verbrauch</li> <li>Ανεπίλεκτο</li> <li>Less efficient</li> <li>Peu économe</li> </ul>	<ul style="list-style-type: none"> <li>Alti consumi</li> <li>Inefficient</li> <li>Menos eficiente</li> <li>Hög förbrukning</li> <li>Pajon kulttava</li> </ul>	<ul style="list-style-type: none"> <li>●● 12 l ≤ Volumen neto/Nettovolumen/Ωφέλιμος όγκος/Usable volume/Volume utile/ Netto volume/Volume útil/Användbar volym/Käyttötilavuus &lt; 35 l</li> <li>●●● 35 l ≤ Volumen neto/Nettovolumen/Ωφέλιμος όγκος/Usable volume/Volume utile/ Netto volume/Volume útil/Användbar volym/Käyttötilavuus &lt; 65 l</li> <li>●●●● 65 l ≤ Volumen neto/Nettovolumen/Ωφέλιμος όγκος/Usable volume/Volume utile/ Netto volume/Volume útil/Användbar volym/Käyttötilavuus</li> </ul>						2002/40/EC	



**John Lewis Partnership**

171 Victoria Street

London SW1E 5NN

[www.johnlewis.com](http://www.johnlewis.com)

## Free Manuals Download Website

<http://myh66.com>

<http://usermanuals.us>

<http://www.somanuals.com>

<http://www.4manuals.cc>

<http://www.manual-lib.com>

<http://www.404manual.com>

<http://www.luxmanual.com>

<http://aubethermostatmanual.com>

Golf course search by state

<http://golfingnear.com>

Email search by domain

<http://emailbydomain.com>

Auto manuals search

<http://auto.somanuals.com>

TV manuals search

<http://tv.somanuals.com>