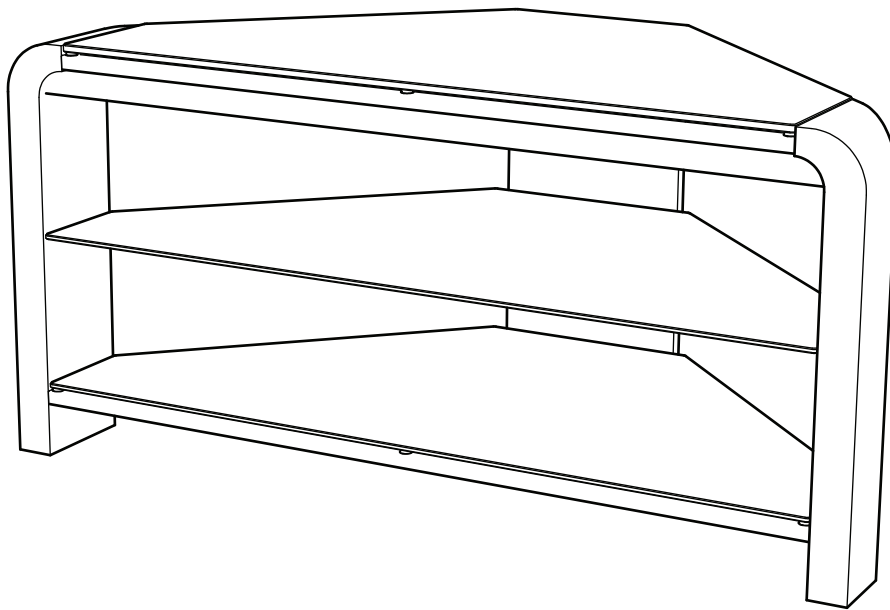


Flat-screen television stand



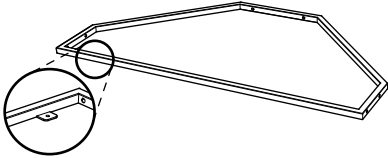
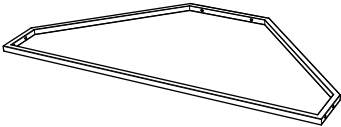
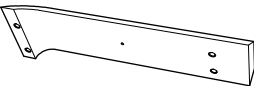
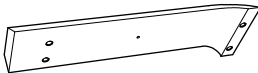
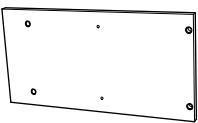
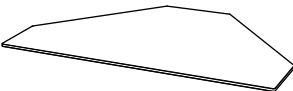


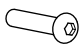




Instruction manual

John Lewis

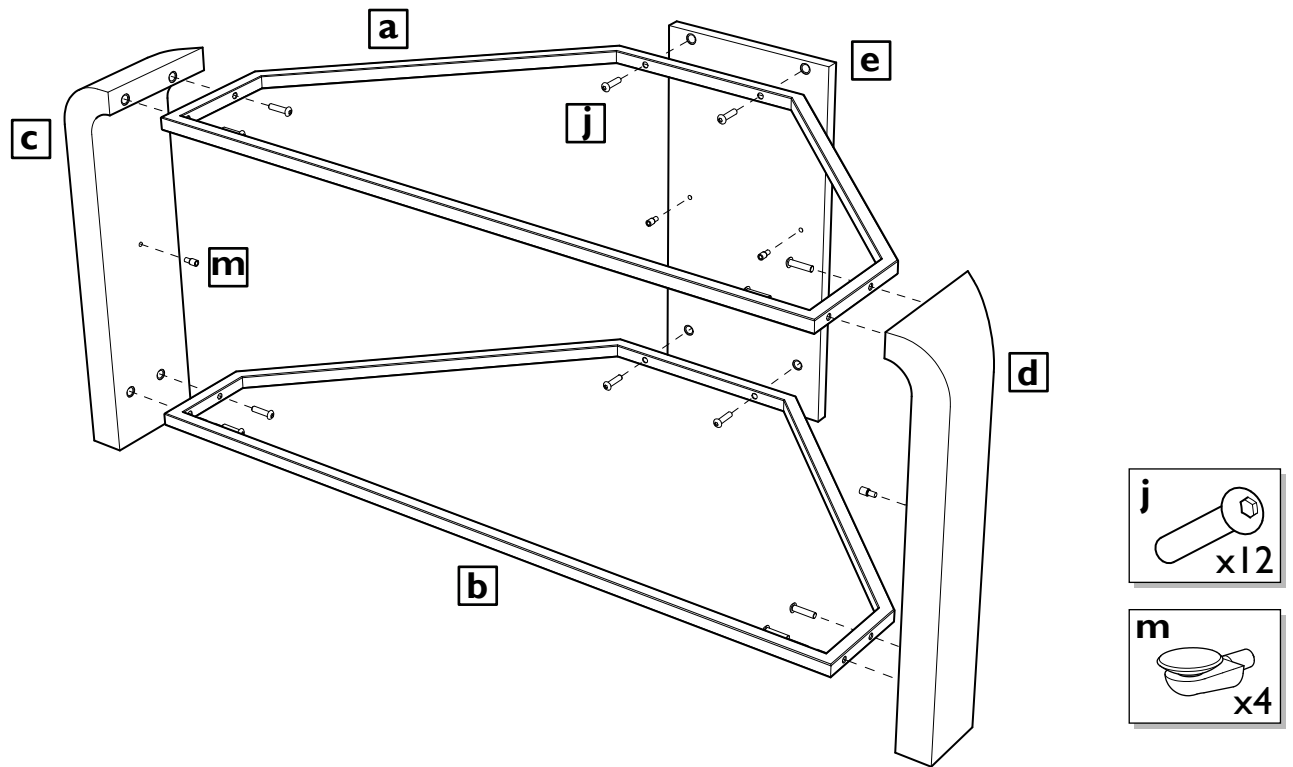
Thank you for purchasing this flat-screen television stand. Please read the instructions carefully to ensure safe and satisfactory operation of this product. Retain this information for future reference.

WARNING!

- Before starting this assembly please take time to familiarise yourself with the components listed below.
- Do not place very hot or very cold items against or in close proximity to glass surfaces unless an adequately thick insulating material is used to prevent such items coming into contact with the glass.
- Do not strike the glass with hard or pointed items.
- When cleaning glass panels use a damp cloth or leather with washing up liquid or soft soap if necessary; do not use washing powders or any other substance containing abrasives as these substances scratch glass.
- Do not sit or stand upon horizontal glass surfaces.
- **Maximum safe load for top glass shelf is 60kg.**

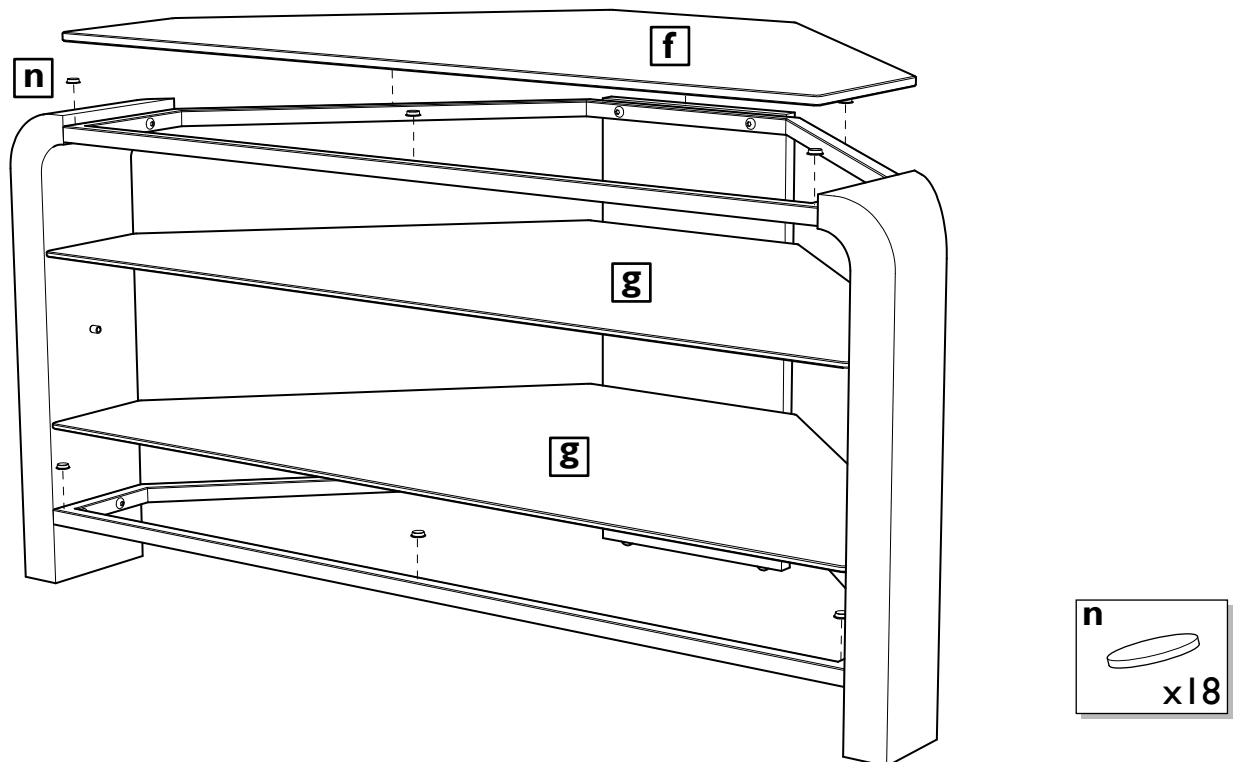
Component		Description	Qty	Packed by
	a	Top shelf frame	1	
	b	Lower shelf frame	1	
	c	Left hand leg	1	
	d	Right hand leg	1	
	e	Back panel	1	
	f	Top Glass Shelf (8mm thick)	1	
	g	Glass Shelf (5mm thick)	2	
	h	Fascia panel (black/walnut)	1	
	j	Fixing screw	15	
	k	Allen key	1	
	m	Shelf support pin	4	
	n	Self-adhesive shelf buffer	18	
	o	Cable tidy clip	2	

Stage 1



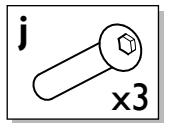
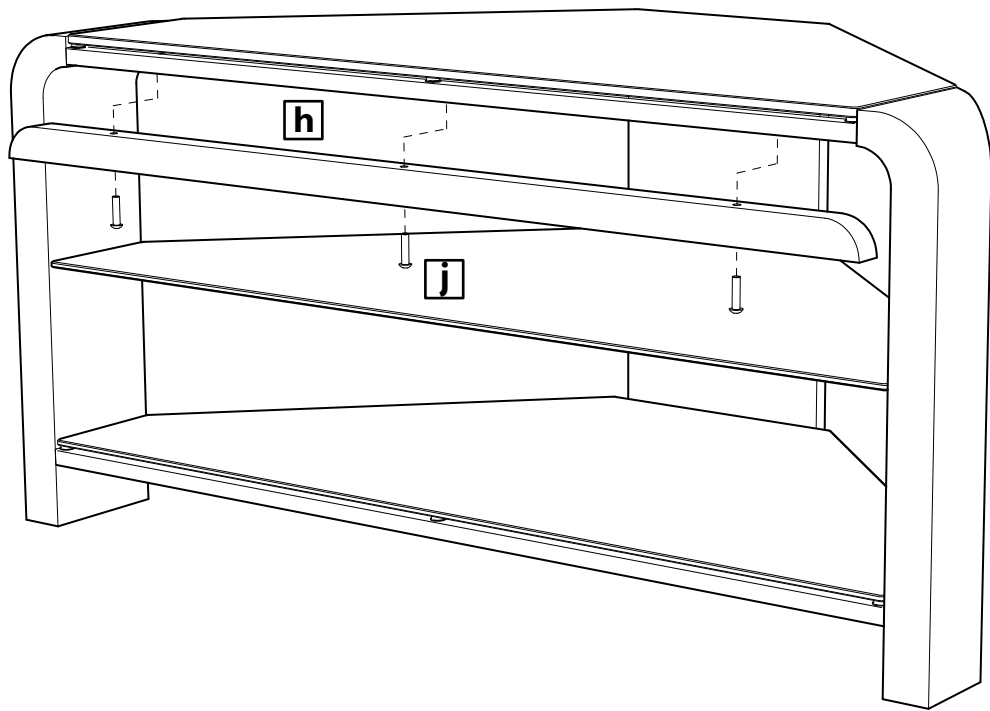
- Attach left leg **c**, right leg **d** and back panel **e** to top shelf frame **a** and lower shelf frame **b** using screws **j** and allen key **k**. **Only fully tighten screws once all components have been attached.**
- Insert shelf support pins **m** into holes in legs and back panel.

Stage 2



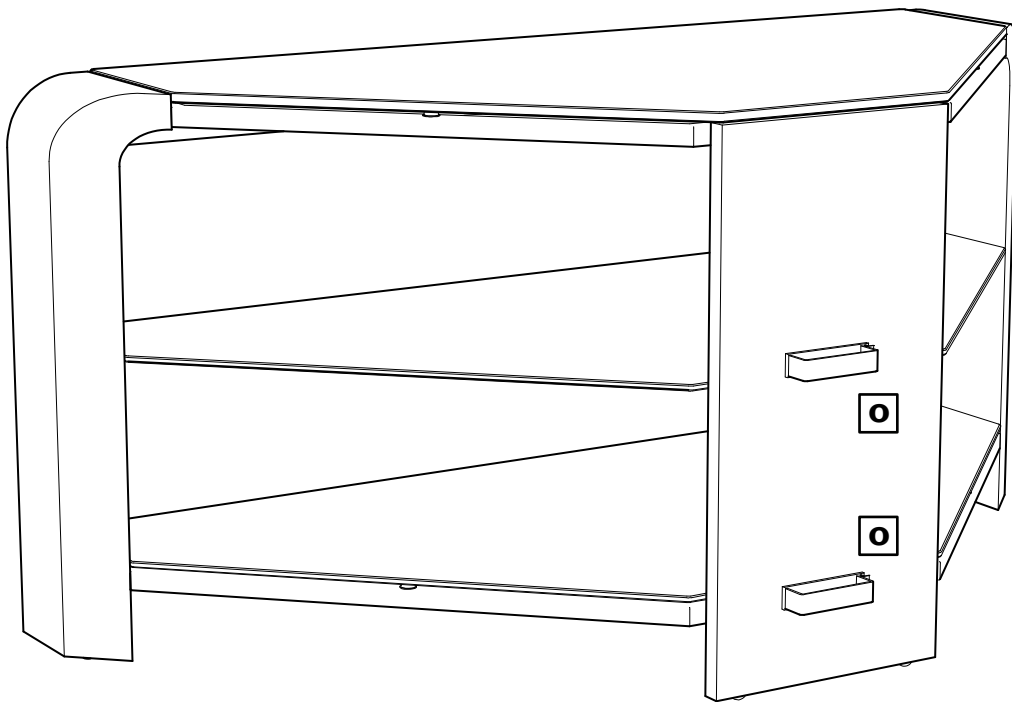
- Attach self-adhesive shelf buffers **n** to shelf frames in positions shown.
- Carefully place glass shelves **g** and glass top shelf **f** onto shelf buffers with the black painted surface of the glass on the underside.

Stage 3



- Attach fascia panel **h** to top shelf frame using screws **j**. The fascia panel can be attached either way round depending on the desired finish, black or walnut.

Stage 4



- Remove protective film from cable tidy clips **o** and attach to rear of back panel.

Free Manuals Download Website

<http://myh66.com>

<http://usermanuals.us>

<http://www.somanuals.com>

<http://www.4manuals.cc>

<http://www.manual-lib.com>

<http://www.404manual.com>

<http://www.luxmanual.com>

<http://aubethermostatmanual.com>

Golf course search by state

<http://golfingnear.com>

Email search by domain

<http://emailbydomain.com>

Auto manuals search

<http://auto.somanuals.com>

TV manuals search

<http://tv.somanuals.com>