

# LT2113

**Spare parts**

**Ersatzteile**

**Pièces détachées**

**Reserve onderdelen**

**Repuestos**

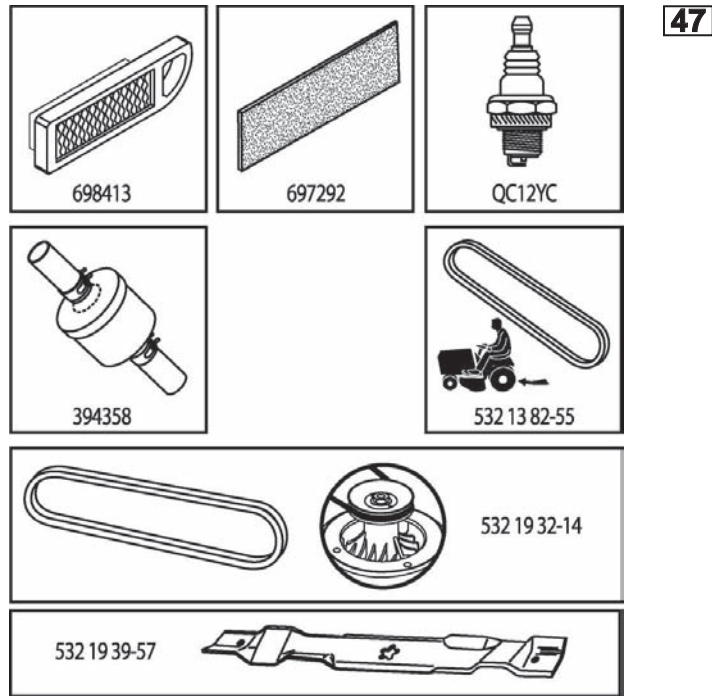
**Reservdelar**

# ILLUSTRATED PARTS LIST

**MFG ID NO. 96011026604**

**CUSTOMER CATALOG NO. LT2113**

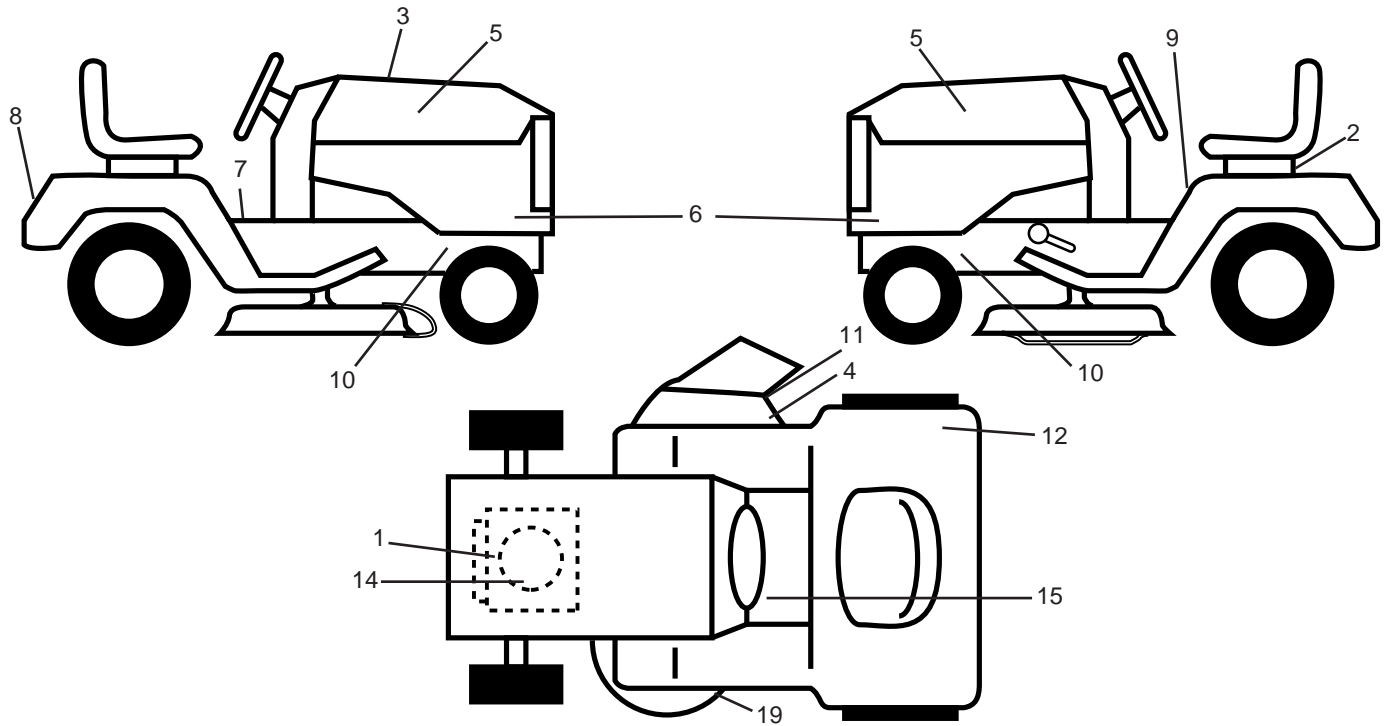
**PRODUCT NO. 960 11 02-66**



419019

532 43 49-43

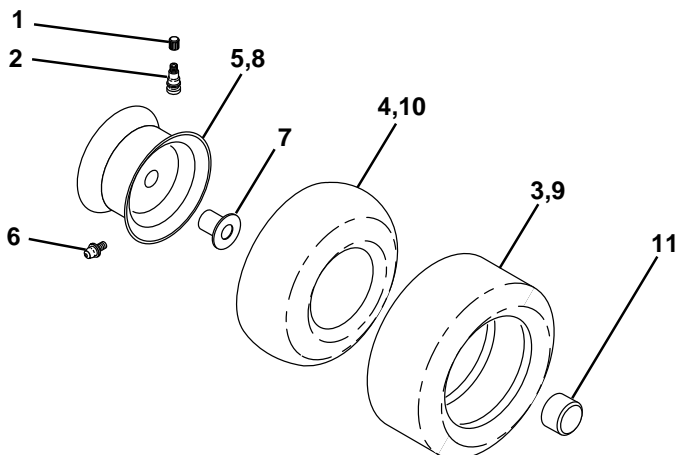
**TRACTOR - - MODEL NO. LT2113 (96011026604), PRODUCT NO. 960 11 02-66  
DECALS 27**



KEY NO.	PART NO.	DESCRIPTION
1	532 19 68-41	Decal, Warning Engine Symbols
2	532 14 50-05	Decal, Bat Dan/Poi P/L Symbols
3	532 41 90-19	Decal, RPL.
4	532 19 63-57	Decal, Deflector Warning Symbols
5	532 42 26-39	Decal, Hood
6	532 42 29-42	Decal, SDPNL
7	532 14 08-37	Decal, Saddle Brake Parking
8	532 18 39-30	Decal, Cover/Belt GRD
9	532 40 03-89	Decal, Warning Sym. CE
10	532 15 97-36	Decal, Chassis Hot Muffler
11	532 18 21-66	Decal, Mower Cut finger Symbol

KEY NO.	PART NO.	DESCRIPTION
12	532 18 04-32	Decal, 100 DbA
14	532 41 79-26	Decal, Eng. HP
15	532 15 97-37	Decal, Brake/Clutch
19	532 19 43-02	Decal, V-Belt Sch
--	532 16 25-98	Decal, Drawbar Load Limit
--	532 13 83-11	Decal, Lift Handle (Lift Handle)
--	532 43 51-81	Manual Operator's Euro
--	532 43 51-82	Manual Operator's Scan
--	532 43 51-83	Manual Operator's Ebloc
--	532 43 51-84	Manual Operator's Baltic

**WHEELS & TIRES**

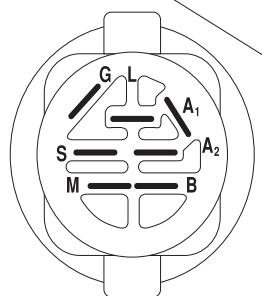
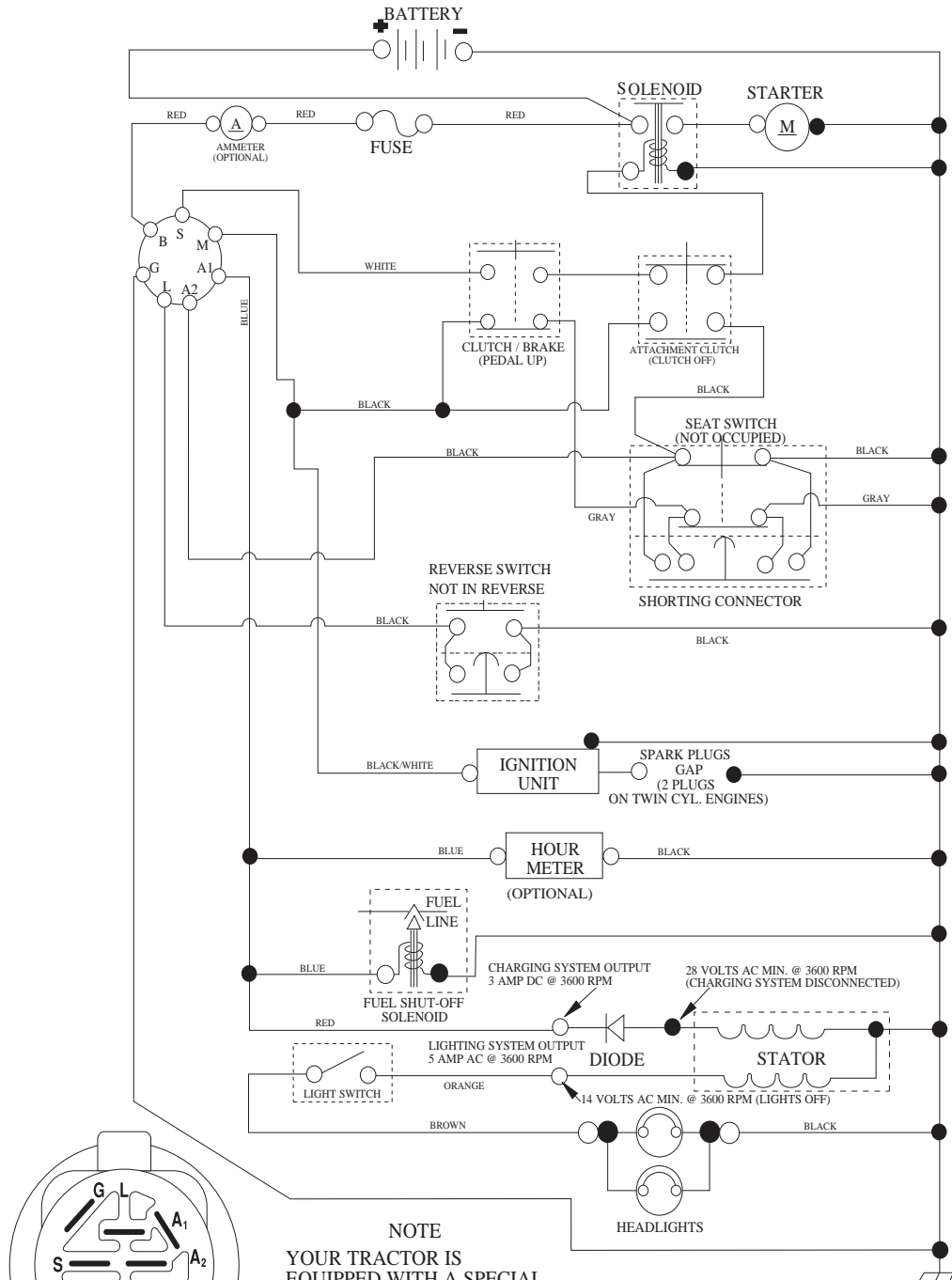


KEY NO.	PART NO.	DESCRIPTION
1	532 05 91-92	Cap Valve Tire
2	532 06 51-39	Stem Valve
3	532 12 41-57	Tire F Ts 15 x 6 - 6 Service
4	532 05 99-04	Tube Front (Service Item Only)
5	532 13 83-36	Rim Asm 6" Front Service
6	532 12 49-57	Fitting Grease (Front Wheel Only)
7	532 12 49-59	Bearing Flange (Front Wheel Only)
8	532 13 83-37	Rim Asm 8" Rear Service
9	532 12 39-69	Tire R Ts 18 x 8.5-8 C. Service
10	532 12 49-26	Tube Rear (Service Item Only)
11	532 17 50-39	Cap Axle Blk 1 50 x 1 00

**NOTE:** All component dimensions given in U.S. inches  
1 inch = 25.4 mm

**TRACTOR - - MODEL NO. LT2113 (96011026604), PRODUCT NO. 960 11 02-66  
SCHEMATIC 38**

SCH03



IGNITION SWITCH

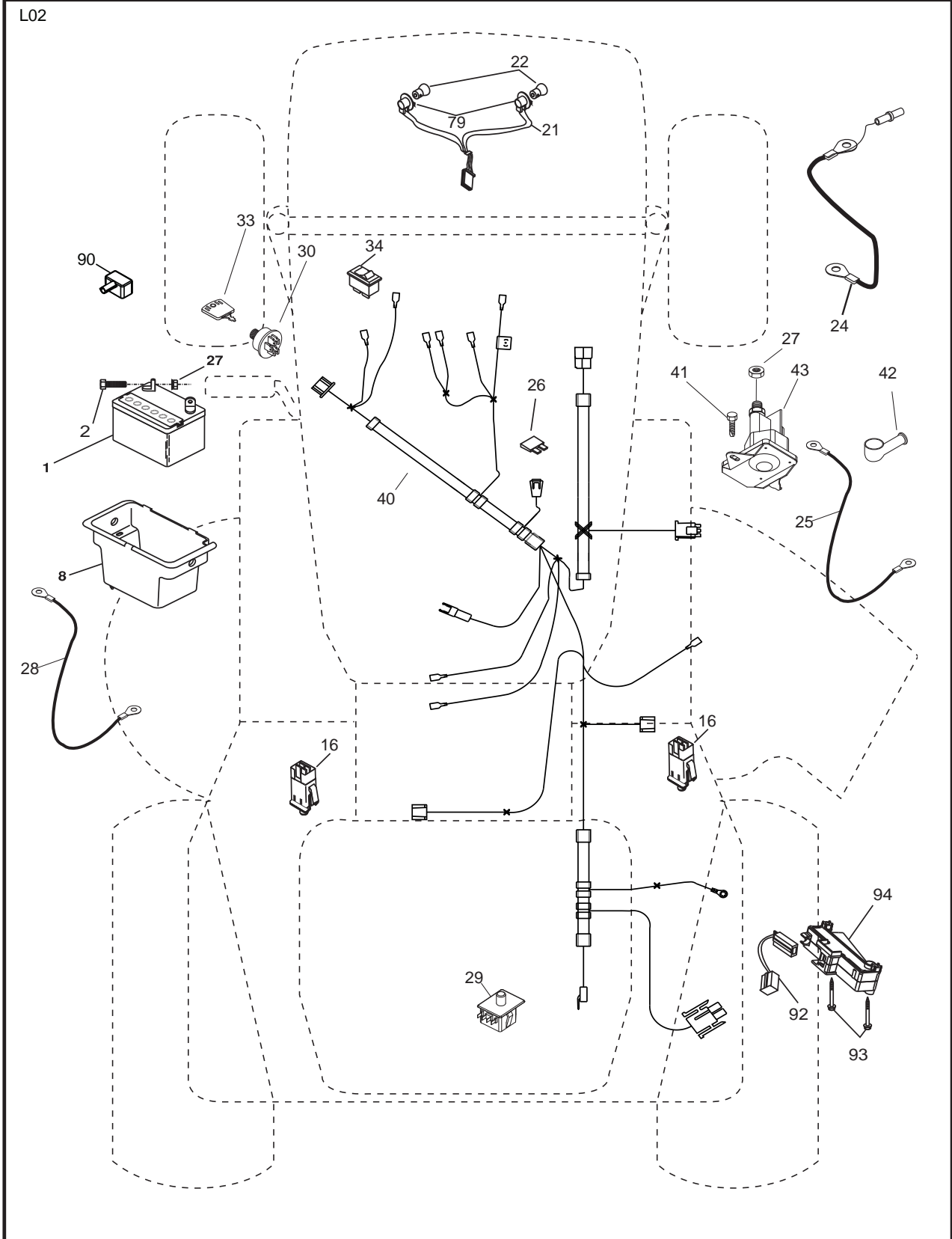
POSITION	CIRCUIT	"MAKE"
OFF	M+G+A1	
RUN/OVERRIDE	B+A1	
RUN	B+A1	L+A2
START	B + S + A1	

**NOTE**  
YOUR TRACTOR IS EQUIPPED WITH A SPECIAL ALTERNATOR SYSTEM. THE LIGHTS ARE NOT CONNECTED TO THE BATTERY, BUT HAVE THEIR OWN ELECTRICAL SOURCE. BECAUSE OF THIS, THE BRIGHTNESS OF THE LIGHTS WILL CHANGE WITH ENGINE SPEED. AT IDLE THE LIGHTS WILL DIM. AS THE ENGINE IS SPEEDED UP, THE LIGHTS WILL BECOME THEIR BRIGHTEST.

● NON-REMOVABLE CONNECTIONS  
○ REMOVABLE CONNECTIONS

WIRING INSULATED CLIPS  
NOTE: IF WIRING INSULATED CLIPS WERE REMOVED FOR SERVICING OF UNIT, THEY SHOULD BE RE-INSTALLED TO PROPERLY SECURE YOUR WIRING.

TRACTOR - - MODEL NO. LT2113 (96011026604), PRODUCT NO. 960 11 02-66  
ELECTRICAL **32**

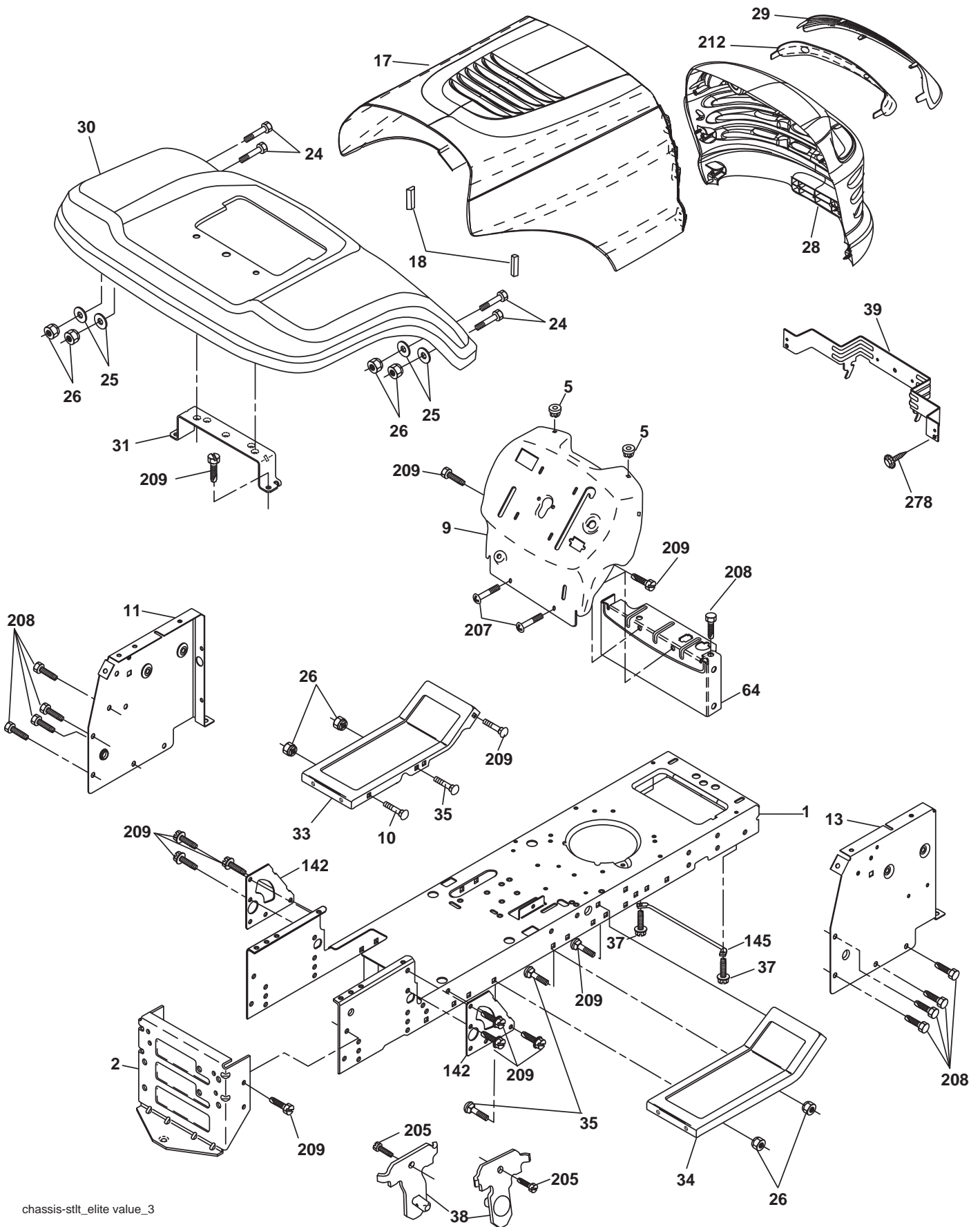


**TRACTOR - - MODEL NO. LT2113 (96011026604), PRODUCT NO. 960 11 02-66  
ELECTRICAL 32**

<b>KEY PART NO.</b>	<b>PART NO.</b>	<b>DESCRIPTION</b>
1	532 16 34-65	Battery
2	874 76 04-12	Bolt Hex Hd 1/4-20 unc x 3/4
8	532 17 66-89	Box Battery Fender
16	532 17 61-38	Switch Interlock
21	532 18 37-59	Harness Headlight
22	532 00 41-52	Bulb.
24	532 42 12-97	Cable Battery 8 Ga w/44 wire Red
25	532 42 12-99	Cable Battery 6 Ga 11" Red
26	532 17 51-58	Fuse
27	873 51 04-00	Nut Keps Hex 1/4-20 unc
28	532 42 12-98	Cable Ground 6 Ga 12" black
29	532 19 27-49	Switch Seat
30	532 19 33-50	Switch Ignition
33	532 41 19-35	Key/Chain
34	532 11 07-12	Switch Light/Reset
40	532 19 74-28	Harness Ignition
41	871 11 04-08	Bolt Blk Fin Hex 1/4 - 20 x 1/2
42	532 13 15-63	Cover Terminal Red
43	532 19 25-07	Solenoid
79	532 17 52-42	Socket Asm. Bulb Twistlock
90	532 18 04-49	Cover Terminal Battery
92	532 19 66-15	Harness Pigtail Console ROS
93	532 19 25-40	Screw Plastite 10-14 x 2.0
94	532 19 18-34	Module Reverse ROS

**NOTE:** All component dimensions given in U.S. inches.  
1 inch = 25.4 mm.

TRACTOR - - MODEL NO. LT2113 (96011026604), PRODUCT NO. 960 11 02-66  
CHASSIS AND ENCLOSURES **39**



chassis-stlt\_elite value\_3

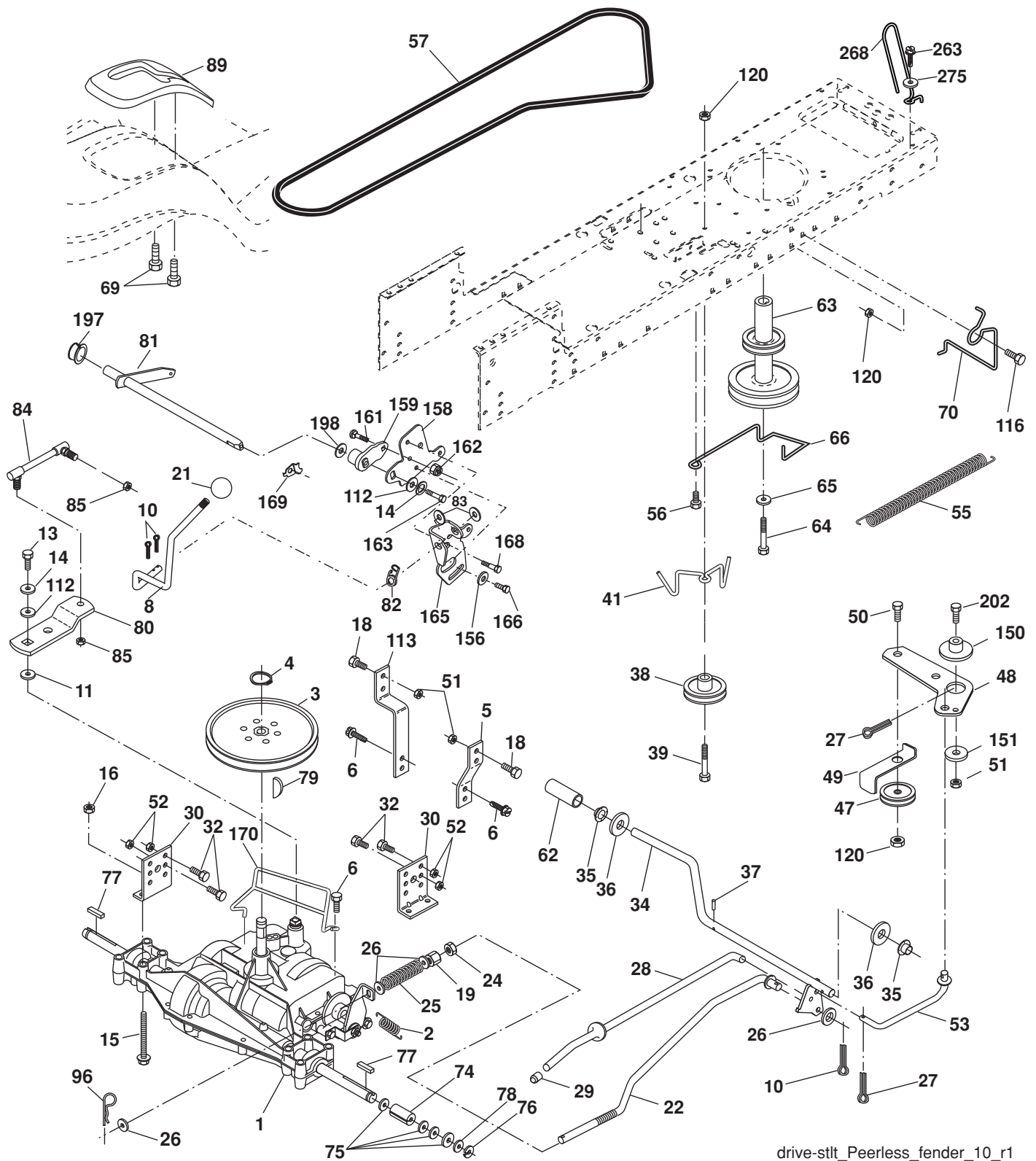
**TRACTOR - - MODEL NO. LT2113 (96011026604), PRODUCT NO. 960 11 02-66  
CHASSIS AND ENCLOSURES 39**

<b>KEY PART NO.</b>	<b>PART NO.</b>	<b>DESCRIPTION</b>
1	532 17 46-19	Chassis
2	532 17 65-54	Drawbar
5	532 15 52-72	BumperHood/Dash
9	532 19 48-22	Dash
10	872 14 06-08	Bolt, Carriage 3/8-16 x 1
11	532 17 49-96	Dashboard, Panel LH
13	532 18 69-52	Dashboard, Panel RH
17	532 18 67-07	Hood Pnt
18	532 18 49-21	BumperHood
24	874 78 06-16	Bolt, Hex Head, Fin. 3/8-16 x 1 Gr. 5
25	819 13 13-12	Washer 13/32 x 13/16 x12 Ga.
26	873 80 06-00	Nut Lock Hex w/Ins. 3/8-16 unc
28	532 18 57-06	Grille
29	532 18 58-46	Lens
30	532 19 57-70	Fender
31	532 13 66-19	Fender Bracket
33	532 18 11-93	Footrest, LH
34	532 18 11-94	Footrest, RH
35	872 11 06-06	Bolt 3/8-16 X 3/4
37	817 49 05-08	Screw Thdrol 5/16-18 x 1/2
38	532 17 57-10	Bracket Asm. Pivot Mower Rear
39	532 40 78-07	Bracket Pivot Laser/Elite
64	532 15 47-98	Dash Lower
142	532 17 57-02	Plate Reinforcement
145	532 40 91-67	Rod Pivot Chassis/Hood
205	817 49 06-08	Screw Thdrol 3/8-16 x 1/2
207	817 67 05-08	Screw Thdrol 5/16-18 x 1/2
208	817 67 06-08	Screw Thdrol 3/8-16 x 1/2
209	817 00 06-12	Screw Hexwsh Thdr 3/8-16 x 3/4
212	532 18 35-50	Insert Lens Reflective
278	532 41 63-58	Screw #10 x 0.750
--	532 00 54-79	Button Plug

**NOTE:** All component dimensions given in U.S. inches.  
1 inch = 25.4 mm.



TRACTOR - - MODEL NO. LT2113 (96011026604), PRODUCT NO. 960 11 02-66  
DRIVE **40**



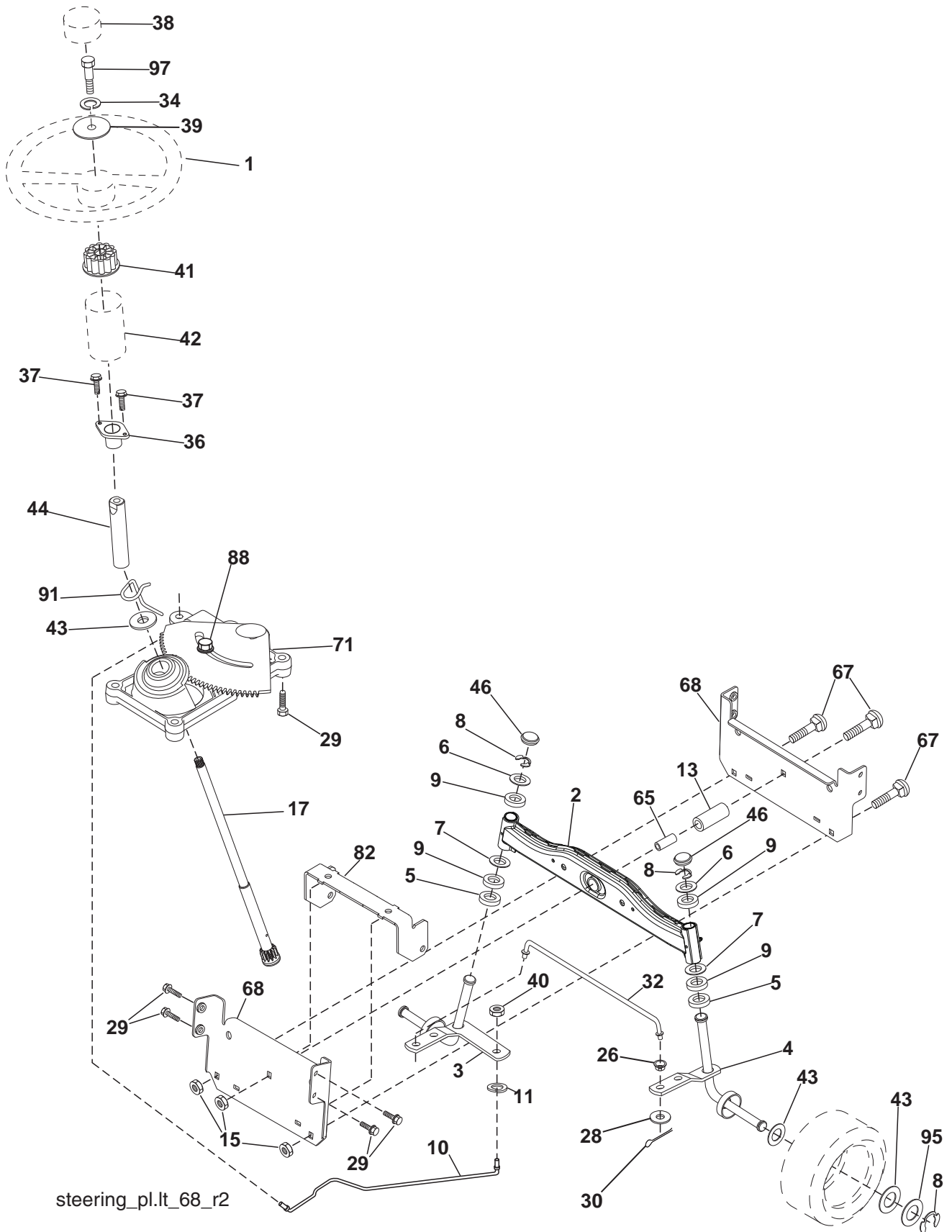
drive-stlt\_Peerless\_fender\_10\_r1

**TRACTOR - - MODEL NO. LT2113 (96011026604), PRODUCT NO. 960 11 02-66  
DRIVE **40****

KEY NO.	PART NO.	DESCRIPTION	KEY NO.	PART NO.	DESCRIPTION
1	-----	Transaxle Peerless 206-545C	69	532 14 24-32	Screw Hex Wsh Hi-Lo
2	532 14 66-82	Spring, Brake Return	70	532 13 46-83	Guide Belt Mower Drive RH
3	532 12 36-66	Pulley, Transaxle	74	532 13 70-57	Spacer Axle
4	812 00 00-28	Ring, Retainer	75	532 12 17-49	Washer 25/32 x 1-1/4 x 16 Ga.
5	532 12 15-20	Strap, Torque	76	812 00 00-01	E-Ring
6	817 06 05-12	Screw, 5/16-18 x 3/4 SMGML	77	532 12 35-83	Key Square
8	532 19 27-06	Rod, Shifter	78	5321217-48	Washer 25/32 x 1-5/8 x 16 Ga.
10	876 02 04-16	Pin, Cotter 1/8 x 1	79	532 12 50-96	Key Woodruff #9 3/16 x 3/4
11	532 10 57-01	Washer, Shift Plate	80	532 13 14-86	Arm Shift
13	874 55 04-12	Bolt 1/4-28 UNF Gr. 8 w/Patch	81	532 16 55-94	Shaft Asm. Cross Taper
14	810 04 04-00	Washer Lock	82	532 16 57-11	Spring Torsion Shift
15	874 49 05-44	Bolt, Hex Flghd 5/16-18 Gr. 5	83	819 17 12-16	Washer 17/32 x 3/4 x 16 Ga.
16	873 80 05-00	Nut Lock 5/16-18 unc	84	532 16 62-28	Link Trans.
18	874 78 06-16	Bolt, Fin Hex 3/8-16 Unc x 1 Gr. 5	85	532 15 03-60	Nut Lock Center 1/4-28
19	873 80 06-00	Locknut 3/8-16	89	532 19 49-71	Console Shift
21	532 10 69-33	Knob	96	532 12 47-88	Retainer Spring 1" Ziinc/Cad
22	532 13 08-04	Rod, Brake	112	819 09 12-10	Washer 9/32 x 3/4 x 10 Ga.
24	873 35 06-00	Nut, Hex Jam 3/8-16	113	532 12 72-85	Strap Torque L.H. Lt
25	532 10 68-88	Spring, Rod, Brake	116	872 14 06-08	Bolt RDHD SQNK 3/8-16 unc x 1
26	819 13 13-16	Washer 13/32 x 13/16 x 16 Ga.	120	873 90 06-00	Nut Lock Flg. 3/8-16 unc
27	876 02 04-12	Pin, Cotter 1/8 x 3/4	150	532 17 54-56	SpacerRetainer
28	532 17 57-65	Rod, Brake, Park	151	819 13 32-10	Washer 13/32 x 2 x 10 Ga.
29	532 07 16-73	Cap, Plunger	156	532 16 60-02	Washer 5/16 ID x 10 x .125
30	532 17 49-73	Bracket, Transaxle, L.H.	158	532 16 55-89	Bracket Shift Mound
32	874 76 05-12	Bolt Hex Hd 5/16-18 unc x 3/4	159	532 18 39-00	Hub Shift
34	532 17 55-78	Shaft, Foot Pedal	161	872 14 04-06	Bolt Rdhd Sqnk 1/4-20 x 3/4 Gr. 5
35	532 12 01-83	Bearing Nylon	162	873 68 04-00	Nut Crownlock 1/4-20 unc
36	819 21 16-16	Washer 21/32 x 1 x 16 Ga.	163	874 78 04-16	Bolt Hex Fin 1/4-20 unc x 1 Gr. 5
37	532 12 49-63	Pin, Roll 3/16 x 1	165	532 16 56-23	Bracket Pivot Lever
38	532 17 91-14	Pulley Idler	166	817 49 05-10	Screw 5/16-18 x 5/8
39	872 11 06-22	Bolt 3/8-16 unc x 2-3/4 Gr. 5	168	532 16 54-92	Bolt Shoulder 5/16-18 x .561
41	532 17 55-56	Keeper, Belt	169	532 16 55-80	Plate Fastening
47	532 12 77-83	Pulley, Idler	170	532 18 74-14	Keeper, Belt, Transaxle
48	532 15 44-07	Bellcrank Asm Clutch	197	532 16 96-13	Nyliner Snap-In 5/8 ID
49	532 12 32-05	Retainer, Belt	198	532 16 95-93	Washer Nylon
50	872 11 06-12	Bolt, Carr. Sh 3/8-16 x 1-1/2 Gr. 5	202	872 11 06-14	Bolt Carr Sh 3/8-16 x 1-3/4 Gr. 5
51	873 68 06-00	Nut, Crownlock 3/8-16	263	817 00 06-12	Screw, 3/8-16 x 3/4 SMGML
52	873 68 05-00	Nut, Crownlock 5/16-18	268	532 18 24-02	Guard Muffler
53	532 19 96-52	Link, Clutch	275	819 13 16-14	Washer 13/32 x 1 x 14 Ga.
55	532 10 57-09	Spring, Return, Clutch			
56	817 06 06-20	Screw 3/8-16 x 1-1/4			
57	532 13 82-55	V-Belt, Drive			
62	532 12 48-72	Cover, Foot Pedal			
63	532 17 54-10	Pulley, Engine			
64	532 17 39-37	Bolt, Hex 7/16-20 x 4 Gr. 5			
65	810 04 07-00	Washer, Lock Hvy Hlcl Spr 7/16			
66	532 15 47-78	Keeper, Belt Engine F-Proof			

**NOTE:** All component dimensions given in U.S. inches  
1 inch = 25.4 mm

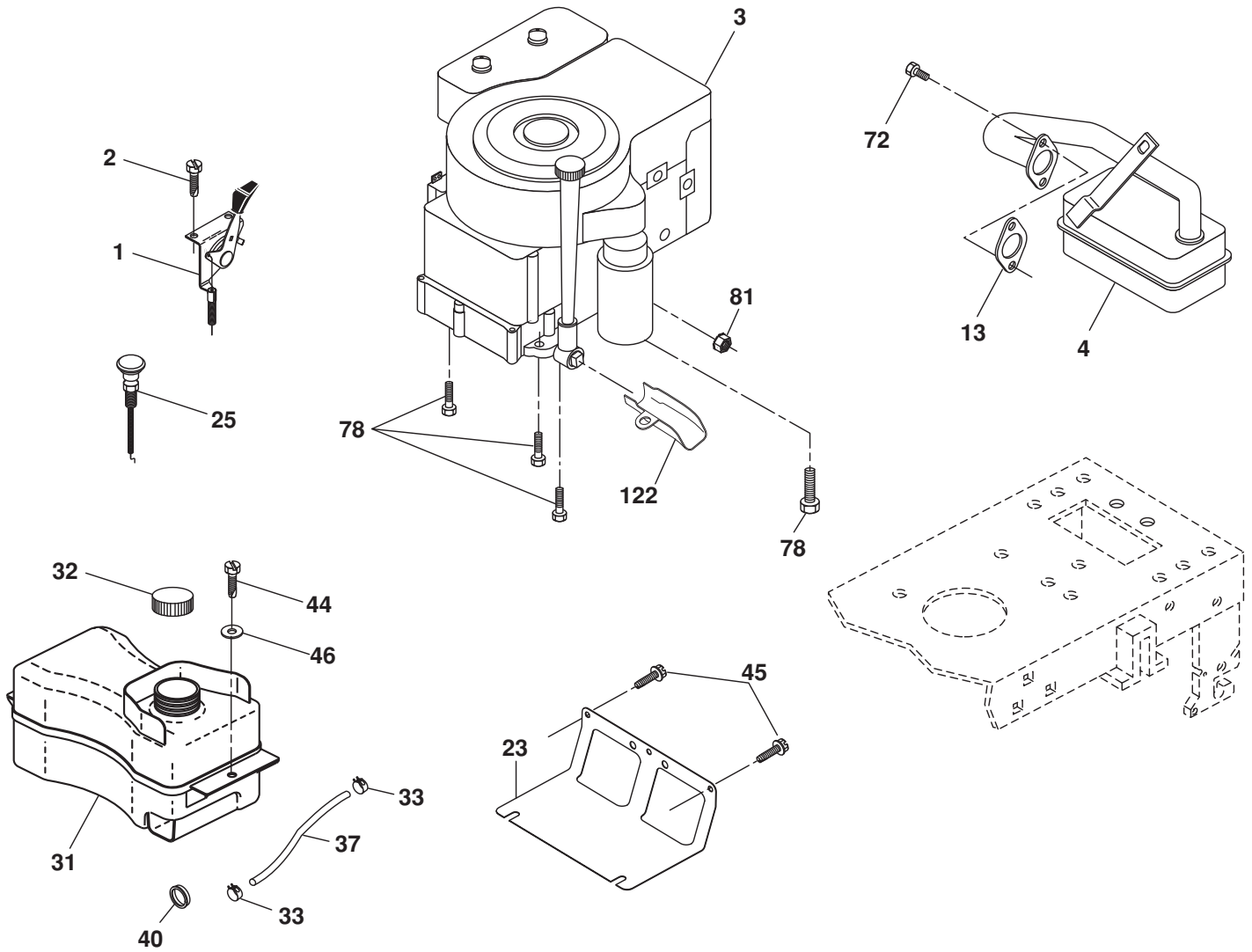
TRACTOR - - MODEL NO. LT2113 (96011026604), PRODUCT NO. 960 11 02-66  
 STEERING ASSEMBLY **41**



**TRACTOR - - MODEL NO. LT2113 (96011026604), PRODUCT NO. 960 11 02-66  
STEERING ASSEMBLY **41****

<b>KEY NO.</b>	<b>PART NO.</b>	<b>DESCRIPTION</b>
1	532 18 67-80	Wheel Steering Opp. Sears Blk
2	532 41 81-68	Axle Asm
3	532 16 98-40	Spindle Asm LH
4	532 16 98-39	Spindle Asm RH
5	5321249-31	Bearing Race Thrust Harden
6	532 12 17-48	Washer 25/32 x 1-5/8 x 16 Ga.
7	819 27 20-16	Washer 27/32 x 1-1/4 x 16 Ga.
8	812 00 00-29	Ring Klip #15304-75
9	532 12 49-37	Bearing Col Strg Blk
10	532 17 51-21	Link Drag
11	810 04 06-00	Washer Lock Hvy Hlcl Spr 3/8
13	532 13 65-18	Spacer Brace Axle
15	873 90 06-00	Nut Lock Flg. 3/8-16 unc
17	532 19 07-53	Shaft Asm Strg
26	532 12 68-47	Bushing Link Drag Blk LR
28	819 13 14-16	Washer 13/32 x 7/8 x 16 Ga.
29	817 00 06-12	Screw 3/8-16 x .75
30	876 02 04-12	Pin Cotter 1/8 x 3/4 Cad
32	532 19 27-57	Rod Tie Wire Form 19 75 Mech
34	810 04 05-00	Washer Lock Hvy Hlcl Spr. 5/16
36	532 15 50-99	Bushing Strg Nat .623/.618ld
37	532 15 29-27	Screw TT #10-32 x 5 x 3/8 Flange
38	532 19 29-16	Cap Wheel Steer P/L
39	819 11 38-12	Washer 11/32 x 2-3/8
40	873 54 06-00	Nut Crownlock 3/8-24
41	532 18 67-37	Adaptor Wheel Strg
42	532 16 96-33	Boot Shaft Steering
43	532 12 17-49	Washer 25/32 x 1 1/4 x 16 Ga.
44	532 19 07-52	Extension Steering
46	532 12 12-32	Cap Spindle Fr Top Blk
65	532 41 47-36	Spacer Brace Axle
67	872 11 06-18	Bolt RDHD SQ 3/8-16 unc x 2-1/4
68	532 16 98-27	Brace Axle
71	532 17 51-46	Steering Asm
82	532 19 99-78	Bracket Susp. Chassis Front
88	532 17 51-18	Bolt Shoulder 7/16-20
91	532 17 55-53	Cup Steering
95	532 18 89-67	Washer Hardened
97	532 42 89-82	Bolt Fin Hex 5/16-18 unc x 4 w/Patch

**NOTE:** All component dimensions given in U.S. inches.  
1 inch = 25.4 mm.



**OPTIONAL EQUIPMENT**  
**Spark Arrester**

engine-LT\_bs\_10

**TRACTOR - - MODEL NO. LT2113 (96011026604), PRODUCT NO. 960 11 02-66  
ENGINE 24**

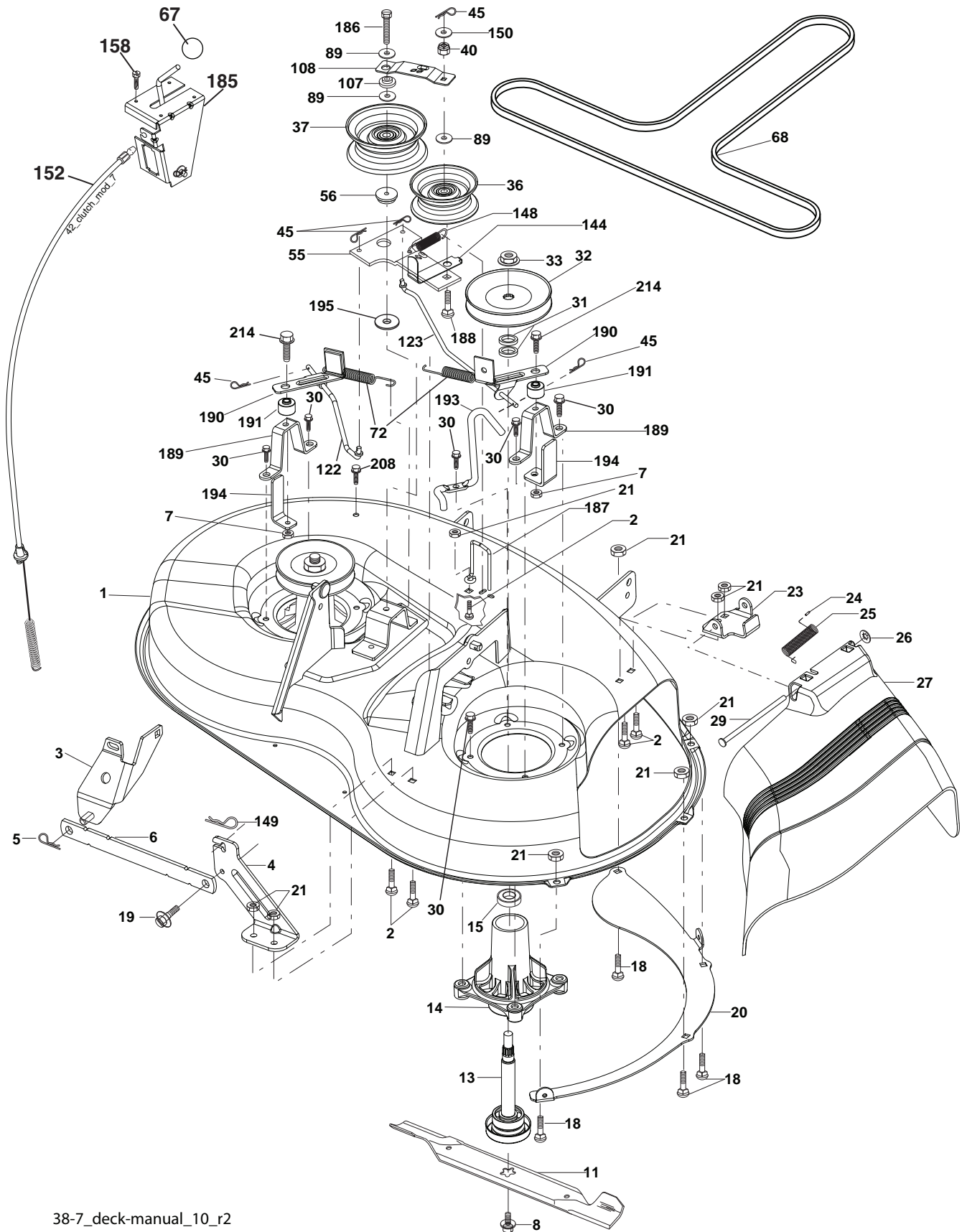
<b>KEY NO.</b>	<b>PART NO.</b>	<b>DESCRIPTION</b>
1	532 17 05-51	Control Th/ch Flag
2	817 72 04-08	Screw Hex Thd Cut 1/4-20 x 1/2
3	-----	Engine B&S Model No. 219807-1402-B1
4	532 17 97-58	Muffler
13	532 16 52-91	Gasket Eng
23	532 16 98-37	Shield Brn/Dbr Guard
25	532 19 06-95	Control Choke
29	532 13 71-80	Kit Spark Arrecter
31	532 40 75-16	Tank Fuel Front
32	532 43 02-20	Cap Fuel
33	532 12 34-87	Clamp Hose Blk
37	532 13 70-40	Line Fuel 20"
40	532 12 40-28	Bushing Snap Nyl Blk Fuel Line
44	817 67 04-12	Screw Hexwsh Thdrol 1/4-20 x 3/4
45	817 00 06-12	Screw Hexwsh Thdrol 3/8-16 x 3/4
46	819 09 14-16	Washer 9/32 x 7/8 x 16 Ga.
72	532 19 23-34	Screw Socket HD 5/16-18 x .75
78	817 06 06-20	Screw 3/8-16 x 1-1/4
81	873 51 04-00	Nut Keps Hex 1/4-20 unc
122	532 42 19-22	Extension Drain Oil

**NOTE:** All component dimensions given in U.S. inches  
1 inch = 25.4 mm

**Engine Power Rating Information**

The gross power rating for individual gas engine models is labeled in accordance with SAE (Society of Automotive Engineers) code J1940 (Small Engine Power & Torque Rating Procedure), and rating performance has been obtained and corrected in accordance with SAE J1995 (Revision 2002-05). Torque values are derived at 3060 RPM; horsepower values are derived at 3600 RPM. Actual gross engine power will be lower and is affected by, among other things, ambient operating conditions and engine-to-engine variability. Given both the wide array of products on which engines are placed and the variety of environmental issues applicable to operating the equipment, the gas engine will not develop the rated gross power when used in a given piece of power equipment (actual "on-site" or net power). This difference is due to a variety of factors including, but not limited to, accessories (air cleaner, exhaust, charging, cooling, carburetor, fuel pump, etc.), application limitations, ambient operating conditions (temperature, humidity, altitude), and engine-to-engine variability. Due to manufacturing and capacity limitations, Briggs & Stratton may substitute an engine of higher rated power for this Series engine.

TRACTOR - - MODEL NO. LT2113 (96011026604), PRODUCT NO. 960 11 02-66  
 MOWER DECK **44**



38-7\_deck-manual\_10\_r2

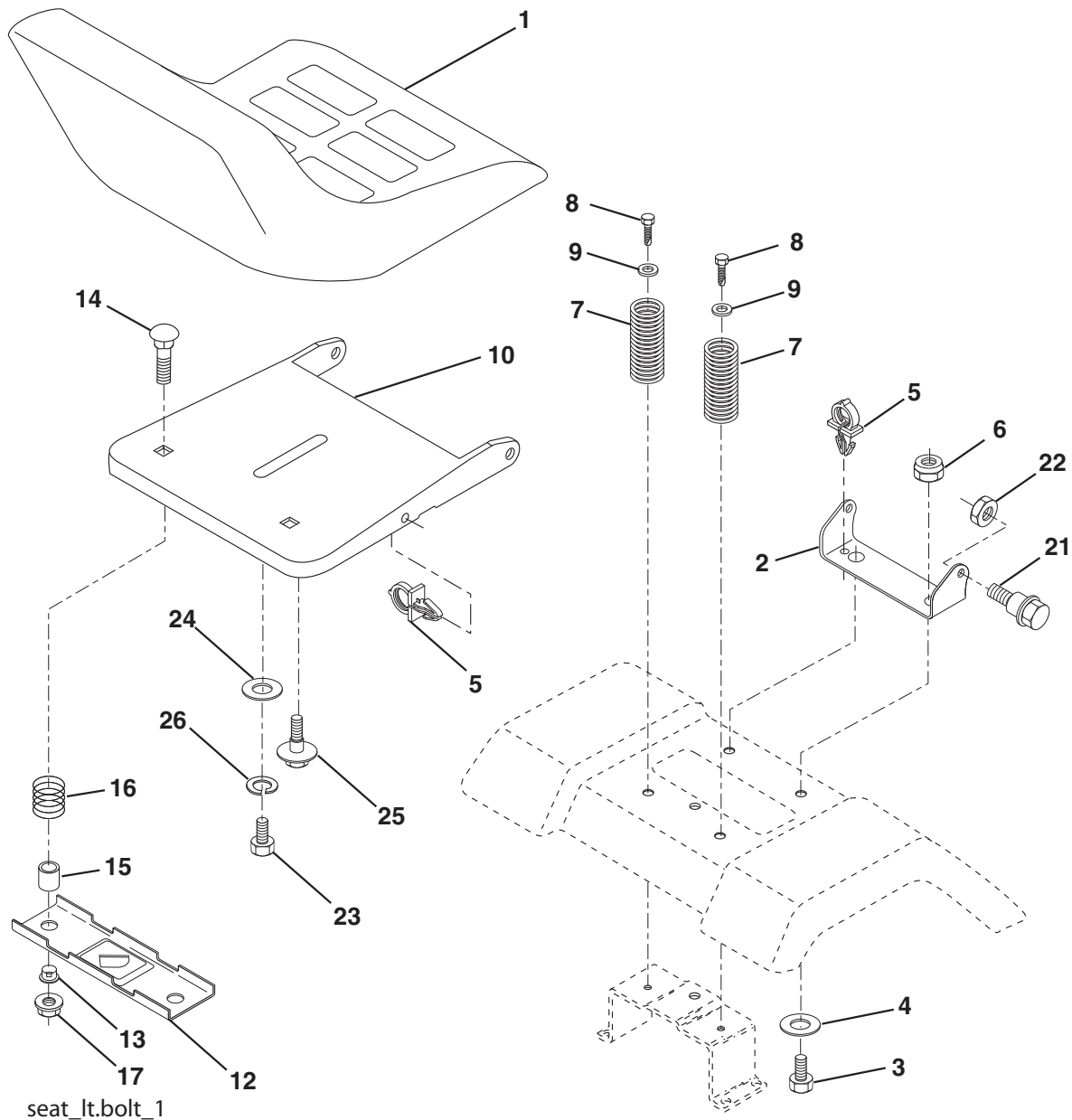
**TRACTOR - - MODEL NO. LT2113 (96011026604), PRODUCT NO. 960 11 02-66  
MOWER DECK 44**

KEY NO.	PART NO.	DESCRIPTION	KEY NO.	PART NO.	DESCRIPTION
1	532 19 25-56	Mower Housing Assembly	89	819 13 13-11	Washer 13/32 x 13/16 x 11 Ga.
2	872 14 05-06	Bolt Carriage 5/16-18 x 3/4	107	532 13 35-02	Spacer Retainer
3	532 13 80-17	Bracket Asm Fr. Sway Bar	108	532 13 35-03	Stiffener, Idler Arm
4	532 19 25-68	Bracket Deck Sway Bar 38"/42"	122	532 41 01-89	Rod, Brake LH
5	532 12 46-70	Retainer Spring	123	532 41 01-90	Rod, Brake RH
6	532 17 80-24	Bar Sway Deck	144	532 19 34-14	Keeper Belt Idler Tension
7	873 80 05-00	Nut Lock Hx w/Ins. 5/16-18 unc	148	532 16 90-22	Spring Return Idler
8	532 19 30-03	Bolt 3/8-24 x 1.25 Gr. 8	149	532 16 58-98	Retainer Spring Yellow
11	532 19 39-57	Blade Mower	150	819 09 12-10	Washer 9/32 x 3/4 x 10 Ga.
13	532 19 28-72	Shaft Assembly, Mandrel, Vented	152	532 19 32-35	Clutch Cable 38"/46"
14	532 18 72-81	Housing, Mandrel, Vented	158	817 72 04-08	Screw Hex Thd Cut 1/4-20 x 1/2
15	532 11 04-85	Bearing, Ball, Mandrel	185	532 18 82-34	Head Asm Cable Clutch
18	872 14 05-05	Bolt Rdhd Sqnk 5/16-18 x 5/8	186	817 49 06-44	Screw Hex Wsh Thdrol 3/8-16 x 2-3/4
19	532 13 28-27	Bolt, Shoulder	187	532 19 34-12	Keeper Belt
20	532 40 00-95	Baffle Vortex Front	188	532 16 58-91	Bolt Carriage Idler
21	873 68 05-00	Nut	189	532 19 25-59	Stand, Brake
23	532 19 25-57	Bracket, Mower Deflector	190	532 19 25-60	Arm, Brake
24	532 10 53-04	Cap, Sleeve	191	532 19 25-61	Spacer, Brake
25	532 19 70-26	Spring, Torsion, Deflector	193	532 19 34-13	Keeper Belt Rh Mandrel
26	532 11 04-52	Nut, Push	194	532 19 41-05	Guard Brake
27	532 40 14-72	Shield, Deflector	195	819 13 32-10	Washer
29	532 13 14-91	Rod, Hinge	208	817 67 06-08	Screw Thdrol 3/8 - 16 x 1/2
30	532 17 39-84	Screw Thdrol.	214	532 19 37-82	Bolt/Washer Asm 5/16-18
31	532 18 76-90	Washer, Spacer	--	532 19 25-58	Brake Assembly (Includes Stand, Arm and Guard Components)
32	532 15 35-32	Pulley, Mandrel	--	532 19 28-70	Mandrel Assembly (Includes hous- ing, shaft assembly, and bearing only - pulley/nut/washer and blade bolt/washers not included)
33	532 40 02-34	Nut, Toplock	--	532 43 20-31	Replacement Mower, Complete
36	532 13 14-94	Pulley, Idler, Flat			
37	532 19 31-98	Pulley Idler Flat			
40	873 68 06-00	Nut, Crownlock 3/8-16 unc			
45	532 12 47-88	Retainer			
55	532 13 38-40	Idler Arm Assembly			
56	532 16 57-23	Spacer, Retainer			
67	532 10 69-32	Knob			
68	532 19 32-14	V-Belt			
72	532 19 32-16	Spring Brake Return			

**NOTE:** All component dimensions given in U.S. inches  
1 inch = 25.4 mm



**TRACTOR - - MODEL NO. LT2113 (96011026604), PRODUCT NO. 960 11 02-66  
SEAT ASSEMBLY 42**



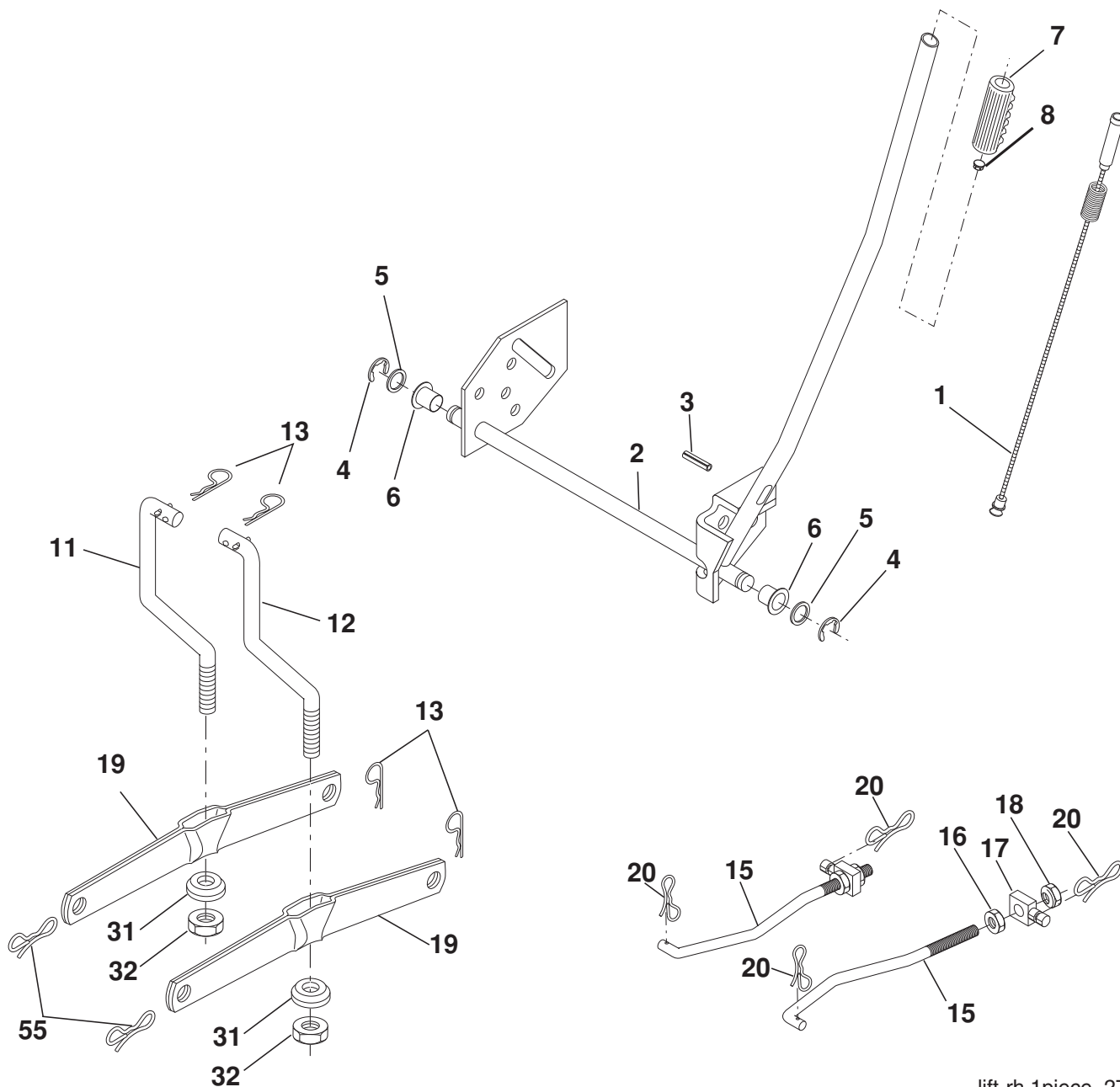
seat\_lt.bolt\_1

KEY NO.	PART NO.	DESCRIPTION
1	532 40 10-42	Seat
2	532 14 05-51	Bracket Pivot Seat 8 720
3	871 11 06-16	Bolt Fin Hex 3/8-16 unc x 1
4	819 13 16-10	Washer 13/32 x 1 x 10 Ga
5	532 14 50-06	Clip Push-In
6	873 80 06-00	Nut Lock Hex w/Wsh 3/8-16 unc
7	532 12 41-81	Spring Seat Cprsn 2 250 Blk Zi
8	817 00 06-16	Screw 3/8-16 x 1.5
9	819 13 16-14	Washer 13/32 x 1 x 14 Ga.
10	532 19 55-30	Pan Seat
12	532 17 46-48	Bracket Mounting Switch
13	532 12 12-48	Bushing Snap Blk Nyl 50 Id
14	872 05 04-12	Bolt Rdhd Sht Nk 1/4-20 x 1-1/2

KEY NO.	PART NO.	DESCRIPTION
15	532 13 43-00	Spacer Split 28 x 96 Yel Zinc
16	532 12 12-50	Spring Cprsn 1 27 Blk Pnt
17	532 12 39-76	Nut Lock 1/4 Lge Flg Gr. 5 Zinc
21	532 17 18-52	Bolt Shoulder 5/16-18 unc -2A
22	873 80 05-00	Nut Lock Hex w/Insert 5/16-18 unc
23	871 11 08-14	Bolt Hex
24	819 17 19-12	Washer 17/32 x 1-3/16 x 12 Ga.
25	532 12 70-18	Bolt Shoulder 5/16-18 x 62
26	810 04 08-00	Washer Lock Hvy HLCLSPR 1/2

**NOTE:** All component dimensions given in U.S. inches.  
1 inch = 25.4 mm

**TRACTOR - - MODEL NO. LT2113 (96011026604), PRODUCT NO. 960 11 02-66  
MOWER LIFT 45**



lift-rh.1piece\_27

KEY NO.	PART NO.	DESCRIPTION
1	532 40 50-07	Plunger Asm. Lift Lever
2	532 19 80-70	Shaft Asm Lift
3	532 18 88-22	Pin Groove
4	812 00 00-02	E Ring #5133-62
5	819 21 16-21	Washer PLTD 21/32 x 1 x 21Ga
6	532 12 01-83	Bearing Nylon Blk 629 Id
7	532 10 94-13	Grip Handle Bicycle Matte Blk
8	532 12 23-65	Button Plunger Red
11	532 13 98-65	Link Lift LH
12	532 13 98-66	Link Lift RH
13	532 12 46-70	Retainer Spring
15	532 17 32-88	Link Front

KEY NO.	PART NO.	DESCRIPTION
16	873 35 08-00	Nut Jam Hex 1/2-13 unc
17	532 17 56-89	Trunnion
18	873 80 08-00	Nut Lock w/Wsh 1/2-13 unc
19	532 13 98-68	Arm Suspension Rear
20	532 19 42-09	Pin Cotter 7/16 Bow Tie Lock
31	532 16 98-65	Bearing Pvt Lift
32	873 54 06-00	Nut Crownlock 3/8-24
55	532 19 42-08	Pin Cotter 5/16 Bow Tie Lock

**NOTE:** All component dimensions given in U.S. inches  
1 inch = 25.4 mm



## Free Manuals Download Website

<http://myh66.com>

<http://usermanuals.us>

<http://www.somanuals.com>

<http://www.4manuals.cc>

<http://www.manual-lib.com>

<http://www.404manual.com>

<http://www.luxmanual.com>

<http://aubethermostatmanual.com>

Golf course search by state

<http://golfingnear.com>

Email search by domain

<http://emailbydomain.com>

Auto manuals search

<http://auto.somanuals.com>

TV manuals search

<http://tv.somanuals.com>