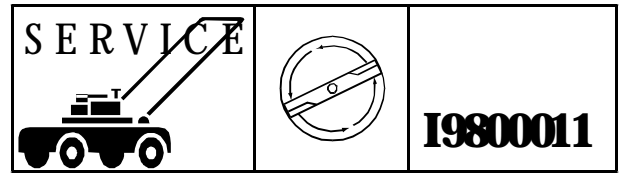


Jonsered



IPL, LTH18 46", 1998-02, 106 24 88-61

LTH18 46"

Spare parts

Ersatzteile

Pièces détachées

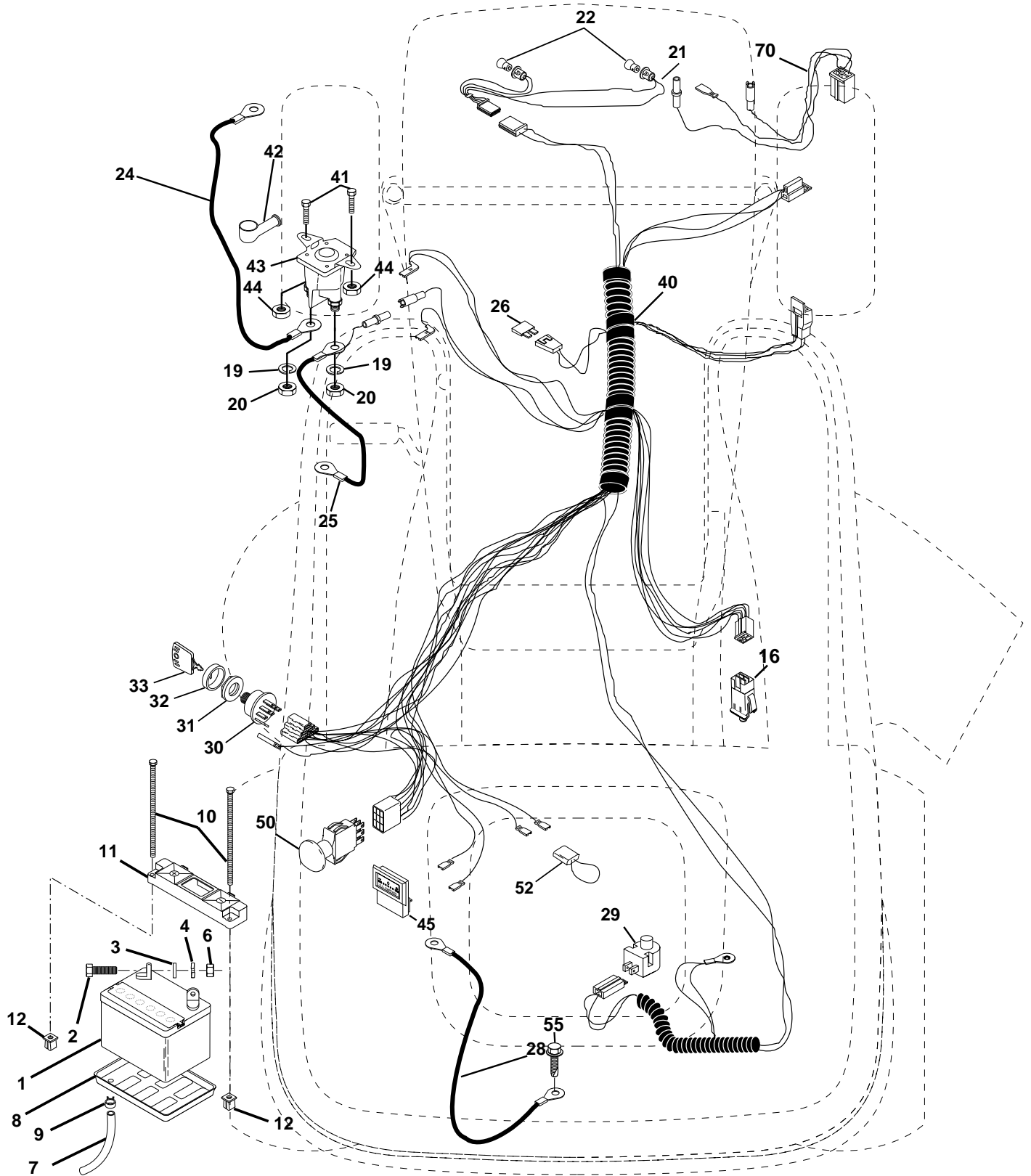
Reserve onderdelen

Repuestos

Reservdelar

P

ELECTRICAL



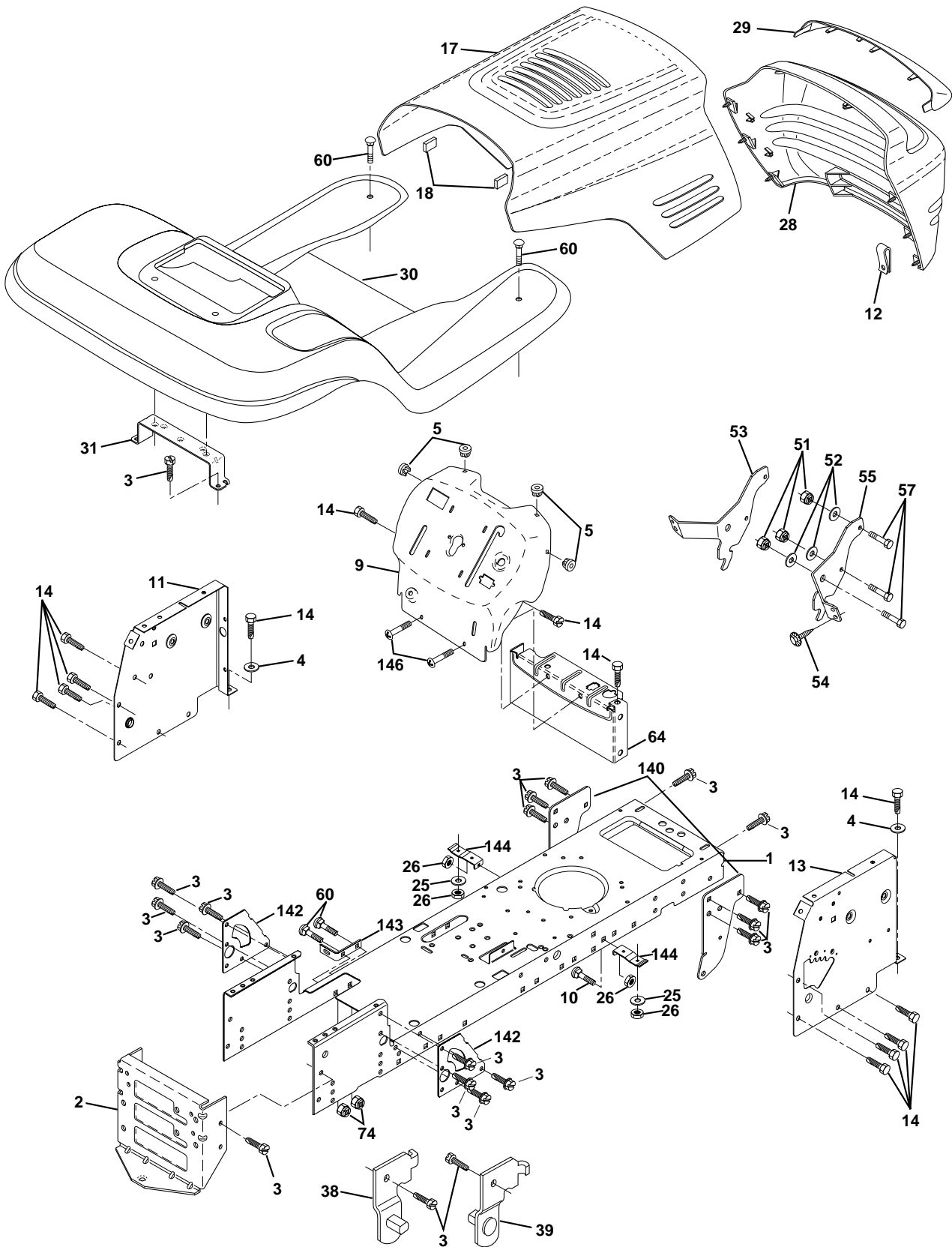
P

ELECTRICAL

KEY NO.	PART NO.	DESCRIPTION
1	532123899	Battery 12 Volt 30 AMP
2	874760412	Bolt Hex Hd 1/4-20unc X 3/4
3	819091016	Washer 9/32 X 5/8 X 16 Ga.
4	810040400	Washer Lock Hvy Helical 1/4
6	873220400	Nut Fin Hex 1/4-20 Unc
7	532007697	Tube Plastic 46"
8	532124886	Case Tray Brty 7.80 x 5.25 Blk
9	532109596	Clamp Hose Olive
10	532145211	Bolt Btr Frt 1/4-20 x 7.5 zinc
11	532150109	Holddown Battery mount
12	532145769	Nut Push Nylon 1/4 Battery Frt.
16	532153664	Switch Interlock Push-In
19	810090400	Washer Lock 1/4
20	873350400	Nut Jam Hex 1/4-20 Unc
21	532147430	Harness Asm Light W/4152j
22	532004152	Bulb Light #1156
24	532124780	Cable Battery 6 Ga 11" red
25	532146148	Cable Battery 6 Ga 22" w/16W
26	532108824	Fuse 30 AMP Auto Green
28	532145491	Cable Ground 21" Blk 6 Ga 90T
29	532121305	Switch Plunger Nc Gray
30	532140301	Switch Ign 4 pos w/lights
31	532124211	Nut Ignition
32	532141226	Cover Sw Ignition
33	532122147	Key Ign Modledeed Generic
40	532156443	Harness Ign. Elec Cl Am Hm STL
41	871110408	Bolt Blk Fin Hex 1/4 - 20 x 1/2
42	532131563	Cover Terminal Red
43	532145673	Solenoid
44	873640400	Nut Keps Hex 1/4-20 Unc
45	532122822	Ammeter Rectangular 15 Amp
50	532154959	Switch PTO 3 PTD Black
52	532141940	Protection Wire Loop
55	817490508	Screw Thdrol 5/16-18 x 1/2 Typ
70	532140424	Harness, Eng.

NOTE: All component dimensions given in U.S. inches.
1 inch = 25.4 mm.

CHASSIS AND ENCLOSURES



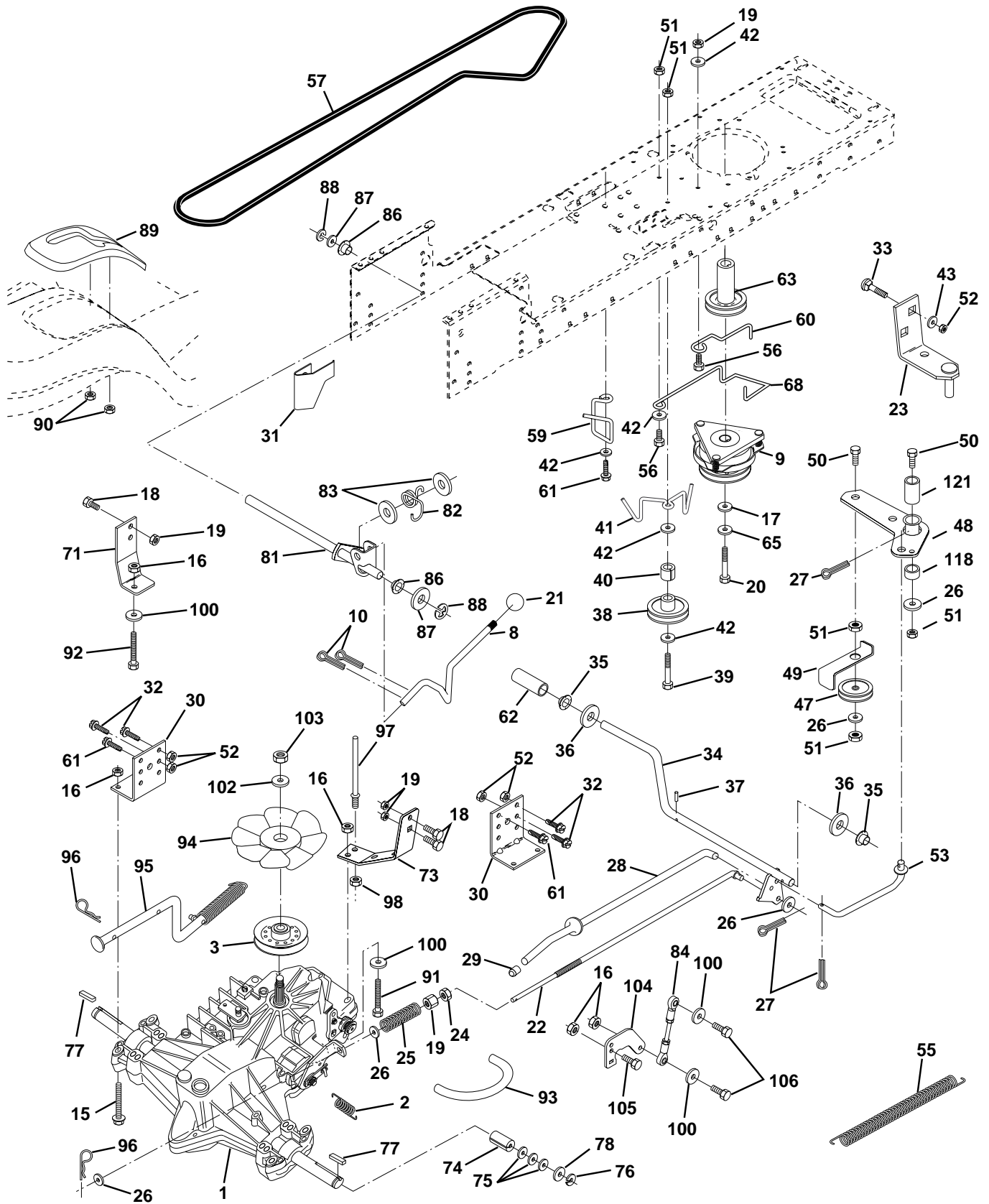
A

CHASSIS AND ENCLOSURES

KEY NO.	PART NO.	DESCRIPTION
1	532153871	Chassis Stamping
2	532140356	Drawbar, Stretch
3	817490612	Screw Thdrol 3/8-16x3/4 Ty-tt
4	819131216	Washer 13/32 x 3/4 x 16 Ga.
5	155272	Bumper Hood/Dash
9	872140608	Dash P/L W/Amm. w/PTO Grey
10	872140608	Bolt Carriage 3/8-16 x 1
11	532146956	Panel Pnt Dash Lh
12	532145660	Clip, Tinnerman Grille P/L
13	532146962	Panel AsmDash Rh
14	817490608	Screw Thdrol 3/8-16x1/2 Ty-tt
17	532150760	Hood
20	532156437	Plate Mtg Battery/Fuel tank fr
23	532124028	Bushing Snap Nyl Blk Fuel Line
25	819131312	Washer 13/32 X 13/16 X 12 Ga
26	873800600	Nut Lock Hex W/Ins 3/8-16 Unc
28	532150671	Grille w/Clips MS-505
29	532145199	Lens
30	532156793	Fender
31	532139976	Bracket Pnt Fender
37	817490508	Screw Thdrol 5/16-18 x 1/2
38	532139886	Bracket, Asm. Pivot, L.H., Mower Rear
39	532139887	Bracket, Asm. Pivot, R.H., Mower Rear
51	873800400	Nut Lock Hex W/Ins 1/4-20
52	819091416	Washer 9/32 x 7/8 x 16 Ga.
53	532145201	Bracket Pnt. Pick off
54	817030814	Screw , Lock Spider #8 x 7/8
55	532145202	Bracket, Grille Pickoff Rh
57	874780412	Bolt Hex 1/4-20 x 3/4
58	532150127	Duct Air Engine PL/LT
60	872140606	Bolt, Rdhd Sqnk 3/8-16 UNC x 3/4
64	532154798	Dash Lower STLT
74	873680600	Nut, Crownlock 3/8-16 UNC
140	532150556	Bracket, Chassis Front
142	532156095	Plate Reinforcement STLT
143	532154966	Bracket Chassis Swaybar
144	532154207	Bracket Footrest STLT
145	532154429	Brace Axle
146	532154334	Screw Torx Hd Thd 5/16-18 UNC-2A

NOTE: All component dimensions given in U.S. inches.
1 inch = 25.4 mm

L DRIVE



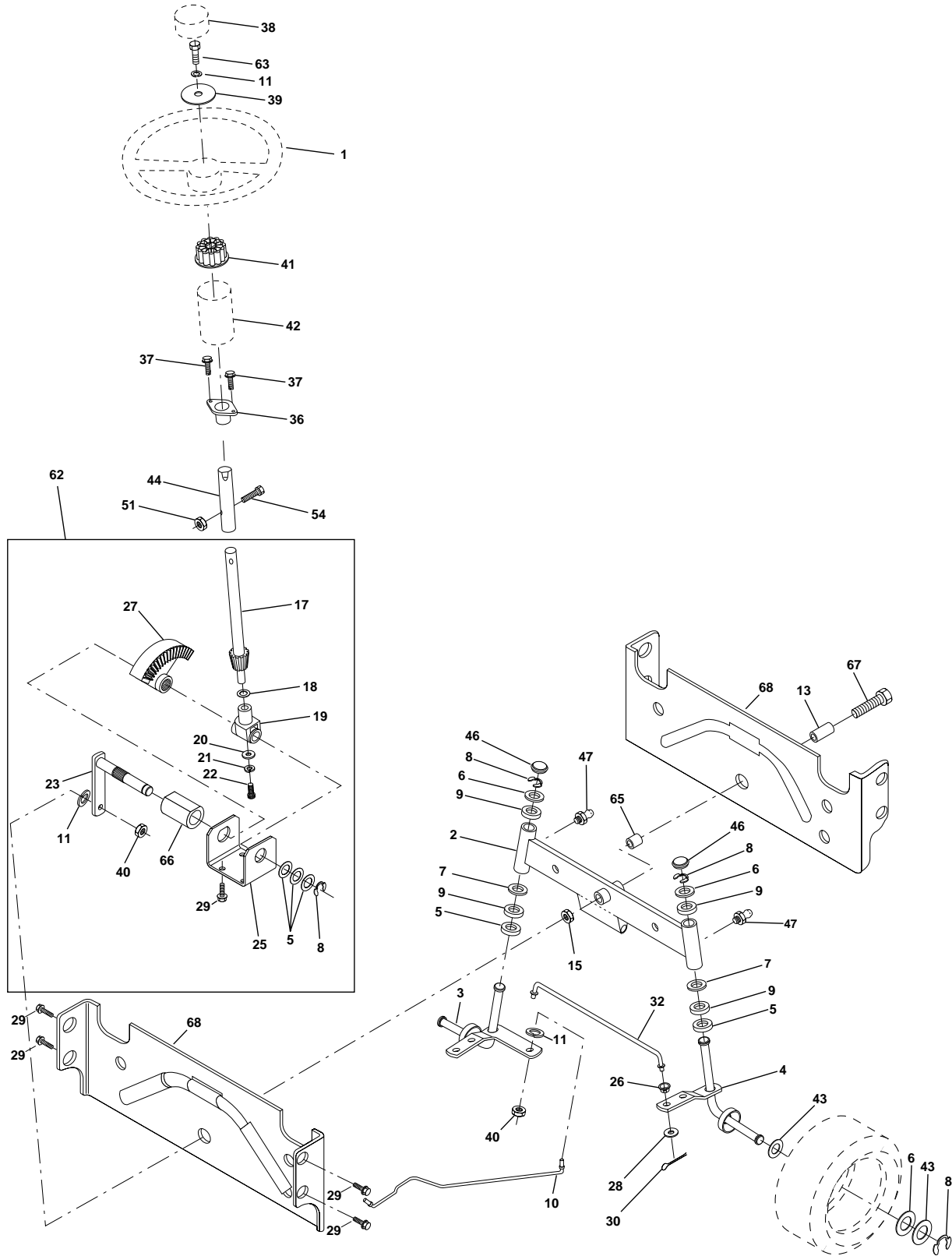
L DRIVE

KEY NO.	PART NO.	DESCRIPTION	KEY NO.	PART NO.	DESCRIPTION
1	532150071	Transaxle	56	874760620	Bolt, Fin Hex 3/8-16 UNC x 1 1/4
2	532142431	Spring, Return, Brake	57	531013140	V-Belt, Ground Drive
3	532143995	Pulley, Transaxle Hydro 750 LT	59	532140312	Keeper, Center Span
8	532154792	Rod Shift Fender STLT	60	532154776	Keeper Belt Engine
9	532137140	Clutch Electric	61	817490612	Screw Thdrol. 3/8-16 x 3/4 Ty. TT
10	876020416	Pin Cotter 1/8 x 1 CAD	62	532124872	Cover, Pedal Premium
15	874490544	Bolt Hex 5/16-18 Unc Flghd	63	532140189	Pulley, Engine
16	873800500	Nut Lock Hex W/Ins. 5/16-18 Unc P	65	810040700	Washer Lock Hvy HLCL Spr 7/16
17	532126197	Washer 1-1/2 OD x 15/32 ID x .250	68	532155000	Keeper Belt Engine RH
18	874780616	Bolt Fin Hex 3/8-16 Unc x 1 Gr.5	73	532156347	Strap Torque Rh Hydro
19	873800600	Nut Lock Hex W/Ins 3/8-16 Unc	71	532140158	Strap Torque Lh Hydro 18/20" T
20	532150280	Bolt, Hex 7/16-20 x 4-1/4 5 Ga. 1.38	74	532121199	Spacer, Split
21	532130564	Knob Deluxe 1/2-13 UNC Blk/Red	75	532121749	Washer 25/32 x 1-1/4 x 16 Ga.
22	532145627	Rod, Brake Hydro	76	812000001	E-Ring
23	532137141	Bracket Asm Mtg CL	77	532123583	Key, Square
24	873350600	Nut Hex Jam 3/8-16 UNC	78	532121748	Washer 25/32 x 1-5/8 x 16 Ga
25	532106888	Spring, Brake Rod	81	532156046	Shaft Asm. Cross Hydro 20" Tires
26	819131316	Washer	82	532123782	Spring Torsion T/A
27	876020412	Pin Cotter 1/8 x 3/4 CAD.	83	819171216	Washer 17/32 x 3/4 x 16 Ga.
28	532145204	Rod, Parking Brake	84	532140548	Rod, Tie Hydro 20" Tires SPH Ball 4.75
29	532071673	Cap, Parking Brake	86	532071208	Bushing Rod Strig. 629/632 ID
30	532130807	Bracket, Transaxle	87	819212016	Washer 21/32 x 1-1/4 x 16 Ga.
31	532127275	Keeper Belt Lh	88	812000008	Ring Klip #5304-62
32	874760512	Bolt Hex Hd 5/16-18 Unc x 3/4	89	532154882	Console, Hydro Shift STLT
33	872140506	Bolt Carriage 5/16-18 UNC x 3/4	90	532124346	Nut Self Thd Wsh-Hd 1/4 Zinc
34	532155071	Shaft, Foot Pedal	91	874780536	Bolt Fin Hex 5/16-18 x 2-1/4
35	532120183	Bearing, Nylon	92	874780524	Bolt Fin Hex 5/16-18 Unc x 1-1/2
36	819211616	Washer	93	532142564	Line Fuel Hydro 4"
37	532124963	Pin, Roll	94	532140462	Fan, Hydro 7"
38	532123674	Pulley, Idler, Flat	95	532144643	Control Asm. Bypass Hydro
39	874760644	Bolt	96	532124788	Retainer Spring 1" Zinc/Cad
40	532124965	Spacer Split	97	532140469	Keeper Belt Rh Hydro 0750.18/20"
41	532154777	Keeper, Belt Idler	98	873510600	Nut Keps Hex 3/8-16 Unc
42	819131312	Washer 13/32 x 13/16 x 12 Ga	100	819111216	Washer 11/32 x 3/4 x 16 Ga.
43	819111012	Washer 11/32 x 5/8 x 12 Ga.	102	532141322	Washer Belleville .501D x 1.50D
47	532127783	Pulley, Idler, V-Groove Plastic	103	873940800	Nut Hex Jam Toplock 1/4-20 Unf
48	532154604	Bellcrank Assembly	104	532140156	Arm, Control Hydro
49	532123205	Retainer, Belt Style Spring	105	871070516	Screw Cap Hex 5/16 x 18 x 1
50	874760624	Bolt	106	874780520	Bolt Fin Hex 5/16-18 Unc x 1-1/4
51	873680600	Nut	118	532154774	Spacer Bellcrank
52	873680500	Nut Crown Lock 5/16-18	121	532154419	Nyliner Clutching STL
53	532105710	Link, Clutch			
55	532105709	Spring, Return, Clutch			

NOTE: All component dimensions give in U.S. inches.
1 inch = 25.4 mm

H

STEERING ASSEMBLY



H

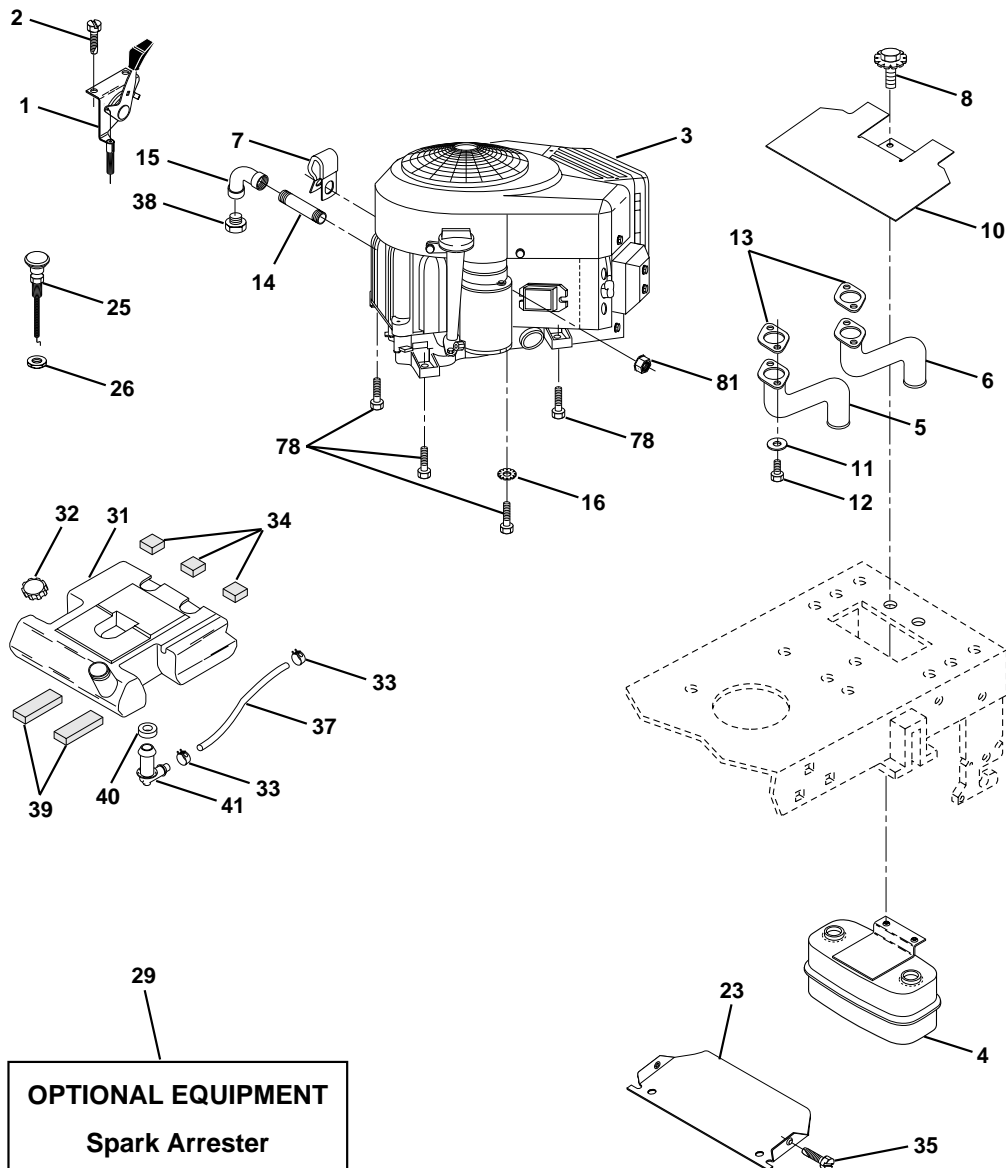
STEERING ASSEMBLY

KEY NO.	PART NO.	DESCRIPTION
1	532140044	Wheel Steering
2	532154427	Axle Asm Stmp Dropped STL
3	532154422	Spindle Asm LH
4	532154423	Spindle Asm RH
5	532124931	Washer Thrust .75 x 1.230
6	532121748	Washer 25/32 X 1-5/8 X 16 Ga
7	819272016	Washer 27/32 X 1-1/4 X 16 Ga
8	812000029	Ring Klip #t5304-75
9	532124937	Bearing Col Strg Blk
10	532156438	Link Drag Extended Stamped
11	810040600	Washer Lock Hvy Hlcl Spr 3/8
13	532154779	Spacer Bearing Axle STLT/GT
15	873901000	Nut Lock Flange 5/8-11 Unc
17	532156546	Shaft Asm Strg Private Label
18	532057079	Washer Thrust 515x 750x 033
19	532124035	Support Shaft
20	532126684	Washer Shim 1/4 X 5/8 X 062
21	810040400	Washer Lock Hvy Helical 1/4
22	871100410	Screw, Cap Sckt Hd Phos & Oil
23	532156365	Shaft Asm Pittman
25	532154406	Bracket Steering
26	532126847	Bushing Link Drag Blk Lr
27	532136874	Gear Sector
28	819131416	Washer 13-32 x 7/8 x 16 Ga.
29	817490612	Screw Thdrol 3/8-16x3/4 Ty-tt
30	876020412	Pin Cotter 1/8 x 3/4 Cad
32	532130465	Rod Tie Wire Form 19.75 Mech
36	532155099	Bushing Strg
37	532152927	Screw TT #10-32.5.3/8 Flange
38	532140045	Insert Cap Strg Wh
39	819133808	Washer 13/32 X 2-3/8 X 8 Ga
40	532124701	Nut Lock Center 3/8-24unf
41	532100711	Adaptor Wheel Strg 758/753 ID
42	532145054	Boot Steering Dash
43	532121749	Washer 25/32 X 1 1/4 X 16 Ga
44	532153720	Extention Steering
46	532121232	Cap Spindle Fr Top Blk
47	532124836	Fitting Grease
51	873800500	Nut Lock Hex w/Ins 5/16-18
54	874780520	Bolt Fin Hex 5/16-18 Unc x 1-1/4
62	532156594	Kit, Steering Assembly
63	874780616	Bolt, Fin Hex 3/8-16 UNC x 1 Gr. 5
65	532154780	Spacer Axle
66	532154404	Bearing Arm Pittman
67	874781044	Bolt, Fin Hex 5/8-11 UNC x 2-3/4

NOTE: All component dimensions given in U.S. inches.
1 inch = 25.4 mm.

F

ENGINE



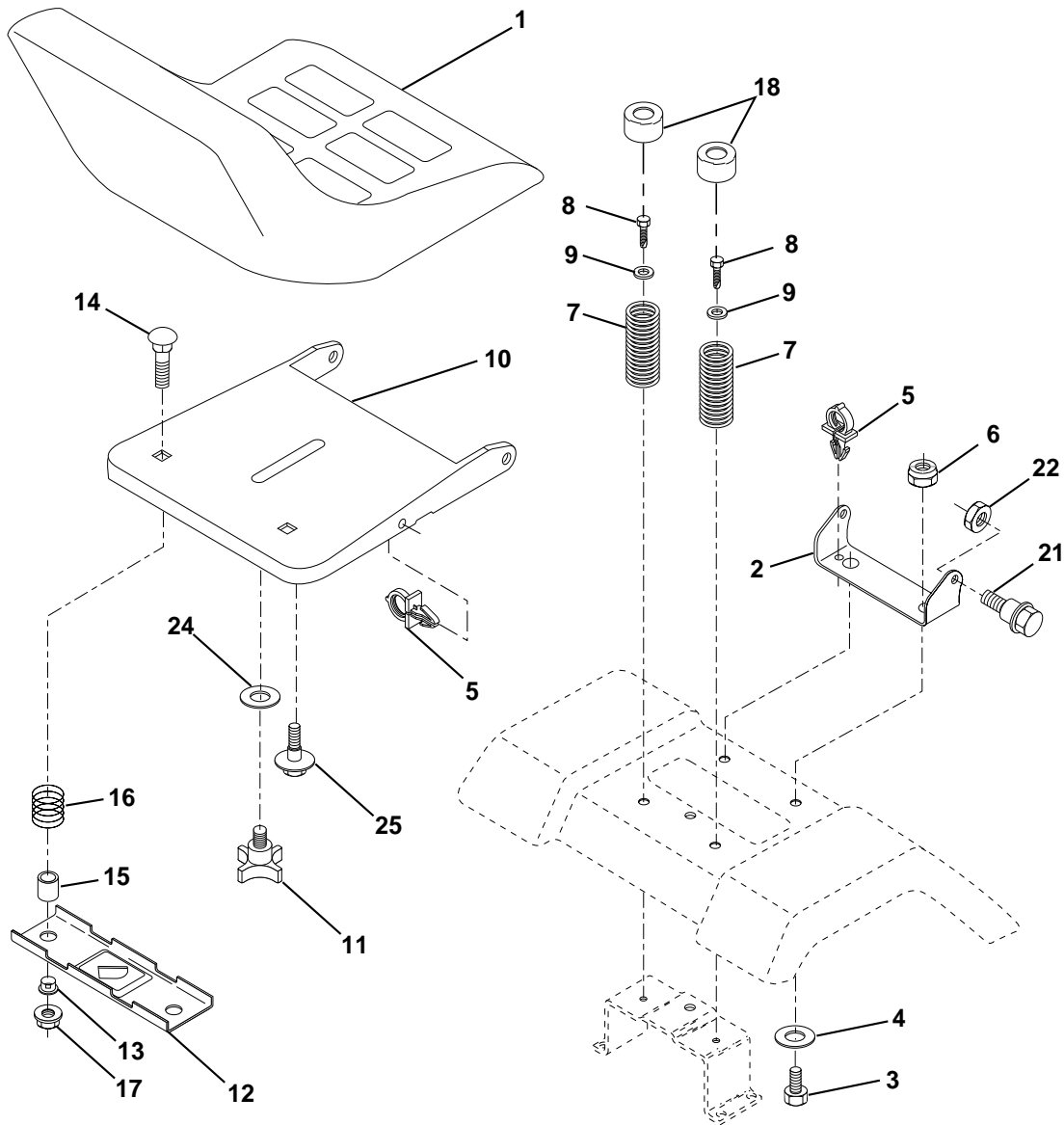
KEY NO.	PART NO.	DESCRIPTION
1	532148875	Control Throt
2	817720410	Screw Hex Thd Cut 1/4-20x5/8 T
3	-----	Engine
4	532149723	Muffler Twin Lo-Twin
5	532122434	Tube, Manifold Lh
6	532122435	Tube, Manifold Rh
7	532138129	Clamp
8	532150176	Bolt 5/16-18 Unc x 3/4 w/Sems
10	532145552	Shield Heat LT
11	-----	Washer Lock Hvy Hlcl 1/4 (Order from Engine Manufacturer)
12	-----	Bolt, Fin Hex 1/4-20 x 3/4 (Order from Engine Manufacturer)
13	-----	Muffler Gasket (Order from Engine Manufacturer)
14	813280336	Nipple Pipe 3/8 Npt X 4-1/2"
15	813200300	Elbow Std 90 Degree 3/8-18 Npt
16	811050600	Washer Lock Ext Tooth 3/8

KEY NO.	PART NO.	DESCRIPTION
23	532156123	Shield Browning
25	532145996	Choke Control 37"
26	873920600	Nut, Keps 3/8-24 Unf
29	532137180	Kit Spark Arrester (Flat Scrn)
31	532153630	Tank Fuel 3 50 STLT w/o Sensor
32	532140527	Cap Asm Fuel W/sym Vented
33	532123487	Clamp Hose Blk
34	532106082	Pad, Spacer
35	817490512	Screw Thdrol 5/16-18 x 3/4
37	532142158	Line Fuel 54"
38	-----	Plug Oil Drain (Order From Engine Manufacturer)
39	532109227	Pad, Idle
40	532124952	Bushing
41	532139277	Stem Tank Fuel
78	817490620	Screw, Thdrol 3/8-16 x 1-1/4 Tytt
81	532128861	Nut Flange 1/4-20 Starter Nut

NOTE: All component dimensions given in U.S. inches.
1 inch = 25.4 mm

C

SEAT ASSEMBLY



KEY PART NO. NO.

KEY PART NO.	NO.	DESCRIPTION
1	532127440	Seat
2	532140551	Bracket Pivot Seat 8 720
3	874760616	Bolt Fin Hex 3/8-16 UNC x 1
4	819131610	Washer 13/32 x 1 x 10 Ga.
5	532145006	Clip Push-in Hinged
6	873800600	Nut Lock Hex w/Inx 3/8-16 UNC
7	532124181	Spring Seat Cprsn 2 250 Blk Zi
8	817490616	Screw Thdrol 3/8-16 x 1 TY-TT
9	819131614	Washer 13/32 x 1 x 14 Ga.
10	532140552	Pan Seat
11	532120068	Knob Seat 1/2-13unc Blk

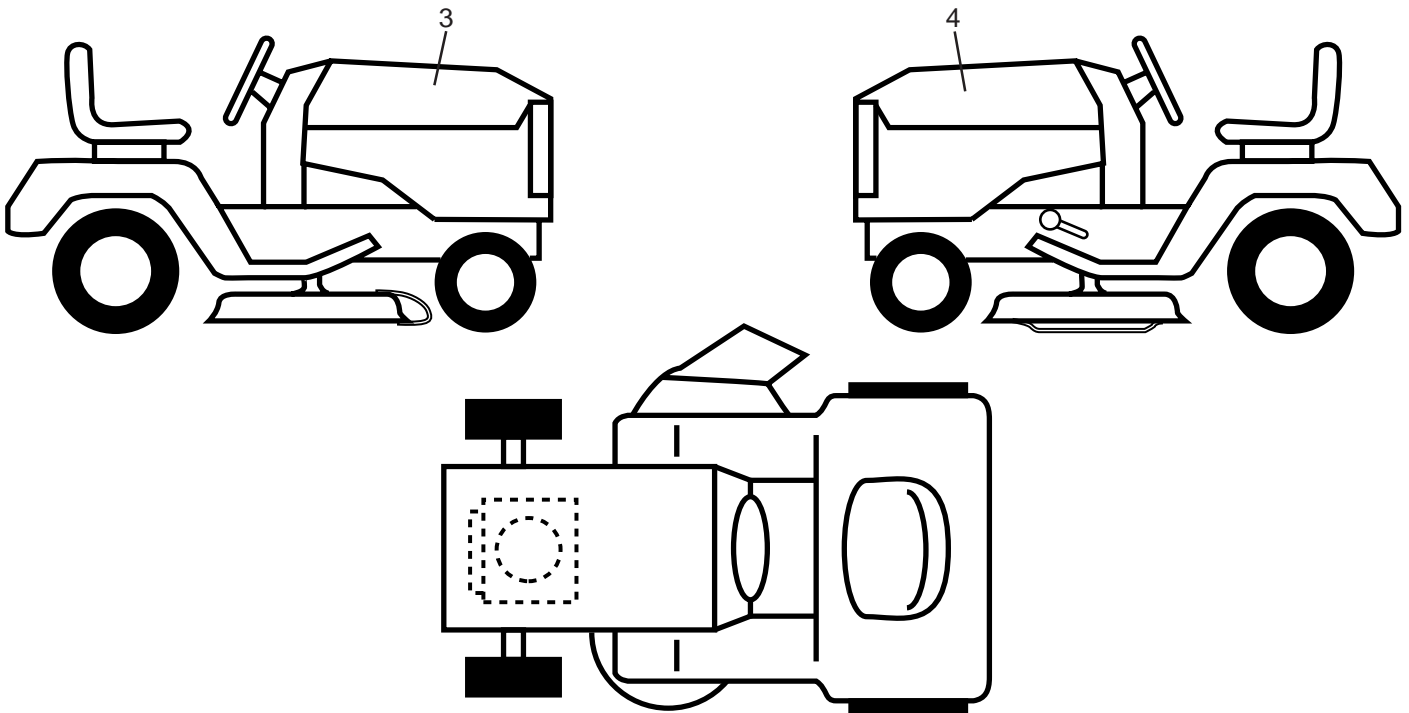
KEY PART NO. NO.

KEY PART NO.	NO.	DESCRIPTION
12	532121246	Bracket Mounting Switch
13	532121248	Bushing Snap Blk Nyl 50 Id
14	872050411	Bolt Rdhd Sht Nk 1/4-20x1-3/8
15	532121249	Spacer Split 28x 88 Yel Zinc
16	532123740	Spring Cprsn 1 310 Blk Pnt
17	532123976	Nut Lock 1/4 Lge Flg Gr 5 Zinc
18	532124238	Cap Spring Seat
21	532153236	Bolt Shoulder 5/16-18 Unc 1-2A
22	873680500	Nut Crown Lock 5/16-18
24	819171912	Washer 17/32 X 1-3/16 X 12 Ga
25	532127018	Bolt Shoulder 5/16-18 X 62

NOTE: All component dimensions given in U.S. inches.
1 inch = 25.4 mm

R

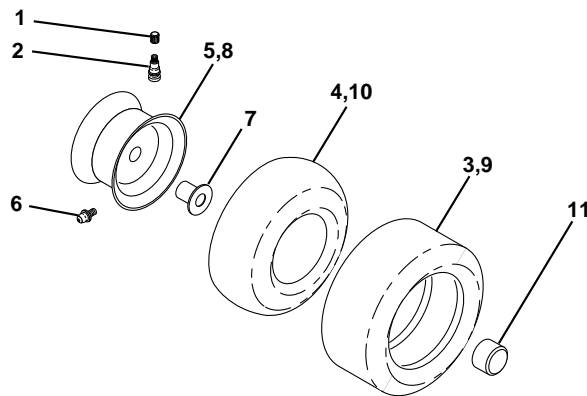
DECALS



KEY NO.	PART NO.	DESCRIPTION
3	532152247	Decal Hood RH
4	532152248	Decal Hood LH

R

WHEELS & TIRES

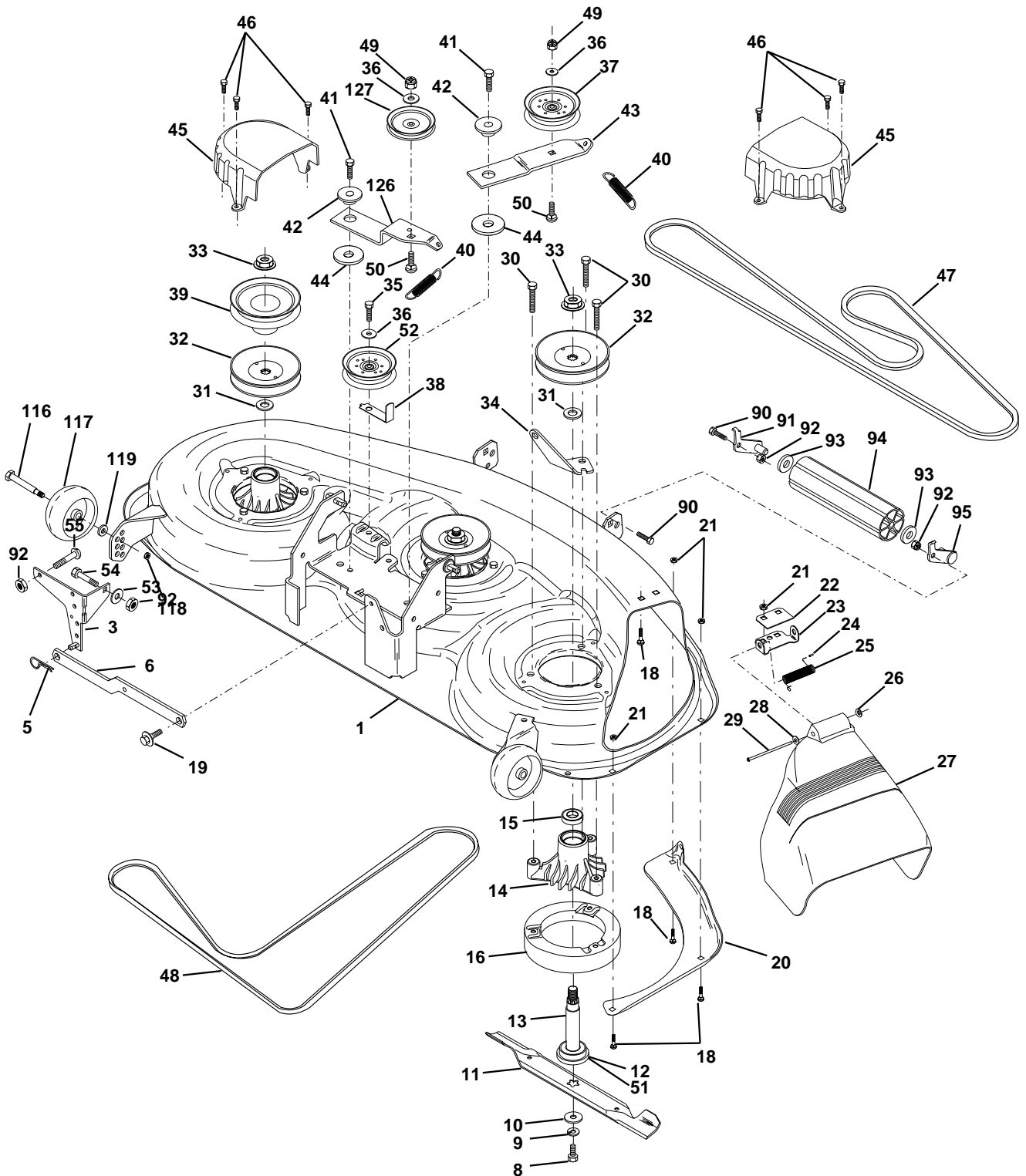


KEY NO.	PART NO.	DESCRIPTION
1	532059192	Cap Valve Tire
2	532065139	Stem Valve
3	532106222	Tire F Ts 15 X 6 0 - 6 Service
4	532059904	Tube Front (Service Item Only)
5	532138336	Rim Asm 6" front Silver Service
6	532124957	Fitting Grease (Front Wheel Only)
7	532124959	Bearing Flange (Front Wheel Only)
8	532138337	Rim Asm 8" rear Silver Service
9	532122082	Tire R Ts 20 10 C Service
10	532124926	Tube Rear (Service Item Only)
11	532104757	Cap, Hub Axle Blk 1.50 x 1.00

NOTE: All component dimensions given in U.S. inches
1 inch = 25.4 mm

M

MOWER DECK



M

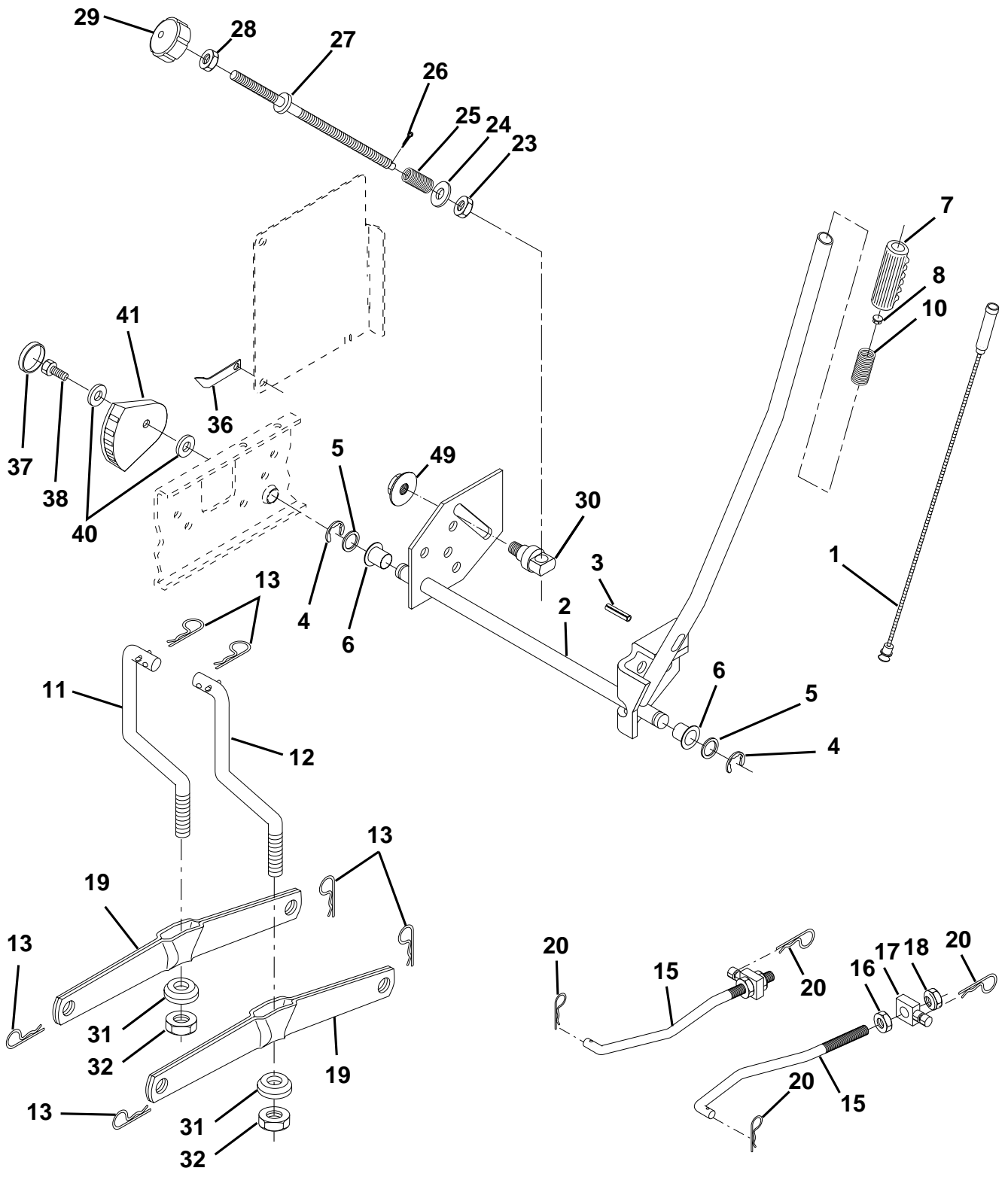
MOWER DECK

KEY NO.	PART NO.	DESCRIPTION	KEY NO.	PART NO.	DESCRIPTION
1	532153125	Deck Asm., Mower 46"	39	532144917	Pulley, Idler, Driven
3	532138457	Bracket Asm., Sway Bar	40	532137273	Spring, Secondary 44/46/50 Vent
5	532124670	Retainer Spring	41	817490620	Screw, Thdroll 3/8-16 x 1-1/4 Tytt
6	532130832	Arm, Suspension, Rear (Sway Bar)	42	532122052	Spacer, Retainer
8	532850857	Bolt, Patched 3/8-24 x 1-1/4 Gr. 8	43	532144949	Arm, Idler Secondary
9	810030600	Washer, Lock Hvy., Unplated 3/8	44	532133943	Washer, Hardened
10	532140296	Washer, Hard Blade, Mower Vented	45	532145059	Cover, Mandrel Deck
11	532144767	Blade, 46" Hi Perf	46	532137729	Screw, Thdroll. 1/4-20 x 5/8
12	532129895	Bearing, Ball, Mandrel #6204	47	532144959	V-Belt, Mower, Secondary
13	532137553	Shaft Asm. w/Lower Bearing (Includes Key No. 12)	48	532148763	V-Belt, Mower, Primary
14	532137152	Housing, Mandrel	49	873680600	Nut, Crownlock 3/8-16 UNC
15	532110485	Bearing, Ball, Mandrel	50	872110612	Bolt, Carriage 3/8-16 x 1-1/2 Gr. 5
16	532140329	Stripper, Mower Round	51	532153390	Washer Felt
18	872140505	Bolt, Carriage 5/16-18 x 5/8	52	532155191	Pulley Idler Flat 46 Pri Drive
19	532132827	Bolt, Hex Head, Shoulder 5/16-18	53	819131312	Washer 13/32 x013/16 x 12 Ga.
20	532145055	Baffle, Vortex Mower 46"	54	874780616	Bolt, Fin Hex 3/8-16 x 1 Gr. 5
21	873680500	Nut, Crownlock 5/16-18 UNC	55	872140608	Bolt Rdhd Sqnk 3/8-16 UNC x 1
22	532134753	Stiffener, Bracket	90	874760616	Bolt Fin Hex 3/8-16 UNC x 1
23	532131267	Bracket, Deflector	91	532132274	Bracket Asm Noseroller LH
24	532105304	Cap, Sleeve	92	873800600	Nut Lock Hex W/Ins 3/8-16 UNC
25	532123713	Spring, Torsion, Deflector	93	819171416	Washer 17/32 x 7/8 16 Ga.
26	532110452	Nut, Push	94	532132264	Roller Nose 38 & 42
27	532145325	Shield, Deflector Mower	95	532132273	Bracket Asm Noseroller RH
28	819111016	Washer 11/32 x 5/8 x 16 Ga.	116	532146851	Bolt, Shoulder
29	532131491	Rod, Hinge	117	532146850	Gauge Wheel
30	532138776	Screw, Hex Head, Thdroll	118	873930600	Nut, Centerlock 3/8-16 UNC
31	532129963	Washer, Spacer Mower Vented	119	819121414	Washer 3/8 x 7/8 x 14 Ga.
32	532153531	Pulley, Mandrel	126	532144948	Arm, Idler, Primary Deck 46"
33	532137266	Nut, Flg. Top Lock Cntr. 9/16	127	532146763	Pulley, Idler, V-Groove Dim. 4.25
34	532144945	Anchor, Spring Deck 46"	--	532150539	Mower Serv. 46" w/GWB Symbols
35	817490628	Screw, Thdroll 3/8-16 x 1-3/4 Tytt	--	532143651	Mandrel Asm
36	819131316	Washer 13/32 x 13/16 x 16 Ga.			(includes key #'s 8-10, 12-15, 31 and 32)
37	532131494	Pulley, Idler, Flat			
38	532137554	Keeper, Belt, Idler			

NOTE: All component dimensions given in U.S. inches
1 inch = 25.4 mm



MOWER LIFT



O

MOWER LIFT

KEY NO.	PART NO.	DESCRIPTION
1	532136973	Wire Asm Inner W/plunger 17.32
2	532145117	Shaft Asm Lift RH w/Inf W/T
3	532105767	Pin Groove 1 500 Zinc
4	812000002	E Ring #5133-62
5	819211621	Washer 21/32 X 1 X 21 Ga
6	532120183	Bearing Nylon Blk 629 Id
7	532109413	Grip Handle Bicycle
8	532124526	Button Plunger Black
10	532122512	Spring Cprsn 3 750 Oiled
11	532139865	Link Lift LH Fixed Length
12	532139866	Link Lift RH Fixed Length
13	532124670	Retainer Spring
15	532127218	Link Front
16	873350800	Nut Jam Hex 1/2-13 Unc
17	532130171	Trunnion Blk Zinc
18	873800800	Nut Lock W/wsh 1/2-13unc
19	532139868	Arm Suspension Rear
20	532124660	Retainer Spring
23	532110807	Nut Special
24	819131016	Washer 13/32 X 5/8 X 16 Ga
25	532124874	Spring 2-1/8"
26	876020308	Pin Cotter 3/32 X 1/2
27	532126971	Rod Adj Lift Zinc 7.49 Wrk Lg
28	873350600	Nut Hex Jam 3/8-16 Unc
29	532138057	Knob Inf 3/8-16 Unc Blk W/sym
30	532150233	Trunnion Infin Height
31	532140302	Bearing Pvt Lift Spherical
32	873540600	Nut Crownlock 3/8-24
36	532155097	Pointer Height ind
37	532123935	Plug Hole Blk 1.485/1.515 Dia.
38	817490512	Screw Thdrol 5/16-18 x 3/4
40	819112410	Washer 11/32 x 1-1/2 10 Ga.
41	532155098	Ind. Height STLT
49	532145212	Nut Hexflange Lock

NOTE: All component dimensions given in U.S. inches
1 inch = 25.4 mm

Free Manuals Download Website

<http://myh66.com>

<http://usermanuals.us>

<http://www.somanuals.com>

<http://www.4manuals.cc>

<http://www.manual-lib.com>

<http://www.404manual.com>

<http://www.luxmanual.com>

<http://aubethermostatmanual.com>

Golf course search by state

<http://golfingnear.com>

Email search by domain

<http://emailbydomain.com>

Auto manuals search

<http://auto.somanuals.com>

TV manuals search

<http://tv.somanuals.com>