

Jøtul F 400

Installation and Operating Instructions for USA/Canada	2
Montering- og bruksanvisning - Norsk	21
Montering- och bruksanvisning - Svenska	27
Installation and Operating Instructions - English	32
Manuel d'installation et d'utilisation - Francais	37
Instrucciones para instalación - Español	42
Manuale di installazione ed uso - Italiano	48
Montage- und Bedienungsanleitung - Deutsch	53
Installatie- en montagehandleiding - Nederlands	59



Monterings- og bruksanvisningen må oppbevares under hele produktets levetid. These instructions must be kept for future references. Wir empfehlen Ihnen, die Montage- und Bedienungsanleitung für spätere Zwecke sorgfältig aufzubewahren. Ce document doit être conservé pendant toute la vie de l'appareil.

USA/Canada

Installation and Operation Instructions for USA/Canada Installation et fonctionnement pour Canada

Safety Notice: If this solid fuel room heater is not properly installed, a house fire may result. For your safety, follow the installation directions. Contact local building or fire officials about restrictions and installation inspection requirements in your area. Kindly save these instructions for future reference.

Avis de sécurité: Une installation non appropriée de ce poêle de chauffage risque de provoquer un incendie. Assurez votre sécurité en respectant les directives d'installation suivantes. Consultez les autorités locales du bâtiment ou de la prévention des incendies au sujet des restrictions et exigences relatives aux inspections d'installations dans votre région.

Tested and listed by ITS, Intertek Testing Services, Middleton, Wisconsin.

Tested to U.S. Standards: ANSI/UL 737 and ANSI/UL 1482, Canadian Standards: CAN/ULC-S627-M93



Standards

The Jøtul F 400 woodstove has been tested and listed to;
U.S. Standards: ANSI/UL 737 and ANSI/UL 1482.
Canadian Standards: CAN/ULC-S627-M93

Tests performed by:

ITS, Intertek Testing Services, Middleton, WI

Manufactured by:

Jøtul AS, P.O. Box 1411, Fredrikstad, Norway

Distributed by:

Jøtul North America, P.O. Box 1157
400 Riverside Street, Portland, ME 04104

This heater meets the U.S. Environment Protection Agency's Emissions limits for wood heaters manufactured and sold after July 1, 1990.

Under specific test conditions, this heater has shown heat output at rates ranging from 11,300 to 27,800 BTU's per hour.

The Jøtul F 400 woodstove is only listed to burn wood. Do not burn any other fuels.

Read this entire manual before you install and use your new room heater.

Save these instructions and make them available to anyone using or servicing the stove.

Check Building Codes

When installing, operating and maintaining your Jøtul F 400 woodstove, follow the guidelines presented in these instructions, and make them available to anyone using or servicing the stove.

Your city, town, county or province may require a building permit to install a solid fuel burning appliance.

In the U.S., the National Fire Protection Association's Code, NFPA 211, *Standards for Chimneys, Fireplaces, Vents and Solid Fuel Burning Appliances*, or similar regulations, may apply to the installation of a solid fuel burning appliance in your area.

In Canada, the guideline is established by the CSA Standard, CAN/CSA-B365-M93, *Installation Code for Solid-Fuel-Burning Appliances and Equipment*.

Always consult your local building inspector or authority having jurisdiction to determine what regulations apply in your area.

Jøtul North America
400 Riverside Street
Portland, Maine 04104

Jøtul pursues a policy of continual product development. Products as supplied may therefore differ in specification, colour, or type of accessories, from those illustrated or otherwise described in publications and brochures.

Table of Contents

Standards and Safety Notices

Standards / Codes	2
Safety Notices	3
Installation	3

Assembly Before Installation

Unpack the Stove	4
Flue Collar Reversal	4
Chimney Connector	4
Chimney Requirements	4
Masonry Chimneys	4
Prefabricated Chimneys	5
Chimney Height	5
Wall Pass-Throughs	5

Connecting to the Chimney

Masonry Chimney	6
Hearthmount / Fireplaces	6
Prefabricated Chimneys	6

Clearances to Combustibles

Floor Protection	6
Clearances to Walls and Ceilings	6
Using Shields to Reduce Clearances	7
Alcove Installation	7
Mobile Home Installation	7
Clearance Diagrams	8
Clearance Chart	9

Operation

Wood Fuel	10
Controls	10
Break-in Procedure	10
Starting / Maintaining the Fire	10
Adding Fuel	11
Formation of Creosote	11

Maintenance

Ash Removal	11
Glass Care	11
Cleaning	11
Glass Removal	12

General Maintenance

Gaskets	12
Gasket replacement	12
Gasket List	12
Chimney System	12

Accessories

Firescreen	12
Stove-top Thermometer	13
Outside Air Kit	13
Floor Bracket Kit	13
Rear Heat Shield	13
Bottom Heat Shield	13

Illustrations

Figures	14 - 17
Parts Diagram and List	18
Appendix A	
Alternate Floor Protection	18

Safety Notices

- Burn solid wood fuel only.
- Do not use chemicals or fluids to start the fire. Do not burn garbage or flammable fluids.
- If this room heater is not properly installed, a house fire may result. To reduce the risk of fire, follow the installation instructions. Failure to follow these instructions may result in property damage, bodily injury, or loss of life.
- Contact the local building or fire officials about restrictions and installation inspection requirements in your area.
- Do not connect this stove to any air distribution duct or system.
- Extremely hot while in operation! Keep children, clothing and furniture away. Contact will cause skin burns.
- Avoid creating a low pressure condition in the room where the stove is operating. Be aware that operation of an exhaust fan or clothes dryer can create a low pressure area and consequently promote flow reversal through the stove and chimney system. In some cases, the optional Outside Air Kit #154335 can be used to alleviate this condition. The chimney and building, however, always work together as a system - provision of outside air, directly or indirectly to an atmospherically vented appliance will not guarantee proper chimney performance. Consult your local Jøtul authorized dealer regarding specific installation/performance issues.
- Jøtul recommends that this stove be installed by a professional solid fuel technician or that you consult one if you do the work yourself. Also, consult your insurance company regarding any other specific requirements.

Installation

If this solid fuel room heater is not properly installed, a house fire may result. For your safety, follow the installation directions. Contact the local building or fire officials about restrictions and installation inspection requirements in your area.

Your local officials have final authority in determining if a proposed installation is acceptable. Any requirement by the local authority having jurisdiction that is not specifically addressed in this manual, defaults to NFPA 211, and local codes in the U.S. or in Canada, CAN/CSA-B365-M and local codes.

USA/Canada

Assembly Before Installation

Unpack the Stove

Inspect the stove for damage. Contact your dealer immediately if any damage is found. Do not install the stove if any damage is evident.

Contents:

- Inspection Cover (Not for use in US/Canada)
- Door Handle
- Hardware Bag

Flue Collar Reversal

The Flue Collar is oriented in the Top Exit position. If a Rear Exit position is required, remove the two mounting bolts, and turn the collar 180 degrees. Secure the collar using the same bolts, nuts and washers.

Chimney Connector

Use 6" single wall or listed 6" double-wall stovepipe to connect the stove to the chimney. Single wall stovepipe must be black iron or stainless steel and have a minimum thickness of 24 gauge. Do not use aluminum or galvanized steel pipe for chimney connection - these materials are not suitable for use with solid fuel.

Follow these guidelines regarding chimney connector construction:

- **Do not use chimney connector as a chimney. It is intended only for use as a connection device.**
- Each connector section must be oriented with the male (crimped) end pointing toward the stove. See **fig. 2**.
- Secure all connector joints with three sheet metal screws.
- For the best performance, the chimney connector should be as short and direct as possible, including no more than two 90° elbows.
- **The maximum vertical run of single wall stovepipe should not exceed 10 ft. (305 cm). The maximum horizontal run should not exceed 3 ft. (92 cm) with a 1/4" rise per foot.**
- No part of the chimney connector may pass through an attic or roof space, closet or other concealed space, or through a floor or ceiling. All sections of the chimney connectors must be accessible for cleaning. Where passage through a wall or partition of combustible construction is desired, the installation must conform with NFPA 211 or CAN/CSA-B365, and is also addressed in this manual.
- **Do not connect this stove to a chimney flue servicing another appliance.**

Chimney Requirements

There are two types of chimneys suitable for the Jøtul F 400:

1. A code-approved masonry chimney with a ceramic tile or listed steel flue liner.
2. A prefabricated chimney complying with the requirements for Type HT (2100°F) chimneys per UL 103 or ULC S629.

The chimney size should not be less than the cross-sectional area of the flue collar, and not more than three times greater than the cross-sectional area of the flue collar.

When selecting a chimney type and the location for the chimney in the house, keep this in mind: **It is the chimney that makes the stove work, not the stove that makes the chimney work.** This is because a chimney actually creates a suction, called "draft" which pulls air through the stove. Several factors affect draft: chimney height, cross-sectional area (size), and temperature of the chimney, as well as the proximity of surrounding trees or buildings.

A short masonry chimney on the exterior of a house will give the poorest performance. This is because it can be very difficult to warm the chimney thereby creating inadequate draft. In extremely cold climates, it may be necessary to reline the chimney or extend its height to help establish draft.

A tall, interior masonry chimney is easier to keep warm and will perform the best under a variety of weather and environmental conditions.

The following guidelines give the necessary chimney requirements based on the national code (ANSI-NFPA 211 for the US. And CSA CAN-B365 for Canada). However, many local codes differ from the national code to take into account climate, altitude, or other factors. Your local building inspector is the final approving authority. Consult them prior to installation.

Do not connect the stove to any air distribution duct or system.

Masonry Chimneys

When installing the Jøtul F 400 into a masonry chimney you must conform to all of the following guidelines:

- The masonry chimney must have a fireclay liner or equivalent, with a minimum thickness of 5/8" (14 mm) and must be installed with refractory mortar. There must be at least 1/4" (12.7 mm) air space between the flue liner and chimney wall.
- The fireclay flue liner must have a nominal size of 8" X 8" (20 cm x 20 cm), and should not be larger than 8" X 12" (20 cm x 30 cm). A round fireclay liner must have a minimum inside diameter of 6" (15 cm) and maximum inside diameter of 8" (20 cm). A larger chimney should be relined with an appropriate code approved liner.

- Brick or modular block must be a minimum of 4" (10 cm) nominal thickness. Stone construction must be at least 12" (30 cm) thick.
- A newly-built chimney must conform to local codes, or, in their absence, must comply with national regulations.
- An existing chimney must be inspected by a professional licensed chimney sweep, fire official, or code officer to ensure that the chimney is in proper working order.
- No other appliance may be vented into the same flue.
- An airtight clean-out door should be located at the base of the chimney.

Prefabricated Chimneys

A prefabricated metal chimney must be tested and listed for use with **solid fuel burning appliances**. High Temperature (HT) Chimney Standard UL 103 for the U.S. and High Temperature Standard ULC S-629 for Canada.

The manufacturer's installation instructions must be followed precisely. Always maintain the proper clearance to combustibles as established by the pipe manufacturer. This clearance is usually a minimum of 2", although it may vary by manufacturer or for certain chimney components.

Chimney Height

The chimney must be at least 3 feet (92 cm) higher than the highest point where it passes through the roof and at least 2 feet (61 cm) higher than the highest part of the roof or structure that is within 10 feet (3.05 m) of the chimney, measured horizontally. See **figure 3**.

Chimneys shorter than 14 feet (4.27 m) may not provide adequate draft. Inadequate draft can result in smoke spillage when loading the stove, or when the door is open. Poor draft can also cause back puffing (ignition of gas build-up inside the firebox) and sluggish performance. The minimum height does not, in itself, guarantee proper chimney performance.

Excessive chimney height can promote over-strong draft resulting in high stove temperatures and short burn times. Excessive draft can be corrected by installing a butterfly damper. Your Jøtul dealer is an expert resource to consult regarding draft issues or other performance-related questions.

Wall Pass-Throughs

In the U.S.

The National Fire Protection Association's publication, NFPA 211, *Standard for Chimneys, Fireplaces, Vents and Solid Fuel Burning Appliances* permits four methods for passing through a combustible wall. Before proceeding with any method be sure to consult with your local building officials to discuss any local code requirements.

Common Method:

- See **figures 4 and 5**. Remove all combustible materials from the pass-through area (around the chimney connector), a minimum 12" (30.5 cm). A 6" (15.2 cm) diameter connector will require a 31" x 31" (78.7 x 78.7 cm) square opening.
- The opening must be filled with at least 12" (30.5 cm) of brick around a fireclay liner. The liner must be ASTM C35 or equivalent, having a minimum wall thickness of 5/8" (16 mm).
- The Pass-through must be at least 18" (45.7 cm) from combustible ceiling materials.
- It will be necessary to cut wall studs, install headers, and construct a sill frame to maintain the proper dimensions and to support the weight of the brick.
- The bricks must be solid brick with a minimum of 3 inches thick (nominal 4" / 102 mm).
- Refractory mortar must be used at the junction of the chimney and the pass-through liner. The pass-through liner must not penetrate the chimney liner beyond the inner surface of the chimney liner. Use extreme care when constructing the hole in the chimney liner as the tiles can shatter easily.

In Canada

The installation must conform to CAN/CSA-B365, *Installation Code for Solid Fuel Burning Appliances and Equipment*. Before proceeding be sure to consult your local building inspector.

Common Method:

- This method requires the removal of all combustible materials from at least 18" (45.7 cm) around the chimney connector's proposed location. A 6" round liner requires a minimum opening 43" x 43" (109.2 x 109.2) square.
- Locate the pass-through at least 18" from combustible ceiling materials.
- The space that is cleared of combustible materials must remain empty. Sheet metal panels can be used to cover the area. However, when using a panel on both sides of the wall, each cover must be installed on noncombustible spacers at least 1" from the wall. If one panel of sheet metal is to be used it may be installed flush to the wall.

See **section 5.3.1 and 5.3.2 of CAN/CSA - B365-M91**. Consult your local building inspector, authorized Jøtul Dealer, NFPA 211 in the U.S. or CAN/CSA-B635 in Canada for other approved wall pass-through methods.

USA/Canada

Connecting to the Chimney

Masonry Chimney

When installing a Jøtul F 400 into a masonry chimney through a “thimble” (the opening through the chimney wall to the flue), the thimble must consist of ceramic tile or steel and be securely cemented in place.

The chimney connector/stove pipe must slide completely inside the thimble to the inner surface or the flue liner. It may be necessary to make use of a thimble sleeve (a pipe with a slightly smaller diameter than standard stove pipe). See **figure 5**.

The connector pipe or thimble sleeve must not protrude into the flue liner or otherwise restrict draft.

Use refractory cement to seal the seam between the chimney connector, sleeve, and thimble.

Do not connect this stove to a chimney flue servicing another appliance of any kind.

Hearthmount into a Masonry Fireplace

The Jøtul F 400 may be installed into a masonry fireplace provided the height of the opening is a minimum of 29 1/2". Use of the Short Leg Package will reduce the stove height by 2 1/4" (57 mm).

Building code requires that the fireplace damper plate be removed or securely fixed in the open position. A connector pipe must then extend from the stove's flue exit through the damper area of the fireplace and into the chimney tile liner. See **figure 6**.

The inside area of the flue liner must not be less than the area of the stove flue collar and cannot be more than three times greater than the cross sectional area of the stove flue collar.

If the chimney liner is too large to accommodate the stove, an approved relining system must be installed to resize the flue.

A new sheet metal damper block-off plate must be installed around the connector pipe at the damper frame and sealed with the proper sealant (usually High-Temp Silicone).

Prefabricated Chimneys

When connecting the Jøtul F 400 to a prefabricated metal chimney always follow the pipe manufacture's instructions and be sure to use the components that are required. This usually includes some type of “smoke pipe adapter” that is secured to the bottom section of the metal chimney and allows the chimney pipe to be secured to it with three sheet metal screws. See **figure 7**.

Clearance to Combustibles

Floor Protection *(For both U.S. and Canada)*

The Jøtul F 400 requires *one* of the following three forms of hearth protection:

1. Any UL, ULC or WH listed hearth board. (No bottom heat shield required).
2. Any noncombustible material that has a minimum R- value of 2.0. (No bottom heat shield required.)
3. Any noncombustible material with the use of the stove's bottom heat shield.

All forms of protection must include a noncombustible surface extending a minimum of 18" (460 mm) in front of the stove, and 8" (200 mm) from the sides and back of the stove (measured from side and back panels).

This will result in a minimum floor protection of 42"W X 44"D. See **figure 8**.

In a rear vent installation, the floor protection must also extend under the stove pipe a minimum of 2" (50 mm) beyond either side of the pipe. See **figure 8**.

Consult appendix A at the back of this section for alternate floor protection methods and materials.

Clearances to Walls and Ceilings

The clearances listed and diagramed in this manual have been tested to UL and ULC standards and are the minimum clearances to combustible materials specifically established for the Jøtul F 400.

A combustible surface is anything that can burn (i.e. sheet rock, wall paper, wood, fabrics etc.). These surfaces are not limited to those that are visible and also include materials that are behind noncombustible materials.

If you are not sure of the combustible nature of a material, consult your local fire officials.

Remember: “Fire Resistant” materials are considered combustible; they are difficult to ignite, but will burn. Also “Fire-rated” sheet rock is also considered combustible.

Contact your local building officials about restrictions and installation requirements in your area.

See pages 8-9 for complete clearance requirements and diagrams.

Using Shields to Reduce Clearances

Chimney Connector Heat Shields: Use only connector heat shielding listed for use with solid fuel heaters. The connector heat shield must begin 1" above the lowest exposed point of the connector pipe and extend vertically a minimum of 25" (640 cm) above the top surface of the stove.

Double Wall Connector: Listed double wall pipe is an acceptable alternative to connector pipe heat shields.

Wall-Mounted Protection: When reducing clearances through the use of wall mounted protection:

- **In the U.S. refer to NFPA 211, Standard for Chimneys, Fireplaces, Vents and Solid Fuel Burning Appliances,** for acceptable materials, proper sizing and construction guidelines.
- **In Canada, refer to CAN/CSA-B365, Installation Code for Solid-Fuel Burning Appliances and Equipment,** also for acceptable materials, proper sizing and construction guidelines.

Stove Mounted Heat shield: Rear Heat Shield #154385 is approved for use with the Jøtul F 400 in the US. and Canada. **No other heat shield may be used.**

Notice: Many manufacturers have developed woodstove accessories that permit clearance reduction. Use only those accessories that have been tested by an independent laboratory and carry the laboratory's testing mark. Be sure to follow all of the manufacturer's instructions.

Alcove Installation

The Jøtul F 400 can be installed in an Alcove as diagrammed in **figures 9 and 10.**

1. The stove *must be* installed with listed double wall pipe.
2. In a protected alcove installation both side walls and rear wall must be protected per NFPA 211 or CAN/CSA-B365. The wall protection must be elevated 1" (25 mm) from the floor and spaced at least 1" (25 mm) off the combustible wall, using noncombustible spacers, to allow for air circulation behind the shield.
3. The height of the wall protection including the bottom air space must be 48" (121 cm).
4. The Bottom Heat Shield **is required in all** Alcove installations.
5. Alcove floor protection must consist of a UL/ULC or WHI listed hearth pad **or** a non combustible material with a minimum R value of 2.0.
6. Minimum ceiling height in an **unprotected** installation, off the top of the stove is 58"(148 cm). The minimum ceiling height off the top of the stove in a **protected** ceiling installation is 36 (91.5 cm).

Mobile Home Installation

The Jøtul F 400 has been approved for use in mobile homes in the U.S. and Canada with the following stipulations:

1. The stove must be secured to the floor of the mobile home. Use Floor Bracket Kit #750304.
2. The stove is provided outside air for combustion. Outside Air Kit #154335 (see page 16 for more details).
3. Use only listed double-wall pipe for the chimney connection.
4. The stove must be grounded to the mobile home chassis.
5. The stove must otherwise be installed in accordance to 24CRR, Part 3280 (HUD).

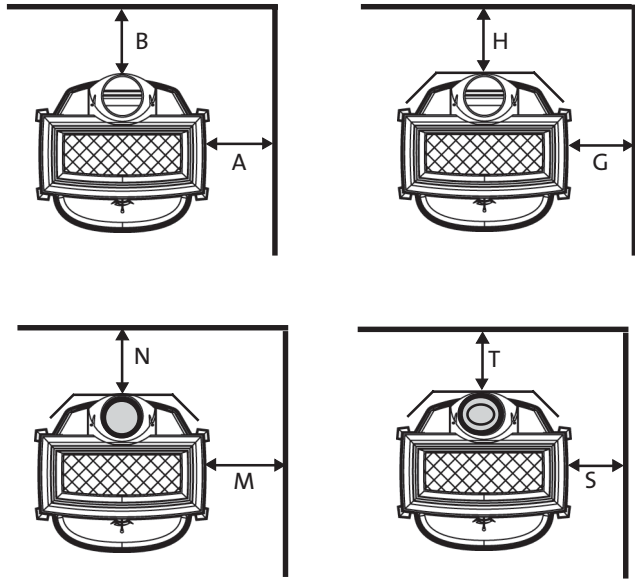
Consult with your local building inspector or fire officials about restrictions and requirements in your area, prior to installing the stove.

Warning!

Do not install this stove in a bedroom/sleeping room. Do not install the stove in any way that might compromise the structural integrity of the mobile home floor, walls, ceiling, or roof.

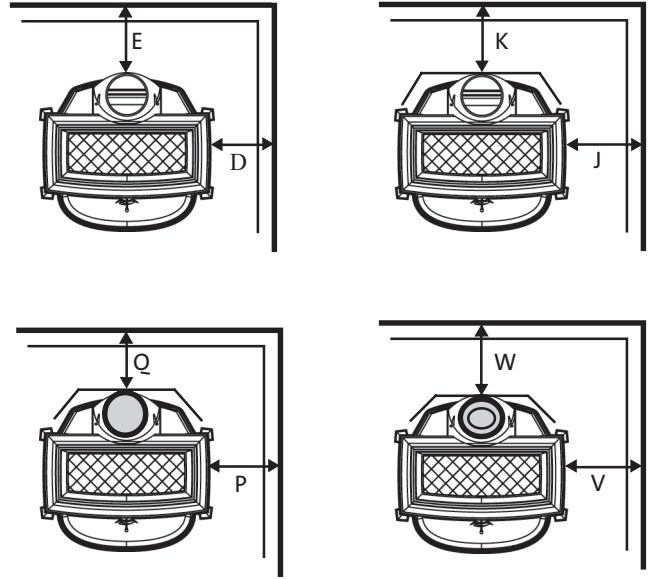
Jøtul F 400 Woodstove Clearances

Unprotected Surface Parallel to the Wall



Protected Surface Parallel to the Wall

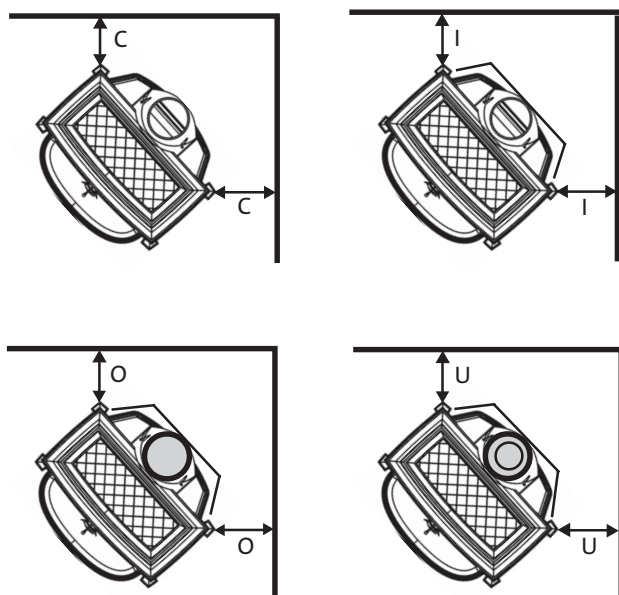
PER NFPA 211 or
CAN/CSA-B365



Important:
Connector heatshields and double wall pipe must be a listed product.
Always follow the manufacturer's instructions.

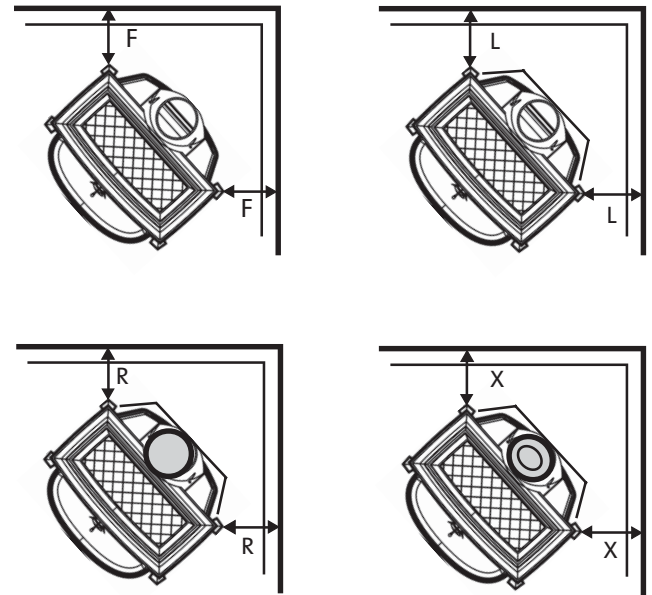


Unprotected Surface Corner Installation



Protected Surface Corner Installation

PER NFPA 211 or
CAN/CSA-B365



Jøtul F 400 Woodstove Clearances

Stove Clearances	Unprotected Surface Installation			Protected Surface Installation PER NFPA211 OR CAN/CSA -B365-M93		
	Side	Rear	Corner*	Side	Rear	Corner*
Stove -no heatshield single wall pipe	19" A 485mm	25" B 635mm	18" C 460mm	11" D 280mm	7" E 180mm	8" F 205mm
Stove -with rear heatshield single wall pipe	18" G 460mm	18" H 460mm	13" I 330mm	11" J 280mm	7" K 180mm	8" L 205mm
Stove -no heatshields double wall pipe	16" 405mm	19" 485mm	13" 330mm	8" 205mm	7" 180mm	6" 150mm
Stove -with rear heatshield with connector shield	15" M 380mm	7" N 180mm	11" O 280mm	8" P 205mm	7" Q 180mm	6" R 150mm
Stove -rear heatshield with double wall pipe	15" S 380mm	7" T 180mm	11" U 280mm	8" V 205mm	7" W 180mm	6" X 150mm
Connector Clearances (Pipe)	Unprotected Surface Vertical Installation			Protected Surface Vertical Installation		
	per NFPA211 OR CAN/CSA-B365-M93					
Single wall pipe	25" 635mm			12" 300mm		
Single wall pipe with rear heatshield	18" 460mm			7" 180mm		
Single wall pipe with connector shields	7" 180mm			7" 180mm		
Double wall pipe	7" 180mm			7" 180mm		
Connector Clearances (Pipe)	Unprotected Surface Horizontal Installation			Protected Surface Horizontal Installation		
				per NFPA211 OR CAN/CSA-B365-M93		
Single wall connector	18" 460mm			7" 180mm		
Double wall Pipe	6" 150mm			6" 150mm		
Mantel and Trim Clearances	Stove to 1" thick or less, side trim			13" 300mm		
	Stove to 1" thick or less, top trim			23" 585mm		
	Stove to mantel- maximum mantel depth 12"			25" 635mm		

USA/Canada

Operation

Please read the following section completely, before building a fire in your new Jøtul F 400 .

Use Solid Wood Fuel Only

First this stove is designed to burn natural wood only. Wood that has been air-dried for a period of 6 to 14 months will provide the cleanest, most efficient heat.

Do not burn:

- | | |
|------------|-----------------------------|
| *Coal | *Treated or painted wood |
| *Garbage | *Chemical Chimney cleaners |
| *Cardboard | *Colored paper |
| *Solvents | *Any synthetic fuel or logs |

The burning of any of these materials can result in the release of toxic fumes. Never use gasoline, gasoline-type lantern fuel, kerosene, charcoal lighter fluid, or similar liquids to start or “freshen-up” the fire. Always keep such liquids away from the heater at all times.

Important: Never build or allow the fire to rest directly on the glass panel. The logs should always be spaced at least one inch from the glass to allow for proper air flow within the firebox.

Controls on the Jøtul F 400

Combustion air is controlled by the Primary Air Lever, located above the ashlip on the front of the stove. The lever actuates a shutter over the air inlet which regulates the volume of primary air entering the firebox and affects heat output and burn time.

When first starting or reviving the fire: the primary control lever should be at the far right position, which allows the maximum amount of air into the stove. The greater the amount of air entering the stove, the hotter and faster the fire will burn. **Moving the lever to the left** reduces the airflow into the stove which prolongs the fire at a lower heat output. See **figure 11**.

Air Flow / Performance

Primary air enters the firebox directly above the glass panel on the door. The incoming air creates a turbulent barrier or “airwash” between the glass and the fire. Reducing the flow of primary air directly reduces the effectiveness of the airwash. Determining the primary air setting for the best overall performance for your particular needs and installation will only be established over time through trial and error.

Break-In Procedure

The Jøtul F 400 is constructed of cast iron and stove furnace cement. This type of construction requires the stove to be “broken-in” gradually so that heat expansion

does not occur too quickly and cause damage. The following steps describe the proper break-in procedure for the Jøtul F 400 :

1. Light a small fire of newspaper and kindling. Only allow the stove to reach a maximum surface temperature of 200°F (93° C). Burn for approximately 1 hour.
2. Allow the stove to cool to room temperature.
3. Light a second fire, allowing the stove to reach a maximum temperature of 300°F (149°C) for 1 hour.
4. Cool the stove to room temperature.
5. Light a third fire and gradually allow the stove to reach a surface temperature of 400°F (204°C).
6. Cool stove to room temperature. This completes the “break-in” procedure.

To monitor the stove’s temperature, use a magnetic stove-top thermometer, *placed directly on the corner of the stove’s top plate*.

Note: Keep the stove under 400°F (204°C) surface temperature during any “break-in fire”, with the exception of the last “break-in” fire. If the temperature exceeds 400°F, move the primary air control lever all the way to the left to shut off the air supply completely. It is normal that the stove top temperature will continue to climb until the fuel burns down somewhat. Once the fire is out and the stove has cooled to room temperature, continue the break-in procedure. **Never attempt to reduce the temperature by removing burning logs from the fire.**

Note: *It is normal* for a new painted stove to emit an odor and smoke during its first several fires. This is caused by the seasoning of the high temperature paint and will diminish with each fire. Opening a window or door to provide additional ventilation will alleviate this condition.

Starting and Maintaining a Fire

Burn only solid wood directly on the bottom grate of the stove. Do not elevate the fire in any way.

- **The ash pan door on the stove must always be securely closed when the stove is in operation.**
 - **Burning the stove with the Ash Door open will over-fire the stove and cause interior damage.**
1. With the primary air control lever in the full open position (*to the right*), start with several sheets of crumpled newspaper placed directly on the grate. On top of the newspaper, place several pieces of small dry kindling (approx. 1” in diameter) with two to three larger logs (approx. 3” to 5” in diameter) on top.
 2. Light the fire and close the door, slowly building the fire by adding larger and larger logs. Be sure to follow the break-in procedure before creating a hot fire that might damage the stove.
 3. Once the stove has reached a surface temperature range of between 400° and 600°, (204°C -316°C), adjust the primary air control lever as necessary to generate the heat output and burn time desired.
Jøtul recommends use of a magnetic stove top thermometer to monitor the surface temperature of the stove. The optimum surface temperature range for

the most efficient burn is between 400° and 600° (204°C -316°C).

See **figure 12** for the best locations to place a stove-top thermometer.

Never overfire the stove. If any part of the stove or chimney glows, you are overfiring. A house fire or serious damage to the stove or chimney could result. If this condition occurs, immediately close down the air control.

Adding Fuel

When reloading the stove while it is still hot and a bed of hot embers still exist, follow this reloading procedure:

- Always wear gloves when tending to the stove.
- Push the air control lever to the full open position (far right).
- Wait a few seconds before opening the door.
- Use a stove tool or poker to distribute the hot embers equally around the firebox.
- Load the fuel, usually with smaller logs first.
- Close the door, be sure to latch the door tightly.
- Wait 5 – 10 minutes before adjusting the primary air to the desired heat output setting. (If you have at least a 2" thick ember bed when reloading, it may be possible to close the door and immediately adjust the air control setting).

The Formation of Creosote

When wood is burned slowly and at low temperatures, it produces tar and other organic vapors, which combine with moisture to form creosote. The slow moving smoke carries the creosote vapors, which condense in the cooler chimney flues, and this creosote then sticks to the chimney walls.

The creosote that accumulates in the chimney is highly flammable and is the fuel of chimney fires. To prevent chimney fires it is important to have the chimney and chimney connector pipe inspected and/or cleaned semiannually. A qualified chimney sweep or other authorized service person can provide this service.

It is also important to remember that chimney size, temperature and height all affect draft which in turn affects the formation of creosote. Be sure to follow the installation and operation guidelines established in this manual.

Maintenance

Ash Removal

For your protection always wear safety gloves when handling the ash pan.

Ash removal will be required periodically depending on how frequently the stove is used. The Jøtul F 400 is equipped with an exterior ash pan assembly that allows easy ash removal without opening the front door.

The ash pan door is located under the front ashlip of the stove. To open the ash door, engage the receptacle end of the door handle with the square fitting on the ash door latch. Rotate the door counterclockwise to unlatch the door and clockwise to latch the door.

With a gloved hand, grasp the ash pan handle and remove the ash pan. Always close the ash pan door before leaving to dispose of the ashes.

The ashes should be placed in a metal container equipped with a tight sealing lid. The container should be placed on a noncombustible floor or on the ground, well away from all combustible materials, pending final disposal. If the ashes are disposed of by burial in soil or otherwise locally dispersed, they should be retained in the closed container until all cinders have thoroughly cooled.

Glass Care

Cleaning

On occasion it will be necessary to clean the carbon deposits and fly ash off of the glass. If the carbon and fly ash are allowed to remain on the glass for an extended period of time it could eventually cause the glass to become etched and cloudy. Any creosote that might develop on the glass will burn off during the next hot fire.

Follow this cleaning procedure:

1. Glass needs to be **completely cool**.
2. Only use a cleaner that is specifically designed for this purpose. The use of abrasives will damage the glass and ultimately leave the glass frosted.
3. Rinse and dry glass completely before burning the stove.

Caution! Always operate the door slowly and carefully to avoid cracking or breaking the glass. Never use the door to push wood into the firebox. If the glass becomes cracked or broken follow the replacement procedure below. **Never operate the stove with a cracked or broken glass panel.**

Important: Replace glass only with ceramic glass panel specifically designed for the Jøtul F 400 . Do not use substitutes. Replacement glass is available from your local Jøtul dealer.

USA/Canada

Glass Removal

1. Remove the door from the stove and place on a flat surface.
2. Carefully remove all of the glass clips from the inside of the door.
3. Gently remove the glass panel and gasketing.
4. Using a wire brush, remove all remaining debris from the glass area .
5. Apply a small bead of gasket/stove cement and the new gasket. Do not overlap the ends of the gasket rope.
6. Center the new glass panel over the gasket and reinstall the glass clips. See **figure 13**.
7. It may be necessary to retighten the glass clips after the stove has be burned and the gasketing has been seated.

Important: It is extremely important to tighten the glass clips slowly and in an alternating pattern as you would tighten the lugs on an automobile wheel.

General Maintenance

As with your car, regular maintenance will prolong the life of your stove and ensure satisfactory performance.

At least once per year you should perform the following maintenance procedures:

- Thoroughly clean the stove. Use a soft cloth with soap and water to clean enamel surfaces. Be sure the stove is cold, before cleaning.
- Empty stove of all soot and ashes. Only use a vacuum for this job if the vacuum is specifically designed for ashes.
- Inspect the stove seams. Use a utility light to inspect the stove inside and out for cracks or leaks. Replace all cracked parts and repair any cement leaks with furnace cement.

Gaskets

Check door and glass panel gaskets for tightness. To check the seal of the front door, close and latch the door on a dollar bill and slowly try to pull the dollar bill free. If it can be easily removed, the seal is too loose. Check several spots around the door, and repeat the procedure on the ash pan door as well.

Gasket Replacement

1. Use pliers and a putty knife to remove the old gasket from the door.
2. Thoroughly clean the channel with a wire brush.
3. Apply a small bead of cement to the channel.

4. Gently press the new gasket into the cement to seat it in the channel. Close and latch the door and then reopen. Wipe any excess cement squeezed out from around the gasket.

Gasket List for the Jøtul F 400

Description	Size	Length
Top Plate Gasket	3/8" LD	7
Smoke Outlet Gasket	3/16" LD/SA	3'
Ash Housing Gasket	3/16" LD/SA	4'
Ash Door Gasket	5/16" LD	4'
Glass Gasket	3/8" LD	5'
Door Gasket	5/16" LD	5,8'

Chimney System

The Jøtul F 400 is designed to burn cleanly and efficiently when used according to the guidelines in this manual. In order to maintain proper performance, you should inspect the chimney and chimney connector at least twice a year and clean when creosote and fly ash deposits exceed 1/4" in any part of the system. Failure to keep the chimney system free of creosote and build up could result in a serious chimney fire.

Accessories

Use only accessories that are specifically designed for use with the Jøtul F 400 .

Firescreen (# 129650)

The Jøtul F 400 has been approved for use as an open fireplace, with front door open. Care should be taken when operating the stove as a fireplace.

- Always have the Firescreen in place, attached to the stove front.
- Never overload the stove. For the best appearance, burn logs in the traditional three log configuration.
- When you operate the stove with the screen in place, efficiency is sacrificed for the sake of aesthetics, much as with a conventional fireplace. Wood will burn at a much faster rate as combustion air is uncontrolled. Most of the heat value of the wood will be lost up the chimney.

Not all installations will support the use of the firescreen. Moderate or low draft conditions may result in smoke spillage from the stove when using the firescreen.

Warning: Operate your Jøtul F 400 with the front door fully open and the firescreen in place or fully closed. A partially opened door may result in overfiring. Also, if the door are left partly open, gas and flame may be drawn out of the stove opening, creating risks from both fire and smoke.

Stove-Top Thermometer (# 5002)

Jøtul recommends the use of a magnetic stove-top thermometer to monitor the surface temperature of the stove. The optimum surface temperature range for the most efficient, clean burn is between 400° and 600°.

Outside Air Kit (#154335)

Your local building code may require that an outside air supply be connected to the stove. Jøtul Outside Air Kit 154335 must be used in these installations unless otherwise specified by the local code official. While the use of outside air may be beneficial in some installations, in itself, such a system does not guarantee proper chimney performance. The Outside Air Kit includes an adapter collar to attach the air duct to the stove. Installation will require these additional materials not included in the kit:

1. 3" (80 mm) diameter flexible metallic Air Duct - of appropriate length to reach from the stove to the outside of the house.
2. Weatherproof Duct Cap for the duct termination on the outside of the house.
3. Rodent Screen - no larger than 1/4" (5 mm) mesh.

Outside air should be considered if:

1. The stove does not "draw" steadily. Smoke rollout occurs when the door are opened. Fuel burns poorly. Backdrafts occur with or without a fire burning.
2. Other fuel-fired equipment in the house, such as fireplaces or other heating appliances, smell, do not operate properly, suffer smoke roll-out when opened, or back-draft whether or not there is combustion present.
3. Opening a window slightly on a calm (windless) day alleviates any of the above symptoms.
4. The house is equipped with a well-sealed vapor barrier and tight fitting windows and/or has any powered devices that exhaust house air.
5. There is excessive condensation on the windows in the winter.
6. A ventilation system is installed in the house.

If these or other indications suggest that infiltration air is inadequate to supply sufficient air for the stove, additional combustion air should be provided from the outdoor. Outside combustion air can be provided to the appliance by the following means:

1. **Direct connection:** The Jøtul F 400 has been tested and approved for use with the outside air kit listed above.
2. **Indirect method:** Outside air is ducted to a point no closer than (12") 300 mm from the stove, to avoid affecting

the performance of the appliance.

3. **A mechanical ventilation system:** If the house has a ventilation system (air change or heat recovery):
 - a. The ventilation system may be able to provide sufficient combustion makeup air for the solid-fuel appliance.
 - b. The homeowner should be informed that the ventilation system might need to be rebalanced by a ventilation technician after installation of the appliance.

Note: Provision of outside air to the stove, directly or indirectly, may fail to remedy the problems outlined above. Chimney performance is determined by a variety of interrelating factors which may not be affected by the air supply. Your local Jøtul authorized dealer is your best resource for information regarding chimney and stove performance issues.

Floor Bracket Kit (#750304)

Use of the Floor Bracket Kit is required in all mobile home installations to secure the stove to the floor. Complete installation instructions and diagrams are supplied with each Floor Bracket Kit.

Rear Heat Shield (# 154385)

A stove rear heat shield has been specifically designed for the Jøtul F 400 to reduce clearances off the rear of the stove to combustible materials. Use of the heat shield **does not** affect the clearance off the sides of the appliance. See pages 8-9 for specific clearance requirements. Complete installation instructions are supplied with the heat shield.

No other type of heat shield may be used on the rear of the Jøtul F 400 .

Bottom Heat Shield (# 154384)

The bottom heat shield supplied with your stove has been specifically designed for the Jøtul F 400 . It is required in all alcove installations. Use of the bottom heat shield **does not** affect the floor protection requirements described on page 6 of this manual.

No other type of heat shield may be used on the bottom of the Jøtul F 400 .

USA/Canada

Fig. 1

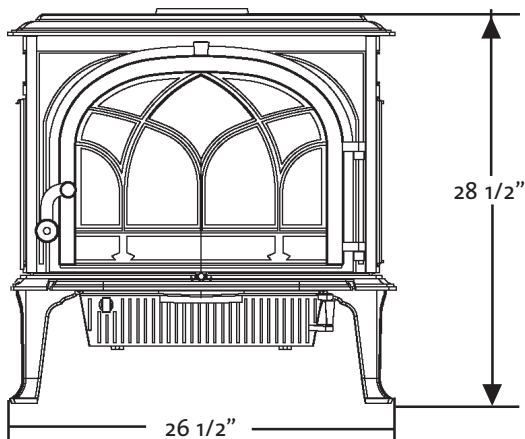
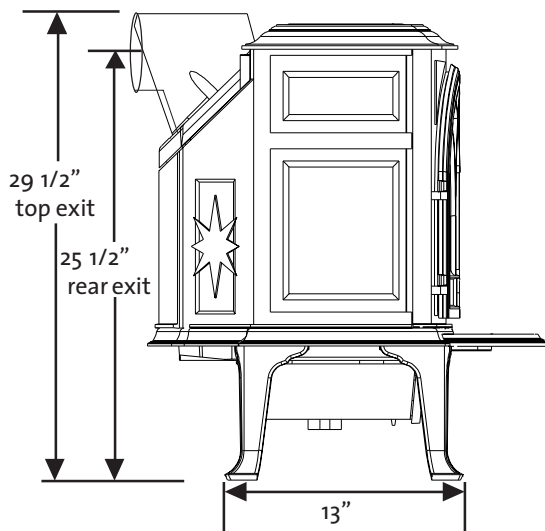
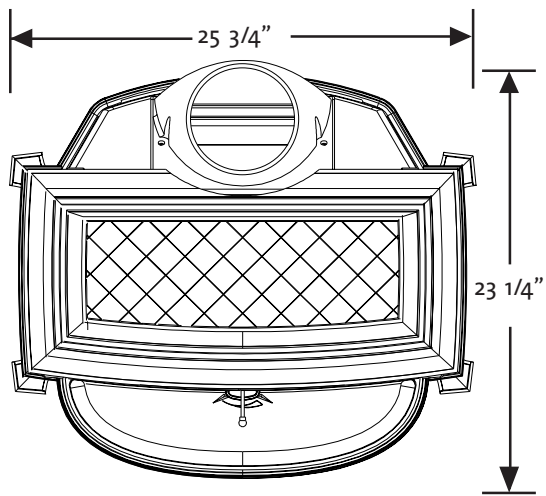


Fig. 2

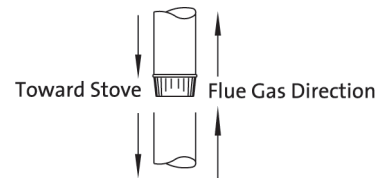


Fig. 3

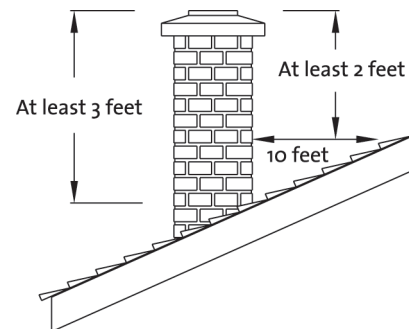


Fig. 4

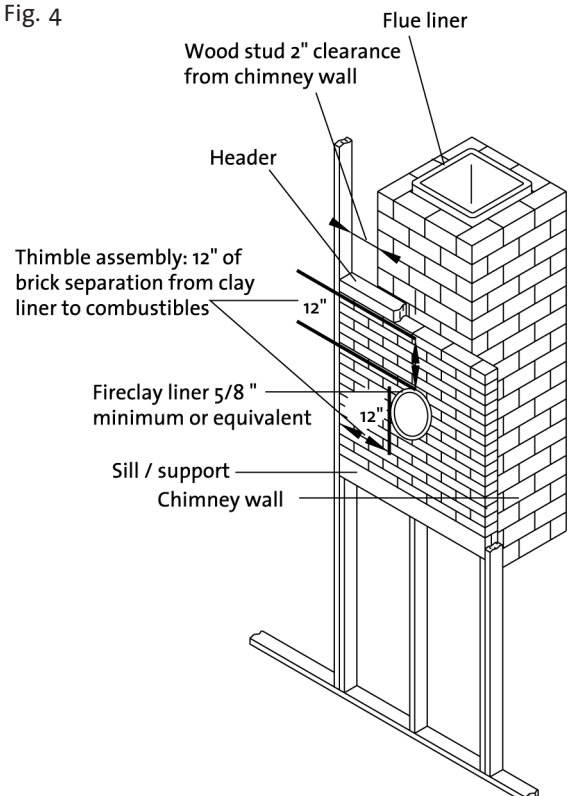


Fig. 5

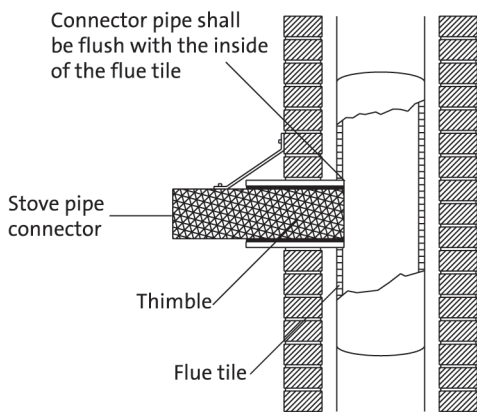


Fig. 8

Hearth Protection

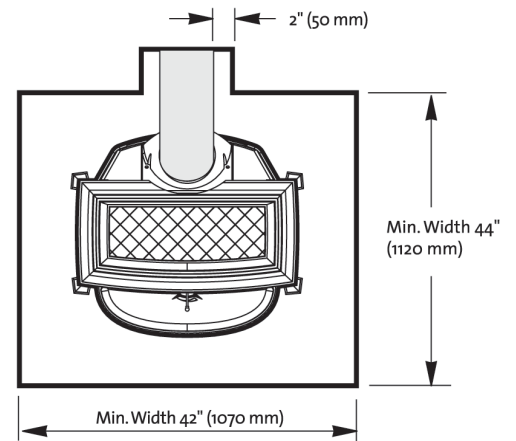


Fig. 6

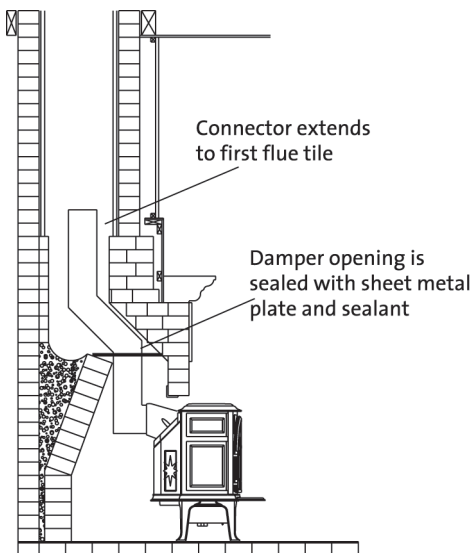


Fig. 9

Unprotected alcove installation

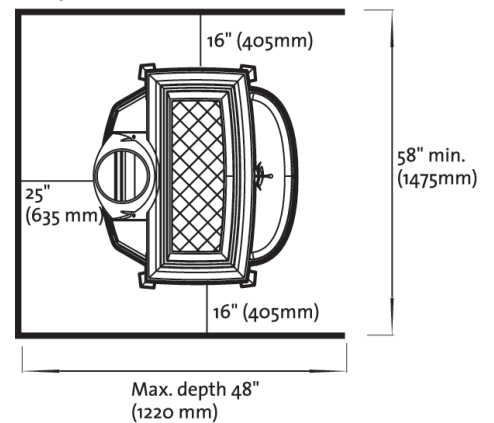


Fig. 7

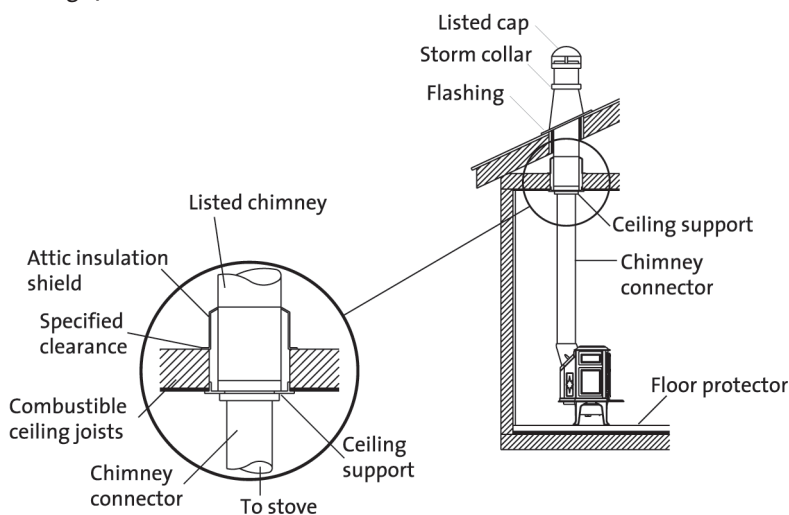
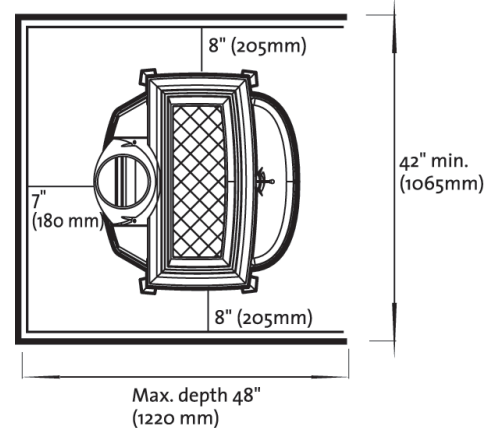


Fig. 10

Protected alcove installation



Protection and air space must comply with NFPA 211OR CAN/CSA-B365.

USA/Canada

Fig. 11

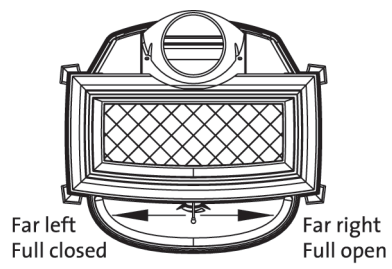


Fig. 12

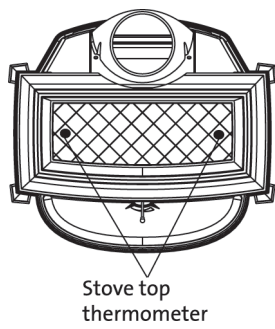
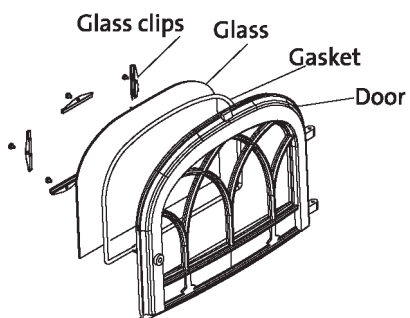
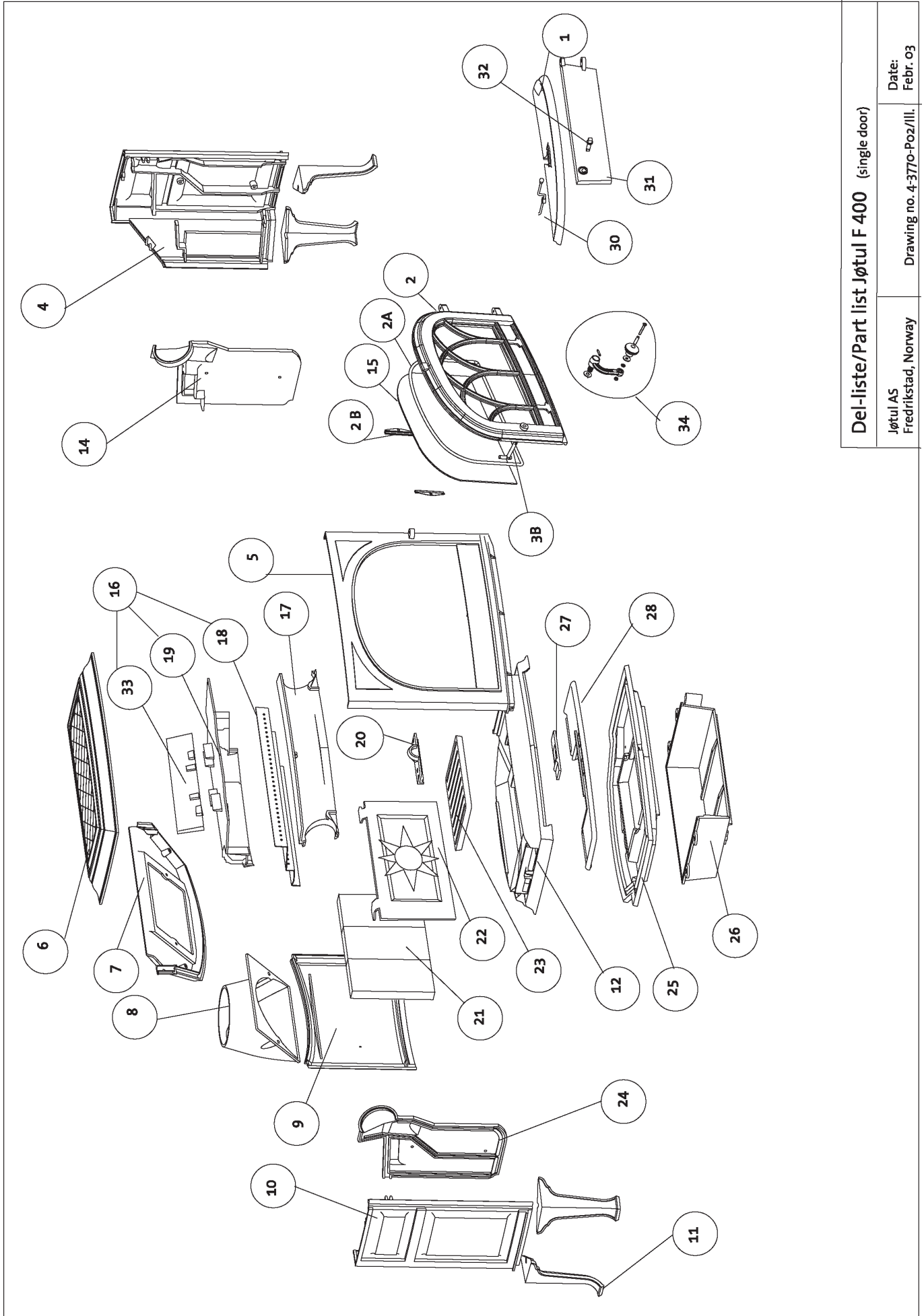


Fig. 13





Del-liste/Part list Jøtul F 400 (single door)

Jøtul AS
Fredrikstad, Norway

Drawing no. 4-3770-P02/III.

Date:
Febr. 03

USA/Canada

Parts list for the Jøtul F 400 woodstove

Consult your dealer for part numbers and replacement parts.

- 1 Ashlip
- 2 Door
- 2A Gasket
- 2B Glass clips
- 3B Latch
- 4 Right side panel
- 5 Front panel
- 6 Top casting
- 7 Upper back panel
- 8 Smoke outlet
- 9 Back panel
- 10 Left side panel
- 11 Leg (long leg)
- 12 Upper bottom panel
- 13 Front door handle
- 14 Right burn plate
- 15 Glass panel
- 16 Airchamber
- 17 Air wash manifold
- 18 Top baffle (stainless steel)
- 19 Baffle cover (cast iron)
- 20 Air inspection cover
- 21 Rear burn plate
- 22 Fire brick (3)
- 23 Bottom grate
- 24 Left burn plate
- 25 Lower bottom panel
- 26 Ashpan housing
- * Ashpan
- 27 Air slider/valve
- 28 Air divider
- 30 Air control lever (chrome)
- Allen head screw
- 31 Ashpan door
- * Ashpan door pin
- 32 Ash door handle
- 33 Baffle plate II
- 34 Latch compl.

- * Not shown

Appendix A

Alternate floor protection

All floor protection materials must be non-combustible (ie. metal, brick, stone, mineral fiber boards). Any combustible material may not be used.

The easiest means of determining if a proposed alternate floor material meets requirements listed in this manual is to follow this procedure.

R-value = thermal resistance
k-value = thermal conductivity
C-value = thermal conductance

1. Convert the specification to R-value;
 - a. If R-value is given, no conversion is needed.
 - b. If k-value is given with a required thickness (T) in inches:
 $R=1/k \times T$.
 - c. If C-value is given: $R=1/C$.
2. Determine the R-value of the proposed alternate floor protector.
 - a. Use the formula in Step 1 to convert values not expressed as "R".
 - b. For multiple layers, add R-values of each layer to determine overall R-value.
3. If the overall R-value of the system is greater than the R-value of the specified floor protector, the alternate is acceptable.

Example:

The specified floor protector should be 3/4" thick material with a k-factor of 0.84. The proposed alternate is 4" brick with a C-factor of 1.25 over 1/8" mineral board with a k-factor of 0.29.

Step A. Use formula above to convert specifications to R-value. $R=1/k \times T= 1/.84 \times .75 = .893$

Step B. Calculate R of proposed system.

- 4" brick of C-1.25, therefore
 $R \text{ brick} = 1/C = 1/1.25 = 0.80$.
- 1/8" mineral board of $k = 0.29$ therefore
 $R \text{ mineral board} = 1/.29 \times 0.125 = 0.431$

Total R = R brick + R mineral board=
 $0.8 + 0.431=1.231$

Step C. Compare proposed system R = 1.231 to specified R of 0.893. Since R is greater than required, the system is acceptable.

Definitions:

Thermal conductance =
$$C = \frac{\text{Btu}}{(\text{hr})(\text{ft}^2)(\text{F})} = \frac{\text{W}}{(\text{m}^2)(\text{K})}$$

Thermal conductivity =
$$k = \frac{\text{Btu}}{(\text{hr})(\text{ft}^2)(\text{F})} = \frac{\text{W}}{(\text{m}^2)(\text{K})} = \frac{(\text{Btu})}{(\text{hr})(\text{ft})(\text{F})}$$

Thermal resistance=
$$R = \frac{\text{Btu}}{(\text{hr})(\text{ft}^2)(\text{F})} = \frac{(\text{m}^2)(\text{K})}{\text{W}} = \frac{(\text{Btu})(\text{inch})}{(\text{hr})(\text{ft}^2)(\text{F})}$$

The Jøtul F 400 Castine woodstove requires floor protection with a minimum insulating r value of 0.5.

Alcove installation require a minimum r value of 1.6. (If a ul/ulc or whi listed hearth pad is not used.)

PRODUKTDOKUMENTASJON: SINTEF 045-089

FOR BRANNTTEKNISK SIKKERHET

Med henvisning til Plan- og bygningsloven revidert 1997-06-13 med Teknisk forskrift og tilhørende Veiledning av 1997-01-22 dokumenteres, med grunnlag i prøvingsrapporter og vurderinger, at angitt produkt imøtekommer norske myndigheters krav til brannteknisk sikkerhet.

- Søker og produktansvarlig:** Jøtul ASA, Postboks 135, 1601 Fredrikstad
- Produsent:** Jøtul ASA, Postboks 135, 1601 Fredrikstad
- Produktnavn:** Jøtul F 400 EU
- Produkttype:** Frittstående, lukket ildsted av støpejern.
- Beskrivelse:** Lukket ildsted med steinforet bakvegg i brennkammer. Tofløyed dør med glassvindu. Topp og bakuttak for røkrør 150 mm. Vekt ca. 160 kg.
- Bruksområde:** Ildsted fyrt med ved, maks. lengde 50 cm. Oppstilling mot brannmur uten skjermplate, ≥ 100 mm både bak og til side, mot brennbar vegg med skjermplate bak, ≥ 100 mm bak og 300 mm til side. Kan også tilkobles toppmontert stålppe. Røkløp ≥ 177 cm².
- Vurderingsgrunnlag:** Prøvingsrapport: 22N041.82A (sikkerhet) og 22N041B (Miljø) av 2000-09-05 fra SINTEF Bygg og miljøteknikk – Norges branntekniske laboratorium.
Tegningsunderlag: #1 - #41 av 2000-06-05 fra ITS og delliste av 2000-08-25 fra Jøtul
- Prøvingsresultater:** Tilfredsstillende kravene til partikkelutslipp i henhold til NS 3059 klasse II.
Tilfredsstillende norske krav til brannsikkerhet når monterings- og bruksanvisning med NBL's stempel blir fulgt. (Anvisningen med kopi av dette dokumentet skal følge ildstedet og være tilgjengelig for montør, bruker og kontrollerende myndighet / feier).
- Merking:** Produktet skal merkes med komplett registreringsnummer, eventuelt også med produktnavn og produktansvarlig. Merkingen skal være lett synlig.
- Tilvirkningskontroll:** Produktdokumentasjonens gyldighet er betinget av at det opprettes avtale om tilvirkningskontroll med NBL eller annet inspeksjonsorgan som NBL aksepterer. Kontrollen skal sikre produktets samsvar med vurderingsgrunnlaget.
- Gyldighetstid:** **Inntil videre, men ikke lenger enn til 2005-09-12**
Fornytelse utstedes på grunnlag av skriftlig søknad. Oppsigelse ved innehaver skal være skriftlig og med 6 mnd. varsel. NBL kan tilbakekalle en produktdokumentasjon ved misligheter eller misbruk, når skriftlig pålegg om endring ikke blir tatt til følge.

Trondheim, 2000-09-12

Svein Baade
Svein Baade

Øyvind Brandt
Øyvind Brandt

Innhold

Forhold til myndighetene

Tekniske data for Jøtul F 400	21
Sikkerhetsregler	22
Brannforebyggende tiltak	22

Installasjon av Jøtul F 400

Fundamentering	22
Skorstein	22
Luftsirkulasjon	22
Montering før installasjon	22
Kontroll av funksjoner	23
Montering av røykrør	23
Tilslutning til skorstein	23

Bruksanvisning

Første gangs opptenning og daglig bruk	24
Ved første gangs oppfyring	24
Daglig bruk	24

Vedlikehold

Rengjøring av glass	24
Fjerning av aske	24
Rensing og sotfjerning i produktet	24
Feiing av røykrør til skorstein	25
Kontroll av ildstedet	25
Utvendig vedlikehold	25
Vedlengde-, mengde-, og kvalitet	25
Jøtuls definisjon av kvalitetsved	25

Servicearbeider

Utskifting av brennplater	25
Utskifting av hvelv	25

Ekstraustyr

Korte bein	25
Skjermplate - bak	25

Figurer-tegninger	64-65
-------------------------	-------

Forhold til myndighetene

Jøtul F 400 er et rentbrennende produkt og har produkt dokumentasjon for luftforurensning og brannteknisk sikkerhet utstedt av SINTEF, Norges Branntekniske Laboratorium med registreringsnr. SINTEF 045-089 Dette er påført produktets typeskilt.

Installasjon av et ildsted må være i henhold til det enkelte lands lover og regler og din forhandler kan tilby deg hjelp for å sørge for at installasjonen er sikker og lovlig. Monterings-, installasjons- og bruksanvisninger er vedlagt produktet. Installasjonen kan først tas i bruk når den er kontrollert av godkjent kontrollør.

Ifølge Forskrift om brannforebyggende tiltak og tilsyn, skal eier melde fra til kommunen når det har vært installert nytt ildsted eller foretatt andre vesentlige endringer ved fyringsanlegget.

Det er viktig å forsikre seg om at pipen er riktig dimensjonert for ildstedet og at pipetilslutningen er tett og fungerer korrekt. Røykgass som trenger inn i lukkede rom kan representere en alvorlig helsefare.

Et typeskilt av varmebestandig material er plassert på skjermplassen for askehuset. Det inneholder følgende informasjon; produsent, adresse, produktnavn, katalognummer, produksjonsnummer, effekt, godkjeningsnummer.

Tekniske data for Jøtul F 400:

Materiale:	Støpejern
Overflatebehandling:	Sort lakk og emalje
Type brensel:	Ved
Maks. vedlengde:	50 cm
Trekksystem:	Luftspyling
Forbrenningssystem:	Sekundærforbrenning
Røykuttak:	Topp/bak
Røykrør:	Ø 150 mm
Mulighet for stålpipeline:	Ja
Vekt ca.:	158 kg
Tilleggsutstyr:	Skjermplate-bak, korte ben (155 mm)
Produktmål, brannmurmål	Se fig. 1

NORSK

Sikkerhetsregler

Advarsel! Man må forsikre seg om at det er nok tilførsel av uteluft til det rommet hvor ildstedet blir installert.

Utilstrekkelig luft-tilførsel kan forårsake at røykgasser kommer ut i rommet. Dette er meget farlig! Symptomer på dette kan være tretthet, kvalme og uvelhet.

Krav til gulvplate: Skal ildstedet anbringes på gulv av brennbart materiale, må hele gulvet under ildstedet, og **min.** 300 mm foran ildstedet, dekkes av en plate av ikke brennbart materiale.

Avstand fra produkt til vegg av brennbart materiale (fig.1): Ved montering av skjermplate bak på produktet, kan ildstedet plasseres med en avstand på **100 mm** til vegg av brennbart materiale. Avstanden til sidevegg må være min. **300 mm.**
(NB. Skjermplate er tilleggsutstyr)

NB! Røykrøret må skjermes når avstand fra ytterkant røykrør til vegg av brennbart materiale er mindre enn 300 mm. (Skjermplate for røykrør kan bestilles hos din Jøtulforhandler).

Avstand fra produkt til brannmur (fig. 1): Ved *rettveggsmontering* er det mulig å plassere ildstedet med en avstand på **40 mm** mellom brannmur og skjermplate- når denne er montert. *Uten skjermplate* er ildstedet godkjent for plassering med en avstand på **100 mm** fra produktets bakvegg/side til brannmur.

Krav til brannmur: Brannmuren skal være minst **100 mm** tykk og være utført av teglstein, betongstein eller lettbetong. Andre materialer og konstruksjoner med tilfredsstillende dokumentasjon kan også benyttes, f.eks. Jøtul Brannpanel. **NB! Bruk av naturstein er ikke tillatt.**

Montering av ildsted i nisje: Et frittstående ildsted er tillatt plassert i en nisje dersom denne er oppført med brannmurs tykkelse. Nisjens minimumsmål må gi **100 mm** fri avstand fra produktet til bakvegg og sider. Nisjens høyde skal være produktets maksimale høyde + nisjens dybde. Fronten må være åpen.

Uisolert røykrør: Hvis uisolert røykrør går gjennom etasjeskiller eller vegg, skal det støpes eller mures rundt, slik at rørets ytre flate ikke kommer nærmere brennbart materiale enn min. **300 mm.** Isolerte røykrør kan ha en annen avstand, jfr. eventuelt brannteknisk produktdokumentasjon for røykrøret.

Brannforebyggende tiltak

Enhver bruk av ildstedet kan representere en viss fare.

Ta derfor hensyn til følgende anvisninger:

- Sørg for at møbler og annet brennbart materiale ikke kommer for nær ildstedet. Det skal være en avstand foran ildstedet på **minst 600 mm.**

- La ilden brenne ut. Slukk den aldri med vann da dette kan skade produktet.
- Ildstedet blir varmt under fyring, og kan forårsake forbrenning hvis det berøres.
- Aske må plasseres forsvarlig utendørs, eller tømmes der dette ikke medfører brannfare.
- Til ethvert ildsted bør det være en oppbevaringsbeholder av ikke-brennbart materiale med lokk for sot og aske.
- Sot og aske må oppbevares i denne beholderen minst 1 uke, for å være sikker på at siste gnist er slukket. Må beholderen tømmes før den tid, skal rikelig med vann slås i beholderen og røres om.
- Ta gjerne vare på asken. Den er utmerket i bruk som gjødsel til f.eks. roser.

Installasjon av Jøtul F 400

NB! Kontroller at ildstedet er fri for skader før installasjonen begynner.

Produktet er tungt! Sørg for hjelp når det skal settes opp og monteres.

Fundamentering

Dersom Jøtul F 400 skal plasseres på et tregulv, bør man forsikre seg om at gulvet under ildstedet er dimensjonert for dette.

Skorstein

Ildstedet kan tilknyttes teglstensskorstein, elementskorstein eller stålskorstein. Minimum skorsteinstverrsnitt må være 177 cm². (Tilsvarende Ø150 mm). Tilslutning til skorstein må utføres i henhold til skorsteinsleverandørens monteringsanvisninger.

Luftsirkulasjon

Bruk av ildsted krever rikelig frisklufttilgang til rommet der produktet er plassert. Dersom huset er tett, bør rommet utstyres med ekstra frisklufttilførsel gjennom ventiler. Mekanisk avtrekk bør ikke brukes i et rom med ildsted. Dette kan skape undertrykk og kan trekke giftige gasser inn i rommet.

Montering før installasjon

Jøtul F 400 selges i mange land, som har forskjellige krav til ildsteder. Dette medfører at du som har kjøpt ildstedet i Europa, må foreta noen små endringer før du installerer produktet.

Rett innenfor dørene sitter det en inspeksjonsluke som er festet med 2 stk. skruer i ytterkanten. Inspeksjonsluken skrues av og erstattes med en tilsvarende del som ligger i

askeskuffen. Denne er merket: **Europa**. Sikkerhetsskruen i midten (**fig. 6**) demonteres, og settes på den nye inspeksjonsluken som er merket Europa.

- Topplaten er festet med 2 stk. transportskruer. Disse må fjernes p.g.a. bestemmelser om tilgang til å feie røykrør. Dette gjøres ved at røykstussen først skrues av - slik at man kommer til de to transportskruene som sitter iskrudd fra innsiden av produktet - mellom sidestykker og topplate. *Obs. Topplaten skal ligge løst montert på produktet.*
- Askeleppen, som ligger inne i brennkammeret, settes på plass under døren.
- I brennkammeret ligger det også en skjermplate som skal festes under askehuset. Skjermplaten brettes ut, (**fig. 2A**) og festes med 2 skruer som er festet i askehuset (**fig. 2B**).
- Skru dørnottene på håndtakene til hoveddøren og askedøren. (**Se fig. 3 B+C og fig. 7.**)

Kontroll av funksjoner (fig. 3)

Når produktet er oppstilt, kontrollerer *alltid* betjeningsorganene. Disse skal bevege seg lett, og virke tilfredsstillende.

Trekkventil (A)

Venstre posisjon = lukket.

Høyre posisjon = fullt åpnet.

Dørhåndtak (B)

Mot venstre = åpnet.

Mot høyre = lukket.

Askedør (C). Åpne døren ved å dreie håndtaket mot klokken.

Bruk en hanske e.l. og trekk skuffen ut.

NB! Fjern asken kun når ildstedet er kaldt.

Montering av røykrør

Ildstedet bør prøvemonteres først uten at det tas hull i skorsteinen. Se **fig. 1** for mål til vegg av brennbart materiale. Ildstedet monteres med $\varnothing 150$ mm røykrør. **Dette skal være av godkjent tykkelse.**

Jøtul F 400 er fra fabrikk montert for topputtak av røykrøret. Ønsker man bakuttak, løsnes de to skruene på sidene, og stussen roteres 180° . Fest skruene godt igjen.

- Røykrør $\varnothing 150$ mm plasseres med den smaleste enden av røret direkte inn i produktets røykuttak. På begge sider av røykuttaket er det plassert en skrue (**fig. 4-A**). Disse skal brukes til å feste røykrøret.
- Merk av på røykrøret hvor skruene treffer når røret er helt i bunnen av røykuttaket, og bor et hull på 5,5 mm i røykrøret for skruen.
- Bruk pakningssnor til å tette mellom røykrør og produktets røykuttak.
- Skru fast røykrøret.

NB! Det er viktig at sammenføyningene/røykrørene er helt tette. Falsk luft e.l. kan ødelegge funksjonen.

Tilslutning til skorstein

Bor hull for røykrøret. Avstand fra ovn til skorstein skal være som vist i **fig. 1**. Bruk alltid murstuss ved montering på skorstein. På element-skorsteinene skal leverandørens anbefalte murstuss brukes. Følg nøye leverandørens monterings-/og bruksanvisning ved tilslutning til skorstein med hensyn til tørketid av mørtel/ovnskitt, før ildstedet tas i bruk.

Se til at røykrøret aldri heller inn mot skorsteinen. Det skal minimum være vannrett, aller helst ha noen millimeters stigning.

NB! En korrekt og tett tilslutning er meget viktig for produktets funksjon.

Vær obs på at det er særdeles viktig at tilslutninger har en viss fleksibilitet. Dette for å forhindre at setninger i huset fører til sprekkdannelse.

Bruksanvisning

Første gangs opptenning og daglig bruk

Jøtul F 400 er et rentbrennende produkt som ved hjelp av ekstra tilførsel av forbrenningsluft, sørger for en etterbrenning av skadelige gasser og partikler. Det er viktig at systemet blir brukt riktig.

Ildstedet er utstyrt med betjeningsmuligheter som er beskrevet i avsnittet: **Kontroll av funksjoner.**

Ved første gangs oppfyring

Åpne trekkventilen under døren fullt ved å skyve ventilen helt til høyre (**fig. 3-A**). Legg i avispapir, fliser og ved, og begynn med et lite bål. Øk mengden etterhvert og fyr friskt et par timers tid. La det brenne ut og gjenta så dette en gang til.

NB! Lukt under innfyring:

Lakkerte produkter: Under første gangs oppfyring kan ildstedet gi fra seg en irriterende gass som kan lukte noe. Gassen er ikke giftig, men det bør foretas en skikkelig utlufting av rommet. Fyr med god trekk til samtlige gasser har brent ut - til hverken røyk eller lukt merkes mer.

Emaljerte produkter: De første gangene et nytt ildsted brukes, kan det danne seg kondensvann på overflaten. Dette må tørkes bort for å unngå at det dannes varige flekker når overflaten blir varm.

Daglig bruk

Tenn opp ved hjelp av avispapir og noe finkløyvd ved. Legg to halvstore trestykker ut/inn på hver sin side i peisbunnen. Krøll litt avispapir (evt. never fra bjørkeved) mellom disse, legg litt finkløyvd ved på kryss og tvers, og tenn opp. Øk vedstørrelsen etterhvert.

Trekkventilen (fig. 3- A) reguleres når veden har antent skikkelig og brenner godt. Kontrollér at etterbrenning (sekundærforbrenning) starter. Dette sees best ved å kontrollere at gule stikkflammer brenner ved hvelvet. Deretter regulerer du forbrenningen til ønsket varmeavgivelse ved hjelp av trekkventilen. Bruk *alltid* kvalitetsved. Det gir det beste resultatet, og vil ikke påføre produktet skader.

Fyr aldri med følgende materialer:

- husholdningsavfall, plastposer o.l.
- malt eller impregnert trevirke (som er meget giftig)
- spon og- laminerte plater
- rekved (drivved)

Dette kan skade produktet, og er forurensende.

NB! Bruk aldri væsker som bensin, parafin, rødsprit e.l. til opptenning. Du kan skade både deg selv og produktet.

NB! Advarsel mot overfyring: Ildstedet må aldri overfyres.

Med overfyring forstås et for stort ilegg av ved, og/eller ikke regulert trekk.

Trekken i skorsteinen bør ikke overstige 2,5 mmVs (25 Pa).

Et sikkert tegn på overfyring er at produktet får glødende punkter. Redusér da trekkinnstillingen øyeblikkelig.

OBS! Hvert ilegg bør brenne ned til glør før du på nytt legger i.

Vedlikehold

Rengjøring av glass

Jøtul F 400 er utstyrt med topptrekk (luftspyling). Ved hjelp av trekkventilen suges det luft inn i overkant av ildstedet og spyles nedover langs innsiden av glasset. Dette systemet har den fordel at det gir bedre forbrenning og reduserer sotbelegget på glasset.

Det vil allikevel alltid dannes noe sot på glasset, men mengden vil være avhengig av de stedlige trekkforhold og regulering av trekkventilen. Mesteparten av sotbelegget vil normalt bli brent av når trekkventilen blir regulert opp til maks., og det fyres friskt i ildstedet.

Et godt råd! Ved vanlig rengjøring; fukt et kjøkkenpapir med varmt vann og ta på litt aske fra brennkammeret. Gni over glasset og tørk deretter av glasset med rent vann. Dersom det er behov for å rengjøre glasset grundigere, er en glassrens å anbefale (følg bruksanvisningen på flasken).

Fjerning av aske

Jøtul F 400 har askeskuff som gjør det enkelt å fjerne asken. Skrap asken gjennom risten i fyrbunnen og ned i askeskuffen. Bruk en hanske el. lignende- ta tak i håndtaket til askeskuffen og bær asken ut. Se til at askeskuffen aldri blir så full at det hindrer asken i å komme gjennom fyrriksen og ned i skuffen.

Dette må utføres kun når ildstedet er kaldt.

Sørg for at døren til askeskuffen er godt stengt under fyring i ildstedet.

Se forøvrig beskrivelse av hvordan håndtere aske under: **Brannforebyggende tiltak.**

Rensing og sotfjerning i produktet

Under fyring vil det kunne danne seg et sotbelegg på innsiden av ildstedets varmeflater. Sot har en god isolerende effekt, og vil derfor redusere ildstedets varmeavgivelse.

En årlig rengjøring innvendig vil være nødvendig for å få maksimalt varmeutbytte av produktet. Foreta dette gjerne i forbindelse med feiing av skorstein og piperør.

Feiing av røykrør til skorstein

Feiing av røykrør kan utføres gjennom feieluken i røykrøret, eller ved å løfte vekk topplaten og feie gjennom produktets røykuttak.

Kontroll av ildstedet

Jøtul anbefaler at du selv kontrollerer ditt ildsted nøye etter at feiing/rengjøring er gjennomført. Kontrollér alle synlige overflater for sprekker. Se også til at alle sammenføyninger er tette, og at pakninger ligger riktig. Pakninger som er slitt eller deformerte, bør byttes ut.

Rens pakningssporet godt, påfør keramisk lim (fås kjøpt hos din lokale Jøtul forhandler), og press pakningen godt på plass. Etter kort tid er sammenføyningen tørr.

Utvendig vedlikehold

Lakkerte produkter vil etter noen års bruk kunne endre farge. Overflaten bør pusses og børstes fri for løse partikler før ny Jøtul ovnslakk påføres.

Emaljerte produkter skal kun tørkes med en tørr klut. Bruk ikke vann og såpe. Eventuelle flekker fjernes med et rensmiddel (Stekeovnsrens e.l.).

Vedlengde, mengde og kvalitet

Maks. vedlengde er **50 cm**. Veden legges parallelt med brennkammerets bakvegg. Jøtul F 400 har med sin virkningsgrad en varmeavgivelse på nominell **7,0 kW**. Etter beregninger tilsvarer nominell varmeavgivelse forbruk av ca. 2,8 kg kvalitetsved pr. time.

Jøtuls definisjon av kvalitetsved

God kvalitetsved bør være tørket slik at vanninnholdet er på ca 20-25%.

For å oppnå dette, bør veden hugges *senest* på etterm vinteren. Den kløyves og stables på en slik måte at den blir luftet. Stablene må overdekkes for ikke å trekke for store mengder regnvann. Veden bør tas inn tidlig høst, og stables/lagres for bruk kommende vinter.

Med kvalitetsved menes det meste av kjent norsk trevirke, som bjørk, gran og furu.

Energimengde i 1 kg ved varierer lite. På den annen side varierer egenvekten hos de ulike typene ved relativt mye. Dette innebærer at energimengden (kWh) i en bestemt volummengde, f.eks. gran, er mindre enn for den samme volummengde av eik som har høyere egenvekt.

Energimengden til 1 kg kvalitetsved er ca. 3,8 kWh. 1 kg helt tørr ved (0 % fuktighet) gir ca 5 kWh, mens ved med en fuktighetsgrad på 60%, bare gir ca 1,5 kWh/kg.

Servicearbeider

Utskifting av brennplater

- Ildstedet har sidebrennplater som er skrudd fast. Den bakre brennplaten står løst- bare holdt på plass av sidestykkene.
- Ved utskifting må hvelvet først fjernes, så løsnes skruene - og brennplatene fjernes.

Utskifting av hvelv

- Løft av topplaten
- Hvelvet hviler oppe på brennplatene.
- Ved demontering må brakettene, som holder hvelvet klemt ned mot brennplatene, løsnes. Bruk en hammer og slå disse forsiktig ut mot dørene. **Se fig. 5**
- Løft hvelvet opp og ut gjennom toppen.
- Ved tilbakemontering, følg samme fremgangsmåte i omvendt rekkefølge.

Ekstraustyr

Korte bein - høyde 155 mm

Sort lakk -	kat.nr. 350173
Blå sort emalje -	kat.nr 350174
Sjøgrønn emalje -	kat. nr. 350328
Edelhvitt emalje -	kat. nr. 350176

Skjermplate bak

Sort:	kat.nr. 350694
Aluzink lakkert:	kat.nr. 350695

Ved montering av skjermplate bak på produktet, kan Ildstedet plasseres med en avstand på **100 mm** til vegg av brennbart materiale. Avstanden til sidevegg må være min. **300 mm**.

TYPGODKÄNNANDEBEVIS 0309

MED BESLUT OM TILLVERKNINGSKONTROLL

SAKORD: ELDSTAD
Braskaminer

BBR 5:42
BSAB: PHB (R4)

VEDELDAD BRASKAMIN JØTUL F 400

Innehavare

JØTUL ASA, P.O Box 1411, N-1602 Fredrikstad, Norge.
Tel +47 69 35 90 00, fax +47 69 35 90 01.

Produkt

Vedeldad braskamin av emaljerat / lackerat gjutjärn och med brännjärn av gjutjärn i eldstaden.
Förbränningskammarens delar är utbytbara.

Avsedd användning

Eldstad för uppvärmning och trivseldning för anslutning till rökkanal
dimensionerad för rökgastemperatur max. 350°C

Godkännande

Produkten godkänns med avseende på följande avsnitt i Boverkets Byggregler (BBR):

Typgodkännande och tillverkningskontroll	1:4
Skydd mot uppkomst av brand. Allmänt	5:41
Eldstad	5:42
Förbränningsgaser (Miljögodkännande)	6:73

- För avsedd användning uppfyller produkten följande krav i 2§
Lag om tekniska egenskapskrav på byggnadsverk m.m. (BVL):
2. Säkerhet i händelse av brand.
 3. Skydd med hänsyn till hygien, hälsa och miljö.

Giltighetstid

Beslutsdatum 2001 02 12. Dnr 111/00. Typgodkännandet gäller t o m 2006 02 11.
Godkännandet förutsätter att innehavaren årligen rapporterar till Swedcert om utförd tillverkningskontroll.

Vid leverans till byggplats skall produkten åtföljas av tillverkarförsäkran enligt BFS 2000:27, TYP 2.

SWEDCERT AB

Eilert Westerberg

Bilaga 1	Tillhörande handlingar	2001 02 07
Bilaga 2	Produktmärkning	2001 02 07
Bilaga 3	Kontrollanvisningar	2001 02 07
Bilaga 4	Bedömningsunderlag	2001 02 07



SWEDCERT



Innehåll

Myndigheternas bestämmelser

Teknisk specifikation Jøtul F 400	27
Säkerhetsregler	27
Avstånd från produkten till vägg av brännbart material	28
Avstånd från produkten till brandvägg	28
Brandförebyggande åtgärder	28

Installation av Jøtul F 400

Underlag	28
Skorsten	28
Luftcirkulation	28
Montering före installation	28
Kontroll av funktioner	29
Montering av rökrör	29
Anslutning till skorsten	29

Bruksanvisning

Första gångs upptändning och dagligt användande	29
Vid första gångs upptändning	29
Dagligt användande	30

Underhåll

Rengörning av glas	30
Borttagning av aska	30
Sotning och sotborttagning inuti eldstaden	30
Sotning av anslutningsrör till skorsten	30
Kontroll av eldstaden	31
Utvändigt underhåll	31
Vedlängd, -mängd, och -kvalité	31
Vad är bra ved?	31
Servicearbeten	31
Byte av brännjärn	31
Byte av valv	31

Extrautrustning/tillbehör

Korta ben	31
Konvektionsplåt bak	31

Fig.	64-65
-----------	-------

Myndigheternas bestämmelser

Jøtul F 400 är en rentbrinnande produkt som har typgodkännande 0309.

Installation av en eldstad måste ske i enlighet med i Sverige gällande bestämmelser. Återförsäljaren kan hjälpa till med att ge råd och tips så att installationen blir säker och överensstämmande med gällande lagstiftning.

Monterings-, installations- och bruksanvisningar är bifogade produkten. Produkten får inte användas förrän installationen har godkänts av sotningsväsendet på orten. Monterings- och bruksanvisningen måste finnas tillgänglig under produktens hela livslängd.

Varning! Man måste se till att tillräcklig ventilation finns i det utrymme där produkten installeras. Otillräcklig lufttillförsel kan medföra att rökgaser tränger ut i rummet. Detta är mycket farligt! Symtom på detta kan vara trötthet och illamående.

Det är viktigt att försäkra sig om att skorstenen är rätt dimensionerad för eldstaden och att anslutningen är tät och fungerar på rätt sätt. Rökgaser som ryker in i ett rum kan förorsaka hälsorisk.

En skylt av värmebeständigt material finns placerad på skärmlåten på produktens baksida. Den innehåller uppgifter angående; tillverkare, adress, produktnamn, katalognummer, tillverkningsnummer, effekt och godkännandenummer.

Teknisk specifikation Jøtul F 400

Material:	Gjutjärn
Ytbehandling:	Svart lack och emalj
Bränsle:	Ved
Max. vedlängd:	50 cm
Dragsystem:	Luftspolning
Förbränningssystem:	Sekundärförbränning
Anslutning:	Topp/bak
Rökrör:	Ø 150 mm
Vikt ca.:	158 kg
Tillbehör:	Konvektionsplåt bak, korta ben (155 mm)
Produktmått:	Se fig. 1

Säkerhetsregler

Krav för golvplåt/ eldstadsplan: Om eldstaden placeras på golv av brännbart material, måste hela golvet under eldstaden samt minimum **300 mm** framför eldstaden och **100 mm** vid vardera sidan, täckas med en plåt av ej brännbart material. Det får inte finnas matta eller linoleum under golvplattan.

SVENSKA

Avstånd från produkten till vägg av brännbart material

Till bakre vägg (med konvektionsplåt monterad på produktens baksida):	Min. 100 mm
Till bakre vägg (utan konvektionsplåt):	Min. 500 mm
Till sidovägg:	Min. 400 mm

Avstånd från produkten till brandvägg:

Vid rakväggsmontage med konvektionsplåt monterad på produktens baksida:	Min. 40 mm
Utan konvektionsplåt:	Min. 100 mm (bak och sida)

OBS. Konvektionsplåt är tilläggsutrustning.

Jøtul F 400 är godkänd att ansluta till en rökkanal typgodkänd för min. 350° C.

OBS! Rökröret måste utrustas med strålningsskydd in mot vägg när avståndet från ytterkant rökrör till vägg av brännbart material är mindre än **300 mm**. (Strålningsskydd för rökrör kan beställas från Jøtuls återförsäljare).

Krav på brandmur: Brandmuren skall vara minst **100 mm** djup och vara gjord i tegelsten, betongsten eller lättbetong. Även andra typer av ej brännbart material och konstruktioner med tillfredsställande dokumentation kan användas.

OBS! Användande av natursten är ej att rekommendera. Konsultera sotare på orten innan beslut om brandvägg tas.

Montering av eldstad i en nisch: En fristående eldstad kan placeras i en nisch under förutsättning att denna är konstruerat som en fullvärdig brandvägg. Nischens minimimått måste tillåta **100 mm** fritt avstånd från produkten till bakvägg och sidor. Nischens höjd ska vara produktens maximala höjd + nischens djup. Fronten måste vara öppen.

Oisolerat rökrör: Om ett oisolerat rökrör går genom innertak eller vägg, måste tak-/vägggenomföringen utföras i ej brännbart material. Rökrörets yta får inte komma närmare brännbart material än min. **500 mm**.

Isolerade rökrör kan möjliggöra ett reducerat avstånd till brännbart material. Kontrollera i så fall dokumentationen från tillverkaren för det aktuella rökröret.

Brandförebyggande åtgärder

Allt användande av en eldstad kan innebära en viss fara. Beakta därför alltid följande anvisningar:

- Se till att möbler och annat brännbart material inte placeras för nära eldstaden. Det ska vara ett avstånd framför eldstaden på minimum **600 mm**.
- Låt alltid elden brinna ut. Försök aldrig att släcka med t.ex. vatten eftersom detta kan skada produkten.
- Eldstadens yta blir varm när den används; all beröring kan därför förorsaka brännskador.

- Aska måste placeras på ett försvarligt sätt utomhus, eller tömmas på en plats där brandfara ej kan uppstå.
- Till varje eldstad bör finnas en behållare av ej brännbart material till förvaring av eventuell aska, gärna försedd med lock.
- Aska bör förvaras i behållaren under en period på minimum 1 vecka för att säkerställa att inga glödämnen finns kvar i askan. Om behållaren ska tömmas innan 1 vecka måste vatten hällas i askbehållaren innan askan töms.
- Använd gärna askan till blomrabatterna – den är utmärkt till t.ex. rosor.

Installation av Jøtul F 400

Viktigt! Kontrollera att eldstaden är fri från alla eventuella transportskador innan installationen påbörjas.

Produkten är tung! Se till att hjälp finns att tillgå när den ska installeras!

Underlag

Om Jøtul F 400 ska placeras på ett träbjälklag, bör man kontrollera att golvet under eldstaden är tillräckligt dimensionerat för eldstadens vikt.

Skorsten

Eldstaden kan anslutas till skorsten murad i tegel, blockskorsten eller olika typer av prefabricerade stålskorstenar. Minimum skorstenstvärsnitt bör vara 177 cm². (Motsvarar Ø150 mm). Anslutning till skorsten måste göras i överensstämmande med den aktuella skorstensleverantörens monteringsanvisningar.

Luftcirkulation

Allt användande av en eldstad inomhus kräver fri tillförsel av tilluft till det utrymme där eldstaden placeras. Någon form av tilluftsanordning måste därför finnas till rummet. Hus som är utrustade med ventilationssystem som medför permanent undertryck kan göra eldstaden extra känslig, speciellt när man startar upp elden. Det kan, om husets ventilationssystem inte kan stängas av under upptändningsfasen, vara nödvändigt att t.ex. öppna ett fönster under en kort period för att på så sätt ge ett större flöde av tilluft till rummet under upptändningsfasen.

Montering före installation

Jøtul F 400 säljs i många land, som har olika krav till eldstäder. Detta medför att du som har köpt eldstaden i Europa, måste företa några små förändringar innan du installerar produkten.

På insidan dörrarna sitter det en inspektions-lucka som är festad med 2 st skruvar i ytterkant. Inspektions-luckan skruvas av och ersättes med en tillsvaranda del som ligger i askskoffs-lösningen. Denna är märkt **Europa**. Säkerhets-skruvan i mitten (**fig. 6**) skruvas av, och sättes på den nya inspektions-luckan som är märkt Europa.

- **Viktigt:** Topplattan ska ligga löst monterad på produkten.
- Askläppen, som ligger inuti brännkammaren, monteras på plats under luckan.
- I brännkammaren ligger även en skärmlåt som ska monteras under ytterhöljet till asklådan.
- Skärmlåten viks ut, (**fig. 2a**) och monteras med 2 skruv som är förmonterade under asklådans ytterhölje (**fig. 2b**).

Kontroll av funktioner (fig.3)

När produkten är uppmonterad, kontrollera alltid alla reglage. Dessa ska kunna betjänas utan motstånd och fungera tillfredsställande.

Dragventil (A):

Vänster position = stängd.
Höger position = helt öppen.

Dörrhandtag (B):

Mot vänster = öppna.
Mot höger = stänga.

Asklucka (C): Öppna dörren genom att vrida ett halvt varv motsols. Använd en handske e. l. och ta ut asklådan.

Viktigt! Ta enbart bort eventuell aska när eldstaden är helt kall.

Montering av rökrör

Eldstaden bör provmonteras innan håltagning i skorstenen. Eldstaden monteras med rökrör Ø150 mm. **Rökröret ska vara av godkänd kvalitet.**

Jøtul F 400 är från fabrik monterad för toppanslutning av rökröret. Önskas bakanslutning, lossas de två skruvarna på sidorna, och stosen roteras 180°. Fäst skruvarna noga.

- Rökrör Ø150 mm placeras med den smalare ändan av röret direkt in i produktens rökrörsanslutning. På båda sidor av rökrörsanslutningen finns det en skruv (**fig. 4-A**). Dessa ska användas till att fästa rökröret.
- Märk av på rökröret där skruvarna träffar när röret är helt i botten av rökuttaget, och borra ett hål på Ø5,5 mm i rökröret för skruven.
- Använd tätningsgarn till att täta mellan rökrör och produktens rökrörsanslutning. Placera tätningsgarnet runt nedre delen av rökröret och fyll eventuellt upp mellanrummet med pannkitt.
- Skruva fast rökröret.

Viktigt! Det är viktigt att fogen blir helt tät. Falskdrag kan förstöra eldstadens funktion och även skada skorstenen.

Anslutning till skorsten

Borra hål för rökröret. Använd alltid murstos vid anslutning till murad skorsten. Till prefabricerade skorstenar används den typ av stös/anslutning som rekommenderas av respektive tillverkare. Följ noggrant tillverkarens monterings- och bruksanvisning vid anslutning till skorsten avseende torktid av murbruk/pannkitt, innan eldstaden tas i bruk.

Se till att rökröret aldrig lutar in mot skorstenen. Det ska minimum vara vågrätt, allra helst ha någon millimeters stigning.

Viktigt! En korrekt och tät anslutning är helt avgörande för produktens funktion.

Observera att det är utomordentligt viktigt att anslutningar har en viss flexibilitet. Detta för att förhindra att sättningar i huset leder till sprickor i anslutningen.

Bruksanvisning

Första gångs upptändning och dagligt användande

Jøtul F 400 är en rentbrinnande produkt som genom extra tillförsel av förbränningsluft, möjliggör en effektiv sekundärförbränning av skadliga rökgaser. Det är viktigt att systemet används på rätt sätt.

Eldstaden är utrustad med reglage som finns närmare beskrivna under stycket: **Kontroll av funktioner**.

Vid drift måste kaminens reglage manövreras med tillhörande kallhandtag, då det annars finns risk för brännskador.

Vid första gångs upptändning

Öppna dragventilen under luckan helt genom att skjuta ventilen helt till höger (**fig. 3-A**). Lägg i lite papper, (ev. tändpapper) flis eller finhuggen ved, börja med en liten eld. Öka mängden efterhand och elda ordentligt under 1 – 2 timmar. Låt elden dö ut och upprepa tillvägagångssättet ytterligare en gång.

Viktigt! Luktbildning under första gångs eldning:

Lackerade produkter: Vid första gångs upptändning kan eldstaden avge en irriterande gas som kan lukta något. Detta är ej skadligt, men det bör vädras ordentligt i rummet till att börja med. Elda med helt öppen dragventil till dess att ånga från eldstadens yta inte längre avges och lukt försvinner.

Emaljerade produkter: De första gångerna en emaljerad eldstad används, kan kondensvatten bildas på ytan. Detta måste torkas bort för att undvika att det bildas varaktiga fläckar när ytan blir varm.

Dagligt användande

- Öppna dragventilen
- Lägg två halvstora vedklabbar ut/in på varje sida i eldstadsbotten. Lägg lite papper, ev. näver från björkved, alternativt tändpapper, mellan dessa och lägg finkluven ved ovanpå, lite på kors och tvärs. Öka storleken på vedklabbarna efterhand.
- Dragventilen (**fig. 3- A**) regleras när veden har hunnit tända ordentligt.
- Kontrollera att sekundärförbränningen kommer i gång. Detta syns bäst genom att gula sticklågor brinner vid valvets framkant.
- Därefter regleras förbränningen till önskad värmeavgivning med hjälp av dragventilen.
- Använd *alltid* kvalitetsved. Detta ger bästa resultat, och kommer inte att tillföra eldstaden några skador.

Elda aldrig med följande materialer:

- hushållssopor, mjölkkartonger, plastkassar o.d.
- målat eller impregnerat virke (som är mycket giftigt)
- spånskivor och laminerade byggskivor
- drivved

Detta kan skada eldstaden och är samtidigt starkt miljöförstörande.

Viktigt! Använd aldrig vätskor som bensin, paraffin, rödsprit e.d. till upptändning. Du kan skada både dig själv och eldstaden allvarligt.

Viktigt!

Varning för överhettning: Eldstaden får aldrig eldas så hårt att den överhettas! Med överhettning menas överdrivna vedmängder och/eller felaktig inställning av dragventilen.

Draget i skorstenen bör ej överstiga 2,5 mm vattenpelare (25 Pa). Ett säkert tecken på överhettning är att eldstaden får glödande punkter. Reducera då draginställningen omedelbart.

Observera! Varje ilägg bör få brinna ner innan ny ved efterfylls.

Underhåll

Rengörning av glas

Jøtul F 400 är utrustad med toppdrag (luftspolning). Med hjälp av dragventilen sugas luft in i överkant av eldstadens luckor och spolas sedan ned efter insidan av glaset. Detta systemet har fördelen att det ger bättre förbränning och reducerar samtidigt sotbildning på glaset.

Viss sotbeläggning kan ändå uppstå, men mängden beror på de lokala dragförhållanden samt inställning av dragreglaget. Eventuell sotbildning på glasluckorna kommer normalt att brinna bort vid öppning av dragventilen till maxläge och när det eldas lite hårdare i eldstaden.

Ett gott råd! Vid vanlig rengörning; fukta lite hushållspapper med varmt vatten och ta på lite aska från brännkammaren. Gnid över glaset och torka därefter av glaset med rent vatten och sedan med torrt papper. Vid behov upprepa behandlingen – detta brukar normalt vara tillräckligt och man kan på så sätt enkelt hålla glaset fullständigt rena från allt sot.

Borttagning av aska

Jøtul F 400 har en asklåda som underlättar vid askborttagning. Låt askan falla ner genom rostret i eldstadens botten till asklådan inunder. Använd en handske e.d., lyft ur asklådan och deponera askan utomhus.

All borttagning av aska måste ske när eldstaden är helt kall. Under eldning är det viktigt att luckan till asklådan är stängd – annars tillförs stora mängder falskluft till förbränningen och kan förorsaka överhettning inuti eldstaden.

Se vidare beskrivning av hur aska hanteras under:

Brandförebyggande åtgärder.

Sotning och sotborttagning inuti eldstaden

Vid all eldning kommer en viss mängd sot att bildas på insidan av eldstadens ytor. Sot har en förhållandevis god isolerande effekt, och reducerar eldstadens värmeavgivningsförmåga något.

En årlig rengöring invändigt är därför att rekommendera för att man alltid ska få maximalt utbyte av eldstaden. Rengör gärna produkten invändigt i samband med att sotning av anslutning och skorsten genomförs.

Sotning av anslutningsrör till skorsten

Sotning av anslutningsröret kan göras genom sotluckan i rökröret, alternativt genom att lyfta bort topplattan och sota genom eldstadens rökuttag.

Kontroll av eldstaden

Jøtul rekommenderar att ägaren själv kontrollerar eldstaden noga efter att sotning/rengöring har genomförts. Kontrollera att alla synliga ytor inte har några sprickbildningar. Se även till att alla fogar är täta samt att tätningslister ligger på plats. Tätningslister som är deformerade bör bytas ut.

Vid byte av tätningslister; rengör spåret väl, stryk på keramiskt lim (finns hos din Jøtul-återförsäljare) och tryck tätningslistan på plats i spåret. Torktiden är relativt kort.

Utvändigt underhåll

Lackerade produkter kan efter några års användande komma att ändra färg. Ytan bör putsas och borstas fri från lösa partiklar innan ny färg påföres.

Emaljerade produkter ska enbart torkas med en torr trasa. Använd ej tvål eller andra tvättmedel. Eventuella fläckar kan tas bort med t.ex. ugnsrens.

Vedlängd, -mängd, och -kvalité

Max. vedlängd är **50 cm**. Jøtul F 400 har med sin verkningsgrad en **nominell värmeavgivning på 7,0 kW**. Beräkningar visar att nominell värmeavgivning motsvarar en förbrukning på ca. 2,8 kg ved av god kvalité per timme.

Vad är bra ved?

Ved av god kvalité bör ha en fukthalt som ej överstiger 20-25%. För att uppnå detta, bör veden huggas minimum ett år innan man tänker använda den. Den klyvs och staplas på ett sådant sätt att den lätt kan lufttorka. Sedan täcker man den för att inte regnvatten ska kunna tränga in i veden i för stora mängder. Den ved man tänker använda under hösten/vintern bör tas in tidigt på hösten, och lagras vidare inomhus, alternativt på skyddad plats utomhus.

Med kvalitetsved avses det mesta av vanligt trävirke som björk, gran och furu.

Energimängd per kg ved kan vara något varierande. Samtidigt varierar egenvikten för olika träslag relativt mycket. Detta betyder att energimängden (kWh) i en viss mängd (volym) ved, t.ex. tall, är mindre än för den samma mängd (volym) utav ek, som har en högre egenvikt.

Energimängd i 1 kg ved av god kvalité är ca. 3,8 kWh. 1 kg absolut torr ved (0 % fuktighet) ger ca 5 kWh, medan ved med en fukthalt på 60%, enbart ger ca 1,5 kWh/kg.

Servicearbeten

Byte av brännjärn

- Eldstaden har löstagbara sidobrännjärn som är fastskruvade inuti brännkammaren. Det bakre brännjärnet står löst och hålls på plats av de två sidobrännjärnen.
- Vid brännjärnsbyten måste först valvet demonteras, därefter lossas sidobrännjärnens skruvar och brännjärnen kan lyftas bort.

Byte av valv

- Lyft bort topplocket.
- Valvet vilar ovanpå brännjärnen.
- Vid demontering måste brackettarna, som håller valvet ner mot brännjärnen, lossas. Använd en hammare och slå dessa försiktigt ut mot luckorna. Se **fig. 5**
- Lyft valvet upp och ut genom toppen.
- Vid inmontering, följ samma tillvägagångssätt fast i omvänd ordning.

Extrautrustning/tillbehör

Korta ben - höjd 155 mm

Svart lack	kat. nr. 350173
Blåsvart emalj	kat. nr. 350174
Grön emalj	kat. nr. 350328
Vit emalj	kat. nr. 350176

Konvektionsplåt-bak

Svart lackederad	kat. nr. 350694
aluzink lackerad	kat. nr. 350695

ENGLISH

Table of contents

Relationship to the authorities

Technical data of Jøtul F 400	33
General safety precautions	33
Measures to prevent fires	33

Installation of Jøtul F 400

Foundations	33
Chimney	33
Air circulation	33
Assembly prior to installation	34
Control of functions	34
Mounting of flue pipe	34
Connection to chimney	34

Operating instructions

Initial lighting and daily use	35
Initial lighting	35
Daily use	35

Maintenance

Cleaning the glass	35
Ash removal	35
Cleaning and soot removal	35
Sweeping of flue pipes to the chimney	36
Control of the stove	36
External maintenance	36
The length, quantity and quality of logs	36
Jøtul's definition of quality wood	36

Service

Replacing the burn plates	36
Replacing the baffle plate	36

Optional equipment

Short legs	36
------------------	----

Figures - drawings	64– 65
--------------------------	--------

Relationship to the authorities

Jøtul F 400 is a clean-burning product for solid fuel.

Installation of a fireplace must be according to local codes and regulations in each country. Always contact your local building inspector or the appropriate authority responsible for local codes and regulations in your district.

Your dealer has been specially selected for his knowledge of your local codes and may provide assistance in ensuring that your installation is safe and legal.

Instructions for mounting, installation and use are enclosed with the product. The installation may only be used when it has been inspected and a certificate of completion has been issued.

The product data plate is located on the bottom heat shield and is made of heat-resistant material. The following information is listed on the data plate: Manufacturer and address, model number, manufacturing number, rated heat output, registration number (after assignment), style, and safety measurements.

Pre-installation checks

Warning! Please ensure that there is adequate ventilation to the room in which the stove is to be installed. An air brick or wall vent with a minimum size of 9" x 3" (230 x 75mm) is needed to supply air to the fire.

Insufficient ventilation may cause oxygen depletion in the room. This can lead to drowsiness, nausea and sickness and is extremely dangerous.

It is important to ensure that the chimney or flue system to which the stove is to be connected is working properly. Combustion by-products which pervade enclosed spaces such as a room represent a serious health risk. The chimney and/or flue system **must** therefore be inspected and approved by a qualified professional prior to installation.

Special attention must be paid to the following:

The chimney or flue system must comply with the Building Regulations for heat producing appliances.

The minimum height of the chimney must be 12' (4m). This height should be measured from the hearth to the top of the flue. Any damper plates or flue restrictors must be removed and no restrictor plates should be fitted. Where it is impractical to remove dampers or restrictors, these **must** be secured in the open position.

The chimney or flue must be sound and clean. If it has been used with a wood, coal or other solid fuel fire, it **must** be swept before the stove is installed. Ensure that only one stove is served by the chimney or flue system.

Ensure that the chimney or flue is structurally sound. In particular, it must not be possible for products of combustion to come into contact with combustible materials in the structure of the building.

In some situations it may be advisable to fit a flue liner prior to the installation of the stove. Your installer will advise if this is necessary.

NOTE: A guide is published by the British Flue and Chimney Manufacturers' Association that contains general information on chimneys and flues.

If any of the pre-installation checks reveal inadequacies, do *not* proceed with the installation of the stove until all defects or deficiencies have been rectified.

Technical data of Jøtul F 400:

Material:	Cast iron
Finish:	Black paint and enamel
Fuel:	Wood
Log length, max.:	50 cm
Draught system:	Air wash system
Combustion system:	Secondary combustion
Flue outlet:	Top/back
Flue dimension:	150 mm dia.
Approx. weight:	158 kg
Optional extras:	Short legs
Product measures, distance measures unprotected wall.	See fig. 1

General safety precautions

Distance to wall made of flammable material and requirements for the floor plate:

Contact your local authority to inform you about the local codes and to ensure that your installation is safe and legal. See **fig. 1**.

Requirements for the floor plate: If the stove will be installed on a combustible floor, a robust, solid, non-combustible layer should cover the floor beneath the stove. This layer should cover an area of at least **300 mm** in front of the stove door, and at least **150 mm** either side of the opening. (See Building Regulations.) We recommend that you contact the local Jøtul dealer prior to installation.

Uninsulated flue pipe: If uninsulated flue pipes go through floors or walls, the opening must be made of brick or masonry, in such a way that the external surface of the pipe does not get closer to flammable materials than 300 mm. Isolated flue pipes may have a different distance, if necessary refer to fire technical product documentation for the flue pipe.

Measures to prevent fires

Any use of the fireplace may represent some danger. Therefore, respect the following instructions:

- Ensure that furniture and other flammable materials do not get too close to the fireplace. There ought to be a clear distance from the front of the fireplace of at least 600 mm.
- Let the fire die. Never put it out with water as this may damage the product.
- The fireplace gets warm when used and may cause burns if touched.
- Ash must be properly disposed of outdoors, or emptied where it does not entail a fire hazard. Refer to local regulations.
- Any stove should have a storage container made of non-flammable material as a standard accessory for the safe disposal of soot and ashes. Soot and ashes must be stored in this container for at least a week in order to be certain that the last ember has been extinguished. If the container needs to be emptied before this, add plenty of water to the container and stir.
- You may want to keep the ash. It is a first class fertilizer for roses and other plants.

Installation of Jøtul F 400

Note! Check that the stove is free of any damage prior to commencing installation.

The product is heavy! Make sure you have assistance when erecting and installing it.

Foundations

If Jøtul F 400 is to be installed on a wooden floor, ensure that the floor under the stove has the dimensions to carry it.

Chimney

The stove can be connected to a masonry chimney, a brick, pre-fabricated element or a steel chimney. **See separate section.** Minimum chimney cross section is recommended to be 177 cm². (Corresponding to 150 mm dia.). Connection to chimney must be done in accordance with the installation instructions from the supplier of the chimney.

Air circulation

Using a fireplace requires a plentiful supply of fresh air to the room where the product is installed. If the house is sealed, the room ought to be equipped with extra fresh air supply through vents. Avoid using mechanical fan vents in a room with a fireplace. This may cause negative pressure and draw poisonous gasses into the room. In order to avoid this, it is possible to bring in outside air directly to the stove by using an adapter (extra unit) that is mounted to the air

ENGLISH

inlet of the stove. From there a flexible hose is conducted out of the house. The installation instruction for this is enclosed with the installation unit.

Assembly prior to installation

Jøtul F 400 is sold in many countries with varying demands on fireplaces. This means that the buyer of the fireplace in Europe must make a few small changes before installing the product.

1. Just inside the door is an inspection cover fastened by 2 screws on the outer edge. The inspection cover is to be removed and replaced by a corresponding part stored in the ash box. It is marked: **Europa**. Remove the safety screw (fig.6) located in the centre and mount it on the new inspection cover marked Europa.
2. The top plate is fastened by means of 2 transport screws. These must be removed due to the regulation regarding free access for sweeping smoke pipes. This is done by first unscrewing the smoke outlet so that the 2 transport screws situated on the inside of the product between the side panels and the top plate are within reach.

NB! Be aware of that the top plate is laying loose on the top of the product, and shall not be fastened.

Insert the ash lip, which is stored inside the burn chamber, into the grooves under the door.

The burn chamber also contains a heat shield, which is to be mounted under the ash house. Unfold the heat shield (see fig. 2A) and fasten it with the two screws attached to the ash house (2B).

Screw the door handle knobs to the front door handle and the ash door handle. (Fig. 3 B+C and fig. 7)

Control of functions (fig. 3)

When the product is set up, *always* check the control functions. These shall move easily and function satisfactorily.

Draught vent (A)

Left position = closed.

Right position = fully open.

Doorhandle (B)

Towards the left= open.

Towards the right=closed.

Ash door (C)

Open the door by turning the door handle counter-clockwise one half rotation. Use a glove or similar and pull out the tray.

Note! Only remove the ashes when the stove is cold.

Mounting of flue pipe

It is advisable to carry out a test assembly prior to making a hole in the chimney. See fig. 1 for measures to wall made of inflammable materials. The stove is installed with a 150 mm diameter flue pipe. **This must be an approved thickness.**

Jøtul F 400 is factory-assembled for a top flue outlet. **If a rear flue outlet is preferred, loosen the two screws on the sides and rotate the connecting pipe 180°. Then fasten the screws securely.**

- The 150 mm diameter flue pipe is placed directly with the narrowest outer end onto the product flue outlet. There is a screw on each side of the product flue outlet (fig. 4-A). These will be used to fasten the flue pipe.
- Indicate with marks where the screws hit the flue pipe when the pipe is at the bottom of the flue outlet and drill a 5,5 mm hole in the flue pipe for the screw.
- Use a gasket rope to seal the space between the flue pipe and the product flue outlet.
- Fasten the flue pipe with the screws.

Note! It is important that the joints are completely sealed. Air leakage etc. may lead to malfunction.

Connection to chimney

Drill a hole for the flue pipe. Distance from stove to firewall/ chimney should be as shown in fig. 1. Always use a chimney collar when connecting to chimney. Use the supplier's recommended chimney collar when connecting to an element chimney. Follow the supplier's assembly and usage instructions closely with regard to mortar/furnace cement before starting to use the fireplace.

Ensure that the flue pipe never slopes down towards the chimney. It should at least be horizontal, preferably have an incline of a few millimeters.

Note! A correct and sealed connection is very important for the proper functioning of the product.

Be alert to the fact that it is particularly important that connections have a certain flexibility. This is to prevent setting of the house from leading to fissuration.

Operating instructions

Initial lighting and daily use

Jøtul F 400 is a clean-burning product and with additional supplies of combustion air, it allows for afterburning of hazardous gases and particles. It is important that the system is used correctly.

The stove is equipped with certain functions that are described in the chapter: **Control of functions**.

Initial lighting

Open the draught vent fully by pushing the vent all the way to the right (**fig. 3-A**). Put in some crumpled newspaper, kindling wood and firewood and start a small fire. Add more firewood gradually and let the fire burn briskly for a couple of hours. Let the fire die out and repeat one more time.

Note! Odors when using the stove for the first time.

Painted products. The stove may emit an irritating gas when used for the first time, and it may smell a little. The gas is not toxic, but it is recommended to open a window or a door to provide additional ventilation in the room. Let the fire burn with a high draught until all traces of gas have disappeared and no smoke or smells can be detected.

Enamelled products: Condensation may form on the surface of the stove the first few times it is used. This must be wiped off to prevent permanent stains forming when the surface heats up.

Daily use

Fire up with the aid of newspapers and some kindling wood. Place two medium sized logs in/out on each side of the base. Crumple some newspaper (or birch bark) between these and add some kindling wood in a criss-cross pattern on top and light the newspaper. Increase the size of the logs gradually.

Draught vent (fig. 3- A). Regulate when the wood is properly lit and burns well. Check that the afterburning (secondary combustion) starts. This is best indicated by yellow, flickering flames in the air chamber. Then regulate the rate of combustion to the desired level of heating by adjusting the draught vent.

Always use good quality firewood. It gives the best results and doesn't damage the product.

Never burn the following materials in the stove:

- household waste, plastic bags etc.
- painted or impregnated wood (highly toxic)
- chipboard or laminated boards
- driftwood

This may harm the product and pollute the atmosphere.

Note! Never use flammable liquids such as petrol, kerosene, red spirit or similar to start the fire. This may cause harm to both yourself and the product.

Note! Danger of overheating: The stove must never be used in a manner that causes overheating.

Overheating is defined as overfilling the stove with firewood and/or leaving the draught vent fully open.

The chimney draught should never exceed 2,5 mmVs (25 Pa).

A sure sign of overheating is when parts of the stove glows red. When this happens, reduce the draught vent opening immediately.

Warning! Each fire should burn down to embers before new firewood is added.

Maintenance

Cleaning the glass

Jøtul F 400 is equipped with an air wash system. Through the draught vent air is sucked in above the fireplace and washed down along the inside of the glass. This system has the advantage that it provides better combustion and reduces the buildup of soot deposits on the glass.

Still, some soot will always stick to the glass, but the quantity will depend on the local draught conditions and adjustment of the draught vent. Most of the soot layer will normally be burned off when the draught vent is opened all the way and a fire is burning briskly in the fireplace.

Good advice! For normal cleaning, moisten a paper towel with warm water and add some ash from the burn chamber. Rub it over the glass and then clean the glass with clean water. If it is necessary to clean the glass more thoroughly, a glass cleaner is recommended (follow the instructions for use on the bottle).

Ash removal

Jøtul F 400 has an ash pan which makes it easy to remove the ash. Scrape the ash through the grate in the base plate and into the ash pan. Use something like a glove to grab the handle on the ash pan and take away the ash. Make sure that the ash pan doesn't fill up so high that it keeps ash from coming through the grate into the pan.

Make sure the door to the ash pan is securely shut when the stove is in use.

Also see the description of how to handle ashes under: **Measures to prevent fires.**

Cleaning and soot removal

Soot deposits may build up on the internal surfaces of the stove during use. Soot is a good insulator and will therefore reduce the stove's heat output.

An annual internal cleaning is necessary to get the best heating effect from the product. It is a good idea to do this in connection with the sweeping of the chimney and flue pipes.

ENGLISH

Sweeping of flue pipes to the chimney

It is possible to sweep through the sweeping hatch in the flue pipe or to remove the top plate and sweep through the smoke outlet.

Control of the stove

Jøtul recommends that you personally control your stove carefully after sweeping/cleaning. Check all visible surface areas for cracks. Also check that all joints are sealed and that the gaskets are in the correct position. Any gaskets showing signs of wear or deformation must be replaced. Thoroughly clean the gasket grooves, apply ceramic glue (available from your local Jøtul dealer), and press the gasket well into place. The joint will dry quickly.

External maintenance

Painted products may change color after several years usage. The surface should be cleaned and brushed free of any loose particles before new **Jøtul stove paint** is applied.

Enamelled products must only be cleaned with a clean, dry cloth. Do not use water and soap. Any stains can be removed with a cleaning fluid (Oven cleaner etc.).

The length, quantity and quality of logs

The maximum length of logs to be used is 50 cm. Logs should be placed parallel to the back wall of the combustion chamber. Jøtul F 400 has a nominal capacity of **7,0 kW**. According to calculations the nominal heat output will consume **2,8 kg** quality-wood per hour.

Jøtul's definition of quality wood

Good quality wood should be dried so that the water content is approx. 20-25%.

To achieve this, the wood should be cut during late winter or early spring. It should then be cut and stacked to ensure proper airing. The stacks should be covered to prevent them from absorbing too much rainwater. The logs should be taken indoors in autumn for use during the winter season.

With good quality firewood we mean logs from trees, such as birch, beech and oak.

The amount of energy obtainable from 1 kg of wood varies very little. On the other hand, the specific weight of the different kinds of wood varies considerably. As an example, a certain volume of birch will provide less kWh than the same volume of oak, which has a higher specific weight.

The amount of energy in 1 kg quality wood is approx. 3,8 kWh. 1 kg of completely dry wood (0 % humidity) produces approximately 5 kWh, while wood with a humidity level of 60% produces only around 1,5 kWh/kg.

Service

Replacing the burn plates

- The fireplace has side burn plates, which are fastened with screws. The rear burn plate is not fastened and is kept in place by the side burn plates.
- When replacing remove the baffle plate first, then loosen the screws and remove the burn plates.

Replacing the baffle plate

- Lift off the top plate.
- The baffle plate rests on top of the burn plates.
- To remove the baffle plate, loosen the brackets that push it down against the burn plates. Use a hammer and beat them carefully out towards the door. See **fig. 5**
- Lift the baffle plate a little upwards and remove it edgewise out through the top.
- For re-installation follow the same procedure in the opposite sequence.

Optional equipment

Short legs - height 155 mm

Black paint -	cat. no. 350173
Blue-black enamel -	cat. no. 350174
Ocean green enamel -	cat. no. 350328
Ivory enamel -	cat. no. 350176

Table des matieres

Réglementations nationales

Fiche technique du modèle Jøtul F 400	37
Consignes générales de sécurité	38
Mesures de prévention des incendies	38

Installation du poêle Jøtul F 400

Soubassement	38
Cheminée	38
Circulation d'air	38
Montage avant l'installation	38
Pièces foyères	38
Montage du tuyau de raccordement	39
Raccordement à la cheminée	39

Consignes de fonctionnement

Mise en service et usage courant	39
Mise en service	39
Usage courant	39

Entretien

Nettoyage de la vitre	40
Retrait des cendres	40
Nettoyage et élimination de la suie	40
Nettoyage des tuyaux de raccordement menant à la cheminée	40
Contrôle de la chambre de combustion	40
Entretien extérieur	40
Longueur, quantité et qualité des bûches	41
Qualité du bois selon Jøtul	41

Revision

Remplacement des plaques de doublage	41
Remplacement du déflecteur	41

Accessoires optionnels

Pieds courtes	41
---------------------	----

Figures - dessins	64-65
-------------------------	-------

Réglementations nationales

Le poêle Jøtul F 400 est un appareil à combustion non polluante.

L'installation des poêles doit être effectuée conformément aux normes et réglementations nationales en vigueur. Nous vous recommandons de vous inspirer des règles du **DTU.24.2.2**. Votre revendeur ayant été spécialement sélectionné en fonction de ses connaissances de vos législations nationales, il est tout à fait à même de vous aider à adapter votre installation aux normes de sécurité et à la législation en vigueur dans votre pays.

La plaquette de caractéristiques du produit est située sur la plaque sous le cendrier.

Elle comporte les informations suivantes: Fabricant et adresse, numéro de modèle, numéro de fabrication, puissance calorifique nominale, classification complète, référence à la norme française.

Les consignes de montage, d'installation et d'utilisation sont livrées avec le produit. L'installation ne peut être entamée qu'une fois que l'appareil a été inspecté.

Attention! Assurez-vous que la pièce dans laquelle le poêle doit être installé est correctement ventilée.

Une ventilation insuffisante entraîne une baisse du taux d'oxygène dans la pièce et risque de ce fait de provoquer, chez les personnes présentes, un état de somnolence, des nausées ou des malaises.

Assurez-vous que les dimensions de la cheminée sont adaptées au poêle et que le système de fixation est étanche et en bon état de fonctionnement. La présence de fumée dans un espace clos nuit gravement à la santé.

Vous devez lire entièrement le présent manuel avant de commencer l'installation et le conserver pendant toute la durée de l'utilisation du poêle.

Fiche technique du modèle Jøtul F 400 :

Matériau :	Fonte
Traitement de surface :	Peinture noire mat et émail
Combustible :	Bois exclusivement
Longueur maximale des bûches :	50 cm
Entrées d'air :	Supérieure et inférieure
Système de combustion :	Double combustion
Sortie du tuyau de raccordement :	Par dessus et à l'arrière
Dimensions du tuyau de raccordement :	150 mm
Poids approximatif :	158 kg
Accessoires optionnels :	Jambes courtes
Dimensions du produit et distance par rapport à la paroi murale non protégée:	Voir Fig. 1.

FRANCAIS

Consignes générales de sécurité

Distance par rapport à un mur constitué de matériaux inflammables et exigences relatives à l'écran protecteur au sol :

Contactez l'autorité locale compétente pour vous renseigner sur les réglementations locales et vous assurer que votre installation est sûre et légale.

Toute la surface située sous le poêle, et **au moins** jusqu'à 30 cm devant, doit être recouverte par un écran protecteur composé d'un matériau ininflammable. (Voir les Réglementations en matière de construction.) Nous vous recommandons de consulter votre revendeur local Jøtul avant toute installation.

Mesures de prévention des incendies

L'utilisation des cheminées présente toujours certains risques. Veillez donc à observer les consignes de sécurité suivantes :

- Assurez-vous qu'aucun meuble ou matériau inflammable n'est situé trop près du foyer. La cheminée doit disposer devant elle d'une zone dégagée de **600 mm** au moins.
- Laissez le feu s'éteindre. Ne versez jamais d'eau dans votre poêle au risque de l'endommager.
- Lorsque le poêle est en service, il devient chaud et, de ce fait, risque de brûler quiconque le touche. Vous pouvez conserver les cendres. Elles constituent un engrais de très bonne qualité pour les roses et autres plantes.

Installation du poêle Jøtul F400

Remarque : Vérifiez que le poêle est en bon état avant de commencer l'installation.

L'appareil est lourd. Veillez à vous procurer toute l'aide nécessaire avant de le monter et de l'installer.

Soubassement

Si votre poêle Jøtul F 400 doit être installé sur un parquet, assurez-vous que celui-ci est suffisamment solide et résistant pour en supporter le poids.

Cheminée

Le poêle peut être raccordé à une cheminée de briques, à une cheminée à éléments préfabriqués ou à une cheminée d'acier. **Voir le chapitre correspondant.** La cheminée doit présenter une section transversale minimale de 177 cm² (soit un diamètre de 150 mm). Le raccordement à la cheminée doit être effectué conformément aux consignes d'installation du fournisseur de la cheminée.

Circulation d'air

L'utilisation d'une cheminée dans une pièce suppose que celle-ci soit correctement ventilée. Si le logement d'habitation est parfaitement isolé, la pièce doit être équipée d'un dispositif supplémentaire de ventilation (bouches d'aération). Évitez d'employer des ventilateurs dans une pièce comportant une cheminée. Une telle installation génère une forte pression et dissémine les gaz toxiques dans la pièce.

Montage avant l'installation

Jøtul F 400 est vendu dans de nombreux pays ayant des exigences diverses en matière de poêles. Cela signifie que la personne qui achète le poêle en Europe doit procéder à quelques modifications mineures avant de l'installer.

1. A l'entrée de la chambre de combustion se trouve un couvercle d'inspection fixé à la paroi extérieure par 2 vis. Retirez la vis de sûreté (fig. 6) située au centre et fixez-la sur le nouveau couvercle d'inspection sur lequel il est marqué Europe. Attention ! La rondelle doit être placée à l'extérieur.
2. Le couvercle est fixé au moyen de 2 vis de transport. Celles-ci doivent être retirées en vertu de la réglementation sur le libre accès pour le ramonage des conduits de fumée. Pour ce faire, dévissez d'abord la buse de manière à atteindre les 2 vis de transport situées à l'intérieur du poêle entre les panneaux latéraux et le couvercle.

Veillez noter que la plaque supérieure ne doit pas être attachée au produit mais reposer sur celui-ci.

L'appareil est livré dans un seul emballage.

Insérez le verseur du cendrier, situé dans la chambre de combustion, dans les rainures sous la porte.

La chambre de combustion contient également un écran thermique qui doit être monté sous le cendrier. Déballez l'écran thermique (voir fig. 2a) et fixez-le à l'aide des deux vis attachées au cendrier (2b).

Vissez le bouton de la poignée de la porte sur la poignée située à l'avant. (Fig. 3B + C et Fig. 7).

Pièces foyères (fig. 3)

Une fois l'appareil en place, vérifiez l'ensemble des pièces foyères. Ces pièces doivent pouvoir s'extraire facilement et fonctionner correctement.

Commande d'entrée d'air (A)

Position gauche = fermé

Position droite = ouvert à fond

Poignée de porte (B)

Vers la gauche = ouverte

Vers la droite = fermée

Cendrier (C)

Ouvrez la porte en tournant la poignée dans le sens contraire des aiguilles d'une montre sur un demi-tour. Utilisez un gant ou autre pour extraire le tiroir à cendres.

Attention ! Enlevez les cendres uniquement lorsque le poêle est froid.

Montage du tuyau de raccordement

Il est conseillé de procéder à des essais de montage avant de pratiquer un orifice dans la cheminée. Reportez-vous à la **fig. 1** pour connaître les dimensions requises en cas d'installation contre un mur constitué de matériaux inflammables. Le poêle est muni d'une buse de raccordement pour tuyau de Ø 150 mm. **Votre distributeur Jøtul vous a fourni un adaptateur en tôle.**

Le Jøtul F 400 est assemblé en usine pour une sortie par-dessus. **Dans le cas d'une sortie par l'arrière, dévissez les deux vis sur les côtés, faites pivoter la buse à 180°, puis remettez les vis.**

- Une vis est située de part et d'autre de la buse afin de fixer l'adaptateur (**fig. 4-A**).
- Faites une marque à l'endroit où les vis viennent se loger, au bas de l'adaptateur, lorsque celui-ci est introduit dans la buse et percez-y deux trous de 5,5 mm.
- Utilisez le joint corde fournis avec l'appareil pour assurer l'étanchéité entre l'adaptateur et la buse.
- Fixez l'adaptateur à l'aide des vis.

Remarque : Les joints doivent être parfaitement étanches. Toute fuite d'air risque d'entraver le bon fonctionnement du poêle.

Raccordement à la cheminée

Percez un trou adapté au tuyau de raccordement. La distance entre le poêle et la paroi ignifuge/cheminée doit être conforme à celle indiquée à la fig.1. Pour les cheminées à éléments, utilisez le tuyau de cheminée recommandé par votre fournisseur. Avant d'utiliser le poêle, respectez rigoureusement les consignes d'assemblage et d'utilisation du ciment réfractaire

Le tuyau de raccordement ne doit jamais être dirigé vers le bas. Il doit être installé au moins à l'horizontale et, de préférence, avec une inclinaison de quelques millimètres vers le haut.

Attention ! Pour le bon fonctionnement de l'appareil, le dispositif de raccordement doit être correctement installé et étanche.

Il doit toutefois présenter une certaine flexibilité. Cet équilibre est destiné à prévenir l'apparition de fissures dans les fondations du logement d'habitation.

Consignes de fonctionnement**Mise en service et usage courant**

Le poêle Jøtul F 400 est un appareil à combustion non polluante doté d'une combustion secondaire permettant la postcombustion des gaz et particules toxiques. Il est donc important que ce système soit utilisé correctement.

Le poêle est doté de certaines fonctions qui sont décrites dans ce chapitre : **Pièces foyères**

Mise en service

Ouvrez la commande d'entrée d'air en la poussant complètement à droite (**fig. 3-A**). Placez un peu de papier froissé, du petit bois et quelques bûches dans le foyer, puis allumez le feu. Ajoutez progressivement d'autres bûches et laissez brûler à feu vif pendant quelques heures. Laissez le feu s'éteindre et répétez l'opération une seconde fois.

Remarque : Des odeurs peuvent se répandre lors de la première utilisation.

Appareils peints : Lors de sa première utilisation, le poêle risque d'émettre un gaz irritant et de répandre des odeurs. Bien que ce gaz ne soit pas toxique, il est recommandé d'ouvrir une fenêtre ou une porte afin d'aérer la pièce. Laissez le feu brûler à grand tirage jusqu'à la disparition complète des gaz et des odeurs.

Appareils émaillés : Une certaine condensation peut se former à la surface du poêle lors de ses premières utilisations. Nettoyez régulièrement ces traces de condensation afin d'éviter la formation de taches permanentes lorsque la surface est chaude. **PRECAUTION !** Lors de la première chauffe, laissez toutes les portes ouvertes et essuyez la fonte là où vient s'appuyer le joint. Cela évitera qu'il soit collé contre l'appareil.

Usage courant

Utilisez de vieux journaux et du petit bois pour allumer vos feux. Placez deux bûches de taille moyenne de chaque côté du socle. Placez du papier froissé (ou des écorces de bouleau) entre ces bûches et ajoutez un peu de petit bois en vrac par-dessus, puis allumez le feu. Ajoutez progressivement d'autres bûches.

Commande d'entrée d'air(fig.3-A). Réglez la combustion lorsque le bois est bien allumé et brûle correctement. Vérifiez que la postcombustion (deuxième combustion) se produit. Cette combustion se caractérise par la présence de flammes jaunes et dansantes sous le déflecteur. Adaptez ensuite la combustion au niveau de chauffage souhaité en réglant l'entrée de l'air.

Utilisez toujours du bois de bonne qualité. Il permet d'obtenir un meilleur rendement et n'endommage pas votre appareil.

FRANCAIS

Ne faites jamais brûler les matériaux suivants dans votre poêle :

- déchets ménagers, sacs plastique, etc.
- bois peint ou imprégné (fortement toxique)
- plaques d'aggloméré ou de contre plaqué-bois de récupération

Ces matériaux risquent d'endommager l'appareil et de polluer l'atmosphère.

Attention ! N'employez aucune substance inflammable (essence, kérosène ou autre alcool) pour allumer un feu. Vous risquez de vous brûler et d'endommager l'appareil.

Attention ! Danger de surchauffe : Le poêle ne doit jamais être utilisé en régime de surchauffe.

Le poêle risque une surchauffe si vous y insérez une quantité excessive de bois et/ou si vous laissez l'entrée d'air entièrement ouverte.

Le tirage de la cheminée ne doit jamais excéder 2,5 mmVs (25 Pa). Les surchauffes s'annoncent par le rougeoiement de certaines parties du poêle. Si vous constatez le moindre rougeoiement, fermez aussitôt l'entrée d'air.

Attention ! Laissez chaque bûche se consumer totalement avant d'en ajouter d'autres.

Entretien

Nettoyage de la vitre

L'air de combustion, aspiré par le haut de la façade du poêle, est conduit vers la porte et circule le long de la vitre, à l'intérieur, réduisant et ralentissant l'encrassement de la vitre.

Toutefois, on ne peut empêcher une certaine quantité de suie de se déposer sur la vitre ; cette quantité est fonction des conditions de tirage et du réglage de l'entrée d'air. Une bonne partie de cette suie s'élimine en brûlant, lorsque le feu est très vif. Faites quelques minutes de feu très vif à chaque rechargement en bois de votre Jøtul.

Un bon conseil : Pour les opérations courantes de nettoyage, humidifiez un essuie-tout à l'eau chaude et imprégnez-le de quelques cendres prélevées dans la chambre de combustion. Frottez la vitre avec ce papier, puis rincez à l'eau propre. Pour un nettoyage plus complet, nous vous recommandons d'utiliser un produit pour vitres (respectez les consignes d'utilisation indiquées sur la bouteille).

Retrait des cendres

Le poêle Jøtul F 400 est équipé d'un cendrier qui facilite l'élimination des cendres. Nous vous recommandons de toujours laisser deux à trois centimètres de cendres au fond de votre appareil. La cendre va protéger le fond, conserver les braises et favoriser le redémarrage du feu au rechargement en bois après quelques heures de peu ralenti. **Assurez-vous que la porte du cendrier est**

correctement fermée lors de l'utilisation du poêle.

Voir aussi la manière de manipuler les cendres dans la section "Mesures de prévention des incendies".

Nettoyage et élimination de la suie

A l'usage, des dépôts de suie risquent de se former sur les surfaces internes du poêle. La suie étant un isolant efficace, elle amoindrit les capacités calorifiques de votre poêle.

Il est également indispensable de nettoyer chaque année l'intérieur de l'appareil afin d'en optimiser le rendement. Il peut être judicieux de procéder à ce nettoyage annuel lors du ramonage de la cheminée et des de raccordement.

Nettoyage des tuyaux de raccordement menant à la cheminée

Vous pouvez balayer à travers la trappe dans le conduit d'évacuation des fumées, ou enlever la plaque supérieure et balayer par la sortie des fumées.

Contrôle de la chambre de combustion

Jøtul vous recommande d'effectuer vous-même un contrôle du poêle après l'avoir essuyé/nettoyé. Vérifiez l'absence de fissures sur les surfaces visibles. Vérifiez également l'étanchéité et le positionnement des joints. Tout joint visiblement usé ou endommagé doit être remplacé.

Nettoyez soigneusement les rainures des joints, appliquez de la colle haute température (disponible chez votre revendeur local Jøtul) et remettez les joints en place sans les étirer en veillant à les fixer fermement. La colle séchera rapidement.

Entretien extérieur

Les appareils peints peuvent changer de couleur après plusieurs années d'utilisation. Brossez et essuyez la surface afin d'éliminer toutes les particules avant d'appliquer une nouvelle couche de **peinture Jøtul**.

Les appareils émaillés doivent être essuyés à l'aide d'un chiffon uniquement. Ne pas utiliser d'eau ni de savon. Toute tache peut être éliminée à l'aide de nettoyeurs liquides (nettoyant pour four, etc.).

Longueur, quantité et qualité des bûches

La longueur maximale des bûches doit être de 50 cm. Les bûches doivent être placées parallèlement à la paroi du fond de la chambre de combustion. L'appareil Jøtul F 400 possède une capacité nominale de **7,0 kWh**. Selon nos calculs, la capacité nominale s'obtient en brûlant **2,8** de bois de qualité par heure.

Qualité du bois selon Jøtul

Le bois de bonne qualité doit être séché de manière à ne retenir qu'une humidité inférieure à 20%. Votre distributeur Jøtul peut mesurer l'humidité du bois que vous utilisez.

Pour cela, le bois doit être coupé de l'automne à la fin de l'hiver, puis séché à l'air libre. Les bûches doivent être disposées de manière à faciliter la circulation de l'air et recouvertes pour les protéger de la pluie. Ce séchage à l'air libre doit durer au minimum 24 mois après la coupe. Pour le chêne et la châtaigner, un lavage préalable à la pluie de un est à prévoir. Au début de l'automne, les bûches doivent être rentrées à l'abri et empilées en vue d'un usage pour l'hiver prochain. Nous considérons que les bois suivants sont de bonne qualité : le charme, le chêne, le frêne, l'érable, le bouleau etc.

La masse énergétique d'un kilogramme de bois varie peu d'un type de bois à l'autre. En revanche, leur masse volumique est très variable. Par exemple, un certain volume de bouleau produira un nombre de kWh inférieur à celui du même volume de chêne, lequel possède une masse volumique plus importante.

La masse énergétique d'un kilogramme de bois de bonne qualité est d'environ 3,8 kWh. 1 kg de bois complètement sec (0 % d'humidité) produit environ 5 kWh, alors que du bois dont le niveau d'humidité est de 60 % produit seulement environ 1,5 kWh/kg.

Revision

Remplacement des plaques de doublage

- Le poêle est équipé de plaques de doublage latérales fixées à l'aide de vis. La plaque de doublage arrière n'est pas fixée. Elle est maintenue en place par les plaques de doublage latérales.
- Lors de l'opération de remplacement, commencez par retirer le déflecteur, puis dévissez les vis et enlevez les plaques de doublage.

Remplacement du déflecteur

- Enlevez la plaque supérieure.
- Le déflecteur repose sur la partie supérieure des plaques de doublage.
- Pour enlever le déflecteur, dévissez les équerres qui le maintiennent contre les plaques de doublage. Utilisez un marteau et frappez doucement sur les équerres pour les enlever par la porte. **Voir Fig. 5.**
- Soulevez légèrement le déflecteur vers le haut et inclinez-le pour le faire sortir par la partie supérieure.
- Pour la réinstallation, répétez cette procédure dans l'ordre inverse.

Accessoires optionnels

Pieds courtes - 155 mm

Peinture noire mat -	n° de catalogue 350173
Émail bleu noir -	n° de catalogue 350174
Émail vert océan -	n° de catalogue 350328
Émail ivoire -	n° de catalogue 350176

Índice de contenido

Relación con las autoridades de distintos países

Información técnica de la estufa Jøtul F 400	43
Medidas para prevención de incendios	43

Instalación de Jøtul F 400

Cimientos	43
Chimenea	43
Circulación de aire	43
Montaje previo a la instalación	44
Control de funciones	44
Instalación del conducto de humos	44
Conexión a la chimenea	44

Instrucciones de funcionamiento

Encendido inicial y uso diario	45
Encendido inicial	45
Uso diario	45

Mantenimiento

Limpieza del cristal	45
Eliminación de la ceniza	45
Limpieza y eliminación del hollín	46
Deshollinar los tubos de humos a la chimenea	46
Control de la estufa	46
Mantenimiento externo	46
Longitud, cantidad y calidad de los troncos	46
Definición de madera de buena calidad de Jøtul	46

Conservación

Sustitución de los quemadores	46
Sustitución de la placa deflectora	47

Equipo opcional

Patas cortas	47
--------------------	----

Figuras - dibujos	64– 65
-------------------------	--------

Relación con las autoridades de distintos países

Jøtul F 400 es un producto que no deja residuos de combustión para combustibles sólidos.

La instalación de una chimenea debe ajustarse a las leyes y regulaciones de cada país. Póngase siempre en contacto con el inspector de construcción local o con la autoridad pertinente responsable de los reglamentos y las ordenanzas locales en su zona.

Su proveedor ha sido seleccionado especialmente por su conocimiento de las regulaciones locales y puede proporcionar la asistencia necesaria para garantizar la seguridad y legalidad de su instalación.

La placa de características del producto encuentra en la protección térmica debajo del compartimento de cenizas, y está fabricada con material resistente al calor. En esta placa figura la siguiente información: Fabricante y dirección, número de modelo, número de fabricación, producción térmica estimada, número de registro (después de haberla asignado), estilo y medidas de seguridad.

Las instrucciones de montaje, instalación y del usuario se incluyen con el producto. La instalación sólo puede utilizarse una vez realizada su inspección y otorgado un certificado de finalización.

Comprobaciones previas a la instalación

¡Advertencia! es necesario cerciorarse de que exista la ventilación adecuada en la habitación en la que va a instalarse la estufa. Necesitará un ladrillo de ventilación o un respiradero de pared con un tamaño mínimo de 230 x 75 mm (9 x 3") para suministrar aire a la estufa.

Una ventilación insuficiente puede hacer que se consuma totalmente el oxígeno de la habitación. Esta situación, que es sumamente peligrosa, puede causar pérdida de la consciencia, náuseas y mareos.

Es importante cerciorarse de que la chimenea o el sistema de salida de humos al que se va a conectar la estufa funcione debidamente. Los productos derivados de la combustión que invaden los espacios cerrados, como una habitación, representan un grave riesgo para la salud. Por consiguiente, la chimenea y el sistema de salida de humos deben someterse a la inspección y aprobación de un profesional cualificado antes de realizar la instalación.

Se debe prestar una atención especial a lo siguiente:

La chimenea o el conducto de humos deben ser sólidos y estar limpios. Si se ha utilizado madera, carbón o cualquier otro combustible sólido, **deben** deshollinarse antes de instalar la chimenea.

Es necesario asegurarse de que la chimenea o el sistema de salida de humos tan sólo se utilizan con una estufa.

Asegúrese de que la chimenea o el conducto de humos tienen una estructura sólida. En particular, no debe permitirse que los productos de combustión entren en contacto con los materiales combustibles de la estructura del edificio.

En algunas situaciones puede ser aconsejable montar un revestimiento protector para el conducto de humos antes de instalar la chimenea. Su instalador le aconsejará si esto es necesario.

Si cualquiera de las comprobaciones previas a la instalación revelara algún aspecto inadecuado, no continúe con la instalación de la estufa hasta que se hayan rectificado todos los defectos o deficiencias.

Información técnica de la estufa Jøtul F 400:

Material:	Hierro fundido
Acabado:	Pintura negra/Esmalte
Combustible:	Madera
Longitud máxima de los troncos:	50 cm
Sistema de tiro:	Tiro superior e inferior
Sistema de combustión:	Combustión secundaria
Salida de humos:	Superior/posterior
Dimensión del tubo de humos:	150 mm de diámetro
Peso aprox.:	158 kg
Suplementos opcionales:	Patatas cortas
Medidas del producto, medidas de la distancia muro desprotegido:	Vea la fig. 1.

Medidas de seguridad generales

Distancia desde el producto al muro de material inflamable y requisitos para la plancha del suelo:

Póngase en contacto con las autoridades locales para obtener información sobre las normativas locales y asegurarse de que la instalación es segura y legal.

Todo el suelo situado debajo de la estufa y **al menos** 30 cm en la parte frontal, deberá ser de un material no inflamable. (Vea Regulaciones de construcción). Le aconsejamos que se ponga en contacto con el distribuidor local de Jøtul antes de realizar la instalación.

Tubo de humos sin aislamiento: Si los tubos de humos sin aislamiento atraviesan suelos o paredes, la abertura debe ser de ladrillo o albañilería, de forma que la superficie exterior del tubo no se acerque a menos de 230 mm de los materiales inflamables. Los tubos de humos aislados pueden quedar a otra distancia, si es necesario consulte el tubo de humos correcto en la documentación técnica de seguridad contra incendios del producto.

Medidas para prevención de incendios

Cada vez que utilice la chimenea puede existir cierto peligro.

Por lo tanto, debe respetar las instrucciones siguientes:

- Asegúrese de que el mobiliario y otros materiales inflamables no estén demasiado próximos a la chimenea. Debe haber una distancia despejada mínima de 600 mm desde la parte frontal de la chimenea.
- Deje que el fuego se consuma. Nunca lo apague con agua porque podría dañar el producto.
- La chimenea se calienta durante su uso y puede causar quemaduras si se toca.
- La ceniza debe eliminarse adecuadamente al aire libre o vaciarse en un lugar que no represente un peligro de incendio. Consulte las regulaciones locales.
- Todas las estufas deben tener un depósito de almacenamiento fabricado con material no inflamable como accesorio estándar para la eliminación segura del hollín y las cenizas. Éstos deben guardarse en el depósito durante al menos una semana para que se extingan los últimos rescoldos. Si tiene que vaciar el depósito antes de este tiempo, deberá llenarlo de agua y agitarlo.
- Puede que quiera guardar la ceniza porque es un excelente fertilizante para las rosas y otras plantas.

Instalación de Jøtul F 400

Nota: compruebe que la estufa no presenta daños antes de comenzar la instalación.

El producto pesa mucho, por lo que necesitará ayuda para levantarlo e instalarlo.

Cimientos

Si Jøtul F 400 se va a instalar sobre un suelo de madera, asegúrese de que el suelo que soporta la estufa tiene las dimensiones suficientes para ello.

Chimenea

La estufa puede conectarse a una chimenea de mampostería, elemental prefabricada de ladrillo o de acero.

Vea la sección correspondiente. La sección transversal de la chimenea debe ser al menos de 177 cm² (equivalente a 150 mm de diámetro). La conexión a la chimenea debe realizarse de acuerdo con las instrucciones de instalación del proveedor de la chimenea.

Circulación de aire

El uso de una chimenea requiere un abundante suministro de aire puro a la habitación donde se ha instalado el producto. Si la casa está cerrada herméticamente, la habitación debe equiparse con un suministro adicional de aire puro a través de respiraderos. Evite el uso de

ventiladores en las habitaciones donde haya chimeneas porque podrían causar una presión negativa y aspirar gases venenosos dentro de la habitación. Para evitarlo, es posible introducir directamente aire del exterior a la estufa mediante un adaptador (elemento opcional) que se monta en la entrada de aire de la estufa. Desde allí se dirige un tubo flexible al exterior de la vivienda. Las instrucciones de instalación se incluyen con la unidad de instalación.

Montaje previo a la instalación

La Jøtul F 400 se comercializa en países que tienen distintas normativas y exigencias en lo relativo a las chimeneas. Esto significa que el comprador de la chimenea en Europa debe efectuar unos pequeños cambios antes de instalar el producto.

1. Justo dentro de la puerta hay una cubierta de inspección asegurada con 2 tornillos en el borde externo. Hay que quitarla y sustituirla por la pieza correspondiente que está guardada en la bandeja para ceniza. Retire el tornillo de seguridad (**fig. 6**) situado en el centro y móntelo en la nueva cubierta de inspección marcada con la palabra Europa. Nota: la arandela debe estar en el exterior.
2. La placa superior está asegurada con 2 tornillos de transporte. Hay que retirarlos en cumplimiento de la normativa relativa al acceso libre para deshollinar los tubos de humos. Para hacerlo, desenrosque primero la salida de humos para acceder a los 2 tornillos de transporte situados en el interior del producto, entre los paneles laterales y la placa superior.

Tenga en cuenta que la placa superior debe apoyarse sobre el producto, no fijarse a él.

El producto se entrega en un solo embalaje.

Introduzca el cenicero, que se guarda dentro de la cámara de combustión, en las ranuras situadas debajo de la puerta. La cámara de combustión contiene también una protección térmica que se monta debajo del compartimento de cenizas. Despliegue la protección térmica (vea la **figura 2a**) y fíjela al compartimento de cenizas con los dos tornillos que se adjuntan (**2b**).

Enrosque los pomos en el tirador de la puerta frontal y en la puerta de recogida de ceniza. (**Fig. 3 B+C y fig. 7**).

Control de funciones (fig. 3)

Cuando el producto esté instalado, compruebe *siempre* las funciones de control, que deberán moverse con facilidad y funcionar correctamente.

Respiradero de tiro (A) Posición izquierda = cerrado. Posición derecha = totalmente abiertos.

Tirador de la puerta (B) = a la izquierda = abierta, a la derecha = cerrada.

Puerta de recogida de ceniza (C) Abrir la puerta haciendo girar el tirador media vuelta en sentido contrario a las agujas del reloj. Utilice un guante o un trapo para extraer la bandeja.

Nota: Retire las cenizas sólo cuando se haya enfriado la estufa.

Instalación del conducto de humos

Es aconsejable realizar un montaje de prueba antes de practicar un orificio en la chimenea. Vea en la **figura 1** las medidas de la distancia a la pared de material inflamable. La estufa se instala con un conducto de humos de 150 mm de diámetro, que debe tener un grosor aprobado.

Jøtul F 400 viene montada de fábrica para una salida de humos superior. Si prefiere una salida de humos posterior, afloje los dos tornillos de los laterales y gire el tubo de conexión 180°. Seguidamente, asegure bien los tornillos.

- El conducto de humos de 150 mm de diámetro se coloca directamente sobre la salida de humos del producto. Hay un tornillo a cada lado de la salida de humos del producto (**fig. 4-A**), que se utilizan para asegurar el tubo del conducto de humos.
- Indique con marcas la posición donde los tornillos entran en contacto con el tubo del conducto de humos cuando se encuentra en la posición más baja de la salida de humos y taladre un orificio de 5,5 mm para el tornillo en el tubo del conducto de humos.
- Utilice un cordón de junta el espacio entre el tubo del conducto de humos y la salida de humos del producto.
- Asegure el tubo del conducto de humos con los tornillos.

Nota: es importante que las uniones estén bien selladas. Las fugas de aire, por ejemplo, pueden ser causa de un funcionamiento defectuoso.

Conexión a la chimenea

Taladre un orificio para el tubo de humos. La distancia desde la estufa al muro cortafuegos/chimenea debe ser la indicada en la fig. 1. Utilice siempre un collar de chimenea cuando acople la estufa a la chimenea. Use el collar de chimenea recomendado por el proveedor cuando conecte la estufa a una chimenea elemental. Siga atentamente las instrucciones de uso y de montaje del proveedor con respecto al mortero o el cemento de horno antes de utilizar la chimenea.

Asegúrese de que el tubo de humos nunca se inclina hacia la chimenea. Al menos debería estar horizontal, preferiblemente tener una inclinación de unos pocos milímetros.

Nota: una conexión correcta y hermética es muy importante para el funcionamiento adecuado del producto.

Observe que es especialmente importante que las conexiones tengan cierta flexibilidad para evitar que la sedimentación de la casa provoque la formación de grietas.

Instrucciones de funcionamiento

Encendido inicial y uso diario

Jøtul F 400 es un producto que no deja residuos de combustión y que, con la ayuda del suministro adicional de aire de combustión, permite la combustión retardada de los gases y partículas peligrosas. Es muy importante utilizar correctamente el sistema.

La estufa está equipada con determinadas funciones que se describen en el capítulo: **Control de funciones**.

Encendido inicial

Abra totalmente el respiradero de tiro empujando el respiradero completamente a la derecha (**fig. 3-A**). Coloque papel de periódico arrugado, astillas de madera y leña, y encienda un fuego pequeño. Vaya añadiendo leña de forma gradual y deje que arda un fuego vivo durante varias horas. Deje que se extinga el fuego y repita el procedimiento otra vez.

Nota: Olores cuando se utiliza la estufa por primera vez.

Productos pintados: la primera vez que se enciende la estufa, puede emitir un gas irritante y oler ligeramente. El gas no es tóxico, pero se aconseja abrir una ventana o una puerta para que la habitación esté más ventilada. Deje arder el fuego con un tiro alto hasta que todos los rastros de gas hayan desaparecido y no se detecten humo ni olores.

Productos esmaltados: las primeras veces que se utiliza la estufa, es posible que se forme condensación de agua sobre la superficie. Ésta debe secarse para evitar que se formen manchas permanentes cuando se caliente la superficie.

Uso diario

Encienda el fuego con la ayuda de papel de periódico y astillas para encender fuego. Coloque dos troncos medianos a cada lado de la base. Coloque entre ellos papel de periódico arrugado (o corteza de abedul) y añada algunas astillas entrecruzadas encima y prenda fuego al papel de periódico. Aumente el tamaño de los troncos de forma gradual.

Respiradero de tiro (fig. 3-A.) Regule el tiro cuando la leña haya prendido correctamente y arda bien. Compruebe que se inicia la combustión retardada (combustión secundaria), indicada por la aparición de llamas amarillas oscilantes en la cámara de aire. Seguidamente, regule la velocidad de combustión en el nivel que desee ajustando el respiradero de tiro.

Utilice *siempre* leña de buena calidad. Proporciona los mejores resultados y no daña el producto.

Nunca queme los materiales siguientes en la estufa:

- productos de desecho domésticos, bolsas de plástico, etc.
- madera pintada o impregnada (muy tóxica)
- madera aglomerada o contrachapada
- madera de deriva

Éstos pueden dañar el producto y contaminar la atmósfera.

Nota: nunca utilice líquidos inflamables como gasolina, queroseno, alcoholes fuertes, etc., para encender el fuego, porque podrían causar daños a usted y al producto.

Nota: Peligro de sobrecalentamiento: la estufa no se debe utilizar nunca de manera que se produzca un sobrecalentamiento.

Se dice que se produce un sobrecalentamiento cuando se coloca una cantidad excesiva de leña en la estufa o se deja completamente abierto el respiradero de tiro.

El tiro de la chimenea nunca debe superar 2,5 mmVs (25 Pa).

Un signo inequívoco de sobrecalentamiento es cuando partes de la estufa se ponen incandescentes. Cuando ocurra esto, reduzca inmediatamente la abertura del respiradero de tiro.

Advertencia: cada fuego debe consumirse hasta que quede un rescoldo, antes de añadir más leña.

Mantenimiento

Limpieza del cristal

Jøtul F 400 está equipada con un sistema de depuración de aire. A través del respiradero de tiro, el aire se aspira por encima de la chimenea y se depura a lo largo del interior del cristal. Este sistema tiene la ventaja de que mejora la combustión y reduce la acumulación de depósitos de hollín sobre el cristal.

Aunque siempre se adhiere algo de hollín al cristal, la cantidad dependerá de las condiciones de tiro locales y del ajuste del respiradero de tiro. La mayor parte de la capa de hollín se suele quemar cuando se abre completamente el respiradero de tiro y arde un fuego vivo en la chimenea.

Un buen consejo: para la limpieza normal humedezca una toalla de papel en agua caliente y añádale cenizas de la cámara de combustión. Frote el cristal con la toalla de papel y luego límpielo con agua limpia. Si es necesario limpiar el cristal más a fondo, recomendamos el uso de un limpiacristales (siga las instrucciones de uso de la botella).

Eliminación de la ceniza

Jøtul F 400 está equipado con una bandeja que facilita la eliminación de cenizas. Sacuda la ceniza para que caiga a través de la parrilla de la placa base a la bandeja para la ceniza. Utilice un guante o un trapo para sujetar el tirador de la bandeja para ceniza y retirar la ceniza. Asegúrese de que la bandeja para ceniza no se llena hasta el punto de impedir que la ceniza caiga a la bandeja a través de la parrilla.

ESPAÑOL

Asegúrese de que la puerta de la bandeja para ceniza está cerrada firmemente mientras se esté utilizando la estufa. Vea asimismo la descripción donde se explica cómo manipular las cenizas en la sección “Medidas para prevención de incendios”.

Limpieza y eliminación del hollín

Pueden acumularse depósitos de hollín sobre las superficies internas de la estufa durante su uso. El hollín es un buen aislante y, por lo tanto, reduce la producción de calor de la estufa.

Será necesario limpiar el interior una vez al año para obtener el máximo efecto de calentamiento del producto. Es una buena idea hacerlo cuando desholline la chimenea y los tubos de humos.

Deshollinar los tubos de humos a la chimenea

Se puede deshollinar a través de la trampilla de deshollinamiento del tubo de humos, o retirar la placa superior y deshollinar a través de la salida de humos.

Control de la estufa

Jøtul le aconseja que controle personalmente la estufa de forma minuciosa después de deshollinar o limpiar. Compruebe si existen fisuras en las superficies visibles. Compruebe también que todas las uniones están selladas y que las juntas están bien colocadas. Deberán cambiarse las juntas que muestren signos de desgaste o deformación.

Limpie a fondo las ranuras de la junta, aplique adhesivo cerámico (disponible en su proveedor Jøtul local) y presione sobre la junta para que encaje en posición. La unión se secará en poco tiempo.

Mantenimiento externo

Tras algunos años de utilización es posible que los *productos pintados* sufran una alteración en su color. Debe cepillarse la superficie para limpiarla de partículas sueltas antes de aplicar una *pintura para estufas Jøtul* nueva.

Los *productos esmaltados* deben limpiarse únicamente con un paño limpio y seco. No utilice agua jabonosa. Las manchas pueden eliminarse con un líquido de limpieza (un producto para limpiar hornos, etc.).

Longitud, cantidad y calidad de los troncos

Los troncos que se utilicen deberán tener una longitud máxima de 50 cm. Colóquelos paralelos a la pared posterior de la cámara de combustión. La emisión de calor nominal es **7 kWh**. Se ha calculado que se necesitarán aproximadamente **2,8 kg** de leña de buena calidad por hora para lograr la emisión de calor nominal.

Definición de madera de buena calidad de Jøtul

La madera de buena calidad debe secarse de modo que el contenido de agua sea aproximadamente del 20 al 25%. Para ello, se debe cortar la madera a finales de invierno o comienzos de la primavera. Después se deberá cortar y apilar para asegurar que se airee correctamente. Se debe cubrir la leña apilada para evitar que absorba demasiada agua de lluvia. Los troncos deben guardarse en un lugar cerrado en otoño para utilizarlos durante la estación invernal.

Por leña de buena calidad se entiende troncos de árboles como abedul, haya y roble.

La cantidad de energía que se obtiene de 1 kg de madera varía muy poco, pero el peso específico de los diferentes tipos de madera sí varía considerablemente. Por ejemplo, un determinado volumen de abedul proporcionará menos kWh que el mismo volumen de roble, que tiene un peso específico más alto.

La cantidad de energía que proporciona 1 kg de madera de buena calidad es de aproximadamente 3,8 kWh. 1 kg de madera completamente seca (0 % de humedad) produce alrededor de 5 kWh, mientras que la madera con un nivel de humedad del 60 % produce solamente alrededor de 1,5 kWh/kg.

Conservación

Sustitución de los quemadores

- La estufa dispone de quemadores laterales que se aseguran con tornillos. El quemador posterior no está asegurado de forma alguna y se mantiene en su posición gracias a los quemadores laterales.
- Al sustituirlos, retire primero la placa deflectora, afloje después los tornillos y retire los quemadores.

Sustitución de la placa deflectora

- Levante la placa superior.
- La placa deflectora está apoyada sobre los quemadores.
- Para retirar la placa deflectora, afloje los soportes que la mantienen sobre los quemadores. Utilice un martillo para golpearlos cuidadosamente hacia las puertas. Vea la **fig. 5**.
- Levante la tapa deflectora y sáquela de canto por la parte superior.
- Para instalarla de nuevo, siga el mismo procedimiento en orden inverso.

Equipo opcional

Patas cortas - 155 mm

Pintura negra-	n° de catálogo 350173
Esmalte negro azulado -	n° de catálogo 350174
Esmalte verde océan -	n° de catálogo 350328
Esmalte marfil -	n° de catálogo 350176

Indice generale

Relazione alle autorità

Dati tecnici di Jøtul F 400	48
Misure di sicurezza generali	49
Misure preventive antincendio	49

Installazione di Jøtul 400

Principi fondamentali	49
Cappa	49
Circolazione dell'aria	49
Montaggio prima dell'installazione	49
Controllo delle funzioni	50
Montaggio del condotto	50
Collegamento alla cappa	50

Istruzioni per l'uso

Prima accensione e utilizzo quotidiano	50
Prima accensione	50
Uso quotidiano	51

Manutenzione

Pulizia del vetro	51
Eliminazione della cenere	51
Pulizia del camino ed eliminazione della fuliggine	51
Pulizia della canna fumaria fino alla cappa	51
Controllo del camino	52
Manutenzione esterna	52
Lunghezza, quantità e qualità della legna	52
Legna di qualità: definizione della Jøtul	52

Riparazione

Sostituzione delle piastre di combustione	52
Sostituzione del deflettore	52

Dotazione facoltativa

Gambe basse	52
-------------------	----

Figure - disegni	64- 65
------------------------	--------

Conformità alle leggi

Jøtul F 400 è un prodotto a combustione pulita per combustibile solido.

La piastra informativa del prodotto, in materiale refrattario, si trova sullo scudo termico sotto il ceneraio. Sulla piastra informativa si trovano le seguenti informazioni: Produttore e indirizzo, numero del modello, numero di serie, uscita di calore prevista, numero di registrazione (dopo l'assegnazione), modello e misure di sicurezza.

Prima dell'installazione è necessario ottenere dalle autorità locali competenti i permessi previsti. Non è infatti possibile iniziare l'installazione prima di aver ottenuto il permesso previsto.

L'installazione di una stufa deve essere eseguita in conformità ai codici e alle norme locali di ogni paese. Il rivenditore locale è stato appositamente selezionato per la sua conoscenza dei codici locali e potrà fornire l'assistenza necessaria per assicurare un'installazione sicura e conforme alla legge.

Attenzione! Assicurarsi che nella stanza in cui verrà installata la stufa vi sia una ventilazione adeguata. **Una ventilazione insufficiente può causare il consumo di ossigeno nella stanza e provocare stanchezza, nausea e malori, rappresentando un fattore di notevole pericolo.**

È importante accertarsi che le dimensioni del camino siano adatte alla stufa e che l'attacco al camino sia sigillato e funzioni correttamente. I gas causati dal fumo che penetrano in spazi chiusi possono rappresentare un rischio molto grave per la salute.

Le istruzioni per l'assemblaggio, l'installazione e l'uso sono fornite con il prodotto. L'installazione può essere utilizzata solo dopo essere stata ispezionata e dopo l'emissione di un certificato di completamento.

Dati tecnici di Jøtul F 400:

Materiale:	Ghisa
Rivestimento esterno:	Vernice nera, /Smalto
Combustibile:	Legna
Lunghezza massima dei ciocchi:	50 cm
Sistema di tiraggio:	Tiraggio superiore e inferiore
Sistema di combustione:	Combustione secondaria
Scarico fumi:	Alto/Retro
Dim. canna fumaria:	150 mm di diametro
Peso approssimativo:	158 kg
Accessori opzionali:	Gambe basse
Misure del prodotto, distanze muro non protetto:	Vedere fig. 1 .

Misure di sicurezza generali

Distanza da pareti di materiale infiammabile e requisiti della piastra sul pavimento:

Contattare le autorità locali per informazioni sulle leggi locali e per assicurarsi che la propria installazione sia sicura e a norma.

L'intera pavimentazione sotto la stufa e per almeno 30 cm davanti ad essa dovrà essere di materiale non infiammabile. (Vedere i regolamenti edilizi.) Si consiglia di contattare il rivenditore Jøtul locale prima dell'installazione.

Condotto del fumo in materiale non isolante: Se i condotti del fumo non isolanti devono passare attraverso pareti o pavimenti, le aperture devono essere di mattoni o muratura, in modo che la distanza tra la superficie esterna del condotto e il materiale infiammabile sia superiore a 230 mm. I condotti del fumo isolanti possono avere una distanza diversa: se necessario, consultare la documentazione tecnica relativa al condotto del fumo.

Misure preventive antincendio

L'utilizzo di un camino può costituire un pericolo. Si raccomanda pertanto di attenersi alle istruzioni seguenti:

- Assicurarsi che mobili e altro materiale infiammabile non siano mai troppo vicini al caminetto. È necessario che vi sia una distanza di almeno **600 mm** dalla parte anteriore del camino.
- Lasciare che il fuoco si spenga. Non utilizzare mai acqua per spegnere il fuoco poiché in questo modo si potrebbe danneggiare il caminetto.
- Il caminetto si scalda quando viene usato e pertanto, se toccato, può provocare ustioni.
- La cenere deve essere smaltita all'esterno oppure in un luogo in cui non costituisca un potenziale pericolo. Fare riferimento ai regolamenti locali.
- Ogni camino deve essere provvisto di un apposito contenitore in materiale ignifugo come accessorio standard per la raccolta sicura di fuliggine e ceneri. Fuliggine e ceneri devono restare in questo contenitore almeno una settimana, per essere sicuri che le braci siano spente. Se occorre svuotare il contenitore prima che sia trascorso questo periodo, versare abbondante acqua all'interno del contenitore e miscelare.
- La cenere può essere conservata; essa costituisce un ottimo fertilizzante per rose e altre piante.

Installazione di Jøtul F 400

Nota: prima di procedere all'installazione, ispezionare il camino e accertarsi che non sia danneggiato.

Il camino è pesante! Chiedere aiuto quando lo si solleva e lo si installa.

Principi fondamentali

Se Jøtul F 400 deve essere installato su un pavimento di legno, assicurarsi che la superficie sottostante abbia le dimensioni adeguate per sostenerlo.

Cappa

È possibile collegare il camino ad un elemento prefabbricato costruito in mattoni o una cappa in acciaio. **Vedere sezione a parte.** La sezione trasversale minima della cappa deve essere di 177 cm². (che corrisponde a 150 mm di diametro). Il collegamento alla cappa deve essere effettuato in conformità alle istruzioni di installazione fornite dal produttore della stessa.

Circolazione dell'aria

L'utilizzo di un caminetto richiede un abbondante flusso d'aria fresca nella stanza in cui viene installato il prodotto. Se la casa è sigillata, la stanza deve essere dotata di aperture di ventilazione che consentano un afflusso d'aria fresca supplementare. Evitare l'utilizzo di ventole meccaniche dove è presente un caminetto. Questo tipo di ventola potrebbe causare una pressione negativa e introdurre gas velenosi all'interno della stanza. Per evitare tale rischio, è possibile convogliare l'aria dall'esterno direttamente nella stufa mediante un adattatore (extra) montato sul bocchettone di entrata dell'aria della stufa. Da qui si dirige un tubo flessibile verso l'esterno dell'edificio. Le istruzioni di installazione vengono fornite insieme all'unità di installazione.

Montaggio prima dell'installazione

F 400 Jøtul è venduto in molti paesi con requisiti differenti per ciò che riguarda i focolari. Ciò significa che chi acquista il focolare in Europa dovrà apportare alcune piccole modifiche prima dell'installazione del prodotto.

1. Proprio all'interno del sportello è presente un coperchio di ispezione fissato con 2 viti sull'estremità esterna. Questo coperchio deve essere rimosso e sostituito da un elemento corrispondente, conservato nel vassoio di raccolta della cenere. Rimuovere la vite di sicurezza (fig. 6) posizionata al centro e montarla sul nuovo coperchio di ispezione recante la dicitura Europa. Attenzione: la rondella deve trovarsi all'esterno.

2. La piastra superiore è fissata con 2 viti per il trasporto. Queste devono essere rimosse in conformità con le disposizioni relative al libero accesso per i tubi di eliminazione del fumo. Innanzitutto, svitare la presa per l'eliminazione del fumo in modo da poter accedere alle 2 viti per il trasporto situate all'interno del prodotto, tra i pannelli laterali e la piastra superiore.

Nota: la piastra superiore va appoggiata sul prodotto e non avvitata a esso.

Il prodotto viene consegnato in un singolo imballo.

Inserire l'aletta della cenere, riposta all'interno della camera di combustione, nelle scanalature sotto lo sportello.

La camera di combustione contiene anche un parafiamma da montare sotto il ceneraio. Disimballare il parafiamma (vedere **figura 2a**) e fissarlo con le due viti inserite nel ceneraio (**2b**).

Avvitare il pomello della maniglia della porta alla maniglia della porta anteriore. (**Fig. 3 B+C e fig. 7.**)

Controllo delle funzioni (fig. 3)

Quando il prodotto è installato, controllare *sempre* le funzioni di controllo. È necessario che si muovano con facilità e che funzionino in maniera soddisfacente.

Ventola di tiraggio (A) Posizione a sinistra = chiusa.

Posizione a destra = completamente aperta.

Maniglia (B) = verso sinistra = aperto; verso destra = chiuso a destra=chiuso

Sportello del ceneraio (C). Ruotare la manopola in senso orario di mezzo giro. Utilizzare un guanto o altra protezione per estrarre il vassoio.

Nota: rimuovere la cenere solo quando la stufa è fredda.

Montaggio del condotto

È consigliabile effettuare un montaggio di prova prima di fare un buco nel camino. Vedere la **fig. 1** per le misure dal muro costruito in materiale non infiammabile. La stufa viene installata con un condotto di 150 mm di diametro. **Questo spessore deve essere approvato.**

L'assemblaggio originale di Jøtul F 400 è concepito per lo scarico dei fumi verso l'alto. **Se si preferisce uno scarico posteriore, svitare le due viti sui lati e ruotare il condotto di collegamento di 180°.** Quindi riavvitare saldamente le viti.

- Il condotto di scarico con il diametro di 150 mm è posizionato direttamente sullo scarico dei fumi del prodotto. Su entrambi i lati dell'uscita si trova una vite (**fig. 4-A**). Le due viti servono a fissare il condotto.
- Segnare con una matita il punto in cui le viti toccano il condotto quando esso si trova al fondo dell'apertura di uscita della stufa e praticare quindi un foro da 5,5 mm nel condotto.
- Utilizzare una guarnizione lo spazio tra il condotto dei fumi e lo scarico dei fumi del prodotto.

- Fissare il condotto con le viti.

Nota! I giunti devono essere completamente sigillati. Eventuali fuoriuscite d'aria potrebbero causare un cattivo funzionamento.

Collegamento alla cappa

Praticare un foro per il condotto del fumo. La distanza tra la stufa e la parete refrattaria/camino deve essere pari a quella mostrata nella **fig. 1**. Utilizzare sempre un collare per camini quando si collega la stufa al camino. Utilizzare il collare consigliato dal rivenditore quando si effettua il collegamento ad una cappa a elementi. Attenersi strettamente alle istruzioni di montaggio e utilizzo del fornitore facendo attenzione al cemento della camera di combustione prima di iniziare a utilizzare il camino.

Accertarsi che il condotto del fumo non sia inclinato verso la cappa. Dovrebbe essere almeno orizzontale, o meglio inclinato di qualche millimetro.

Nota! Un collegamento corretto ed ermetico è molto importante per il funzionamento corretto del prodotto. È particolarmente importante che i collegamenti abbiano una certa flessibilità. Ciò serve a prevenire la formazione di crepe dopo avere installato il camino.

Istruzioni per il funzionamento

Prima accensione e utilizzo quotidiano

Jøtul F 400 è un prodotto a combustione pulita che, grazie ad una camera d'aria, sottopone particelle e gas nocivi a una seconda combustione. È di estrema importanza utilizzare il sistema correttamente.

La stufa presenta alcune funzioni descritte nel capitolo: **Controllo delle funzioni**

Prima accensione

Aprire (**fig. 3-A**). Inserire alcuni giornali accartocciati, fascine e legna da ardere per accendere un piccolo fuoco. Aggiungere gradualmente altra legna e lasciare che il fuoco bruci vivacemente per alcune ore. Lasciare estinguere il fuoco e ripetere ancora una volta.

Nota! Durante il primo utilizzo del camino vengono emanati odori.

Prodotti verniciati: è probabile che quando si accende il fuoco per la prima volta, il camino emetta un gas irritante ed emani un odore sgradevole. Il gas non è tossico, ma si consiglia di aprire una finestra o una porta per consentire

una maggiore ventilazione nella stanza. Lasciare che il fuoco bruci con un tiraggio elevato fino a che tutte le tracce di gas scompaiono e non sono più presenti fumo e cattivi odori.

Prodotti smaltati: Le prime volte che si utilizza un camino nuovo può formarsi sulla superficie del camino acqua di condensa. Rimuovere tale condensa per impedire la formazione di macchie permanenti quando la superficie si riscalda.

Uso quotidiano

Accendere il fuoco con giornali e legna di piccola pezzatura. Aggiungere due ciocchi di dimensioni medie su ogni lato della base. Inframmezzare i ciocchi con fogli di giornale accartocciati (o con trucioli), quindi disporre delle fascine di legna incrociate sopra il tutto e dare fuoco ai giornali. Aumentare gradualmente la dimensione dei ciocchi aggiunti.

Ventola di tiraggio (fig. 3-A). Regolare quando il legno ha preso adeguatamente fuoco e brucia bene. Controllare che si sia verificata la postcombustione (seconda combustione). Ciò viene indicato da fiamme gialle e sfarfallanti nella camera d'aria. Regolare quindi il tasso di combustione sul livello desiderato di riscaldamento, regolando la ventola di tiraggio.

Utilizzare *sempre* legna da ardere di qualità. Questa legna fornisce i risultati migliori e non danneggia il prodotto.

Non bruciare mai nel camino i materiali sotto elencati:

- rifiuti domestici, sacchetti di plastica e così via.
- legname verniciato o impregnato, estremamente tossico
- cartone per scatole o fogli di laminato
- legname trovato in mare

Questi materiali potrebbero danneggiare il prodotto e inquinare l'atmosfera.

Nota! Non utilizzare mai liquidi infiammabili come benzina, cherosene, alcol denaturato o simili per accendere il fuoco. Ciò potrebbe causare danni sia a voi che al prodotto.

Nota! Pericolo di surriscaldamento: la stufa non deve mai essere utilizzata in maniera da provocarne il surriscaldamento.

Il surriscaldamento si verifica quando si colloca una quantità eccessiva di legna nel camino e/o quando si lascia la ventola di tiraggio completamente aperta.

Il tiraggio del camino non deve eccedere 2,5 mmVs (25 Pa). Se una qualsiasi parte del camino appare incandescente, significa che la temperatura è troppo elevata. Se ciò accade, ridurre immediatamente l'apertura della ventola di tiraggio. Attenzione! Il fuoco dovrebbe bruciare sino alla cenere prima di aggiungere nuova legna.

Manutenzione

Pulizia del vetro

Jøtul F 400 è dotato di un sistema "air wash". Attraverso la ventola di tiraggio l'aria viene risucchiata nella parte superiore del camino e spinta verso il basso lungo la parte interna del vetro. Questo sistema assicura una migliore combustione e riduce il deposito di fuliggine sul vetro. Sarà comunque inevitabile l'accumulo di un po' di fuliggine sul vetro e la sua quantità dipenderà dalle condizioni di tiraggio locale e dalla regolazione della ventola di tiraggio. La maggior parte della fuliggine verrà normalmente bruciata quando si apre completamente la valvola di tiraggio e il fuoco brucia vivacemente nel camino.

Suggerimento utile! Per la normale pulizia, inumidire un pezzo di carta assorbente con acqua tiepida e aggiungere un po' di cenere presa dalla camera di combustione. Sfregare il pezzo di carta contro il vetro, quindi pulirlo con acqua pulita. Se fosse necessario pulire il vetro più a fondo, si raccomanda un prodotto detergente per vetri (seguire le istruzioni riportate sul flacone).

Eliminazione della cenere

Jøtul F 400 possiede un ceneraio che rende più semplice rimuovere la cenere. Scuotere la cenere attraverso la grata nella piastra di base e quindi nel ceneraio. Indossare un guanto per impugnare la maniglia sul ceneraio ed estrarre la cenere. Assicurarsi che il ceneraio non si riempia fino al punto di impedire alla cenere di scendere dalla grata. Assicurarsi che lo sportello del ceneraio sia ben chiuso quando la stufa è in funzione. Vedere anche le istruzioni sullo smaltimento della cenere nella sezione Misure antincendio.

Pulizia del camino ed eliminazione della fuliggine

L'utilizzo della stufa può causare depositi di fuliggine all'interno della stessa. La fuliggine è un buon isolante e riduce l'emissione di calore della stufa.

È necessaria una pulizia interna annuale per ottenere i migliori risultati dal prodotto. È consigliabile eseguire questa operazione assieme alla pulizia della cappa e della canna fumaria

Pulizia della canna fumaria fino alla cappa

È possibile pulire la canna fumaria passando dall'apposito sportello oppure rimuovendo la piastra superiore e passando attraverso lo scarico dei fumi.

ITALIANO

Controllo del camino

Jøtul consiglia di controllare personalmente e con attenzione il camino dopo averne eseguito la pulizia. Controllare che non vi siano crepe su tutte le aree di superficie visibili. Verificare che tutte le giunzioni siano ermetiche e che le guarnizioni siano posizionate correttamente. Qualsiasi guarnizione che presenti segni di usura e deformazione deve essere sostituita.

Pulire a fondo la scanalatura della guarnizione, aggiungere adesivo ceramico (acquistabile presso il rivenditore locale Jøtul) e premere la guarnizione nella posizione corretta. Il giunto si asciugherà rapidamente.

Manutenzione esterna

Dopo diversi anni di utilizzo, i *prodotti verniciati* possono cambiare colore. Prima di applicare nuova vernice per camino Jøtul, è necessario pulire la superficie e spazzolare via le particelle residue.

I prodotti smaltati devono essere puliti solo con un panno asciutto. Non utilizzare acqua né sapone. Eventuali macchie possono essere rimosse con prodotti detersivi (prodotti per il forno e così via).

Lunghezza, quantità e qualità della legna

Utilizzare ciocchi con una lunghezza massima di 50 cm. I ciocchi devono essere collocati parallelamente alla parete posteriore della camera di combustione. L'emissione di calore di la capacità nominale è di **7,0 kWh**. Il requisito calcolato per l'emissione nominale di calore è di **2,8 kg** di legna di qualità ogni ora.

Legna di qualità: Definizione di Jøtul

La legna di buona qualità deve presentare un grado di essiccazione tale che il contenuto di acqua sia pari a circa il 20-25%.

Per raggiungere tale livello, la legna deve essere tagliata nel tardo inverno o all'inizio della primavera. Deve essere poi tagliata e impilata in modo da assicurare un'adeguata ventilazione. Le cataste devono venire coperte per evitare che assorbano troppa acqua piovana. In autunno la legna dovrebbe essere tenuta al chiuso per poterla utilizzare durante l'inverno.

Con legna di buona qualità si intendono, ad esempio, ciocchi di betulla, faggio e quercia.

La quantità di energia ottenibile da 1 kg di legna varia molto poco. Il peso specifico dei differenti tipi di legname varia invece in misura considerevole. Ad esempio, il peso di un determinato volume di legno di betulla produce meno kWh rispetto alla medesima quantità di legno di quercia.

La quantità di energia contenuta in un 1 kg di legna di qualità è circa 3,8 kWh. 1 kg di legname completamente essiccato

(0 % di umidità) produce circa 5 kWh, mentre del legname con un tasso di umidità del 60% produce soltanto circa 1,5 kWh/kg.

Riparazione

Sostituzione delle piastre di combustione

- Il caminetto ha piastre di combustione laterali, fissate con delle viti. La piastra di combustione posteriore non è fissata, ma viene tenuta in posizione dalle piastre laterali.
- Per la sostituzione, rimuovere innanzi il deflettore, quindi allentare le viti e rimuovere le piastre di combustione.

Sostituzione del deflettore

- Rimuovere la piastra superiore.
- Il deflettore è appoggiato sul lato superiore delle piastre di combustione.
- Per rimuovere il deflettore, allentare i supporti che lo tengono premuto verso il basso contro le piastre di combustione. Con l'aiuto di un martello, spingerli con attenzione verso lo sportello. Vedere **fig. 5**
- Sollevare leggermente il deflettore e rimuoverlo inclinandolo attraverso lo sportello.
- Per la reinstallazione seguire la stessa procedura in senso inverso.

Dotazione facoltativa

Gambe basse- 155 mm

Vernisse nera -	cod. art. 350173
Smalto blu notte -	cod. art. 350174
Smalto verde mare -	cod. art. 350328
Smalto avorio -	cod. art. 350176

Inhalt

Behördliche Auflagen

Technische Daten des Jøtul F 400	54
Allgemeine Sicherheitsbestimmungen	54
Brandverhütungsmaßnahmen	54

Aufstellen des Jøtul F 400

Fundamente	54
Schornstein	54
Luftzirkulation	54
Zusammenbau vor der Aufstellung	55
Steuergeräte	55
Installation des Abzugsrohrs	55
Anschluß an den Schornstein	55

Inbetriebnahme

Inbetriebnahme und täglicher Gebrauch	56
Inbetriebnahme	56
Täglicher Gebrauch	56
Heizen in der Übergangszeit	56

Pflege

Reinigung des Sichtfensters	57
Entfernen der Asche	57
Reinigung des Kamins und Rußentfernung	57
Fegen des Abzugsrohres zum Kamin	57
Inspektion des Ofens	57
Pflege der Oberflächen	57
Länge, Menge und Qualität der Holzscheite	57
Jøtuls Definition von Qualitätsbrennholz	57

Instandhaltung

Austausch der Hitzeschutzplatten	58
Austausch der Umlenkplatte	58

Abbildungen - Zeichnungen	64– 65
---------------------------------	--------

Behördliche Auflagen

Der Jøtul F 400 ist ein sauber brennender Kaminofen und ist nach DIN 18891 Bauart 2.

Das Typenschild (Geräteschild) befindet sich auf der Hitzeshild unter dem Aschebehälter. Es besteht aus wärmebeständigem Material. Auf dem Typenschild sind folgende Angaben aufgelistet: Hersteller und Adresse, Typennummer, Herstellnummer, Nennwärmeleistung, Registriernummer, DIN-Norm-Nummer, Bauart und Sicherheitsabstände. Neben dem Typenschild befindet sich das Überwachungszeichen (Ü-Zeichen).

Bauarten von Kaminöfen

DIN 18891 unterscheidet Kaminöfen der Bauart 1 und 2. Kaminöfen der Bauart 1 haben eine selbstschliessende Feuerraumtür und dürfen an einen mehrfach belegten Schornstein angeschlossen werden. Aus Sicherheitsgründen muss die Feuerraumtür mit Ausnahme der Bedienung stets geschlossen sein. Kaminöfen der Bauart 1 dürfen ständig betrieben werden.

Kaminöfen der Bauart 2 müssen an einen eigenen Schornstein angeschlossen werden. Der Betrieb mit offenem Feuerraum ist nur unter Aufsicht statthaft. Kaminöfender Bauart 2 dürfen nur 40 Stunden im Monat betrieben werden, d.h. z.B 8 Mal 5 Stunden.

Bevor Sie mit dem Aufstellen des Kaminofens beginnen, muß unbedingt die Genehmigung der örtlichen Baubehörde vorliegen. Ohne Genehmigung sollten Sie nicht mit dem Einbau beginnen. Sprechen Sie vor dem Einbau mit ihrem zuständigen Bezirks - Schornsteinfegermeister.

Die Aufstellung muß gemäß den behördlichen Auflagen und Bestimmungen der jeweiligen Länder erfolgen. Ihr Vertragshändler wurde speziell wegen seiner Kenntnisse der behördlichen Auflagen ausgewählt und wird Ihnen behilflich sein, den Kaminofen sicher und in gesetzlich vorgeschriebener Weise aufzustellen.

Vorsicht! Stellen Sie eine ausreichende Belüftung des Raumes sicher, in dem der Ofen aufgestellt werden soll. Eine unzureichende Belüftung verursacht die Entstehung gefährliche Rauchgase im Raum, welche zu Schläfrigkeit, Übelkeit und Krankheit führen können und extrem gefährlich ist.

Es muß sichergestellt sein, daß der Schornstein den für den Ofen erforderlichen Abmessungen genügt und die Anschlußelemente dicht mit dem Schornstein abschließen und ordnungsgemäß funktionieren. In abgeschlossene Räume eindringende Abluftgase stellen ein ernst zu nehmendes Gesundheitsrisiko dar.

Anleitungen für Montage bzw. Aufstellung und zum Betrieb des Kaminofens sind dem Produkt beige packt. Das Gerät darf nur dann in Betrieb genommen werden, wenn es geprüft und als betriebsbereit genehmigt wurde.

DEUTSCH

Technische Daten des Jøtul F 400:

Material:	Gußeisen
Anstrich:	Schwarze Farbe, Emaille
Heizmaterial:	Holz
Max. Holzscheitlänge:	50 cm
Abzugssystem:	Oberer Lufteinzug und Entfachungsbelüftung
Verbrennungssystem:	Sekundäre Verbrennung
Rohrstutzen:	Oben/Rückseite
Rohrabmessungen:	Durchmesser 150 mm
Gewicht:	Ca. 160 kg
Produktabmessungen, Entfernungsangaben bei nicht isolierter Wand:	Siehe Abb. 1

Allgemeine Sicherheitsbestimmungen

Anforderungen an die Brandschutzplatte: Sofern der Ofen auf einem Boden aus brennbarem Material aufgestellt werden soll, muß der gesamte Bodenbereich unter sowie ca. **500 mm vor dem Ofen**, mit einer Brandschutzplatte aus nicht brennbarem Material ausgelegt sein (siehe Maßangaben in **Abb. 1**). Der Ofen ist so isoliert, daß zwischen Brandschutzplatte und brennbarem Fußboden kein Isoliermaterial erforderlich ist. Die Brandschutzplatte muß sich seitlich min. **300 mm** über die Feuerraumöffnungen erstrecken.
(Siehe **Abb. 1**)

Abstand zwischen Kaminofenofen und brennbarer Wand (mit dem Hitzehild montiert):
100 mm zur Rückwand
300 mm zur Seitwand
800 mm im Strahlungsbereich
(Siehe **Abb. 1**)

Nicht isoliertes Verbindungsstück: Der Jøtul F 400 ist für den Betrieb mit einem nicht isolierten Verbindungsstück zugelassen, wobei die in **Abb. 1** beschriebenen Abstände einzuhalten sind. Wenn nicht isolierte Verbindungsstücke durch Böden oder Wände verlegt werden, müssen diese mit Mauerwerk aus Ziegelstein oder Zement ummantelt werden, damit die Außenfläche des Rohrs mindestens in einem Abstand von **200 mm** am brennbarem Material vorbeigeführt wird. Isolierte Verbindungsstücke dürfen in einem anderen Abstand verlegt werden (vgl. die Sicherheitsdokumentation für das Verbindungsstück).

Brandverhütungsmaßnahmen

Die Benutzung des offenen Kamins ist stets mit einer gewissen Gefahr verbunden. Deshalb sollten die folgenden Anweisungen unbedingt beachtet werden.

- Es ist darauf zu achten, daß Möbel und andere brennbare Gegenstände nicht zu nahe am offenen Kamin stehen. Innerhalb eines Mindestsicherheitsabstandes von 800mm zum offenen Kamin hin dürfen sich keine Gegenstände befinden.

- Lassen Sie das Feuer einfach ausgehen. Löschen Sie das Kaminfeuer niemals mit Wasser. Dadurch kann der Kamin beschädigt werden.
- Der offene Kamin wird heiß und kann bei Berührung Verletzungen hervorrufen.
- Die Asche muß draußen an einem Ort entsorgt werden, an dem keine Feuergefahr mehr entstehen kann. Halten Sie sich an die behördlichen Bestimmungen.
- Für jeden Ofen sollte als Standard-Zubehör ein Behälter aus nicht brennbarem Material bereitstehen, in dem sich Ruß und Asche feuersicher aufbewahren lassen. Ruß und Asche müssen mindestens eine Woche lang in diesem Behälter gelagert werden, damit sichergestellt ist, daß auch die letzte Glut erloschen ist. Muß der Behälter früher entleert werden, ist der Inhalt erst mit reichlich Wasser zu vermischen.
- Ein Aufbewahren der Asche ist ebenfalls möglich. Asche ist ein hervorragender Pflanzendünger, u.a. für Rosen.

Aufstellen des Jøtul F 400

Hinweis! Vor dem Aufstellen ist der Ofen auf Beschädigungen zu untersuchen. Der Kamin ist schwer. Um ihn aufzustellen und in die richtige Position zu bringen, ist eine zweite Person erforderlich.

Fundamente

Wenn der Jøtul F 400 auf einem Holzfußboden aufgestellt werden soll, muß sichergestellt sein, daß der Boden unter dem Ofen diese Traglast auch aufnehmen kann.

Schornstein

Der Ofen kann an einen Mauerwerk- oder Ziegelschornstein, einen vorgefertigten Schornstein oder einen Stahlschornstein angeschlossen werden. **Siehe den entsprechenden Abschnitt.** Wir empfehlen dass der Schornstein einen Mindestquerschnitt von 177 cm² bzw. einen Durchmesser von 150 mm haben soll. Der Anschluß an den Schornstein muß gemäß den Einbauanweisungen des Schornsteinlieferanten erfolgen. Beachtung der DIN 4705.

Luftzirkulation

Die Benutzung eines offenen Kamins erfordert für den Raum, in dem der Kamin steht, eine reichliche Frischluftzufuhr. Wenn das Haus vollständig isoliert ist, muß der Raum mit einer besonderen Frischluftzufuhr versehen werden, z.B. durch einen separaten Luftkanal. In Räumen mit offenen Kaminen sollten keine Lüftungseinrichtungen mit mechanischem Gebläse verwendet werden. Dies führt ggf. zu einer ungünstigen Druckverteilung, wodurch giftige Abgase in den Raum geblasen werden. Um dies zu vermeiden, kann über einen Adapter (Zusatzausstattung),

der am Lufteinlaß des Ofens angebracht wird, direkt Außenluft zugeführt werden. Von dort führt ein flexibler Schlauch nach Außen. Die Anleitung zur Aufstellung sind der Zusatzausstattung beigelegt.

Zusammenbau vor der Aufstellung

Jøtul F 400 wird in vielen Ländern verkauft, die unterschiedliche Anforderungen an Öfen stellen. Das heißt, dass der Käufer eines Ofens in Europa einige kleinere Änderungen vornehmen muss, bevor er das Produkt installieren kann.

1. An der Innenseite die Tür befindet sich ein Prüfblech, das mit 2 Schrauben an der Außenkante befestigt ist. Das Prüfblech muss entfernt und durch ein entsprechendes Teil aus dem Aschebehälter ersetzt werden. In der Mitte befindliche Sicherheitsschraube (Abb.6) entfernen und an das neue Prüfblech mit der Bezeichnung "Europa" anbauen. Hinweis! Die Unterlegscheibe muss sich an der Außenseite befinden.
2. Die Deckelplatte ist mit 2 Transportschrauben befestigt. Diese müssen aufgrund der Bestimmung des freien Zugangs zur Reinigung von Rauchabzugsrohren entfernt werden. Dazu müssen zunächst die Schrauben des Rauchabzugs gelöst werden, so dass die beiden Transportschrauben an der Innenseite des Ofens zwischen den Seitenblechen und der Deckelplatte zugänglich sind.

Beachten Sie, dass die Deckelplatte auf dem Produkt liegen und nicht daran befestigt sein soll.

Der Ofen wird in einer Komplettverpackung geliefert.

Setzen Sie die in der Verbrennungskammer befindliche Aschenlippe in die Nuten unter der Tür ein.

In der Verbrennungskammer befindet sich auch ein unter dem Aschebehälter anzubringender Hitzeschild. Falten Sie den Hitzeschild auseinander (siehe **Abb. 2A**) und befestigen Sie ihn mit den beiden beiliegenden Schrauben am Aschebehälter (**2B**).

Türknaufe an die Türgriffe schrauben. (**Fig. 3 B+C und Fig. 7.**)

Steuergeräte (Abb. 3)

Bei der Aufstellung des Kamins müssen *immer* die Steuergeräte überprüft werden. Diese sollten leichtgängig sein und einwandfrei arbeiten.

Luftzufuhröffnung (A)

Linke Position = geschlossen.

Rechte Position = vollständig geöffnet.

Türgriff (B)

Nach links = geöffnet

Nach rechts = geschlossen.

Aschentür (C). Drehen Sie den Handgriff eine halbe Drehung entgegen dem Uhrzeigersinn. Ziehen Sie den Aschkasten mit einem Handschuh oder ähnlichem heraus. **Hinweis! Entnehmen Sie Asche nur bei abgekühltem Ofen.**

Installation des Abzugsrohrs

Der Kamin sollte zuerst probeweise montiert werden, bevor ein Teil der Wand am Schornstein herausgeschlagen wird. In **Abb. 1** sind die Abmessungen für einen Wanddurchschlag bei einer Wand aus nicht entflammaren Werkstoff angegeben. Der Ofen wird mit einem Abzugsrohr von 150 mm Durchmesser installiert. **Dieser Durchmesser muß zulässig sein.**

Der Jøtul F 400 ist werkseitig für einen oberen Rohrstützen vormontiert. **Falls der Rohrstützen hinten angebracht werden soll, lockern Sie die beiden seitlichen Schrauben und drehen Sie das Verbindungsrohr um 180°. Anschließend die Schrauben fest anziehen.**

- Das Abzugsrohr mit 150 mm Durchmesser wird direkt auf den mitgelieferten Adapter und dann an den Rohrstützen am Kamin montiert. Auf beiden Seiten des Kaminabzugs (**Abb. 4-A**) befindet sich eine Schraube. Befestigen Sie damit das Abzugsrohr.
- Markieren Sie die Stelle am Abzugsrohr, an der die Schrauben auf das Abzugsrohr stoßen, wenn das Rohr am Boden des Rohrstützens anliegt, und bohren Sie für die Schrauben ein 5,5 mm großes Loch in das Abzugsrohr.
- Verwenden Sie Dichtungsschnur um den Spalt zwischen Abzugsrohr und Rohrstützen des Kamins abzudichten.
- Befestigen Sie das Abzugsrohr mit den Schrauben.

Hinweis! Es ist wichtig, daß die Fugen vollständig abgedichtet sind. Austretende Luft o. ä. kann die ordnungsgemäße Funktion des Kamins beeinträchtigen.

Anschluss an den Schornstein

Bohren Sie ein Loch für das Abzugsrohr. Der erforderliche Abstand zwischen Ofen und Feuerwand/Kamin ist **Abb. 1** zu entnehmen. Befestigen Sie das Abzugsrohr immer mit einer Schornsteinmanschette am Schornstein. Verwenden Sie beim Anschluß an einen Schornstein aus Betonelementen die vom Lieferanten empfohlene Schornsteinmanschette. Bevor Sie den offenen Kamin benutzen, lesen Sie in der Zusammenbau- und Gebrauchsanleitung des Lieferanten sorgfältig die Hinweise über den Ofenkitt und befolgen Sie diese.

Sorgen Sie dafür, dass das Abzugsrohr sich auf keinen Fall zum Schornstein nach unten neigt. Es sollte zumindest waagrecht, eher sogar einige Millimeter aufwärts verlaufen.

Hinweis! Eine ordnungsgemäße und dichte Verbindung ist für eine einwandfreie Funktion des Kamins äußerst wichtig. Bitte beachten Sie, dass insbesondere flexible Rohrverbindungen wichtig sind. Dadurch wird eine mögliche Rißbildung der Rohre verhindert.

Inbetriebnahme

Inbetriebnahme und täglicher Gebrauch

Der Jøtul F 400 ist ein sauber brennender Kamin, der mit Hilfe einer zusätzlichen Verbrennungsluftzufuhr alle giftigen Gase und Partikel nachverbrennt. Eine ordnungsgemäße Benutzung des Systems ist wichtig.

Der Ofen ist mit bestimmten Funktionen ausgestattet, die im Abschnitt „Steuergeräte“ beschrieben sind: **Steuergeräte.**

Inbetriebnahme

Öffnen Sie die Luftzufuhröffnung, indem Sie die Zufuhrklappe ganz nach rechts (**Abb. 3-A**) schieben. Legen Sie etwas zerknülltes Zeitungspapier, Anzündholz und Brennholz in den offenen Kamin; entfachen Sie dann zuerst ein kleines Feuer. Legen Sie schrittweise weiteres Brennholz in die Feuerstelle und lassen Sie das Feuer einige Stunden mit lebhafter Flamme brennen. Lassen Sie das Feuer ausbrennen, und wiederholen Sie das Ganze.

Hinweis! Wenn Sie den Ofen das erste Mal benutzen, kann es zur Geruchsbildung kommen.

Kamine mit Farbanstrich. Wenn der Ofen zum ersten Mal verwendet wird, können sich streng riechende Dämpfe bilden, die aber nicht giftig sind. Sie sollten ein Fenster oder eine Tür öffnen, damit der Raum gründlich belüftet wird. Lassen Sie das Feuer bei starkem Luftzug brennen, bis auch die letzten Spuren von Dämpfen verschwunden und auch kein Rauch und keine Gerüche mehr vorhanden sind.

Emaillierte Kamine: An der Außenfläche des Ofens kann sich Kondenswasser bilden, wenn der Kamin die ersten Male in Betrieb ist. Das muß in jedem Fall weggewischt werden, um die Bildung bleibender Wasserflecken bei Erwärmung der Oberfläche zu vermeiden.

Täglicher Gebrauch

Entfachen Sie das Feuer mit Hilfe von Zeitungspapier und etwas Anzündholz. Legen Sie zwei nicht zu große Holzscheite auf jede Seite der Feuerstelle. Schieben Sie etwas zusammengedrehtes Zeitungspapier zwischen die Scheite, legen Sie dann etwas Anzündholz in einem kreuzförmigen Muster darauf und zünden Sie das Feuer an. Legen Sie jetzt immer größere Holzscheite in das Feuer.

Luftzufuhröffnung (Abb. 3-A). Regulieren Sie die Luftzufuhr so, daß das Holz einwandfrei angezündet werden kann und sauber verbrennt. Prüfen Sie, ob die Nachverbrennung (Sekundärverbrennung) beginnt. Eine gelbliche, flackernde Flamme in der Luftkammer kennzeichnet diesen Vorgang

am deutlichsten. Die gewünschte Hitzestufe regulieren Sie über die Verbrennungsgeschwindigkeit; stellen Sie dazu die Luftzufuhröffnung entsprechend ein.

Verwenden Sie *stets* Brennholz guter Qualität. Damit werden die besten Ergebnisse erzielt und der Kamin nicht beschädigt.

Der Ofen darf niemals gefeuert werden mit:

- Hausmüll, Plastiktüten usw.
- angestrichenem oder imprägniertem Holz (hochtoxisch)
- Spanplatten oder Laminatbrettern
- Treibholz

All das kann den Kamin beschädigen und belastet die Umwelt, insbesondere die Luft.

Hinweis! Entfachen Sie ein Feuer niemals mit leicht entzündlichen Flüssigkeiten wie z. B. Benzin, Kerosin, Brennspritus o. ä. Es besteht Verletzungsgefahr; außerdem kann der Kamin beschädigt werden.

Hinweis! Überhitzungsgefahr: Der Ofen darf auf keinen Fall in einer Weise betrieben werden, die zu einer Überhitzung führt.

Eine Überhitzung liegt immer dann vor, wenn der Ofen mit Brennholz überladen wird bzw. die Luftzufuhröffnung vollständig geöffnet bleibt.

Der Lufteinzug am Schornstein darf 2,5 mmVs (25 Pa) nicht übersteigen. Ein sicheres Anzeichen für eine Überhitzung ist es, wenn Teile des Ofens bereits rotglühend sind. In diesem Fall müssen Sie sofort den Durchlaß für den Lufteinzug mit Hilfe der Luftöffnung verringern.

Vorsicht! Lassen Sie das Feuer solange brennen, bis nur noch glimmende Asche vorhanden ist, bevor Sie neues Brennholz auflegen.

Heizen in der Übergangszeit

In der Übergangszeit, d.h. bei höheren Außentemperaturen, kann es bei plötzlichem Temperaturanstieg zu Störungen des Schornsteinzuges kommen, so daß die heizgase nicht vollständig abgezogen werden. Die Feuerstätte ist dann mit geringeren Brennstoffmengen zu befüllen und bei grösserer Stellung des Primärluftschiebers/-reglers so zu betreiben, daß der vorhandene Brennstoff schneller (mit Flammenentwicklung) abbrennt und dadurch der Schornsteinzug stabilisiert wird. Zur Vermeidung von Widerständen im Glutbett sollte die Asche öfter vorsichtig abgeschürt werden.

Pflege

Reinigung des Sichtfensters

Der Jøtul F 400 ist mit einem Luftspülungssystem ausgestattet. Durch die Luftzufuhröffnung gelangt die angesaugte Luft von oben an die Feuerstelle und reinigt das Sichtfenster entlang der Innenseite nach unten. Dieses System verbessert den Verbrennungsvorgang und reduziert die Rußablagerungen auf dem Sichtfenster.

Natürlich verbleibt je nach den örtlichen Luftzugverhältnissen und der Einstellung der Luftzufuhröffnung immer noch etwas Ruß am Sichtfenster. Normalerweise verbrennt der Großteil der Rußschicht bei vollständig geöffneter Luftzufuhröffnung, und das Feuer brennt mit lebhafter Flamme.

Nützlicher Hinweis! Verwenden Sie zur einfachen Reinigung des Sichtfensters ein mit warmem Wasser angefeuchtetes Papiertuch, dem Sie etwas Asche aus der Verbrennungskammer beimengen. Reiben Sie mit dem Papiertuch über das Sichtfenster und waschen Sie anschließend mit klarem Wasser nach. Falls das Sichtfenster gründlicher gereinigt werden muß, empfehlen wir die Verwendung eines Glasreinigers (beachten Sie bitte die Gebrauchsanweisung auf der Flasche).

Entfernen der Asche

Der Jøtul F 400 verfügt über einen Aschkasten, der das Entfernen der Asche vereinfacht. Kehren Sie die Asche durch den Rost in der Ofenplatte in den Aschkasten. Nehmen Sie den Griff des Aschkastens mit einem Handschuh oder ähnlichem in die Hand, und tragen Sie die Asche hinaus. Achten Sie darauf, daß der Aschkasten nicht so hoch gefüllt wird, daß keine Asche mehr durch den Rost nach unten in den Kasten fallen kann.

Die Tür zum Aschkasten muß während des Ofenbetriebs fest geschlossen sein.

Eine Erläuterung zum Umgang mit der Asche finden Sie unter „**Brandverhütungsmaßnahmen**“.

Reinigung des Kamins und Russentfernung

An den Innenflächen des Ofens können sich bei Gebrauch Rußablagerungen bilden. Der Ruß wirkt wie ein Isolator und verringert daher die Wärmeabgabe des Ofens.

Einmal jährlich sollte das Kamininnere gereinigt werden, um die größtmögliche Wärmenutzung zu erhalten. Dabei ist es sinnvoll, Schornstein und Abzugsrohre gleich mit auszufegen.

Fegen des Abzugsrohres zum Kamin

Das Fegen kann durch die Rohrluke im Abzugsrohr oder nach Abbau der Deckelplatte durch den Rauchabzug erfolgen.

Inspektion des Ofens

Jøtul empfiehlt, daß Sie persönlich eine sorgfältige Inspektion des Ofens durchführen, nachdem er gereinigt bzw. ausgefegt wurde. Prüfen Sie alle sichtbaren Oberflächen auf Risse. Prüfen Sie auch, ob alle Verbindungen abgedichtet sind und alle Dichtungen richtig sitzen. Verschlissene oder verformte Dichtungen müssen ersetzt werden.

Reinigen Sie die Dichtnuten sorgfältig, tragen Sie Spezialkleber (erhältlich bei Ihrem Jøtul-Vertragshändler) auf und pressen Sie die Dichtung in ihren Sitz. Die Verbindungen trocknen schnell.

Pflege der Oberflächen

Bei *lackierten Kaminen* kann sich der Farbton nach mehreren Jahren ändern. Bevor Sie einen neuen **Jøtul-Ofenlack** aufbringen, müssen Sie die Oberflächen sauber wischen und von losen Partikeln befreien.

Emaillierte Kamine dürfen nur mit einem sauberen, trockenen Tuch abgewischt werden. Verwenden Sie kein Wasser und keine Seife. Wasserflecken lassen sich mit Reinigungsmitteln (Ofenreiniger o. ä.) entfernen.

Länge, Menge und Qualität der Holzscheite

Die verwendeten Holzscheite dürfen nicht länger als 50 cm sein. Die Holzscheite müssen parallel zur Rückwand der Verbrennungskammer plaziert werden. Die Wärmeabgabe der Nennkapazität beträgt **7,0 kWh**. Um den Ofen bei Nennwärmeabgabe zu betreiben, sind **2,8 kg** Qualitätsholz pro Stunde erforderlich.

Jøtuls Definition von Qualitätsbrennholz

Brennholz guter Qualität muß trocken sein, d.h. mit einem Wasseranteil von ca. 20-25 %.

Zu diesem Zweck sollte das Holz am Ende des Winters oder zu Beginn des Frühjahrs geschlagen werden. Es sollte anschließend gespalten und trocken (abgedeckt) an der Luft gelagert werden. Die Brennholzstapel sollten abgedeckt werden, um ein übermäßiges Eindringen von Regenwasser zu vermeiden. Im Herbst sollten die Holzscheite drinnen gelagert werden, um dann im Winter verfeuert zu werden.

DEUTSCH

Brennholz guter Qualität sind beispielsweise Scheite von Birken-, Buchen- und Eichenbäumen.

Die Energieausbeute von 1 kg Holz schwankt nur wenig. Dagegen schwankt das spezifische Gewicht (Trockengewicht) der verschiedenen Holzarten erheblich. Ein bestimmtes Volumen Birkenholz liefert z.B. weniger kWh als das gleiche Volumen Eichenholz, das ein höheres spezifisches Gewicht besitzt.

Die Energieausbeute von 1 kg Qualitätsholz liegt bei etwa 3,8 kWh. 1 kg absolut trockenes Holz (0 % Feuchtigkeit) liefert ca. 5 kWh, während Holz mit 60 % Feuchtigkeitsgehalt dagegen nur etwa 1,5 kWh/kg liefert.

Instandhaltung

Austausch der Hitzeschutzplatten

- Der Ofen ist mit seitlichen Hitzeschutzplatten ausgestattet, die mit Schrauben befestigt sind. Die hintere Hitzeschutzplatte ist nicht befestigt. Sie wird durch die seitlichen Hitzeschutzplatten gehalten.
- Zum Austausch der Hitzeschutzplatten zunächst die Umlenkplatte abnehmen. Anschließend die Schrauben lösen und die Hitzeschutzplatten abnehmen.

Austausch der Umlenkplatte

- Deckelplatte abheben.
- Die Umlenkplatte befindet sich über den Hitzeschutzplatten.
- Zum Entfernen der Umlenkplatte lösen Sie die Halterungen, die die Umlenkplatte gegen die Hitzeschutzplatten drücken. Verwenden Sie einen Hammer und schlagen Sie die Halterungen vorsichtig in Richtung Türen heraus. Siehe **Abb. 5**.
- Heben Sie die Umlenkplatte an und entfernen Sie sie seitlich aus dem Oberteil.
- Der Wiedereinbau erfolgt in umgekehrter Ausbaureihenfolge.

Inhoudsopgave

Wettelijke voorschriften

Technische gegevens van de Jøtul F 400	60
Algemene veiligheidsmaatregelen	60
Maatregelen voor brandpreventie	60

Installatie van de Jøtul F 400

Vloer	60
Schoorsteen	60
Luchtcirculatie	60
Montage vóór plaatsing	60
Controle van de functies	61
Plaatsing van de kachelpijp	61
Schoorsteenaansluiting	61

Gebruiksaanwijzing

Eerste keer stoken en dagelijks gebruik	61
Eerste keer stoken	61
Dagelijks gebruik	62

Onderhoud

Glas reinigen	62
As verwijderen	62
Reinigen en roet verwijderen	62
Kachelpijpen naar de schoorsteen vegen	62
Haard inspecteren	62
Onderhoud buitenkant	63
De lengte, hoeveelheid en kwaliteit van de houtblokken	63
Jøtuls definitie van goed brandhout	63

Groot onderhoud

De branderplaten vervangen	63
De keerplaat vervangen	63

Optionele apparatuur

Korte poten	63
-------------------	----

Figuren - Afbeeldingen	64– 65
------------------------------	--------

Wettelijke voorschriften

Jøtul F 400 is een product met schone verbranding voor vaste brandstoffen.

Het typeplaatje bevindt zich op het hitteschild onder de askamer, en is gemaakt van hittebestendig materiaal. Op het typeplaatje staat de volgende informatie: producent en adres, modelnummer, productienummer, vermogen, registratienummer (na toewijzing), model en veiligheidsmaatregelen. Het keurmerk bevindt zich naast het typeplaatje.

Installatie- en bedieningsvoorschrift zijn bij het product meegeleverd en dienen aangehouden te worden.

Regelgeving en milieu- aspecten.

Voordat het toestel geplaatst wordt moet gecontroleerd worden of de opstelplaats en schoorsteen aan de lokaal geldende bouwverordeningen en het Bouwbesluit voldoen. Voorkom overlast naar Uw omgeving; stook niet bij mist of windstil weer. U stookt goed als de rook wit of kleurloos is. Gebruik de juiste brandstof; zie verderop in de instructie.

Controle voor de installatie

Bij plaatsing dient rekening gehouden te worden met de afstanden tot brandbare vloeren en wanden en het stralingsgebied rondom het toestel; zie verderop in de instructie.

Zorg ook voor voldoende ventilatie van de opstellingsruimte; minimale ventilatieopening (vrije doorlaat) van 6,2 x B (belasting toestel in kW) in cm² (zie ook Bouwbesluit).

Gebruik als afvoermateriaal Prefab roestvaststalen of keramische kanalen met een Keurmerk volgens KOMO of NEN 6062.

Voor de installatie dient het schoorsteenkanaal gecontroleerd en zonodig schoongemaakt te worden.

Veeg het kanaal 2x per jaar, 1x halverwege en 1x aan het eind van het seizoen.

Onvoldoende ventilatie kan tot zuurstofgebrek in de ruimte leiden. Dit kan slaperigheid en misselijkheid veroorzaken en is zeer gevaarlijk.

Als tijdens de controle vóór plaatsing gebreken zijn geconstateerd, mag u *niet* met het plaatsen van de haard beginnen voordat alle gebreken zijn verholpen.

NEDERLANDS

Technische gegevens van de Jøtul F 400:

Materiaal:	Gietijzer
Afwerking:	Zwarte/Email
Brandstof:	Hout
Max. lengte van blokken:	50 cm
Ontluchtingsysteem:	Bovenste en onderste roosters
Verbrandingssysteem:	Secundaire verbranding.
Schoorsteenaansluiting:	Boven/achter
Afmeting rookkanaal:	150 mm doorsnee
Gewicht (ongeveer):	160 kg
Optionele accessoires:	Korte poten
Afmetingen product, afstanden onbeschermd muur.	Zie afbeelding 1.

Algemene veiligheidsmaatregelen

Afstand tot muur van brandbaar materiaal en vereisten voor de vloerplaat:

Neem contact op met uw plaatselijke autoriteiten voor informatie over de lokale regelgeving en tips voor een veilige installatie volgens de wettelijke voorschriften.

De hele vloer onder de haard, en **minimaal** 300 mm daarvoor moet uit onbrandbaar materiaal bestaan. [Zie bouwreglementen.] Wij adviseren u vóór de installatie contact op te nemen met uw Jøtul-dealer.

Niet-geïsoleerde kachelpijp: Wanneer niet-geïsoleerde kachelpijpen door vloeren of muren worden geleid, moet de opening van steen of metselwerk zijn gemaakt en moet de buitenwand van de pijp minimaal 230 mm van brandbare materialen verwijderd blijven. Voor geïsoleerde kachelpijpen kan een andere afstand gelden. Raadpleeg zo nodig de brandtechnische productdocumentatie voor informatie over de kachelpijp.

Maatregelen voor brandpreventie

Elk gebruik van de haard kan een bepaald risico met zich brengen. Neem daarom de volgende instructies nauwkeurig in acht:

- Zorg ervoor dat meubel s of andere brandbare materialen niet te dicht bij de haard staan. De afstand tot de voorkant van de haard moet ten minste 600 mm bedragen.
- Laat het vuur vanzelf uitgaan. Blus het nooit met water, omdat dit de haard kan beschadigen.
- De haard wordt tijdens gebruik warm en kan bij aanraking brandwonden veroorzaken.
- De as moet naar buiten worden afgevoerd of worden weggegooid op een plek waar geen brandgevaar bestaat. Volg de plaatselijke voorschriften op.
- Elke haard moet zijn voorzien van een opslagbak van onbrandbaar materiaal als standaardaccessoire voor de afvoer van roet en as. Roet en as moeten minstens één week in deze bak blijven liggen om er zeker van te

- zijn dat de laatste smeulende resten zijn gedoofd. Wanneer u de opslagbak eerder moet legen, giet dan voldoende water in de bak voor vermenging met de as.
- U kunt de as ook bewaren. As werkt uitstekend als mest voor rozen en andere planten.

Installatie van de Jøtul F 400

Opmerking! Controleer vóór het installeren of de haard geen transportschade heeft opgelopen. Het product is zwaar! Zorg voor hulp bij het neerzetten en installeren van de haard.

Vloer

Als de Jøtul F 400 op een houten vloer wordt geplaatst, zorg er dan voor dat het draagvermogen van de vloer voldoende is voor de haard.

Schoorsteen

De haard kan worden aangesloten op een gemetselde schoorsteen, een geprefabriceerd element of een stalen schoorsteen. **Zie het afzonderlijke gedeelte.** De dwarsdoorsnede van de schoorsteen moet minstens 177 cm² bedragen. (Dat komt overeen met een diameter van 150 mm). De aansluiting op de schoorsteen moet voldoen aan de installatievoorschriften van de schoorsteenleverancier.

Luchtcirculatie

De ruimte waarin een haard wordt gebruikt, moet voldoende toevoer van frisse lucht krijgen. Als het huis tochtvrij is, moet via ventilatieopeningen extra frisse lucht naar de ruimte worden toegevoerd. Gebruik geen mechanische ventilatoren in een ruimte met een haard. Deze kunnen negatieve druk veroorzaken waardoor giftige gassen in de ruimte kunnen komen. Om dit te vermijden kunt u buitenlucht rechtstreeks naar de haard toevoeren door middel van een adapter (optionele eenheid) die op de luchtinlaat van de haard wordt gemonteerd. Daaraan wordt een flexibele slang bevestigd die naar de buitenlucht wordt geleid. De installatie-instructies worden bij de adapter geleverd.

Montage vóór plaatsing

De Jøtul F 400 wordt wereldwijd verkocht en moet daarom aan de eisen van verschillende markten voldoen. Dit betekent dat een Europese koper van de haard een aantal wijzigingen moet aanbrengen voordat het product kan worden geplaatst.

1. Binnen in de haard bevindt zich een inspectieplaat die met twee schroeven aan de rand is bevestigd. Deze inspectieplaat moet worden verwijderd en vervangen

door een soortgelijk onderdeel dat zich in de aslade bevindt. Verwijder de veiligheidsschroef (afb. 6) in het midden en bevestig deze op de nieuwe inspectieplaat met de aanduiding Europa.

Opmerking! De ring moet aan de buitenkant worden geplaatst.

- De bovenplaat is voor het transport met twee schroeven bevestigd. Deze schroeven moeten worden verwijderd vanwege de voorschriften voor een vrije toegang voor het vegen van de rookpijpen. U verwijdert de schroeven door de rookafvoer los te schroeven zodat de twee transport-schroeven, die zich in het product tussen de zijpanelen en de bovenplaat bevinden, binnen handbereik zijn.

De bovenplaat moet op de haard rusten en er niet op worden bevestigd.

- Dit product wordt in één pakket afgeleverd.
- Plaats de aslade, die onder de verbrandingskamer zit, in de groeven onder de deur.
- De verbrandingskamer bevat ook een hitteschild, dat onder de askamer moet worden gemonteerd. Vouw het hitteschild open (zie afb. 2a) en bevestig het met de twee schroeven aan de askamer (2b).
- Schroef de deurhendelknop op de hendel van de voordeur. (Afb. 3 B+C en afb. 7.)

Controle van de functies (afb. 3)

Als de haard op zijn plaats staat, controleer dan *altijd* de bedieningsfuncties. Deze moeten gemakkelijk beweegbaar zijn en naar behoren functioneren.

Stookopening (A) Links = gesloten. Rechts = volledig geopend.
Deurklink (B) = naar links is geopend, naar rechts is gesloten.

Asklep (C). Met het handvat opent u de lade door een halve cirkel linksom. Gebruik handschoenen of iets dergelijks en til de aslade omhoog.

Opmerking! Verwijder de as alleen als de haard is afgekoeld.

Plaatsing van de kachelpijp

Het is raadzaam een proefmontage uit te voeren voordat u een gat in de schoorsteen maakt. Zie **afbeelding 1** voor afmetingen tot de muur van brandbaar materiaal. De haard wordt geïnstalleerd met een kachelpijp van 150 mm doorsnee. **De pijp moet een voorgeschreven dikte hebben.**

De Jøtul F 400 is in de fabriek voorbereid voor een kachelpijp aan de bovenkant. **Als u liever kiest voor een kachelpijp aan de achterkant, draait u de twee schroeven aan de zijkanten los en draait u de aansluitpijp 180°. Draai vervolgens de schroeven goed vast.**

- De kachelpijp met een diameter van 150 mm wordt rechtstreeks op de schoorsteenuitgang van de haard gemonteerd. Aan beide zijden van de schoorsteenuitgang bevindt zich een schroef

(**afbeelding 4-A**). Hiermee wordt de kachelpijp vastgezet.

- Markeer de plek op de kachelpijp waar de schroef komt wanneer de pijp onder in de schoorsteenuitgang zit, en boor in de kachelpijp een gat van 5,5 mm voor de schroef.
- Gebruik afdichtingskoord als afdichting tussen de kachelpijp en de schoorsteenuitgang van de haard.
- Zet de kachelpijp met de schroeven vast.

Opmerking! Het is van belang dat de verbinding volledig luchtdicht wordt afgesloten. Lekkage van lucht en dergelijke kan de goede werking van de haard belemmeren.

Schoorsteenaansluiting

Boor een gat voor de kachelpijp. In afbeelding 1 is de afstand tussen de haard en de brandmuur of schoorsteen aangegeven. Gebruik altijd een schoorsteenkraag bij de aansluiting op de schoorsteen. Gebruik de door de leverancier aanbevolen schoorsteenkraag bij het aansluiten op een geprefabriceerd element. Volg de instructies voor montage en gebruik van de leverancier nauwkeurig op in verband met mortel/kachelcement voordat u de haard gaat gebruiken.

Zorg ervoor dat de kachelpijp niet scheef staat ten opzichte van de schoorsteen. Deze moet in elk geval horizontaal zijn en liefst een helling hebben van enkele millimeters.

Opmerking! Een juiste en luchtdichte aansluiting is van groot belang voor het goed functioneren van de haard.

Het is van bijzonder belang dat de aansluitingen enigszins flexibel zijn. Dit voorkomt het ontstaan van scheurtjes als de vloer enigszins zou gaan doorzakken.

Gebruiksaanwijzing

Eerste keer stoken en dagelijks gebruik

De Jøtul F 400 is een haard met schone verbranding, die door middel van een luchtkamer voor naverbranding van eventuele giftige gassen en deeltjes zorgt. Het is belangrijk dat het systeem op de juiste wijze wordt gebruikt.

De haard is voorzien van bedieningselementen zoals beschreven in het hoofdstuk: **Bediening van de functies.**

Eerste keer stoken

Maak de vulklep volledig open door deze helemaal naar rechts te draaien (**afbeelding 3-A**). Leg een paar proppen krantenpapier, wat aanmaakhout en brandhout in de kachel en maak een klein vuur. Voeg geleidelijk meer brandhout toe en laat het vuur een paar uur flink branden. Laat het vuur doven en steek de haard nogmaals aan.

Opmerking! Geuren wanneer u de haard voor het eerst gebruikt.

NEDERLANDS

Geverfde haarden: Wanneer u de haard voor het eerst gebruikt, kan irriterend gas vrijkomen, dat onaangenaam kan ruiken. Dit gas is niet giftig, maar het is het beter om een raam of een deur in de ruimte te openen om te zorgen voor extra ventilatie. Stook het vuur flink op totdat alle sporen van gas zijn verdwenen en geen rook of geuren meer zijn waar te nemen.

Geëmailleerde producten: de eerste paar keren dat de haard wordt gebruikt, kan condensatievorming op de haard plaatsvinden. Veeg dit weg om vlekken op de haard te voorkomen als het oppervlak warm wordt.

Dagelijks gebruik

Gebruik krantenpapier en enkele aanmaakhoutjes om de haard aan te steken. Leg twee middelgrote blokken hout aan weerszijden van de grondplaat. Schuif enkele proppen krantenpapier (of berkenschors) tussen de blokken, leg er enkele aanmaakhoutjes kriskras bovenop en steek het papier aan. Maak de blokken stapsgewijs groter.

Stookopening (afbeelding 3-A). Zet deze vast wanneer het hout is aangestoken en goed brandt. Controleer of er naverbranding (secundaire verbranding) plaatsvindt. Er flikkeren dan gele vlammen in de luchtkamer. Stel vervolgens de verbranding in op het gewenste verwarmingsniveau door de opening van de vulklep aan te passen (**afbeelding 2-B**).

Gebruik *altijd* goed brandhout. Dat geeft de beste resultaten en is niet schadelijk voor de haard.

Verbrand nooit de volgende materialen in de haard:

- huishoudelijk afval, plastic tassen enzovoort.
- geverfd of geïmpregneerd hout (zeer giftig)
- spaanplaat of laminaat
- drijfhout

Verbranding van deze stoffen kan schadelijk zijn voor de haard en het milieu.

Opmerking! Gebruik nooit benzine, petroleum, brandspiritus of soortgelijke brandbare vloeistoffen om het vuur aan te maken. Hierdoor kunt u letsel oplopen of kan de haard worden beschadigd.

Opmerking! Waarschuwing voor oververhitting: voorkom te allen tijde dat de haard oververhit raakt.

Oververhitting treedt op als de haard te veel brandhout bevat en/of de vulopening volledig open is.

De luchtstroom in de schoorsteen mag nooit groter zijn dan 2,5 mmVs (25 Pa). Als de haard ergens rood gloeit, betekent dit dat deze oververhit is. Als dat gebeurt, dient u de ventilatieopening onmiddellijk te sluiten.

Waarschuwing! Wacht tot het vuur smeult voordat u meer brandhout toevoegt.

Onderhoud

Glas reinigen

De Jøtul F 400 is uitgerust met een luchttoevoervoorziening (stromende lucht). Lucht wordt aangezogen door de luchttoevoer boven de haard en stroomt langs de binnenkant van het glas naar beneden. Voordeel van dit systeem is, dat de verbranding wordt verbeterd en dat de roetaanslag op het glas wordt beperkt.

Toch zal zich altijd wel roet op het glas ophopen. De hoeveelheid is afhankelijk van de luchtstroom ter plaatse en de stand van de vulklep. De roetlaag wordt gewoonlijk grotendeels weggebrand wanneer de vulklep helemaal open staat en de haard flink brandt.

Goed advies! Maak voor een gewone schoonmaakbeurt een papieren handdoek nat met warm water en voeg er wat as uit de stookplaats aan toe. Wrijf met het papier over het glas en neem het glas daarna af met schoon water. Wanneer het glas grondig moet worden gereinigd, adviseren wij om een glasreiniger te gebruiken (volg de gebruiksaanwijzing op het flesje).

As verwijderen

De Jøtul F 400 is voorzien van een aslade, waarmee u de as eenvoudig kunt verwijderen. Schraap de as door het rooster van de grondplaat in de aslade. Gebruik een handschoen of dergelijke om het handvat van de aslade vast te pakken en breng de as weg. Zorg dat de aslade niet zo vol raakt dat de as niet meer door het rooster in de aslade kan komen.

Zorg dat de klep van de aslade goed gesloten is wanneer de haard wordt gebruikt.

Zie ook het gedeelte onder **Maatregelen voor brandpreventie** voor het omgaan met asresten.

Reinigen en roet verwijderen

Tijdens gebruik kan zich roet afzetten op de binnenwanden van de haard. Roet werkt isolerend en kan daardoor de warmteafgifte van de haard verminderen.

Een jaarlijkse schoonmaakbeurt is nodig voor een optimale warmteafgifte van het product. U kunt dit bijvoorbeeld doen als de schoorsteen en de kachelpijp worden geveegd.

Kachelpijpen naar de schoorsteen vegen

U kunt vegen via het veegluik in de kachelpijp of de bovenplaat verwijderen en via de rookafvoer vegen.

Haard inspecteren

Jøtul raadt u aan om na het reinigen/vegen zelf een grondige inspectie van de haard uit te voeren. Controleer alle zichtbare oppervlakken op scheuren. Controleer ook

of de deur- en glasafdichtingen luchtdicht afsluiten en of de pakkingen nog op hun plaats zitten. Pakkingen die sporen van slijtage of vervorming vertonen, moeten worden vervangen.

Maak de pakkingsgroeven grondig schoon, breng keramische lijm aan (te verkrijgen bij uw Jøtul-dealer) en druk de pakking goed in de groef. De lijm heeft een korte droogtijd.

Onderhoud buitenkant

Bij *haarden met een laklaag* kan na een paar jaar verkleuring optreden. Voordat u een nieuwe laag **Jøtul-haardverf** aanbrengt, moet u alle losse deeltjes verwijderen.

Geëmailleerde haarden moet u alleen met een schone, droge doek afnemen. Gebruik geen water en zeep. Eventuele vlekken kunt u met een vloeibaar reinigingsmiddel verwijderen (zoals een ovenreiniger).

Lengte, aantal en kwaliteit van houtblokken

De blokken mogen maximaal 50 cm lang zijn. Leg de blokken parallel aan de achterwand van de verbrandingskamer. De warmteafgifte van een Jøtul F 400 bedraagt nominale capaciteit **7,0 kWh**. Uit berekeningen is gebleken dat voor de nominale warmteafgifte **2,8 kg** goed brandhout per uur nodig is.

Jøtuls definitie van goed brandhout

Goed brandhout moet droog zijn, dat wil zeggen dat het hout ongeveer 20 à 25% water mag bevatten.

Dit bereikt u door het hout uiterlijk aan het einde van de winter of vroeg in het voorjaar te kappen. Daarna moet het worden gespleten en opgestapeld om het goed te drogen. De stapels moeten worden afgedekt om opname van regenwater te voorkomen. Haal de blokken hout in de herfst naar binnen voor gebruik tijdens het stookseizoen.

Met goed brandhout bedoelen we de bekende houtsoorten, zoals berken-, beuken- en eikenhout.

De hoeveelheid energie die 1 kg hout kan leveren, varieert niet veel. Het soortelijk gewicht van de verschillende houtsoorten verschilt daarentegen aanzienlijk. Zo levert een bepaalde hoeveelheid berkenhout minder kWh op dan dezelfde hoeveelheid eikenhout, dat een hoger soortelijk gewicht heeft.

De hoeveelheid energie van 1 kg goed brandhout bedraagt ongeveer 3,8 kWh. 1 kg volledig droog hout (0% vocht) levert ongeveer 5 kWh op, terwijl hout met 60% vocht slechts 1,5 kWh per kg oplevert.

Groot onderhoud

De branderplaten vervangen

- De haard is aan de zijkanten voorzien van branderplaten, die worden bevestigd met schroeven. De branderplaat aan de achterkant wordt niet vastgezet, maar wordt op zijn plaats gehouden door de branderplaten aan de zijkanten.
- Verwijder bij vervanging eerst de keerplaat en schroef vervolgens de schroeven los en verwijder de branderplaten.

De keerplaat vervangen

- Verwijder de bovenkant.
- De keerplaat ligt boven op de branderplaten.
- Draai de beugels los die de keerplaat tegen de branderplaten drukken om de keerplaat te verwijderen. Tik ze met een hamer voorzichtig naar buiten richting de deuren. **Zie afb. 5.**
- Til de keerplaat op en verwijder deze op zijn kant via de bovenkant.
- Volg dezelfde procedure in omgekeerde volgorde om de keerplaat opnieuw te plaatsen.

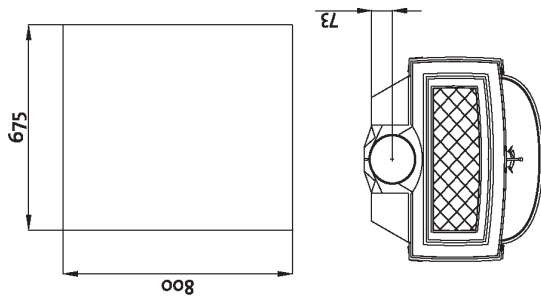
Optionele accessoires

Korte poten- 155 mm

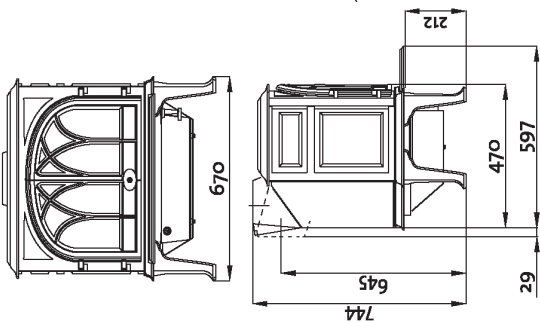
Zwarte verf -	bestelnr. 350173
Blauwzwarte email -	bestelnr. 350174
Oceaangroene email -	bestelnr. 350328
Ivoor email -	bestelnr. 350176

FIG. 1

Min. mål gulvplate
Min. measure floorplate

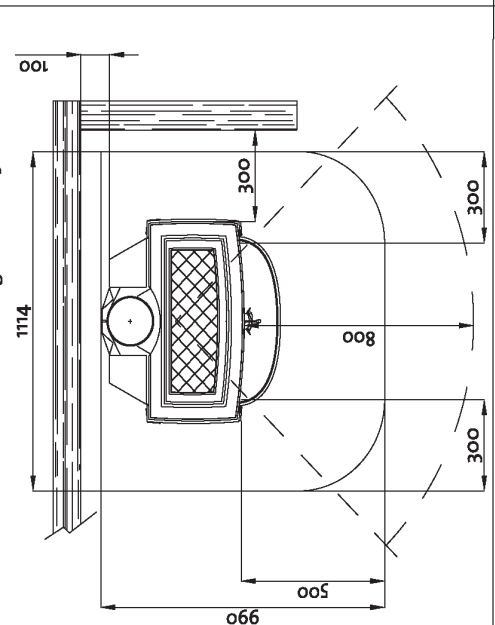


Produkt
Product



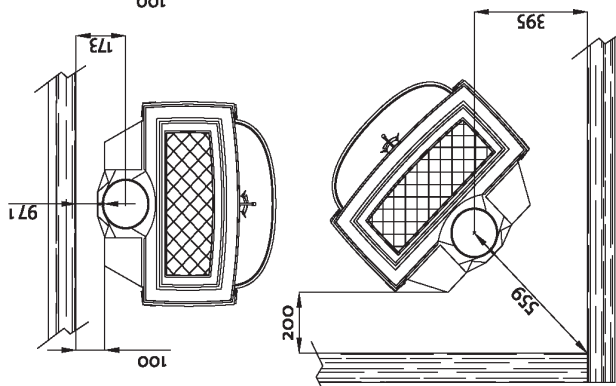
Målene gjelder ubehandlede produkter. Etter lakering eller emaljering kan målene variere noe.
Dimensions refer to untreated products. After painting or enamelling dimensions may have small divergences.

Measurements according to DIN 18891

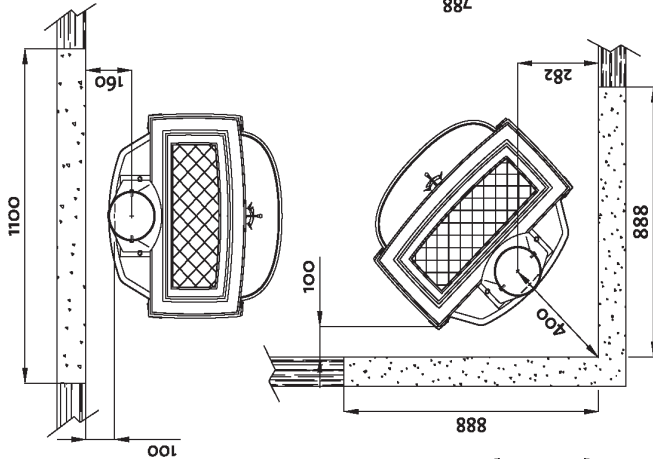


Jøtul F 400

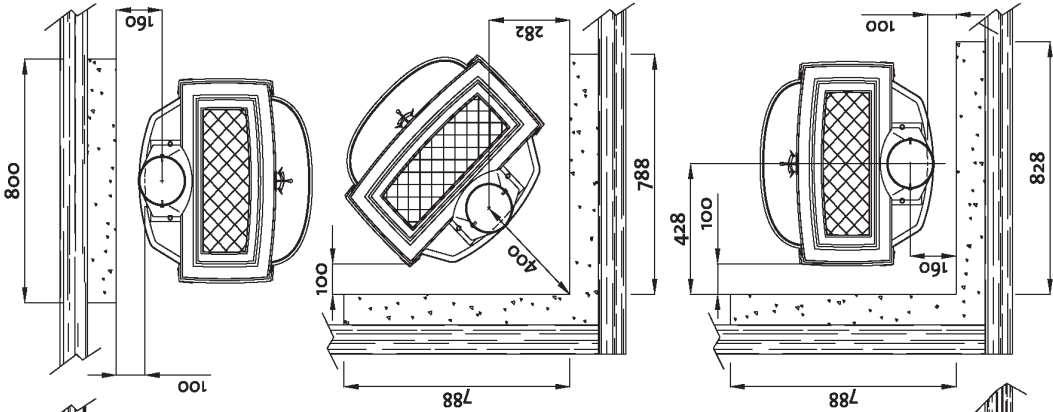
Vegg av brennbart materiale med skjermplate
Wall of combustible material heat shield needed



Innfelt brannmur uten skjermplate bak
Integrated brickwall (for Norway)



Utenpåliggende brannmur uten skjermplate bak
External brickwall (for Norway)



1 Røykrøret må skjermes når avstand fra ytterkant røykrør til vegg av brennbart materiale er mindre enn 300 mm.

1 Flue pipe has to be shielded if the distance between outeredge of flue pipe and wall of combustible material is less than 300 mm.

Fig. 2a

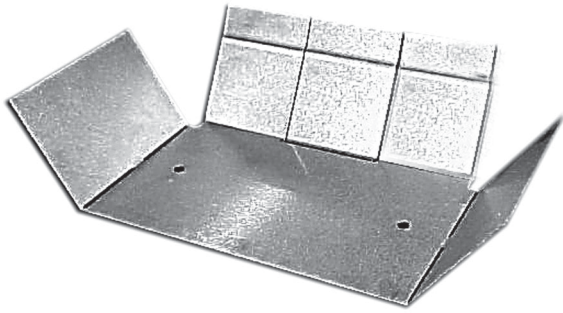


Fig. 2b

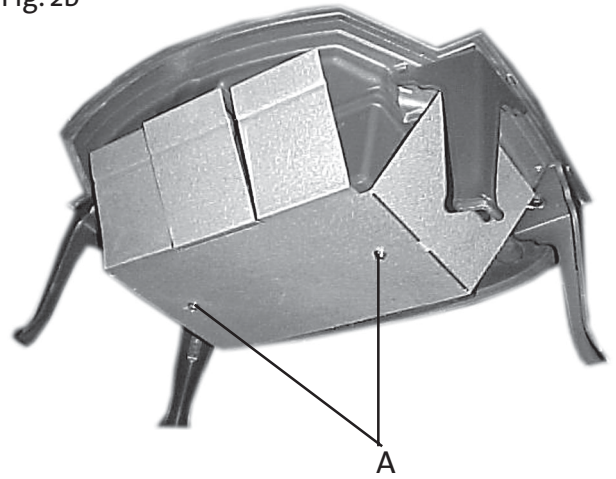


Fig. 3



Fig. 4

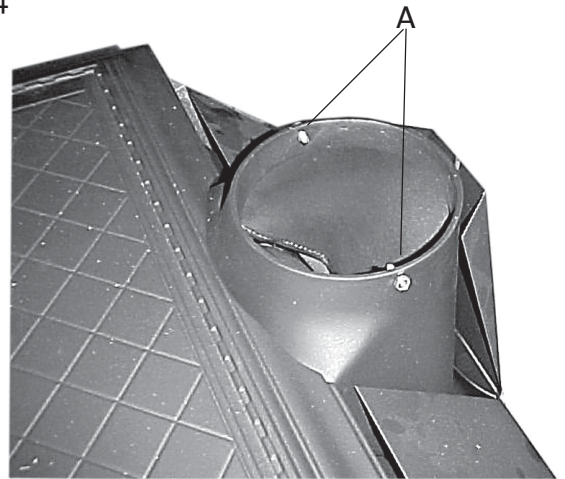


Fig. 6

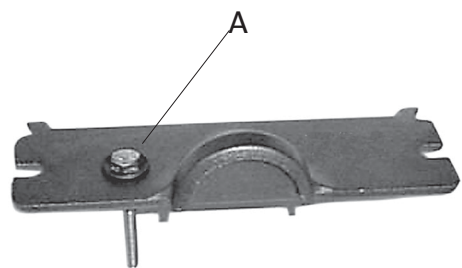


Fig. 5

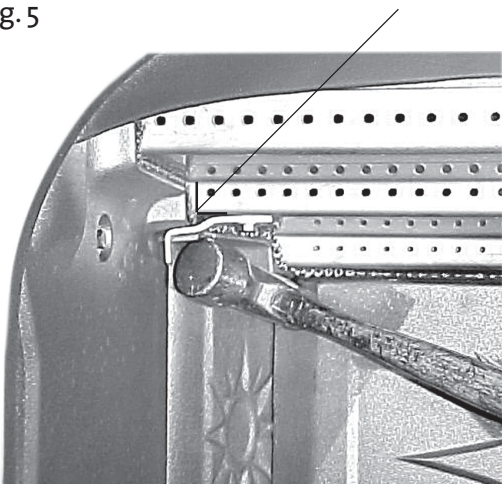


Fig. 7



Jøtul arbeider kontinuerlig for om mulig å forbedre sine produkter, og vi forbeholder oss rett til å endre spesifikasjoner, farger og utstyr uten nærmere kunngjøring.

Jøtul bemüht sich ständig um die Verbesserung seiner Produkte, deshalb können Spezifikationen, Farben und Zubehör von den Abbildungen und den Beschreibungen in der Broschüre abweichen.

Jøtul pursue a policy of constant product development. Products supplied may therefore differ in specification, colour and type of accessories from those illustrated and described in the manual.

Jøtul vise sans cesse à améliorer ses produits. C'est pourquoi, il se réserve le droit de modifier les spécifications, couleurs et équipements sans avis préalable.

Kvalitet

Jøtul AS arbeider etter et kvalitetssikringssystem basert på NS-EN ISO 9001 for utvikling, produksjon og salg av ildsteder. Vår kvalitetspolitikk skal gi kundene den trygghet og kvalitetsopplevelse som Jøtul har stått for siden bedriftens historie startet i 1853.

Qualität

Jøtul AS hat ein Qualitätssicherungssystem, das sich bei Entwicklung, Produktion und Verkauf von Öfen und Kaminen nach NS-EN ISO 9001 richtet. Diese Qualitätspolitik vermittelt unseren Kunden ein Gefühl von Sicherheit und Qualität, für das Jøtul mit seiner langjährigen Erfahrung seit der Firmengründung im Jahre 1853 steht.

Quality

Jøtul AS has a quality system that conforms to NS-EN ISO 9001 for product development, manufacturing, and distribution of stoves and fireplaces. This policy gives our customers quality and safety piece of mind as a result of Jøtul's vast experience dating back to when the company first started in 1853.

Qualité

Le système de contrôle de la qualité de Jøtul AS est conforme à la norme NS-EN ISO 9001 relative à la conception, à la fabrication et à la distribution de poêles, foyers et inserts. Cette politique nous permet d'offrir à nos clients une qualité et une sécurité reposant sur la vaste expérience accumulée par Jøtul depuis sa création en 1853.

Dette ildstedet er kontrollert av:
Dieses Produkt ist geprüft von:
This product has been controlled by:
Ce produit a été contrôlé par:



Jøtul AS,
P.o. box 1411
N-1602 Fredrikstad,
Norway

_____ Date:

_____ Sign.

Free Manuals Download Website

<http://myh66.com>

<http://usermanuals.us>

<http://www.somanuals.com>

<http://www.4manuals.cc>

<http://www.manual-lib.com>

<http://www.404manual.com>

<http://www.luxmanual.com>

<http://aubethermostatmanual.com>

Golf course search by state

<http://golfingnear.com>

Email search by domain

<http://emailbydomain.com>

Auto manuals search

<http://auto.somanuals.com>

TV manuals search

<http://tv.somanuals.com>