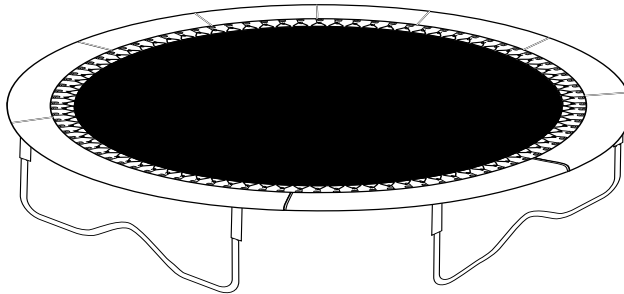


# JUMP KING<sup>®</sup>



**PRODUCT MODEL JTR6  
Round 6' Diameter Trampoline**

## **Users Manual**

**ASSEMBLY, SAFETY, CARE AND MAINTENANCE,  
USE, AND INSTRUCTIONAL MATERIALS ENCLOSED.**

**WARNING:** USING THIS TRAMPOLINE EXPOSES YOU TO THE RISK OF SERIOUS INJURY, INCLUDING PERMANENT PARALYSIS OR EVEN DEATH FROM LANDING ON THE BACK, NECK OR HEAD. THIS RISK EXISTS EVEN IF YOU LAND ON THE TRAMPOLINE MAT (BED). READ THIS MANUAL AND ALL MATERIALS FURNISHED WITH THE TRAMPOLINE THOROUGHLY BEFORE ASSEMBLING OR ALLOWING ANY PERSON TO USE THE TRAMPOLINE. RETAIN THIS MANUAL FOR FUTURE REFERENCE.

COPYRIGHT © 9/93

# WARNING

All Jumpking trampolines come equipped with important information regarding proper assembly, usage and safety procedures. This information must be read by all supervisors and trampoline users before allowing any person to jump on a trampoline.

## Jumpking, Inc. Limited Trampoline Warranty

Jumpking, Inc. (Jumpking) warrants its trampoline products to be free from defects in material and workmanship under normal use and service conditions. The various component parts of the trampoline are warranted against defects and workmanship as follows:

- A. Steel frame - ten (10) years;
- B. Sewing on stitched jumping mat (bed) - two (2) years;
- C. Stitched or stitchless jumping mat (bed) is warranted one hundred percent (100%) the first year, fifty percent (50%) for the second year, thirty-five percent (35%) for the third year, twenty percent (20%) for the fourth year, and ten percent (10%) during the fifth year; and
- D. Frame pads and springs - thirty (30) days.

All warranty coverage extends only to the original retail purchaser from the date of purchase. Jumpking's obligation under this Warranty is limited to replacing or repairing, at Jumpking's option, the product at one of its authorized service centers. All products for which a warranty claim is made must be received by Jumpking at one of its authorized service centers, freight prepaid, and accompanied by sufficient proof of purchase. All returns must be preauthorized by Jumpking. Preauthorization may be obtained by calling Jumpking's Customer Service Department at 1-800-322-2211. This Warranty does not extend to any product or damage to a product caused by or attributable to freight damage, abuse, misuse, improper or abnormal usage, or repairs not provided by a Jumpking authorized service center or for products used for commercial or rental purposes. No other Warranty beyond that specifically set forth above is authorized by Jumpking.

JUMPKING IS NOT RESPONSIBLE OR LIABLE FOR INDIRECT, SPECIAL OR CONSEQUENTIAL DAMAGES ARISING OUT OF OR IN CONNECTION WITH THE USE OR PERFORMANCE OF THE PRODUCT OR OTHER DAMAGES WITH RESPECT TO ANY ECONOMIC LOSS, LOSS OF PROPERTY, LOSS OF REVENUE OR PROFITS, LOSS OF ENJOYMENT OR USE, COST OF REMOVAL, INSTALLATION OR OTHER CONSEQUENTIAL DAMAGES. SOME STATES DO NOT ALLOW THE EXCLUSION OR LIMITATION OF INCIDENTAL OR CONSEQUENTIAL DAMAGES. ACCORDINGLY, THE ABOVE LIMITATION MAY NOT APPLY TO YOU.

THE WARRANTY EXTENDED HEREUNDER IS IN LIEU OF ALL OTHER WARRANTIES AND ANY IMPLIED WARRANTY OF MERCHANTABILITY OR FITNESS FOR A PARTICULAR PURPOSE IS LIMITED IN ITS SCOPE AND DURATION TO THE TERMS SET FORTH HEREIN. SOME STATES DO NOT ALLOW LIMITATIONS ON HOW LONG AN IMPLIED WARRANTY LASTS. ACCORDINGLY, THE ABOVE LIMITATION MAY NOT APPLY TO YOU.

This warranty gives you specific legal rights. You may also have other rights which vary from state to state.

USE OF ANY TRAMPOLINE EXPOSES THE USER TO THE RISK OF SERIOUS INJURY, INCLUDING PERMANENT PARALYSIS OR EVEN DEATH FROM LANDING ON THE BACK, NECK OR HEAD. USE OF A TRAMPOLINE SHOULD ALWAYS BE UNDER THE DIRECT SUPERVISION OF A QUALIFIED INSTRUCTOR. ALWAYS FOLLOW THE INSTRUCTIONS AND WARNINGS PROVIDED WITH YOUR TRAMPOLINE.

Copyright © 11/92 Jumpking, Inc.

# BEFORE YOU BEGIN

## ***Thank you for selecting a Jumping Trampoline.***

The Jumping Trampoline is designed and crafted to provide you and your family with many years of fun and fitness.

### **For your benefit and safety, read this manual carefully before using this trampoline.**

If you have additional questions, please call our Customer Service Department, toll-free, at **1-800-322-2211**, Monday through Friday, 8 a.m. until 5 p.m. Central Time (excluding holidays).

#### **WARNING:**

USING THIS TRAMPOLINE EXPOSES YOU TO THE RISK OF SERIOUS INJURY, INCLUDING PERMANENT PARALYSIS OR EVEN DEATH FROM LANDING ON THE BACK, NECK OR HEAD. THIS RISK EXISTS EVEN IF YOU LAND ON THE TRAMPOLINE MAT (BED).

1. Misuse and abuse of this trampoline is dangerous and can cause serious injuries. This trampoline (JTR6) is intended for light recreational use by children weighing up to 100 lbs. as a jumping device and by adults up to 225 lbs. as a jogging device.
2. Trampolines are rebounding devices which propel the user to unaccustomed heights, and into a variety of body movements. Rebounding off of the trampoline, striking the frame or springs, or improperly landing on the trampoline mat (bed) may cause injury.
3. Read all instructions thoroughly before using this trampoline, or allowing its use by any person. Children should not be allowed to use this trampoline without close adult supervision.
4. Inspect the trampoline before each use, and replace any worn, defective or missing parts.
5. All purchasers and all persons using the trampoline must become familiar with the manufacturer's recommendations for the proper assembly, use, and care of the trampoline. Each user must also be alert to his or her own limitations in the use of this device. Assembly instructions, selected precautions, recommended usage, and suggestions for the care and maintenance of the trampoline are included in this user's manual to promote safe and enjoyable use of this equipment.
6. It is the responsibility of the owner to insure that all users of this trampoline are adequately informed of all warnings and safety instructions.
7. **Never allow more than one (1) person on the trampoline at a time. This trampoline is not a gymnastic device. Do not perform or allow any gymnastic maneuvers such as flips or somersaults. Jumping or jogging are the only activities to be conducted on this trampoline.**

## ASSEMBLY INSTRUCTIONS

This trampoline does not require any tools to assemble. It can easily be disassembled for compact and convenient storage during periods of nonuse.

Before assembling:

1. The assembly instructions reference parts by name and by part number. Please refer to Page 12 for part descriptions and numbers.
2. Make sure that all parts listed in the parts list are included.
3. The trampoline must be placed on a level surface. Indoors it should be placed on carpet. Outdoors it should be placed on grass.
4. Adequate horizontal and vertical (overhead) clearance must be maintained from objects and possible hazards including electric power wiring, tree limbs, ceilings, and furniture.
5. There must be no obstructions beneath the trampoline.
6. The trampoline must always be used in a well-lighted area.
7. The use of gloves to protect your hands from pinch points during assembly and disassembly is recommended.

# ASSEMBLY STEPS

Read through all assembly steps carefully before beginning the assembly process. Refer to drawings for clarification. No additional tools are required for assembly. The use of gloves is recommended.

## Step 1:

Lay out all frame sections in a circle (See Fig. 1).

The frame sections consist of 3 components:

Top rail - 4 pieces

(part no. JTR6TR)

Top rail with leg sockets - 4 pieces

(part no. JTR6TRS)

Leg base - 4 pieces

(part no. JTR6L)

These are all interchangeable and have no “left hand” or “right hand” orientation. All connections consist of sliding a section tube end into a slightly larger tube end on the adjacent section. These are called slip joints.

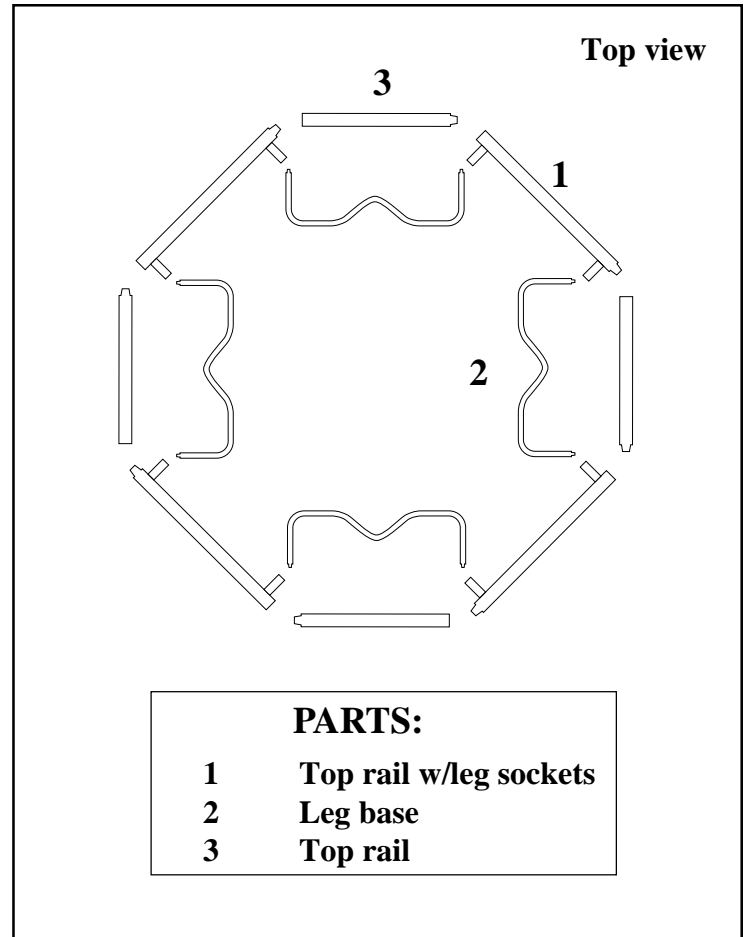


FIGURE 1

## Step 2:

The frame will be assembled upside down. This means all leg sockets will be facing away from the assembly surface (See Fig. 2). First insert the end of a top rail without leg sockets into the corresponding end of a top rail with leg sockets (Step 1). Then attach another top rail with leg sockets to the top rail without leg sockets (Step 2). Then put a “W” shaped leg into the two leg sockets closest to each other (Step 3). The leg will now span the top rail without sockets and connect the two top rails with sockets. Continue adding top rail pieces and legs in the previously described fashion.

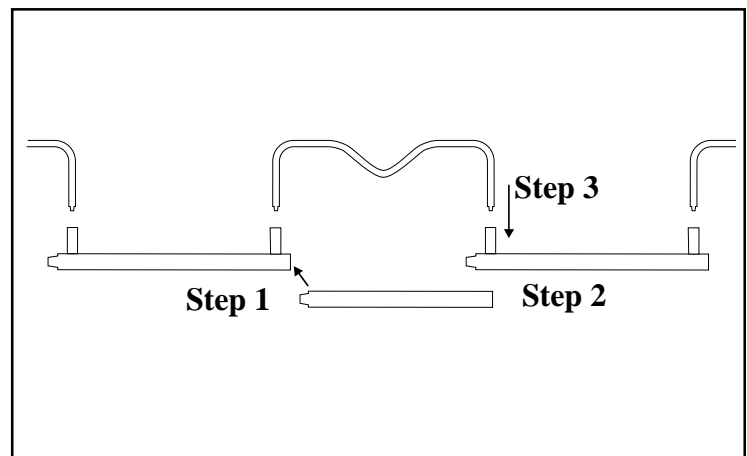


FIGURE 2

### Step 3:

After the metal frame has been assembled it must be turned over so the base of the legs is in contact with the assembly surface. Stand outside the frame circle and lift one edge of the top rail to a vertical position. The frame is now like a coin on edge with the legs facing away from you. Rotate the frame until the legs face you and slowly lower the assembly to the ground or floor. When lowering the unit, grab both upper legs to prevent them from dropping out of their sockets as the frame is lowered. Now check all connections to see that they are fully seated and aligned (See Fig. 3).

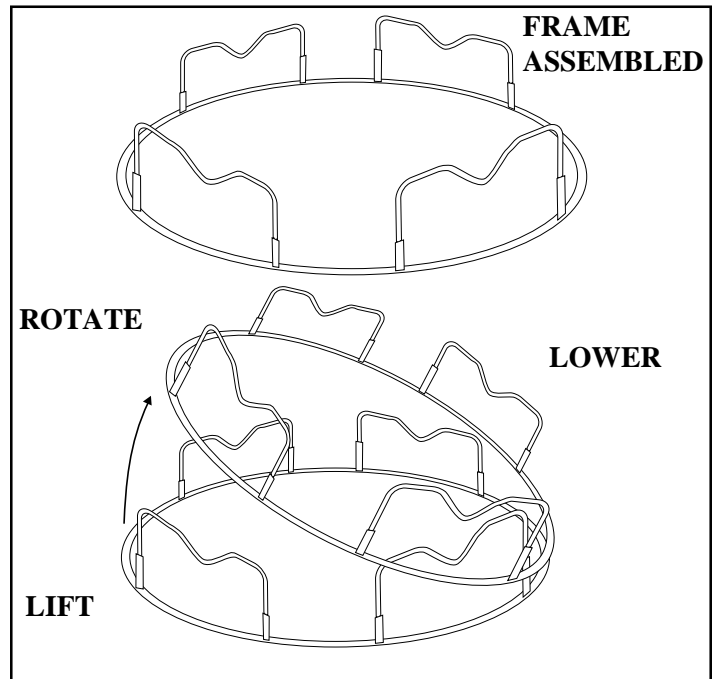


FIGURE 3

### Step 4:

It is best to use a spring as a tool to pull and attach the springs (part no. JTR6S) from the "V" ring on the bed (mat) to the frame holes. Using your hand can lead to getting "pinched" and also doesn't properly tension the spring. Attach the spring to the "V" ring and using the "pull tool", pull the attachment spring to the frame by inter-connecting spring hooks and pulling with one hand. When the attachment spring hook reaches the frame, use your other hand to push it into the frame hole while disengaging the "pull tool" (See Fig. 4).

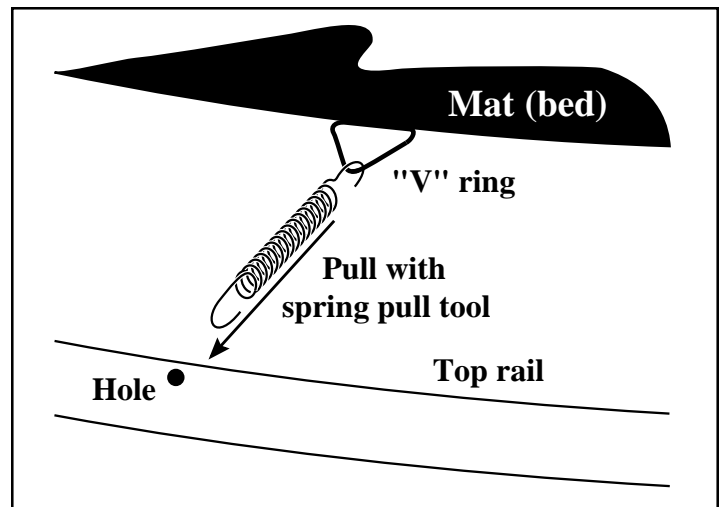


FIGURE 4

### Step 5:

Lay the jumping mat (bed) (part no. JTR6B) inside the frame. Springs are used to support the mat (bed) and are connected between "V" rings on the mat (bed) and holes in the top frame rail. There are 48 "V" rings on the mat (bed) that have to line up with corresponding holes on the top frame rail. These are not numbered. To make sure they eventually all line up, pick an arbitrary point and call it zero or 12 o'clock. Connect a spring between the "V" ring and the frame hole at this point (See Fig. 5).

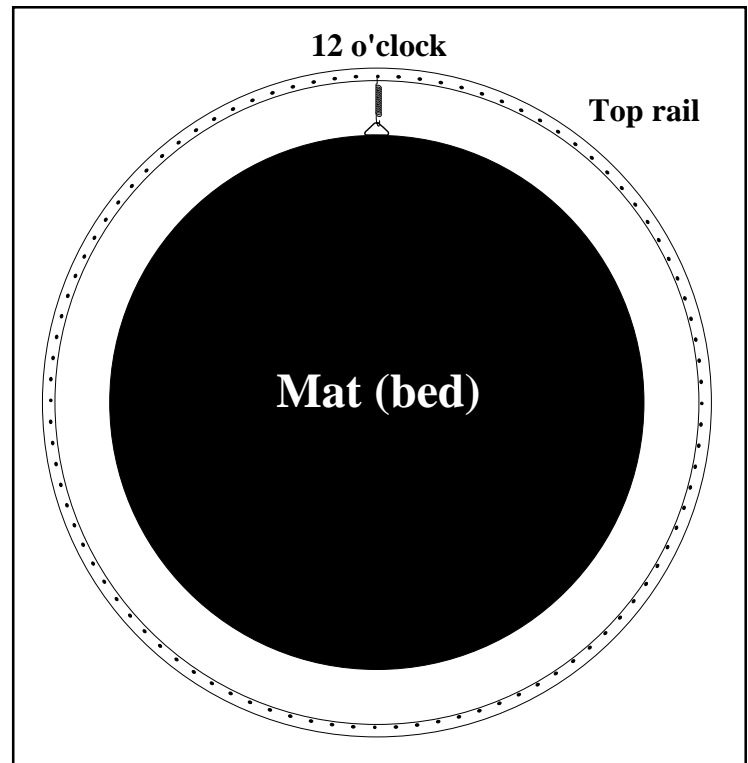


FIGURE 5

### Step 6:

Now count 12 holes and "V" rings in a clockwise direction. Attach a spring. You should be at hole 12 or 3 o'clock. Count another 12 holes and "V" rings in a clockwise direction. Attach a spring. You should be at hole 24 or 6 o'clock. Count another 12 holes and "V" rings clockwise and attach a spring. You should be at hole 36 or 9 o'clock. At this point, you should have 4 springs installed at 12, 3, 6, and 9 o'clock (See Fig. 6). This equal tension procedure is essential to properly attach the mat (bed) to the frame.

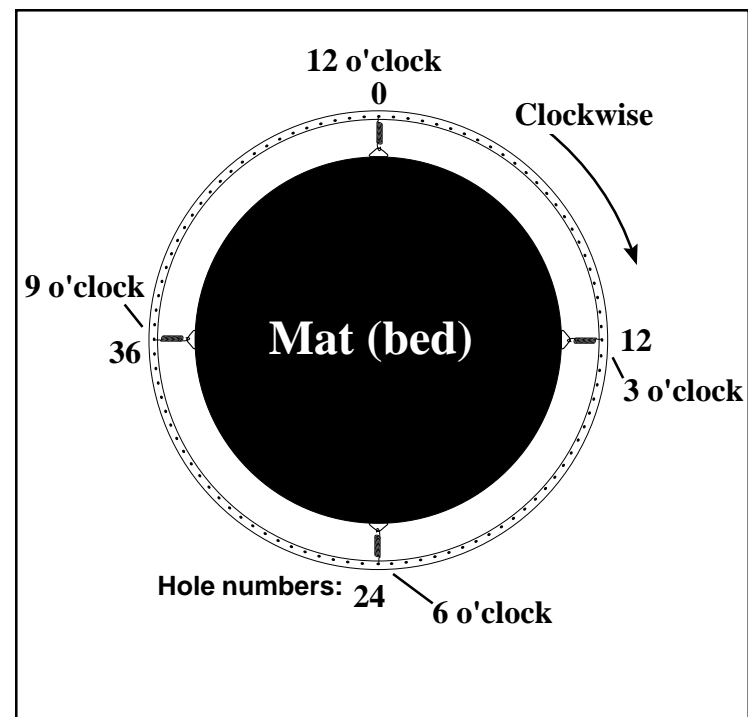


FIGURE 6

## Step 7:

To install the rest of the springs, follow the above procedures in the following steps:

- a. Attach springs every 6 holes/"V" rings (springs now at 6, 18, 30, 42).
- b. Attach springs every 3 holes/"V" rings (springs now at 3, 9, 15, 21, 27, 33, 39, 45).
- c. You now have a two spring gap between the installed springs. Install one spring in each gap in a circular sequential fashion. Now install the remaining springs.

As you go through the above procedure, make sure you haven't skipped a hole/"V" ring alignment. If this happens, recount and remove/reattach springs as required to re-establish the proper alignment.

### Caution:

As you perform the spring attachment procedure, be aware that frame member slip joints can become "pinch" points. Be careful how you place your hands in these areas.

## Step 8:

Now attach the yellow warning placard using the enclosed tie wrap. Place it at the point where you will normally mount the trampoline. The tie wrap should go around a vertical frame joint and a top rail to keep it from moving laterally.

## Step 9:

Lay the one-piece frame pad (part no. JTR6PW) on the trampoline so it covers the frame and springs. Make sure the pad completely covers the frame. The pad has six (6) sets of attachment straps. Using the plastic strap buckles and following the instructions enclosed with them, buckle one set of straps around the top frame rail at an initial spot which is designated 12 o'clock. Next buckle the straps at 4 o'clock, and 8 o'clock. Now buckle the three remaining sets of straps in a sequential clockwise fashion. Do not tighten and final-secure the buckles until the pad is equally positioned and tensioned.

## ASSEMBLY IS NOW COMPLETE.

Make sure that all parts are securely assembled. Familiarize yourself and all users of the trampoline with the care and maintenance instructions, use and instructional materials, and warranty and safety precautions contained in this manual before using the trampoline.

**CAUTION:** Use of this trampoline is not recommended without the frame pad, which is designed to reduce the likelihood of injury to the user from coming into contact with the frame of the trampoline. If you do not have a frame pad, contact your dealer to obtain a frame pad. Properly install the frame pad before using the trampoline.

# CARE AND MAINTENANCE

Your trampoline is manufactured using quality materials and is finely-crafted to provide you and your family with many years of enjoyment and exercise. Proper maintenance and care will help to prolong the life of the trampoline and reduce the possibility of injury. The following guidelines should always be observed.

1. Inspect the trampoline before each use, and replace any worn, defective or missing parts. The following conditions present potential hazards and increase the danger of personal injury:

- a. Punctures, holes or tears in the trampoline mat (bed).
- b. Deterioration in any stitching of the mat (bed).
- c. Bent or broken frame or legs.
- d. Ruptured or missing springs.
- e. Missing or insecurely attached frame pad.
- f. Sagging jumping mat (bed).
- g. Sharp protrusions on the frame or suspension system.

**If any of these conditions exist, the trampoline should be disassembled or otherwise protected against use until the condition is remedied.**

2. The trampoline mat (bed) material and the frame pads can be damaged by extreme heat. Keep the trampoline away from fire, sparks and fireworks.

3. Do not allow family pets on the trampoline, as claws may snag and pull the mat material or damage the frame pad.

4. The trampoline is intended to be used by one person at a time. It is intended to be used for light recreational purposes. The user should be either barefoot, in stockings, or wearing gymnastic shoes. Street shoes or tennis shoes should not be worn on the trampoline. The user should remove all sharp objects from their person which may cause injury or damage to the trampoline mat (bed). Heavy, sharp or pointed hard objects should not contact the mat (bed) surface.



# TRAMPOLINE SAFETY

## SAFETY PRECAUTIONS

1. When used indoors or outdoors, ensure adequate horizontal and vertical (overhead) clearance from electric power wiring, tree limbs, ceilings, furniture, and other possible hazards.
2. The trampoline must be placed on a level surface before use. Place on carpet when used indoors. Place on grass when used outdoors.
3. The trampoline must always be used in a well-lighted area. If artificial illumination is provided, it is recommended that such illumination meet the standards of 50 fc (538 lx) as recommended for gymnasiums and fieldhouses in I.E.S. Recommended Practice RP-6.
4. There must be no obstructions beneath the trampoline.
5. The surface of the trampoline mat (bed) must be clean and dry.
6. Wind or air movement must be calm. The trampoline must not be used in gusty or severe winds.
7. The person responsible for the use of the trampoline shall make all users aware of the rules, instructions, and warnings contained in this manual and on the trampoline labels and placards.

## CAUTION SHOULD BE USED TO AVOID THE FOLLOWING TYPES OF ACCIDENTS

1. Abrasions or "mat burns" caused by sliding or incorrect contact with the trampoline mat (bed).
2. Stepping, falling or landing between the springs and frame. Attach the frame pad before use.
3. Falling off, or rebounding off, of the trampoline.
4. Landing incorrectly on the trampoline mat (bed).
5. Striking some overhead object or other hazard too close to the trampoline.

## USER'S ROLE IN PREVENTING ACCIDENTS

Education on the part of the user is a must for safety. The user must understand that he/she has to first learn a low, controlled bounce. He/she must understand why he/she has to master "control". Lack of basic skills and knowledge is the greatest single cause of injury.

## OWNER'S ROLE IN PREVENTING ACCIDENTS

It is not uncommon for trampolines to be informally used in a home or backyard setting. If so, it is the responsibility of the owner or other person responsible for the trampoline to ensure that young or inexperienced persons use the trampoline only under mature supervision, that the warnings and cautions set forth in this manual are made known to all such prospective users, and that the rules are enforced in order to minimize the likelihood of accidents and injuries. This may require, during periods of time when supervision is unavailable or inadequate, that the trampoline be disassembled, placed in a secure area, or otherwise secured against unauthorized use. One option which may be considered is tipping the trampoline up against the side of a structure and securing it at the top with a locking device. It is also the responsibility of the owner to post the Safety Instruction Placard on the trampoline and make sure that all users are properly informed of these rules along with all warnings and safety instructions.

## OWNER'S ROLE IN PREVENTING ACCIDENTS

The supervisor or owner must teach the fundamentals, supervise the users, and enforce the rules. Strict supervision and enforcement of the rules will help minimize the likelihood of accidents or injuries. The supervisor must be in direct charge of any activity on the trampoline.

Nearly every activity has rules or regulations which govern play or exercise. The rules set forth in this manual may not, by themselves, make such an activity safe. However, it is the responsibility of all concerned to see that the rules become an integral part of the activity. Participants should not only know what the rules say, but should understand the reason behind each rule. The rules should be understood by the participant early in the activity and periodically reviewed. Strict compliance with the following basic rules is the best known method for accident prevention.

## RULES

**WARNING: USING THIS TRAMPOLINE EXPOSES YOU TO THE RISK OF SERIOUS INJURY, INCLUDING PERMANENT PARALYSIS OR EVEN DEATH FROM LANDING ON THE BACK, NECK OR HEAD. THIS RISK EXISTS EVEN IF YOU LAND ON THE TRAMPOLINE MAT (BED).**

1. Read and understand the User's Manual and all materials furnished with this trampoline before using.
2. Use this trampoline only with mature, knowledgeable supervision.
3. **This trampoline is not a gymnastic device. Do not perform or allow any person to perform any gymnastic maneuvers such as flips or somersaults. Jumping and jogging are the only activities to be conducted on this trampoline.**
4. Permit only one person at a time on the trampoline. Two (2) or more people create additional risks of injury due to collisions, being bounced off the trampoline, and unexpected responses by the trampoline mat (bed).
5. **DO NOT** use the trampoline when under the influence of drugs or alcohol.
6. **DO NOT** use the trampoline as a springboard to or from other objects.
7. Stop your bounce by flexing your knees as your feet come in contact with the trampoline mat (bed).
8. Secure the trampoline against unauthorized and unsupervised use.
9. Learn fundamental bounces and body control for jumping or jogging.
10. Step or climb on and off the trampoline. **DO NOT JUMP ON OR OFF THE TRAMPOLINE.**
11. Avoid bouncing too high or for too long. Always control your bounce.
12. Focus your eyes on the trampoline. Failure to do so may result in a lack of balance and control.
13. Keep objects away that could interfere with the performer. Maintain adequate overhead clearance. There must be no obstructions beneath the trampoline.
14. Use only when the trampoline mat is clean and dry. A wet mat is extremely slick and prevents a controlled bounce, as well as a stable landing. A worn or damaged mat should be replaced immediately.

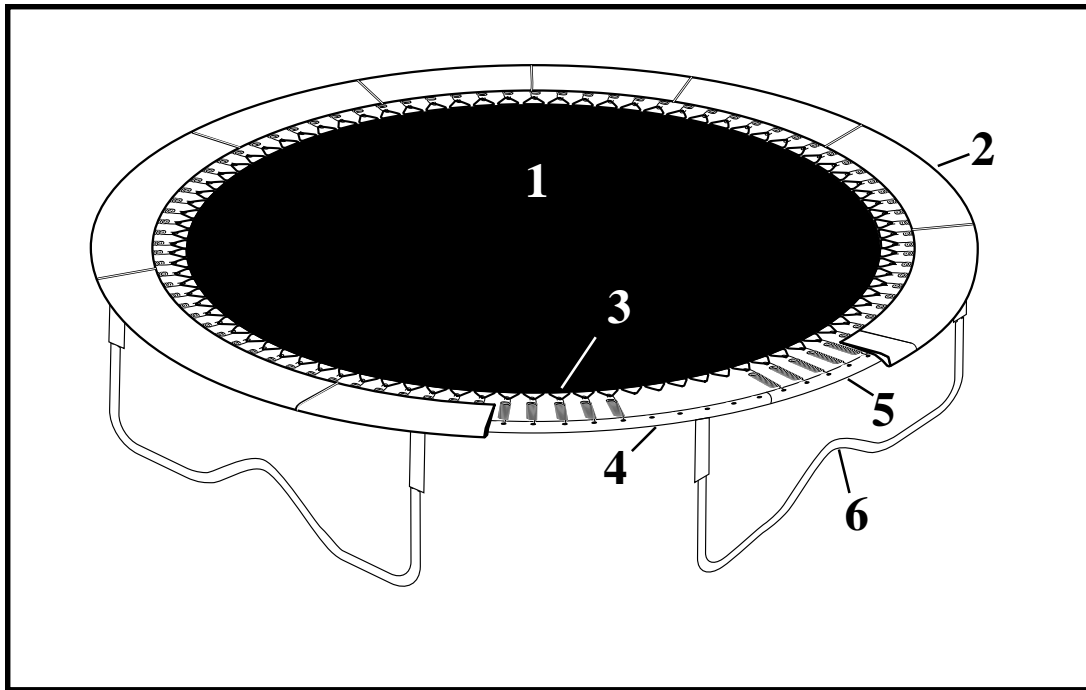
# BASIC JUMPING TECHNIQUE

## FUNDAMENTAL BOUNCE

1. Start from standing position with head erect and eyes on mat.
2. Swing arms forward and up in a circular motion.
3. Bring feet together and point toes downward while in the air.
4. Keep feet about 15 inches apart when landing on mat.



## Exploded Drawing and Part List for Model JTR6, Round 6' Diameter Trampoline.



### Replacement Parts

<u>Part Number</u>	<u>Needed Quantity</u>	<u>Description</u>	<u>Drawing Reference Number</u>
JTR6B	( 1 )	5'-6" dia. bed stitched w/48 V-rings	(1)
JTR6PW	( 1 )	8" wide frame pad	(2)
JTR6S	(48)	set of 48, 5-1/2" galvanized springs	(3)
JTR6TRS	( 4 )	top rail w/leg sockets	(4)
JTR6TR	( 4 )	top rail	(5)
JTR6L	( 4 )	leg base	(6)

The following items are not illustrated:

( 1 )	instruction placard w/tie wrap
( 8 )	plastic buckles w/instructions
( 1 )	owner's manual

## **ORDERING REPLACEMENT PARTS**

Replacement parts can be ordered by calling our Customer Service Department, toll-free, at 1-800-322-2211, Monday through Friday, 8 a.m. until 5 p.m. Central Time (excluding holidays). When ordering parts, please be prepared to give the following information:

1. The NAME and MODEL NUMBER OF THE PRODUCT (Jumpking trampoline).
2. The PART NUMBER (from page 12) .
3. The DESCRIPTION of the part (from page 12).
4. Quantity needed.
5. How to ship.

# ORDER FORM

Name: \_\_\_\_\_

Street : \_\_\_\_\_

City: \_\_\_\_\_ State: \_\_\_\_\_ Zip: \_\_\_\_\_

Home Phone #: \_( ) \_\_\_\_\_ Business Phone # \_( ) \_\_\_\_\_

Ship To: (if different from above)

Name: \_\_\_\_\_

Street: \_\_\_\_\_

City: \_\_\_\_\_ State: \_\_\_\_\_ Zip: \_\_\_\_\_

**Ordering:**

Quantity Cost	Part #	Total Cost	Description	Unit
_____	_____	_____	_____	_____
_____	_____	_____	_____	_____
_____	_____	_____	_____	_____

Method of Payment: (No C.O.D.'s) Circle One (MASTER CARD), (VISA), (DISCOVER)

CARD # \_\_\_\_\_ exp. date \_\_\_\_\_

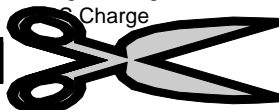
For Cashier's Check or Money Order please list Driver's license # /State: \_\_\_\_\_

Call for appropriate freight charges .

**Mail to:**

Jumpking, Inc.  
901 W. Miller Road  
P. O. Box 461806  
Garland, TX 75041

Total from above	\$ _____
State Sales Tax (Texas only)	_____
Handling Charge	5.00
Freight Charge	_____
_____ Charge	_____



**Mail to:**

Jumpking, Inc.  
901 W. Miller Road  
P.O. Box 461806  
Garland, TX 75041

# NOTES:

# JUMPING

(Optional) 2nd Day U.S. Charge \_\_\_\_\_  
TOTAL ENCLOSED \$ \_\_\_\_\_

*You may order by phone with a credit card by dialing 1-800-322-2211; ask for Retail Sales Office.*

**Jumping, Inc.**  
901 W. Miller Road  
Garland, Texas 75041  
800-322-2211

---

As a manufacturer, we are committed to providing you complete customer satisfaction. If you have questions about this product, or find there are missing or damaged parts, we guarantee you complete satisfaction through direct assistance from our factory. TO AVOID UNNECESSARY DELAYS, PLEASE CALL DIRECT TO OUR TOLL-FREE CUSTOMER "HOT LINE". Let the trained technicians on our Customer "Hot Line" provide immediate assistance, free of charge to you. **Customer Hot Line: 1-800-322-2211, Monday-Friday, 8 am to 5 pm, CST (excluding holi-**



## Free Manuals Download Website

<http://myh66.com>

<http://usermanuals.us>

<http://www.somanuals.com>

<http://www.4manuals.cc>

<http://www.manual-lib.com>

<http://www.404manual.com>

<http://www.luxmanual.com>

<http://aubethermostatmanual.com>

Golf course search by state

<http://golfingnear.com>

Email search by domain

<http://emailbydomain.com>

Auto manuals search

<http://auto.somanuals.com>

TV manuals search

<http://tv.somanuals.com>