

JVC®

The Perfect Experience / —

17" PROFESSIONAL LCD
DISPLAY MONITOR

LM-17GEA

Super-thin 17" TFT LCD Panel for
Global Professional Applications



- ▶ Wide LCD viewing angles (H / V): 178° / 178°
- ▶ High LCD contrast ratio: 1000:1 **Typical**
- ▶ Bright LCD images: 280 cd/m²
- ▶ Low LCD power consumption: 45W
- ▶ Universal usage: Video & PC; PAL & NTSC; VGA, SVGA, XGA and SXGA; 100V — 240V AC
- ▶ External Remote Control operation (contact closure type) for selecting: Video input A or B ; 16:9 or 4:3 aspect ratio
- ▶ Occupies minimal space through the intelligent design of LCD panel and the built-in power supply
- ▶ Square section metal chassis combines rigidity with ease of installation
- ▶ Designed for rack mounting with the 8U rack mount accessory kit
- ▶ **Four capped through-holes on the front corners increase the options for mounting**
- ▶ Four 100 mm pitch VESA marking holes in centre of rear panel for universal VESA wall and desktop mounting
- ▶ Simple desktop stand included

A Professional Quality Multi-Purpose LCD Designed for Flexible Installation

JVC's LM-17G brings the advantages of LCD to the most demanding of professional users. The flat-screen LM-17G delivers crisp, bright pictures from a lightweight package that uses a lot less power than a comparable CRT display. The LM-17G offers even more. It can be used standalone with its own desktop stand or be rack mounted. VESA standard 100 mm mounting holes also open up a wide range of installation possibilities. The capability of reproducing high-resolution video images as well as PC graphics lends it to a variety of multifunction applications in video production and CCTV.

■ Needs Less Space, Less Power, Yet Offers More

The LM-17G brings you the major advantages of a flat-screen LCD. Compared with conventional CRT displays, the LM-17G is lighter, thinner, and uses a lot less power. The latest advances in TFT flat display technology offer the flexibility that comes with bright (280 cd/m²) high resolution pictures, with a wide viewing angle of 178° and with no possibility of burn-in.

■ Universal Mains Input

No need for adapters—with its automatic universal mains input function the LM-17G can be connected in a range of 100V to 240V (50Hz/60Hz) mains power.

■ Video and PC Inputs (SXGA)

The LM-17G comes with two standard composite input terminals (2-channel BNC), each with a bridged input. It can also be connected directly to a PC via the 15 pin D-sub terminal to display VGA, SVGA, XGA and SXGA resolution images at 1280 x 1024 pixel resolution.

■ Tough, Durable Design

A tough, yet elegant metal cabinet, which also assists the process of heat dissipation, ensures the LM-17G has the rugged durability needed for professional applications in the field and in other demanding environments.

■ Selectable Aspect Ratio with Remote Function

The LM-17G displays images with aspect ratios of 4:3 or 16:9, which are easily selectable by way of an on-screen menu or an external remote control connector.

■ Multi-Standard Compatibility

Featuring a built-in auto-detection function, the LM-17G senses the input signal as PAL or NTSC and switches itself accordingly.

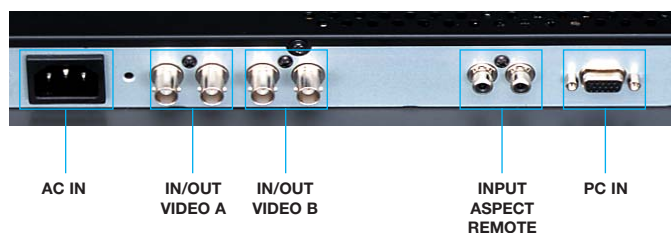
■ Flexible Installation

The LM-17G offers a wide range of installation options. It comes standard with its own desktop stand. Its 8U height makes for neat and easy rack mounting. The display has four VESA standard 100 mm pitch mounting holes on the rear panel and four capped through-holes at the corners of the monitor cabinet, offering still more options for mounting.

Front Panel



Rear Panel



Specifications

Type	LCD video monitor	
Color system	NTSC and PAL	
LCD panel	Size	17" (338 mm x 270 mm)
	Type	TFT
	Pixels	1280 x 1024
	Luminance	280 cd/m ²
	Contrast ratio	1000:1 (Typ.)
	Viewing angle (Typical)	Vertical: 178° Horizontal: 178°
	Display colours	16,770,000
Power requirements	100V – 240V, 50Hz/60Hz	
Power consumption	45W	
Input terminals	Video	BNC x 2, bridged
	PC	D-sub 15-pin
Input signal	Video	NTSC, PAL, B/W, manual select
	PC	fh: 31.5kHz – 80kHz
		fv: 56Hz – 70Hz
	Supported range of resolutions	VGA, SVGA, XGA and SXGA
Audio terminals	—	
Remote control (contact closure type)	Aspect ratio select:	4:3 / 16:9
	Input select:	Video A / Video B
Cabinet material	Metal	
Mounting hole	VESA 100 mm pitch (rear panel)	
Dimensions (W x H x D)	402 x 348 x 70.1 mm (without stand)	
Weight	5 kg (without stand)	
Provided accessories	Power cable and stand unit (metal)	

Rack Mount Adapter

■ RK-C17LG



Attached to the LM-17G and set in the vertical position.



• Adjustable tilt, upwards or downwards, in a range of 0° – 15°

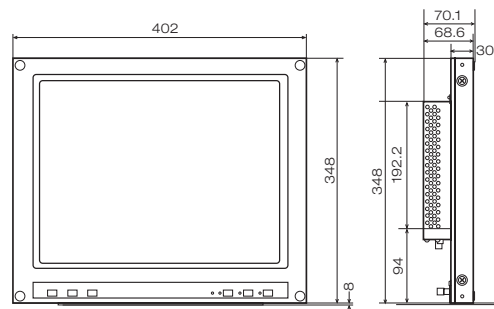
Wall Mounting Unit



- TS-CV10WG
- Mounts horizontally for pan effect, either left or right
- Mounts vertically for tilt effect, either upwards or downwards
- Adjustment is in the range of 0° – 20°
- Two adapters can be mounted in combination for both pan & tilt

Dimensions

Unit : mm



Design and specifications subject to change without notice.

JVC®

DISTRIBUTED BY

Free Manuals Download Website

<http://myh66.com>

<http://usermanuals.us>

<http://www.somanuals.com>

<http://www.4manuals.cc>

<http://www.manual-lib.com>

<http://www.404manual.com>

<http://www.luxmanual.com>

<http://aubethermostatmanual.com>

Golf course search by state

<http://golfingnear.com>

Email search by domain

<http://emailbydomain.com>

Auto manuals search

<http://auto.somanuals.com>

TV manuals search

<http://tv.somanuals.com>