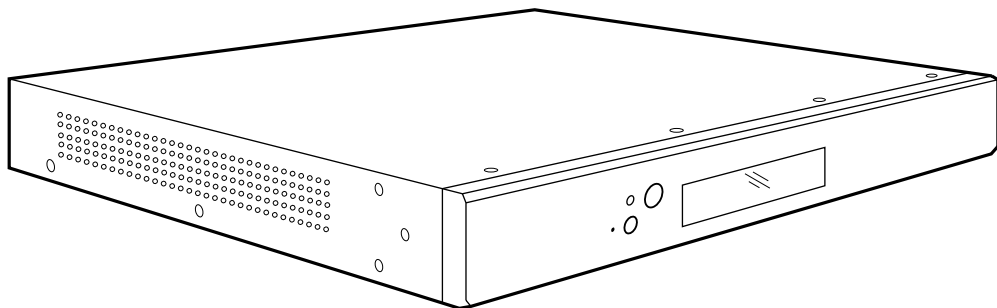
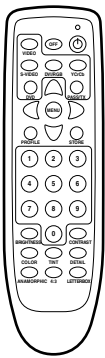


Machine Models Compatible for Connection with this Product		Appareils compatibles pouvant être connectés à ce produit	
DLA-HD2K Series	DLA-HD10K Series	Séries DLA-HD2K	Séries DLA-HD10K
<p>This product (LD-HD2KBU/LD-HD2KBE) is exclusively for the above-mentioned model. The performance cannot be guaranteed when using with other models.</p> <p>This processor is used as a dedicated machine and this manual (instruction manual) may contain description of features as well as specifications not used by the processor.</p>	<p>This product (LD-HD2KBU/LD-HD2KBE) is exclusively for the above-mentioned model. The performance cannot be guaranteed when using with other models.</p> <p>This processor is used as a dedicated machine and this manual (instruction manual) may contain description of features as well as specifications not used by the processor.</p>	<p>Ce produit (LD-HD2KBU/LD-HD2KBE) est compatible uniquement avec le modèle indiqué ci-dessus. Il est impossible de garantir la performance avec d'autres modèles.</p> <p>Ce processeur doit être utilisé tel un appareil spécialisé; il est possible que certaines des fonctions et spécifications décrites dans le présent manuel de directives ne puissent pas être utilisées avec ce processeur.</p>	<p>Ce produit (LD-HD2KBU/LD-HD2KBE) est compatible uniquement avec le modèle indiqué ci-dessus. Il est impossible de garantir la performance avec d'autres modèles.</p> <p>Ce processeur doit être utilisé tel un appareil spécialisé; il est possible que certaines des fonctions et spécifications décrites dans le présent manuel de directives ne puissent pas être utilisées avec ce processeur.</p>

DIGITAL VIDEO PROCESSOR PROCESSEUR VIDÉO NUMÉRIQUE

LD-HD2KBU LD-HD2KBE

INSTRUCTIONS MANUEL D'INSTRUCTIONS



D-ILA®

For Customer use :

Enter below the serial No. which is located on the side panel of the cabinet. Retain this information for future reference.

Model No. LD-HD2KBU

Serial No. _____

Pour utilisation par le client :

Entrer ci-dessous le N° de série qui est situé sur le panneau latéral du coffret. Garder cette information comme référence pour le futur.

N° de modèle LD-HD2KBU

N° de série _____

SAFETY PRECAUTIONS

IMPORTANT INFORMATION

WARNING: TO PREVENT FIRE OR SHOCK HAZARDS, DO NOT EXPOSE THIS APPLIANCE TO RAIN OR MOISTURE.

CAUTION:

To reduce the risk of electric shock, do not remove cover. Refer servicing to qualified service personnel.

This product is equipped with a 3-blade grounding type plug to satisfy UL, CUL, TUV, FCC rules.

If you are unable to insert the plug into the outlet, contact your electrician.

FCC INFORMATION (U.S.A. ONLY)

CAUTION:

Changes or modifications not approved by JVC could void the user's authority to operate the equipment.

Note: This equipment has been tested and found to comply with the limits for a Class B digital devices, pursuant to Part 15 of the FCC Rules. These limits are designed to provide reasonable protection against harmful interference in a residential installation. This equipment generates, uses, and can radiate radio frequency energy and, if not installed and used in accordance with the instructions, may cause harmful interference to radio communications.

However, there is no guarantee that interference will not occur in a particular installation. If this equipment does cause harmful interference to radio or television reception, which can be determined by turning the equipment off and on, the user is encourage to try to correct the interference by one or more of the following measures:

- Reorient or relocate the receiving antenna.
- Increase the separation between the equipment.
- Connect the equipment into an outlet on a circuit different from that to which the receiver is connected.
- Consult the dealer or an experienced radio/TV technician for help.

About the installation place

Do not install the processor in a place that cannot support its weight securely, or that does not allow for proper heat ventilation.

IMPORTANT SAFEGUARDS

IMPROPER USE OF THIS EQUIPMENT CAN RESULT IN POTENTIAL ELECTRICAL SHOCK OR FIRE HAZARD.

In order not to defeat the safeguards incorporated into this product, observe the following basic rules for its installation, use and service.

- All the safety and operating instructions should be read before the product is operated.
- The safety and operating instructions should be followed and retained for future reference.
- All warnings on the product and in the operating instructions should be adhered to.
- Unplug this product from the wall outlet before cleaning. Do not use liquid cleaners or aerosol cleaners. Use a damp cloth for cleaning.
- Do not use attachments not recommended by the product manufacturer as they may be hazardous.
- Do not use this product near water. Do not use immediately after moving from a low temperature to high temperature, as this causes condensation, which may result in fire, electric shock, or other hazards.
- Do not place this product on an unstable cart, stand, or table. The product may fall, causing serious injury to a child or adult, and serious damage to the product. The product should be mounted according to the manufacturer's instructions, and should use a mount recommended by the manufacturer.
- When the product is used on a cart, care should be taken to avoid quick stops, excessive force, and uneven surfaces which may cause the product and cart to overturn, damaging equipment or causing possible injury to the operator.
- Slots and openings in the cabinet are provided for ventilation. These ensure reliable operation of the product and protect it from overheating. These openings must not be blocked or covered. (The openings should never be blocked by placing the product on bed, sofa, rug, or similar surface. It should not be placed in a built-in installation such as a bookcase or rack unless proper ventilation is provided and the manufacturer's instructions have been adhered to.)
- This product should be operated only with the type of power source indicated on the label. If you are not sure of the type of power supply to your home, consult your product dealer or local power company.
- This product is equipped with a three-wire plug. This plug will fit only into a grounded power outlet. If you are unable to insert the plug into the outlet, contact your electrician to install the proper outlet. Do not defeat the safety purpose of the grounded plug.
- Power-supply cords should be routed so that they are not likely to be walked on or pinched by items placed upon or against them. Pay particular attention to cords at doors, plugs, receptacles, and the point where they exit from the product.
- For added protection of this product during a lightning storm, or when it is left unattended and unused for long periods of time, unplug it from the wall outlet and disconnect the cable system. This will prevent damage to the product due to lightning and power line surges.

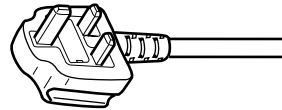
- Do not overload wall outlets, extension cords, or convenience receptacles on other equipment as this can result in a risk of fire or electric shock.
- Never push objects of any kind into this product through openings as they may touch dangerous voltage points or short out parts that could result in a fire or electric shock. Never spill liquid of any kind on the product.
- Do not attempt to service this product yourself as opening or removing covers may expose you to dangerous voltages and other hazards. Refer all service to qualified service personnel.
- Unplug this product from the wall outlet and refer service to qualified service personnel under the following conditions:
 - a) When the power supply cord or plug is damaged.
 - b) If liquid has been spilled, or objects have fallen on the product.
 - c) If the product has been exposed to rain or water.
 - d) If the product does not operate normally by following the operating instructions. Adjust only those controls that are covered by the Operation Manual, as an improper adjustment of controls may result in damage and will often require extensive work by a qualified technician to restore the product to normal operation.
 - e) If the product has been dropped or damaged in any way.
 - f) When the product exhibits a distinct change in performance – this indicates a need for service.
- When replacement parts are required, be sure the service technician has used replacement parts specified by the manufacturer or with same characteristics as the original part. Unauthorized substitutions may result in fire, electric shock, or other hazards.
- Upon completion of any service or repairs to this product, ask the service technician to perform safety checks to determine that the product is in proper operating condition.
- The product should be placed more than one foot away from heat sources such as radiators, heat registers, stoves, and other products (including amplifiers) that produce heat.
- When connecting other products such as VCR's, and personal computers, you should turn off the power of this product for protection against electric shock.
- Use only the accessory cord designed for this product to prevent shock.

The power supply voltage rating of this product is AC 120 V, AC 100 V - AC 240 V, the power cord attached conforms to the following power supply voltage. Use only the power cord designated by our dealer to ensure Safety and EMC. When it is used by other power supply voltage, power cable must be changed.

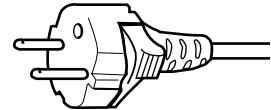
Ensure that the power cable used for the projector is the correct type for the AC outlet in your country.

Consult your product dealer.

Power cord

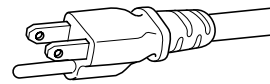


For United Kingdom



For European continent countries

Power cord



Power supply voltage: AC 120 V

***DO NOT allow any unqualified person to install the unit.**

Be sure to ask your dealer to install the unit since special technical knowledge and skills are required for installation and connection to multiple devices.

If installation is performed by an unqualified person, it may cause personal injury or electrical shock.

Precautions for using the screen terminal

Connect the cable to the screen before using the screen terminal of this unit.

Signal with DC+12 V/100 mA max. is output from the screen terminal of this unit.

Short-circuit will result in malfunction, fire and electric shock.

Leave the connection of the wires to the installation contractor.

ENGLISH

Information for Users on Disposal of Old Equipment

Attention:

This symbol is only valid in the European Union.



[European Union]

This symbol indicates that the electrical and electronic equipment should not be disposed as general household waste at its end-of-life. Instead, the product should be handed over to the applicable collection point for the recycling of electrical and electronic equipment for proper treatment, recovery and recycling in accordance with your national legislation.

By disposing of this product correctly, you will help to conserve natural resources and will help prevent potential negative effects on the environment and human health which could otherwise be caused by inappropriate waste handling of this product. For more information about collection point and recycling of this product, please contact your local municipal office, your household waste disposal service or the shop where you purchased the product. Penalties may be applicable for incorrect disposal of this waste, in accordance with national legislation.

(Business users)

If you wish to dispose of this product, please visit our web page www.jvc-europe.com to obtain information about the take-back of the product.

[Other Countries outside the European Union]

If you wish to dispose of this product, please do so in accordance with applicable national legislation or other rules in your country for the treatment of old electrical and electronic equipment.

FRANÇAIS

Informations relatives à l'élimination des appareils usagés, à l'intention des utilisateurs

Attention:

Ce symbole n'est reconnu que dans l'Union européenne.



[Union européenne]

Lorsque ce symbole figure sur un appareil électrique et électronique, cela signifie qu'il ne doit pas être éliminé en tant que déchet ménager à la fin de son cycle de vie. Le produit doit être porté au point de pré-collecte approprié au recyclage des appareils électriques et électroniques pour y subir un traitement, une récupération et un recyclage, conformément à la législation nationale.

En éliminant correctement ce produit, vous contribuez à la conservation des ressources naturelles et à la prévention des éventuels effets négatifs sur l'environnement et la santé humaine, pouvant être dus à la manipulation inappropriée des déchets de ce produit. Pour plus d'informations sur le point de pré-collecte et le recyclage de ce produit, contactez votre mairie, le service d'évacuation des ordures ménagères ou le magasin dans lequel vous avez acheté le produit.

Des amendes peuvent être infligées en cas d'élimination incorrecte de ce produit, conformément à la législation nationale.

(Utilisateurs professionnels)

Si vous souhaitez éliminer ce produit, visitez notre page Web www.jvc-europe.com afin d'obtenir des informations sur sa récupération.

[Pays ne faisant pas partie de l'Union européenne]

Si vous souhaitez éliminer ce produit, faites-le conformément à la législation nationale ou autres règles en vigueur dans votre pays pour le traitement des appareils électriques et électroniques usagés.

DEUTSCH

Benutzerinformationen zur Entsorgung alter Geräte

Hinweis:

Dieses Symbol ist nur in der Europäischen Union gültig.



[Europäische Union]

Dieses Symbol zeigt an, dass das elektrische bzw. elektronische Gerät nicht als normaler Haushaltsabfall entsorgt werden soll. Stattdessen sollte das Produkt zur fachgerechten Entsorgung, Weiterverwendung und Wiederverwertung in Übereinstimmung mit der Landesgesetzgebung einer entsprechenden Sammelstelle für das Recycling elektrischer und elektronischer Geräte zugeführt werden. Die korrekte Entsorgung dieses Produkts dient dem Umweltschutz und verhindert mögliche Schäden für die Umwelt und die menschliche Gesundheit, welche durch unsachgemäße Behandlung des Produkts auftreten können. Weitere Informationen zu Sammelstellen und dem Recycling dieses Produkts erhalten Sie bei Ihrer Gemeindeverwaltung, Ihrem örtlichen Entsorgungsunternehmen oder in dem Geschäft, in dem Sie das Produkt gekauft haben. Für die nicht fachgerechte Entsorgung dieses Abfalls können gemäß der Landesgesetzgebung Strafen ausgesprochen werden.

(Geschäftskunden)

Wenn Sie dieses Produkt entsorgen möchten, besuchen Sie bitte unsere Webseite www.jvc-europe.com, um Informationen zur Rücknahme des Produkts zu erhalten.

[Andere Länder außerhalb der Europäischen Union]

Wenn Sie dieses Produkt entsorgen möchten, halten Sie sich dabei bitte an die entsprechenden Landesgesetze und andere Regelungen in Ihrem Land zur Behandlung elektrischer und elektronischer Geräte.

NEDERLANDS

Informatie voor gebruikers over het weggooien van oude apparatuur

Let op:

Dit symbool is alleen geldig in de Europese Unie.



[Europese Unie]

Deze markering geeft aan dat de elektrische en elektronische apparatuur bij het einde van de gebruiksduur niet bij het huishoudelijk afval mag worden gegooid. Het product moet in plaats daarvan worden ingeleverd bij het relevante inzamelingspunt voor hergebruik van elektrische en elektronische apparatuur, voor juiste verwerking, terugwinning en hergebruik in overeenstemming met uw nationale wetgeving.

Door dit product naar het inzamelingspunt te brengen, werkt u mee aan het behoud van natuurlijke hulpbronnen en met het voorkomen van potentiële negatieve effecten op het milieu en de volksgezondheid, die anders veroorzaakt zouden kunnen worden door onjuiste afvalverwerking van dit product. Neem voor meer informatie over inzamelingspunten en hergebruik van dit product contact op met de gemeente in uw woonplaats, het afvalverwerkingsbedrijf of de winkel waar u het product hebt aangekocht.

Er kunnen boetes gelden voor een onjuiste verwijdering van dit afval, in overeenstemming met de nationale wetgeving.

(Zakelijke gebruikers)

Bezoek als u dit product wilt weggooien onze website www.jvc-europe.com voor informatie over het terugnemen van het product.

[Landen buiten de Europese Unie]

Wanneer u dit product wilt verwijderen, houdt u dan aan de geldende nationale wetgeving of andere regels in uw land voor de verwerking van oude elektrische en elektronische apparatuur.

ESPAÑOL

Información para los usuarios sobre la eliminación de equipos usados**Atención:**

Este símbolo sólo es válido en la Unión Europea.

**[Unión Europea]**

Este símbolo indica que los aparatos eléctricos y electrónicos no deben desecharse junto con la basura doméstica al final de su vida útil. El producto deberá llevarse al punto de recogida correspondiente para el reciclaje y el tratamiento adecuado de equipos eléctricos y electrónicos de conformidad con la legislación nacional. Si desecha el producto correctamente, estará contribuyendo a conservar los recursos naturales y a prevenir los posibles efectos negativos en el medio ambiente y en la salud de las personas que podría causar el tratamiento inadecuado del producto desechado. Para obtener más información sobre el punto de recogida y el reciclaje de este producto, póngase en contacto con su oficina municipal, su servicio de recogida de basura doméstica o la tienda en la que haya adquirido el producto.

De acuerdo con la legislación nacional, podrían aplicarse multas por la eliminación incorrecta de estos desechos.

(Empresas)

Si desea desechar este producto, visite nuestra página Web www.jvc-europe.com para obtener información acerca de la retirada del producto.

[Otros países no pertenecientes a la Unión Europea]

Si desea desechar este producto, hágalo de conformidad con la legislación nacional vigente u otras normativas de su país para el tratamiento de equipos eléctricos y electrónicos usados.

PORTUGUÊS

Informações para os Utilizadores sobre a Eliminação de Equipamento Antigo**Atenção:**

Este símbolo apenas é válido na União Europeia.

**[União Europeia]**

Este símbolo indica que o equipamento eléctrico e electrónico não deve ser eliminado como um resíduo doméstico geral, no fim da respectiva vida útil. Pelo contrário, o produto deve ser entregue num ponto de recolha apropriado, para efectuar a reciclagem de equipamento eléctrico e electrónico e aplicar o tratamento, recuperação e reciclagem adequados, de acordo com a respectiva legislação nacional.

Ao eliminar este produto da forma correcta, ajudará a conservar recursos naturais e ajudará a evitar potenciais efeitos negativos no ambiente e saúde humana, que poderiam ser causados pelo tratamento residual inadequado deste produto. Para mais informações sobre o ponto de recolha e reciclagem deste produto, contacte a respectiva entidade local, o serviço de eliminação de resíduos ou a loja onde adquiriu o produto.

Caso estes resíduos não sejam correctamente eliminados, poderão ser aplicadas penalizações, em conformidade com a respectiva legislação nacional.

(utilizadores profissionais)

Se pretender eliminar este produto, visite a nossa página da web em www.jvc-europe.com para obter informações sobre a devolução do produto.

[Outros países fora da União Europeia]

Se pretender eliminar este produto, faça-o de acordo com a legislação nacional aplicável ou outras regras no seu país para o tratamento de equipamento eléctrico e electrónico velho.

ITALIANO

Informazioni per gli utenti sullo smaltimento delle apparecchiature obsolete**Attenzione:**

Questo simbolo è valido solo nell'Unione Europea.

**[Unione Europea]**

Questo simbolo indica che l'apparecchiatura elettrica ed elettronica a cui è relativo non deve essere smaltita tra i rifiuti domestici generici alla fine della sua vita utile. Il prodotto, invece, va consegnato a un punto di raccolta appropriato per il riciclaggio di apparecchiature elettriche ed elettroniche, per il trattamento, il recupero e il riciclaggio corretti, in conformità alle proprie normative nazionali.

Mediante lo smaltimento corretto di questo prodotto, si contribuirà a preservare le risorse naturali e a prevenire potenziali effetti negativi sull'ambiente e sulla salute umana che potrebbero essere provocati, altrimenti, da uno smaltimento inappropriato del prodotto. Per ulteriori informazioni sul punto di raccolta e il riciclaggio di questo prodotto, contattare la sede comunale locale, il servizio di smaltimento rifiuti domestici o il negozio in cui si è acquistato il prodotto.

L'utente è responsabile del conferimento dell'apparecchio a fine vita alle appropriate strutture di raccolta, pena le sanzioni previste dalla vigente legislazione sui rifiuti.

(Per gli utenti aziendali)

Qualora si desideri smaltire questo prodotto, visitare la nostra pagina web www.jvc-europe.com per ottenere informazioni sul ritiro del prodotto.

[Per altre nazioni al di fuori dell'Unione Europea]

Qualora si desideri smaltire questo prodotto, effettuare lo smaltimento in conformità alla normativa nazionale applicabile o alle altre leggi della propria nazione relative al trattamento delle apparecchiature elettriche ed elettroniche obsolete.

ΕΛΛΗΝΙΚΑ

Πληροφορίες σχετικά με την απόρριψη εξοπλισμού**Προσοχή:**

Αυτή η σήμανση ισχύει μόνο για την Ευρωπαϊκή Ένωση.

**[Ευρωπαϊκή Ένωση]**

Αυτή η σήμανση υποδηλώνει ότι ο ηλεκτρικός και ηλεκτρονικός εξοπλισμός δεν πρέπει να απορριφθεί ως κοινό οικιακό απόρριμμα. Αντ' αυτού, το προϊόν πρέπει να παραδοθεί στο ανάλογο σημείο περισυλλογής για την ανακύκλωση των ηλεκτρικών και ηλεκτρονικών μερών και την κατάλληλη επεξεργασία, σύμφωνα με τη νομοθεσία της χώρας σας.

Η σωστή απόρριψη αυτού του προϊόντος βοηθάει στη διαφύλαξη των φυσικών πόρων και στην αποφυγή αρνητικών επιπτώσεων στο περιβάλλον και στην ανθρώπινη υγεία, κάτι που ενδέχεται να προκληθεί από την ακατάλληλη διαχείριση αυτού του προϊόντος ως απορριμμάτων. Για περισσότερες πληροφορίες σχετικά με τα σημεία περισυλλογής και ανακύκλωσης αυτού του προϊόντος, επικοινωνήστε με τα γραφεία της τοπικής αυτοδιοίκησης, την υπηρεσία περισυλλογής απορριμμάτων ή το κατάστημα από το οποίο αγοράσατε το προϊόν.

Ανάλογα με τη νομοθεσία της χώρας σας, ενδέχεται να επιβληθούν κυρώσεις σε περίπτωση λανθασμένης απόρριψης αυτού του προϊόντος.

(Επιχειρήσεις)

Αν επιθυμείτε να απορρίψετε αυτό το προϊόν, επισκεφτείτε το διαδικτυακό μας τόπο www.jvc-europe.com για περισσότερες πληροφορίες σχετικά με την επιστροφή του προϊόντος.

[Άλλες χώρες εκτός Ευρωπαϊκής Ένωσης]

Αν επιθυμείτε να απορρίψετε αυτό το προϊόν, πρέπει να τηρήσετε την ισχύουσα εθνική νομοθεσία ή όποιους άλλους κανονισμούς για τη χώρα σας για την απόρριψη ηλεκτρικού και ηλεκτρονικού εξοπλισμού.

DANSK

Brugerinformation om bortskaffelse af gammelt udstyr

Bemærk:
Dette symbol er kun gyldigt i EU.



[EU]

Elektriske produkter og elektroniske apparater med dette symbol må ikke afhændes på samme måde som almindeligt husholdningsaffald, når det skal smides ud. I stedet skal produktet indleveres på det relevante indsamlingssted for elektriske apparater og elektronisk udstyr, hvor det vil blive håndteret korrekt og efterfølgende genanvendt og recirkuleret i henhold til de love, der gælder i dit land.

Ved at bortskaffe dette produkt korrekt, medvirker du til at bevare naturens ressourcer samt forhindre eventuelle negative påvirkninger af miljøet og folkesundheden, der ellers kunne forårsages ved forkert affaldshåndtering af dette produkt. Mere information om indsamlingssteder og genanvendelse af dette produkt kan du få ved at kontakte din lokale kommune, dit renovations-selskab eller den forretning, hvor du har købt produktet.

Ukorrekt bortskaffelse af dette affald kan være strafbar ifølge lovgivningen i nogle lande.

(Professionelle brugere)

Hvis du ønsker at bortskaffe dette produkt, kan du på vores web-side www.jvc-europe.com få information om tilbagetagning af produktet.

[Lande uden for EU]

Hvis du ønsker at bortskaffe dette produkt, bedes du gøre det i overensstemmelse med gældende lovgivning eller andre regler i dit land for behandling af gammelt elektrisk eller elektronisk udstyr.

SVENSKA

Information till användare gällande kassering av gammal utrustning

Tänk på:
Att denna symbol endast gäller inom den Europeiska gemenskapen.



[Europeiska gemenskapen]

Denna symbol anger att elektrisk och elektronisk utrustning inte ska kasseras som vanligt hushållsavfall, när de inte ska användas mer. Istället ska produkten lämnas in på lämplig återvinningsstation för elektrisk eller elektronisk utrustning, så att den kan tas om hand och återvinnas i enlighet med ert lands lagstiftning.

Genom att avyttra denna produkt på rätt sätt, bidrar du till att bevara naturen och förhindrar potentiellt negativa effekter på miljön och den mänskliga hälsan, som annars kan bli resultatet vid felaktig hantering av denna produkt. Kontakta ditt kommunkontor, det företag som hanterar dina hushållssopor eller butiken där du köpt produkten, för mer information om återvinningscentraler. Det kan hända att du bötfälls i enlighet med ert lands lagstiftning om detta avfall kasseras på fel sätt.

(Företagsanvändare)

Om ni vill kassera denna produkt, besök vår webbsida www.jvc-europe.com för att få information om returnering av produkten.

[Övriga länder utanför den Europeiska gemenskapen]

Om du vill kassera denna produkt, ska detta göras i enlighet med gällande lagstiftning i landet, eller enligt andra bestämmelser i ditt land, för behandling av gammal elektrisk eller elektronisk utrustning.

SUOMI

Tietoja käyttäjille vanhojen laitteiden hävittämisestä

Huomio:
Tämä symboli on voimassa vain Euroopan unionissa.



[Euroopan unioni]

Tämä symboli tarkoittaa, että sähkö- ja elektroniikkalaitteita ei tule laittaa talousjätteisiin, kun ne poistetaan käytöstä. Sen sijaan tuotteet tulee toimittaa asianmukaiseen sähkö- ja elektroniikkalaitteiden kierrätyspisteeseen, jossa ne käsitellään uusiokäyttöä ja kierrätystä varten paikallisen lainsäädännön mukaan.

Kun hävität tuotteen asianmukaisella tavalla, autat säästämään luonnonvaroja ja estämään mahdollisia ympäristö- ja terveyshaittoja, joita voisi aiheutua tämän tuotteen vääränlaisesta hävittämisestä. Lisätietoja keräyspisteistä ja tämän tuotteen kierrätyksestä saat paikkakuntasi viranomaisilta, kotitalousjätteiden keräyksestä huolehtivasta yrityksestä tai liikkeestä, josta ostit tuotteen.

Tuotteen vääränlaisesta hävittämisestä voi seurata paikallisen lainsäädännön mukaisia rangaistuksia.

(Yrityskäyttäjät)

Jos haluat hävittää tämän tuotteen, web-sivustoltamme osoitteessa www.jvc-europe.com löydät tietoja käytetyn tuotteen palautuksesta.

[Muut maat Euroopan unionin ulkopuolella]

Jos haluat hävittää tämän tuotteen, tee se kansallisen lainsäädännön tai muiden maassasi voimassa olevien määräysten mukaan, jotka koskevat vanhojen sähkö- ja elektroniikkalaitteiden käsittelyä.

NORSK

Informasjon til brukerne om kassering av gammelt utstyr

OBS!
Dette symbolet er kun gyldig i den Europeiske Union og i EFTA-landene Norge, Island og



[Europeiske Union]

Dette symbolet betyr at det elektriske eller elektroniske utstyret ikke skal kasseres som vanlig husholdningsavfall når det har nådd slutten av sin levetid. I stedet skal produktet leveres til en passende mottaksstasjon for kasserte elektriske og elektroniske produkter, slik at disse kan behandles, gjenvinnes og resirkuleres i samsvar med nasjonal lovgivning.

Hvis du kasserer dette produktet på riktig måte, bidrar du til å bevare naturlige ressurser og til å motvirke de negative virkningene på miljøet og den menneskelige helse som kan oppstå hvis produktet kasseres på feil måte. Hvis du vil ha mer informasjon om mottaksstasjoner og gjennvinning av dette produktet, kan du ta kontakt med kommunen din, renovasjonsselskapet ditt eller den forhandleren du kjøpte produktet av.

Feilaktig kassering av dette utstyret kan kanskje bøtelegges, avhengig av nasjonale lover og regler.

(Bedriftsbrukere)

Hvis du ønsker å kassere dette produktet, kan du gå til hjemmesiden vår på www.jvc-europe.com eller www.elretur.no for å få informasjon om retur av dette produktet.

[Andre land utenfor EU]

Hvis du ønsker å kassere dette produktet, må du gjøre det i samsvar med gjeldende nasjonal lovgivning eller andre regler som gjelder i landet ditt når det gjelder behandling av gammelt elektrisk og elektronisk utstyr.

Информация для пользователей, выбрасывающих старое оборудование

Внимание:

Действие этого
символа
распространяется
только на Европейский



[Европейский Союз]

Это символ указывает, что после окончания срока службы соответствующего электрического или электронного оборудования, нельзя выбрасывать его вместе с обычным бытовым мусором. Вместо этого, оно подлежит сдаче на утилизацию в соответствующий пункт приема электрического и электронного оборудования для последующей переработки и утилизации в соответствии с национальным законодательством.

Обеспечивая правильную утилизацию данного продукта, Вы помогаете сберечь природные ресурсы и предотвращаете ущерб для окружающей среды и здоровья людей, который возможен в случае ненадлежащего обращения. Более подробную информацию о пунктах приема и утилизации данного продукта можно получить в местных муниципальных органах, на предприятии по вывозу бытового мусора или по месту приобретения продукта. Нарушение правил утилизации данного типа отходов в соответствии с национальным законодательством является административным правонарушением.

(Организации-пользователи)

Прежде чем выбрасывать данный продукт, ознакомьтесь с информацией о приемке отработавших продуктов, приведенной на веб-узле www.jvc-europe.com.

[Страны, не входящие в Европейский Союз]

Если Вы собираетесь выбросить данный продукт, руководствуйтесь национальным законодательством или другими правилами, действующими в Вашей стране по отношению к переработке старого электрического и электронного оборудования.

TABLE OF CONTENTS

SAFETY PRECAUTIONS	2
Accessories/Controls and Features	9
Accessories	9
FRONT	9
REAR	10
Remote Control	12
Loading Batteries into the Remote Control	14
Installation and Connection	15
Precautions for Installation	15
Connecting to Devices	16
Connecting the Power Cord (Supplied)	17
Basic Operation Procedures	18
Adjustments and Settings Using Menus	20
Items for Setting in the Setup Menu	20
Items for Setting in the OSD Menu	20
Operating the Setup Menu	21
Setup Menu Configuration	22
Operating the OSD Menu	25
OSD Menu Configuration	26
Warning Displays	29
RS-232C External Control Description	30
Command Format	30
About Computers	30
RS-232C Terminal	30
RS-232C Control Commands	31
Specifications	33

Accessories

The following accessories are packed together with this unit. Please confirm all items.
If any item is missing, please contact your dealer.

Instructions

Guarantee

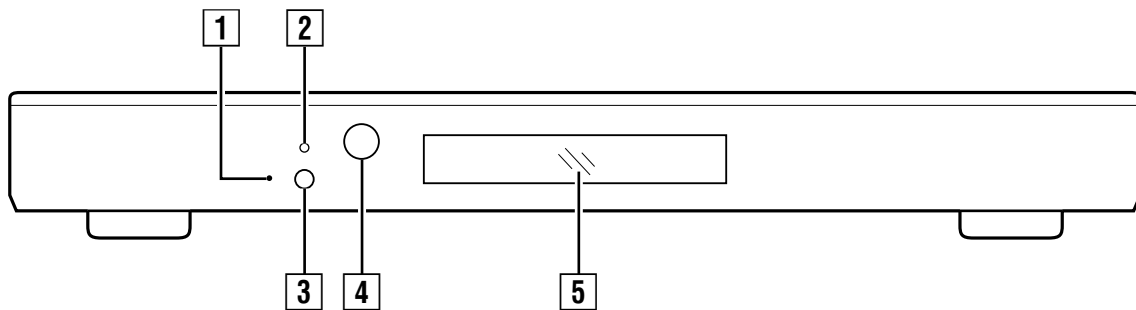
Power Cord

DVI Cable

Remote Control

AAA size Batteries (for operation confirmation)

FRONT



1 Reset Switch

If this unit does not function properly, press the “reset switch” inside the hole lightly using a non-pointed, stiff thin rod.

- It will not erase profiles and system settings stored in this unit.
- Reset is also possible by pulling out the power cord of this unit from the outlet.

2 Indicator

Green light : Power is turned on (☞ Page 18)

Red light : Standby mode (☞ Page 19)

3 Power/Standby

Press to turn the unit On when it is in the standby mode. Press again to switch to the standby mode. (☞ Page 18)

4 Remote Sensor

When operating with the remote control, aim it towards the sensor.

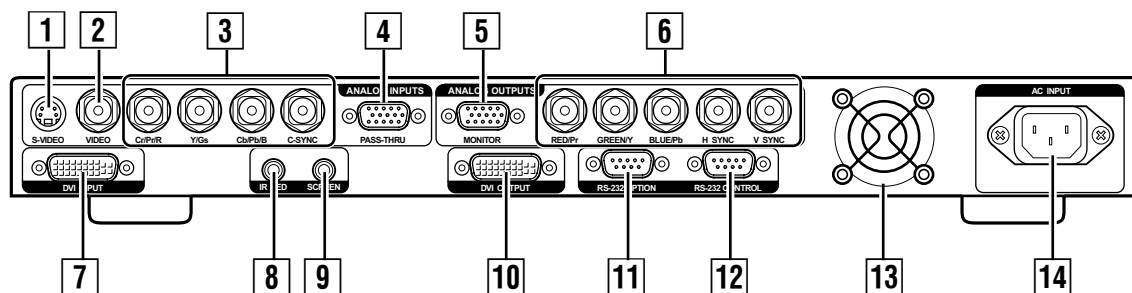
5 LCD

Provides information on control and warnings on the internal temperature of the processor.

(☞ Pages 21, 29)

- The setup menu and warning messages cannot be displayed on-screen. They will be displayed in the LCD.
- See page 29 for warning messages on the internal temperature.

REAR



1 [S-VIDEO] Input Terminal (4-pin mini DIN)

For input of S-video (Y/C) output signals of sources such as video decks.

2 [VIDEO] Input Terminal (BNC)

For input of composite video output signals of sources such as video decks.

3 [Cr/Pr/R, Y/Gs, Cb/Pb/B, C-SYNC] Input Terminal (Component/RGB input terminal BNC)

For input of 480i/480p, 576i/576p or 720p/1080i, 50 Hz/60 Hz signals.

- For output of the above signals upon converting to the scan rate specified in the Setup menu.

4 [PASS-THRU] Input Terminal (Pass-through input terminal, D-sub 15 pin)

High scan rates for sources such as video signals of HDTV or computers are passed through to the analog outputs terminal. This processor is unable to project signal input from this terminal using the projector.

- Input signals sent to this terminal are not converted or transcoded (from YPrPb to RGBHV).
- Output to the [MONITOR] terminal is possible.
- Usually, this terminal is not used.

5 [MONITOR] Output Terminal (Monitor output terminal, D-sub 15 pin)

For use with computer monitors or to a second display device.

- Usually, this terminal is not used.
- Set “SET: ACTIVE OUTPUT” of the Setup menu to “ANALOG RGB+DVI” or “ANALOG RGB”. (Page 22)
- When HDCP signal input is sent to the DVI input terminal, video signals will not be output from the analog terminal. In this case, an “ENCRYPTED SOURCE ANALOG OUT DISABLE” message will appear on the LCD.
- This cannot be used simultaneously with the DVI output terminal.
- Use a D-sub cable within 3 m to prevent attenuated and ringing signals. Also, make use of a 75Ω D15-BNC conversion cable.

6 [RED/Pr, GREEN/Y, BLUE/Pb, H/V SYNC] Output Terminal (BNC)

For connection to a display device with an input terminal for RGBHV or YPrPb signals.

- Usually, this terminal is not used.
- If computer signals are to be used, separate H & V sync cables must be connected to the display.
- Set “SET: ACTIVE OUTPUT” of the Setup menu to a value other than “DVI”. (Page 22)

7 [DVI INPUT] Terminal

Signals that can be input are 480i/480p, 576i/576p and 720p/1080i, 50 Hz/60 Hz signals. For passing through when signals with scan rates as high as though output from computers have been input. This unit monitors the DVI input and output statuses at all times and displays the corresponding information on the LCD.

“DVI”

Upon input of compatible signals

“NO INPUT”

When there is no input signal

“VERIFYING OUT-LINK”

When there is an interruption in the DVI connection with the projector

“DVI PASS-THROUGH”

When signals with scan rates as high as though output from computers are detected and then output without conversion

“RATE NOT SUPPORTED”

When signals not supported by this unit are detected while analog RGB or YPrPb output is selected

- It may take a while to display the screen upon input of a HDCP signal.
- In the Setup menu, set the DVI input level and type of sync signal correctly. (Page 23)

8 [IR LED] Terminal

Cannot be used with this processor.

9 [SCREEN] Terminal

For controlling the SCREEN TRIGGER-compatible elevating screen. Set “SET: SCREEN TRIGGER” in the Setup menu to “ON”, or set using the RS-232C command. Output DC +12 V/100 mA when the power of this unit is turned On.

- Please read the “Precautions for using the screen terminal” on Page 3 before use.

10 [DVI OUTPUT] Terminal

This is the DVI output terminal.

Use the DVI cable supplied with this unit to connect with the projector.

- It may take a while to project the images upon input of a HDCP signal to this unit.
- Set “SET: ACTIVE OUTPUT” of the Setup menu to “ANALOG RGB+DVI” or “DVI”. (Page 22)

11 [RS-232 OPTION] Terminal (D-sub 9 Pin)

Cannot be used with this processor.

12 [RS-232 CONTROL] Terminal (D-sub 9 Pin)

This is compliant with the RS-232C interface specifications. This unit can be controlled by a computer connected externally. For details, please consult your authorized dealer.

- Set the “SET: RS232 ECHO” and “SET: BAUD RATE” items in the Setup menu. (Page 24)

13 Exhaust Fan

Expels warm air to keep the system cool.

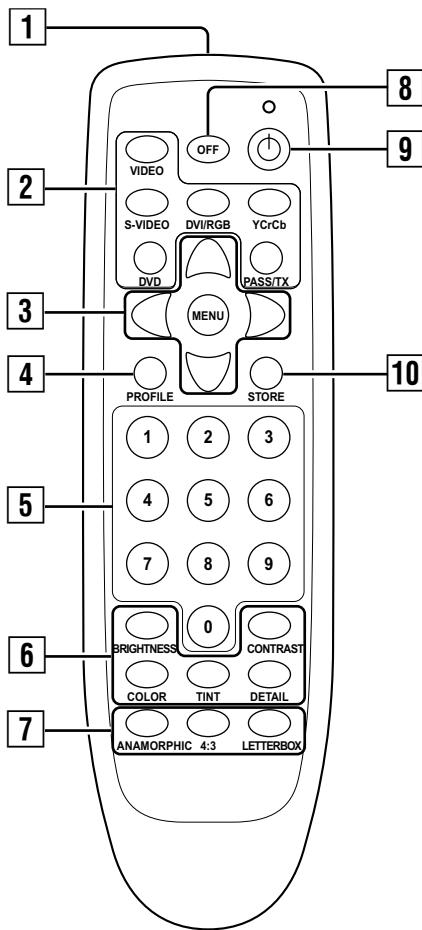
Do not block the exhaust fan. This may cause the unit to malfunction.

14 AC Power Input Terminal

This is the AC power input terminal. Connect the supplied cord to this terminal.

Remote Control

Some buttons may not function depending on your input source or unit's settings. A "KEY NOT VALID" message will appear on the LCD if a button that does not function is pressed.



1 Remote Control's Signal Transmitter

2 Buttons for Input Selection

Sets signals to input to this unit.

[VIDEO] Button

Press this button to select the composite video signal that has been input to the [VIDEO] input terminal at the rear of this unit.

[S-VIDEO] Button

Press this button to select the S-video signal that has been input to the [S-VIDEO] input terminal at the rear of this unit.

[DVI/RGB] Button

Press this button to select the digital DVI or analog RGB signal that has been input to the [DVI INPUT] or [R/G/B/C-SYNC] input terminal at the rear of this unit.

- Input switches between digital DVI and RGB each time the [DVI/RGB] button is pressed. It is also possible to specify the DVI and RGB inputs directly.

DVI Input

Press the [DVI/RGB] button, followed by the [0] button

RGB Input

Press the [DVI/RGB] button, followed by the [1] button

[Y/Cr/Cb] Button

Press this button to select the component video signal that has been input to the [Y, Cr/Pr, Cb/Pb] input terminal at the rear of this unit.

[DVD] Button

Cannot be used with this processor.

[PASS/TX] Button

Press this to output (pass through) signals that have been input to the input terminal of this unit in the same format.

DVI input signals are output to the DVI output terminal and analog input signals to the analog output terminal without being transcoded (from YPrPb to RGBHV).

DIGITAL(DVI) → DIGITAL(DVI)

ANALOG RGBHV(D15) → RGBHV(BNC&D15)

YPrPb (BNC&D15) → YPrPb (BNC&D15)

3 Menu Operation [▲ / ▼ / ◀ / ▶ / MENU] Buttons

Use these to operate the Setup menu and OSD menu. (☞ Pages 21, 25)

4 [PROFILE] Button

Press this button to invoke the profile that has been stored in this unit. (☞ Pages 19, 26)

5 Number Buttons

Use these to adjust the OSD menu items, such as brightness and contrast (items that are adjusted using numeric values). (☞ Page 27)

6 Picture Adjustment Buttons

Use these to adjust Brightness, Contrast, Color, Tint and Detail. Press the corresponding picture adjustment button, followed by the number buttons to enter a setting value.

- These items can also be adjusted in the OSD menu. (☞ Page 27)

[BRIGHTNESS] Button

Adjusts the brightness of the picture image.
(Factory default value: 50)

[CONTRAST] Button

Adjusts the contrast of the picture image.
(Factory default value: 50)

[COLOR] Button

Adjusts the color density of the picture image.
(Factory default value: 50)

[TINT] Button

Adjusts the hue of the picture image.
(Factory default value: 50)

- Adjust this when the colors in the video image do not seem balanced under the current tint settings.
- This item cannot be adjusted for component (YPrPb) signals.

[DETAIL] Button

Adjusts the image quality.
(Factory default value: 4)

- Select your preferred setting values according to the image to be viewed.

NOTE:

The buttons below will not function if "SET: 1080i TO 1080p" is set to "HIGH BANDWIDTH MODE". In this case, a "HIGH BANDWIDTH MODE KEY NOT VALID" message will appear on the LCD.

- [DETAIL] Button
- [ANAMORPHIC] Button
- [4:3] Button
- [LETTERBOX] Button

7 Picture Size Adjustment Buttons

Use these to set the aspect ratio of video signal output from this unit.

- Set the screen shape (aspect ratio) in the Setup menu. (☞ Page 22)

[ANAMORPHIC] Button

Select this during output of 16:9 video signals.

- When input images are cinema images (aspect ratio of 2.35:1), these will be output as 16:9 video signals with a black band at the upper and lower ends of the image.

[4:3] Button

Select this during output of 4:3 video signals.

CAUTION:

Do not leave those other than 16:9 images (4:3, etc.) with a 16:9 screen on for long periods of time. This can cause permanent image burn-in. Image burn-in is not covered by warranty.

[LETTERBOX] Button

When using a 4:3 source on a 16:9 screen, black bars will appear on the left and right of the image. Select this to clear the black bars and for the image to fill the screen. The image will fill the screen but part of the image at the top and bottom will not be displayed.

8 [OFF] Button

Press this to switch to the standby mode when the power of this unit is turned On. (☞ Page 19)

9 Power On Button

Press to turn the unit On when it is in the standby mode. (☞ Page 18)

10 [STORE] Button

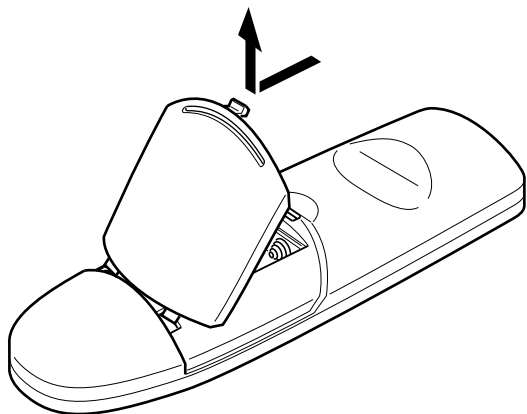
Press this button to select an output scan rate ("SET: NTSC SCANRATE" or "SET: PAL SCANRATE" of Setup menu), store the profile data upon modifying, or invoke a profile number. (☞ Page 26).

Loading Batteries into the Remote Control

Load batteries into the remote control. If the remote control starts to function erratically, replace the batteries with new ones.

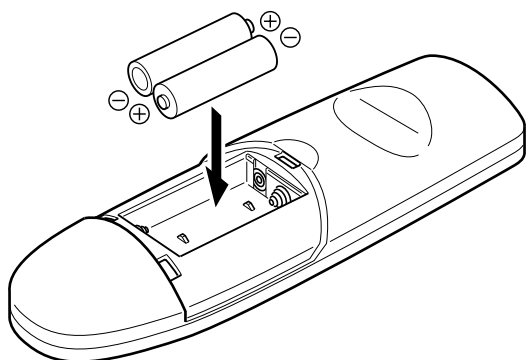
1 Open the back cover

To open, push the top of the back cover towards you.



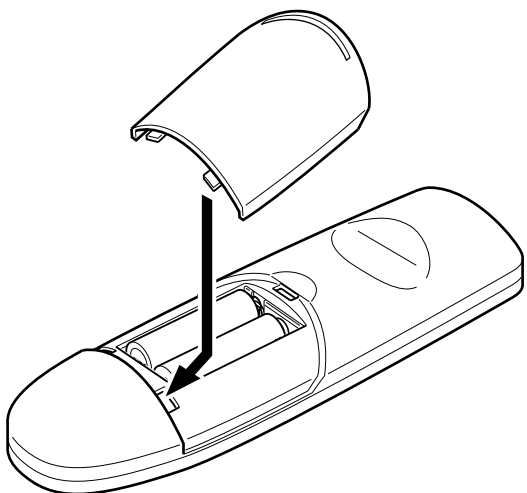
2 Load the batteries

Insert the 2 (AAA) batteries supplied according to the \oplus , \ominus marks. To prevent short circuit, be sure to insert the \ominus (minus) end of the battery first.



3 Close the back cover

To close, fit the tab of the back cover into the groove of the remote control.



Precautions for Using Batteries

If batteries are incorrectly used, they may crack or leak. This could cause fire, burn, malfunction, and staining or damaging of the surroundings.

Beware of the following:

- Do not mix new and old batteries.
- Do not mix different type of batteries as they are different in characteristics.
- Insert batteries according to the \oplus \ominus marks on the battery case.
- Be sure to insert the minus \ominus end in first to prevent short circuit.
- Do not put batteries into fire or recharge them.
- Use only designated batteries.
- Remove the batteries if the remote control is not to be used for a prolonged period.
- Use manganese batteries wherever possible. Do not use rechargeable, alkaline batteries.
- Read the cautions displayed on the batteries.

Battery Life

Batteries last for 6 months to 1 year under normal use. However, batteries provided are for confirming operation and may not last that long.

Battery Leakage

When the batteries are totally exhausted and can no longer be used, replace them immediately.

Leaving the batteries in the battery compartment causes leakage, which may in turn lead to malfunction.

Precautions for Installation

Please read the following carefully when installing this unit.

Installation Environment

This unit is a precision device. Do not install it at the following places. Doing so may cause fire or malfunction of the unit.

- Where there is water, humidity or dust
- Where the unit may be subjected to oily or cigarette smoke
- On a soft surface such as carpet or cushion
- Where the unit may be subjected to high temperature due to direct sunlight
- When temperature is high or low

Check that it is well ventilated before installing on a rack. When devices that emit heat, such as power amplifiers, are to be installed on a rack, mount a fan on the rack as well.

Allowable operation temperature range: +5 °C to +35 °C

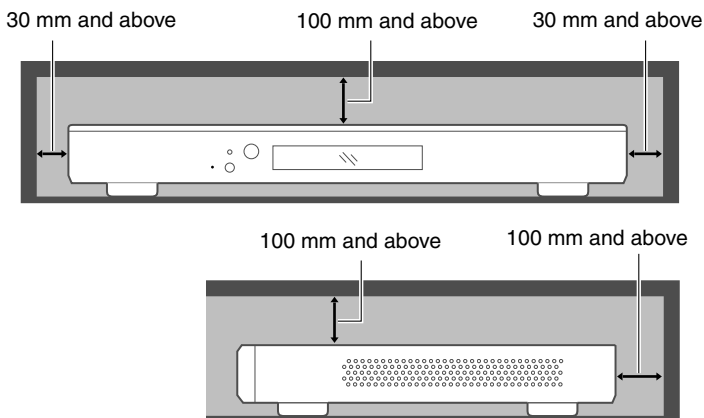
Allowable relative humidity range: 20 % to 80 % (no condensation)

Allowable storage temperature range: -10 °C to +60 °C

- Any room in which there is cigarette smoke or grease

Even where smoke and grease levels are minimal, prolonged exposure will affect this unit and may cause malfunctioning.

Minimum Space Required



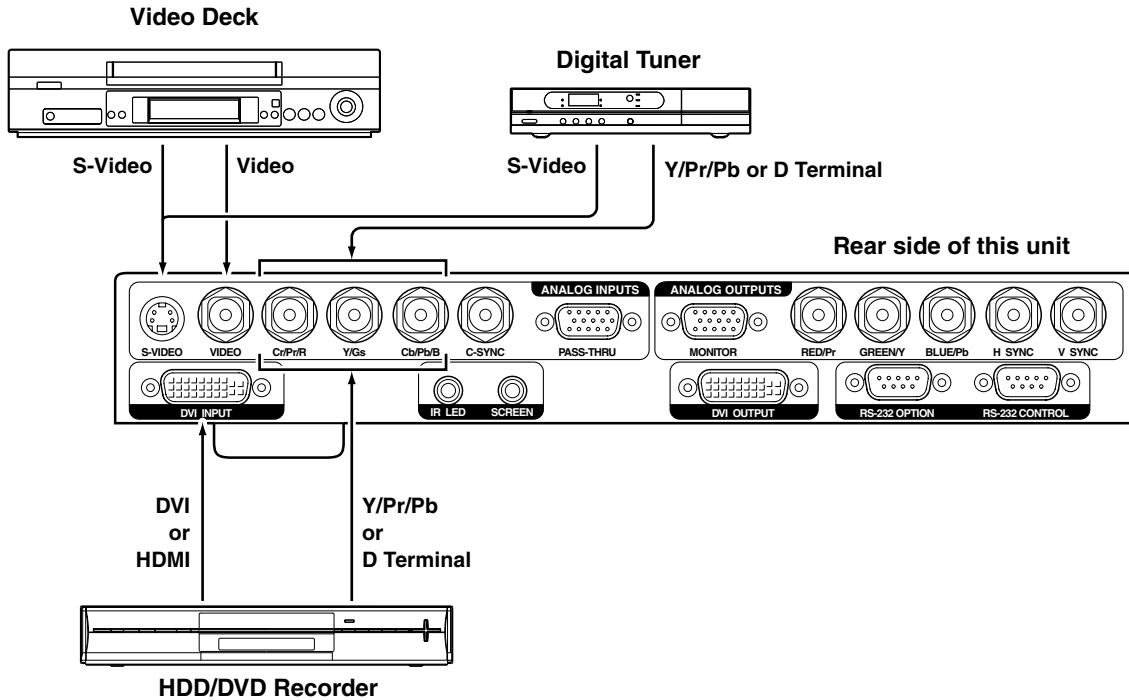
- Do not place this unit in an enclosed area or block the air inlets and exhaust vents. Allow sufficient space around this unit for emission of heat.
- Check that it is well ventilated before installing on a rack. When devices that emit heat, such as power amplifiers, are to be installed on a rack, mount a fan on the rack as well.

Connecting to Devices

Before connection, be sure to turn off both this unit and the device to be connected.

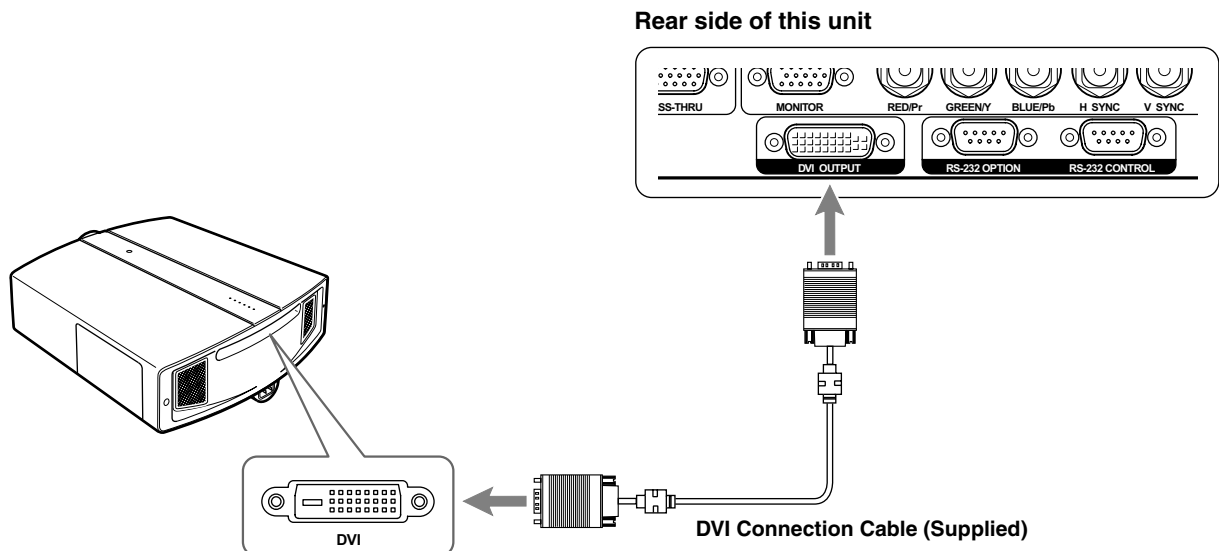
Connecting to Input Devices

- Read the manual that is supplied with the input device to be connected thoroughly.
- See below for an illustration of the devices used and method of connection.



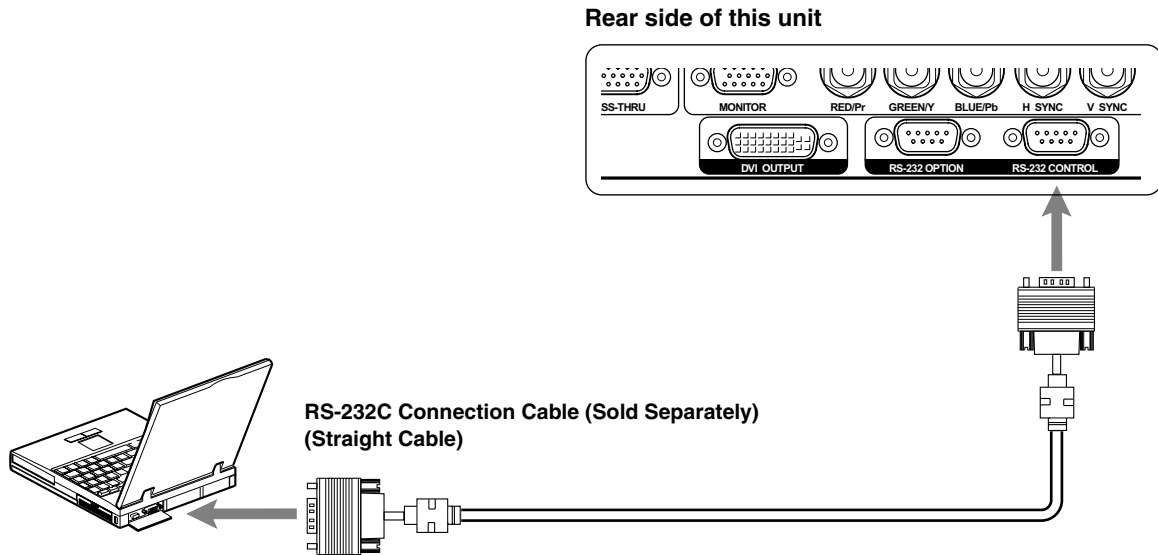
Connecting to a projector

- Read the manual that is supplied with the projector to be connected thoroughly.
- Use the DVI cable supplied with this unit. Use of a split system or optical fiber cable is recommended when using a cable that is longer than the length of the supplied DVI cable.
- Depending on the capability of the DVI cable used, signals may attenuate or video images may become unstable.



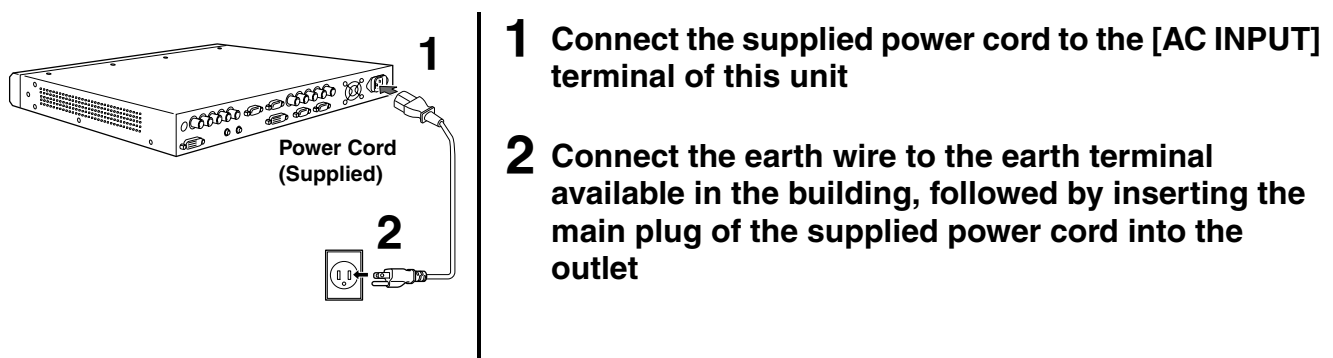
Control from external device

It is possible to control this unit by connecting a computer to the [RS-232 CONTROL] terminal at the rear of this unit. Please request a connection cable from us if needed. For details, please consult your authorized dealer.



Connecting the Power Cord (Supplied)

Before plugging in the power cord, ensure that all devices have been connected.

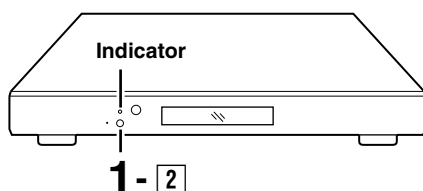
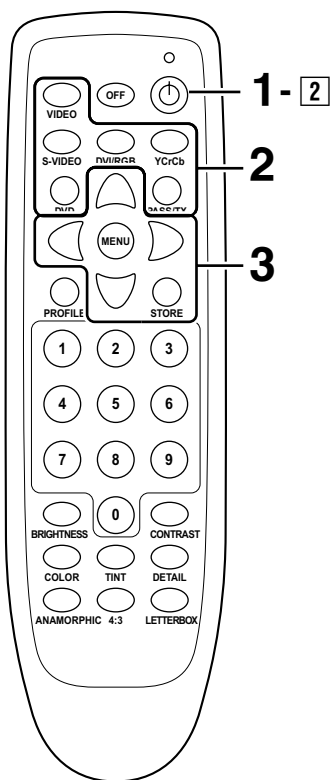


Cautions Against Fire and Electric Shock

- When not using devices, remove the power plug from the wall outlet.
- Do not use power cords for connection other than those supplied.
- Do not use a power voltage different from that which is indicated.
- Do not cut, tear or modify the power cords. Also, do not place a heavy object on, heat or stretch the power cords as this may cause damage to the cords.
- Do not insert or pull out plugs with a wet hand.

Basic Operation Procedures

Simply perform the following steps to start viewing video images. If other settings are required, please do so by referring to “Adjustments and Settings Using Menu”.



Preparation:

- Turn on the power of the input device and projector.

1 Turning on the power

1 Insert the power plug to the power outlet

- This unit starts to initialize upon inserting the power plug to the outlet.
- After initialization is complete, the unit switches to the standby mode (indicator lights up in red).

2 Press the Power On button on the remote control (or the Power/Standby button on the processor)

- The indicator on the processor lights up in green.

2 Press an input selection button on the remote control to select the input source

- It may take a while to display the screen upon input of a HDCP signal.
- A “RATE NOT SUPPORTED” message will appear on the LCD if a signal that is not compatible with this unit has been input.

3 Setting the output resolution

1 Press the [MENU] button on the remote control for 7 seconds to enter the Setup menu

2 Press the [▲/▼] buttons to select “SET: NTSC SCANRATE” or “SET: PAL SCANRATE”

- Select “SET: NTSC SCANRATE” when the input signal is an NTSC signal.
- Select “SET: PAL SCANRATE” when the input signal is a PAL signal.

3 Press the [▲/▼] buttons to select “1920 × 1080” or “1920 × 1080/50Hz”

- Select “1920 × 1080” when the input signal is an NTSC signal.
- Select “1920 × 1080/50Hz” when the input signal is a PAL signal.

4 Press the [STORE] button twice to save the output resolution

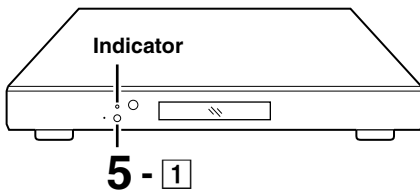
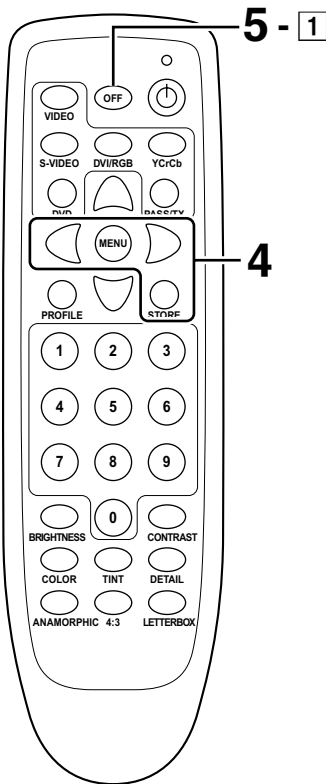
- An image will appear on the screen.

5 Press the [MENU] button twice to end

NOTE:

When using a 4:3 screen, perform the following setting as well after setting the output resolution.

1. Set “SET: SCREEN SHAPE” of the Setup menu to “4:3” (☞ Page 22)
2. Press the [4:3] button on the remote control
 - The output video signals of this unit are now set to an aspect ratio of 4:3.
 - This can also be set in the OSD menu. (☞ Page 26)



4 Store the settings in steps 2 and 3 in a profile

- 1** Press the [STORE] button
 - The “Store 1 2 3 4” menu appears on the screen.
- 2** Press the [◀▶] buttons to select the number to save settings to
- 3** Press the [STORE] button to save the settings
 - The “COMPLETE” message appears on the LCD.

NOTE:

To store other input images as profiles, repeat steps **2** and **4**.

5 Turning off the power

- 1** Press the [OFF] button on the remote control (or the Power/Standby button on the processor)
 - The indicator on the processor lights up in red.
- 2** Pull out the power plug from the power outlet

NOTE:

To view these images subsequently, simply specify the profile number after turning on the power.

1. Turn on the power of all devices
2. Press the [PROFILE] button
 - The “Recall 1 2 3 4” menu appears on the screen
3. Press the [◀▶] buttons to select the profile number to view
4. Press the [STORE] button to confirm
 - An image will appear on the screen.
 - When settings are altered after invoking a profile, these will automatically overwrite the old settings.
5. Press the [MENU] button to close the OSD menu

Adjustments and Settings Using Menus

The menus of this unit form a structure as shown below. Characters are displayed in English only. The Setup menu is displayed on the LCD. The OSD menu will be displayed on the screen through the projector that is connected to this unit.

Items for Setting in the Setup Menu

SET: NTSC SCANRATE

(Output scan rate setting for NTSC signals)

SET: PAL SCANRATE

(Output scan rate setting for PAL signals)

SET: ACTIVE OUTPUT

(Output signal setting)

SET: SCREEN SHAPE

(Screen shape setting for projector)

SET: ANALOG BLACK LVL

(Level setting for black analog signals)

SET: COMP SYNC ON H

(Composite sync signal setting)

- This setting is not required.

SET: INPUT HD H-ADJUST

(Horizontal position of HD signals)

SET: DVI INPUT LEVEL

(Level setting for DVI digital input signals)

SET: VIDEO INPUT

(Input setting for composite video signals)

SET: S-VIDEO INPUT

(Input setting for S-video signals)

SET: RGB INPUT

(Input setting for RGB signals)

SET: YCrCb INPUT

(Input setting for component video signals)

SET: DVI INPUT

(Input setting for DVI digital signals)

SET: PASSTHRU INPUT

(Pass-through input setting)

SET: RGB INPUT SYNC

(RGB sync signal setting)

SET: DVI INPUT H SYNC

(Horizontal sync signal setting during DVI input)

SET: OSD

(On-screen display setting)

SET: OSD TIMER

(OSD timer setting)

SET: LCD TIMER

(LCD timer setting)

SET: RS232 ECHO

(RS-232C echo setting)

SET: BAUD RATE

(RS-232C baud rate setting)

SET: SCREEN TRIGGER

(Screen trigger setting)

SET: 1080i TO 1080p

(Output rate setting for 1080i signals)

SET: NTSC PROFILE

(Profile setting for NTSC signals)

SET: PAL PROFILE

(Profile setting for PAL signals)

SET: RESTORE FACTORY

(Default setting)

Items for Setting in the OSD Menu

Input-

Formats-Input
Formats-Aspect
Profile-Recall
Profile-Store

Picture-

Brightness
Contrast
Color
Tint
Detail
Adv Color

Display-

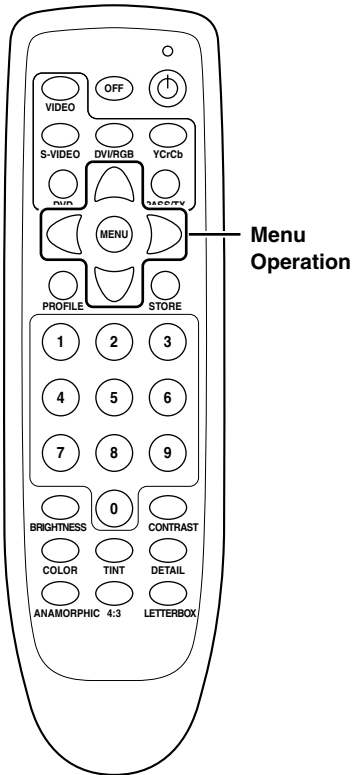
Position-Horizontal (does not function on this processor)
Position-Vertical (does not function on this processor)
Border Lvl
Left (Border)
Right (Border)
Bottom (Border)
Top (Border)

Patterns-

Test Pattern
Select (Pattern)

Operating the Setup Menu

Operate using the buttons on the remote control.



1 Press the [MENU] button for about 7 seconds

- The Setup menu appears on the LCD. On-screen display of the Setup menu is not possible.

SET: NTSC SCANRATE
1280 × 720

2 Press the [▲/▼] buttons to select an item for setting

SET: ACTIVE OUTPUT
ANALOG RGB + DVI

Example: To change the "ACTIVE OUTPUT TYPE" setting value

3 Press the [◀▶] buttons to change the setting value

SET: ACTIVE OUTPUT
DVI

Example: To change "ANALOG RGB+DVI" to "DVI"

NOTE:

To set the scan rate ("SET: NTSC SCANRATE" or "SET: PAL SCANRATE"), select a value, followed by pressing the [STORE] button twice.

4 Repeat steps 2, 3 to set other items

5 Press the [MENU] button twice to exit the Setup menu

Setup Menu Configuration

SET: NTSC SCANRATE

(Output scan rate setting for NTSC signals)

Sets the output scan rate of NTSC signals. Set to "1920 × 1080".

Setting Values:
1280 × 720, 1024 × 768, 1280 × 768, 1366 × 768,
1440 × 960, 1280 × 1024, DILA, DILA3,
1920 × 1080, 1400 × 788, 1920 × 540, 800 × 600
Default Value: 1280 × 720

- Press the [STORE] button twice to confirm the setting and store it as a profile. Please refer to 19 and 26 for details on profile setting.

SET: PAL SCANRATE

(Output scan rate setting for PAL signals)

Sets the output scan rate of PAL signals. Set to "1920 × 1080/50Hz".

Setting Values:
1280 × 720/50Hz, 1024 × 768/75Hz, 1024 × 768/
100Hz, 1920 × 1080/50Hz, 720 × 576/50Hz, 720 ×
576/100Hz
Default Value: 1280 × 720/50Hz

- Press the [STORE] button twice to confirm the setting and store it as a profile. Please refer to 19 and 26 for details on profile setting.

SET: ACTIVE OUTPUT

(Output signal setting)

Sets whether to output analog signals (BNC, D-sub) or digital signals (DVI) to the output terminal of this unit.

Setting Values:
ANALOG RGB+DVI, ANALOG YPrPb, DVI, ANALOG
RGB
Default Value: ANALOG RGB+DVI

- Select "ANALOG RGB+DVI" to output both digital and analog signals. However, output of YPrPb signals is not possible.
- Each of the output format can be stored as a separate profile. (☞ Pages 19, 26)
- There will be no output to the analog terminal when HDCP signals are input to the DVI input terminal of this unit. In this case, an "ENCRYPTED SOURCE ANALOG OUT DISABLE" message will appear on the LCD.

SET: SCREEN SHAPE

(Screen shape setting for projector)

Sets the screen shape of the projector that is connected to this unit.

Setting Values: WIDESCREEN, WIDE 4:3, 4:3
Default Value: WIDESCREEN

■ WIDESCREEN

Choose this when projecting 16:9 or 2.35:1 images from the projector onto a wide screen.

■ WIDE 4:3

Choose this when projecting a 4:3 image from the projector onto a wide screen. (Not available on units scanning at rates below 720p.)

■ 4:3

Select this when using a 4:3 screen.

SET: ANALOG BLACK LVL

(Level setting for black analog signals)

Sets the black signal level of the YPrPb component video signal.

Setting Values: 0 IRE, 7.5 IRE
Default Value: 7.5 IRE

SET: COMP SYNC ON H

(Composite sync signal setting)

Sets the horizontal/vertical sync signals when connected via the analog RGB output (4-wire connection). When this is set to "ON", composite sync signals will be output from the [H SYNC] terminal.

Setting Values: OFF, ON
Default Value: OFF

- This processor is used via a DVI connection to the projector, and therefore this setting is not required.
- Setting is enabled when you select "ANALOG RGB+DVI" or "ANALOG RGB" in the "SET: ACTIVE OUTPUT" setting.

SET: INPUT HD H-ADJUST
(Horizontal position of HD signals)

Aligns the horizontal position of normal video images to high quality images (720p/1080i).

[Setting Values: 0–50
Default Value: 25]

- Aligns an appropriate image size with the image position on the screen by using test patterns from the DVD. Adjustment is first performed at the “H/V-Position” position of the OSD menu on this unit. This is followed by the actual adjustment using the HD signals.

SET: DVI INPUT LEVEL
(Setting for DVI digital input signals)

Sets the signal level of DVI input signals.

[Setting Values: 16-235, 0-255
Default Value: 0-255]

- Sets to match the signal level of your input device.

SET: VIDEO INPUT
(Input setting for composite video signals)

Sets whether to use the video input terminal or not.

[Setting Values: ENABLE, DISABLE
Default Value: ENABLE]

- When this is set to “DISABLE” (do not use), the “Video” item cannot be selected for “INPUT” in the OSD menu.
- It is not possible to set all terminals to “DISABLE” (do not use). “SET: VIDEO INPUT” will be automatically set to “ENABLE” (use) upon doing so.

SET: S-VIDEO INPUT
(Input setting for S-video signals)

Sets whether to use the S-video input terminal or not.

[Setting Values: ENABLE, DISABLE
Default Value: ENABLE]

- When this is set to “DISABLE” (do not use), the “S-Video” item cannot be selected for “INPUT” in the OSD menu.

SET: RGB INPUT
(Input setting for RGB signals)

Sets whether to use the RGB input terminal or not.

[Setting Values: ENABLE, DISABLE
Default Value: ENABLE]

- When this is set to “DISABLE” (do not use), the “RGB” item cannot be selected for “INPUT” in the OSD menu.

SET: YCrCb INPUT
(Input setting for component video signals)

Sets whether to use the component video input terminal or not.

[Setting Values: ENABLE, DISABLE
Default Value: ENABLE]

- When this is set to “DISABLE” (do not use), the “YCrCb” item cannot be selected for “INPUT” in the OSD menu.

SET: DVI INPUT
(Input setting for DVI digital signals)

Sets whether to use the DVI input terminal or not.

[Setting Values: ENABLE, DISABLE
Default Value: ENABLE]

- When this is set to “DISABLE” (do not use), the “DVI” item cannot be selected for “INPUT” in the OSD menu.

SET: PASSTHRU INPUT
(Pass-through input setting)

Sets whether to use pass-through or not.

[Setting Values: ENABLE, DISABLE
Default Value: ENABLE]

SET: RGB INPUT SYNC
(RGB sync signal setting)

Sets the sync signal during RGB signal input.

[Setting Values: SYNC ON GREEN, COMPOSITE SYNC
Default Value: SYNC ON GREEN]

- This setting is enabled when RGB input is selected.
- Select “COMPOSITE SYNC” for PAL RGB signals.

SET: DVI INPUT H SYNC

(Horizontal sync signal setting during DVI input)

Sets when horizontal sync signals do not match.

[Setting Values: NORMAL, WIDE
Default Value: NORMAL]

- This setting is enabled when DVI input is selected.

SET: OSD

(On-screen display setting)

Sets whether to display the OSD menu on the screen.

[Setting Values: ON, OFF
Default Value: ON]

SET: OSD TIMER

(OSD timer setting)

Sets the on-screen display time.

[Setting Values: 0–255
Default Value: 30]

SET: LCD TIMER

(LCD timer setting)

Sets the backlight of the LCD.

[Setting Values: ALWAYS ON, 06–255
Default Value: 30]

SET: RS232 ECHO

(RS-232C echo setting)

Set to “ON” when returning a RS-232C command from this unit to an external control device. Please refer to 30 for details on RS-232C codes.

[Setting Values: ON, OFF
Default Value: ON]

SET: BAUD RATE

(RS-232C baud rate setting)

Sets the baud rate of RS-232C.

[Setting Values: 9600, 19200, 57600
Default Value: 19200]

SET: SCREEN TRIGGER

(Screen trigger setting)

Controls the screen trigger-compatible elevating screen. Set this to “ON” to output DC +12 V from the [SCREEN] terminal when the power of this unit is on. No output when this is set to “OFF”.

[Setting Values: ON, OFF
Default Value: ON]

SET: 1080i TO 1080p

(Output scan rate setting for 1080i signals)

Sets the mode of converting 1080i signals. This is enabled only when the output scan rate is set to 1080i. Select “HIGH BANDWIDTH MODE” to convert to a maximum bandwidth without adjusting the picture image (level, aspect ratio, etc.). Select “ENHANCED MODE” for a full image adjustment and minimum reduction in bandwidth.

[Setting Values:
HIGH BANDWIDTH MODE, ENHANCED MODE
Default Value: HIGH BANDWIDTH MODE]

- This setting is enabled when the image output signal (“SET: NTSC SCANRATE” or “SET: PAL SCANRATE”) is set to “1920 × 1080” or “1920 × 1080/50Hz”.

SET: NTSC PROFILE

(Profile setting for NTSC signals)

Stores all setting values of the NTSC signal to the selected profile number.

[Setting Values: STORE PROFILE 1–8
Default Value: STORE PROFILE 1]

SET: PAL PROFILE

(Profile setting for PAL signals)

Stores all setting values of the PAL signal to the selected profile number.

[Setting Values: STORE PROFILE 1–8
Default Value: STORE PROFILE 1]

SET: RESTORE FACTORY

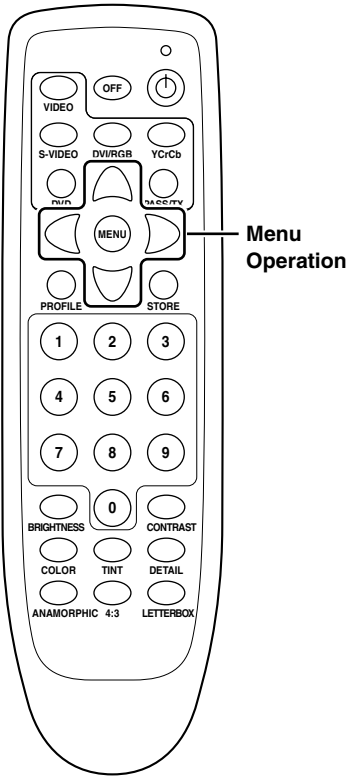
(Default setting)

Restores to the factory settings.

- Performing this setting clears all profiles and setting values.
- Use this command when this unit is unable to function properly at all, or after all system checks have been completed.
- Before using this command, unplug the power plug of this unit. Alternatively, press the reset switch at the front of this unit (inside the hole) lightly using a non-pointed, stiff thin rod. This will reset the software without clearing the settings.

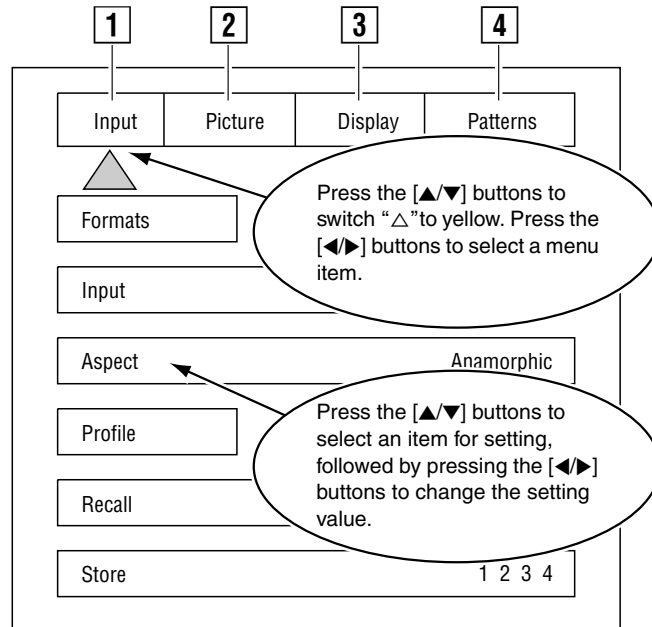
Operating the OSD Menu

The menus are operated using buttons on the remote control unit. Characters are displayed in English only.



1 Press the [MENU] button

- The OSD menu is displayed on the screen. Press again to clear the OSD menu screen.



2 Press the [▲/▼] buttons to switch "△" on the upper part of the OSD menu to yellow

3 Press the [◀▶] buttons to select a menu item (Input/Picture/Display/Patterns)

- Doing so displays a list of setting items for the selected menu item.

4 Press the [▲/▼] buttons to select an item for setting

5 Press the [◀▶] buttons to change the setting value

6 Press the [▲/▼] buttons to return to the OSD menu screen

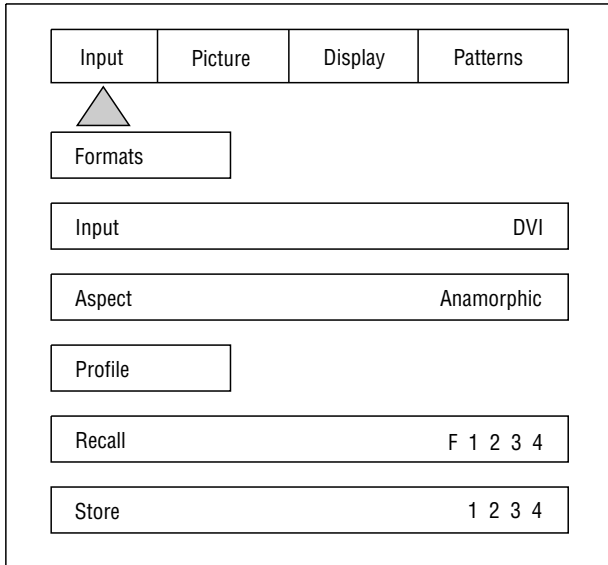
7 Repeat steps 2 to 6 to set other items

8 Press the [MENU] button to exit the OSD menu

OSD Menu Configuration

1 Input Menu

- “Input” setting of the “Input” menu can also be set using the input selection buttons on the remote control. (Page 12)



Formats

Input

Sets signals to input to this unit.

[Setting Values: DVI, Video, S-Video, RGB, YCrCb
Default Value: DVI]

Aspect

Use these to set the aspect ratio of video signal output from this unit.

[Setting Values: Anamorphic, Letterbox, 4×3
Default Value: Anamorphic]

- Sets the screen’s aspect ratio in the Setup menu. When the “Anamorphic” aspect ratio is selected while the screen shape setting is set to “4:3” and “WIDE 4:3”, signals at a scan rate of 480p, 540p and 600p and those that have undergone frame doubling cannot be used.
- When using a 4:3 source on a Wide Angle screen, a black bar will appear on the left and right sides of the image. The sidebars can be changed to gray color by adjusting “Border Lvl” in the “Display” menu. If filling the entire screen is desired, set “Aspect” of the “Input” menu to “Letterbox”. The image will fill the screen but part of the image at the top and bottom will not be displayed (overscanned).
- When watching 2.35:1 aspect ratio movies on a 16:9 (1:77) screen, it is normal to see black bars at the top and bottom of the image.

CAUTION:

Do not project images except for those at 16:9 (e.g. 4:3, etc.) on display devices with a screen size of 16:9 for long periods of time. This can cause permanent image burn-in. Image burn-in is not covered by warranty.

Profile Button

Recall

Invokes the stored profile.

[Setting Values: F (Factory), 1, 2, 3, 4, 5, 6, 7, 8]

Store

Stores up to 8 profiles each for NTSC and PAL.

[Setting Values: 1, 2, 3, 4, 5, 6, 7, 8]

■ Storing a profile

1. Press the [MENU] button on the remote control to display the OSD menu
2. Set (Adjust) accordingly
3. Press the [▲/▼] buttons to select “Store”
4. Press the [◀/▶] buttons to select a profile number (1 to 8) to store the settings to
5. Press the [STORE] button to save the profile

■ Invoking a profile

1. Press the [MENU] button on the remote control to display the OSD menu
2. Press the [▲/▼] buttons to select “Recall”
3. Press the [◀/▶] buttons to select a profile number (1 to 8) to invoke
4. Press the [STORE] button to invoke the profile

NOTES:

- When settings are altered after invoking a profile, these will automatically overwrite the old settings.
- It is also possible to invoke a profile from the computer via RS-232C.

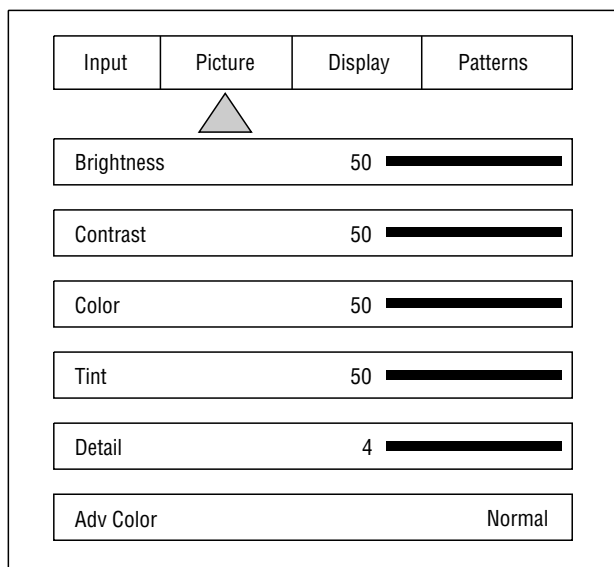
NOTE:

The menus below will not function if “SET: 1080i TO 1080p” is set to “HIGH BANDWIDTH MODE”.

- Aspect
- Tint
- Detail
- Adv Color (Advanced Color System)
- Display

2 Picture Menu

- “Brightness”, “Contrast”, “Color”, “Tint” and “Detail” can also be adjusted outside the OSD menu. Press the [BRIGHTNESS] button on the remote control, followed by the number buttons to enter a setting value.



Brightness Button

Adjusts the brightness of the picture image.

[Setting Values: 0–100
Default Value: 50]

- Adjustment is also possible by pressing the [BRIGHTNESS] button on the remote control. Press the [BRIGHTNESS] button, followed by the number buttons to enter a setting value.

Contrast

Adjusts the contrast of the picture image.

[Setting Values: 0–100
Default Value: 50]

Color

Adjusts the color density of the picture image.

[Setting Values: 0–100
Default Value: 50]

Tint

Adjusts the hue of the picture image.

[Setting Values: 0–100
Default Value: 50]

- Adjust this when the colors in the video image do not seem balanced under the current tint settings.
- This item cannot be adjusted for component (YPrPb) signals.

Detail

Adjusts the image quality.

[Setting Values: 0–15
Default Value: 4]

- Select your preferred setting values according to the image to be viewed.

Adv Color (Advanced Color System)

For some DVDs with computer animation or with very high levels of color, the chroma edge processing circuits may not be needed and this can be set to “OFF(Bypass)”. For most sources, the “Normal” setting should be selected.

[Setting Values: Normal, Bypass
Default Value: Normal]

NOTE:

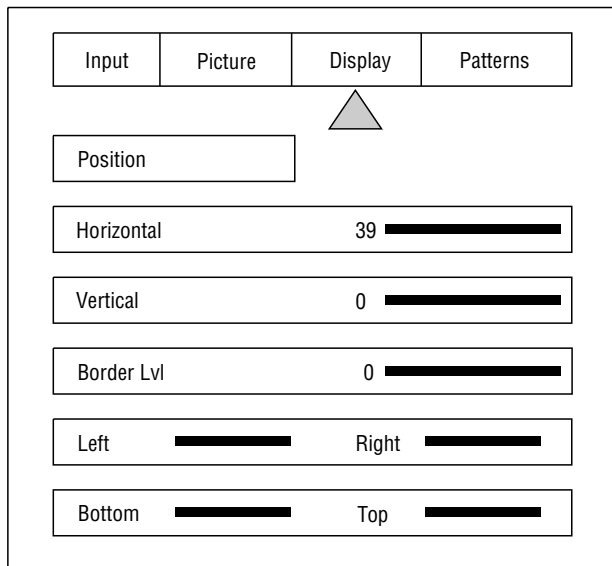
The menus below will not function if “SET: 1080i TO 1080p” is set to “HIGH BANDWIDTH MODE”.

- Aspect
- Tint
- Detail
- Adv Color (Advanced Color System)
- Display

Adjustments and Settings Using Menus (continued)

3 Display Menu

The Display menu will not function if "SET: 1080i TO 1080p" is set to "HIGH BANDWIDTH MODE".



Position

Horizontal

Does not function on this processor.

Vertical

Does not function on this processor.

Border Lvl

Adjusts the blanking level (border level) from black to white. When using a 4:3 source on a 16:9 screen, black bars will appear on the left and right of the image. Adjust these bars to gray color.

[Setting Values: 0–100
Default Value: 0]

Left

Adjusts the blanking level at the left edge. The setting value will be displayed on the LCD.

[Setting Values: 0–100
Default Value: 0]

Right

Adjusts the blanking level at the right edge. The setting value will be displayed on the LCD.

[Setting Values: 0–100
Default Value: 100]

Bottom

Adjusts the blanking level at the bottom edge. The setting value will be displayed on the LCD.

[Setting Values: 0–100
Default Value: 0]

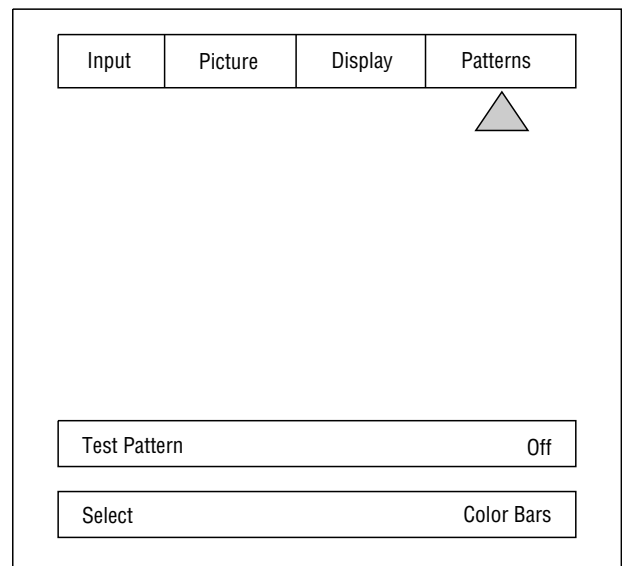
Top

Adjusts the blanking level at the top edge. The setting value will be displayed on the LCD.

[Setting Values: 0–100
Default Value: 100]

4 Patterns Menu

The test pattern in this unit. Used for image adjustment, etc. It is not possible to adjust the test pattern itself.



Test Pattern

Sets whether to use the test pattern in this unit or not.

[Setting Values: Off, On
Default Value: Off]

Select

Selects the test pattern to output.

[Setting Values:
Color Bars, Pluge, Window, Multiburst, Border,
Converge, Blue, Red, Green, Black, Cr Ramp, Cb
Ramp, Y Ramp, Grey Step, Rev Bars
Default Value: Color Bars]

Warning Displays

When the internal temperature of the unit is high during operation, a warning message will appear on the LCD.

Message	Description of Warning	Actions
“LEVEL 1 WARNING HIGH TEMPERATURE”	Displayed when the internal temperature of the unit is higher than during normal operation.	Turn off the power of the unit and allow the interior to cool down. Upon doing so, check that the air inlets are not blocked and start up the basic operation as usual.
“LEVEL 2 WARNING HIGH TEMPERATURE”	Displayed when the internal temperature of the unit has risen close to the specified value.	Turn off the power of the unit immediately and allow the interior to cool down. Upon doing so, check that the air inlets are not blocked and start up the basic operation as usual.
“LEVEL 3 WARNING EXCESSIVE TEMPERATURE”	Displayed when the internal temperature of the unit has risen to the specified value. The power of this unit will be turned off automatically after the warning message is displayed for 5 seconds.	Pull out the power plug from the outlet and allow the interior to cool down. Upon doing so, check that the air inlets are not blocked and start up the basic operation as usual.

RS-232C External Control Description

Control of this unit is possible via a computer by connecting the computer to this unit with an RS-232C straight cable (sold separately). The following is a list of commands required for the control. For details, please consult your authorized dealer.

Command Format

When sending a control command to this unit, insert a comma after the DVP header (without spacing), followed by specifying the command. The “#” shown in each command code represents a parameter (numerical value).

Example: To turn on the power of this unit

dvp, on [↵ Enter]

([↵ Enter] denotes carriage return)

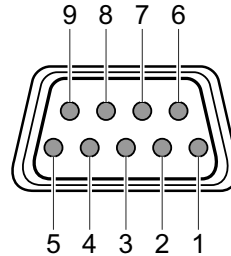
- Upon sending the command to turn on the unit, do not send the next command until this unit has started up (end of initialization).

It is possible to send multiple commands at the same time. To do so, specify the commands before the carriage return and delimit each function command using a comma.

Example : **dvp, on, x, a2,srn4 [↵ Enter]**

(Control command = header, power on, YCrCb (component) input, 16:9, 1280 × 720 scan rate [carriage return])

RS-232C Terminal



Pin No.	Signal Name
1	N/C
2	RD
3	TD
4	N/C
5	GND
6	N/C
7	N/C
8	N/C
9	N/C

About Computers

Control this unit from a computer using the standard Windows Hyper Terminal software. Set the computer as follows and connect using a standard RS-232C straight cable (D-sub 9 pin).

Communication speed : 19200 bps

Data bit : 8 bit

Parity : Nil

Stop bit : 1 bit

Flow Control : Nil

RS-232C Control Commands

■ Operation Commands

Code	Range	Description
A#	(0–2) 0 = 4:3, 1 = Letterbox, 2 = 16:9	Input Aspect Ratio
B#	(0–100) 50 (Default value)	Brightness
C#	(0–100) 50 (Default value)	Contrast
D#	(0–15) 4 (Default value)	Detail
DVI		DVI Input
EXT		Pass-through Input
FST		Report current system status
HELP		Display full list of commands
K#	(0–100) 50 (Default value)	Color
OFF		Power OFF
ON		Power ON
P#	(0– 8) [1– 8 = User, 0 = Factory]	Recall profile
PM#	(0– 1) [0= Normal, 1= Bypass]	Advanced Color System
R		RGB Input
ST		Report current status
STHELP		Display Setup menu
STNP#	(1–8)	Store NTSC profile
STPP#	(1–8)	Store PAL profile
T#	(0–100) 50 (Default value)	Tint
V		Video Input
X		YCrCb Input
Y		S-Video Input

■ Setup Commands

Code	Range	Description
BB#	(0–100) 0 (Default value)	Bottom Blanking
BL#	(0–100) 100 (Default value)	Blanking level of bars on video image (black to white)
BLT#	(06–255)	LCD Backlight Timer on front panel
BLV#	(0 = 0 IRE, 1= 7.5 IRE)	Black Level
CR#	(0 = 0-255, 1= 16-235)	DVI Input Level
CS#	(1 = ON, 0= OFF)	Composite Sync Signal (RGB Output)
DHS#	(0 = NORMAL, 1= WIDE)	Horizontal Sync Signal of DVI Input
DVID		DVI Input disabled
DVIE		DVI Input enabled
E#	(1= ON, 0= OFF)	RS-232C ECHO
EX#	(0 = SYNC ON GREEN, 1= COMPOSITE SYNC)	RGB Input Sync Signal
EXTD		Pass-through Input disabled
EXTE		Pass-through Input enabled
HDPROC#	(0 = ENHANCED MODE, 1= HIGH BANDWIDTH MODE)	Output scan rate setting for 1080i signals
HP#	(0–50) 39 (Default value)	Horizontal Position
IHA#	(0–50) 25 (Default value)	Adjustment of horizontal position of HD signals
LB#	(0–100) 0 (Default value)	Left Blanking
M#	(0 = RGB, 1= YPrPb)	Output Format
OSDOFF		OSD Off
OSDON		OSD On

RS-232C External Control Description (continued)

Code	Range	Description
OSDT#	(0–255) 30 (Default value)	OSD Timer
OUTMOD	(0 = ANALOG YPrPb, 1 = DVI, 2 = ANALOG RGB, 3 = ANALOG RGB+DVI)	Output Mode
RB#	(0–100) 100 (Default value)	Right Blanking
RD		RGB Input disabled
RE		RGB Input enabled
SCRTRG#	(1 = ON, 0= OFF)	12 V Screen Trigger
SETFT		Restore factory defaults
SRN#	(1–12)	Select NTSC scan rate
SRNHELP		NTSC Scan Rate Help Menu
SRP#	(1–6)	Select PAL scan rate
SRPHELP		PAL Scan Rate Help Menu
TB#	(0–100) 100 (Default value)	Top Blanking
TPHLP		Display test pattern Help menu
STHELP		Setup Help Menu
VP#	(0–20) 0 (Default value)	Vertical Position
VPOL#	(0 = Neg, 1= Pos)	Vsync Polarity
W#	(0 = 4:3, 1= WIDESCREEN, 2= WIDE 4:3)	Screen Shape
XD		YCrCb Input disabled
XE		YCrCb Input enabled
YD		S-video Input disabled
YE		S-video Input enabled

■ NTSC Scan Rate List

- This unit uses NTSC scan rate “1920 × 1080”. Other scan rates are not used.

SRN1	1400 × 788	SRN2	1920 × 540
SRN3	800 × 600	SRN4	1280 × 720
SRN5	1024 × 768	SRN6	1280 × 768
SRN7	1366 × 768	SRN8	1440 × 960
SRN9	1280 × 1024	SRN10	1365 × 1024 (DILA)
SRN11	1400 × 1050 (DILA3)	SRN12	1920 × 1080

■ PAL Scan Rate List

- This unit uses PAL scan rate “1920 × 1080/50Hz”. Other scan rates are not used.

SRP1	720 × 576/50Hz	SRP2	720 × 576/100Hz
SRP3	1280 × 720/50Hz	SRP4	1024 × 768/75Hz
SRP5	1024 × 768/100Hz	SRP6	1920 × 1080/50Hz

■ Test Pattern Help Menu

TP0	Test Pattern Off	TP1	Color Bars
TP2	Rev Bars	TP3	Grey Step
TP4	Y Ramp	TP5	Cb Ramp
TP6	Cr Ramp	TP7	Black
TP8	Green	TP9	Red
TP10	Blue	TP11	Converge
TP12	Border	TP13	Multiburst
TP14	Window	TP15	Pluge

Specifications

■ Model Name/Article Name	LD-HD2KBU/LD-HD2KBE Digital Video Processor																																				
■ Color System	NTSC, PAL (Auto switching)																																				
■ Input Terminals	Video input: 480i/480p/576i/576p/720p/1080i																																				
VIDEO	1-line, BNC × 1 1.0 Vp-p																																				
S-VIDEO	1-line, mini-DIN 4 pin × 1 Y: 1.0 Vp-p, C: 0.286 Vp-p																																				
R, Gs ,B, C-SYNC	1-line, BNC × 4 R/G/B: 0.7 Vp-p, C-SYNC: 1.0 Vp-p																																				
Y, Pr, Pb	1-line, BNC × 3 Y: 1.0 Vp-p, Pr/Pb: 0.7 Vp-p																																				
DVI INPUT	1-line, DVI-D 24 pin, *HDCP-compatible																																				
PASS-THRU	1-line, D-sub 15 pin <table border="1" style="margin-left: 20px;"> <thead> <tr> <th>Pin No.</th> <th>Signal Name</th> <th>Pin No.</th> <th>Signal Name</th> <th>Pin No.</th> <th>Signal Name</th> </tr> </thead> <tbody> <tr> <td>1</td> <td>Red, Pr</td> <td>6</td> <td>GND</td> <td>11</td> <td>—</td> </tr> <tr> <td>2</td> <td>Green, Y</td> <td>7</td> <td>GND</td> <td>12</td> <td>—</td> </tr> <tr> <td>3</td> <td>Blue, Pb</td> <td>8</td> <td>GND</td> <td>13</td> <td>H-sync</td> </tr> <tr> <td>4</td> <td>—</td> <td>9</td> <td>—</td> <td>14</td> <td>V-sync</td> </tr> <tr> <td>5</td> <td>GND</td> <td>10</td> <td>GND</td> <td>15</td> <td>—</td> </tr> </tbody> </table>	Pin No.	Signal Name	Pin No.	Signal Name	Pin No.	Signal Name	1	Red, Pr	6	GND	11	—	2	Green, Y	7	GND	12	—	3	Blue, Pb	8	GND	13	H-sync	4	—	9	—	14	V-sync	5	GND	10	GND	15	—
Pin No.	Signal Name	Pin No.	Signal Name	Pin No.	Signal Name																																
1	Red, Pr	6	GND	11	—																																
2	Green, Y	7	GND	12	—																																
3	Blue, Pb	8	GND	13	H-sync																																
4	—	9	—	14	V-sync																																
5	GND	10	GND	15	—																																
RS-232 CONTROL	1-line, D-sub 9 pin, RS-232C (External control)																																				
IR LED	Cannot be used with this processor.																																				
RS-232C OPTION	Cannot be used with this processor.																																				
■ Output Terminals	Output Signal: 1080/50p, 1080/60p																																				
R, G, B, H/V-SYNC	1-line, BNC × 5 R/G/B: 0.7 Vp-p/75 Ω, H/V SYNC: 4.5 V/2 kΩ																																				
Y, Pr, Pb	1-line, BNC × 3 Y: 1.0 Vp-p, Pr/Pb: 0.7 Vp-p																																				
MONITOR	1-line, D-sub 15 pin R/G/B/Pr/Pb: 0.7 Vp-p/75 Ω, Y: 1.0 Vp-p, H/V: 4.5 V/2 kΩ																																				
DVI OUTPUT	1-line, DVI-D 24 pin, *HDCP-compatible																																				
SCREEN	1-line, ø 3.5 mm, monaural mini-jack (DC +12 V/100 mA)																																				
■ Power Requirements	AC 100 V - 240 V, 50 Hz/60 Hz, Power consumption 1.0 A																																				
■ Operation Environment	Temperature : 41 °F to 95 °F (+5 °C to +35 °C) Humidity : 20 % to 80 % (No condensation) Storage Temperature : 14 °F to 140 °F (-10 °C to +60 °C)																																				
■ Dimensions (Width x Height x Depth)	Approx. 1 3/4" × approx. 17 " × approx. 11 4/5" (Approx. 45 mm × Approx. 438 mm × Approx. 303 mm) (Excluding carrying handle, lens and protrusion portion)																																				
■ Mass	Approx. 13.9 lbs (Approx. 6.3 Kg)																																				
■ Accessories	(Refer to Page 9.)																																				

* The image of DVI-D input terminal may not be displayed due to HDCP specification change.

- Design and specifications are subject to change without prior notice.
- Please note that some of the pictures and illustrations may have been abridged, enlarged or contextualized in order to aid comprehension. Images may differ from the actual product.

PROCESSEUR VIDÉO NUMÉRIQUE

LD-HD2KBU
LD-HD2KBE

MANUEL D'INSTRUCTIONS

IMPORTANTES MESURES DE SÉCURITÉ

INFORMATIONS IMPORTANTES

AVERTISSEMENT: POUR ÉVITER TOUT RISQUE D'INCENDIE OU D'ÉLECTROCUTION, N'EXPOSEZ PAS CET APPAREIL À LA PLUIE OU À L'HUMIDITÉ.

MISE EN GARDE:

Pour réduire les risques d'électrocution, ne retirez pas le couvercle de l'appareil.

Référez-vous à un technicien qualifié.

Cet appareil est équipé d'une prise de type mise à la terre à 3 fiches pour satisfaire aux normes UL, CUL, TUV et FCC.

Si vous ne pouvez pas insérer la fiche dans la prise secteur, contactez votre électricien.

INFORMATION FCC (Etats-Unis uniquement)

MISE EN GARDE:

Des changements ou modifications non approuvés par JVC peuvent empêcher l'utilisation de l'appareil.

Remarque: Cet appareil a été testé et est en accord avec la limitation pour les appareils numériques de Classe B, suivant le règlement FCC, Partie 15. Ces limites sont destinées à donner une protection raisonnable contre les interférences dangereuses à l'intérieur d'une installation résidentielle. Cet appareil génère, utilise et peut envoyer des fréquences radio qui, si l'installation n'a pas été correctement réalisée, peuvent être la cause d'interférences dangereuses aux communications radio.

Toutefois, il n'y a pas de garantie que des interférences ne se produiront pas dans une installation particulière. Si cet appareil est la cause d'interférences dangereuses pour la réception radio ou télévision, interférences pouvant être déterminées en éteignant et allumant l'appareil, l'utilisateur est encouragé à essayer de corriger les interférences avec une ou plus des mesures suivantes:

- Réorienter ou repositionner ailleurs l'antenne de réception.
- Accroître la séparation entre l'appareil.
- Raccorder l'appareil sur une prise ou un circuit différent de celui sur lequel le récepteur est raccordé.
- Consulter le revendeur ou un technicien radio/TV expérimenté pour obtenir de l'aide.

À propos du choix de l'emplacement

Ne pas installer le processeur dans un endroit qui ne peut supporter son poids de façon sécuritaire ou qui ne permet pas une ventilation adéquate de la chaleur.

IMPORTANTES MESURES DE SÉCURITÉ

UNE UTILISATION INAPPROPRIÉE DE CET ÉQUIPEMENT PEUT PROVOQUER UN CHOC ÉLECTRIQUE OU CAUSER UN INCENDIE.

Afin de ne pas annuler les dispositifs de sécurité incorporés dans cet appareil, observez les règles fondamentales suivantes pour son installation, son utilisation et sa réparation.

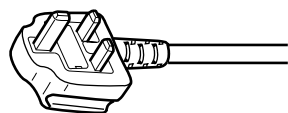
- Toutes les instructions de sécurité et de fonctionnement doivent être lues avant l'utilisation de l'appareil.
- Les instructions de sécurité et de fonctionnement doivent être suivies et conservées à des fins de consultation future.
- Tous les avertissements sur l'appareil et dans le mode d'emploi doivent être compris et acceptés.
- Débranchez cet appareil de la prise murale avant de le nettoyer. Ne pas utiliser de nettoyant ou en aérosol. Utilisez un chiffon humide pour le nettoyage.
- N'utilisez pas d'accessoires non recommandés par le fabricant de l'appareil car ils pourraient être dangereux.
- N'utilisez pas ce produit près de l'eau. Ne pas l'utiliser non plus après l'avoir déplacé d'une basse température à une température élevée. Cela produit une condensation d'humidité qui peut entraîner un incendie, une électrocution ou d'autres dangers.
- Ne placez pas cet appareil sur un chariot, une table ou tout autre support instable. L'appareil pourrait tomber, et ainsi blesser gravement un enfant ou un adulte, ainsi qu'être lui-même sérieusement endommagé. L'appareil doit être monté conformément aux instructions du fabricant et doit utiliser un support recommandé par le fabricant.
- Quand vous utilisez l'appareil sur un chariot, faites attention aux arrêts brusques, aux forces excessives et aux surfaces accidentées qui pourraient causer un renversement de l'appareil, risquant de l'endommager ou de blesser l'opérateur.
- Les fentes et les ouvertures du coffret sont nécessaires pour la ventilation. Elles assurent un fonctionnement sûr de l'appareil et le protège d'une surchauffe. Ces ouvertures ne doivent pas être bloquées ou recouvertes. (Les ouvertures ne doivent jamais être bloquées en plaçant l'appareil sur un lit, un divan, un tapis ou une surface similaire. Il ne doit pas être encastré dans un emplacement comme une bibliothèque ou un bâti sauf si une ventilation correcte existe et si les instructions du fabricant ont été respectées.)
- Cet appareil doit être alimenté uniquement avec le type d'alimentation indiquée sur l'étiquette. Si vous n'êtes pas sûr du type d'alimentation secteur de votre maison, consultez le revendeur de l'appareil ou votre compagnie d'électricité.
- Cet appareil est équipé d'une fiche à trois broches. Elle ne peut être branchée que dans une prise secteur avec mise à la terre. Si vous ne pouvez pas insérer la fiche dans la prise, contactez votre électricien afin qu'il installe une prise correcte. N'essayez pas de défaire le principe de sécurité de la fiche avec mise à la terre.
- Les cordons d'alimentation doivent être positionnés de façon à ce qu'ils ne soient pas écrasés ou coincés par des objets placés sous ou contre eux. Faites particulièrement attention aux cordons au niveau des portes, des fiches et prises ainsi qu'au niveau de la sortie de l'appareil.
- Pour une meilleure protection pendant un orage ou quand il est laissé sans surveillance ou n'est pas utilisé pendant une longue période de temps, débranchez-le de la prise secteur murale et déconnectez le système de câbles. Cela évitera qu'il soit endommagé du fait d'un éclair ou d'une surtension.

- Ne surchargez pas les prises murales, les cordons prolongateurs ou les prises de courant sur les autres appareils car cela pourrait entraîner un risque d'incendie ou d'électrocution.
- Ne jamais insérer d'objet d'aucune sorte à l'intérieur de cet appareil à travers les ouvertures car ils pourraient toucher des points de tension dangereuse ou créer un court-circuit qui pourrait entraîner un incendie ou une électrocution. Ne jamais verser de liquide d'aucune sorte sur l'appareil.
- N'essayez pas de réparer cet appareil vous-même car l'ouvrir ou retirez les couvercles peut vous exposer à des tensions dangereuses ou à d'autres dangers. Référez-vous à un personnel qualifié pour toute réparation.
- Débranchez l'appareil de la prise secteur murale et contactez un réparateur qualifié dans les conditions suivantes:
 - a) Quand le cordon ou la fiche d'alimentation secteur est endommagé.
 - b) Si un liquide a coulé ou si un objet est tombé à l'intérieur de l'appareil.
 - c) Si l'appareil a été exposé à la pluie ou à l'eau.
 - d) Si l'appareil ne fonctionne pas normalement en suivant les instructions de fonctionnement. Ajustez uniquement les commandes couvertes par le mode d'emploi, car un ajustement incorrect des commandes peut endommager l'appareil et demandera souvent beaucoup de temps à un technicien qualifié pour ramener l'appareil en état de fonctionnement normal.
 - e) Si le produit est tombé ou a été endommagé de n'importe quelle autre façon.
 - f) Quand l'appareil montre un changement évident dans ses performances, cela indique qu'il doit être réparé.
- Quand le remplacement des pièces est nécessaire, assurez-vous que le réparateur a utilisé les pièces de rechange spécifiées par le fabricant ou possédant les mêmes caractéristiques que la pièce originale. Un remplacement non autorisé peut entraîner un incendie, une électrocution ou autres dangers.
- Après que cet appareil a subi une réparation ou un entretien, demandez au réparateur de réaliser les vérifications de sécurité pour déterminer si l'appareil est en état de fonctionnement correct.
- L'appareil doit être placé à plus de trente centimètres de sources de chaleur, comme un radiateur, un accumulateur de chaleur, un fourneau ou tout autre appareil (amplificateurs inclus) produisant de la chaleur.
- Lors d'un raccordement avec un magnétoscope ou un ordinateur personnel, vous devez mettre cet appareil hors tension pour éviter tout choc électrique.
- Utilisez uniquement le cordon fourni conçu pour cet appareil afin d'éviter tout choc électrique.

La tension d'alimentation secteur de cet appareil est de 120 V CA, 100 V - 240 V CA. Le cordon d'alimentation fourni est conforme à ces tensions. N'utilisez que le cordon d'alimentation désigné par nos revendeurs pour la sécurité et la compatibilité électromagnétique (EMC). Si l'appareil est utilisé avec une tension d'alimentation secteur différente, le cordon d'alimentation doit être changé.

Assurez-vous que le cordon d'alimentation utilisé pour le projecteur correspond bien au type de prise de votre pays. Consultez votre revendeur.

Cordon d'alimentation

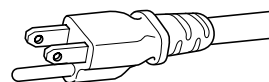


Pour le Royaume-Uni



Pour les pays d'Europe continentale

Cordon d'alimentation



Tension d'alimentation secteur: 120 V CA

***NE LAISSEZ PAS une personne non qualifiée installer l'appareil.**

Assurez-vous de demander à votre concessionnaire d'installer l'appareil puisque des connaissances et des compétences techniques spécifiques sont requises pour l'installation et le branchement à de multiples dispositifs.

Si l'installation est réalisée par une personne non qualifiée, cela pourrait entraîner des blessures personnelles ou une électrocution.

Précautions quant à l'utilisation du terminal d'écran

Brancher le câble à l'écran avant d'utiliser le terminal d'écran de cet appareil.

Un signal avec c.c. +12 V/100 mA maximum est la sortie du terminal d'écran à cet appareil.

Un court-circuit provoquera un mauvais fonctionnement, un incendie et un choc électrique.

Laisser un fournisseur d'installation effectuer le branchement des fils.

ENGLISH

Information for Users on Disposal of Old Equipment

Attention:
This symbol is only valid in the European Union.



[European Union]

This symbol indicates that the electrical and electronic equipment should not be disposed as general household waste at its end-of-life. Instead, the product should be handed over to the applicable collection point for the recycling of electrical and electronic equipment for proper treatment, recovery and recycling in accordance with your national legislation.

By disposing of this product correctly, you will help to conserve natural resources and will help prevent potential negative effects on the environment and human health which could otherwise be caused by inappropriate waste handling of this product. For more information about collection point and recycling of this product, please contact your local municipal office, your household waste disposal service or the shop where you purchased the product. Penalties may be applicable for incorrect disposal of this waste, in accordance with national legislation.

(Business users)

If you wish to dispose of this product, please visit our web page www.jvc-europe.com to obtain information about the take-back of the product.

[Other Countries outside the European Union]

If you wish to dispose of this product, please do so in accordance with applicable national legislation or other rules in your country for the treatment of old electrical and electronic equipment.

FRANÇAIS

Informations relatives à l'élimination des appareils usagés, à l'intention des utilisateurs

Attention:
Ce symbole n'est reconnu que dans l'Union européenne.



[Union européenne]

Lorsque ce symbole figure sur un appareil électrique et électronique, cela signifie qu'il ne doit pas être éliminé en tant que déchet ménager à la fin de son cycle de vie. Le produit doit être porté au point de pré-collecte approprié au recyclage des appareils électriques et électroniques pour y subir un traitement, une récupération et un recyclage, conformément à la législation nationale.

En éliminant correctement ce produit, vous contribuez à la conservation des ressources naturelles et à la prévention des éventuels effets négatifs sur l'environnement et la santé humaine, pouvant être dus à la manipulation inappropriée des déchets de ce produit. Pour plus d'informations sur le point de pré-collecte et le recyclage de ce produit, contactez votre mairie, le service d'évacuation des ordures ménagères ou le magasin dans lequel vous avez acheté le produit.

Des amendes peuvent être infligées en cas d'élimination incorrecte de ce produit, conformément à la législation nationale.

(Utilisateurs professionnels)

Si vous souhaitez éliminer ce produit, visitez notre page Web www.jvc-europe.com afin d'obtenir des informations sur sa récupération.

[Pays ne faisant pas partie de l'Union européenne]

Si vous souhaitez éliminer ce produit, faites-le conformément à la législation nationale ou autres règles en vigueur dans votre pays pour le traitement des appareils électriques et électroniques usagés.

DEUTSCH

Benutzerinformationen zur Entsorgung alter Geräte

Hinweis:
Dieses Symbol ist nur in der Europäischen Union gültig.



[Europäische Union]

Dieses Symbol zeigt an, dass das elektrische bzw. elektronische Gerät nicht als normaler Haushaltsabfall entsorgt werden soll. Stattdessen sollte das Produkt zur fachgerechten Entsorgung, Weiterverwendung und Wiederverwertung in Übereinstimmung mit der Landesgesetzgebung einer entsprechenden Sammelstelle für das Recycling elektrischer und elektronischer Geräte zugeführt werden. Die korrekte Entsorgung dieses Produkts dient dem Umweltschutz und verhindert mögliche Schäden für die Umwelt und die menschliche Gesundheit, welche durch unsachgemäße Behandlung des Produkts auftreten können. Weitere Informationen zu Sammelstellen und dem Recycling dieses Produkts erhalten Sie bei Ihrer Gemeindeverwaltung, Ihrem örtlichen Entsorgungsunternehmen oder in dem Geschäft, in dem Sie das Produkt gekauft haben. Für die nicht fachgerechte Entsorgung dieses Abfalls können gemäß der Landesgesetzgebung Strafen ausgesprochen werden.

(Geschäftskunden)

Wenn Sie dieses Produkt entsorgen möchten, besuchen Sie bitte unsere Webseite www.jvc-europe.com, um Informationen zur Rücknahme des Produkts zu erhalten.

[Andere Länder außerhalb der Europäischen Union]

Wenn Sie dieses Produkt entsorgen möchten, halten Sie sich dabei bitte an die entsprechenden Landesgesetze und andere Regelungen in Ihrem Land zur Behandlung elektrischer und elektronischer Geräte.

NEDERLANDS

Informatie voor gebruikers over het weggooien van oude apparatuur

Let op:
Dit symbool is alleen geldig in de Europese Unie.



[Europese Unie]

Deze markering geeft aan dat de elektrische en elektronische apparatuur bij het einde van de gebruiksduur niet bij het huishoudelijk afval mag worden gegooid. Het product moet in plaats daarvan worden ingeleverd bij het relevante inzamelingspunt voor hergebruik van elektrische en elektronische apparatuur, voor juiste verwerking, terugwinning en hergebruik in overeenstemming met uw nationale wetgeving.

Door dit product naar het inzamelingspunt te brengen, werkt u mee aan het behoud van natuurlijke hulpbronnen en met het voorkomen van potentiële negatieve effecten op het milieu en de volksgezondheid, die anders veroorzaakt zouden kunnen worden door onjuiste afvalverwerking van dit product. Neem voor meer informatie over inzamelingspunten en hergebruik van dit product contact op met de gemeente in uw woonplaats, het afvalverwerkingsbedrijf of de winkel waar u het product hebt aange-schaft.

Er kunnen boetes gelden voor een onjuiste verwijdering van dit afval, in overeenstemming met de nationale wetgeving.

(Zakelijke gebruikers)

Bezoek als u dit product wilt weggooien onze website www.jvc-europe.com voor informatie over het terugnemen van het product.

[Landen buiten de Europese Unie]

Wanneer u dit product wilt verwijderen, houdt u dan aan de geldende nationale wetgeving of andere regels in uw land voor de verwerking van oude elektrische en elektronische apparatuur.

Información para los usuarios sobre la eliminación de equipos usados

Atención:

Este símbolo sólo es válido en la Unión Europea.



[Unión Europea]

Este símbolo indica que los aparatos eléctricos y electrónicos no deben desecharse junto con la basura doméstica al final de su vida útil. El producto deberá llevarse al punto de recogida correspondiente para el reciclaje y el tratamiento adecuado de equipos eléctricos y electrónicos de conformidad con la legislación nacional. Si desecha el producto correctamente, estará contribuyendo a conservar los recursos naturales y a prevenir los posibles efectos negativos en el medio ambiente y en la salud de las personas que podría causar el tratamiento inadecuado del producto desechado. Para obtener más información sobre el punto de recogida y el reciclaje de este producto, póngase en contacto con su oficina municipal, su servicio de recogida de basura doméstica o la tienda en la que haya adquirido el producto. De acuerdo con la legislación nacional, podrían aplicarse multas por la eliminación incorrecta de estos desechos.

(Empresas)

Si desea desechar este producto, visite nuestra página Web www.jvc-europe.com para obtener información acerca de la retirada del producto.

[Otros países no pertenecientes a la Unión Europea]

Si desea desechar este producto, hágalo de conformidad con la legislación nacional vigente u otras normativas de su país para el tratamiento de equipos eléctricos y electrónicos usados.

Informações para os Utilizadores sobre a Eliminação de Equipamento Antigo

Atenção:

Este símbolo apenas é válido na União Europeia.



[União Europeia]

Este símbolo indica que o equipamento eléctrico e electrónico não deve ser eliminado como um resíduo doméstico geral, no fim da respectiva vida útil. Pelo contrário, o produto deve ser entregue num ponto de recolha apropriado, para efectuar a reciclagem de equipamento eléctrico e electrónico e aplicar o tratamento, recuperação e reciclagem adequados, de acordo com a respectiva legislação nacional.

Ao eliminar este produto da forma correcta, ajudará a conservar recursos naturais e ajudará a evitar potenciais efeitos negativos no ambiente e saúde humana, que poderiam ser causados pelo tratamento residual inadequado deste produto. Para mais informações sobre o ponto de recolha e reciclagem deste produto, contacte a respectiva entidade local, o serviço de eliminação de resíduos ou a loja onde adquiriu o produto.

Caso estes resíduos não sejam correctamente eliminados, poderão ser aplicadas penalizações, em conformidade com a respectiva legislação nacional.

(utilizadores profissionais)

Se pretender eliminar este produto, visite a nossa página da web em www.jvc-europe.com para obter informações sobre a devolução do produto.

[Outros países fora da União Europeia]

Se pretender eliminar este produto, faça-o de acordo com a legislação nacional aplicável ou outras regras no seu país para o tratamento de equipamento eléctrico e electrónico velho.

Informazioni per gli utenti sullo smaltimento delle apparecchiature obsolete

Attenzione:

Questo simbolo è valido solo nell'Unione Europea.



[Unione Europea]

Questo simbolo indica che l'apparecchiatura elettrica ed elettronica a cui è relativo non deve essere smaltita tra i rifiuti domestici generici alla fine della sua vita utile. Il prodotto, invece, va consegnato a un punto di raccolta appropriato per il riciclaggio di apparecchiature elettriche ed elettroniche, per il trattamento, il recupero e il riciclaggio corretti, in conformità alle proprie normative nazionali.

Mediante lo smaltimento corretto di questo prodotto, si contribuirà a preservare le risorse naturali e a prevenire potenziali effetti negativi sull'ambiente e sulla salute umana che potrebbero essere provocati, altrimenti, da uno smaltimento inappropriato del prodotto. Per ulteriori informazioni sul punto di raccolta e il riciclaggio di questo prodotto, contattare la sede comunale locale, il servizio di smaltimento rifiuti domestici o il negozio in cui si è acquistato il prodotto.

L'utente è responsabile del conferimento dell'apparecchio a fine vita alle appropriate strutture di raccolta, pena le sanzioni previste dalla vigente legislazione sui rifiuti.

(Per gli utenti aziendali)

Qualora si desideri smaltire questo prodotto, visitare la nostra pagina web www.jvc-europe.com per ottenere informazioni sul ritiro del prodotto.

[Per altre nazioni al di fuori dell'Unione Europea]

Qualora si desideri smaltire questo prodotto, effettuare lo smaltimento in conformità alla normativa nazionale applicabile o alle altre leggi della propria nazione relative al trattamento delle apparecchiature elettriche ed elettroniche obsolete.

Πληροφορίες σχετικά με την απόρριψη εξοπλισμού

Προσοχή:

Αυτή η σήμανση ισχύει μόνο για την Ευρωπαϊκή Ένωση.



[Ευρωπαϊκή Ένωση]

Αυτή η σήμανση υποδηλώνει ότι ο ηλεκτρικός και ηλεκτρονικός εξοπλισμός δεν πρέπει να απορριφθεί ως κοινό οικιακό απόρριμμα. Αντ' αυτού, το προϊόν πρέπει να παραδοθεί στο ανάλογο σημείο περισυλλογής για την ανακύκλωση των ηλεκτρικών και ηλεκτρονικών μερών και την κατάλληλη επεξεργασία, σύμφωνα με τη νομοθεσία της χώρας σας.

Η σωστή απόρριψη αυτού του προϊόντος βοηθάει στη διαφύλαξη των φυσικών πόρων και στην αποφυγή αρνητικών επιπτώσεων στο περιβάλλον και στην ανθρώπινη υγεία, κάτι που ενδέχεται να προκληθεί από την ακατάλληλη διαχείριση αυτού του προϊόντος ως απορριμμάτων. Για περισσότερες πληροφορίες σχετικά με τα σημεία περισυλλογής και ανακύκλωσης αυτού του προϊόντος, επικοινωνήστε με τα γραφεία της τοπικής αυτοδιοίκησης, την υπηρεσία περισυλλογής απορριμμάτων ή το κατάστημα από το οποίο αγοράσατε το προϊόν.

Ανάλογα με τη νομοθεσία της χώρας σας, ενδέχεται να επιβληθούν κυρώσεις σε περίπτωση λανθασμένης απόρριψης αυτού του προϊόντος.

(Επιχειρήσεις)

Αν επιθυμείτε να απορρίψετε αυτό το προϊόν, επισκεφτείτε το διαδικτυακό μας τόπο www.jvc-europe.com για περισσότερες πληροφορίες σχετικά με την επιστροφή του προϊόντος.

[Άλλες χώρες εκτός Ευρωπαϊκής Ένωσης]

Αν επιθυμείτε να απορρίψετε αυτό το προϊόν, πρέπει να τηρήσετε την ισχύουσα εθνική νομοθεσία ή όποιους άλλους κανονισμούς για τη χώρα σας για την απόρριψη ηλεκτρικού και ηλεκτρονικού εξοπλισμού.

DANSK

Brugerinformation om bortskaffelse af gammelt udstyr

Bemærk:
Dette symbol er kun gyldigt i EU.



[EU]

Elektriske produkter og elektroniske apparater med dette symbol må ikke afhændes på samme måde som almindeligt husholdningsaffald, når det skal smides ud. I stedet skal produktet indleveres på det relevante indsamlingssted for elektriske apparater og elektronisk udstyr, hvor det vil blive håndteret korrekt og efterfølgende genanvendt og recirkuleret i henhold til de love, der gælder i dit land.

Ved at bortskaffe dette produkt korrekt, medvirker du til at bevare naturens ressourcer samt forhindre eventuelle negative påvirkninger af miljøet og folkesundheden, der ellers kunne forårsages ved forkert affaldshåndtering af dette produkt. Mere information om indsamlingssteder og genanvendelse af dette produkt kan du få ved at kontakte din lokale kommune, dit renovations-selskab eller den forretning, hvor du har købt produktet.

Ukorrekt bortskaffelse af dette affald kan være strafbar ifølge lovgivningen i nogle lande.

(Professionelle brugere)

Hvis du ønsker at bortskaffe dette produkt, kan du på vores web-side www.jvc-europe.com få information om tilbagetagning af produktet.

[Lande uden for EU]

Hvis du ønsker at bortskaffe dette produkt, bedes du gøre det i overensstemmelse med gældende lovgivning eller andre regler i dit land for behandling af gammelt elektrisk eller elektronisk udstyr.

SVENSKA

Information till användare gällande kassering av gammal utrustning

Tänk på:
Att denna symbol endast gäller inom den Europeiska gemenskapen.



[Europeiska gemenskapen]

Denna symbol anger att elektrisk och elektronisk utrustning inte ska kasseras som vanligt hushållsavfall, när de inte ska användas mer. Istället ska produkten lämnas in på lämplig återvinningsstation för elektrisk eller elektronisk utrustning, så att den kan tas om hand och återvinnas i enlighet med ert lands lagstiftning.

Genom att avyttra denna produkt på rätt sätt, bidrar du till att bevara naturen och förhindrar potentiellt negativa effekter på miljön och den mänskliga hälsan, som annars kan bli resultatet vid felaktig hantering av denna produkt. Kontakta ditt kommunkontor, det företag som hanterar dina hushållssopor eller butiken där du köpt produkten, för mer information om återvinningscentraler. Det kan hända att du bötfälls i enlighet med ert lands lagstiftning om detta avfall kasseras på fel sätt.

(Företagsanvändare)

Om ni vill kassera denna produkt, besök vår webbsida www.jvc-europe.com för att få information om returnering av produkten.

[Övriga länder utanför den Europeiska gemenskapen]

Om du vill kassera denna produkt, ska detta göras i enlighet med gällande lagstiftning i landet, eller enligt andra bestämmelser i ditt land, för behandling av gammal elektrisk eller elektronisk utrustning.

SUOMI

Tietoja käyttäjille vanhojen laitteiden hävittämisestä

Huomio:
Tämä symboli on voimassa vain Euroopan unionissa.



[Euroopan unioni]

Tämä symboli tarkoittaa, että sähkö- ja elektroniikkalaitteita ei tule laittaa talousjätteisiin, kun ne poistetaan käytöstä. Sen sijaan tuotteet tulee toimittaa asianmukaiseen sähkö- ja elektroniikkalaitteiden kierrätyspisteeseen, jossa ne käsitellään uusiokäyttöä ja kierrätystä varten paikallisen lainsäädännön mukaan.

Kun hävität tuotteen asianmukaisella tavalla, autat säästämään luonnonvaroja ja estämään mahdollisia ympäristö- ja terveyshaittoja, joita voisi aiheutua tämän tuotteen vääränlaisesta hävittämisestä. Lisätietoja keräyspisteistä ja tämän tuotteen kierrätyksestä saat paikakkuntasi viranomaisilta, kotitalousjätteiden keräyksestä huolehtivasta yrityksestä tai liikkeestä, josta ostit tuotteen.

Tuotteen vääränlaisesta hävittämisestä voi seurata paikallisen lainsäädännön mukaisia rangaistuksia.

(Yrityskäyttäjät)

Jos haluat hävittää tämän tuotteen, web-sivustoltamme osoitteessa www.jvc-europe.com löydät tietoja käytetyn tuotteen palautuksesta.

[Muut maat Euroopan unionin ulkopuolella]

Jos haluat hävittää tämän tuotteen, tee se kansallisen lainsäädännön tai muiden maassasi voimassa olevien määräysten mukaan, jotka koskevat vanhojen sähkö- ja elektroniikkalaitteiden käsittelyä.

NORSK

Informasjon til brukerne om kassering av gammelt utstyr

OBS!
Dette symbolet er kun gyldig i den Europeiske Union og i EFTA-landene Norge, Island og



[Europeiske Union]

Dette symbolet betyr at det elektriske eller elektroniske utstyret ikke skal kasseres som vanlig husholdningsavfall når det har nådd slutten av sin levetid. I stedet skal produktet leveres til en passende mottaksstasjon for kasserte elektriske og elektroniske produkter, slik at disse kan behandles, gjenvinnes og resirkuleres i samsvar med nasjonal lovgivning.

Hvis du kasserer dette produktet på riktig måte, bidrar du til å bevare naturlige ressurser og til å motvirke de negative virkningene på miljøet og den menneskelige helse som kan oppstå hvis produktet kasseres på feil måte. Hvis du vil ha mer informasjon om mottaksstasjoner og gjenvinning av dette produktet, kan du ta kontakt med kommunen din, renovasjonsselskapet ditt eller den forhandleren du kjøpte produktet av.

Feilaktig kassering av dette utstyret kan kanskje bøtelegges, avhengig av nasjonale lover og regler.

(Bedriftsbrukere)

Hvis du ønsker å kassere dette produktet, kan du gå til hjemmesiden vår på www.jvc-europe.com eller www.elretur.no for å få informasjon om retur av dette produktet.

[Andre land utenfor EU]

Hvis du ønsker å kassere dette produktet, må du gjøre det i samsvar med gjeldende nasjonal lovgivning eller andre regler som gjelder i landet ditt når det gjelder behandling av gammelt elektrisk og elektronisk utstyr.

Информация для пользователей, выбрасывающих старое оборудование

Внимание:

Действие этого
символа
распространяется
только на Европейский



[Европейский Союз]

Это символ указывает, что после окончания срока службы соответствующего электрического или электронного оборудования, нельзя выбрасывать его вместе с обычным бытовым мусором. Вместо этого, оно подлежит сдаче на утилизацию в соответствующий пункт приема электрического и электронного оборудования для последующей переработки и утилизации в соответствии с национальным законодательством.

Обеспечивая правильную утилизацию данного продукта, Вы помогаете сберечь природные ресурсы и предотвращаете ущерб для окружающей среды и здоровья людей, который возможен в случае ненадлежащего обращения. Более подробную информацию о пунктах приема и утилизации данного продукта можно получить в местных муниципальных органах, на предприятии по вывозу бытового мусора или по месту приобретения продукта. Нарушение правил утилизации данного типа отходов в соответствии с национальным законодательством является административным правонарушением.

(Организации-пользователи)

Прежде чем выбрасывать данный продукт, ознакомьтесь с информацией о приемке отработавших продуктов, приведенной на веб-узле www.jvc-europe.com.

[Страны, не входящие в Европейский Союз]

Если Вы собираетесь выбросить данный продукт, руководствуйтесь национальным законодательством или другими правилами, действующими в Вашей стране по отношению к переработке старого электрического и электронного оборудования.

TABLE DES MATIERES

IMPORTANTES MESURES DE SÉCURITÉ	2
Accessoires, commandes et fonctions	9
Accessoires	9
AVANT	9
ARRIÈRE	10
Télécommande	12
Mise en place des piles dans la télécommande	14
Installation et connexion	15
Précaution pour l'installation	15
Raccordement aux divers appareils	16
Connexion du cordon d'alimentation (fourni)	17
Opérations de base	18
Réglage et configuration dans les menus	20
Réglages disponibles dans le menu Programmation	20
Réglages disponibles dans le menu OSD	20
Utilisation du menu Programmation	21
Configuration du menu Programmation	22
Utilisation du menu OSD	25
Configuration du menu OSD	26
Messages d'avertissement	29
RS-232C Description du contrôle externe	30
Format de commande	30
À propos des ordinateurs	30
Port RS-232C	30
RS-232C Commandes de contrôle	31
Caracteristiques techniques	33

Accessoires

Cet appareil est livré avec les accessoires présentés ci-dessous. Vérifiez que vous avez tous les éléments. S'il manque certains de ces éléments, veuillez contacter votre revendeur.

Manuel d'instructions

Garantie

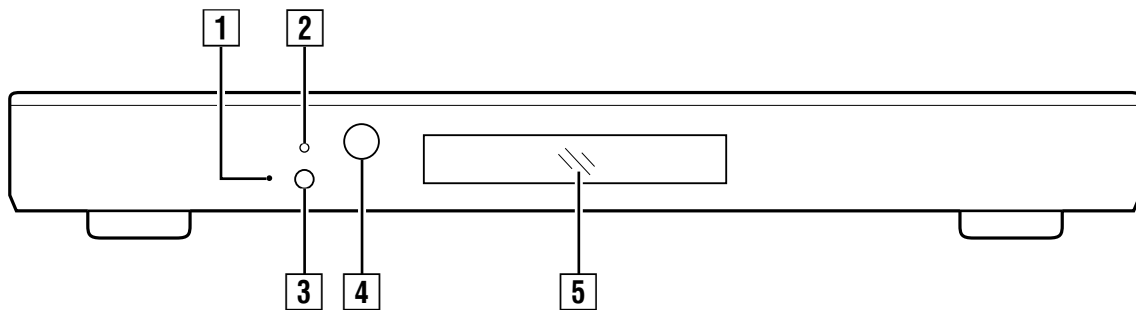
Cordon d'alimentation

Câble DVI

Télécommande

Piles AAA (pour vérifier le fonctionnement)

AVANT



1 Commutateur de réinitialisation

Si l'appareil ne fonctionne pas correctement, appuyez sur le commutateur de réinitialisation (à l'intérieur de l'orifice) avec une tige à bout rond, mince et rigide.

- La réinitialisation n'affecte pas les profils et les réglages de programmation enregistrés dans l'appareil.
- On peut aussi réinitialiser l'appareil en débranchant le cordon d'alimentation de l'appareil de la prise électrique.

2 Témoin

Allumé en vert : L'appareil est allumé (☞ page 18)

Allumé en rouge : mode d'attente (☞ page 19)

3 Alimentation/attente

Appuyez sur cette touche pour allumer l'appareil lorsqu'il est en mode d'attente. Appuyez à nouveau pour revenir au mode d'attente. (☞ page 18)

4 Récepteur

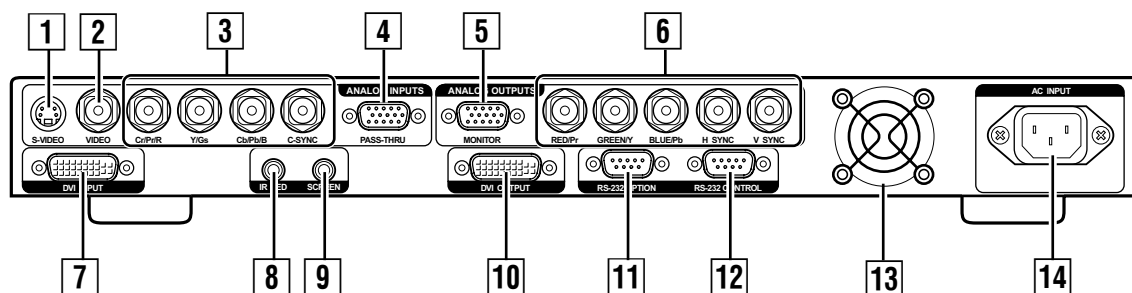
Pour utiliser l'appareil avec la télécommande, dirigez-la vers ce récepteur.

5 ACL

Affiche de l'information sur les réglages et des avertissements sur la température interne du processeur. (☞ pages 21, 29)

- Le menu Programmation et les messages d'avertissement n'apparaissent pas à l'écran. Ils s'affichent sur l'ACL.
- Allez à la page 29 pour voir les avertissements sur la température interne.

ARRIÈRE



- 1 Port d'entrée [S-VIDEO] (mini DIN à quatre broches)**
 Entrée des signaux de sortie S-vidéo (Y/C) provenant d'appareils tels qu'un magnétoscope.
- 2 Port d'entrée [VIDEO] (BNC)**
 Entrée des signaux de sortie vidéo composites provenant d'appareils tels qu'un magnétoscope.
- 3 Port d'entrée [Cr/Pr/R, Y/Gs, Cb/Pb/B, C-SYNC] (composant/RGB, port d'entrée BNC)**
 Pour l'entrée des signaux 480i/480p, 576i/576p ou 720p/1080i, 50 Hz/60 Hz.

 - Pour l'entrée des signaux indiqués ci-dessus après la conversion à la fréquence de balayage spécifiée dans le menu Programmation.
- 4 Port d'entrée [PASS-THRU] (port d'entrée porteur, D-sub, 15 broches)**
 Les hautes fréquences de balayage pour des sources telles que des signaux vidéo provenant d'un HDTV ou des ordinateurs passent à travers le port de sortie analogique. Ce processeur est incapable de projeter l'entrée de signal à partir de ce port à l'aide du port de sortie analogique.

 - Les signaux d'entrée envoyés à ce port ne sont pas convertis ou transcodés (de YPrPb à RGBHV).
 - La sortie vers le port [MONITOR] est possible.
 - Habituellement, ce port n'est pas utilisé.
- 5 Port de sortie [MONITOR] (port de sortie du moniteur, D-sub, 15 broches)**
 Compatible avec les moniteurs d'ordinateur ou un second appareil d'affichage.

 - Habituellement, on ne se sert pas de ce port.
 - Réglez la commande "SET: ACTIVE OUTPUT" du menu Programmation à "ANALOG RGB+DVI" ou "ANALOG RGB". (☞ page 22)
 - Lorsque l'entrée de signal HDCP est transmise au port d'entrée DVI, les signaux vidéo ne proviennent pas du port analogique. Le cas échéant, le message "ENCRYPTED SOURCE ANALOG OUT DISABLE" s'affiche sur l'ACL.
 - Ce port ne peut pas être utilisé en même temps que le port de sortie DVI.
 - Utilisez un câble D-sub de moins de 3 m de long pour éviter l'atténuation des signaux et les sonneries. Vous devez aussi utiliser un câble de conversion D15-BNC de 75Ω.
- 6 Port de sortie [RED/Pr, GREEN/Y, BLUE/Pb, H/V SYNC] (BNC)**
 Pour la connexion avec un appareil d'affichage doté d'un port d'entrée pour les signaux RGBHV ou YPrPb.

 - Habituellement, on ne se sert pas de ce port.
 - Pour traiter les signaux provenant d'un ordinateur, vous devez brancher des câbles de synchronisation H et V séparés au moniteur.
 - Réglez la commande "SET: ACTIVE OUTPUT" du menu Programmation à une autre valeur que "DVI". (☞ page 22)

7 Port [DVI INPUT]

Les signaux d'entrée compatibles sont 480i/480p, 576i/576p ou 720p/1080i, 50 Hz/60 Hz. Pour la transmission de signaux à des fréquences de balayage aussi élevées que les signaux sortants parvenant à un ordinateur. Cet appareil surveille l'état d'entrée et de sortie DVI en tout temps et affiche l'information correspondantes sur l'ACL.

“DVI”

Pour des signaux d'entrée compatibles

“NO INPUT”

En l'absence de signaux d'entrée

“VERIFYING OUT-LINK”

Lors de la coupure de la connexion DVI au projecteur

“DVI PASS-THROUGH”

Lors de la détection de signaux dont les fréquences de balayage sont aussi élevées que les signaux de sortie des ordinateurs, et leur sortie sans conversion

“RATE NOT SUPPORTED”

Lorsque des signaux non supportés par cet appareil sont détectés et que la sortie analogique RGB ou YPrPb est sélectionnée

- L'affichage des données d'entrée d'un signal HDCP peut nécessiter quelques minutes.
- Dans le menu Programmation, assurez-vous de régler correctement le niveau d'entrée DVI et le type de signal de synchronisation. (☞ page 23)

8 Port [IR LED]

Incompatible avec ce processeur.

9 Port [SCREEN]

Pour le contrôle du SCREEN TRIGGER-écran élévateur compatible. Réglez la commande “SET: SCREEN TRIGGER” du menu Programmation à “ON” ou procédez à ce réglage au moyen de la commande RS-232C. Sortie DC +12 V/100 mA lorsque que cet appareil est allumé.

- Veuillez vous reporter à “Précautions quant à l'utilisation du terminal d'écran” à la page 3 avant l'utilisation.

10 Port [DVI OUTPUT]

Il s'agit du port de sortie DVI.

Utilisez le câble DVI fourni avec l'appareil pour la connexion au projecteur.

- La projection des images provenant d'une sortie HDCP au moyen de cet appareil peut nécessiter quelques minutes.
- Réglez la commande “SET: ACTIVE OUTPUT” du menu Programmation à “ANALOG RGB+DVI” ou “DVI”. (☞ page 22)

11 Port [RS-232 OPTION] (D-sub 9 broches)

Incompatible avec ce processeur.

12 Port [RS-232 CONTROL] (D-sub 9 broches)

Compatible avec les spécifications de l'interface RS-232C. Vous pouvez contrôler cet appareil à partir d'un ordinateur externe. Adressez-vous à votre revendeur agréé pour de plus amples informations.

- Réglez les paramètres “SET: RS232 ECHO” et “SET: BAUD RATE” du menu Programmation. (☞ page 24)

13 Ventilateur

Rejette l'air chaud pour garder le système à basse température.

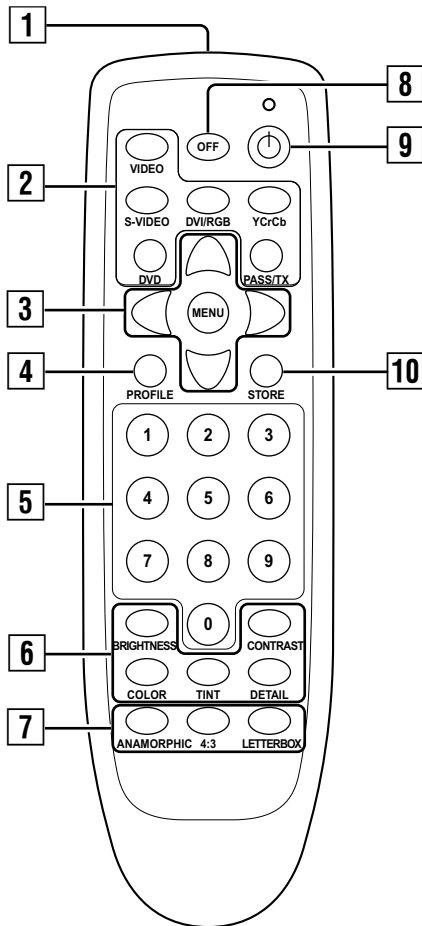
Le ventilateur ne doit pas être obstrué. Cela risque d'entraîner un dysfonctionnement de l'appareil.

14 Borne d'alimentation c.a

Il s'agit de la borne d'alimentation c.a. Branchez le cordon électrique fourni à cette borne.

Télécommande

Il est possible que certaines touches ne soient pas accessibles selon les réglages programmés dans la source d'entrée ou l'appareil. Le message "KEY NOT VALID" message apparaît sur l'ACL si vous enfoncez une touche de commande non accessible.



1 Émetteur des signaux lumineux de la télécommande

2 Touches de sélection d'entrée

Sélectionnez l'entrée des signaux vers cet appareil.

Touche [VIDEO]

Appuyez sur cette touche pour sélectionner le signal vidéo composite parvenant au port d'entrée [VIDEO], situé à l'arrière de cet appareil.

Touche [S-VIDEO]

Appuyez sur cette touche pour sélectionner le signal S-vidéo parvenant au port d'entrée [S-VIDEO], situé à l'arrière de cet appareil.

Touche [DVI/RGB]

Appuyez sur cette touche pour sélectionner le signal DVI numérique ou RGB analogique parvenant au port d'entrée [DVI INPUT] ou [R/G/B/C-SYNC], situé à l'arrière de cet appareil.

- L'entrée passe du signal DVI numérique au signal RGB chaque fois que la touche [DVI/RGB] est enfoncée. Il est également possible de programmer l'entrée DVI ou RGB directe.

Entrée DVI

Appuyez sur la touche [DVI/RGB], puis sur la touche [0]

Entrée RGB

Appuyez sur la touche [DVI/RGB], puis sur la touche [1]

Touche [Y/Cr/Cb]

Appuyez sur cette touche pour sélectionner le signal vidéo composant parvenant au port d'entrée [Y, Cr/Pr, Cb/Pb], situé à l'arrière de cet appareil.

Touche [DVD]

Incompatible avec ce processeur.

Touche [PASS/TX]

Appuyez sur cette touche pour activer la sortie (par transfert) des signaux de format compatible parvenant au port d'entrée de cet appareil.

Les signaux d'entrée DVI parviennent au port de sortie DVI et les signaux d'entrée analogique parviennent au port d'entrée analogique sans être transcodés (de YPrPb à RGBHV).

NUMÉRIQUE (DVI) → NUMÉRIQUE (DVI)

ANALOGIQUE RGBHV(D15) → RGBHV(BNC&D15)

YPrPb (BNC&D15) → YPrPb (BNC&D15)

3 Touches de commande du menu

[▲ / ▼ / ◀ / ▶ / MENU]

Utilisez ces touches pour programmer le menu Programmation et le menu OSD. (☞ pages 21, 25)

4 Touche [PROFILE]

Appuyez sur cette touche pour consulter le profil enregistré dans cet appareil. (☞ pages 19, 26)

5 Touches numériques

Utilisez ces touches pour régler les paramètres du menu OSD, notamment la luminosité et le contraste (paramètres à valeur numérique). (☞ page 27)

6 Touches de réglage de l'image

Utilisez ces touches pour régler la luminosité, le contraste, la couleur, la tonalité et le détail de l'image. Appuyez sur le symbole correspondant à la touche de réglage, puis sur les touches numériques pour entrer le réglage désiré.

- Ces paramètres peuvent aussi être réglés à partir du menu OSD. (☞ page 27)

Touche [BRIGHTNESS]

Sélectionne le contraste de l'image projetée. (Valeur programmée à l'usine: 50)

Touche [CONTRAST]

Sélectionne le contraste de l'image projetée. (Valeur programmée à l'usine: 50)

Touche [COLOR]

Sélectionne la luminosité de l'image projetée. (Valeur programmée à l'usine: 50)

Touche [TINT]

Sélectionne la tonalité de l'image projetée. (Valeur programmée à l'usine: 50)

- Utilisez cette touche de réglage lorsque les couleurs de l'image vidéo semblent désajustées en fonction des réglages de tonalité actuels.
- Ce paramètre ne peut pas être réglé pour les signaux (YPrPb) composants.

Touche [DETAIL]

Ajuste la qualité de l'image. (Valeur programmée à l'usine: 4)

- Sélectionnez les valeurs de réglages selon vos préférences pour l'image à visionner.

REMARQUE:

Les touches ci-dessous ne sont pas accessibles si "SET: 1080i TO 1080p" est réglé à "HIGH BANDWIDTH MODE". Le cas échéant, le message "HIGH BANDWIDTH MODE KEY NOT VALID" apparaît sur l'ACL.

- Touche [DETAIL]
- Touche [ANAMORPHIC]
- Touche [4:3]
- Touche [LETTERBOX]

7 Touches de réglage du format de l'image

Utilisez ces touches pour régler le facteur de forme de sortie du signal vidéo de cet appareil.

- Réglez la forme de l'écran (facteur de forme) dans le menu Programmation. (☞ page 22)

Touche [ANAMORPHIC]

Régalez ce paramètre pendant la sortie des signaux vidéo de 16:9.

- La sortie des images de type cinéma (facteur de forme 2,35:1) sera traitée selon le facteur de forme des signaux vidéo 16:9; une bande noire apparaîtra dans le haut et le bas des images.

Touche [4:3]

Régalez ce paramètre pendant la sortie des signaux vidéo de 4:3.

MISE EN GARDE:

Les images d'un facteur de forme autre que 16:9 (4:3, etc.) ne doivent pas être affichées sur écran 16:9 pendant une période prolongée. Cela entraînerait l'apparition d'une image permanente; cette condition n'est pas couverte par la garantie.

Touche [LETTERBOX]

Lors de l'affichage d'une image provenant d'une source 4:3 sur écran 16:9, une bande noire apparaît du côté gauche et du côté droit de l'image. Utilisez ce réglage pour supprimer les bandes noires et obtenir une image plein écran. L'image remplira l'écran; toutefois, elle sera coupée dans le haut et le bas.

8 Touche [OFF]

Appuyez sur cette touche pour passer au mode d'attente lorsque l'appareil est allumé. (☞ page 19)

9 Touche d'alimentation

Appuyez sur cette touche pour allumer l'appareil lorsqu'il est en mode d'attente. (☞ page 18)

10 Touche [STORE]

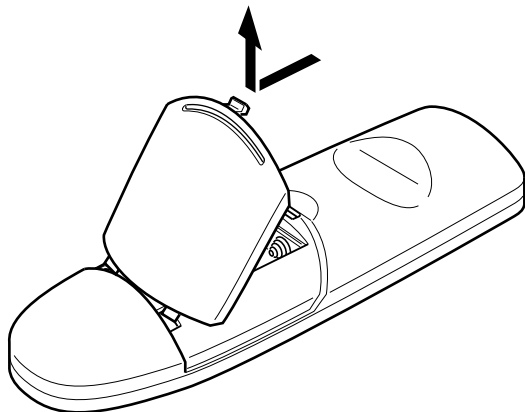
Appuyez sur cette touche pour sélectionner une fréquence de balayage de sortie ("SET: NTSC SCANRATE" ou "SET: PAL SCANRATE" dans le menu Programmation), enregistrer vos nouvelles données de profil après les avoir modifiées ou rappeler un numéro de profil. (☞ page 26).

Mise en place des piles dans la télécommande

Insérez les piles dans la télécommande. Si la télécommande ne semble pas fonctionner correctement, remplacez les piles.

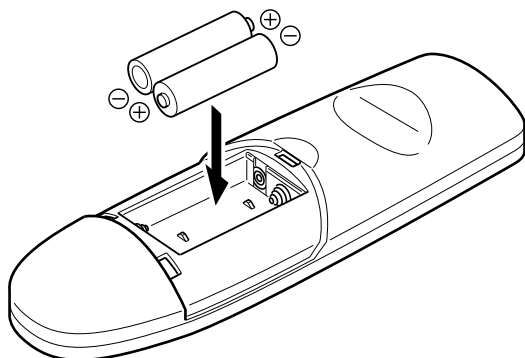
1 Retirez le couvercle du logement des piles

Pour ce, enfoncez vers vous le haut du couvercle.



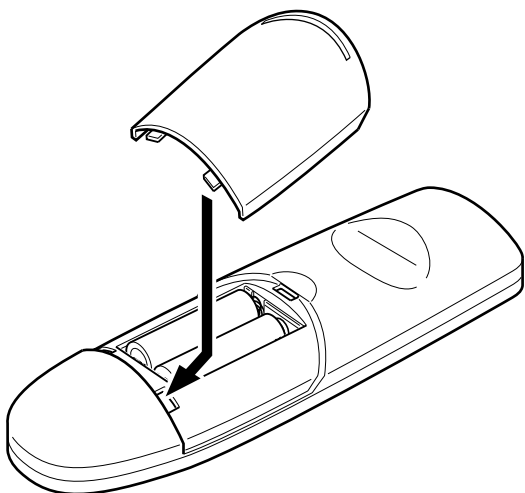
2 Insérez les piles

Insérez les 2 piles (AAA) fournies selon les indicateurs \oplus , \ominus . Pour éviter tout court-circuit, insérez d'abord l'extrémité \ominus (moins).



3 Remplacez le couvercle du logement des piles

Pour refermer, insérez la languette du couvercle du logement des piles dans la fente située sur la télécommande.



Précautions liées aux piles

La manipulation incorrecte des piles peut entraîner une fissure ou une fuite des piles. Cela présente un risque d'incendie, de brûlure, de dysfonctionnement, ou de pollution de l'environnement.

Respectez les directives suivantes:

- N'utilisez pas une pile neuve avec une pile usée.
- Chaque type de pile a sa propre spécificité. Ne mélangez jamais des piles qui ne sont pas du même type.
- Insérez les piles selon les indicateurs \oplus \ominus affichés sur l'enveloppe de la pile.
- Insérez d'abord l'extrémité moins \ominus pour éviter tout court-circuit.
- Ne jetez pas les piles dans le feu. Ne les rechargez pas.
- N'utilisez pas de piles autres que celles prescrites.
- Si la télécommande n'est pas utilisée pendant une période prolongée, retirez les piles du compartiment à piles.
- Utilisez des piles de manganèse si possible. N'utilisez pas de piles rechargeables, alcalines.
- Lisez les mises en garde imprimées sur les piles.

Durée de la vie d'une pile

Les piles ont une autonomie d'environ 6 à 12 mois dans les conditions d'usage normal. Toutefois, l'autonomie des piles dépend de l'utilisation et peut être inférieure à la durée indiquée.

Fuite d'électrolyte

Lorsque les piles sont complètement usées, remplacez-les immédiatement par des piles neuves.

Les piles usées laissées dans le compartiment peuvent présenter une fuite, ce qui peut être associé à une défaillance du matériel.

Précaution pour l'installation

Pour l'installation de cet appareil, lisez attentivement les directives suivantes:

Conditions de l'installation

Cet appareil est un dispositif de précision. Ne l'installez pas dans les endroits suivants. Autrement, il y a risque d'incendie ou de dysfonctionnement de l'appareil.

- Dans un local humide ou poussiéreux
- Dans un endroit où l'appareil risque d'être exposé à de la fumée huileuse ou de cigarette
- Sur une surface souple (moquette, coussin, etc.)
- Dans un endroit exposé aux rayons du soleil et où la température risque d'être élevée
- Dans un endroit où la température est excessivement haute ou basse

L'appareil doit disposer d'une aération adéquate lorsqu'il est installé sur une étagère. Si l'étagère supporte également un appareil émetteur de chaleur, tel un amplificateur de puissance, vous devez aussi installer un ventilateur sur l'étagère.

Plage de température de fonctionnement: +5 °C à +35 °C

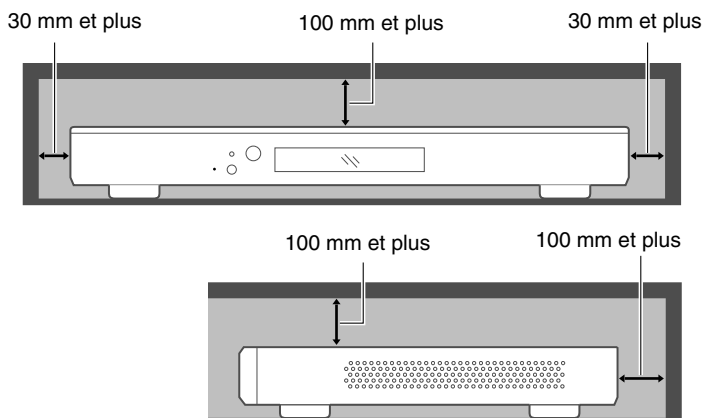
Plage d'humidité relative: 20 % à 80 % (sans condensation)

Plage de température de stockage: -10 °C à +60 °C

- Tout endroit où il y a de la fumée de cigarette ou de la graisse

Toute exposition prolongée à de la fumée ou de la graisse, même minimale, influera sur l'appareil à long terme et pourra entraîner des défaillances.

Espace minimum requis



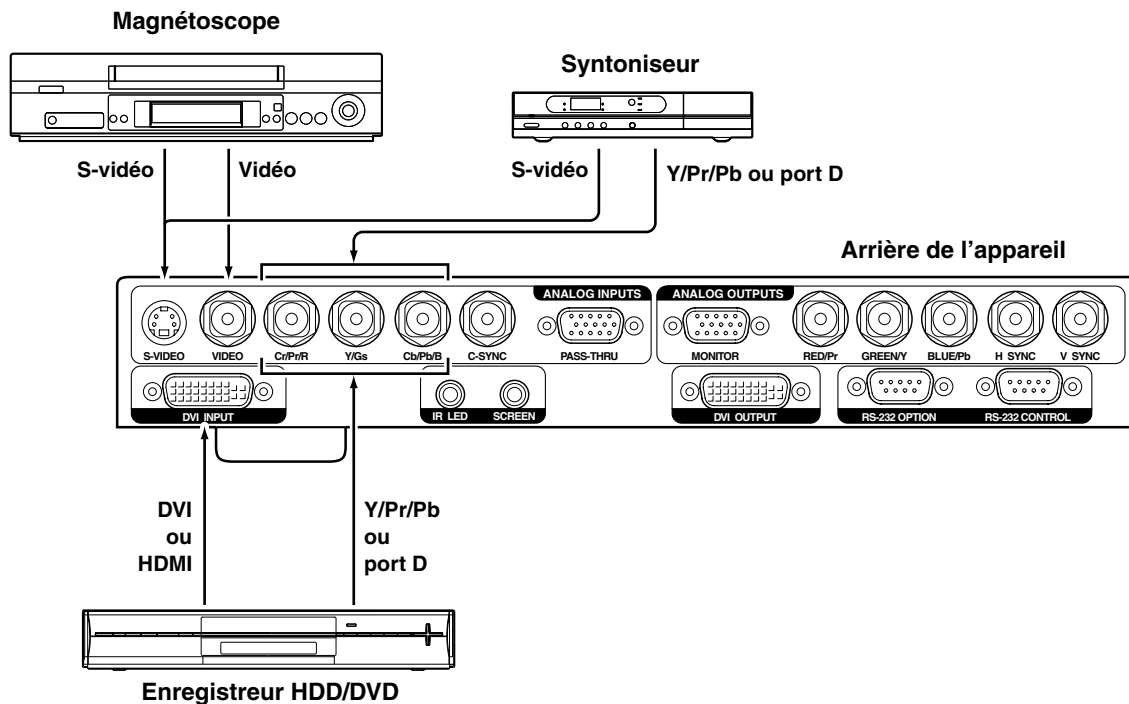
- N'installez pas cet appareil dans un espace clos; les orifice d'entrée et de sortie d'air ne doivent pas être obstrués. Il doit y avoir suffisamment d'espace autour de l'appareil pour que la chaleur puisse être évacuée.
- L'appareil doit disposer d'une aération adéquate lorsqu'il est installé sur une étagère. Si l'étagère supporte également un appareil émetteur de chaleur, tel un amplificateur de puissance, vous devez aussi installer un ventilateur sur l'étagère.

Raccordement aux divers appareils

Avant de procéder à la connexion, éteignez cet appareil et le dispositif que vous voulez utiliser.

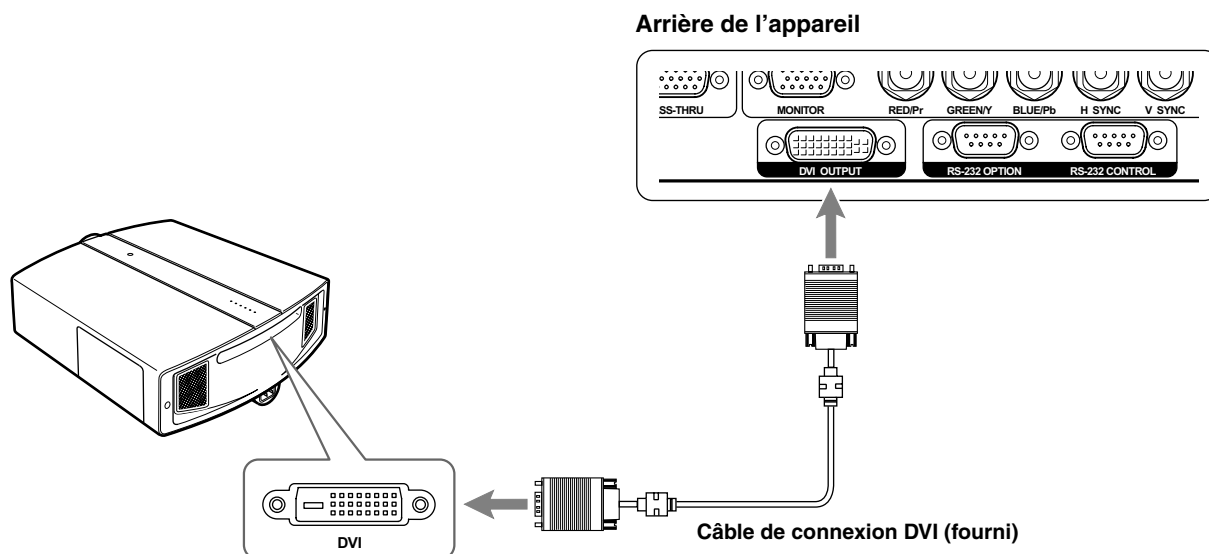
Connexion aux dispositifs d'entrée

- Lisez attentivement le manuel fourni avec le dispositif d'entrée désiré.
- Consultez l'illustration ci-dessous, qui présente les dispositifs compatibles et leur mode de connexion.



Connexion à un projecteur

- Lisez attentivement le manuel fourni avec le projecteur que vous voulez connecter.
- Utilisez le câble DVI fourni avec cet appareil. L'utilisation d'un système fractionné ou d'un câble à fibres optiques est recommandée lors de l'utilisation d'un câble qui est plus long que la longueur du câble DVI fourni.
- Selon le calibre du câble DVI utilisé, il est possible que les signaux soient atténués ou que l'image vidéo soit instable.

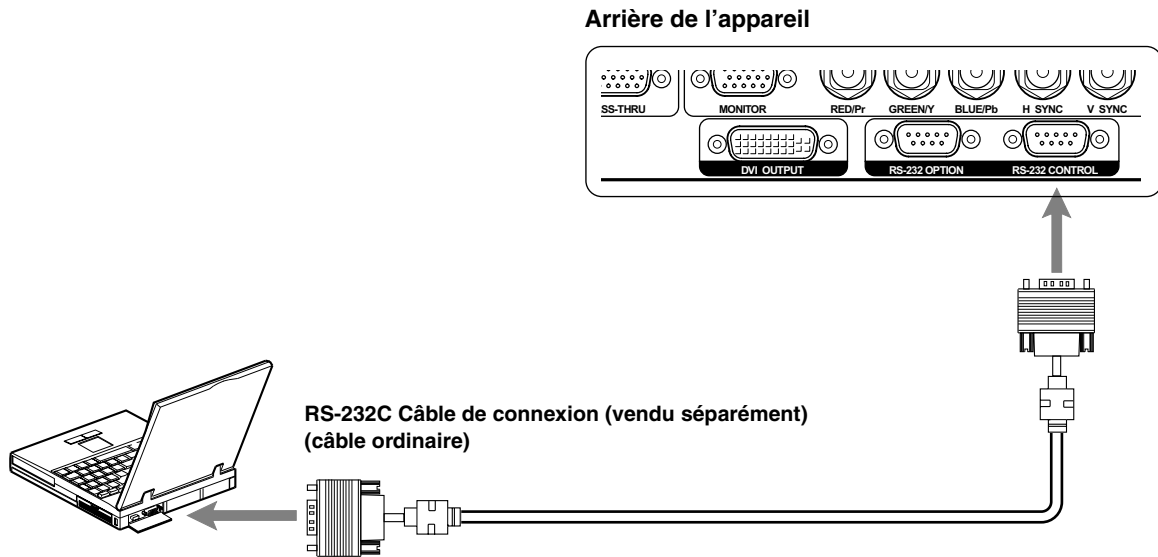


Contrôle depuis un dispositif externe

Il est possible de contrôler cet appareil en raccordant un ordinateur au port [RS-232 CONTROL] situé à l'arrière de l'appareil.

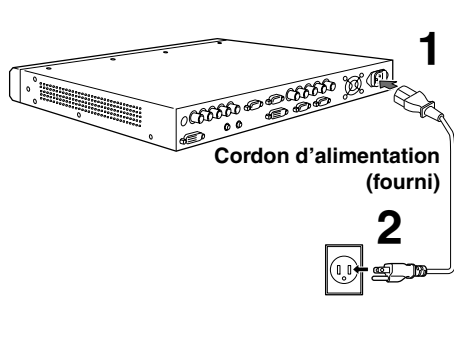
Procurez-vous, le cas échéant, les câbles de connexion nécessaires auprès de nos services.

Adressez-vous à votre revendeur agréé pour de plus amples informations.



Connexion du cordon d'alimentation (fourni)

Avant de brancher le cordon d'alimentation, assurez-vous que tous les dispositifs sont raccordés.



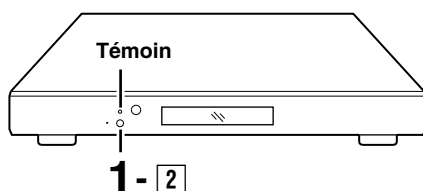
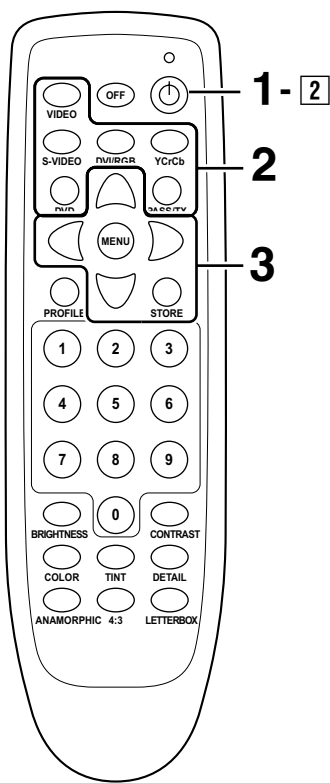
- 1** Connectez le cordon d'alimentation fourni dans le port [AC INPUT] de cet appareil
- 2** Branchez le fil de mise à la terre à la borne de terre située dans le bâtiment, puis insérez la fiche principale du cordon d'alimentation fourni dans la prise de courant murale

Précautions contre l'incendie et l'électrocution

- Lorsqu'aucun dispositif n'est utilisé, retirez la fiche de la prise murale.
- Veillez à n'utiliser que les cordons d'alimentation fournis.
- N'utilisez jamais de tensions électriques différentes des tensions indiquées.
- Évitez de couper, de déchirer ou de modifier les cordons d'alimentation. De plus, ne placez pas d'objet lourd sur les cordons d'alimentation. Évitez aussi de les chauffer ou de les étirer: cela pourrait les endommager.
- Ne manipulez pas la fiche du cordon d'alimentation avec les mains humides.

Opérations de base

Suivez les étapes faciles ci-dessous pour commencer à visionner des images vidéo. Si d'autres réglages sont requis, vous trouverez les explications nécessaires dans "Réglage et configuration dans les menus".



Préparatifs:

- Allumez le dispositif d'entrée et le projecteur.

1 Mettez l'appareil sous tension

1 Insérez la fiche d'alimentation dans la prise

- L'initialisation de l'appareil débute au moment où le cordon d'alimentation est inséré dans la prise.
- Une fois que l'initialisation est terminée, l'appareil passe en mode d'attente (le voyant s'allume en rouge).

2 Appuyez sur la touche d'alimentation de la télécommande (ou sur la touche d'alimentation/attente du processeur)

- Le voyant du processeur s'allume en vert.

2 Appuyez sur une touche de sélection d'entrée de la télécommande pour sélectionner la source d'entrée

- L'affichage des données d'entrée d'un signal HDCP peut nécessiter quelques minutes.
- Le message "RATE NOT SUPPORTED" apparaît sur l'ACL si le signal entrant n'est pas compatible avec cet appareil.

3 Réglage de la définition de sortie

1 Tenez la touche [MENU] de la télécommande enfoncée pendant sept secondes pour accéder au menu Programmation

2 Appuyez sur la touche [▲/▼] pour sélectionner "SET: NTSC SCANRATE" ou "SET: PAL SCANRATE"

- Sélectionnez "SET: NTSC SCANRATE" si le signal d'entrée est de type NTSC.
- Sélectionnez "SET: PAL SCANRATE" si le signal d'entrée est de type PAL.

3 Appuyez sur les touches [▲/▼] pour sélectionner "1920 × 1080" ou "1920 × 1080/50Hz"

- Sélectionnez "1920 × 1080" si le signal d'entrée est de type NTSC.
- Sélectionnez "1920 × 1080/50Hz" si le signal d'entrée est de type PAL.

4 Appuyez deux fois sur la touche [STORE] pour enregistrer la définition de sortie

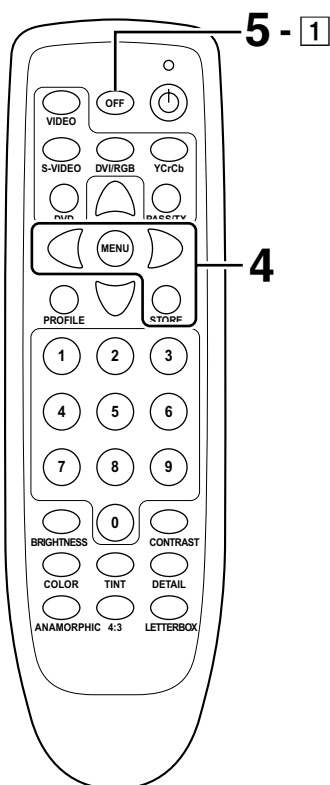
- Une image apparaît sur l'écran.

5 Appuyez deux fois sur [MENU] pour terminer

REMARQUE:

Si vous utilisez un écran 4:3, effectuez le réglage ci-dessous en plus du réglage de la définition de sortie.

1. Réglez la commande "SET: SCREEN SHAPE" du menu Programmation à "4:3" (☞ page 22)
2. Appuyez sur la touche [4:3] de la télécommande
 - Le signaux vidéo provenant de la sortie de l'appareil utilisent maintenant un facteur de forme de 4:3.
 - Ce réglage peut aussi être effectué à partir du menu OSD. (☞ page 26)



4 Enregistrez les réglages effectués aux étapes 2 et 3 dans un profil

- 1** Appuyez sur la touche [STORE]
 - Le menu “Store 1 2 3 4” apparaît sur l’écran.
- 2** Appuyez sur les touches [◀▶] pour sélectionner le numéro correspondant au profil des réglages enregistrés
- 3** Appuyez sur la touche [STORE] pour enregistrer les réglages
 - Le message “COMPLETE” apparaît sur l’ACL.

REMARQUE:

Pour enregistrer d’autres images de sortie dans des profils, répétez les étapes 2 et 4.

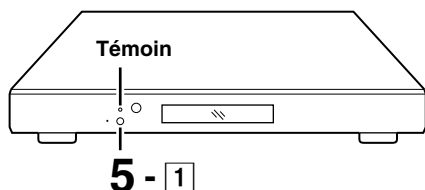
5 Éteignez l’appareil

- 1** Appuyez sur la touche [OFF] de la télécommande (ou sur la touche alimentation/attente du processeur)
 - Le voyant du processeur s’allume en rouge.
- 2** Débranchez la prise d’alimentation de la prise murale

REMARQUE:

Pour visionner ces images par la suite, il suffit de spécifier le numéro de profil correspondant après avoir allumé l’appareil.

1. Allumez tous les appareils
2. Appuyez sur la touche [PROFILE]
 - Le menu “Recall 1 2 3 4” apparaît à l’écran
3. Appuyez sur les touches [◀▶] pour sélectionner le numéro de profil désiré
4. Appuyez sur la touche [STORE] pour confirmer
 - Une image apparaît sur l’écran.
 - Si vous modifiez les réglages à la suite du rappel d’un profil, les nouveaux réglages remplacent automatiquement les anciens.
5. Appuyez sur la touche [MENU] pour fermer le menu OSD



Réglage et configuration dans les menus

Les menus de cet appareil sont organisés comme ci-dessous. Le texte s'affiche en anglais seulement. Le menu Programmation apparaît sur l'ACL. Le menu OSD apparaît sur l'écran par le biais du projecteur connecté à cet appareil.

Réglages disponibles dans le menu Programmation

SET: NTSC SCANRATE

(Réglage de la fréquence de balayage des signaux NTSC)

SET: PAL SCANRATE

(Réglage de la fréquence de balayage des signaux PAL)

SET: ACTIVE OUTPUT

(Réglage du signal de sortie)

SET: SCREEN SHAPE

(Réglage de la forme de l'écran du projecteur)

SET: ANALOG BLACK LVL

(Réglage de la fréquence du noir du signal analogique)

SET: COMP SYNC ON H

(Réglage du signal de synchronisation composite)

- Ce réglage n'est pas nécessaire.

SET: INPUT HD H-ADJUST

(Position horizontale des signaux HD)

SET: DVI INPUT LEVEL

(Réglage de la fréquence des signaux d'entrée DVI numérique)

SET: VIDEO INPUT

(Réglage de l'entrée des signaux vidéo composite)

SET: S-VIDEO INPUT

(Réglage de l'entrée des signaux S-vidéo)

SET: RGB INPUT

(Réglage de l'entrée des signaux RGB)

SET: YCrCb INPUT

(Réglage de l'entrée des signaux vidéo composants)

SET: DVI INPUT

(Réglage de l'entrée des signaux DVI numérique)

SET: PASSTHRU INPUT

(Réglage de l'entrée de porteuse)

SET: RGB INPUT SYNC

(Réglage du signal de synchronisation RGB)

SET: DVI INPUT H SYNC

Réglage du signal de synchronisation horizontale en entrée DVI)

SET: OSD

(Réglage de l'affichage sur écran)

SET: OSD TIMER

(Réglage de la minuterie OSD)

SET: LCD TIMER

(Réglage de la minuterie LCD)

SET: RS232 ECHO

(Réglage de l'écho RS-232C)

SET: BAUD RATE

(Réglage du débit en bauds RS-232C)

SET: SCREEN TRIGGER

(Réglage Screen-Trigger)

SET: 1080i TO 1080p

(Réglage de la fréquence de sortie des signaux 1080i)

SET: NTSC PROFILE

(Réglage du profil des signaux NTSC)

SET: PAL PROFILE

(Réglage du profil des signaux PAL)

SET: RESTORE FACTORY

(Réglage par défaut)

Réglages disponibles dans le menu OSD

Input-

Formats-Input
Formats-Aspect
Profile-Recall
Profile-Store

Picture-

Brightness
Contrast
Color
Tint
Detail
Adv Color

Display-

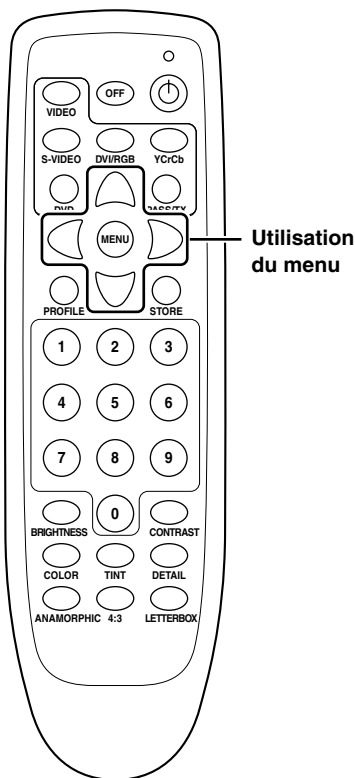
Position-Horizontal (ne fonctionne pas avec ce processeur)
Position-Vertical (ne fonctionne pas avec ce processeur)
Border Lvl
Left (Border)
Right (Border)
Bottom (Border)
Top (Border)

Patterns-

Test Pattern
Select (Modèle)

Utilisation du menu Programmation

L'utilisation du menu se fait à partir des touches de la télécommande.



1 Tenez la touche [MENU] enfoncée pendant sept secondes environ

- Le menu Programmation apparaît sur l'ACL. Il est impossible d'afficher le menu Programmation sur l'écran.

SET: NTSC SCANRATE
1280 × 720

2 Appuyez sur les touches [▲/▼] pour sélectionner un paramètre de réglage de

SET: ACTIVE OUTPUT
ANALOG RGB + DVI

Exemple: Pour modifier la valeur de réglage de "ACTIVE OUTPUT TYPE"

3 Appuyez sur les touches [◀▶] pour modifier la valeur de réglage

SET: ACTIVE OUTPUT
DVI

Exemple: Pour passer du réglage "ANALOG RGB+DVI" au réglage "DVI"

REMARQUE:

Pour régler la fréquence de balayage ("SET: NTSC SCANRATE" ou "SET: PAL SCANRATE"), sélectionnez une valeur, puis appuyez deux fois sur la touche [STORE].

4 Répétez les étapes 2, 3 pour régler d'autres paramètres

5 Appuyez deux fois sur la touche [MENU] pour quitter le menu Programmation

Configuration du menu Programmation

SET: NTSC SCANRATE

(Réglage de la fréquence de balayage des signaux NTSC)

Sélectionne la fréquence de balayage de sortie des signaux NTSC. Réglez à "1920 × 1080".

Valeurs de réglage:
1280 × 720, 1024 × 768, 1280 × 768, 1366 × 768,
1440 × 960, 1280 × 1024, DILA, DILA3,
1920 × 1080, 1400 × 788, 1920 × 540, 800 × 600
Valeurs par défaut: 1280 × 720

- Appuyez deux fois sur la touche [STORE] pour confirmer le réglage et l'enregistrer en tant que profil. Veuillez consulter 19 et 26 pour tous les détails sur le réglage du profil.

SET: PAL SCANRATE

(Réglage de la fréquence de balayage des signaux PAL)

Sélectionne la fréquence de balayage de sortie des signaux PAL. Réglez à "1920 × 1080/50Hz".

Valeurs de réglage:
1280 × 720/50Hz, 1024 × 768/75Hz, 1024 × 768/
100Hz, 1920 × 1080/50Hz, 720 × 576/50Hz,
720 × 576/100Hz
Valeurs par défaut: 1280 × 720/50Hz

- Appuyez deux fois sur la touche [STORE] pour confirmer le réglage et l'enregistrer en tant que profil. Veuillez consulter 19 et 26 pour tous les détails sur le réglage du profil.

SET: ACTIVE OUTPUT

(Réglage du signal de sortie)

Sélectionne les signaux de sortie analogique (BNC, D-sub) ou numérique (DVI) pour l'appareil.

Valeurs de réglage:
ANALOG RGB+DVI, ANALOG YPrPb, DVI, ANALOG
RGB
Valeurs par défaut: ANALOG RGB+DVI

- Sélectionnez "ANALOG RGB+DVI" pour traiter les signaux de sortie numérique et analogique. Toutefois, la sortie des signaux YPrPb est impossible.
- Chaque format de sortie peut être enregistré dans un profil différent. (☞ pages 19, 26)
- Il n'y a pas de sortie au port analogique lorsque les signaux HDCP parviennent au port d'entrée DVI de cet appareil. Le cas échéant, le message "ENCRYPTED SOURCE ANALOG OUT DISABLE" s'affiche sur l'ACL.

SET: SCREEN SHAPE

(Réglage de la forme de l'écran du projecteur)

Sélectionne la forme de l'écran du projecteur connecté à cet appareil.

Valeurs de réglage: WIDESCREEN, WIDE 4:3, 4:3
Valeurs par défaut: WIDESCREEN

■ WIDESCREEN

Sélectionnez ce réglage pour la projection d'images 16:9 ou 2,35:1 sur grand écran à partir du projecteur.

■ WIDE 4:3

Sélectionnez ce réglage pour la projection d'images 4:3 sur grand écran à partir du projecteur. (Non disponible sur les appareils dont la fréquence de balayage est inférieure à 720p.)

■ 4:3

Sélectionnez ce réglage pour un écran 4:3.

SET: ANALOG BLACK LVL

(Réglage de la fréquence du noir du signal analogique)

Sélectionne la fréquence de noir du signal vidéo composant YPrPb.

Valeurs de réglage: 0 IRE, 7.5 IRE
Valeurs par défaut: 7.5 IRE

SET: COMP SYNC ON H

(Réglage du signal de synchronisation composite)

Sélectionne les signaux de synchronisation horizontale/verticale lors de la connexion par le biais d'une sortie RGB analogique (connexion quatre fils). Lorsque ce paramètre est réglé à "ON", les signaux de synchronisation composite proviennent du port [H SYNC].

Valeurs de réglage: OFF, ON
Valeurs par défaut: OFF

- Ce processeur peut être utilisé par le biais d'une connexion DVI au projecteur; par conséquent, ce réglage n'est pas nécessaire.
- Le réglage est activé lorsque vous sélectionnez "ANALOG RGB+DVI" ou "ANALOG RGB" pour le réglage "SET: ACTIVE OUTPUT".

SET: INPUT HD H-ADJUST**(Position horizontale des signaux HD)**

Ajuste la position horizontale des images vidéo ordinaire pour améliorer la qualité d'image (720p/1080i).

[Valeurs de réglage: 0–50
Valeurs par défaut: 25]

- Ajuste le format d'image approprié en fonction de la position de l'image à l'écran à partir des modèles de contrôle du DVD. L'ajustement est effectué la première fois à la position "H/V-Position" du menu OSD de cet appareil. L'ajustement réel est effectué par la suite à partir des signaux HD.

SET: DVI INPUT LEVEL**(Réglage des signaux d'entrée DVI numérique)**

Sélectionne la fréquence des signaux d'entrée DVI.

[Valeurs de réglage: 16-235, 0-255
Valeurs par défaut: 0-255]

- Sélectionne en fonction de la fréquence de signal du dispositif d'entrée.

SET: VIDEO INPUT**(Réglage de l'entrée des signaux vidéo composite)**

Active ou désactive le port d'entrée vidéo.

[Valeurs de réglage: ENABLE, DISABLE
Valeurs par défaut: ENABLE]

- Lorsque ce paramètre est réglé à "DISABLE" (ne pas utiliser), le paramètre "Video" ne peut pas être réglé à "INPUT" dans le menu OSD.
- Il est impossible de régler tous les ports à "DISABLE" (ne pas utiliser). "SET: VIDEO INPUT" est automatiquement réglé à "ENABLE" (utiliser) lorsque vous tentez cette manœuvre.

SET: S-VIDEO INPUT**(Réglage de l'entrée des signaux S-vidéo)**

Active ou désactive le port d'entrée S-vidéo.

[Valeurs de réglage: ENABLE, DISABLE
Valeurs par défaut: ENABLE]

- Lorsque ce paramètre est réglé à "DISABLE" (ne pas utiliser), le paramètre "S-Video" ne peut pas être réglé à "INPUT" dans le menu OSD.

SET: RGB INPUT**(Réglage de l'entrée des signaux RGB)**

Active ou désactive le port d'entrée RGB.

[Valeurs de réglage: ENABLE, DISABLE
Valeurs par défaut: ENABLE]

- Lorsque ce paramètre est réglé à "DISABLE" (ne pas utiliser), le paramètre "RGB" ne peut pas être réglé à "INPUT" dans le menu OSD.

SET: YCrCb INPUT**(Réglage de l'entrée des signaux vidéo composants)**

Active ou désactive le port d'entrée vidéo composant.

[Valeurs de réglage: ENABLE, DISABLE
Valeurs par défaut: ENABLE]

- Lorsque ce paramètre est réglé à "DISABLE" (ne pas utiliser), le paramètre "YCrCb" ne peut pas être réglé à "INPUT" dans le menu OSD.

SET: DVI INPUT**(Réglage de l'entrée des signaux DVI numérique)**

Active ou désactive le port d'entrée DVI.

[Valeurs de réglage: ENABLE, DISABLE
Valeurs par défaut: ENABLE]

- Lorsque ce paramètre est réglé à "DISABLE" (ne pas utiliser), le paramètre "DVI" ne peut pas être réglé à "INPUT" dans le menu OSD.

SET: PASSTHRU INPUT**(Réglage de l'entrée de porteuse)**

Active ou désactive la porteuse.

[Valeurs de réglage: ENABLE, DISABLE
Valeurs par défaut: ENABLE]

SET: RGB INPUT SYNC**(Réglage du signal de synchronisation RGB)**

Sélectionne le signal de synchronisation pendant l'entrée du signal RGB.

[Valeurs de réglage: SYNC ON GREEN, COMPOSITE SYNC
Valeurs par défaut: SYNC ON GREEN]

- Ce réglage est activé si vous sélectionnez l'entrée RGB.
- Sélectionnez "COMPOSITE SYNC" pour le signaux PAL RGB.

SET: DVI INPUT H SYNC

Réglage du signal de synchronisation horizontale en entrée DVI)

Sélectionne lorsque les signaux de synchronisation horizontale ne sont pas compatibles.

[Valeurs de réglage: NORMAL, WIDE
Valeurs par défaut: NORMAL]

- Ce réglage est activé si vous sélectionnez l'entrée DVI.

SET: OSD

(Réglage de l'affichage sur écran)

Active ou désactive l'affichage du menu OSD à l'écran.

[Valeurs de réglage: ON, OFF
Valeurs par défaut: ON]

SET: OSD TIMER

(Réglage de la minuterie OSD)

Sélectionne l'heure affichée sur l'écran.

[Valeurs de réglage: 0–255
Valeurs par défaut: 30]

SET: LCD TIMER

(Réglage de la minuterie LCD)

Sélectionne le rétro-éclairage de l'ACL.

[Valeurs de réglage: ALWAYS ON, 06–255
Valeurs par défaut: 30]

SET: RS232 ECHO

(Réglage de l'écho RS-232C)

Sélectionne "ON" lors du retour d'une commande RS-232C depuis cet appareil à un dispositif de contrôle externe. Veuillez consulter 30 pour plus de détails sur les codes RS-232C.

[Valeurs de réglage: ON, OFF
Valeurs par défaut: ON]

SET: BAUD RATE

(Réglage du débit en bauds RS-232C)

Sélectionne le débit en bauds de RS-232C.

[Valeurs de réglage: 9600, 19200, 57600
Valeurs par défaut: 19200]

SET: SCREEN TRIGGER

(Réglage Screen-Trigger)

Contrôle le Screen-Trigger-écran élévateur compatible. Réglez ce paramètre à "ON" pour la sortie DC +12 V du port [SCREEN] lorsque cet appareil est allumé. Il n'y a aucune sortie lorsque réglé à "OFF".

[Valeurs de réglage: ON, OFF
Valeurs par défaut: ON]

SET: 1080i TO 1080p

(Réglage de la fréquence de balayage de sortie des signaux 1080i)

Sélectionne le mode de conversion de signaux 1080i. Ceci est activé seulement si la fréquence de balayage de sortie est de 1080i.

Sélectionne "HIGH BANDWIDTH MODE" pour convertir une largeur de bande maximale sans avoir à régler l'image (fréquence, facteur de forme, etc.). Sélectionnez "ENHANCED MODE" pour obtenir l'ajustement plein écran et une réduction minimale de la largeur de bande.

[Valeurs de réglage:
HIGH BANDWIDTH MODE, ENHANCED MODE
Valeurs par défaut: HIGH BANDWIDTH MODE]

- Ce réglage est activé lorsque le signal de sortie d'image ("SET: NTSC SCANRATE" ou "SET: PAL SCANRATE") est réglé à "1920 × 1080" ou à "1920 × 1080/50Hz".

SET: NTSC PROFILE

(Réglage du profil des signaux NTSC)

Enregistre toutes les valeurs de réglage des signaux NTSC sous le numéro de profil sélectionné.

[Valeurs de réglage: STORE PROFILE 1–8
Valeurs par défaut: STORE PROFILE 1]

SET: PAL PROFILE

(Réglage du profil des signaux PAL)

Enregistre toutes les valeurs de réglage des signaux PAL sous le numéro de profil sélectionné.

[Valeurs de réglage: STORE PROFILE 1–8
Valeurs par défaut: STORE PROFILE 1]

SET: RESTORE FACTORY

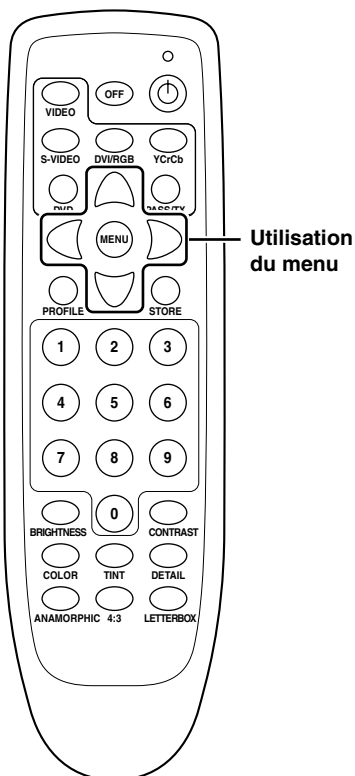
(Réglage par défaut)

Revient aux réglages programmés à l'usine.

- L'exécution de cette commande supprime tous les profils et toutes les valeurs de réglage.
- Utilisez cette commande si l'appareil ne semble pas fonctionner correctement ou après avoir procédé à une vérification système complète.
- Avant d'utiliser cette commande, déconnectez le cordon d'alimentation de l'appareil. Vous pouvez aussi enfoncer le commutateur de réinitialisation de cet appareil (à l'intérieur de l'orifice) au moyen d'une tige mince et rigide, à bout rond. La réinitialisation du logiciel n'a aucun effet sur les réglages.

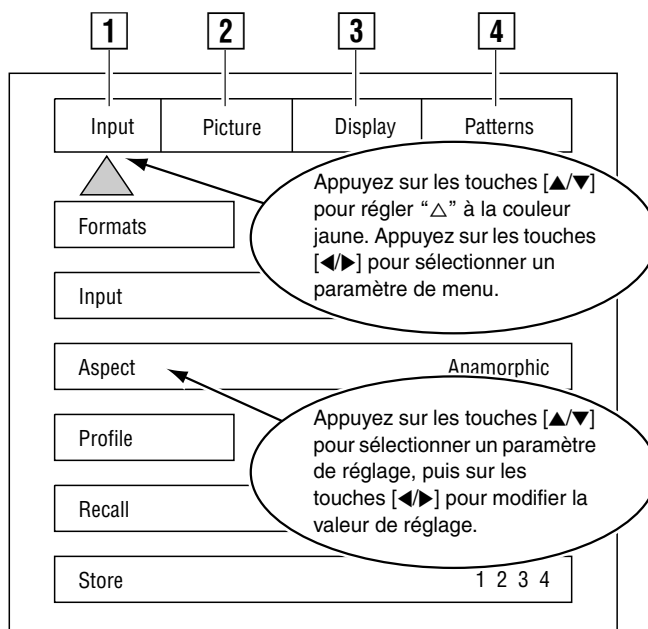
Utilisation du menu OSD

Les menus sont manipulés en utilisant les boutons de cet appareil ou de la télécommande de l'appareil. Le texte s'affiche en anglais seulement.



1 Appuyez sur la touche [MENU]

- Le menu OSD s'affiche sur l'écran. Appuyez à nouveau pour effacer le menu OSD.



2 Appuyez sur les touches [▲/▼] pour sélectionner le jaune comme couleur de la partie supérieure du menu "△" OSD

3 Appuyez sur les touches [◀/▶] pour sélectionner un paramètre de menu (Input/Picture/Display/Patterns)

- La liste des paramètres de réglage possibles pour le paramètre sélectionné apparaît à l'écran.

4 Appuyez sur les touches [▲/▼] pour sélectionner un paramètre de réglage

5 Appuyez sur les touches [◀/▶] pour modifier la valeur de réglage

6 Appuyez sur les touches [▲/▼] pour revenir au menu OSD

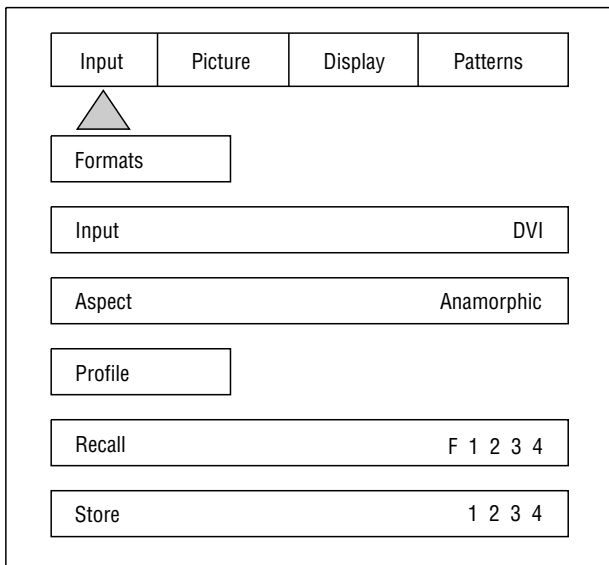
7 Répétez les étapes 2 à 6 pour régler d'autres paramètres

8 Appuyez sur la touche [MENU] pour quitter le menu OSD

Configuration du menu OSD

1 Menu Input

- Le réglage "Input" du menu "Input" peut aussi être effectué au moyen des touches de sélection d'entrée de la télécommande. (☞ page 12)



Formats

Input

Sélectionnez l'entrée des signaux vers cet appareil.

[Valeurs de réglage: DVI, Video, S-Video, RGB, YCrCb]
 [Valeurs par défaut: DVI]

Aspect

Utilisez ces touches pour régler le facteur de forme de sortie du signal vidéo de cet appareil.

[Valeurs de réglage: Anamorphic, Letterbox, 4×3]
 [Valeurs par défaut: Anamorphic]

- Réglez le facteur de forme de l'écran dans le menu Programmation. Lorsque le facteur de forme "Anamorphic" est sélectionné alors que le réglage de forme de l'écran est réglé à "4:3" et à "WIDE 4:3", il est impossible de traiter les signaux à fréquence de balayage est 480p, 540p et 600p, et les signaux dont le cadre a été doublé.
- Lors de l'affichage d'une image provenant d'une source 4:3 sur écran grand angle, une bande noire apparaît du côté gauche et du côté droit de l'image. Il est possible d'afficher ces barres latérales en gris en sélectionnant le paramètre "Border Lvl" dans le menu "Display". Si vous préférez l'affichage plein écran, remplacez le réglage "Aspect" dans le menu "Input" par le réglage "Letterbox". L'image remplira l'écran; toutefois, elle sera coupée dans le haut et le bas (surbalayage).
- Lors du visionnement d'un film dont le format d'image est 2,35:1 sur écran 16:9 (1:77), il est normal de voir des barres noires dans le haut et le bas de l'image.

MISE EN GARDE:

Ne projetez pas des images sauf pour celles de format 16:9 (par ex. 4:3, etc.) sur les écrans avec une taille d'affichage de 16:9 pendant de longues périodes de temps. Ceci pourrait causer une rémanence d'image permanente. La rémanence d'image n'est pas couverte par la garantie.

Touche Profile

Recall

Rappelle le profil enregistré.

[Valeurs de réglage: F (programmé à l'usine), 1, 2, 3, 4, 5, 6, 7, 8]

Store

Enregistre jusqu'à huit profils NTSC et huit profils PAL.

[Valeurs de réglage: 1, 2, 3, 4, 5, 6, 7, 8]

■ Enregistrement d'un profil

- Appuyez sur la touche [MENU] de la télécommande pour afficher le menu OSD
- Réglez (ajustez) en conséquence
- Appuyez sur les touches [▲/▼] pour sélectionner "Store"
- Appuyez sur les touches [◀▶] pour sélectionner un numéro de profil (de 1 à 8) pour l'enregistrement des réglages.
- Appuyez sur la touche [STORE] pour enregistrer le réglage

■ Rappel d'un profil

- Appuyez sur la touche [MENU] de la télécommande pour afficher le menu OSD
- Appuyez sur les touches [▲/▼] pour sélectionner "Recall"
- Appuyez sur les touches [◀▶] pour sélectionner un numéro de profil (de 1 à 8) et le rappeler
- Appuyez sur la touche [STORE] pour rappeler le profil

REMARQUES:

- Si vous modifiez les réglages après avoir rappelé un profil donné, les nouveaux réglages remplaceront automatiquement les anciens.
- Il est également possible de rappeler un profil de l'ordinateur par l'entremise de RS-232C.

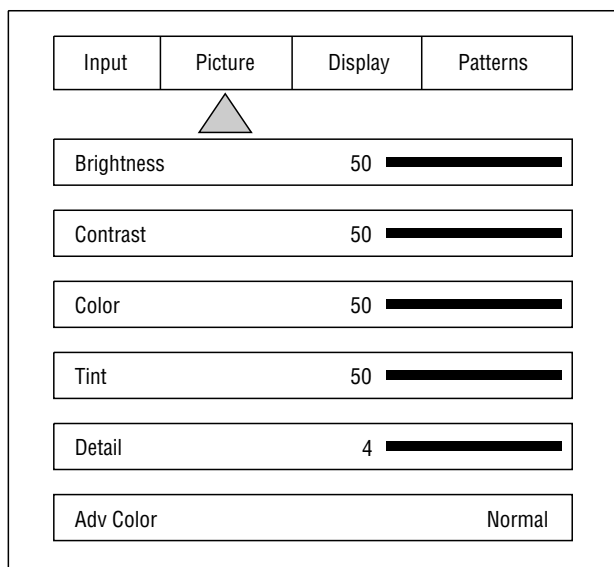
REMARQUE:

Les menus ci-dessous ne sont pas accessibles si "SET: 1080i TO 1080p" est réglé à "HIGH BANDWIDTH MODE".

- Aspect
- Tint
- Detail
- Adv Color (Système couleur évolué)
- Display

2 Menu Picture

- “Brightness”, “Contrast”, “Color”, “Tint” et “Detail” peuvent aussi être réglés sans que le menu OSD soit affiché. Appuyez sur la touche [BRIGHTNESS] de la télécommande, puis sur les touches numériques correspondant à la valeur désirée.



Touche Brightness

Sélectionne le contraste de l'image projetée.

[Valeurs de réglage: 0–100
Valeurs par défaut: 50]

- Le réglage peut aussi être effectué en appuyant sur la touche [BRIGHTNESS] de la télécommande. Appuyez sur la touche [BRIGHTNESS], puis sur les touches numériques correspondant à la valeur désirée.

Contrast

Sélectionne le contraste de l'image projetée.

[Valeurs de réglage: 0–100
Valeurs par défaut: 50]

Color

Sélectionne la luminosité de l'image projetée.

[Valeurs de réglage: 0–100
Valeurs par défaut: 50]

Tint

Sélectionne la tonalité de l'image projetée.

[Valeurs de réglage: 0–100
Valeurs par défaut: 50]

- Utilisez cette touche de réglage lorsque les couleurs de l'image vidéo semblent désajustées en fonction des réglages de tonalité actuels.
- Ce paramètre ne peut pas être réglé pour les signaux composants (YPrPb).

Detail

Ajuste la qualité de l'image.

[Valeurs de réglage: 0–15
Valeurs par défaut: 4]

- Sélectionnez les valeurs de réglages selon vos préférences pour l'image à visionner.

Adv Color (Système couleur évolué)

Certains DVD d'animation par ordinateur ou présentant des couleurs très vives n'ont pas besoin d'être traités par les circuits de délimitation couleur; le cas échéant, vous pouvez sélectionner le réglage “OFF(Bypass)”. Pour la plupart des sources, le réglage “Normal” convient.

[Valeurs de réglage: Normal, Bypass
Valeurs par défaut: Normal]

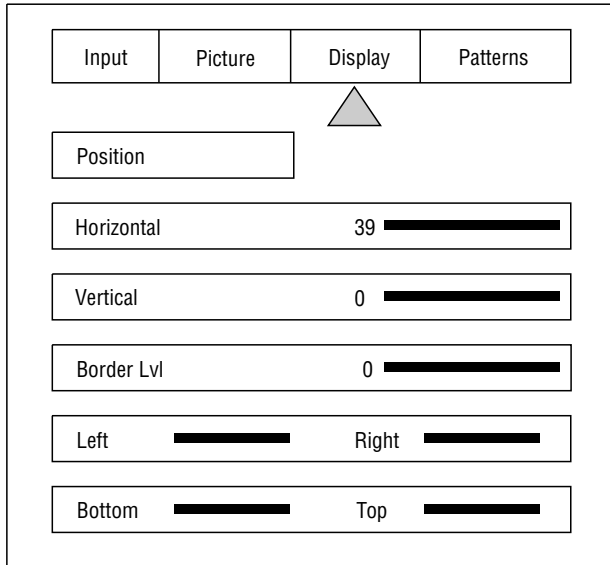
REMARQUE:

Les menus ci-dessous ne sont pas accessibles si “SET: 1080i TO 1080p” est réglé à “HIGH BANDWIDTH MODE”.

- Aspect
- Tint
- Detail
- Adv Color (Système couleur évolué)
- Display

3 Menu Display

Le menu Display n'est pas accessible si le paramètre "SET: 1080i TO 1080p" est réglé à "HIGH BANDWIDTH MODE".



Position

Horizontal

Ne fonctionne pas avec ce processeur.

Vertical

Ne fonctionne pas avec ce processeur.

Border Lvl

Sélectionne la fréquence de blanc (fréquence de bordure) de noir à blanc. Lors de l'affichage d'une image provenant d'une source 4:3 sur écran 16:9, une bande noire apparaît du côté gauche et du côté droit de l'image. Sélectionne le gris pour ces bandes.

[Valeurs de réglage: 0–100
[Valeurs par défaut: 0]

Left

Sélectionne la fréquence de blanc du bord gauche. La valeur de réglage apparaît sur l'ACL.

[Valeurs de réglage: 0–100
[Valeurs par défaut: 0]

Right

Sélectionne la fréquence de blanc du bord droit. La valeur de réglage apparaît sur l'ACL.

[Valeurs de réglage: 0–100
[Valeurs par défaut: 100]

Bottom

Sélectionne la fréquence de blanc du bord inférieur. La valeur de réglage apparaît sur l'ACL.

[Valeurs de réglage: 0–100
[Valeurs par défaut: 0]

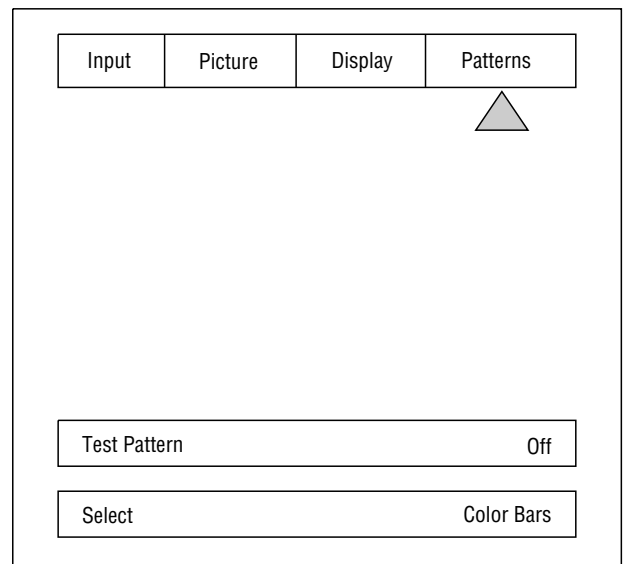
Top

Sélectionne la fréquence de blanc du bord supérieur. La valeur de réglage apparaît sur l'ACL.

[Valeurs de réglage: 0–100
[Valeurs par défaut: 100]

4 Menu Patterns

Modèle de contrôle de cet appareil. Utiliser pour régler l'image, etc. Il est impossible de régler le modèle de contrôle.



Test Pattern

Activation ou désactivation du modèle de contrôle de cet appareil.

[Valeurs de réglage: Off, On
[Valeurs par défaut: Off]

Select

Sélectionne le modèle de contrôle de sortie.

[Valeurs de réglage:
Color Bars, Pluge, Window, Multiburst, Border,
Converge, Blue, Red, Green, Black, Cr Ramp, Cb
Ramp, Y Ramp, Grey Step, Rev Bars
[Valeurs par défaut: Color Bars]

Messages d'avertissement

Lorsque la température interne de cet appareil devient trop élevée, un message d'avertissement apparaît sur l'ACL.

Message	Description de l'avertissement	Solution
“LEVEL 1 WARNING HIGH TEMPERATURE”	S'affiche lorsque la température interne de cet appareil devient trop élevée lors d'une utilisation normale.	Éteignez l'appareil et laissez-le refroidir. Assurez-vous que les entrées d'air ne sont pas obstruées avant de remettre l'appareil en marche de la façon habituelle.
“LEVEL 2 WARNING HIGH TEMPERATURE”	Apparaît lorsque la température interne de l'appareil approche d'une valeur préprogrammée.	Éteignez immédiatement l'appareil et laissez-le refroidir. Assurez-vous que les entrées d'air ne sont pas obstruées avant de remettre l'appareil en marche de la façon habituelle.
“LEVEL 3 WARNING EXCESSIVE TEMPERATURE”	Apparaît lorsque la température interne de l'appareil atteint la valeur préprogrammée. Au bout de cinq secondes d'affichage du message d'avertissement, l'appareil s'éteint automatiquement.	Débranchez le cordon d'alimentation de la prise et laissez l'appareil refroidir. Assurez-vous que les entrées d'air ne sont pas obstruées avant de remettre l'appareil en marche de la façon habituelle.

RS-232C Description du contrôle externe

Le contrôle de cet appareil est possible par le biais d'un ordinateur branché à l'appareil au moyen d'un câble droit RS-232C (vendu séparément). Vous trouverez ci-dessous la liste des commandes de contrôle requises. Adressez-vous à votre revendeur agréé pour de plus amples informations.

Format de commande

Lors de la transmission d'une commande de contrôle vers cet appareil, insérez une virgule après l'en-tête DVP (sans espace), suivi de la commande en question. Le “#” qui apparaît dans chaque code de commande correspond à un paramètre (une valeur numérique).

Par exemple: pour mettre cet appareil en marche, entrez

dvp, on [**↵** entrée]

(**↵** entrée) correspond à un saut de ligne)

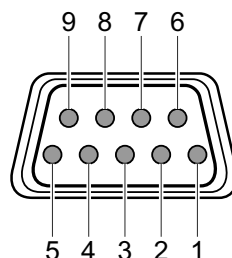
- Avant de transmettre une autre commande à l'appareil, attendez qu'il se soit allumé en réponse à votre première commande (l'initialisation doit être terminée).

Il est possible de transmettre plusieurs commande en une seule fois. Pour ce, vous devez entrer ces commandes avant d'entrer un retour de ligne et séparer chaque commande au moyen d'une virgule.

Par exemple : dvp, on, x, a2,srn4 [**↵** entrée]

(Commande de contrôle = en-tête, power on, YCrCb (component) input, 16:9, 1280 × 720 scan rate [retour de ligne])

Port RS-232C



Prise N°	Nom du signal
1	N/C
2	RD
3	TD
4	N/C
5	GND
6	N/C
7	N/C
8	N/C
9	N/C

À propos des ordinateurs

Le contrôle de cet appareil peut se faire à partir d'un ordinateur et du logiciel Windows Hyper Terminal standard. Programmez votre ordinateur de la manière ci-dessous et effectuez la connexion au moyen d'un câble droit RS-232C ordinaire (D-sub, 9 broches).

Vitesse de communication: 19200 bps

Débit binaire : 8 bits

Parité : sans objet

Bit d'arrêt : 1 bit

Contrôle de flux : sans objet

RS-232C Commandes de contrôle

■ Commandes de fonctionnement

Code	Portée	Description
A#	(0–2) 0 = 4:3, 1 = Letterbox, 2 = 16:9	Entrée format d'image
B#	(0–100) 50 (valeur par défaut)	Luminosité
C#	(0–100) 50 (valeur par défaut)	Contraste
D#	(0–15) 4 (valeur par défaut)	Détail
DVI		Entrée DVI
EXT		Porteuse entrée
FST		Rapport état système courant
HELP		Affichage de la liste complète des commandes
K#	(0–100) 50 (valeur par défaut)	Couleur
OFF		Mise hors tension
ON		Mise sous tension
P#	(0– 8) [1– 8 = utilisateur, 0 = programmé à l'usine]	Rappel profil
PM#	(0–1) [0= Normal, 1= Bypass]	Système couleur évolué
R		Entrée RGB
ST		Rapport état courant
STHELP		Affichage du menu Programmation
STNP#	(1–8)	Enregistrement profil NTSC
STPP#	(1–8)	Enregistrement profil PAL
T#	(0–100) 50 (valeur par défaut)	Tonalité
V		Entrée vidéo
X		Entrée YCrCb
Y		Entrée S-vidéo

■ Commandes Programmation

Code	Portée	Description
BB#	(0–100) 0 (valeur par défaut)	Blanc bande inférieure
BL#	(0–100) 100 (valeur par défaut)	Fréquence de blanc des barres sur image vidéo (de noir à blanc)
BLT#	(06–255)	Minuterie rétroéclairée de l'ACL du panneau avant
BLV#	(0 = 0 IRE, 1 = 7.5 IRE)	Fréquence de noir
CR#	(0 = 0-255, 1 = 16-235)	Fréquence d'entrée DVI
CS#	(1 = ON, 0 = OFF)	Signal de synchronisation composite (sortie RGB)
DHS#	(0 = NORMAL, 1 = WIDE)	Signal de synchronisation horizontale de la sortie DVI
DVID		Désactivation de la sortie DVI
DVIE		Désactivation de l'entrée DVI
E#	(1 = ON, 0 = OFF)	RS-232C ECHO
EX#	(0 = SYNC ON GREEN, 1 = COMPOSITE SYNC)	Signal de synchronisation d'entrée RGB
EXTD		Désactivation de la porteuse d'entrée
EXTE		Activation de la porteuse d'entrée
HDPROC#	(0 = ENHANCED MODE, 1 = HIGH BANDWIDTH MODE)	Réglage de la fréquence de balayage de sortie des signaux 1080i
HP#	(0–50) 39 (valeur par défaut)	Position horizontale
IHA#	(0–50) 25 (valeur par défaut)	Ajustement de la position horizontale des signaux HD
LB#	(0–100) 0 (valeur par défaut)	Blanc à gauche
M#	(0 = RGB, 1 = YPrPb)	Format de sortie
OSDOFF		Désactivation d'OSD

RS-232C Description du contrôle externe (Suite)

Code	Portée	Description
OSDON		Activation d'OSD
OSDT#	(0–255) 30 (valeur par défaut)	Minuterie d'OSD
OUTMOD	(0 = ANALOG YPrPb, 1 = DVI, 2 = ANALOG RGB, 3 = ANALOG RGB+DVI)	Mode de sortie
RB#	(0–100) 100 (valeur par défaut)	Blanc à droite
RD		Désactivation de l'entrée RGB
RE		Activation de l'entrée RGB
SCRTRG#	(1 = ON, 0 = OFF)	Screen-Trigger 12 V
SETFT		Réactivation des réglages programmés à l'usine
SRN#	(1–12)	Sélection de la fréquence de balayage NTSC
SRNHELP		Menu Aide sur la fréquence de balayage NTSC
SRP#	(1–6)	Sélection de la fréquence de balayage PAL
SRPHELP		Menu Aide sur la fréquence de balayage PAL
TB#	(0–100) 100 (valeur par défaut)	Blanc en haut
TPHLP		Affichage du menu Aide sur le modèle de contrôle
STHELP		Menu Aide sur la configuration
VP#	(0–20) 0 (valeur par défaut)	Position verticale
VPOL#	(0 = Nég, 1 = Pos)	Polarité Vsync
W#	(0 = 4:3, 1 = WIDESCREEN, 2 = WIDE 4:3)	Forme d'écran
XD		Désactivation de l'entrée YCrCb
XE		Activation de l'entrée YCrCb
YD		Désactivation de l'entrée S-vidéo
YE		Activation de l'entrée S-vidéo

■ Liste de fréquences de balayage NTSC

- Cet appareil utilise la fréquence de balayage NTSC "1920 × 1080". Les autres fréquences ne sont pas utilisées.

SRN1	1400 × 788	SRN2	1920 × 540
SRN3	800 × 600	SRN4	1280 × 720
SRN5	1024 × 768	SRN6	1280 × 768
SRN7	1366 × 768	SRN8	1440 × 960
SRN9	1280 × 1024	SRN10	1365 × 1024 (DILA)
SRN11	1400 × 1050 (DILA3)	SRN12	1920 × 1080

■ Liste de fréquences de balayage PAL

- Cet appareil utilise la fréquence de balayage PAL "1920 × 1080/50Hz". Les autres fréquences ne sont pas utilisées.

SRP1	720 × 576/50Hz	SRP2	720 × 576/100Hz
SRP3	1280 × 720/50Hz	SRP4	1024 × 768/75Hz
SRP5	1024 × 768/100Hz	SRP6	1920 × 1080/50Hz

■ Menu Aide sur le modèle de contrôle

TP0	Test Pattern Off	TP1	Color Bars
TP2	Rev Bars	TP3	Grey Step
TP4	Y Ramp	TP5	Cb Ramp
TP6	Cr Ramp	TP7	Black
TP8	Green	TP9	Red
TP10	Blue	TP11	Converge
TP12	Border	TP13	Multiburst
TP14	Window	TP15	Pluge

Caracteristiques techniques

■ Nom du Modèle/ produit	LD-HD2KBU/LD-HD2KBE Processeur vidéo numérique																																				
■ Système couleur	NTSC, PAL (autocommutation)																																				
■ Ports d'entrée	Entrée vidéo: 480i/480p/576i/576p/720p/1080i																																				
VIDEO	1 ligne, BNC × 1 1,0 Vp-p																																				
S-VIDEO	1 ligne, mini-DIN 4 broches × 1 Y: 1,0 Vp-p, C: 0,286 Vp-p																																				
R, Gs ,B, C-SYNC	1 ligne, BNC × 4 R/G/B: 0,7 Vp-p, C-SYNC: 1,0 Vp-p																																				
Y, Pr, Pb	1 ligne, BNC × 3 Y: 1,0 Vp-p, Pr/Pb: 0,7 Vp-p																																				
DVI INPUT	1 ligne, DVI-D 24 broches, *HDCP-compatible																																				
PASS-THRU	1 ligne, D-sub 15 broches <table border="1" data-bbox="512 638 1418 938"> <thead> <tr> <th>Prise N°</th> <th>Nom du signal</th> <th>Prise N°</th> <th>Nom du signal</th> <th>Prise N°</th> <th>Nom du signal</th> </tr> </thead> <tbody> <tr> <td>1</td> <td>Rouge, Pr</td> <td>6</td> <td>GND</td> <td>11</td> <td>—</td> </tr> <tr> <td>2</td> <td>Vert, Y</td> <td>7</td> <td>GND</td> <td>12</td> <td>—</td> </tr> <tr> <td>3</td> <td>Bleu, Pb</td> <td>8</td> <td>GND</td> <td>13</td> <td>H-sync</td> </tr> <tr> <td>4</td> <td>—</td> <td>9</td> <td>—</td> <td>14</td> <td>V-sync</td> </tr> <tr> <td>5</td> <td>GND</td> <td>10</td> <td>GND</td> <td>15</td> <td>—</td> </tr> </tbody> </table>	Prise N°	Nom du signal	Prise N°	Nom du signal	Prise N°	Nom du signal	1	Rouge, Pr	6	GND	11	—	2	Vert, Y	7	GND	12	—	3	Bleu, Pb	8	GND	13	H-sync	4	—	9	—	14	V-sync	5	GND	10	GND	15	—
Prise N°	Nom du signal	Prise N°	Nom du signal	Prise N°	Nom du signal																																
1	Rouge, Pr	6	GND	11	—																																
2	Vert, Y	7	GND	12	—																																
3	Bleu, Pb	8	GND	13	H-sync																																
4	—	9	—	14	V-sync																																
5	GND	10	GND	15	—																																
RS-232 CONTROL	1 ligne, D-sub 9 broches, RS-232C (contrôle externe)																																				
DEL IR	Incompatible avec ce processeur.																																				
RS-232C OPTION	Incompatible avec ce processeur.																																				
■ Ports de sortie	Signal de sortie: 1080/50p, 1080/60p																																				
R, G, B, H/V-SYNC	1 ligne, BNC × 5 R/G/B: 0,7 Vp-p/75 Ω, H/V SYNC: 4,5 V/2 kΩ																																				
Y, Pr, Pb	1 ligne, BNC × 3 Y: 1,0 Vp-p, Pr/Pb: 0,7 Vp-p																																				
MONITOR	1 ligne, D-sub 15 broches R/G/B/Pr/Pb: 0,7 Vp-p/75 Ω, Y: 1,0 Vp-p, H/V: 4,5 V/2 kΩ																																				
DVI OUTPUT	1 ligne, DVI-D 24 broches, *HDCP-compatible																																				
SCREEN	1 ligne, ø 3,5 mm, minijack monaural (DC +12 V/100 mA)																																				
■ Alimentation	AC 100 V à 240 V AC, 50 Hz/60 Hz, consommation 1,0 A																																				
■ Environnement d'utilisation	Température : 41 °F à 95 °F (+5 °C à +35 °C) Humidité : 20 % à 80 % (sans condensation) Température de rangement : 14 °F à 140 °F (-10 °C à +60 °C)																																				
■ Dimensions (L x H x P)	Environ 1 3/4 po × environ 17 po × environ 11 4/5 po (Environ 45 mm × environ 438 mm × environ 303 mm) (poignée de transport, objectif et protubérances exclus)																																				
■ Poids	Environ 13,9 lb (environ 6,3 kg)																																				
■ Accessoires	(Voir Page 9.)																																				

* L'image du port d'entrée DVI-D risque de ne pas s'afficher en raison des changements apportés aux spécifications HDCP.

- Les spécifications et l'aspect de l'appareil sont susceptibles d'être modifiées sans préavis.
- Les photos et images utilisées dans ce manuel sont non contractuelles et sont traitées d'une manière exagérée, simplifiée et synthétique pour faciliter l'explication. Les images peuvent différer du produit original.

LD-HD2KBU/LD-HD2KBE
DIGITAL VIDEO PROCESSOR
PROCESSEUR VIDEO NUMERIQUE

JVC

Free Manuals Download Website

<http://myh66.com>

<http://usermanuals.us>

<http://www.somanuals.com>

<http://www.4manuals.cc>

<http://www.manual-lib.com>

<http://www.404manual.com>

<http://www.luxmanual.com>

<http://aubethermostatmanual.com>

Golf course search by state

<http://golfingnear.com>

Email search by domain

<http://emailbydomain.com>

Auto manuals search

<http://auto.somanuals.com>

TV manuals search

<http://tv.somanuals.com>