

JVC



FM CORDLESS HEADPHONES

HA-W600RF-B



INSTRUCTIONS

LNT0068-001A

Download from [Www.Somanuals.com](http://www.Somanuals.com). All Manuals Search And Download.

FM CORDLESS HEADPHONES

CE 0197

863MHz — 865 MHz

THIS DEVICE IS INTENDED FOR USE IN THESE COUNTRIES:



English	Hereby, JVC, declares that this HA-W600RF is in compliance with the essential requirements and other relevant provisions of Directive 1999/5/EC.
Finnish	JVC vakuuttaa täten että HA-W600RF tyyppinen laite on direktiivin 1999/5/EY oleellisten vaatimusten ja sitä koskevien direktiivin muiden ehtojen mukainen.
Dutch	Hierbij verklaart JVC dat het toestel HA-W600RF in overeenstemming is met de essentiële eisen en de andere relevante bepalingen van richtlijn 1999/5/EG. Bij deze verklaart JVC dat deze HA-W600RF voldoet aan de essentiële eisen en aan de overige relevante bepalingen van Richtlijn 1999/5/EC.
French	Par la présente JVC déclare que l'appareil HA-W600RF est conforme aux exigences essentielles et aux autres dispositions pertinentes de la directive 1999/5/CE. Par la présente, JVC déclare que ce HA-W600RF est conforme aux exigences essentielles et aux autres dispositions de la directive 1999/5/CE qui lui sont applicables.
Swedish	Härmed intygar JVC att denna HA-W600RF står i överensstämmelse med de väsentliga egenskapskrav och övriga relevanta bestämmelser som framgår av direktiv 1999/5/EG.
Danish	Undertegnede JVC erklærer herved, at følgende udstyr HA-W600RF overholder de væsentlige krav og øvrige relevante krav i direktiv 1999/5/EF.
German	Hiermit erklärt JVC, dass sich dieser/diese/dieses HA-W600RF in Übereinstimmung mit den grundlegenden Anforderungen und den anderen relevanten Vorschriften der Richtlinie 1999/5/EG befindet. (BMW) Hiermit erklärt JVC die Übereinstimmung des Gerätes HA-W600RF mit den grundlegenden Anforderungen und den anderen relevanten Festlegungen der Richtlinie 1999/5/EG. (Wien)
Greek	ΜΕ ΤΗΝ ΠΑΡΟΤΣΑ JVC ΔΗΛΩΝΕΙ ΟΤΙ ΗΑ-W600RF ΣΤΜΜΟΡΦΩΝΕΤΑΙ ΠΡΟΣ ΤΙΣ ΟΤΣΙΩΔΕΙΣ Α ΠΑΙΤΗΣΕΙΣ ΚΑΙ ΤΙΣ ΛΟΙΠΕΣ ΣΧΕΤΙΚΕΣ ΔΙΑΤΑΞΕΙ Σ ΤΗΣ ΟΔΗΓΙΑΣ 1999/5/ΕΚ.
Italian	Con la presente JVC dichiara che questo HA-W600RF è conforme ai requisiti essenziali ed alle altre disposizioni pertinenti stabilite dalla direttiva 1999/5/CE.
Spanish	Por medio de la presente JVC declara que el HA-W600RF cumple con los requisitos esenciales y cualesquiera otras disposiciones aplicables o exigibles de la Directiva 1999/5/CE.
Portuguese	JVC declara que este HA-W600RF está conforme com os requisitos essenciais e outras disposições da Directiva 1999/5/CE.

Dear Customer,

This apparatus is in conformance with the valid European directives and standards regarding electromagnetic compatibility and electrical safety.

European representative of Victor Company of Japan, Limited is:

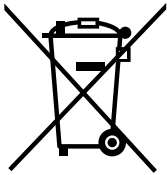
JVC Technology Centre Europe GmbH

Postfach 10 05 52

61145 Friedberg

Germany

Information for Users on Disposal of Old Equipment



[European Union]

This symbol indicates that the electrical and electronic equipment should not be disposed as general household waste at its end-of-life. Instead, the product should be handed over to the applicable collection point for the recycling of electrical and electronic equipment for proper treatment, recovery and recycling in accordance with your national legislation.

By disposing of this product correctly, you will help to conserve natural resources and will help prevent potential negative effects on the environment and human health which could otherwise be caused by inappropriate waste handling of this product. For more information about collection point and recycling of this product, please contact your local municipal office, your household waste disposal service or the shop where you purchased the product.

Penalties may be applicable for incorrect disposal of this waste, in accordance with national legislation.

(Business users)

If you wish to dispose of this product, please visit our web page www.jvc-europe.com to obtain information about the take-back of the product.

[Other Countries outside the European Union]

If you wish to dispose of this product, please do so in accordance with applicable national legislation or other rules in your country for the treatment of old electrical and electronic equipment.

Attention:

This symbol is only valid in the European Union.

This product's performance would be degraded under a strong electro-static environment. And the function would be self-recoverable after the above case.

This product's performance would be degraded since the disturbance from the mains cord. And the function would be self-recoverable after the above case.

“SOME DO’S AND DON’TS ON THE SAFE USE OF EQUIPMENT”

This equipment has been designed and manufactured to meet international safety standards but, like any electrical apparatus, care must be taken if you are to obtain the best results and safety is to be assured.



Do read the operating instructions before you attempt to use the equipment.

Do ensure that all electrical connections (including the plug, extension cord and inter-connections between pieces of equipment) are properly made and in accordance with the manufacturer’s instructions. Switch off and withdraw the plug when making or changing connections.

Do consult your dealer if you are ever in doubt about the installation or operation or safety of your equipment.

Do be careful with glass panels or doors on equipment.



DON’T continue to operate the equipment if you are in any doubt about it working normally, or if it is damaged in any way—switch off—withdraw the plug and consult your dealer.

DON’T remove any fixed cover as this may expose dangerous voltages.

DON’T leave equipment switched on when it is unattended unless it is specifically stated that it is designed for unattended operation or has a standby mode.

Switch off using the switch on the equipment and make sure that your family know how to do this.

Special arrangements may need to be made for infirm or handicapped people.

DON’T use equipment such as personal stereos or radios so that you are distracted from the requirements of road safety. It is illegal to watch television when driving.

DON’T listen to headphones at high volume as such use can permanently damage your hearing.

DON’T obstruct the ventilation of the equipment, for example with curtains or on soft furnishings.

Overheating will cause damage and shorten the life of the equipment.

DON’T use makeshift stands and NEVER fix legs with wood screws. To ensure complete safety always fit the manufacturer’s approved stand or legs with the fixing screws supplied according to the instructions.

DON’T allow electrical equipment to be exposed to rain or moisture.

ABOVE ALL

NEVER let anyone especially children push anything into holes, slots or any other opening in the case. This could result in a fatal electrical shock.

NEVER guess or make changes with electrical equipment of any kind. It is better to be safe than sorry!

Thank you for purchasing a JVC product.
Please read all instructions carefully before operation, to ensure your complete understanding and to obtain the best possible performance from the unit.

FEATURES

- Reception range up to 100 m (using JVC measurement system)
- Auto Tuning–Headphones automatically tunes in to the base station (transmitter) as it turns on
- On Stand Charging–Rechargeable system with the exclusive Ni-MH battery that requires no charge cable
- Auto Power On/Off transmitter
- “PLL” Stabilized Transmission Technology
- Auto-level control circuit that automatically adjusts signals to the appropriate modulation level
- Large 40 mm dia. driver unit for high quality sound
- Adaptable to any audio/visual equipment which has the analog audio output.

Contents

Precautions	2
Parts identification.....	3
Connection.....	4
Battery installation	5
Charging the battery.....	6
Basic operations	7
Troubleshooting.....	9
Specifications	10

For your health and traffic safety

- Be careful not to turn the sound volume up too high when using the headphones. Your hearing can be damaged by listening to sounds at excessive volume for long periods.
- Never use the headphones when driving a car, motorcycle, or bicycle. This could result in an accident.
- Pay close attention to traffic around you when using the headphones while walking. Not doing so could result in an accident.

Precautions

Important cautions

CAUTION

To reduce the risk of electrical shocks, fire, etc.:

1. Do not remove screws, cover or cabinet.
2. Do not expose this appliance to rain or moisture.

Precautions

Installation

- Select a place which is level, dry and neither too hot nor too cold (between 0°C and 35°C).
- Keep away from direct sunlight.
- Do not put it too close to a heater.
- Indoor use only.

Power cord

- Do not handle the power cord with wet hands!
- Do not bend the power cord sharply.
- Do not connect the supplied AC adaptor to any other equipment. It is exclusively for use with this unit.

Malfunctions, etc.

- There are no serviceable parts inside. If anything goes wrong, unplug the power cord and consult your dealer.
- Do not insert any metallic object.
- Do not allow water to get inside.
- Do not move or bend the ear cups or any other part of the headphones with excessive force. It may damage the headphones.
- Stop using the headphones if they are causing discomfort on your skin. Otherwise inflammation or irritation may be caused on your skin.
- The ear pad will wear out earlier than the other parts even in normal use or in normal keeping due to the material characteristics. For replacement of the ear pads, please consult with the dealer where you purchased the headphones.
- If the headphone is not used for a prolonged time, unplug the AC adaptor from an AC outlet.

Battery precautions

- Be sure to use the supplied exclusive battery. Do not use any other rechargeable or dry cell battery.
- Use only the type of battery the manufacturer recommends when replacing the battery.
- Do not throw the battery in a fire or heat it.
- Do not immerse or wet the battery in water.
- Do not remove or damage the covering tube.
- Do not subject the battery to strong shocks or throw it.
- If any liquid from the battery gets into your eyes, it may cause blindness. If battery liquid does get into your eyes, do not rub them, but instead immediately wash them thoroughly with clean water, then consult a doctor at once. Also, should any liquid from the rechargeable battery get onto your skin or clothes, it may burn your skin. In this case, wash with clean water immediately.
- When discarding batteries, environmental problems must be considered and the local rules or laws governing the disposal of these batteries must be followed strictly.

Charging precautions

- Charge only with supplied Ni-MH type battery. Other types of battery may burst causing personal injury and damage.
- Use only the supplied base station to charge the battery.
- Be sure to use the supplied AC adaptor.

Supplied accessories

Check to be sure you have all of the supplied accessories.

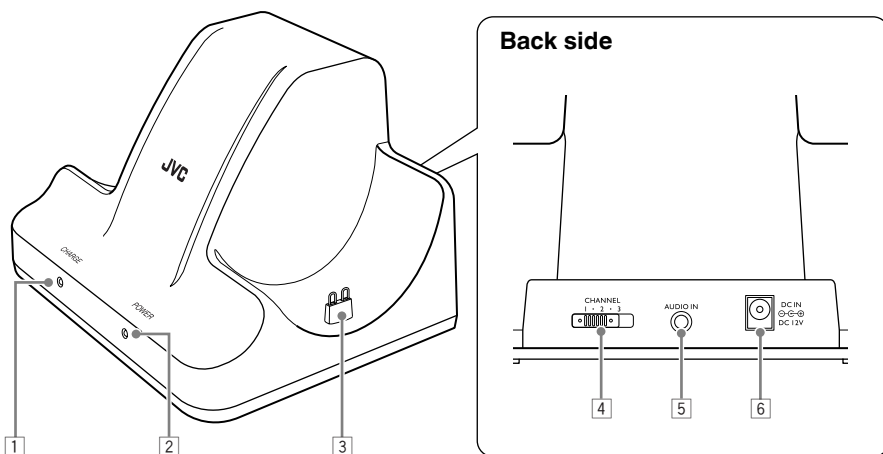
The number in parentheses is the quantity of the pieces supplied. If anything is missing, contact your dealer immediately.

- Exclusive rechargeable batteries (2)
- Exclusive AC adaptor (1)
- Connection cord (1)
- Conversion cord (1)
- Plug adaptor (1)

Parts identification

See pages in parentheses for details.

Base station (transmitter and battery charging unit)

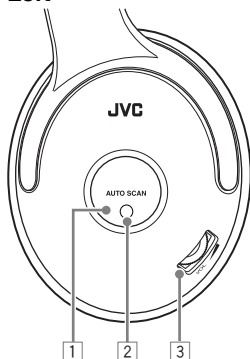


- 1 CHARGE indicator (6)
- 2 POWER indicator (7)
- 3 Battery charging terminal (6)

- 4 CHANNEL selector (8)
- 5 AUDIO IN jack (4)
- 6 DC IN \ominus \oplus jack (4)

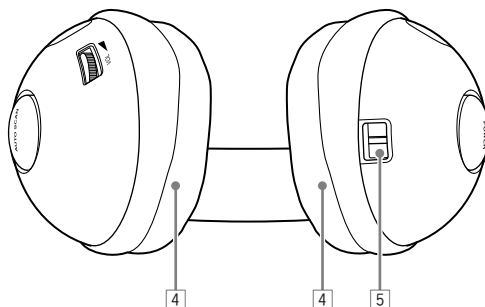
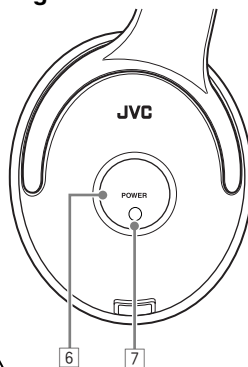
Headphones

Left



- 1 AUTO SCAN button (7, 8)
- 2 AUTO SCAN indicator (7)
- 3 VOL (volume) (7)
- 4 Ear pad (5)
- 5 Battery charging terminal (6)
- 6 POWER button (6, 7)
- 7 POWER indicator (6, 7)

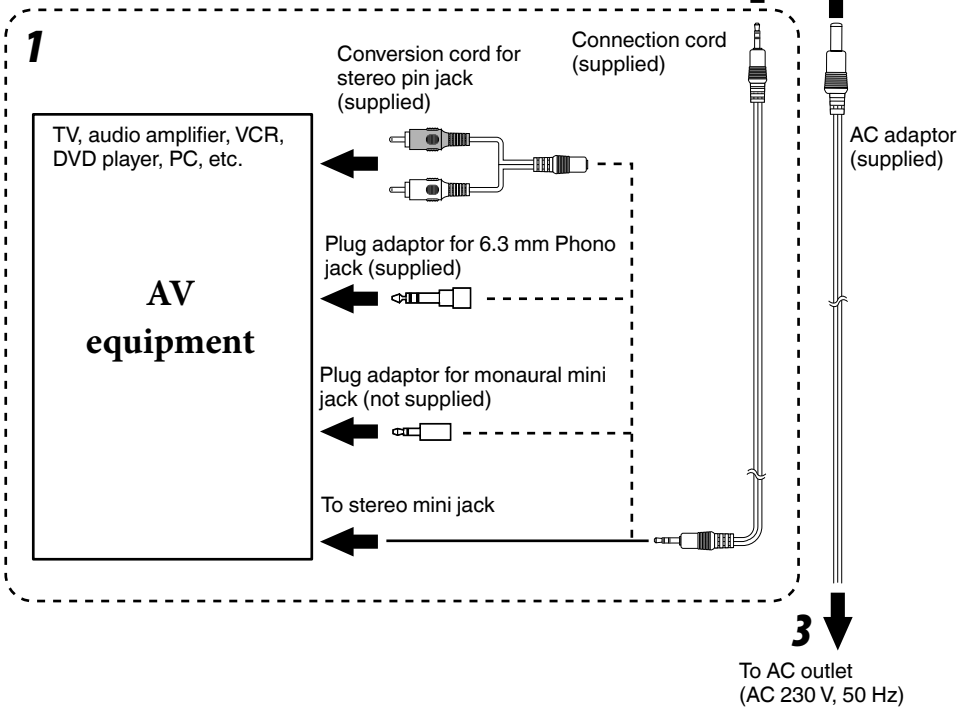
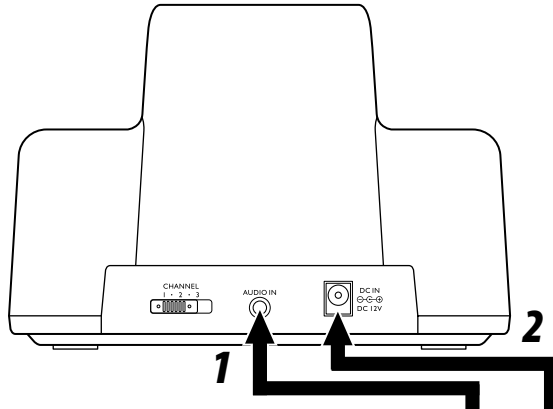
Right



Connection

Be sure to connect the AC adaptor after all other connections are complete.

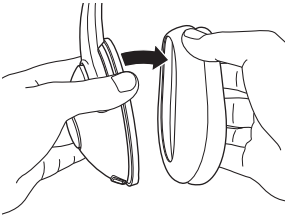
- 1** Connect the base station to the AV equipment.
- 2** Connect the AC adaptor to the base station.
- 3** Connect the AC adaptor to the AC outlet.



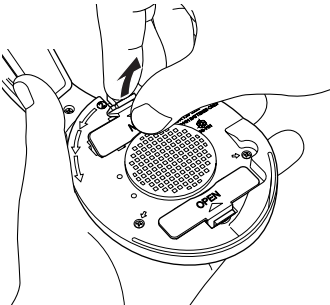
Note:
Do not use any other AC adaptor than the supplied AC adaptor. Otherwise, malfunctions may be caused.

Battery installation

- 1** Take off the ear pad of the right headphone.



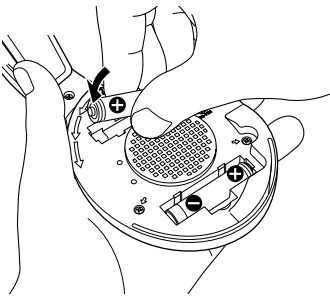
- 2** Take off the battery covers.



- 3** Install the batteries.

Match the polarity (+ and -) on the batteries with the + and - marking on the battery compartments.

- Insert the - terminal of the battery at first.

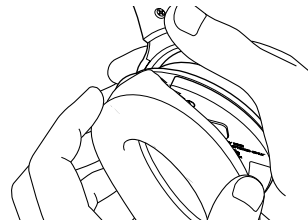
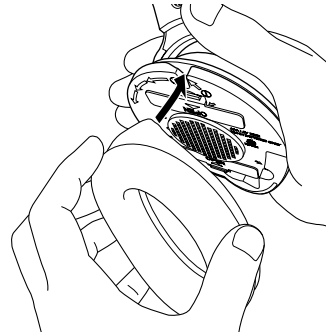


Be sure to use the supplied exclusive battery. Do not use any other rechargeable or dry cell battery, which may cause malfunctions or damage the unit.

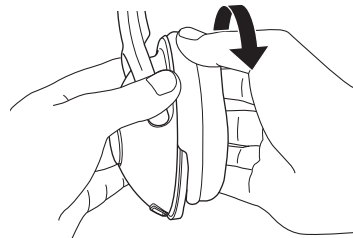
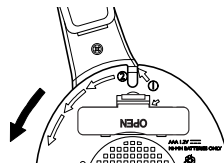
- 4** Put on the battery covers.

- 5** Put on the ear pad.

- 1** Insert the hem of the ear pad into the slit on the headphone.



- 2** Turn the ear pad anticlockwise to slide all the hem into the groove on the headphone.



- Be sure that all the hem is inserted fully. If not, turn the ear pad anticlockwise again until all the hem slides in.

Charging the battery

The base station works as the battery charging unit. Charge the rechargeable battery before starting to use the headphones.

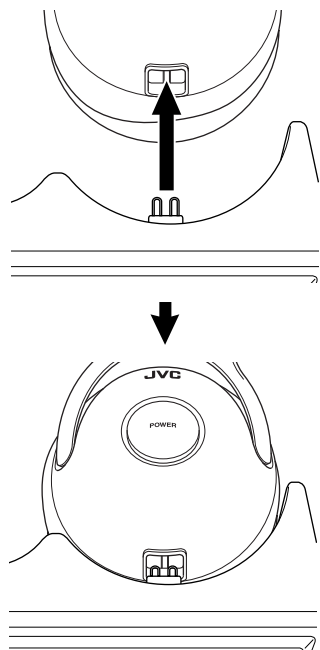
You can continuously use the headphones for about 10 hours after full battery charge.

1 Make sure that the headphones are turned off.

You cannot charge the battery of the headphones when the headphones are turned on. Press POWER to turn the Power indicator off.

2 Put on the headphones on the base station so that their charging terminals contact firmly.

When putting the headphones on the base station, hold them and adjust their position with your both hands to assure the contact of the terminals.



3 Confirm the CHARGE indicator lights up.

If the charge indicator does not light up, return steps 1 and 2 after checking the connection of the AC adaptor.

- It takes about 30 hours to charge the batteries fully.
- 30-hour charging may not charge the battery fully depending on the battery or other conditions.
- The cycle life of the rechargeable battery is approximately 500 times. (It varies depending on the conditions when charging.)
- The battery leaks its charge little by little even when the headphones' power is off, due to its characteristics.

Notes on the battery and charging

- To make battery life longer:
 - charging the battery within the temperature range of 10°C – 35°C.
 - not using the headphones in excessively cold places. Low temperature decreases battery life.
 - charging the battery after its complete discharging. Charging before complete discharge makes the battery life gradually shorter.
- Replace the batteries when their lives become about half or the playback sound become constantly noisy.
Use the exclusive rechargeable Ni-MH battery J47958 only. When purchasing the battery, consult the dealer where you bought the product.
- Replace two batteries at the same time when replacing.

Basic operations

Listening to the sound from the base station

The base station works as the FM transmitter and send sound to the headphones.

Precaution

Turn down the volume of the headphones with the VOL dial before turning on its power to avoid excessive volume.

1 Start playback on the AV equipment connected with the base station.

The base station turns on automatically and starts to transmit FM signals (Auto Power On function).

The POWER indicator of the base station lights up.

- In some situations, the power may not be turned on automatically by the input sound (e. g. a song with a quiet opening or fade in). This is not a malfunction.

2 Press POWER on the headphones to turn on the power.



The POWER indicator lights up and the headphones automatically starts to tune in to the signal from the base station (Auto Tuning function).

The AUTO SCAN indicator lights up when tuned in.

- **Press the center of the button firmly when pressing POWER. Pressing the edge may not turn on the power.**
- Charge the battery in the following cases. The battery ran out:
 - The POWER indicator does not light up after pressing POWER.
 - The AUTO SCAN indicator does not light up though the POWER indicator lights up.

- No sound is heard while Auto Tuning. It takes a few seconds to tune in.
- Press AUTO SCAN when the sound does not come out properly.



3 Adjust the volumes of the AV equipment and the headphones.



- Adjust the volumes within the area about 7 m from the base station to get optimum signal reception.
- You can get better sound by setting the volume of the AV equipment as high as possible without causing distortion and that of the headphone lower (except when connecting the AV equipment through LINE OUT jacks).

To Turn off the units

Press POWER on the headphones and stop playback on the AV equipment. The headphones' POWER indicator goes off.



- The base station automatically turns off if no signals come in for about four minutes (Auto Power OFF function).
- The white noise may come out when the base station turns off. Take off and turns off the headphones after using.

Basic operations

Selecting a better reception channel

When the playback sound is noisy, you can choose one of the other two channels to transmit signals on the base station.

- The white noise may come out when switching the channel. Take off the headphones when switching the channel.

1 Slide the **CHANNEL** selector on the back side of the base station to select another channel.



2 Press **AUTO SCAN** on the headphones to tune in to the new channel.



3 Repeat Steps 1 and 2 to select the best channel.

Listening area

The headphones can receive the FM signal of the base station 100 m away from it at maximum (when no interference or obstacles exist between them). But the receivable range becomes shorter or reception quality becomes poorer in the following cases:

- In places such as reinforced concrete buildings
- Obstacles such as steel-reinforced doors exist between the base station and headphones
- Items such as metal furniture are situated nearby
- In places facing a street
- Noise or interference sources exist nearby (e.g. mobile ham, radio stations, high-voltage power lines, a microwave oven, cordless phones, cellular phones, etc.)

Troubleshooting

What appears to be trouble is not always serious. Check the following points before calling a service center.

Symptom	Cause/Remedy
No sound comes out at all.	<ul style="list-style-type: none">• Turns on the power of the headphones.• Start playback on the AV equipment connected to the base station.• Check the connection between the base station and the AV equipment.• Turns up the volume of the headphones or the connected AV equipment to an appropriate level.• Fully charge the headphones' battery.
No sound comes out from R-channel.	<ul style="list-style-type: none">• Check the connection between the base station and the AV equipment.• Sound comes out only of L-channel when the base station is connected to the monaural audio output. Convert the mini plug to the base station from stereo to monaural with the plug adaptor (not supplied).
Sound is distorted.	<ul style="list-style-type: none">• The headphones' battery will soon run out. Fully charge the battery.• The volume of the headphones and/or the connected AV equipment is too high. Adjust their volume to an appropriate level.
Sound is noisy.	<ul style="list-style-type: none">• The headphones' battery will soon run out. Fully charge the battery.• Switch the base station channel to another and press AUTO SCAN on the headphones.• The volume of the connected AV equipment is too low. Adjust the volume as high as possible without causing distortion.• Too far from the base station. Use the headphones within the range of the base station (see page 8).
Cannot charge the battery.	<ul style="list-style-type: none">• Check the contact of the charging terminals on the base station and the headphones.• Check the polarity of the battery.• The cycle life of the battery ended. Replace with the new battery (see page 6).

Specifications

General Specifications

Modulation system:	Stereo frequency modulation system
Carrier frequency:	863.5 MHz (Channel 1) 864.0 MHz (Channel 2) 864.5 MHz (Channel 3)
Usable area (distance to reach):	Max. 100 m (using JVC measurement systems, under controlled ambient conditions)
Frequency response:	25 Hz – 13,000 Hz
Distortion:	Less than 3% (at 1 kHz)

Transmitter (J22321-001)

Power requirements:	DC 12 V (with the exclusive AC adaptor)
Audio input terminals:	3.5 mm dia. stereo mini jack
Input impedance:	36 k Ω
Reference input level:	350 mV
Dimensions:	159 (W) mm x 114 (D) mm x 123 (H) mm
Mass:	280 g (without connection cord and AC adaptor)

Headphones

Power requirements:	Rechargeable Ni-MH battery (1.2 V) x 2
Battery running time:	10 hours (when charged for 30 hours)
Mass:	250 g (with rechargeable battery)

Supplied Accessories

- Instructions x 1
- Exclusive AC adaptor x 1 (J34677-001: AC 230 V, 50 Hz, 7 W)
- Exclusive rechargeable Ni-MH battery x 2
- Connection cord x 1 (3.5 mm dia. stereo mini plug: 2.2 m)
- Conversion cord x 1 (3.5 mm dia. stereo mini jack — RCA pin plug x 2: 0.1 m)
- Plug adaptor x 1 (converts 3.5 mm dia. stereo mini plug to a 6.3 mm dia. standard stereo phone plug)

* Design and specifications subject to change without notice.

JVC

Free Manuals Download Website

<http://myh66.com>

<http://usermanuals.us>

<http://www.somanuals.com>

<http://www.4manuals.cc>

<http://www.manual-lib.com>

<http://www.404manual.com>

<http://www.luxmanual.com>

<http://aubethermostatmanual.com>

Golf course search by state

<http://golfingnear.com>

Email search by domain

<http://emailbydomain.com>

Auto manuals search

<http://auto.somanuals.com>

TV manuals search

<http://tv.somanuals.com>