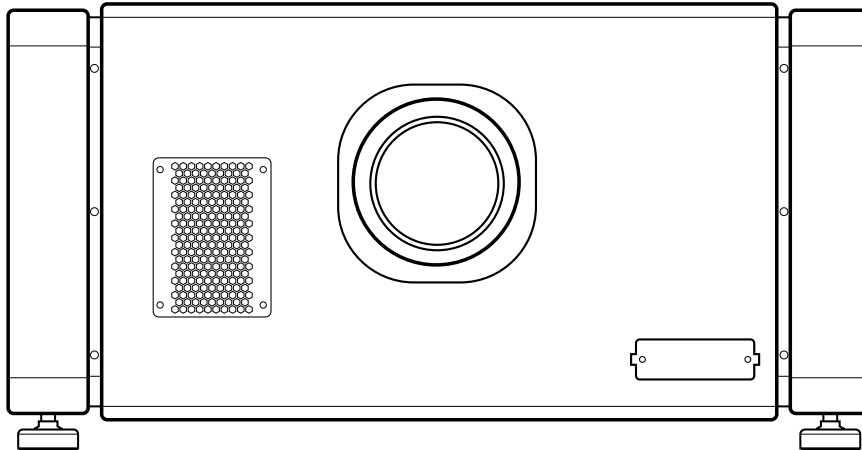




D-LILA[®] PROJECTOR

DLA-SH7NL

INSTRUCTIONS



(Lens is optional)

Thank you for purchasing this JVC product.

Please study this instruction manual carefully before starting to operate the unit, in order to use the unit correctly. We take no responsibility for any problems resulting from misuse of this unit by operating this equipment other than instructed in this manual.

For Customer use :

Enter below the serial No. which is located on the bottom side of the cabinet. Retain this information for future reference.

Model No. DLA-SH7NL

Serial No. _____

Getting Started

Connection and Installation

Network Settings

Operation and Settings

Others

Safety Precautions

IMPORTANT INFORMATION

This product has a High Intensity Discharge (HID) lamp that contains mercury.

Disposal of these materials may be regulated in your community due to environmental considerations. For disposal or recycling information, please contact your local authorities or for USA, the Electronic Industries Alliance: <http://www.eiae.org>.

WARNING:

TO PREVENT FIRE OR SHOCK HAZARDS, DO NOT EXPOSE THIS APPLIANCE TO RAIN OR MOISTURE.

WARNING:

THIS APPARATUS MUST BE EARTHED.

CAUTION:

To reduce the risk of electric shock, do not remove cover. Refer servicing to qualified service personnel.

This projector is equipped with a 3-blade grounding type plug to satisfy FCC rule. If you are unable to insert the plug into the outlet, contact your electrician.

FCC INFORMATION (U.S.A. only)

CAUTION:

Changes or modification not approved by JVC could void the user's authority to operate the equipment.

NOTE:

This equipment has been tested and found to comply with the limits for a Class A digital device, pursuant to Part 15 of the FCC Rules. These limits are designed to provide reasonable protection against harmful interference when the equipment is operated in a commercial environment. This equipment generates, uses, and can radiate radio frequency energy and, if not installed and used in accordance with the instruction manual, may cause harmful interference to radio communications. Operation of this equipment in a residential area is likely to cause harmful interference in which case the user will be required to correct the interference at his own expense.

MACHINE NOISE INFORMATION (Germany only)

Changes Machine Noise Information Ordinance 3. GSGV, January 18, 1991: The sound pressure level at the operator position is equal or less than 70 dB (A) according to ISO 7779.

About the installation place

Do not install the projector in a place that cannot support its weight securely.

If the installation place is not sturdy enough, the projector could fall or overturn, possibly causing personal injury.

IMPORTANT SAFEGUARDS

Electrical energy can perform many useful functions. This unit has been engineered and manufactured to assure your personal safety. But IMPROPER USE CAN RESULT IN POTENTIAL ELECTRICAL SHOCK OR FIRE HAZARD. In order not to defeat the safeguards incorporated into this product, observe the following basic rules for its installation, use and service. Please read these Important Safeguards carefully before use.

- All the safety and operating instructions should be read before the product is operated.
- The safety and operating instructions should be retained for future reference.
- All warnings on the product and in the operating instructions should be adhered to.
- All operating instructions should be followed.
- Place the projector near a wall outlet where the plug can be easily unplugged.
- Unplug this product from the wall outlet before cleaning. Do not use liquid cleaners or aerosol cleaners. Use a damp cloth for cleaning.
- Do not use attachments not recommended by the product manufacturer as they may be hazardous.
- Do not use this product near water. Do not use immediately after moving from a low temperature to high temperature, as this causes condensation, which may result in fire, electric shock, or other hazards.
- Do not place this product on an unstable cart, stand, or table. The product may fall, causing serious injury to a child or adult, and serious damage to the product. The product should be mounted according to the manufacturer's instructions, and should use a mount recommended by the manufacturer.
- When the product is used on a cart, care should be taken to avoid quick stops, excessive force, and uneven surfaces which may cause the product and cart to overturn, damaging equipment or causing possible injury to the operator.

PORTABLE CART WARNING
(symbol provided by RETAC)



S3126A

- Slots and openings in the cabinet are provided for ventilation. These ensure reliable operation of the product and protect it from overheating. These openings must not be blocked or covered. (The openings should never be blocked by placing the product on bed, sofa, rug, or similar surface. It should not be placed in a built-in installation such as a bookcase or rack unless proper ventilation is provided and the manufacturer's instructions have been adhered to.) For proper ventilation, separate the product from other equipment, which may prevent ventilation and keep a distance (see Page 14).
- This product should be operated only with the type of power source indicated on the label. If you are not sure of the type of power supply to your home, consult your product dealer or local power company.
- This product is equipped with a three-wire plug. This plug will fit only into a grounded power outlet. If you are unable to insert the plug into the outlet, contact your electrician to install the proper outlet. Do not defeat the safety purpose of the grounded plug.
- The lens for this product is optional. Do not attach the power cord when the lens is not attached. Turning on the power when no lens is attached may result in fire, electric shock, or other hazards.
- Power-supply cords should be routed so that they are not likely to be walked on or pinched by items placed upon or against them. Pay particular attention to cords at doors, plugs, receptacles, and the point where they exit from the product.
- For added protection of this product during a lightning storm, or when it is left unattended and unused for long periods of time, unplug it from the wall outlet and disconnect the cable system. This will prevent damage to the product due to lightning and power line surges.
- Do not overload wall outlets, extension cords, or convenience receptacles on other equipment as this can result in a risk of fire or electric shock.
- Never push objects of any kind into this product through openings as they may touch dangerous voltage points or short out parts that could result in a fire or electric shock. Never spill liquid of any kind on the product.
- Do not attempt to service this product yourself as opening or removing covers may expose you to dangerous voltages and other hazards. Refer all service to qualified service personnel.
- Unplug this product from the wall outlet and refer service to qualified service personnel under the following conditions:
 - a) When the power supply cord or plug is damaged.
 - b) If liquid has been spilled, or objects have fallen on the product.
 - c) If the product has been exposed to rain or water.
 - d) If the product does not operate normally by following the operating instructions. Adjust only those controls that are covered by the Operation Manual, as an improper adjustment of controls may result in damage and will often require extensive work by a qualified technician to restore the product to normal operation.
 - e) If the product has been dropped or damaged in any way.
 - f) When the product exhibits a distinct change in performance - this indicates a need for service.
- When replacement parts are required, be sure the service technician has used replacement parts specified by the manufacturer or with same characteristics as the original part. Unauthorized substitutions may result in fire, electric shock, or other hazards.
- Upon completion of any service or repairs to this product, ask the service technician to perform safety checks to determine that the product is in proper operating condition.
- The product should be placed more than one foot away from heat sources such as radiators, heat registers, stoves, and other products (including amplifiers) that produce heat.
- When connecting other products such as VCR's, and DVD players, you should turn off the power of this product for protection against electric shock.
- Do not place combustibles behind the cooling fan. For example, cloth, paper, matches, aerosol cans or gas lighters that present special hazards when over heated.
- Do not look into the projection lens while the illumination lamp is turned on. Exposure of your eyes to the strong light can result in impaired eyesight.
- Do not look into the inside of this unit through vents (ventilation holes), etc. Do not look at the illumination lamp directly by opening the cabinet while the illumination lamp is turned on. The illumination lamp also contains ultraviolet rays and the light is so powerful that your eyesight can be impaired.
- Do not drop, hit, or damage the light-source lamp (lamp unit) in any way. It may cause the light-source lamp to break and lead to injuries. Do not use a damaged light source lamp. If the light-source lamp is broken, ask your dealer to repair it. Fragments from a broken light-source lamp may cause injuries.
- The light-source lamp used in this projector is a high pressure lamp. Be careful when disposing of the lightsource lamp. If anything is unclear, please consult your dealer.
- Do not ceiling-mount the projector to a place which tends to vibrate; otherwise, the attaching fixture of the projector could be broken by the vibration, possibly causing it to fall or overturn, which could lead to personal injury.
- Use only the accessory cord designed for this product to prevent shock.

***DO NOT allow any unqualified person to install the unit.**

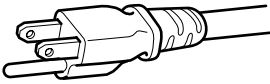
Be sure to ask your dealer to install the unit (e.g. attaching it to the ceiling) since special technical knowledge and skills are required for installation. If installation is performed by an unqualified person, it may cause personal injury or electrical shock.

Safety Precautions (Cont'd)

POWER CONNECTION

For USA and Canada only
Use only the following power cord.

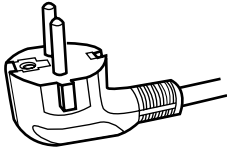
Power cord



The power supply voltage rating of this product is AC110V – AC240V. Use only the power cord designated by our dealer to ensure Safety and EMC.

Ensure that the power cable used for the projector is the correct type for the AC outlet in your country. Consult your product dealer.

Power cord



For European continent countries

WARNING:
Do not cut off the main plug from this equipment.

If the plug fitted is not suitable for the power points in your home or the cable is too short to reach a power point, then obtain an appropriate safety approved extension lead or adapter or consult your dealer. If nonetheless the mains plug is cut off, dispose of the plug immediately, to avoid a possible shock hazard by inadvertent connection to the main supply. If a new main plug has to be fitted, then follow the instruction given below.

WARNING:
THIS APPARATUS MUST BE EARTHED.

IMPORTANT:
The wires in the mains lead on this product are colored in accordance with the following cord:
Green-and-yellow : Earth
Blue : Neutral
Brown : Live

As these colors may not correspond with the colored making identifying the terminals in your plug, proceed as follows:
The wire which is colored green-and-yellow must be connected to the terminal which is marked ⊕ with the letter E or the safety earth or colored green or green-and-yellow.
The wire which is colored blue must be connected to the terminal which is marked with the letter N or colored black.
The wire which is colored brown must be connected to the terminal which is marked with the letter L or colored red.

EMC Supplement

- This equipment is in conformity with the provisions and protection requirements of the corresponding European Directives.

This equipment is designed for professional projector appliances and can be used in the following environments.

- Controlled EMC environment (for example purpose built broadcasting or recording studio), and the rural outdoors environment (far away from railways, transmitters, overhead power lines, etc).

In order to keep the best performance and furthermore for electromagnetic compatibility we recommend to use the cables not exceeding the following length:

Cables		Length
Power cord	Power supply cord	3.3 m
DVI (X4) Cable	Shielded cable	5.0 m
USB Cable	Shielded cable	2.0 m
LAN Cable	Shielded cable	2.0 m
RS-232C Cable	Shielded cable	1.6 m

- The inrush current of this apparatus is 11.945 amperes.

WARNING

This is a Class A product. In a domestic environment this product may cause radio interference in which case the user may be required to take adequate measures.

In case where the strong electromagnetic waves or magnetism are near the signal cable, the picture will contain noise. In such cases, please keep the cable away from the sources of the disturbance.

Dear Customer,

This apparatus is in conformance with the valid European directives and standards regarding electromagnetic compatibility and electrical safety.

European representative of Victor Company of Japan, Limited is:

JVC Technical Services Europe GmbH

Postfach 10 05 04

61145 Friedberg

Germany

ENGLISH

Information for Users on Disposal of Old Equipment

Attention:
This symbol is only valid in the European Union.



[European Union]

This symbol indicates that the electrical and electronic equipment should not be disposed as general household waste at its end-of-life. Instead, the product should be handed over to the applicable collection point for the recycling of electrical and electronic equipment for proper treatment, recovery and recycling in accordance with your national legislation. By disposing of this product correctly, you will help to conserve natural resources and will help prevent potential negative effects on the environment and human health which could otherwise be caused by inappropriate waste handling of this product. For more information about collection point and recycling of this product, please contact your local municipal office, your household waste disposal service or the shop where you purchased the product. Penalties may be applicable for incorrect disposal of this waste, in accordance with national legislation.

(Business users)

If you wish to dispose of this product, please visit our web page www.jvc.eu to obtain information about the take-back of the product.

[Other Countries outside the European Union]

If you wish to dispose of this product, please do so in accordance with applicable national legislation or other rules in your country for the treatment of old electrical and electronic equipment.

FRANÇAIS

Informations relatives à l'élimination des appareils usagés, à l'intention des utilisateurs

Attention:
Ce symbole n'est reconnu que dans l'Union européenne.



[Union européenne]

Lorsque ce symbole figure sur un appareil électrique et électronique, cela signifie qu'il ne doit pas être éliminé en tant que déchet ménager à la fin de son cycle de vie. Le produit doit être porté au point de pré-collecte approprié au recyclage des appareils électriques et électroniques pour y subir un traitement, une récupération et un recyclage, conformément à la législation nationale. En éliminant correctement ce produit, vous contribuerez à la conservation des ressources naturelles et à la prévention des éventuels effets négatifs sur l'environnement et la santé humaine, pouvant être dus à la manipulation inappropriée des déchets de ce produit. Pour plus d'informations sur le point de pré-collecte et le recyclage de ce produit, contactez votre mairie, le service d'évacuation des ordures ménagères ou le magasin dans lequel vous avez acheté le produit. Des amendes peuvent être infligées en cas d'élimination incorrecte de ce produit, conformément à la législation nationale.

(Utilisateurs professionnels)

Si vous souhaitez éliminer ce produit, visitez notre page Web www.jvc.eu afin d'obtenir des informations sur sa récupération.

[Pays ne faisant pas partie de l'Union européenne]

Si vous souhaitez éliminer ce produit, faites-le conformément à la législation nationale ou autres règles en vigueur dans votre pays pour le traitement des appareils électriques et électroniques usagés.

DEUTSCH

Benutzerinformationen zur Entsorgung alter Geräte

Hinweis:
Dieses Symbol ist nur in der Europäischen Union gültig.



[Europäische Union]

Dieses Symbol zeigt an, dass das elektrische bzw. elektronische Gerät nicht als normaler Haushaltsabfall entsorgt werden soll. Stattdessen sollte das Produkt zur fachgerechten Entsorgung, Weiterverwendung und Wiederverwertung in Übereinstimmung mit der Landesgesetzgebung einer entsprechenden Sammelstelle für das Recycling elektrischer und elektronischer Geräte zugeführt werden. Die korrekte Entsorgung dieses Produkts dient dem Umweltschutz und verhindert mögliche Schäden für die Umwelt und die menschliche Gesundheit, welche durch unsachgemäße Behandlung des Produkts auftreten können. Weitere Informationen zu Sammelstellen und dem Recycling dieses Produkts erhalten Sie bei Ihrer Gemeindeverwaltung, Ihrem örtlichen Entsorgungsunternehmen oder in dem Geschäft, in dem Sie das Produkt gekauft haben. Für die nicht fachgerechte Entsorgung dieses Abfalls können gemäß der Landesgesetzgebung Strafen ausgesprochen werden.

(Geschäftskunden)

Wenn Sie dieses Produkt entsorgen möchten, besuchen Sie bitte unsere Webseite www.jvc.eu, um Informationen zur Rücknahme des Produkts zu erhalten.

[Andere Länder außerhalb der Europäischen Union]

Wenn Sie dieses Produkt entsorgen möchten, halten Sie sich dabei bitte an die entsprechenden Landesgesetze und andere Regelungen in Ihrem Land zur Behandlung elektrischer und elektronischer Geräte.

NEDERLANDS

Informatie voor gebruikers over het weggoien van oude apparatuur

Let op:
Dit symbool is alleen geldig in de Europese Unie.



[Europese Unie]

Deze markering geeft aan dat de elektrische en elektronische apparatuur bij het einde van de gebruiksduur niet bij het huishoudelijk afval mag worden gegooid. Het product moet in plaats daarvan worden ingeleverd bij het relevante inzamelingspunt voor hergebruik van elektrische en elektronische apparatuur, voor juiste verwerking, teruggewinning en hergebruik in overeenstemming met uw nationale wetgeving. Door dit product naar het inzamelingspunt te brengen, werkt u mee aan het behoud van natuurlijke hulpbronnen en met het voorkomen van potentiële negatieve effecten op het milieu en de volksgezondheid, die anders veroorzaakt zouden kunnen worden door onjuiste afvalverwerking van dit product. Neem voor meer informatie over inzamelingspunten en hergebruik van dit product contact op met de gemeente in uw woonplaats, het afvalverwerkingsbedrijf of de winkel waar u het product hebt aangeschaft. Er kunnen boetes gelden voor een onjuiste verwijdering van dit afval, in overeenstemming met de nationale wetgeving.

(Zakelijke gebruikers)

Bezoek als u dit product wilt weggoien onze website www.jvc.eu voor informatie over het terugnemen van het product.

[Landen buiten de Europese Unie]

Wanneer u dit product wilt verwijderen, houdt u dan aan de geldende nationale wetgeving of andere regels in uw land voor de verwerking van oude elektrische en elektronische apparatuur.

ENGLISH



If this symbol is shown, it is only valid in the European Union.

ESPAÑOL / CASTELLANO**Información para los usuarios sobre la eliminación de equipos usados****Atención:**

Este símbolo sólo es válido en la Unión Europea.

**[Unión Europea]**

Este símbolo indica que los aparatos eléctricos y electrónicos no deben desecharse junto con la basura doméstica al final de su vida útil. El producto deberá llevarse al punto de recogida correspondiente para el reciclaje y el tratamiento adecuado de equipos eléctricos y electrónicos de conformidad con la legislación nacional.

Si desecha el producto correctamente, estará contribuyendo a conservar los recursos naturales y a prevenir los posibles efectos negativos en el medio ambiente y en la salud de las personas que podría causar el tratamiento inadecuado del producto desechado. Para obtener más información sobre el punto de recogida y el reciclaje de este producto, póngase en contacto con su oficina municipal, su servicio de recogida de basura doméstica o la tienda en la que haya adquirido el producto.

De acuerdo con la legislación nacional, podrán aplicarse multas por la eliminación incorrecta de estos desechos.

(Empresas)

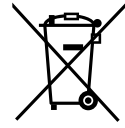
Si desea desechar este producto, visite nuestra página Web www.jvc.eu para obtener información acerca de la retirada del producto.

[Otros países no pertenecientes a la Unión Europea]

Si desea desechar este producto, hágalo de conformidad con la legislación nacional vigente u otras normativas de su país para el tratamiento de equipos eléctricos y electrónicos usados.

PORTUGUÊS**Informações para os Utilizadores sobre a Eliminação de Equipamento Antigo****Atenção:**

Este símbolo apenas é válido na União Europeia.

**[União Europeia]**

Este símbolo indica que o equipamento eléctrico e electrónico não deve ser eliminado como um resíduo doméstico geral, no fim da respectiva vida útil. Pelo contrário, o produto deve ser entregue num ponto de recolha apropriado, para efectuar a reciclagem de equipamento eléctrico e electrónico e aplicar o tratamento, recuperação e reciclagem adequados, de acordo com a respectiva legislação nacional.

Ao eliminar este produto da forma correcta, ajudará a conservar recursos naturais e ajudará a evitar potenciais efeitos negativos no ambiente e saúde humana, que poderiam ser causados pelo tratamento residual inadequado deste produto. Para mais informações sobre o ponto de recolha e reciclagem deste produto, contacte a respectiva entidade local, o serviço de eliminação de resíduos ou a loja onde adquiriu o produto.

Caso estes resíduos não sejam correctamente eliminados, poderão ser aplicadas penalizações, em conformidade com a respectiva legislação nacional.

(utilizadores profissionais)

Se pretender eliminar este produto, visite a nossa página da web em www.jvc.eu para obter informações sobre a devolução do produto.

[Outros países fora da União Europeia]

Se pretender eliminar este produto, faça-o de acordo com a legislação nacional aplicável ou outras regras no seu país para o tratamento de equipamento eléctrico e electrónico velho.

ITALIANO**Informazioni per gli utenti sullo smaltimento delle apparecchiature obsolete****Attenzione:**

Questo simbolo è valido solo nell'Unione Europea.

**[Unione Europea]**

Questo simbolo indica che l'apparecchiatura elettrica ed elettronica a cui è relativo non deve essere smaltita tra i rifiuti domestici generici alla fine della sua vita utile. Il prodotto, invece, va consegnato a un punto di raccolta appropriato per il riciclaggio di apparecchiature elettriche ed elettroniche, per il trattamento, il recupero e il riciclaggio corretti, in conformità alle proprie normative nazionali.

Mediante lo smaltimento corretto di questo prodotto, si contribuirà a preservare le risorse naturali e a prevenire potenziali effetti negativi sull'ambiente e sulla salute umana che potrebbero essere provocati, altrimenti, da uno smaltimento inappropriato del prodotto. Per ulteriori informazioni sul punto di raccolta e il riciclaggio di questo prodotto, contattare la sede comunale locale, il servizio di smaltimento rifiuti domestici o il negozio in cui si è acquistato il prodotto.

L'utente è responsabile del conferimento dell'apparecchio a fine vita alle appropriate strutture di raccolta, pena le sanzioni previste dalla vigente legislazione sui rifiuti.

(Per gli utenti aziendali)

Qualora si desideri smaltire questo prodotto, visitare la nostra pagina web www.jvc.eu per ottenere informazioni sul ritiro del prodotto.

[Per altre nazioni al di fuori dell'Unione Europea]

Qualora si desideri smaltire questo prodotto, effettuare lo smaltimento in conformità alla normativa nazionale applicabile o alle altre leggi della propria nazione relative al trattamento delle apparecchiature elettriche ed elettroniche obsolete.

ΕΛΛΗΝΙΚΑ**Πληροφορίες σχετικά με την απόρριψη εξοπλισμού****Προσοχή:**

Αυτή η σήμανση ισχύει μόνο για την Ευρωπαϊκή Ένωση.

**[Ευρωπαϊκή Ένωση]**

Αυτή η σήμανση υποδηλώνει ότι ο ηλεκτρικός και ηλεκτρονικός εξοπλισμός δεν πρέπει να απορριφθεί ως κοινό οικιακό απόρριμμα. Αντ' αυτού, το προϊόν πρέπει να παραδοθεί στο ανάλογο σημείο περισυλλογής για την ανακύκλωση των ηλεκτρικών και ηλεκτρονικών μερών και την κατάλληλη επεξεργασία, σύμφωνα με τη νομοθεσία της χώρας σας.

Η σωστή απόρριψη αυτού του προϊόντος βοηθάει στη διαφύλαξη των φυσικών πόρων και στην αποφυγή αρνητικών επιπτώσεων στο περιβάλλον και στην ανθρώπινη υγεία, κάτι που ενδέχεται να προκληθεί από την ακατάλληλη διαχείριση αυτού του προϊόντος ως απόρριμμα. Για περισσότερες πληροφορίες σχετικά με τα σημεία περισυλλογής και ανακύκλωσης αυτού του προϊόντος, επικοινωνήστε με τα γραφεία της τοπικής αυτοδιοίκησης, την υπηρεσία περισυλλογής απορριμμάτων ή το κατάστημα από το οποίο αγοράσατε το προϊόν.

Ανάλογα με τη νομοθεσία της χώρας σας, ενδέχεται να επιβληθούν κυρώσεις σε περίπτωση λανθασμένης απόρριψης αυτού του προϊόντος.

(Επιχειρήσεις)

Αν επιθυμείτε να απορρίψετε αυτό το προϊόν, επισκεφτείτε το διαδικτυακό μας τόπο www.jvc.eu για περισσότερες πληροφορίες σχετικά με την επιστροφή του προϊόντος.

[Άλλες χώρες εκτός Ευρωπαϊκής Ένωσης]

Αν επιθυμείτε να απορρίψετε αυτό το προϊόν, πρέπει να τηρήσετε την ισχύουσα εθνική νομοθεσία ή όποιους άλλους κανονισμούς για τη χώρα σας για την απόρριψη ηλεκτρικού και ηλεκτρονικού εξοπλισμού.

DANSK

Brugerinformation om bortskaffelse af gammelt udstyr

Bemærk:
Dette symbol er kun gyldigt i EU.



[EU]

Elektriske produkter og elektroniske apparater med dette symbol må ikke afhændes på samme måde som almindeligt husholdningsaffald, når det skal smides ud. I stedet skal produktet indleveres på det relevante indsamlingssted for elektriske apparater og elektronisk udstyr, hvor det vil blive håndteret korrekt og efterfølgende genanvendt og recirkuleret i henhold til de love, der gælder i dit land. Ved at bortskaffe dette produkt korrekt, medvirker du til at bevare naturens ressourcer samt forhindre eventuelle negative påvirkninger af miljøet og folkesundheden, der ellers kunne forårsages ved forkert affaldshåndtering af dette produkt. Mere information om indsamlingssteder og genanvendelse af dette produkt kan du få ved at kontakte din lokale kommune, dit renovationselskab eller den forretning, hvor du har købt produktet. Ukorrekt bortskaffelse af dette affald kan være strafbar ifølge lovgivningen i nogle lande.

(Professionelle brugere)

Hvis du ønsker at bortskaffe dette produkt, kan du på vores webside www.jvc.eu få information om tilbagetagning af produktet.

[Lande uden for EU]

Hvis du ønsker at bortskaffe dette produkt, bedes du gøre det i overensstemmelse med gældende lovgivning eller andre regler i dit land for behandling af gammelt elektrisk og elektronisk udstyr.

SVENSKA

Information till användare gällande kassering av gammal utrustning

Tänk på:
Att denna symbol endast gäller inom den Europeiska gemenskapen.



[Europeiska gemenskapen]

Denna symbol anger att elektrisk och elektronisk utrustning inte ska kasseras som vanligt hushållsaffall, när de inte ska användas mer. Istället ska produkten lämnas in på lämplig återvinningsstation för elektrisk eller elektronisk utrustning, så att den kan tas om hand och återvinnas i enlighet med ert lands lagstiftning.

Genom att avyttra denna produkt på rätt sätt, bidrar du till att bevara naturen och förhindrar potentiellt negativa effekter på miljön och den mänskliga hälsan, som annars kan bli resultatet vid felaktig hantering av denna produkt. Kontakta ditt kommunkontor, det företag som hanterar dina hushållsoppor eller butiken där du köpt produkten, för mer information om återvinningscentraler.

Det kan hända att du bötfälls i enlighet med ert lands lagstiftning om detta avfall kasseras på fel sätt.

(Företagsanvändare)

Om ni vill kassera denna produkt, besök vår websida www.jvc.eu för att få information om returnering av produkten.

[Övriga länder utanför den Europeiska gemenskapen]

Om du vill kassera denna produkt, ska detta göras i enlighet med gällande lagstiftning i landet, eller enligt andra bestämmelser i ditt land, för behandling av gammal elektrisk eller elektronisk utrustning.

SUOMI

Tietoja käyttäjille vanhojen laitteiden hävittämisestä

Huomio:
Tämä symboli on voimassa vain Euroopan unionissa.



[Euroopan unioni]

Tämä symboli tarkoittaa, että sähkö- ja elektroniikkalaitteita ei tule laittaa talousjätteisiin, kun ne poistetaan käytöstä. Sen sijaan tuotteet tulee toimittaa asianmukaiseen sähkö- ja elektroniikkalaitteiden kierrätyspisteeseen, jossa ne käsitellään uusiokäyttöä ja kierrätystä varten paikallisen lainsäädännön mukaan.

Kun hävität tuotteen asianmukaisella tavalla, autat säästämään luonnonvaroja ja estämään mahdollisia ympäristö- ja terveyshaittoja, joita voisi aiheutua tämän tuotteen vääränlaisesta hävittämisestä. Lisätietoja keräyspisteistä ja tämän tuotteen kierrätyksestä saat paikkakuntasi viranomaisilta, kotitalousjätteiden keräyksestä huolehtivasta yrityksestä tai liikkeestä, josta ostit tuotteen. Tuotteen vääränlaisesta hävittämisestä voi seurata paikallisen lainsäädännön mukaisia rangaistuksia.

(Yrityskäyttäjät)

Jos haluat hävittää tämän tuotteen, web-sivustoltamme osoitteessa www.jvc.eu löydät tietoja käytetyn tuotteen palautuksesta.

[Muut maat Euroopan unionin ulkopuolella]

Jos haluat hävittää tämän tuotteen, tee se kansallisen lainsäädännön tai muiden maassasi voimassa olevien määräysten mukaan, jotka koskevat vanhojen sähkö- ja elektroniikkalaitteiden käsittelyä.

NORSK

Informasjon til brukerne om kassering av gammelt utstyr

OBS!
Dette symbolet er kun gyldig i den Europeiske Union og i EFTA-landene Norge, Island og Sveits.



[Europeiske Union]

Dette symbolet betyr at det elektriske eller elektroniske utstyret ikke skal kasseres som vanlig husholdningsavfall når det har nådd slutten av sin levetid. I stedet skal produktet leveres til en passende mottaksstasjon for kasserte elektriske og elektroniske produkter, slik at disse kan behandles, gjenvinnes og resirkuleres i samsvar med nasjonal lovgivning.

Hvis du kasserer dette produktet på riktig måte, bidrar til du til å bevare naturlige ressurser og til å motvirke de negative virkningene på miljøet og den menneskelige helse som kan oppstå hvis produktet kasseres på feil måte. Hvis du vil ha mer informasjon om mottaksstasjoner og gjenvinning av dette produktet, kan du ta kontakt med kommunen din, renovasjonsselskapet ditt eller den forhandleren du kjøpte produktet av.

Feilaktig kassering av dette utstyret kan kanskje bøtelegges, avhengig av nasjonale lover og regler.

(Bedriftsbrukere)

Hvis du ønsker å kassere dette produktet, kan du gå til hjemmesiden vår på www.jvc.eu eller www.elretur.no for å få informasjon om retur av dette produktet.

[Andre land utenfor EU]

Hvis du ønsker å kassere dette produktet, må du gjøre det i samsvar med gjeldende nasjonal lovgivning eller andre regler som gjelder i landet ditt når det gjelder behandling av gammelt elektrisk og elektronisk utstyr.

РУССКИЙ

Информация для пользователей, выбрасывающих старое оборудование

Внимание:

Действие этого символа распространяется только на Европейский Союз.



[Европейский Союз]

Это символ указывает, что после окончания срока службы соответствующего электрического или электронного оборудования, нельзя выбрасывать его вместе с обычным бытовым мусором. Вместо этого, оно подлежит сдаче на утилизацию в соответствующий пункт приема электрического и электронного оборудования для последующей переработки и утилизации в соответствии с национальным законодательством.

Обеспечивая правильную утилизацию данного продукта, Вы помогаете сберечь природные ресурсы и предотвращаете ущерб для окружающей среды и здоровья людей, который возможен в случае ненадлежащего обращения. Более подробную информацию о пункте приема и утилизации данного продукта можно получить в местных муниципальных органах, на предприятии по вывозу бытового мусора или по месту приобретения продукта.

Нарушение правил утилизации данного типа отходов в соответствии с национальным законодательством является административным правонарушением.

(Организации-пользователи)

Прежде чем выбрасывать данный продукт, ознакомьтесь с информацией о приемке отработавших продуктов, приведенной на веб-узле www.jvc.eu.

[Страны, не входящие в Европейский Союз]

Если Вы собираетесь выбросить данный продукт, руководствуйтесь национальным законодательством или другими правилами, действующими в Вашей стране по отношению к переработке старого электрического и электронного оборудования.

POLSKI

Informacja dla użytkowników, dotycząca utylizacji niesprawnych urządzeń

Uwaga:

Taki symbol jest ważny tylko w Unii Europejskiej.



[Kraje Unii Europejskiej]

Symbol przedstawia obok oznacza, że urządzenia elektrycznych i elektronicznych po zakończeniu okresu ich eksploatacji nie należy wyrzucać razem z odpadami gospodarczymi. Należy je natomiast przekazać do punktu odbioru urządzeń elektrycznych i elektronicznych w celu ich odpowiedniego przerobu, odzysku i utylizacji zgodnie z krajowym ustawodawstwem.

Dbając o prawidłową utylizację produktu, przyczyniasz się do ochrony zasobów naturalnych i zmniejszasz negatywny wpływ oddziaływania na środowisko i zdrowie ludzi, zagrożone niewłaściwym traktowaniem odpadów elektronicznych.

Szczegółowe informacje dotyczące punktów zbiórki i powtórnego przerobu odpadów można uzyskać u władz lokalnych, w firmach zajmujących się zagospodarowaniem odpadów lub w sklepie z artykułami elektronicznymi. Zgodnie z krajowym ustawodawstwem w przypadku nieprawidłowego usuwania wspomnianych odpadów mogą być nakładane kary.

(Użytkownicy biznesowi)

Jeśli zaszła potrzeba pozbycia się niniejszego produktu, prosimy zajrzeć na strony www.jvc.eu, aby uzyskać informacje o możliwości jego odbioru.

[Kraje poza Unią Europejską]

W razie konieczności pozbycia się niniejszego produktu prosimy postępować zgodnie z lokalnymi przepisami lub innymi zasadami postępowania ze użytym sprzętem elektrycznymi i elektronicznymi.

ČESKY

Informace pro uživatele k likvidaci starého zařízení

Upozornění:

Tento symbol je platný jen v Evropské unii.



[Evropská unie]

Tento symbol udává, že elektrické a elektronické vybavení nesmí být po skončení životnosti likvidováno jako běžný komunální odpad. Produkt musí být předán na příslušném sběrném místě k správnému zpracování, regeneraci a recyklaci elektrického a elektronického vybavení. Musí být zlikvidován správně v souladu s národními předpisy vaší země.

Správnou likvidací tohoto produktu pomůžete zachovat přírodní zdroje a napomáháte prevenci potenciálních negativních dopadů na životní prostředí a lidské zdraví, což by mohly být důsledky nesprávné likvidace tohoto produktu. Podrobnější informace o sběrném místě a recyklaci tohoto produktu si vyžádejte od místních úřadů, podniku zabývajícího se likvidací komunálních odpadů ve vašem místě nebo obchodu, kde jste produkt zakoupili.

Nesprávná likvidace tohoto odpadu může mít za následek postih podle národní legislativy.

(Firemní uživatelé)

Přejete-li si tento produkt zlikvidovat, navštivte prosím naši webovou stránku www.jvc.eu, kde získáte informace o možnosti vrácení produktu.

[Ostatní země mimo Evropskou unii]

Přejete-li si zlikvidovat tento produkt, proveďte to prosím v souladu s příslušnými národními zákony nebo jinými předpisy platnými ve vaší zemi, které se vztahují k likvidaci starého elektrického a elektronického vybavení.

MAGYAR

Felhasználói tájékoztató az elhasznált berendezések ártalmatlanításáról

Figyelem!

Ez a szimbólum csak az Európai Unióban érvényes.



[Európai Unió]

Ez a szimbólum azt jelzi, hogy az elektromos és elektronikus berendezést a hasznos élettartama végén nem szabad háztartási szemétként kezelni. Ehelyett a terméket a megfelelő, elektromos és elektronikus berendezések hulladékainak hasznosítására szakosodott gyűjtőhelyre kell vinni, hogy a nemzeti törvényeknek megfelelően történjék kezelése, visszanyerése és újrahasznosítása.

A termék megfelelő ártalmatlanításával segít megőrizni a természetes erőforrásokat és megelőzheti azokat a környezetre és az egészségre gyakorolt ártalmas hatásokat, amelyeket a termék hulladékának helytelen kezelése egyébként okozhat, továbbá csökkenti az elektromos berendezésekből származó hulladékok mennyiségét és segíti az újrahasznosítást és újrafeldolgozást.

A nemzeti törvények értelmében az ilyen hulladék helytelen ártalmatlanítása esetén büntetést szabhatnak ki.

(Üzleti felhasználók)

Amennyiben ártalmatlanítani kívánja ezt a terméket, kérjük, látogasson el weboldalunkra: www.jvc.eu, ahol tájékoztatást kaphat a termék visszavételével kapcsolatban.

[Az Európai Unió külső országok]

Amennyiben ártalmatlanítani kívánja ezt a terméket, kérjük, a megfelelő nemzeti jogszabályok, illetve az Ön országának az elektromos és elektronikus berendezések hulladékának kezelésére vonatkozó, egyéb szabályai szerint végezze.

Contents

Getting Started

- Safety Precautions 2
- Contents 10
- Accessories 10
- Precautions During Use 11
- Names and Functions of Parts 12

Connection and Installation

- Installation 14
 - Optional Projection Lens 14
 - Minimum Space Required 14
 - Projector Installation Angle 15
- Installing the Projector and Screen 15
 - Screen Size and Projection Distance 18
- Connecting Video Signals of the Computer 20
 - Connection During Single-Screen Mode Display 20
 - Connection During Two-Screen/Four-Screen Mode Display 22

Network Settings

- Connection Using a LAN Cable 24
 - Connection Example 24
 - Specifications of PC for Controlling this Projector 24
- Turning On the Main Power 25
- IP Address Settings 26
 - Assigning a static IP address 26
 - Assigning IP Address from the DHCP Server 29
- Using the Mail Delivery Feature 29
 - Connection Example (When DHCP Server is Used) 29

Operation and Settings

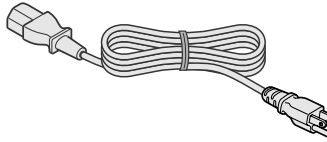
- Projecting Image 30
 - Useful Features During Projection 31
- Displaying the Menu 32
- User Settings Menu 33
 - User Settings Menu Structure 33
 - (1) Main Menu 34
 - (2) Image Menu 37
 - (3) Setting Menu 38
 - (4) Convergence Menu 39
 - (5) Lens Menu 40
 - (6) Option Menu 41
- Administrator Settings Menu 43
 - Administrator Settings Menu Structure 43
 - (7) Admin. Network Menu 44
 - (8) Admin. E-mail Menu 46
 - (9) Admin. Option Menu 48
 - (10) Admin. Signal Menu 49

Others

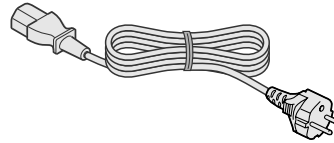
- Troubleshooting 51
 - What to do when these messages are displayed ... 53
- Warnings Using Indicators 54
- Warning Status 55
- RS-232C Interface 56
 - Communication Specifications 56
 - Command Format 56
- Maintenance 58
 - Cleaning and Replacing the Filter 58
 - Routine Servicing 59
 - Replacement of Light Source Lamp 59
- Specifications 60
 - Dimensional Outline Drawing 62

Accessories

- Power Cord
For the US market (3.3 m x 1)



- For the EU market (3.3 m x 1)



- Plug Holder x1
- Other items include the instruction manual, warranty, and other printed materials.

How to Read this Manual

■ Symbols used in this manual

CAUTION: Describes precautions to note when operating this product.

NOTE : Describes reference information, such as functions and restrictions during use.

: Indicates the page or section to refer to.

■ Content of this manual

- Personal computers or computers are expressed as computers or PCs in this manual.
- Contents of this manual are the copyright of JVC. All rights reserved. Unauthorized reproduction and duplication of this manual, in whole or in part, without the permission of JVC is strictly prohibited.
- The names of other companies' products that appear in this manual are the trademark or registered trademark of the respective companies. Symbols such as TM, ®, and © are omitted in this manual.
- Designs, specifications, and other details described in this manual may be modified for improvement without prior notice.

Precautions During Use

Burning-in of D-ILA Device

■ **Do not allow the same still picture to be projected for a long time or an abnormally bright video image to be projected**

Do not project still images with a high brightness or high contrast on the screen for a long time. This video image could be burnt into the D-ILA device.

Pay special attention when projecting video games and computer program images.

Motion images such as normal video playback images do not pose the burning-in problem.

Viewing Conditions (Brightness of Room)

■ **Brightness of the room**

Avoid direct exposure of screen to direct sunlight and lights such as by using a curtain. Images can be well projected by darkening the brightness of the room.

■ **Do not view screen for prolonged hours**

Looking at the screen continually for a prolonged time is tiring to the eyes. Allow your eyes to rest at intervals.

■ **Do not use this unit when image flickers**

Image may flicker due to installation conditions and environment. This may cause your eyesight to deteriorate.

Environment of Use

■ **Do not use this projector in rooms with cigarette smoke or oily smoke**

Do not use this projector in rooms with cigarette smoke or oily smoke. This may cause the unit to malfunction.

■ **When mounting this projector to the ceiling**

Check the temperature around the projector unit. When a heater is in use, the ceiling may reach a temperature higher than anticipated, hence leading to malfunction of the unit.

Maintenance Procedures

■ **Clean dirt on the cabinet**

Do this with a soft cloth. In case of heavy soiling, soak a cloth in neutral detergent diluted with water, wring dry and wipe, followed by wiping again using a dry cloth.

■ **Pay attention to the following to prevent the cabinet from deteriorating in condition, getting damaged, or the paint from coming off.**

- Do not wipe with a stiff cloth
- Do not wipe with force
- Do not wipe with thinner or benzene
- Do not spray volatile chemicals like insecticide
- Do not allow prolonged contact with rubber or plastic products

■ **Clean dirt on the lens**

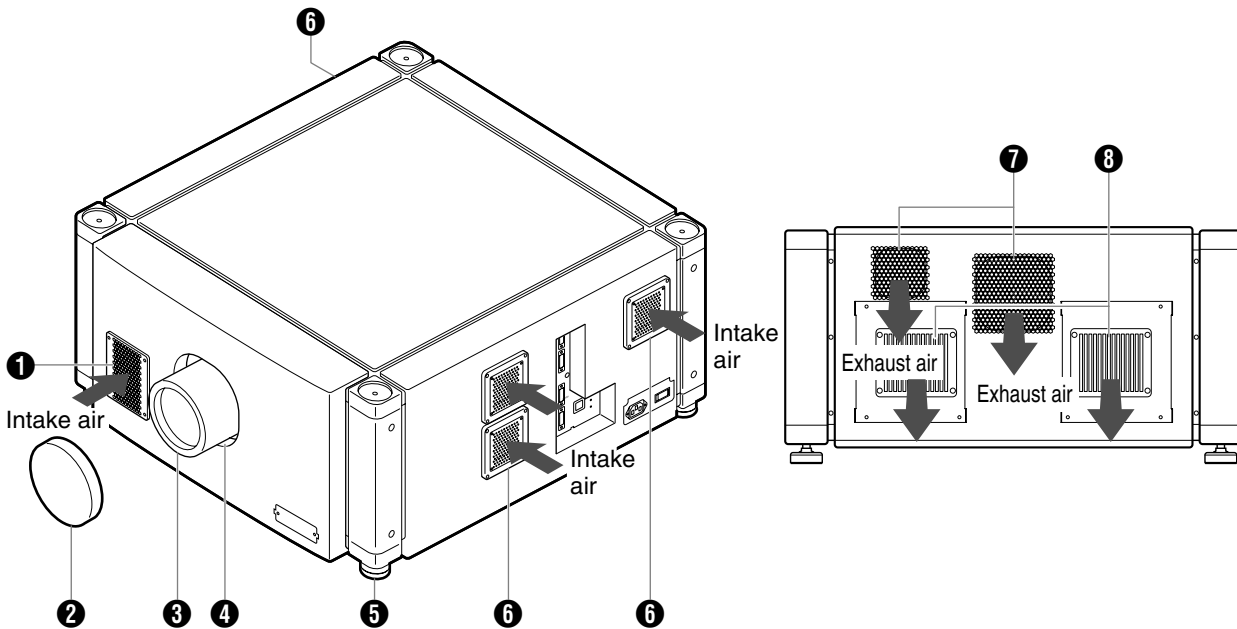
Do this using commercial blowers or lens cleaning papers (for cleaning glasses and cameras). Do not use fluid-type cleaning agents. This may lead to peeling of the surface coating film. Lens surface is fragile. Avoid rubbing it hard or knocking it.

Gauging replacement time of components

This product comes with replacement components required for maintaining the functions of this product, such as optical components, cooling fan and filters. The timing for replacing components varies considerably according to the frequency and environment of use. For details on replacement of components (except filters), please consult your authorized dealer.

Names and Functions of Parts

Front/Right/Rear Side



1 Air Inlet/Filter

The air inlets absorb air to cool the interior of the projector. A filter is mounted inside the projector to remove dirt in the air that enters through the inlets. Clean the filter regularly. (☞ Page 58)

CAUTION:

- Do not block the air inlets with papers, cloth, or soft cushions. Doing so may cause heat to trap inside the projector and result in fire or malfunction.

2 Lens Cap (included with the optional lens)

Fit the cap on the lens when this projector is not in use to prevent the lens from becoming dirty.

CAUTION:

- Do not project images with the lens cap attached. The lens cap may be deformed due to the heat, or the projector may malfunction.

3 Projection Lens (optional)

Zoom lens or short focal length lens is optional. (☞ Page 60)
Remove the lens cap before projection.

4 Lens Mounting Bracket

Mount the optional projection lens.

5 Adjustable Feet (x4)

Adjust the feet until the projector is level. The adjustable range is 20 mm for each. (☞ Page 15)

6 Air Inlet/Filter (Right Side: x3, Left Side: x1)

The air inlets absorb air to cool the interior of the projector. A filter is mounted inside the projector to remove dirt in the air that enters through the inlets. Clean the filter regularly. (☞ Page 58)

7 Vent Hole

Warm air exits from the hole after cooling the projector.

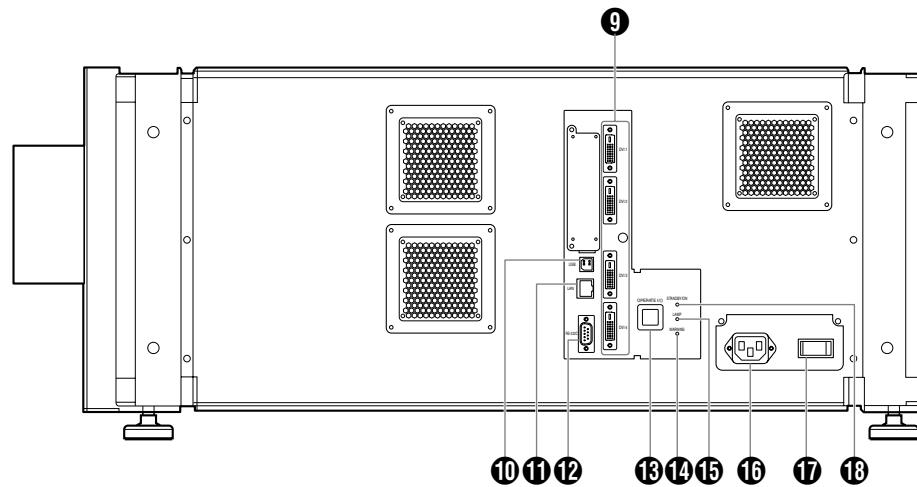
CAUTION:

- Do not block the vent holes with papers, cloth, or soft cushions. Doing so may cause heat to trap inside the projector and result in fire or malfunction.

8 Vent Hole

Warm air exits from the hole after cooling the lamp.

Right Side



9 [DVI 1 to 4] Terminal

This is an input terminal for video signals. Connect it to the video output terminal of the computer. (☞ Page 21, 23)

10 [USB] Terminal

Enables control of this projector by connecting it to a computer.

11 [LAN] Terminal

Enables control of this projector using a computer that is connected to the network.

12 [RS-232C] Terminal

This is the RS-232C interface-specific terminal. This projector can be controlled by connecting it to a computer using a RS-232C cable.

13 [OPERATE I/⏻] Button

Pressing this button for one second or longer when in the standby mode (main power supply is ON) turns on the power of the projector unit. Pressing it for one second or longer when the power is ON switches the projector to the standby mode.

14 [WARNING] Indicator

This indicator lights up in red when abnormality occurs on this projector. For details, refer to "Warnings Using Indicators". (☞ Page 54)

15 [LAMP] Indicator

This indicator lights up in yellow when the lamp time exceeds 1900 hours.

NOTE:

- For details on indicator displays during warnings, refer to "Warnings Using Indicators". (☞ Page 54)
- A lamp life message appears when the lamp time has exceeded 2000 hours. (☞ Page 53)

16 AC Power Input Terminal

Connect the supplied cord to this terminal.

17 Main Power Supply Switch

Use this to turn ON/OFF the main power supply of the projector unit.

18 [STANDBY/ON] Indicator

- | | |
|------------------|---|
| Lit (Red) | : When in the standby mode. |
| Lit (Green) | : When power is supplied. |
| Blinking (Red) | : When cooling down (cool down mode). (☞ Page 31) |
| Blinking (Green) | : When the projected image is temporarily hidden. (☞ Page 31) |

NOTE:

- For details on indicator displays during warnings, refer to "Warnings Using Indicators". (☞ Page 54)

Installation

Please read the following carefully when installing this unit.

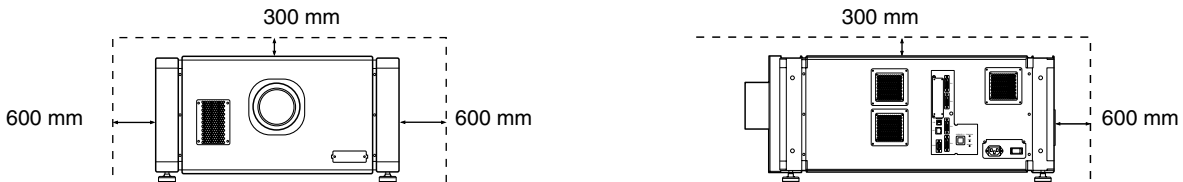
Optional Projection Lens

Mount the optional projection lens (☞ Page 60). For details on mounting the lens, please consult your authorized dealer.

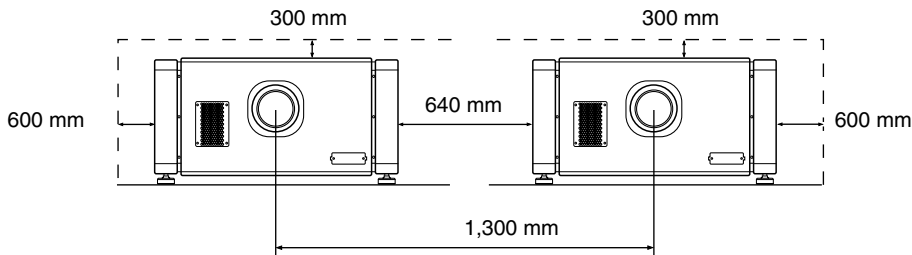
Minimum Space Required

Do not use a cover that may enclose this unit or block the air inlets/vent holes. Allow sufficient space around this unit. When this unit is enclosed in a space with dimensions as indicated below, ventilate accordingly so that the internal and external temperatures are the same.

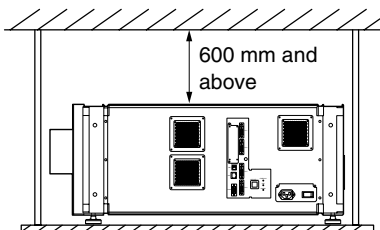
■ When using one set of projector



■ When using two sets of projectors side by side



■ When the projector is suspended



NOTE: _____

- To prevent the projector from falling or toppling, it is recommended that the holder be fastened to the unit using bolts.
- To mount the projector to the ceiling, mount a special shelf to the ceiling, followed by installing the unit on the shelf. For safety and maintenance purposes, equipment that eases adjustment to a suitable height for maintenance is required.

CAUTION: _____

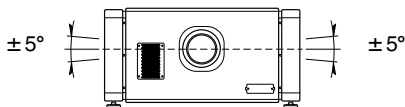
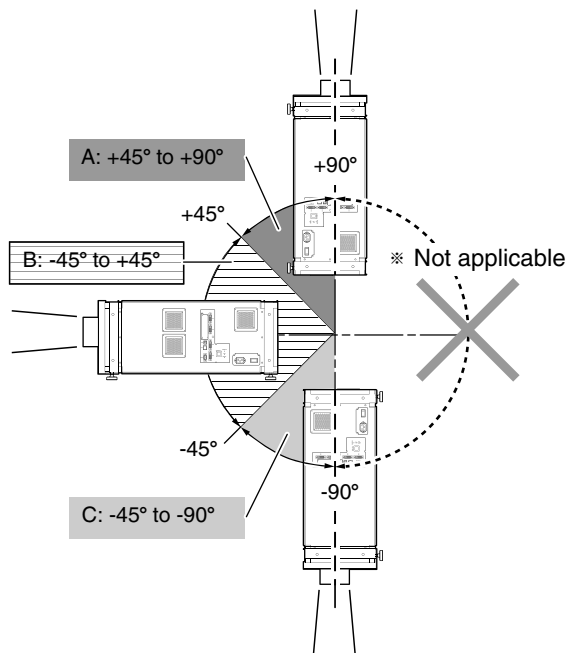
- Special expertise and techniques are required for mounting this unit. Be sure to ask your dealer or a specialist to perform mounting.

Projector Installation Angle

You can install this projector between $\pm 90^\circ$. Images will be properly displayed if the horizontal angle is between the range of $\pm 5^\circ$.

However, you have to configure using [Installation Style] (Page 48) for certain installation orientations.

- A: Upward installation (+45° to +90°)
- B: Horizontal installation (-45° to +45°)
- C: Downward installation (-45° to -90°)

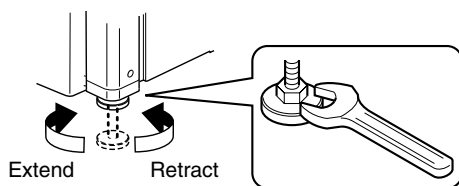


CAUTION:

- To ceiling-mount this unit, special expertise and skills are necessary. Make sure to request the authorized dealer or specialized work contractors for installation.
- The projector cannot be installed upside down.

Adjusting the Inclination

Adjust the horizontal angle of the projector. Lift the projector and turn the nut of the adjustable foot with a spanner in the direction indicated by the arrow to extend or retract the foot. The adjustable range is 20 mm.



Installing the Projector and Screen

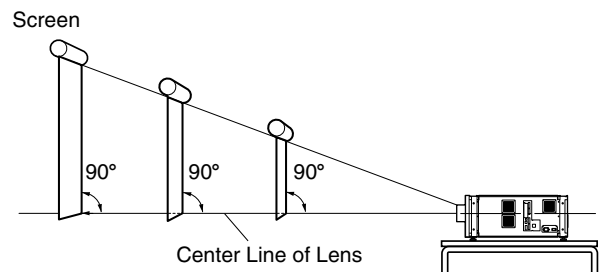
It is recommended that this projector be installed at right angle to the screen.

When a zoom lens (optional) is in use, you can make use of the lens shift feature of this projector to shift the projection screen vertically between 0% to $\pm 50\%$, and horizontally between 0% to $\pm 25\%$.

When a short focal length lens (optional) is in use, you can shift the projection screen position vertically between 0% to $\pm 15\%$, and horizontally between 0% to $\pm 5\%$. Below are some examples on the layout when a zoom lens is used.

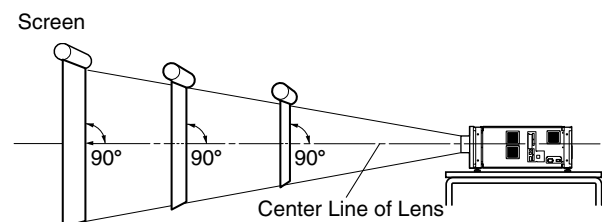
When shift amount in the upward direction is +50 %

Install the projector such that the lower end of the projection screen is at the same height as the center of the lens.



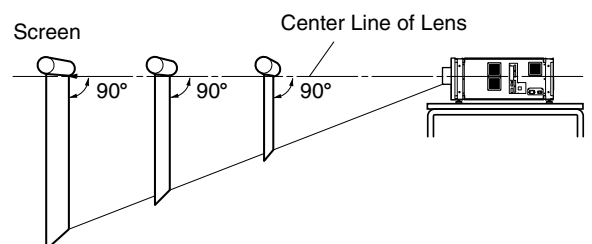
When shift amount in the upward/downward direction is 0 %

Install the projector such that the center of the projection screen is at the same height as the center of the lens.



When shift amount in the downward direction is -50 %

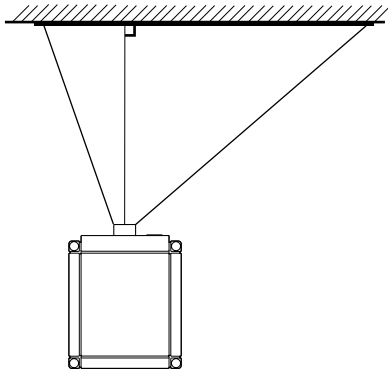
Install the projector such that the upper end of the projection screen is at the same height as the center of the lens.



Installing the Projector and Screen (Cont'd)

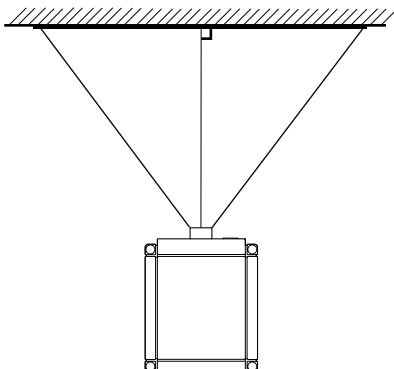
■ When shift amount in the right direction is +25 %

Install the projector such that the center of the lens is aligned with the 1/4 position from the left edge of the screen.



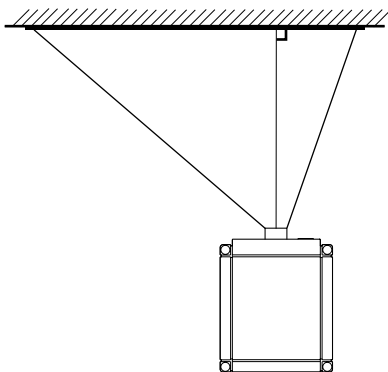
■ When shift amount in the left/right direction is 0 %

Install the projector such that the center of the lens is aligned with the center of the screen.



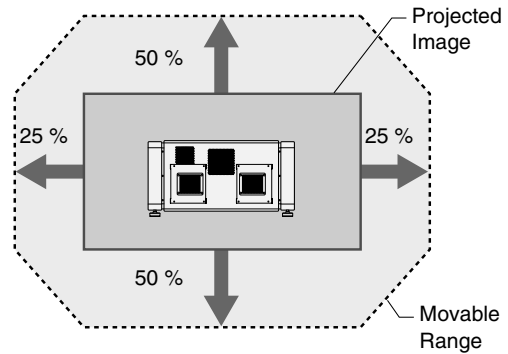
■ When shift amount in the left direction is -25 %

Install the projector such that the center of the lens is aligned with the 1/4 position from the right edge of the screen.

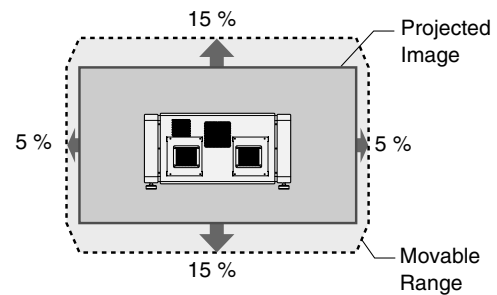


■ Movable Range of Projected Image

● GL-MS4015SZG Zoom lens



● GL-MS4011SG Short focal length lens



NOTE:

- When using the lens shift feature, do not exceed the range (shift amount) as shown above. If the shift amount exceeds the range as shown, shadows will appear on the projected image.

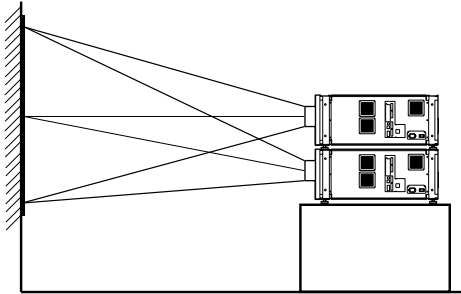
Lens Fixation Mechanism

A screw for securing the lens mechanism is attached in the factory shipment to prevent damage of the equipment during transportation. If the lens does not move horizontally or vertically when you operate "Shift" in the Lens menu, this could be because the screw has not been removed. When this occurs, please consult your authorized dealer.

■ **Overlaying projected images (when zoom lens is in use)**

● **Projecting images by stacking projectors**

The lens shift feature enables you to use up to three stacked projectors at the same time. Stacking the projectors enhances the brightness level, and helps to project images that are sufficiently bright even when the venue is relatively big or bright.



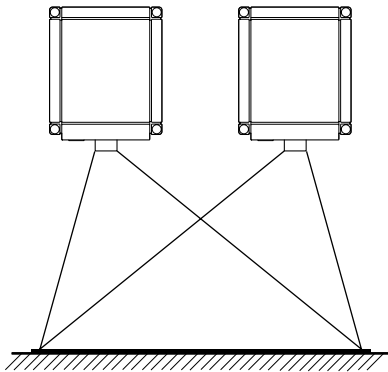
CAUTION: _____

- When the projectors are stacked together during use, ensure that the installation site is sufficiently strong and there is proper air cooling around the projectors. Take the necessary measures to prevent the projectors from toppling or falling off so as to ensure safety during emergency situations, such as earthquakes, and to prevent accidents from occurring. For details, please consult your authorized dealer.

● **Projecting images by arranging projectors side by side**

The lens shift feature enables you to use up to two projectors that are arranged side by side. Arranging two projectors side by side enhances the brightness level, and helps to project images that are sufficiently bright even when the venue is relatively big or bright.

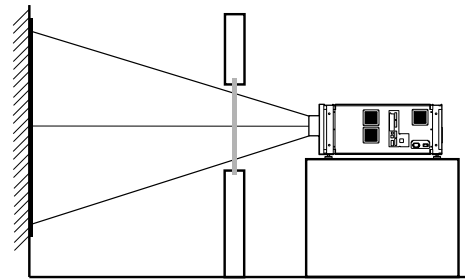
When projecting images by arranging the projectors side by side, adjust the shift amount of both projectors accordingly to superimpose the images.



CAUTION: _____

- When using the projectors by arranging them side by side, ensure that the installation site is sufficiently strong and there is proper air cooling around the projectors. For details, please consult your authorized dealer.

■ **When light passes through the glass of projection booth**



NOTE: _____

- When light passes through the glass, the quantity of light decreases. Make sure that the glass of the projection booth is not more than one piece.
- Do not use glass if possible.
- When projecting light on an inclined glass surface, adjust the glass angle as well as installation angle of this unit accordingly to prevent impact on the image due to diffuse reflection.

Installing the Projector and Screen (Cont'd)

Screen Size and Projection Distance

Adjust the distance from the lens to the screen to achieve your desired screen size.

■ **GL-MS4015SZG Zoom lens**

Projection Screen Size (Diagonal Length)	Image Width	Projection distance	
		Tele End	Wide End
80" (Approx. 2.03 m)	1.75 m	3.19 m	2.58 m
90" (Approx. 2.29 m)	1.97 m	3.60 m	2.91 m
100" (Approx. 2.54 m)	2.19 m	4.01 m	3.25 m
110" (Approx. 2.79 m)	2.41 m	4.42 m	3.58 m
120" (Approx. 3.05 m)	2.63 m	4.83 m	3.91 m
130" (Approx. 3.30 m)	2.85 m	5.24 m	4.25 m
140" (Approx. 3.56 m)	3.07 m	5.65 m	4.58 m
150" (Approx. 3.81 m)	3.29 m	6.06 m	4.91 m
160" (Approx. 4.06 m)	3.51 m	6.46 m	5.25 m
170" (Approx. 4.32 m)	3.73 m	6.87 m	5.58 m
180" (Approx. 4.57 m)	3.94 m	7.28 m	5.91 m
190" (Approx. 4.83 m)	4.16 m	7.69 m	6.24 m
200" (Approx. 5.08 m)	4.38 m	8.10 m	6.58 m
210" (Approx. 5.33 m)	4.60 m	8.51 m	6.91 m
220" (Approx. 5.59 m)	4.82 m	8.92 m	7.24 m
230" (Approx. 5.84 m)	5.04 m	9.33 m	7.58 m
240" (Approx. 6.10 m)	5.26 m	9.74 m	7.91 m
250" (Approx. 6.35 m)	5.48 m	10.15 m	8.24 m
260" (Approx. 6.60 m)	5.70 m	10.55 m	8.58 m
270" (Approx. 6.86 m)	5.92 m	10.96 m	8.91 m
280" (Approx. 7.11 m)	6.14 m	11.37 m	9.24 m
290" (Approx. 7.37 m)	6.36 m	11.78 m	9.57 m
300" (Approx. 7.62 m)	6.57 m	12.19 m	9.91 m

NOTE:

- The distance indicated in the table is an estimated value when an image with a resolution of 4096 × 2400 is projected. Please use them as reference during installation.

■ GL-MS4011SG Short focal length lens

Projection Screen Size (Diagonal Length)	Image Width	Projection distance
50" (Approx. 1.27 m)	1.10 m	1.16 m
60" (Approx. 1.52 m)	1.31 m	1.41 m
70" (Approx. 1.78 m)	1.53 m	1.66 m
80" (Approx. 2.03 m)	1.75 m	1.91 m
90" (Approx. 2.29 m)	1.97 m	2.16 m
100" (Approx. 2.54 m)	2.19 m	2.41 m
110" (Approx. 2.79 m)	2.41 m	2.66 m
120" (Approx. 3.05 m)	2.63 m	2.91 m
130" (Approx. 3.30 m)	2.85 m	3.17 m
140" (Approx. 3.56 m)	3.07 m	3.42 m
150" (Approx. 3.81 m)	3.29 m	3.67 m
160" (Approx. 4.06 m)	3.51 m	3.92 m
170" (Approx. 4.32 m)	3.73 m	4.17 m
180" (Approx. 4.57 m)	3.94 m	4.42 m
190" (Approx. 4.83 m)	4.16 m	4.67 m
200" (Approx. 5.08 m)	4.38 m	4.92 m
210" (Approx. 5.33 m)	4.60 m	5.17 m
220" (Approx. 5.59 m)	4.82 m	5.43 m
230" (Approx. 5.84 m)	5.04 m	5.68 m
240" (Approx. 6.10 m)	5.26 m	5.93 m
250" (Approx. 6.35 m)	5.48 m	6.18 m

NOTE:

- The distance indicated in the table is an estimated value when an image with a resolution of 4096 × 2400 is projected. Please use them as reference during installation.

Connecting Video Signals of the Computer

Connection During Single-Screen Mode Display

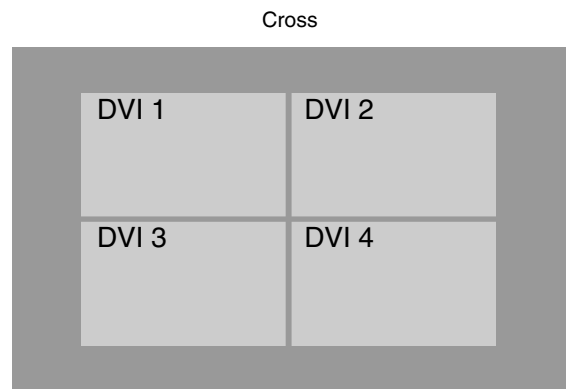
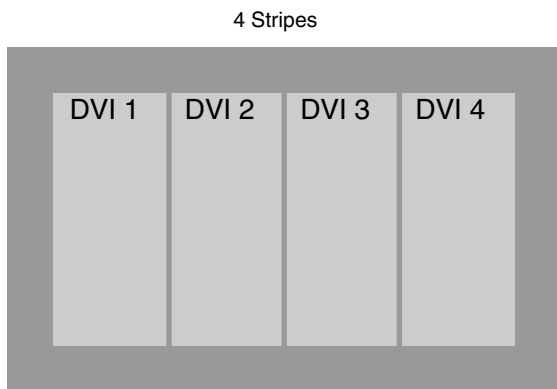
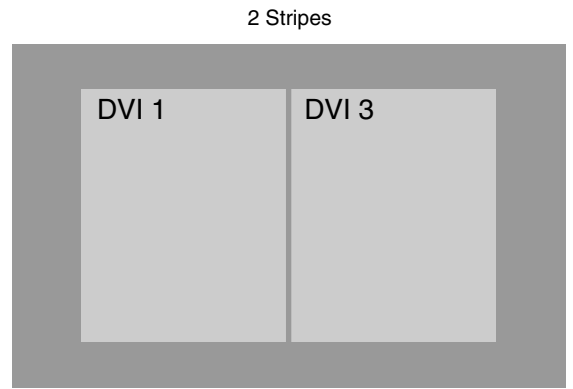
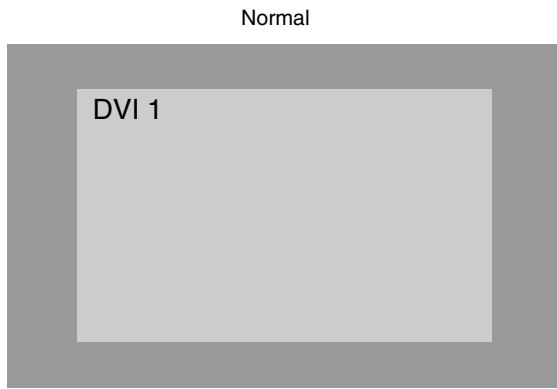
The single-screen mode displays signals (up to four signals) from a computer as a single video image. To select to the single-screen mode, set "Display Mode" in the Setting menu to "Single". (☞ Page 38)

■ Possible Input Signals and Projected Image

Computer			Projector Terminal for Connection	Output Status		Displayed Projector Image
Resolution	Channel	Link Status				
4096×2400	2ch	Dual	DVI 1, DVI 3	2 Stripes	2048×2400	4096×2400
	4ch	Single	DVI 1 to DVI 4	Cross 4 Stripes	2048×1200 1024×2400	
4096×2160	2ch	Dual	DVI 1, DVI 3	2 Stripes	2048×2160	4096×2160
	4ch	Single	DVI 1 to DVI 4	Cross 4 Stripes	2040×1080 1024×2160	
3840×2400	2ch	Dual	DVI 1, DVI 3	2 Stripes	1920×2400	3840×2400
	4ch	Single	DVI 1 to DVI 4	Cross 4 Stripes	1920×1200 960×2400	
3840×2160	2ch	Dual	DVI 1, DVI 3	2 Stripes	1920×2160	3840×2160
	4ch	Single	DVI 1 to DVI 4	Cross 4 Stripes	1920×1080 960×2160	
2048×1200	1ch	Single	DVI 1	Normal	2048×1200	4096×2400
2048×1080	1ch	Single	DVI 1	Normal	2048×1080	4096×2160
1920×1200	1ch	Single	DVI 1	Normal	1920×1200	3840×2400
1920×1080	1ch	Single	DVI 1	Normal	1920×1080	3840×2160
1600×1200	1ch	Single	DVI 1	Normal	1600×1200	3200×2400
1280×1024	1ch	Single	DVI 1	Normal	1280×1024	2560×2048
1024×768	1ch	Single	DVI 1	Normal	1024×768	2048×1536
800×600	1ch	Single	DVI 1	Normal	800×600	1600×1200
640×480	1ch	Single	DVI 1	Normal	640×480	1280×960

NOTE:

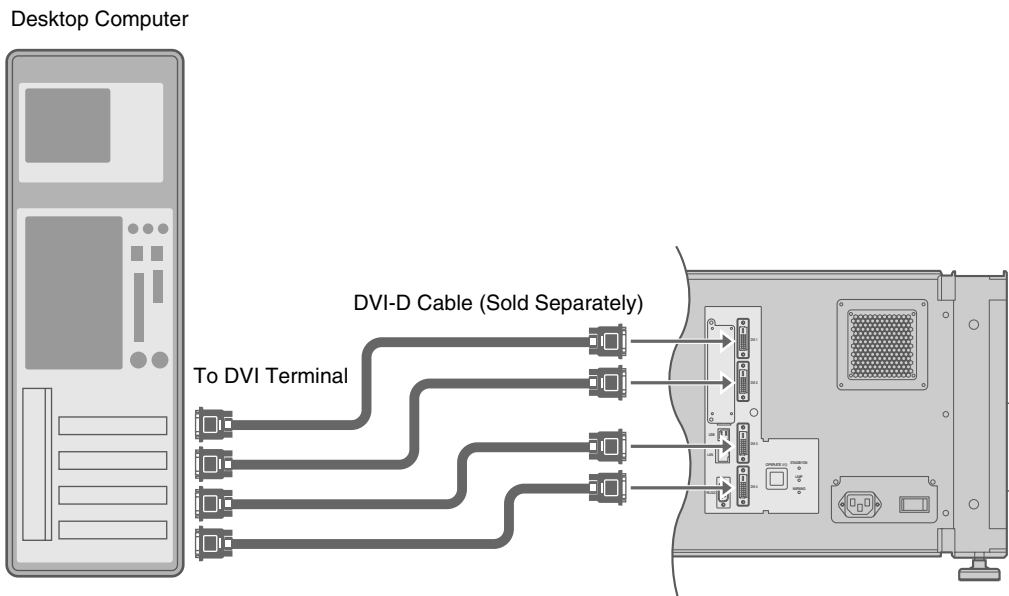
- This projector converts the frame rate to 60 Hz regardless of the synchronizing signal frequency at the computer's end.
- If the resolution of the PC is 2048×1200 or lower, images are displayed upon doubling the number of the vertical and horizontal pixels.



■ Connection During Single-Screen Mode Display

Below is the connection example for four-channel signals from the computer.

For two-channel signals from the computer, connect to the [DVI 1] and [DVI 3] terminals of this projector.



NOTE:

- Depending on your DVI-D cable, the signal may attenuate and the image become unstable.
- Use of DVI-D cables compliant with the DDWG standard is recommended.

Connecting Video Signals of the Computer (Cont'd)

Connection During Two-Screen/ Four-Screen Mode Display

The two-screen/four-screen mode enables simultaneous display of signals from two or four computers. To select the two-screen mode, set "Display Mode" in the Setting menu to "Double". To select the four-screen mode, set "Display Mode" to "Cross". (Page 38)

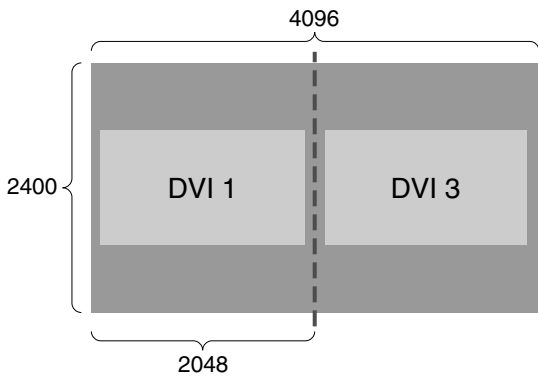
■ Possible Input Signals and Projected Image

Computer 1, Computer 2			Output Status	
Resolution	Channel	Link Status		
2048 × 1200	1ch	Single	Normal	2048 × 1200
2048 × 1080	1ch	Single	Normal	2048 × 1080
1920 × 1200	1ch	Single	Normal	1920 × 1200
1920 × 1080	1ch	Single	Normal	1920 × 1080
1600 × 1200	1ch	Single	Normal	1600 × 1200
1280 × 1024	1ch	Single	Normal	1280 × 1024
1024 × 768	1ch	Single	Normal	1024 × 768
800 × 600	1ch	Single	Normal	800 × 600
640 × 480	1ch	Single	Normal	640 × 480

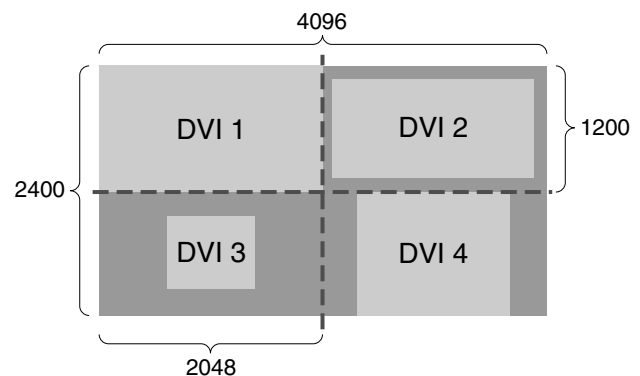
NOTE:

- This projector converts the frame rate to 60 Hz regardless of the synchronizing signal frequency at the computer's end.
- The respective signals are displayed at the center of the split screen.
- When in the two-screen mode, the screen appears blue (or black depending on the setting) when there is no input.

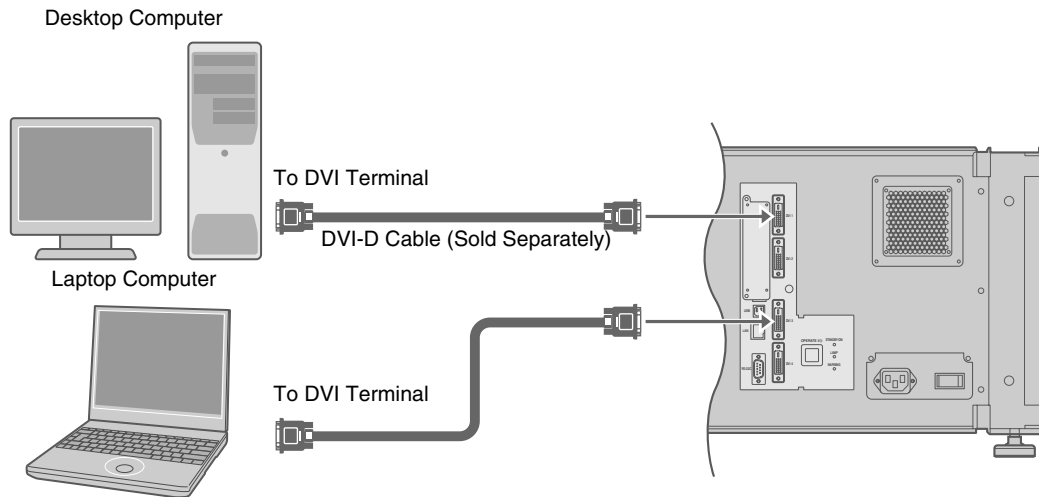
Two-Screen Mode
(Example) DVI 1: 1920 × 1080,
DVI 3: 1920 × 1080



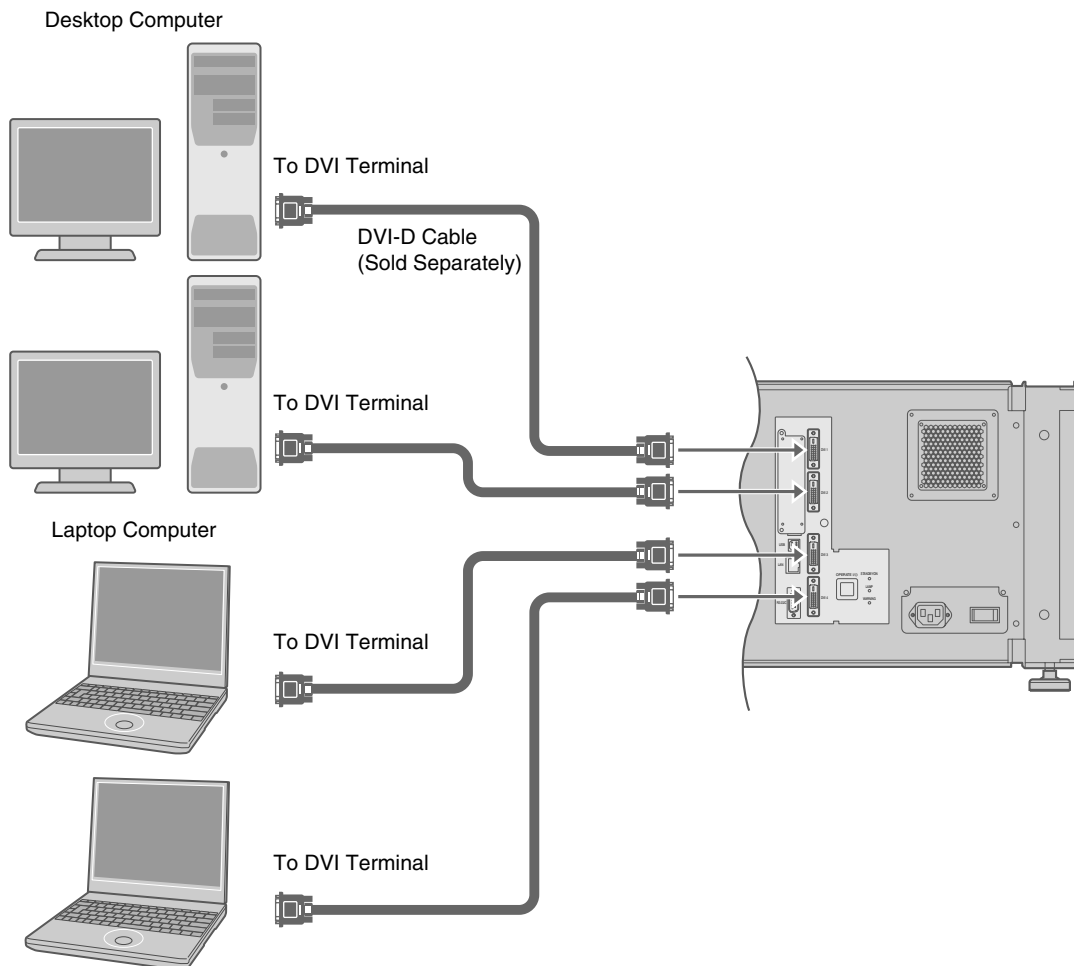
Four-Screen Mode
(Example) DVI 1: 2048 × 1200, DVI 2: 1920 × 1080,
DVI 3: 1024 × 768, DVI 4: 1600 × 1200



■ Connection Example During Two-Screen Mode



■ Connection Example During Four-Screen Mode



NOTE:

- Depending on your DVI-D cable, the signal may attenuate and the image become unstable.
 - Use of DVI-D cables compliant with the DDWG standard is recommended.
-

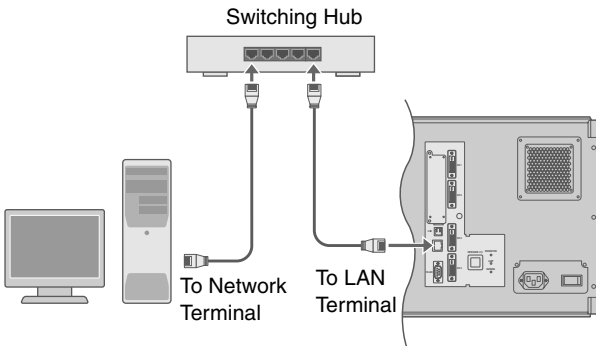
Connection Using a LAN Cable

Connect this projector, the computer for controlling this projector, and the switching hub using LAN cables, followed by configuring the network.

Connection Example

■ When assigning a static IP address

You can acquire the IP address from the controlling computer simply by configuring a network that consists of this projector, the controlling computer, and switching hub. Please refer to technical books on networks for details.



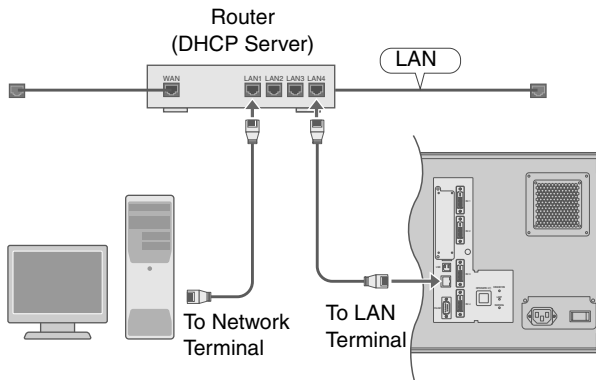
NOTE:

- Make use of Cat. 5 (equivalent or higher) straight 100Base-TX LAN cables.

CAUTION:

- When connecting this projector and the controlling computer for this projector using other network, be sure to consult the network administrator of the network in use or refer to technical books on networks.

■ When assigning IP address from the DHCP server



NOTE:

- Make use of Cat. 5 (equivalent or higher) 100Base-TX LAN cables.

Specifications of PC for Controlling this Projector

OS	Windows XP Professional SP2/ Windows XP Home Edition SP2
CPU	Pentium3 1 GHz or higher
Memory	256 MB and above

NOTE:

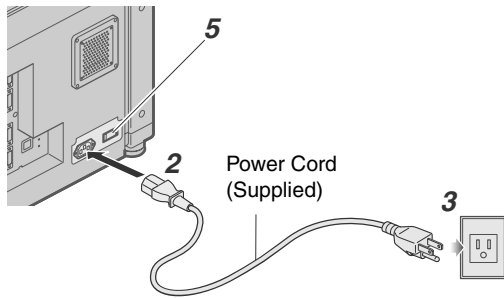
- Make use of Internet Explorer Ver. 6.0.
- Windows® is either registered trademark or trademark of Microsoft Corporation in the United States and/or other countries.

CAUTION:

- The PC specifications above are reference values for the application software to run smoothly, and are not intended to guarantee their operation. Note that the applications may not run smoothly depending on the condition of use of the respective users even when the system requirements are satisfied.

Turning On the Main Power

- 1 Check to ensure that this projector, computer, and switching hub are properly connected
- 2 Connect the power cord to the power input terminal of this projector

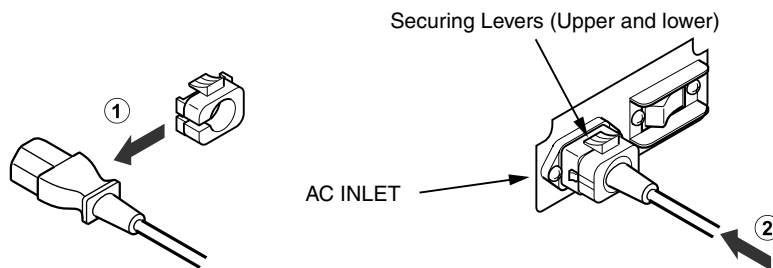


CAUTION:

- Do not connect the power cord when a lens (optional) is not attached.

You can secure the power cord to this projector.

- ① Attach the plug holder to the power cord.
- ② Insert the plug holder into the projector until the upper and lower securing levers are locked.



- 3 Insert plug into the power outlet on the wall
- 4 Remove the lens cap
- 5 Turn on the main power of the projector to set to [I]

- The [STANDBY/ON], [LAMP], and [WARNING] indicators light up for about 45 seconds, after which the [STANDBY/ON] indicator turns red.

NOTE:

- The default IP address of all DLA-SH7NL is "192.168.0.2". If multiple units of DLA-SH7NL are used on the same network, do not turn on the main power of more than one projector unit at the same time. Doing so will result in duplication of the IP address, and thereby preventing proper access.
- When using multiple units of DLA-SH7NL, turn on the main power of the second unit and configure accordingly only after configuration of the first unit is complete. Configure subsequent units using the same procedure.
- When duplication occurs in the IP address, make sure that only one unit of DLA-SH7NL is connected on the same network (turn off the main power of the other DLA-SH7NL units). Allow a time interval of at least 10 minutes before accessing. If access fails, turn off the power of all network equipments on the same network, followed by turning them on again.

IP Address Settings

Set the IP address for this projector. There are 2 methods to set the IP address.

- Assigning a static IP address
- Assigning an IP address from the DHCP Server

Assigning a static IP address

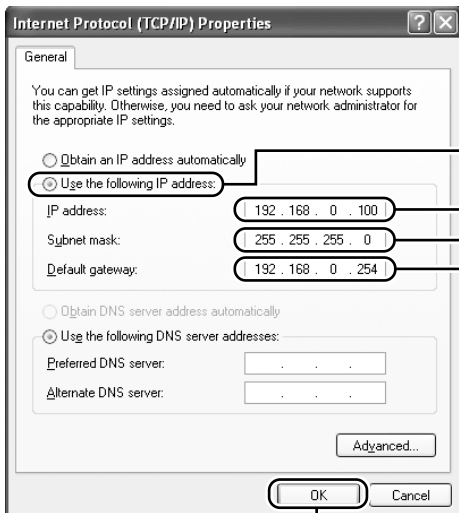
The “IP Address Setting” of this projector is set to “STATIC IP” (the DHCP client function is OFF) by default. Upon turning on the power, this projector starts running with the following IP address.

IP Address : 192.168.0.2
Subnet Mask : 255.255.255.0
Default Gateway : 192.168.0.254

IP address setting at the computer

Set the computer to an IP address that enables communication with this projector.

- 1 Click “Start” and select “Control Panel”
- 2 Double click “Network Connections”
- 3 Right-click on “Local Area” and select “Properties”
 - Check to ensure that the “Client for Microsoft Networks” and “Internet Protocol(TCP/IP)” check boxes are selected.
- 4 Select “Internet Protocol(TCP/IP)” and click “Properties”
- 5 Set the IP address



- 1 Select “Use the following IP address”
 - 2 Set “IP address”
(For example, use 192.168.0.100 when DLA-SH7NL is in its default settings)
- NOTE:**
- Make sure that you take note of the original IP address before altering.
 - When setting, ensure that a duplicate IP address is not used within the same network environment.
- 3 Set “Subnet mask”
Set to a value that is appropriate for the setting operation. Clarify with the network administrator if you have any queries. (Use 255.255.255.0 when the camera is in its default settings)
 - 4 When a “Default gateway” is present, make use of the IP address (e.g., 192.168.0.254)
 - 5 Click “OK”

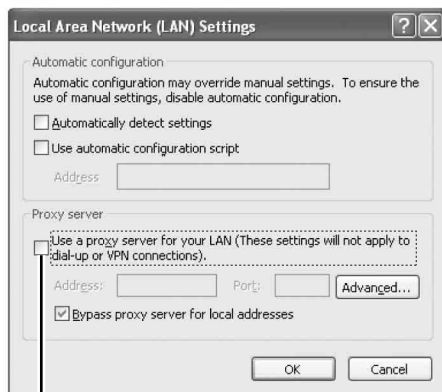
- 6 Click “OK” on the “Local Area Connection Properties” screen

■ Setting (Changing) the IP address of this projector

1 Launch the Internet Explorer on the computer

2 Check if the proxy has been set in the “LAN Setting” of the Internet Explorer

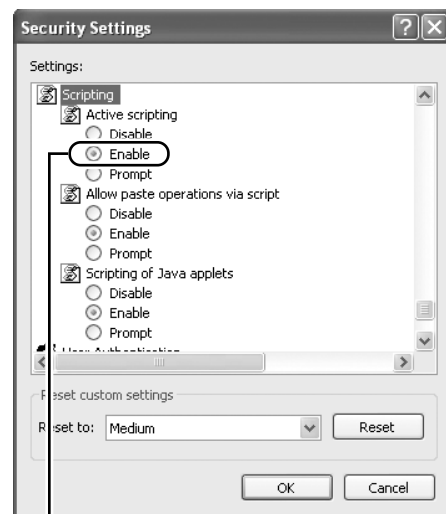
- 1 Click “Tools” and select “Internet Options”
- 2 Click “Connections” and click “LAN Setting”
- 3 Check if the check for “Use a proxy server for your LAN” has been selected
 - If the check mark has been selected, deselect it.



Deselect the check

3 Check if the “Active scripting” of the Internet Explorer is disabled

- 1 Click “Tools” and select “Internet Options”
- 2 Click in the order of “Security”→ “Trusted Sites”→ “Sites”
- 3 Deselect the check “Required server verification (https:) for all sites in this zone”
- 4 Enter “http://192.168.0.2” under “Add this web site to the zone” and click “Add”
- 5 Click “OK”
- 6 Select “Trusted Sites” and click “Custom Level”
- 7 Check if the check for “Active scripting” under “Scripting” has been selected
 - If the check mark has been deselected, select it.

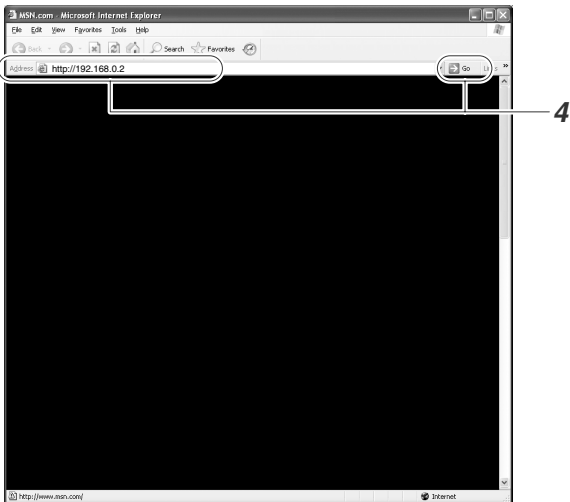


Select “Enable”

IP Address Settings (Cont'd)

Assigning a static IP address (Cont'd)

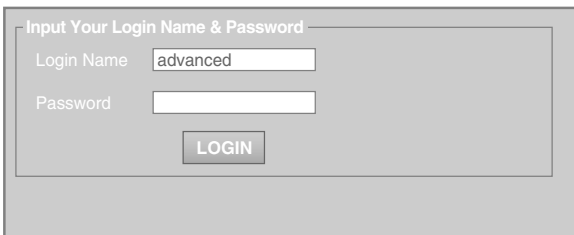
- 4** Enter "http://192.168.0.2" in the address field of the Internet Explorer, and click "Go"
- A login screen for this projector appears.



NOTE:

- When "LAN Setting" in Internet Explorer is set to "Use a proxy server for your LAN" it may not be possible to designate addresses directly. Change the proxy settings.
- If a "Security Warning" screen appears, click "OK" and continue.

5 Enter "advanced" in Login Name



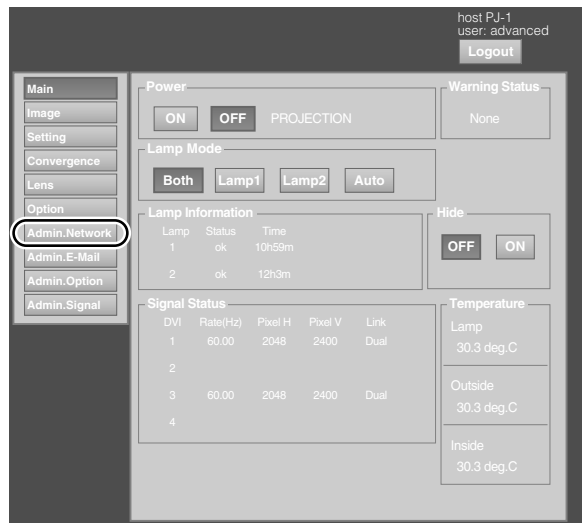
6 Click "LOGIN"

- The main menu for this projector appears.

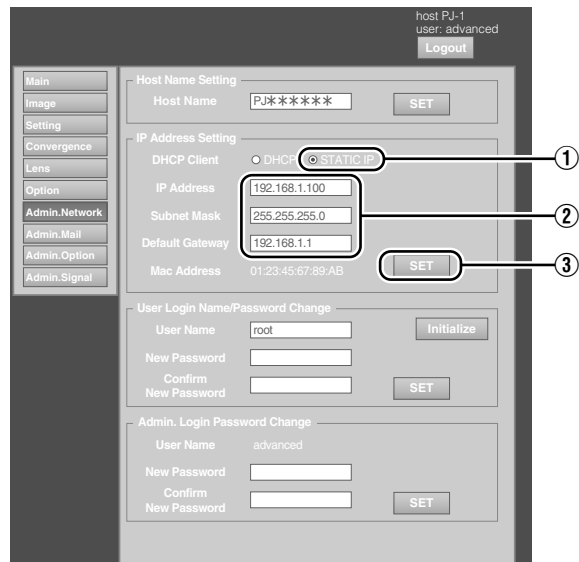
NOTE:

- You can alter the user name and password in the "Admin.Network" menu. Specify a user name and password of not more than eight single-byte alphanumeric characters. (Page 44)
- If you have forgotten the password, please consult your authorized dealer.

7 Click "Admin.Network" in the main menu



8 Set the IP address for this projector



- 1 Select "STATIC IP" in "DHCP Client"
- 2 Enter the values for "IP Address", "Subnet Mask" and "Default Gateway"
- 3 Click "SET"

NOTE:

- Access from computers may not be successful as this projector's IP address has been changed. Set and change the computer's IP address when accessing this projector.

Assigning IP Address from the DHCP Server

The IP address is automatically assigned by the DHCP server.

1 After connecting, turn on the main power

- Refer to Page 24 on the details of connection.
- Refer to Page 25 on procedures to turn on the main power.

2 Set the “DHCP Client” setting of this projector to “DHCP”

- The “DHCP Client” of this projector is set to “STATIC IP” (the DHCP client function is OFF) by default. When assigning an IP address from the DHCP server, access this projector from the computer to alter the settings. For details on the setting procedures, refer to “Setting (Changing) the IP address of this projector”. (Page 27)

NOTE:

- Please consult the network administrator on the IP address assigned to this projector.
- When “DHCP Client” is set to “DHCP”, and if the projector is started up in a LAN where a DHCP server does not exist, the projector will start up using the default IP address instead.

CAUTION:

- Configure the DHCP server such that the same IP address is assigned to the “Mac Address” of this projector by the DHCP server at all times. Connection may fail if the above setting is not performed.

Connecting this projector and the computer using a USB cable

You can connect this projector and the controlling computer using a USB cable.

- You need to install a driver in order to connect the projector and computer using a USB cable.

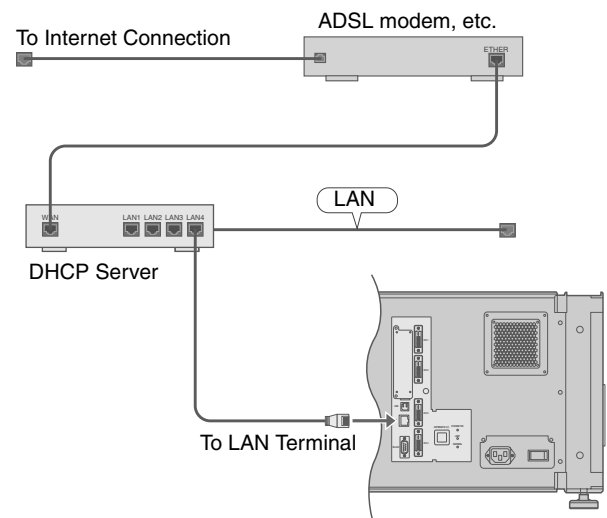
NOTE:

- For details on the installation of the USB driver, please consult your authorized dealer.

Using the Mail Delivery Feature

This feature enables delivery of mail (error message) to the preset e-mail address when error occurs inside this projector unit.

Connection Example (When DHCP Server is Used)



Projecting Image

If setting for this projector is not completed, refer to “User Settings Menu” (Page 33) upon turning on the power and configure the settings accordingly. Once the basic settings are configured, this projector can be used by simply performing the following operation procedures.

PREPARATION:

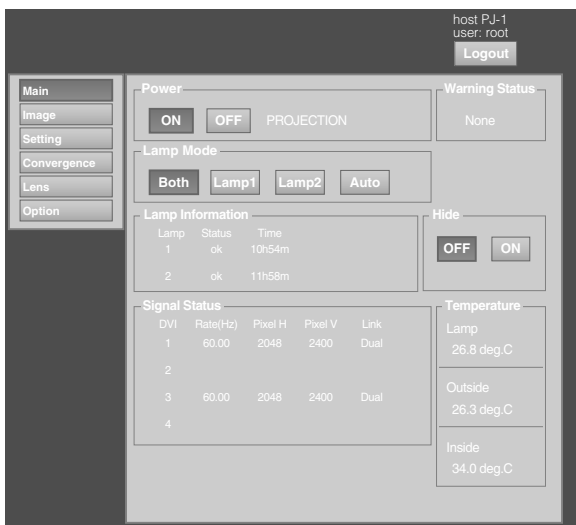
- Remove the lens cap.
- Connect this projector to the computer. (Page 21, 23)
- Connect the LAN cable. (Page 24)

1 Set this projector to the standby mode, and display the main menu

- Refer to “Turning On the Main Power” (Page 25), and steps 4 to 6 of “Assigning a static IP address” (Page 28).
- The [STANDBY/ON] indicator lights up in red.

2 Click the “ON” button under the “Power” item of the main menu to project the image

- The power of this projector turns on, and formatting is done taking a few minutes. A gray image will be displayed during formatting. The projected image appears once formatting ends.
- The [STANDBY/ON] indicator lights up in green.

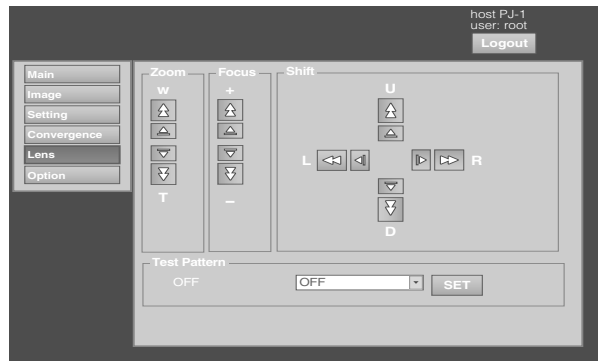


NOTE:

- You can also turn on the power by pressing the [OPERATE I/⏻] button on the projector unit for more than one second.
- The image may flicker for a few seconds immediately after projection starts. This is not a malfunction.
- After the lamp lights up, it takes about 1 minute or longer for the brightness of the video image on the screen to stabilize.

3 Adjust the zoom ratio (screen size) (when zoom lens is in use)

You can adjust the focus using the “Zoom” item of the Lens menu.



● **To enlarge the screen size:**

Press the “W” (Wide) end of “Zoom”

● **To reduce the screen size:**

Press the “T” (Tele) end of “Zoom”

NOTE:

- The screen size changes each time you click on the inner buttons (▲/▼). (Fine control)
The outer buttons (△/▽) change the screen size when they are depressed. (Coarse control)

4 Adjust the position of the projection screen

You can adjust the focus using the “Shift” item of the Lens menu.

● **To shift the image upward:**

Press the “U” end of “Shift”

● **To shift the image downward:**

Press the “D” end of “Shift”

● **To shift the image rightward:**

Press the “R” end of “Shift”

● **To shift the image leftward:**

Press the “L” end of “Shift”

NOTE:

- When a zoom lens is used, the adjustment range for lens shift is between 0 % to ±50 % in the vertical direction, and between 0 % to ±25 % in the horizontal direction (during single-screen display).
When a short focal length lens is used, the adjustment range for lens shift is between 0 % to ±15 % in the vertical direction, and between 0 % to ±5 % in the horizontal direction (during single-screen display). (Page 16)
- The position changes each time you click on the inner buttons (▲/▼). (Fine control)
The image shifts when the outer buttons (△/▽) are depressed. (Coarse control)
- The lens shift feature does not function if the lens mechanism is secured. (Page 16 “Lens Fixation Mechanism”)

5 Adjust the focus

You can adjust the focus using the “Focus” item of the **Lens** menu.

● To move the focus point closer:

Press the “+” (Near) end of “Focus”

● To move the focus point away:

Press the “-” (Far) end of “Focus”

NOTE:

- The focus changes each time you click on the inner buttons (▲/▼). (Fine control)
The outer buttons (△/▽) change the focus when they are depressed. (Coarse control)

6 Select a screen mode for projection

You can specify the screen mode using “Display Mode” of the Setting menu. (☞ Page 38)



NOTE:

- The projected image varies according to the mode of connection. (☞ Page 21, 23)

7 Click the “OFF” button under the “Power” item of the Main menu to end the projection

- The projector switches to the cool down mode, and the [STANDBY/ON] indicator appears blinking in red.
- A gray image will be displayed for a maximum duration of 2 minutes during the ending process only after several hours of image projection. The lamp starts cooling down thereafter.
- After exiting the cool down mode, the projector switches automatically to the standby mode, and the [STANDBY/ON] indicator lights up in red.
- You can also turn off the power by pressing the [OPERATE I/⏻] button on the projector unit for more than one second.

Cool down mode

The cool down mode is a function that cools down the lamp for an interval of about 180 seconds after projection ends (ending process).

This function is to prevent deformation and damage of the internal components of the projector due to heat from the overheated lamp. It also prevents lamp breakage and shortened lamp life.

- When the projector is in the cool down mode, the [STANDBY/ON] indicator appears blinking in red.
- Do not shut down the main power supply or unplug the power cord when in the cool down mode. Also, do not block the air inlets and vent holes. Doing so may shorten the lamp life and cause a malfunction.

8 Turn the main power at the rear of the projector unit to off [O]

- The [STANDBY/ON] indicator on the projector unit goes off.

CAUTION:

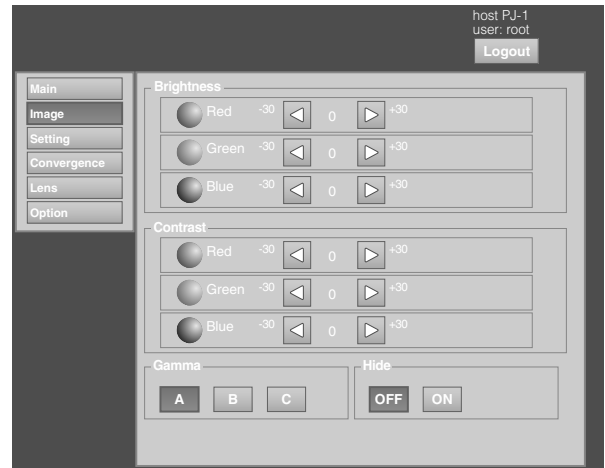
- Do not turn off the main power supply switch when in the cool down mode. Doing so may shorten the lamp life and cause a malfunction.
- Upon using, attach the lens cap to prevent soiling of the lens.
- When the projector is not to be used for a long time, disconnect the power plug.

Useful Features During Projection

■ Hiding the projected image temporarily

The projected image can be hidden by clicking the “ON” button under the “Hide” item of the Main menu or Image menu.

- When the image is not displayed, pressing “OFF” under the “Hide” item to display the hidden image.



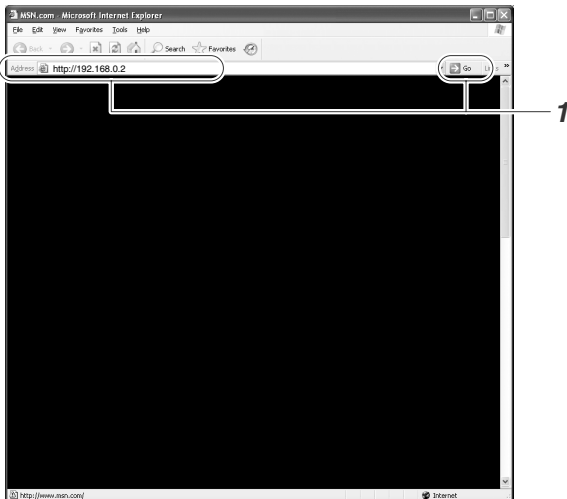
NOTE:

- When the image is hidden, the [STANDBY/ON] indicator appears blinking in green.

Displaying the Menu

1 Enter the IP address assigned in the address field of the Internet Explorer, and click “Go” (🔍 Page 28)

- Example: When IP address assigned is “192.168.0.2”, enter “http://192.168.0.2”.



NOTE:

- When “LAN Setting” in Internet Explorer is set to “Use a proxy server for your LAN” it may not be possible to designate addresses directly. Change the proxy settings.
- If a “Security Warning” screen appears, click “OK” and continue.

2 Enter the login name and the password in the “Login Name” and “Password” fields respectively

A screenshot of a login form. The form has a title "Input Your Login Name & Password". It contains two input fields: "Login Name" and "Password". Below the input fields is a button labeled "LOGIN".

NOTE:

- If you have forgotten the password, please consult your authorized dealer.

3 Click “LOGIN”

- The main menu for this projector appears.

NOTE:

- You can alter the user name and password in the “Admin.Network” menu. Specify a user name and password of not more than eight single-byte alphanumeric characters. (🔍 Page 44)

User Settings Menu

After installation and connection are complete, perform the necessary adjustment and setting. Operate the menus using the computer's browser to make adjustments and configure settings.

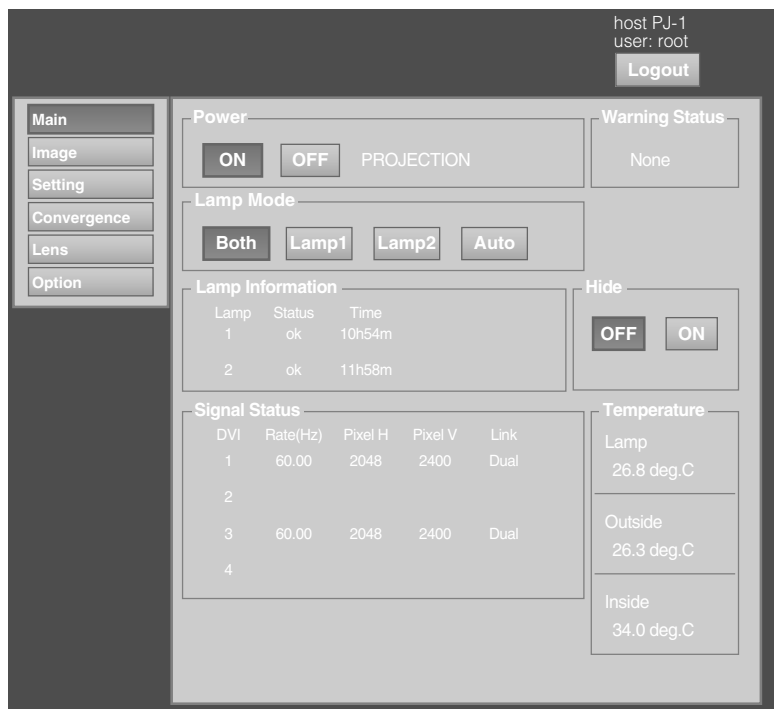
User Settings Menu Structure

Page Menu Name	Page Display Item	Simplified Description of Item
(1) Main	Power Warning Status Lamp Mode Lamp Information Signal Status Temperature Hide	Power ON/OFF operation Error code display Illumination mode setting Lamp information display Input signal information display Projector's interior temperature display Mute operation
(2) Image	Brightness Contrast Gamma Hide	Brightness adjustment Contrast adjustment Gamma setting Mute operation
(3) Setting	Input Level Display Mode	Input level setting Display method setting
(4) Convergence	Red Blue Test Pattern	Pixel position adjustment Pixel position adjustment Test pattern setting
(5) Lens	Zoom Focus Shift Test Pattern	Zoom adjustment Focus adjustment Image position adjustment Test pattern setting
(6) Option	Flip Lamp Power Back Color Message Display Test Pattern	Image inversion setting Lamp power setting Background color setting Message display setting Test pattern setting

User Settings Menu (Cont'd)

(1) Main Menu

This menu displays the ON/OFF status of the power supply and information on signals input to the projector.



NOTE:

- When the power of this unit is off (main power is on), the “Main”, “Image”, “Setting”, “Convergence”, “Lens” and “Option” menus will be grayed out and will not be selectable.

● indicates the factory default.

Item	Setting Value	Description
Power	ON OFF	<p>For turning on/off the lamp selected in “Lamp Mode”.</p> <p>ON : Turns on the lamp. OFF : Turns off the lamp.</p> <p>NOTE:</p> <ul style="list-style-type: none"> The following operating modes of the projector are displayed to the right of the OFF button. <ul style="list-style-type: none"> STANDBY : Standby (OFF) PROJECTION : Lamp Illuminated (ON) FAN ENABLE : FAN Enable (OFF→ON) LAMP ENABLE : LAMP Enable (OFF→ON) DEVICE ENABLE : Elemental Device Enable (OFF→ON) COOLING : Cooling (OFF) EMERGENCY : Error Occurred (Cooling not performed) EMERGENCY COOLING : Error Occurred (Cooling performed) When in the standby mode, clicking the ON button each time switches the mode in the sequence of STANDBY→DEVICE ENABLE→LAMP ENABLE→FAN ENABLE→PROJECTION. Clicking the OFF button when the power is on switches the projector to the cooling mode. The power of the projector cannot be turned on during the cooling process (180 seconds).
Warning Status	—	<p>Displays the latest error number.</p> <p>NOTE:</p> <ul style="list-style-type: none"> For details on the error code and description, please refer to “Warning Status”. (Page 55) “None” is displayed when no error is detected.
Lamp Mode	● Both Lamp1 Lamp2 Auto	<p>For selecting the lamp to turn on during power on.</p> <p>Both : Selects both lamps. Lamp1 : Selects only Lamp 1. Lamp2 : Selects only Lamp 2. Auto : Selects only the lamp with the least lamp time. However, “Lamp1” is selected when both lamps have the same lamp time.</p> <p>NOTE:</p> <ul style="list-style-type: none"> This setting is only available in the “STANDBY”, “COOLING”, “EMERGENCY” and “EMERGENCY COOLING” operating modes.
Lamp Information	—	<p>For displaying the information on Lamp 1 and 2.</p> <p>Status</p> <p>ON : Lamp illuminated OFF : Lamp off Failed : The lamp fails to light up even though the operation of illuminating the lamp is performed.</p> <p>Time : Lamp time (in minutes)</p>

User Settings Menu (Cont'd)

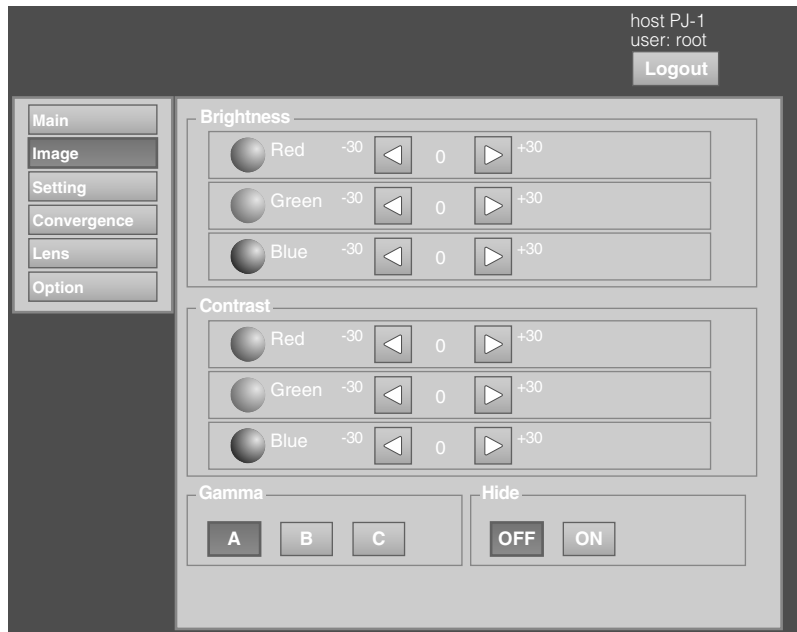
(1) Main Menu (Cont'd)

● indicates the factory default.

Item	Setting Value	Description
Signal Status DVI Rate(Hz) Pixel H Pixel V Link	— — — — —	Displays information on the input signals. DVI : Displays the DVI input terminal number. Rate(Hz) : Displays the vertical frequency. Pixel H : Displays the horizontal resolution. Pixel V : Displays the vertical resolution. Link : Displays the link status of the DVI terminal. NOTE: ● This item is not displayed when there is no signal input. ● The text color of Rate (vertical frequency) turns red in the case of interlaced signal. And the text turns white in the case of progressive signal.
Temperature Lamp Outside Inside	— — —	Displays the interior temperature of the projector. Lamp : Lamp's ambient temperature Outside : External temperature Inside : Internal temperature NOTE: ● The color of the text turns red if the temperature becomes abnormal. ● The text appears white at normal temperature.
Hide	● OFF ON	Enables temporary hiding of the image. OFF : Do not hide image. ON : Hide image. NOTE: ● When the image is hidden, the "STANDBY/ON" indicator appears blinking in green.

(2) Image Menu

This menu is used for adjusting the picture quality.



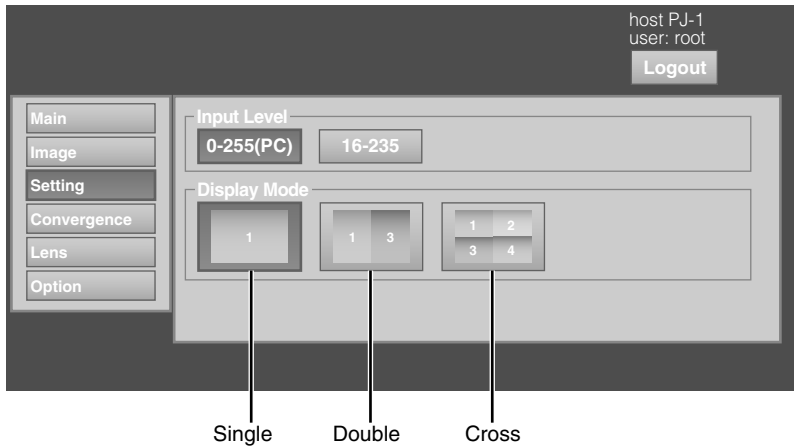
● indicates the factory default.

Item	Setting Value	Description
Brightness		
Red	-30 to +30 (Default Value: 0)	For adjusting the brightness of the red, green, and blue colors.
Green	-30 to +30 (Default Value: 0)	
Blue	-30 to +30 (Default Value: 0)	
Contrast		
Red	-30 to +30 (Default Value: 0)	For adjusting the contrast of the red, green, and blue colors.
Green	-30 to +30 (Default Value: 0)	
Blue	-30 to +30 (Default Value: 0)	
Gamma	● A B C	For specifying the tone characteristics of the image. A : Sets gamma to "2.2". B : Sets gamma to "1.8". C : Sets gamma to "2.6".
Hide	● OFF ON	Enables temporary hiding of the image. OFF: Do not hide image. ON : Hide image. NOTE: ● When the image is hidden, the "STANDBY/ON" indicator appears blinking in green.

User Settings Menu (Cont'd)

(3) Setting Menu

This menu is used for specifying the input level of the terminal and the display mode.

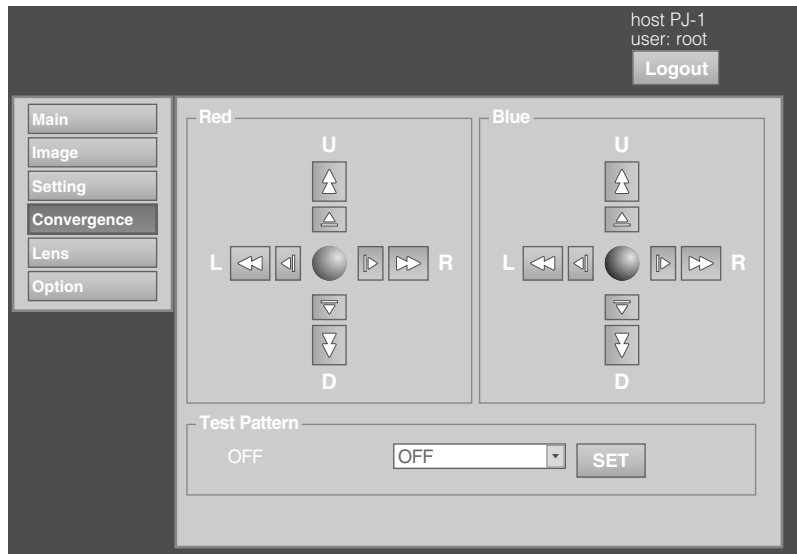


● indicates the factory default.

Item	Setting Value	Description
Input Level	<ul style="list-style-type: none"> ● 0-255(PC) 16-235 	For specifying the input level of the video signals. 0-255(PC) : Set to this value under normal circumstances. (Signal level 0 to 255) 16-235 : For specifying when the signal level is between 16 and 235.
Display Mode	<ul style="list-style-type: none"> ● Single Double Cross 	For specifying the display mode of the projection screen. Single : Displays input signals on a single screen. Double : Displays two different input signals on two screens. The left screen displays images of the DVI 1 terminal, and the right screen displays images of the DVI 3 terminal. Cross : Displays four different input signals on four screens. The top left screen displays images of the DVI 1 terminal, the top right screen displays images of the DVI 2 terminal, the bottom left screen displays images of the DVI 3 terminal, while the bottom right screen displays images of the DVI 4 terminal. NOTE: <ul style="list-style-type: none"> ● Please refer to “Connecting Video Signals of the Computer” for details. (Page 20 to 23)

(4) Convergence Menu

This menu is used for correcting color shifts in the optical system.



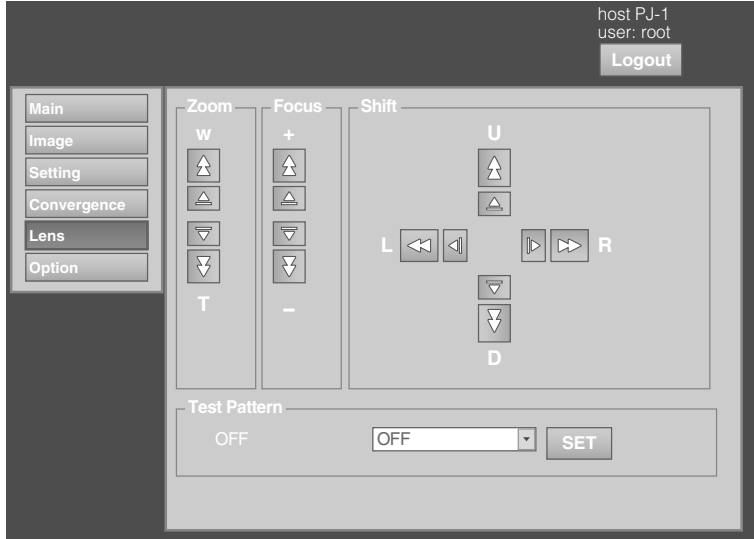
● indicates the factory default.

Item	Setting Value	Description
Red	—	For adjusting the horizontal/vertical position of red and blue colors on the image.
Blue	—	<p>NOTE:</p> <ul style="list-style-type: none"> ● The green color value is fixed. ● The outer buttons are used for adjustment in units of 1/4 pixels, and the inner buttons in units of 1/10 pixels. ● When the image is flipped horizontally or vertically, the horizontal and vertical directions are reversed. ● Use images with a clear outline (such as Color Cross Hatch patterns available in this projector) for adjustment. <p>CAUTION:</p> <ul style="list-style-type: none"> ● When the movement exceeds the limit, the color of the button turns red.
Test Pattern	<p>● OFF</p> <p>Color Bars</p> <p>Color Cross Hatch</p> <p>Cross Hatch</p> <p>Staircase</p> <p>Ramp</p> <p>Flat</p>	<p>For projecting the test pattern.</p> <p>OFF : Do not display the test pattern.</p> <p>Color Bars : Displays the color bar.</p> <p>Color Cross Hatch : Displays the color cross hatch pattern.</p> <p>Cross Hatch : Displays the cross hatch pattern.</p> <p>Staircase : Displays the staircase (white color).</p> <p>Ramp : Displays the ramp pattern (white color).</p> <p>Flat : Displays the flat pattern (white color).</p>

User Settings Menu (Cont'd)

(5) Lens Menu

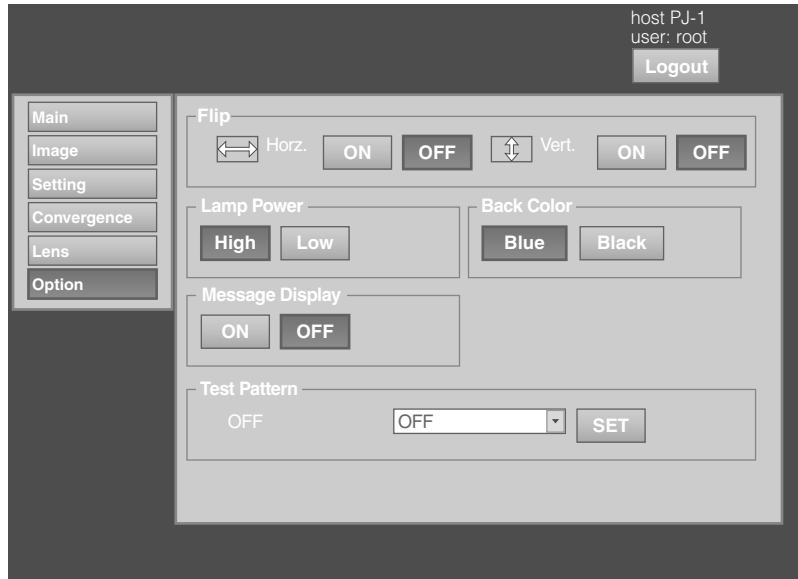
This menu is used for adjusting the projection lens.



Item	Setting Value	Description
Zoom	—	For adjusting the zoom ratio (screen size). NOTE: _____ <ul style="list-style-type: none"> The zoom position changes each time the inner button is clicked. The zoom position changes when the outer button is depressed. CAUTION: _____ <ul style="list-style-type: none"> Due to backlash, the response may not be immediate.
Focus	—	For adjusting the focus position. NOTE: _____ <ul style="list-style-type: none"> The focus position changes each time the inner button is clicked. The focus position changes when the outer button is depressed. CAUTION: _____ <ul style="list-style-type: none"> Due to backlash, the response may not be immediate.
Shift	—	For adjusting the horizontal and vertical positions of the projection screen. NOTE: _____ <ul style="list-style-type: none"> The shift position changes each time the inner button is clicked. The shift position changes when the outer button is depressed. CAUTION: _____ <ul style="list-style-type: none"> When the movement exceeds the limit, the color of the button turns red. Due to backlash, the response may not be immediate.
Test Pattern	—	For projecting the test pattern. NOTE: _____ <ul style="list-style-type: none"> Same as “Test Pattern” in the Convergence Menu. (Page 39)

(6) Option Menu

This menu is used for specifying settings for the method of screen display, lamp brightness and others.



● indicates the factory default.

Item	Setting Value	Description
Flip Horz. Vert.	ON ● OFF ON ● OFF	For specifying settings if images are vertically or horizontally flipped when they are projected from the opposite side of the screen, or when mirrors are used for projection. ON : Flips image horizontally. OFF : Do not flip image horizontally. ON : Flips image vertically. OFF : Do not flip image vertically.
Lamp Power	● High Low	For switching the brightness of the lamp between Low and High.
Back Color	● Blue Black	For specifying the background color during message display or when projection fails, such as when there is no input signal. Blue : Sets the screen to blue color. Black : Sets the screen to black color.
Message Display	ON ● OFF	For specifying whether to display the message. ON : Displays message. OFF : Do not display the test pattern. CAUTION: ● When "OFF" is set, the "No Input", "Out of Range" and "Lamp Time Over" messages will not be displayed on the screen.
Test Pattern	—	For projecting the test pattern. NOTE: ● Same as "Test Pattern" in the Convergence Menu. (Page 39)

Memo :

Administrator Settings Menu

After installation and connection are complete, perform the necessary adjustment and setting. Operate the menus using the computer's browser to make adjustments and configure settings.

Administrator Settings Menu Structure

For details on page menu (1) to (6), refer to "User Settings Menu" (Page 33 to 41).

Page Menu Name	Page Display Item	Simplified Description of Item
(1) Main	Power Warning Status Lamp Mode Lamp Information Signal Status Temperature Hide	Power ON/OFF operation Error code display Illumination mode setting Lamp information display Input signal information display Projector's interior temperature display Mute operation
(2) Image	Brightness Contrast Gamma Hide	Brightness adjustment Contrast adjustment Gamma setting Mute operation
(3) Setting	Input Level Display Mode	Input level setting Display method setting
(4) Convergence	Red Blue Test Pattern	Pixel position adjustment Pixel position adjustment Test pattern setting
(5) Lens	Zoom Focus Shift Test Pattern	Zoom adjustment Focus adjustment Image position adjustment Test pattern setting
(6) Option	Flip Lamp Power Back Color Message Display Test Pattern	Image inversion setting Lamp power setting Background color setting Message display setting Test pattern setting
(7) Admin.Network	Host Name Setting IP Address Setting User Login Password Change Admin. Login Password Change	Host name setting IP address setting User login setting Administrator login setting
(8) Admin.E-mail	E-Mail Setting Test Mail	E-mail setting Test e-mail setting
(9) Admin.Option	Color Depth Frame Lock Mecha. Shutter High Altitude Lamp Time Reset	Color balance setting Frame synchronization setting Mechanical shutter setting High altitude mode setting Resetting lamp time
(10) Admin.Signal	Force Signal Display Mode Signal Status EDID	Input/output signal setting Display method setting Input signal information display EDID information rewrite

Administrator Settings Menu (Cont'd)

(7) Admin.Network Menu

For configuring the network settings.

The screenshot shows the 'Admin.Network' menu with the following sections:

- Host Name Setting:** Host Name field contains 'PJ*****' with a 'SET' button.
- IP Address Setting:**
 - DHCP Client: Radio buttons for 'DHCP' and 'STATIC IP' (selected).
 - IP Address: Field contains '192.168.1.100'.
 - Subnet Mask: Field contains '255.255.255.0'.
 - Default Gateway: Field contains '192.168.1.1'.
 - Mac Address: Field contains '01:23:45:67:89:AB' with a 'SET' button.
- User Login Name/Password Change:**
 - User Name: Field contains 'root' with an 'Initialize' button.
 - New Password: Empty field.
 - Confirm New Password: Empty field with a 'SET' button.
- Admin. Login Password Change:**
 - User Name: Field contains 'advanced'.
 - New Password: Empty field.
 - Confirm New Password: Empty field with a 'SET' button.

● indicates the factory default.

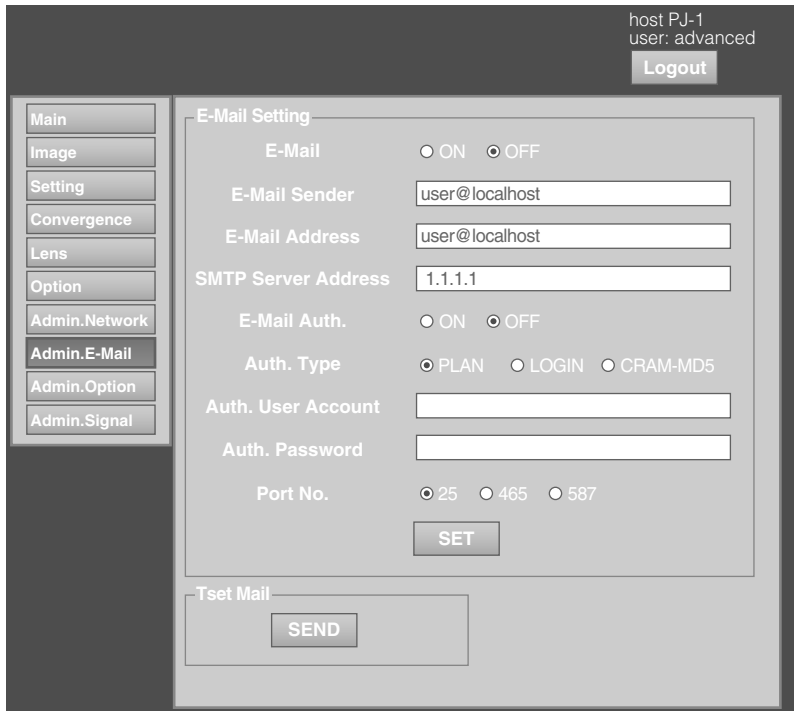
Item	Setting Value	Description
Host Name Setting Host Name	— (Default Value: PJ*****)	For specifying the host name. NOTE: <ul style="list-style-type: none"> You can change it to a random name. You can input up to 8 characters using single-byte alphanumeric characters and “ - ”. “*****” of the default value displays the lower 3 bytes of the MAC address of this projector.
IP Address Setting DHCP Client IP Address Subnet Mask Default Gateway Mac Address	DHCP ● STATIC IP (Default Value: 192.168.0.2) (Default Value: 255.255.255.0) (Default Value: 192.168.0.254) —	For configuring the network settings. DHCP : Select this to acquire the IP address from the DHCP server automatically. STATIC IP : Select this to configure the IP address manually. --- IP Address : Specify the IP address. --- Subnet Mask : Specify the subnet mask. --- Default Gateway : Specify the default gateway. Mac Address : Displays the MAC address. (Cannot be specified)

Item	Setting Value	Description
User Login Name/ Password Change User Name New Password Confirm New Password Initialize	root — — —	For changing the login name and password. User Name : For changing the login name. New Password : For changing the login password. Confirm New Password : Re-enter the new password. (For confirmation) Initialize : For resetting the username/password. <hr/> NOTE: <ul style="list-style-type: none"> ● You can change it to a random name. You can input up to 8 characters using single-byte alphanumeric characters and “ – ”. ● If you have forgotten the password, please consult any nearby JVC servicing center.
Admin. Login Password Change User Name New Password Confirm New Password Initialize	advanced — — —	For changing the administrator's password. User Name : Cannot be changed. (fixed) New Password : For changing the login password. Confirm New Password : Re-enter the new password. (For confirmation) Initialize : For resetting the password. <hr/> NOTE: <ul style="list-style-type: none"> ● You can change it to a random name. You can input up to 8 characters using single-byte alphanumeric characters and “ – ”. ● If you have forgotten the password, please consult your authorized dealer.

Administrator Settings Menu (Cont'd)

(8) Admin.E-mail Menu

This menu is for configuring the mail settings, which sends out an error message to the computer of the preset address when an abnormality occurs within this projector.



■ Error message sent from this projector

(Example) When error occurs at the DD-RB board

Sender

***** (setting value for "E-Mail Sender")

Mail title

4KPJU2 report mail

Message

Error Code	32 "Trouble with DD-RB circuit board."
System Time	106 h 57 m
Lamp1 Time	41h 59 m
Lamp2 Time	41h 31 m
Lamp Temp.	42 deg.C
Inside Temp.	40 deg.C
Outside Temp.	24 deg.C

NOTE:

- Refer to the code in the "Warning Status" for the error code. (Page 55)

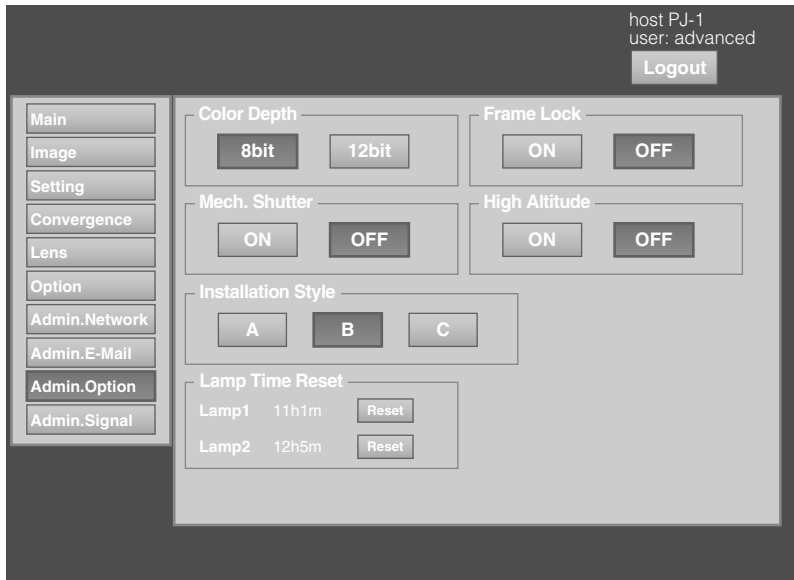
● indicates the factory default.

Item	Setting Value	Description
E-Mail Setting		For configuring the e-mail feature.
E-Mail	ON ● OFF	ON : Use the mail feature. OFF : Do not use the mail feature.
E-Mail Sender	— (Default Value: lower 3 bytes of the MAC address)	For specifying the destination e-mail address of this projector.
E-Mail Address	— (Default Value: user@localhost)	For specifying the destination e-mail address. NOTE: ● Specify an address up to a maximum of 64 characters. ● Make use of single-byte alphanumeric characters and “_” “.” “_” “@”.
SMTP Server Address	— (Default Value: 1.1.1.1)	For specifying the address of the outgoing mail server (SMTP). NOTE: ● Specify an address up to a maximum of 15 characters. ● Make use of numbers and “.”.
E-Mail Auth.	ON ● OFF	ON : Enable the e-mail authentication feature. OFF : Disable the e-mail authentication feature.
Auth. Type	● PLAIN LOGIN CRAM-MD5	For configuring the e-mail authentication type. PLAIN : Set e-mail authentication to “PLAIN”. LOGIN : Set e-mail authentication to “LOGIN”. CRAM-MD5 : Set e-mail authentication to “CRAM-MD5”.
Auth. User Account	—	For configuring the account name during e-mail authentication. NOTE: ● Specify an address up to a maximum of 31 characters. ● Make use of single-byte alphanumeric characters and “-”.
Auth. Password	—	For configuring the password during e-mail authentication. NOTE: ● Specify an address up to a maximum of 31 characters. ● Make use of single-byte alphanumeric characters and “-”.
Port No.	● 25 465 587	For configuring the SMTP server port number when using the e-mail authentication feature.
Set	—	The details of the configuration will be saved.
Test Mail	—	When the “SEND” button is clicked, the test mail with the contents configured in the E-Mail Setting will be sent.

Administrator Settings Menu (Cont'd)

(9) Admin.Option Menu

This menu is used for specifying settings including image and option, and for resetting the lamp.

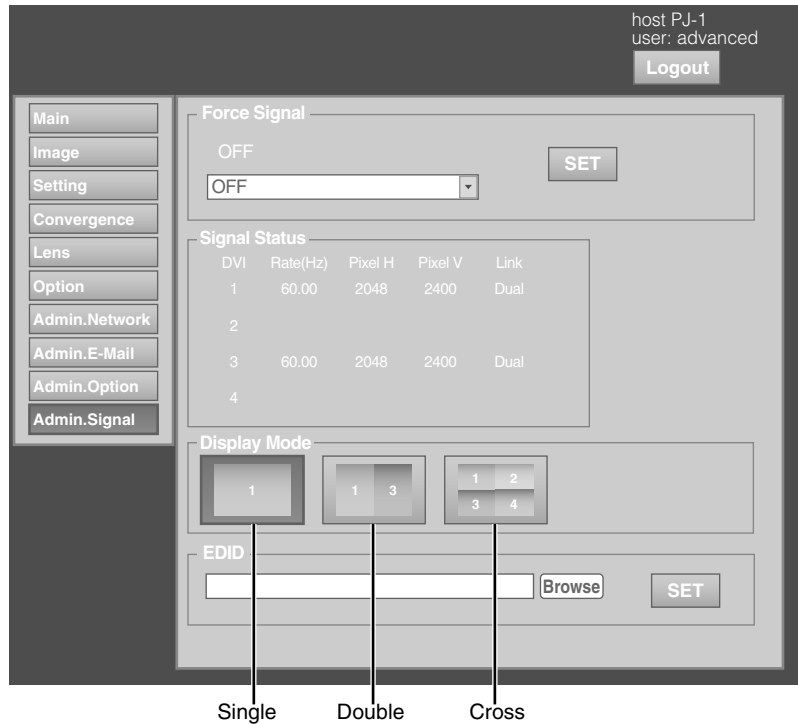


● indicates the factory default.

Item	Setting Value	Description
Color Depth	● 8bit 12bit	For configuring the color balance.
Frame Lock	● ON OFF	For configuring the frame synchronization of each DVI input.
Mech. Shutter	ON ● OFF	For configuring to ON/OFF the Mech. Shutter (model number: PK-VS4MSG, optional, sold separately). Click ON to operate the Mecha Shutter.
High Altitude	ON ● OFF	Configure to ON when using at high altitude (above 1,500 m).
Installation Style	A ● B C	For configuring the installation method (orientation mode) of the projector. A : Orientation mode A (upward installation) B : Orientation mode B (horizontal installation/normal mode) C : Orientation mode C (downward installation)
Lamp Time Reset Lamp1 Lamp2	—	For resetting the lamp time of Lamp 1 and 2.

(10) Admin.Signal Menu

This menu is for configuring settings such as display format, and for rewriting EDID.



● indicates the factory default.

Item	Setting Value	Description
Force Signal	● OFF	<p>For forcibly configuring the output signal. Make use of this setting when there is no display due to configuration changes at the input source.</p> <p>NOTE:</p> <ul style="list-style-type: none"> Some portions of the image may not be displayed and the image may become noisy. <hr/> <p>OFF : Turns off the display by force.</p> <p>4096 × 2400, None, Dual : Displays a normal screen using dual link.</p> <p>4096 × 2400, None, Single : Displays a normal screen using single link.</p> <p>2048 × 2400, 2Stripe, Dual : Displays a 2 stripes screen using dual link.</p> <p>2048 × 2400, 2Stripe, Single : Displays a 2 stripes screen using single link.</p> <p>2048 × 1200, Cross, Dual : Displays a cross screen using dual link.</p> <p>2048 × 1200, Cross, Single : Displays a cross screen using single link.</p> <p>1024 × 2400, 4Stripe, Dual : Displays a 4 stripes screen using dual link.</p> <p>1024 × 2400, 4Stripe, Single : Displays a 4 stripes screen using single link.</p>
	4096 × 2400, None, Dual	
	4096 × 2400, None, Single	
	2048 × 2400, 2Stripe, Dual	
	2048 × 2400, 2Stripe, Single	
	2048 × 1200, Cross, Dual	
	2048 × 1200, Cross, Single	
	1024 × 2400, 4Stripe, Dual	
	1024 × 2400, 4Stripe, Single	

Administrator Settings Menu (Cont'd)

(10) Admin.Signal Menu (Cont'd)

● indicates the factory default.

Item	Setting Value	Description
Signal Status DVI Rate(Hz) Pixel H Pixel V Link	— — — — —	Displays information on the input signals. Same as "Signal Status" in the User Menu. DVI : Displays the DVI input terminal number. Rate(Hz) : Displays the vertical frequency. Pixel H : Displays the horizontal resolution. Pixel V : Displays the vertical resolution. Link : Displays the link status of the DVI terminal. <hr/> NOTE: ● This item is not displayed when there is no signal input. ● The text color of Rate (vertical frequency) turns red in the case of interlaced signal. And the text turns white in the case of progressive signal.
Display Mode	● Signal Double Cross	For specifying the display mode of the projection screen. Same configuration as "Display Mode" in the User Menu. Signal : Displays input signals on a single screen. Double : Displays two different input signals on two screens. The left screen displays images of the DVI1 terminal, and the right screen displays images of the DVI3 terminal. Cross : Displays four different input signals on four screens. The top left screen displays images of the DVI1 terminal, the top right screen displays images of the DVI2 terminal, the bottom left screen displays images of the DVI3 terminal, while the bottom right screen displays images of the DVI4 terminal.
EDID	—	For rewriting EDID. Click the "Browse" button and select an EDID file. Click the "SET" button to start writing. Write "OK" will be displayed for each channel. "NG (number)" is displayed when writing fails. Error Code 1: System error 7: Unable to execute due to power off 8: Unable to rewrite due to DVI cable connection <hr/> CAUTION: ● Do not turn off the power during rewrite. ● The EDID file capacity is within 256 byte. ● Rewriting to individual channel is not available. ● It is not possible to move on to other pages during rewrite. <hr/> NOTE: ● EDID: Extended Display Information Data A data to describe the specifications (resolution, model number, etc.) of the projector. The compatible transmitting device will output the optimum video signal based on this data.

Troubleshooting

Check the following points before sending this product for repair.
The following phenomena are not malfunctions.

■ **If there is no abnormality on the screen when the phenomena below appear, they are not malfunctions.**

- The top or front part as well as the rear of the projector unit is hot
- A creaking sound is heard from the projector
- Device noise is heard from the interior of the projector
- There is color bleeding on the screen

■ **When the projector fails to run properly due to external noises, perform the following operations.**

- ① Check to ensure that the power is shut down. Unplug the power cord, and insert again.
- ② Turn on the power of the projector.

■ **A sound maybe heard when the lamp burn out. However, this is not a hazard.**

■ **D-ILA devices are manufactured using extremely high-precision technology. However, some of the pixels may not lit up or remain permanently lit up.**

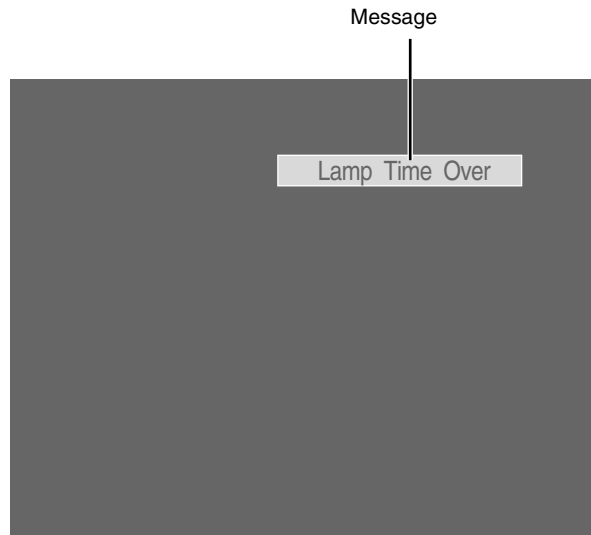
Symptom	Probable Cause	Corrective Action	Reference Page
Power is not supplied	● Is the power cord disconnected?	● Insert the power cord (plug) properly.	☞ Page 25
	● Is the main power supply switched turned on?	● Turn on the main power supply switch of the projector unit.	☞ Page 25
	● Is the lamp in the cool down mode?	● Turn on the power again after the cool down mode ends.	☞ Page 31
	● Is the lamp protection function triggered? (This function is triggered when the power shuts down such as during power failures.)	● Wait till the temperature of the lamp has gone down. (Turn on the main power supply switch to run the fan and cool down the lamp.) Turn on the power after about 180 seconds.	—
Image is dark	● Is the lamp near exhaustion?	● Check the “Lamp Information” setting of the Main menu. When the lamp life is near its end, please consult your authorized dealer.	☞ Page 35
Projector works when the power is turned on, but stops abruptly after a few minutes	● Are the air inlets and vent holes blocked?	● Turn off the main power supply switch, and remove the blockage. After removing, turn on the power again.	☞ Page 12 to 14, 31
	● Is the temperature of the room high?	● Set the temperature of the room or the surrounding temperature of this projector to an appropriate level.	☞ Page 60
	● Are the filters dirty?	● Clean the filters.	☞ Page 58
Video image does not appear	● Is the lens cap removed?	● Remove the lens cap.	☞ Page 12
	● Are devices properly connected?	● Connect the devices correctly.	☞ Page 21, 23
	● Is the power of the connected devices turned on?	● Turn on the power of the connected devices.	—
	● Are correct signals being output from the connected devices?	● Configure the connected devices correctly.	—
	● Are the signals of the connected devices possible input signals?	● Check to ensure that they are possible input signals, and input compatible signals accordingly.	☞ Page 20, 22
	● Is the image temporarily hidden?	● Set “Hide” of the Main menu or Image menu to “OFF” to display the image.	☞ Page 31, 36, 37

Troubleshooting (Cont'd)

Symptom	Probable Cause	Corrective Action	Reference Page
Video image is blur	<ul style="list-style-type: none"> Is the projector out of focus? 	<ul style="list-style-type: none"> Adjust the focus using "Focus" of the Lens menu. 	☞ Page 31, 40
	<ul style="list-style-type: none"> Is the projection distance too short or too long? 	<ul style="list-style-type: none"> Set it to a correct distance. 	☞ Page 18, 19
Image is unusually dark or bright	<ul style="list-style-type: none"> Is the brightness level properly adjusted? 	<ul style="list-style-type: none"> Adjust accordingly using "Brightness" of the Image menu. Adjust "Lamp Power" in the Option menu. 	☞ Page 37 ☞ Page 41
Coloring of the image is poor or distorted	<ul style="list-style-type: none"> Is the contrast level properly adjusted? 	<ul style="list-style-type: none"> Adjust accordingly using "Contrast" of the Image menu. 	☞ Page 37
	<ul style="list-style-type: none"> Are the signals of the connected devices possible input signals? 	<ul style="list-style-type: none"> Check to ensure that they are possible input signals, and input compatible signals accordingly. 	☞ Page 20, 22
	<ul style="list-style-type: none"> Is the input cable correctly connected? 	<ul style="list-style-type: none"> Connect the input cable correctly. 	☞ Page 21, 23
Projection position on the screen has shifted	<ul style="list-style-type: none"> Has the setup position of the projector been shifted? 	<ul style="list-style-type: none"> Check the setup position of the projector. 	—
Image disappears suddenly	<ul style="list-style-type: none"> Are the video signals correctly input? 	<ul style="list-style-type: none"> Check the signals and connection. 	☞ Page 20 to 23
Images do not appear on the two-screen mode display	<ul style="list-style-type: none"> Are the DVI 1 and DVI 3 terminals connected for input? 	<ul style="list-style-type: none"> To display images in the two-screen mode, connect the DVI 1 and DVI 3 terminals. The left screen displays images of the DVI 1 terminal, and the right screen displays images of the DVI 3 terminal. 	☞ Page 22, 23
Images do not appear immediately after power is turned on	<ul style="list-style-type: none"> Formatting is in progress. 	<ul style="list-style-type: none"> Please wait for a maximum duration of 3 minutes for the formatting progress to end. 	☞ Page 30
The screen does not darken immediately when the projection has ended	<ul style="list-style-type: none"> The ending process is in progress. 	<ul style="list-style-type: none"> Please wait for a maximum duration of 2 minutes for the ending progress to complete after several hours of image projection. 	☞ Page 31

What to do when these messages are displayed

Messages are displayed when the lamp life has expired and when there is input of signals that cannot be used.



Message	Cause (Details)
Lamp Time Over	<ul style="list-style-type: none"> Displayed when the lamp time has exceeded 2000 hours. The message is displayed for a period of 3 minutes during each projection. <ul style="list-style-type: none"> → Replace with a new lamp unit. For details on replacement of the lamp unit, please consult your authorized dealer.
Out of Range	<ul style="list-style-type: none"> When there is input of video signals that cannot be used with this unit <ul style="list-style-type: none"> → Input video signals that can be used.
No Input	<ul style="list-style-type: none"> When no device is connected to the input terminal When the input terminal is connected but there is no signal <ul style="list-style-type: none"> → Input the video signals.

NOTE:

- The messages will not be displayed under factory default conditions.
- Set “Message Display” in the Option menu to “ON”. (☞ Page 41)

Warnings Using Indicators

The lamp time and warning mode are indicated using the indicator.
For indicator displays during normal operation, refer to the note below.

No.	Indicator			Description
	STANDBY/ ON	LAMP	WARNING	
1	*1	Light On (Yellow)	-	About time to replace lamp (Lamp time has exceeded 1900 hours.)
2				When the lamp life has expired (Lamp time has exceeded 2000 hours. Message displayed. (☞ Page 53))
3	*2	Blinking (Yellow)	Light On (Red)	When lamp does not light up and projection fails
4				When the lamp goes off during projection
5	*2	-	Light On (Red)	Temperature around the lamp is high
6				When the external temperature is unusually high
7				When the internal temperature is unusually high
8				When an abnormality has occurred in the cooling fan
9				When error occurs in the circuit operation
10	*1	Blinking (Yellow)	-	One of the lamp does not turn on

*1: The indicator lights up in red when in the standby mode, and in green when in the operating mode.

*2: The indicator lights up in red when in the warning mode, and blinks in red when in the cool down mode.

■ Measures when the warning mode appears

When the projector switches to the warning mode (Nos. 3 to 9), projection stops automatically, and the cooling fan runs for about 180 seconds.

After the cooling fan stops running, turn off the main power supply switch, and remove the power plug from the outlet. Perform the following checks and take the corresponding measures.

No.	Check	Measure
3	● Check whether the projector has been subject to shock during operation.	● Turn on the power again.
4		
5	● Check whether the air inlets are blocked by objects. ● Check to ensure that the external temperature of the projector is normal.	● Allow some time for the projector to cool down.
6		
7		
8		
9		

If the warning indication is displayed again, turn off the main power supply switch after the cooling fan stops running. Then pull out the power plug from the power outlet. Call your authorized dealer for repair.

NOTE:

- Indicator display during normal condition.

Indicator	Description		
	STANDBY/ ON	LAMP	WARNING
Light On (Red)	-	-	When in the standby mode.
Light On (Green)	-	-	When power is supplied (operating mode).
Blinking (Red)	-	-	When cooling down (cool down mode). (☞ Page 31)
Blinking (Green)	-	-	When the projected image is temporarily hidden. (☞ Page 31)

Warning Status

The latest error code (Warning Status) appears in the Main Menu when an abnormality occurs in the projector. Error details are as follows:

Error Code	Meaning
1	Lamp 1 does not turn on.
2	Accumulated lamp time for Lamp 1 has exceeded 2000 hours.
6	Lamp 1 goes off during projection.
8	Abnormally high temperature in the projector.
9	Abnormally high temperature around the intake vent.
A	Abnormally high ambient temperature around the lamp.
15	The lamp cover is open.
30	Trouble with CPU circuit board.
31	Trouble with MAIN circuit board.
32	Trouble with DD-RB circuit board.
33	Trouble with DD-G circuit board.
40	FAN1 (the cooling fan for Lamp 1) has stopped.
41	FAN2 (the cooling fan for Lamp 2) has stopped.
42	FAN3 (the cooling fan for overall exhaust/prism) has stopped.
43	FAN4 (the auxiliary cooling fan for exhaust) has stopped.
44	FAN5 (the cooling fan for the lighting system (PCS)) has stopped.
45	FAN6 (the cooling fan for the device) has stopped.
46	FAN7 (the cooling fan for the MAIN circuit board) has stopped.
47	FAN8 (the cooling fan for the DD circuit board) has stopped.
48	FAN9 (the cooling fan for the power supply of the circuit) has stopped.
49	FAN10 (the cooling fan for the power supply of Lamp 1) has stopped.
4A	FAN11 (the cooling fan for the power supply of Lamp 2) has stopped.
50	Trouble with mechanical shutter.
51	Lamp 2 does not turn on.
52	Accumulated lamp time for Lamp 2 has exceeded 2000 hours.
56	Lamp 2 goes off during projection.

RS-232C Interface

You can control this projector via a computer by connecting the computer to this unit using a RS-232C cross cable (D-sub 9 pins). The commands to control this unit and the response data format against the received commands are explained here.

For details, please consult your authorized dealer.

Communication Specifications

Communication specifications for this unit are as follows:

Transfer Rate	19200 bps
Data Length	8 bit
Parity	None
Stop Bit	1 bit
Flow Control	None

Command Format

■ Command Data Format (PC→Projector)

When sending a control command to this unit, use the following data format:



Header : Designates the head of data and the data type.

“!” (21h): Assigns command to the projector (Command)

“?” (3Fh): Query to the projector (Asking command)

ID : “1”: Identification number of the projector (Factory setting is 1)

SP : Designates the delimiter between ID and command, command and parameter, as well as parameter and parameter. (20h)

CR : Designates the terminal of the data. (0Dh)

* [] is not necessary for Asking command.

■ Response Data Format (Projector→PC)

Upon executing a control command, this unit sends back response data to the computer in this format.



Header : Designates the head of the response data.

“@” (40h): Fetches data from the projector

ID : “1”: Identification number of the projector (Factory setting is 1)

SP : Designates the delimiter between ID and normal termination status, normal termination status and parameter, as well as parameter and parameter. (20h)

Normal Termination Status : “0” (30h)

CR : Designates the terminal of the data. (0Dh)

* [] is not applicable when sending commands to the projector.

■ Parameters used for the data format

The following 2 types of parameters are used for command and response data:

(1) ON/OFF (2) Special Parameter

Each parameter is as follows:

(1) ON/OFF

Shows the status (ON or OFF) of the unit, such as POWER and HIDE.

Character	Hex	Meaning
0	30	OFF
1	31	ON

(2) Special parameters

Operation mode parameters

Character	Hex	Meaning
0000	30 30 30 30	Standby state
0001	30 30 30 31	Power ON state
0002	30 30 30 32	Cooling state
0003	30 30 30 33	Emergency cooling state
0004	30 30 30 34	Emergency state

DHCP client parameters

Character	Hex	Meaning
0	30	DHCP
1	31	STATIC IP

IP address parameters

Display the IP address using the dot (".") (2HE) delimiter.

Example: "192.168.0.10"

■ External control command table

Function	Command	Setting		Asking		Data Type	
		Power On	ELSE	Power On	ELSE	ON/OFF	Special Parameter
Power	U0F	✓ (OFF)	✓ (ON)	—	—	✓	—
Hide	U00	✓	—	✓	—	✓	—
Operation Mode	UA0	—	—	✓	✓	—	Standby...
DHCP Client	UD2	✓	✓	✓	✓	—	DHCP...
IP Address	UD3	✓	✓	✓	✓	—	192.168. ...
Network Restart	UDC	✓	✓	✓	✓	—	[0] Fixed

NOTE:

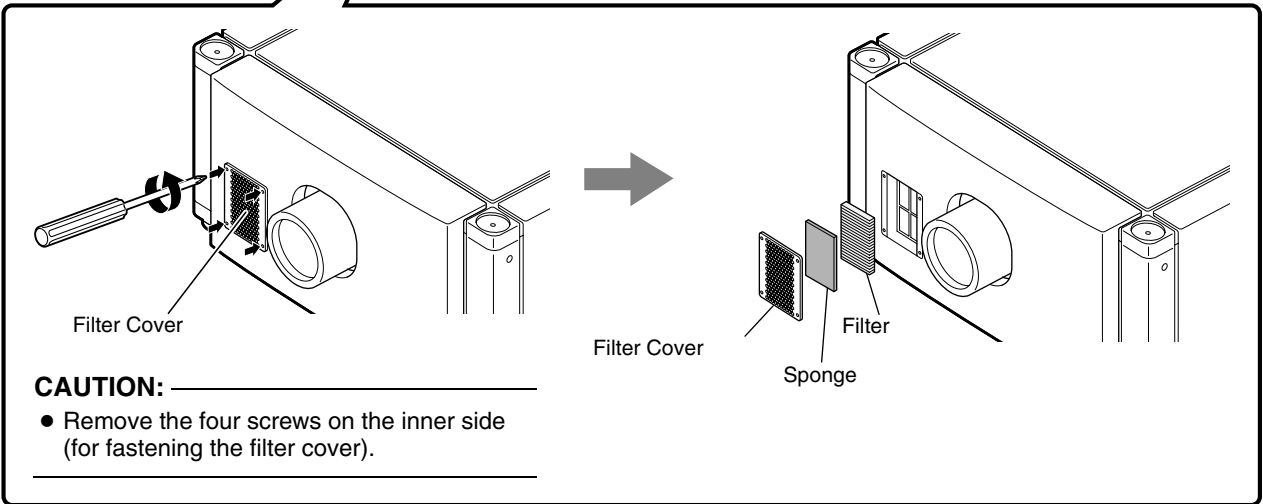
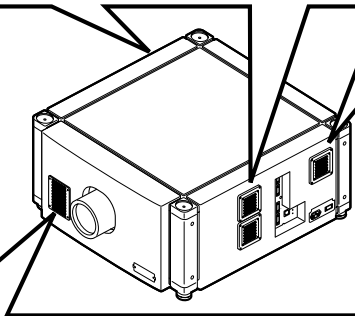
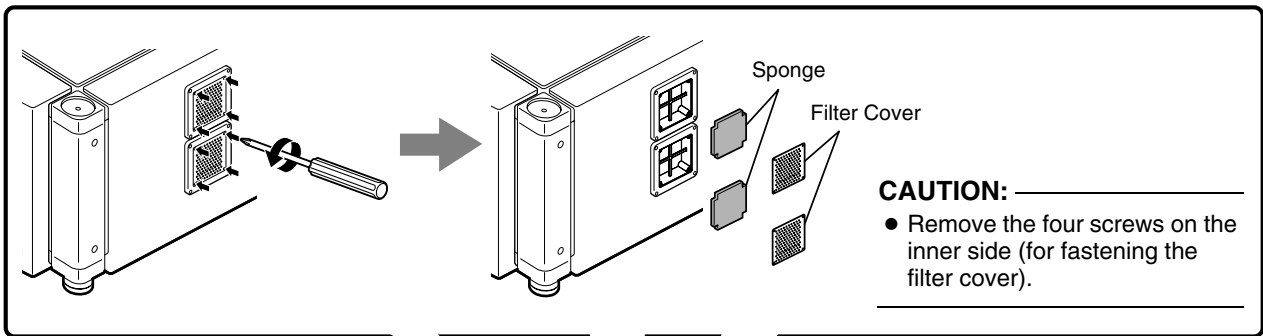
- After configuring "DHCP Client" and "IP Address", execute "Network Restart".

Maintenance

Turn off the power of the projector unit, and unplug the power cord when cleaning or replacing the filter.

Cleaning and Replacing the Filter

Clean the filter regularly. If the filter is soiled, air intake efficiency may deteriorate, thus resulting in malfunction of the product. Replace with a new one if the filter fails to remove dust thoroughly or if it is damaged. Failure to do so may cause dust to enter the projector and shadows to appear on the projected image. If dirt has entered this product or if you need to purchase the filter, please consult the authorized dealer from which this product is purchased or any nearby JVC servicing center.



1 Remove the filter cover

The filter is located at the front side of the projector unit.

2 Remove the sponge and filter

Hold the center of the filter using your fingers, and pull the filter toward you to remove it.

3 Clean the sponge and filter

Remove any dirt or dust using a vacuum cleaner.

CAUTION:

- Do not clean using a flammable air duster. This may cause fire.

4 Mount the sponge and filter

Mount the filter and sponge to the projector using the reverse removed procedure.

Finally, check to ensure that the filter cover is firmly mounted.

NOTE:

- Mount the filter correctly. Failure to do so may cause the projector to malfunction.
 - The projector may stop operating if a damaged filter or filter panel is used. In this case, replace the filter or filter panel with a new one.
-

Routine Servicing

■ Clean dirt on the cabinet

Do this with a soft cloth. In case of heavy soiling, soak a cloth in neutral detergent diluted with water, wring dry and wipe, followed by wiping again using a dry cloth. Pay attention to the following to prevent the cabinet from deteriorating in condition, getting damaged, or the paint from coming off.

- Do not wipe with a stiff cloth
- Do not wipe with force
- Do not wipe with thinner or benzene
- Do not spray volatile chemicals like insecticide
- Do not allow prolonged contact with rubber or plastic products

■ Remove dirt that is attached to the vent holes

Do this using a vacuum cleaner. Wipe using a cloth if a vacuum cleaner cannot be used. Leaving dust attached may prevent adjustment of the internal temperature and result in malfunction of the projector.

■ Clean dirt on the lens

Do this using commercial blowers or lens cleaning papers (for cleaning glasses and cameras). Do not use fluid-type cleaning agents. This may lead to peeling of the surface coating film. Lens surface is fragile. Avoid rubbing or knocking it.

Replacement of Light Source Lamp

The light source lamp is a consumable item. Replace with a new lamp unit if the image appears dull or if the lamp burns out.

- When the lamp needs to be replaced soon, users will be notified through a message on the screen and the indicator. (☞ Page 53, 54)
- The life of the lamp used for this projector is about 2000 hours.
This is the average life of lamps, and not a guaranteed value.
- The lamp life may not reach 2000 hours depending on the operating conditions.
- Deterioration progresses rapidly when the remaining lamp usable time is short.
- If the image is dark or color tone abnormal, replace the lamp unit as soon as possible.
- For details on replacement of the lamp unit, please consult your authorized dealer.
- Lamp has to be replaced by an authorized person. Do not remove LAMP DOOR and lamp unit. This may cause fire and electric shock hazards. Access to the lamp unit only possible with use of tool.

Specifications

■ General

Power supply	AC 110 V to AC 240 V 50 Hz/60 Hz
Power consumption	1100 W (Standby mode: 6 W)
Current consumption	Max 9.5 A
Calorific power	3960 kJ/h (946 kcal/h)
Air capacity	Intake: Approx. 3 m ³ /min Exhaust: Approx. 3 m ³ /min
Allowable operating temperature range	10 °C to 35 °C
Allowable operating humidity range	Less than 80 % (no condensation)
Allowable storage temperature range	-5 °C to 60 °C
Installation height	Operation guarantee: 2000 m and below Performance guarantee: 1500 m and below
Dimensions	660 mm × 342 to 362 mm × 783 mm (Width × Height × Depth) (Excluding lens and small protrusions)
Mass	50.5 kg (Excluding lens)

■ Optical System

Projection method	D-ILA analog drive system × 3
D-ILA element ^{*1*2}	1.27" (4096 × 2400 pixels) × 3 pcs (total no. of pixels: 29,491,200 pixels)
Projection lens (optional)	GL-MS4015SZG (1.50:1 to 1.84:1 zoom lens) GL-MS4011SG (1:1.1 Short focal length lens)
Light-source Lamp	330 W high pressure mercury lamp
Screen size	80" to 300" (zoom lens) 50" to 250" (short focal length lens)
Projection distance	Approx. 2.6 m to 12 m (zoom lens) Approx. 1.2 m to 6 m (short focal length lens)

■ Terminal

Video input	DVI-D (dual link) 24 pins (supports 12-bit extended input) × 4 (supports HDCP ^{*3})
LAN	RJ45 × 1
USB	Type B (Slave) × 1
RS-232C	D-sub 9 pins (male) × 1

■ Optional Items

Projection lens	GL-MS4015SZG ● 1.50:1 to 1.84:1 1.22x zoom lens (80" to 300") GL-MS4011SG ● 1:1.1 short focal length lens (50" to 250")
Replacement filter/sponge (front)	LC43010-003A (Filter) LC43030-003A (Sponge)
Replacement sponge (right/left side)	LC43030-002A

^{*1} D-ILA is the abbreviation for Direct drive Image Light Amplifier.

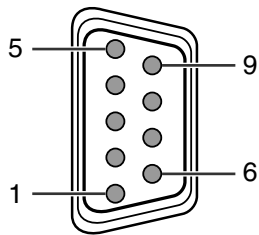
^{*2} D-ILA devices are manufactured using extremely high-precision technology. Pixel effectiveness is 99.99 %. Only 0.01 % or less of the pixels would either not lit up or remain permanently lit up.

^{*3} HDCP is the abbreviation for High-bandwidth Digital Content Protection system. Images from the DVI input terminal may not be displayed due to HDCP specification changes.

- The open source software is embedded in this product. For more information, please go to: <http://www.jvc-victor.co.jp/english/download/lnx/07jvc-pj/>
- Specifications and appearance of this product may be subject to change for improvement without prior notice.
- Please note that some of the pictures and illustrations may have been abridged, enlarged or contextualized in order to aid comprehension. Images may differ from the actual product.

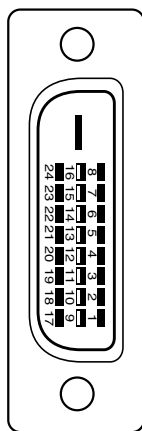
■ Pin Arrangement

● RS-232C Terminal



Pin No.	Signal	Action	Signal Direction
2	RxD	Incoming Data	This Projector ← PC
3	TxD	Outgoing Data	This Projector → PC
5	GND	Signal Ground	—
1, 4, 6–9	NC	—	—

● DVI-D Terminal



Pin No.	Signal	Pin No.	Signal
1	TMDS Data 2 –	13	TMDS Data 3+
2	TMDS Data 2+	14	TMDS +5 V Power Supply
3	TMDS Data 2/4 Shield	15	Earth (+5 V)
4	TMDS Data 4 –	16	Hot Plug Detection
5	TMDS Data 4+	17	TMDS Data 0 –
6	DDC Clock	18	TMDS Data 0+
7	DDC Data	19	TMDS Data 0/5 Shield
8	NC	20	TMDS Data 5 –
9	TMDS Data 1 –	21	TMDS Data 5+
10	TMDS Data 1+	22	TMDS Clock Shield
11	TMDS Data 1/3 Shield	23	TMDS Clock +
12	TMDS Data 3 –	24	TMDS Clock –

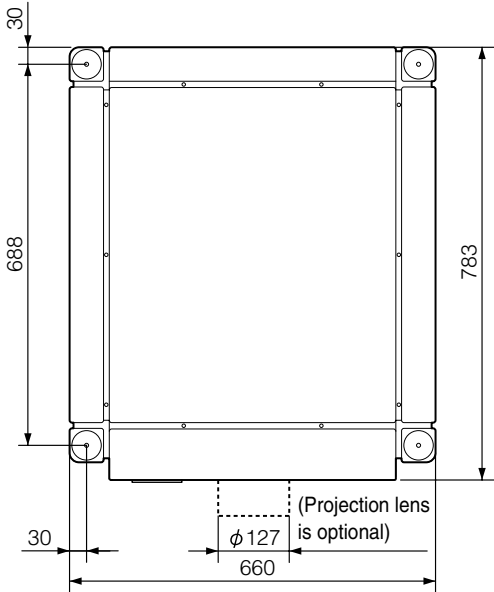
TMDS = Transition Minimized Differential Signaling
DDC = Display Data Channel

Specifications (Cont'd)

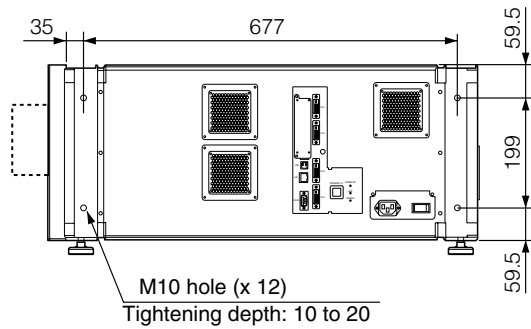
Dimensional Outline Drawing

(Unit: mm)

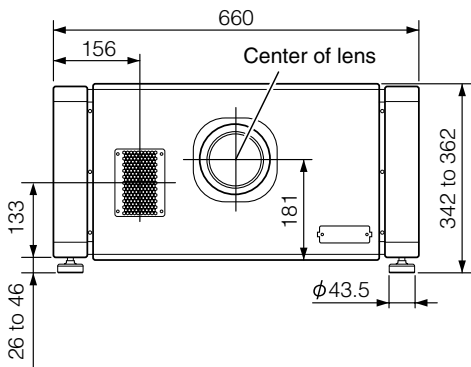
■ Top



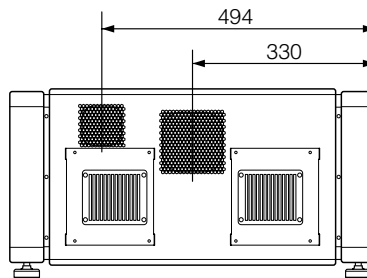
■ Side



■ Front



■ Rear



CAUTION:

- Using screws with dimensions other than those specified in the above diagram may cause the projector to drop or malfunction.

Memo :

DLA-SH7NL **D-LILA** PROJECTOR

JVC

Free Manuals Download Website

<http://myh66.com>

<http://usermanuals.us>

<http://www.somanuals.com>

<http://www.4manuals.cc>

<http://www.manual-lib.com>

<http://www.404manual.com>

<http://www.luxmanual.com>

<http://aubethermostatmanual.com>

Golf course search by state

<http://golfingnear.com>

Email search by domain

<http://emailbydomain.com>

Auto manuals search

<http://auto.somanuals.com>

TV manuals search

<http://tv.somanuals.com>