



**D-ILA™ PROJECTOR**  
MANUEL D'INSTRUCTIONS : PROJECTEUR **D-ILA™**

# DLA-S15U

## INSTRUCTIONS

ENGLISH

**For customer Use:**

Enter below the Serial No. which is located on the side panel of the cabinet. Retain this information for future reference.

**Pour l'utilisateur:**

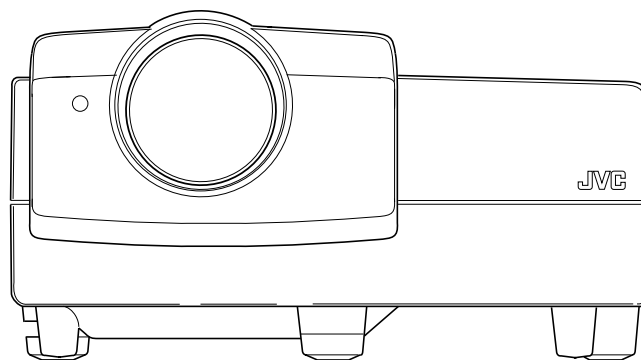
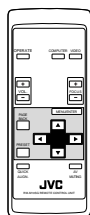
Inscrivez ci-dessous le No de série situé sur le panneau latéral du coffret de l'appareil. Conservez cette information à titre d'information.

Model No.

No de modèle DLA-S15U

Serial No.

No de série \_\_\_\_\_



FRANÇAIS

**INSTRUCTIONS**

**D-ILA™ PROJECTOR**

**DLA-S15U**

**ENGLISH**

Thank you for purchasing this projector. Before using it, read and follow all instructions carefully to take full advantage of the projector's capabilities.

# SAFETY PRECAUTIONS

## IMPORTANT INFORMATION

### WARNING :

TO PREVENT FIRE OR SHOCK HAZARDS, DO NOT EXPOSE THIS APPLIANCE TO RAIN OR MOISTURE.

### CAUTION :

To reduce the risk of electric shock, do not remove cover. Refer servicing to qualified service personnel.

This projector is equipped with a 3-blade grounding-type plug to satisfy FCC rule. If you are unable to insert the plug into the outlet, contact your electrician.

### FCC INFORMATION (U.S.A. only)

**CAUTION:** Changes or modification not approved by JVC could void the user's authority to operate the equipment.

**NOTE:** This equipment has been tested and found to comply with the limits for a Class A digital device, pursuant to Part 15 of the FCC Rules. These limits are designed to provide reasonable protection against harmful interference when the equipment is operated in a commercial environment. This equipment generates, uses, and can radiate radio frequency energy and, if not installed and used in accordance with the instruction manual, may cause harmful interference to radio communications. Operation of this equipment in a residential area is likely to cause harmful interference in which case the user will be required to correct the interference at his own expense.

### About burning-in of the D-ILA device

Do not allow the same still picture to be projected for a long time or an abnormally bright video picture to be projected.

Do not project video images with high-intensity or high-contrast on a screen. The video image could be burned in to the D-ILA device.

Use special care when projecting video games or computer program images. There is no problem with ordinary video-cassette playback images.

## IMPORTANT SAFEGUARDS

Electrical energy can perform many useful functions. This unit has been engineered and manufactured to assure your personal safety. But **IMPROPER USE CAN RESULT IN POTENTIAL ELECTRICAL SHOCK OR FIRE HAZARD.** In order not to defeat the safeguards incorporated into this product, observe the following basic rules for its installation, use and service. Please read these "Important Safeguards" carefully before use.

- All the safety and operating instructions should be read before the product is operated.
- The safety and operating instructions should be retained for future reference.
- All warnings on the product and in the operating instructions should be adhered to.
- All operating instructions should be followed.
- Unplug this product from the wall outlet before cleaning. Do not use liquid cleaners or aerosol cleaners. Use a damp cloth for cleaning.
- Do not use attachments not recommended by the product manufacturer as they may be hazardous.
- Do not use this product near water. Do not use immediately after moving from a low temperature to high temperature, as this causes condensation, which may result in fire, electric shock, or other hazards.
- Do not place this product on an unstable cart, stand, or table. The product may fall, causing serious injury to a child or adult, and serious damage to the product. The product should be mounted according to the manufacturer's instructions, and should use a mount recommended by the manufacturer.
- When the product is used on a cart, care should be taken to avoid quick stops, excessive force, and uneven surfaces which may cause the product and cart to overturn, damaging equipment or causing possible injury to the operator.
- Slots and openings in the cabinet are provided for ventilation. These ensure reliable operation of the product and protect it from overheating. These openings must not be blocked or covered. (The openings should never be blocked by placing the product on bed, sofa, rug, or similar surface. It should not be placed in a built-in installation such as a bookcase or rack unless proper ventilation is provided and the manufacturer's instructions have been adhered to.)



For proper ventilation, separate the product from other equipment, which may prevent ventilation and keep distance more than 50 cm (19-3/4").

## SAFETY PRECAUTIONS (Cont.)

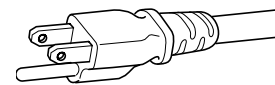
- This product should be operated only with the type of power source indicated on the label. If you are not sure of the type of power supply to your home, consult your product dealer or local power company.
- This product is equipped with a three-wire plug. This plug will fit only into a grounded power outlet. If you are unable to insert the plug into the outlet, contact your electrician to install the proper outlet. Do not defeat the safety purpose of the grounded plug.
- Power-supply cords should be routed so that they are not likely to be walked on or pinched by items placed upon or against them. Pay particular attention to cords at doors, plugs, receptacles, and the point where they exit from the product.
- For added protection of this product during a lightning storm, or when it is left unattended and unused for long periods of time, unplug it from the wall outlet and disconnect the cable system. This will prevent damage to the product due to lightning and power line surges.
- Do not overload wall outlets, extension cords, or convenience receptacles on other equipment as this can result in a risk of fire or electric shock.
- Never push objects of any kind into this product through openings as they may touch dangerous voltage points or short out parts that could result in a fire or electric shock. Never spill liquid of any kind on the product.
- Do not attempt to service this product yourself as opening or removing covers may expose you to dangerous voltages and other hazards. Refer all service to qualified service personnel.
- Unplug this product from the wall outlet and refer service to qualified service personnel under the following conditions:
  - a) When the power supply cord or plug is damaged.
  - b) If liquid has been spilled, or objects have fallen on the product.
  - c) If the product has been exposed to rain or water.
  - d) If the product does not operate normally by following the operating instructions. Adjust only those controls that are covered by the Operation Manual, as an improper adjustment of controls may result in damage and will often require extensive work by a qualified technician to restore the product to normal operation.
  - e) If the product has been dropped or damaged in any way.
  - f) When the product exhibits a distinct change in performance – this indicates a need for service.
- When replacement parts are required, be sure the service technician has used replacement parts specified by the manufacturer or with same characteristics as the original part. Unauthorized substitutions may result in fire, electric shock, or other hazards.
- Upon completion of any service or repairs to this product, ask the service technician to perform safety checks to determine that the product is in proper operating condition.
- The product should be placed more than one foot away from heat sources such as radiators, heat registers, stoves, and other products (including amplifiers) that produce heat.
- When connecting other products such as VCR's, and personal computers, you should turn off the power of this product for protection against electric shock.
- Do not place combustibles behind the cooling fan. For example, cloth, paper, matches, aerosol cans or gas lighters that present special hazards when over heated.
- Do not look into the projection lens while the illumination lamp is turned on. Exposure of your eyes to the strong light can result in impaired eyesight.
- Do not look into the inside of this unit through vents (ventilation holes), etc. Do not look at the illumination lamp directly by opening the cabinet while the illumination lamp is turned on. The illumination lamp also contains ultraviolet rays and the light is so powerful that your eyesight can be impaired.
- Xenon gas is enclosed with high pressure inside the light-source lamp (lamp unit) of this projector. If you drop or impart a shock to the lamp, or discard it as is, there is the possibility of explosion, leading to personal injury. Use special care when handling the lamp. For any unclear points, consult your product dealer.
- Use only the accessory cord designed for this product to prevent shock.

The power supply voltage rating of this product is AC 120 V, the power cord attached conforms to the following power supply voltage. Use only the power cord designated by our dealer to ensure Safety and EMC.

When it is used by other power supply voltage, power cable must be changed.

Consult your product dealer.

Power cord



Power supply voltage: AC 120 V

**\* DO NOT allow any unqualified person to install the unit.**

Be sure to ask your dealer to install the unit (e.g. attaching it to the ceiling) since special technical knowledge and skills are required for installation. If installation is performed by an unqualified person, it may cause personal injury or electrical shock.

# Contents

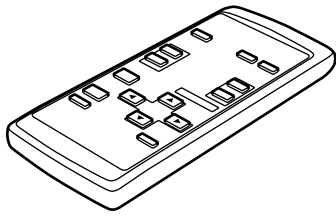
---

<b>SAFETY PRECAUTIONS .....</b>	<b>2</b>	<b>Operating the Setting Menu .....</b>	<b>31</b>
<b>Accessories .....</b>	<b>5</b>	Making Basic Settings .....	31
<b>Controls and Features .....</b>	<b>6</b>	<b>Operating the Main Menu .....</b>	<b>32</b>
Front Side / Top Surface / Right Side .....	6	Configuration of the Main Menu .....	32
Left-hand side .....	7	Operating the Main Menu (Basic Operation of the Main Menu) .....	34
Bottom Surface .....	8	Changing the Color System .....	35
Control Panel .....	9	Changing the Language Display .....	36
Connector Panel .....	11	Adjusting the Pixel Clock .....	37
Remote Control Unit .....	13	Adjusting the Screen Position .....	38
Installing Batteries .....	14	Adjusting Picture Quality .....	39
<b>Installing the Projector .....</b>	<b>15</b>	Adjusting Sound Quality .....	42
Precautions for installation .....	15	Setting and Adjusting Other Functions (OPTIONS) .....	43
Projection Distance and Screen Size .....	16	Changing (Setting) the Source .....	46
Relationship between Projection Distances and Projection Screen Sizes .....	17	<b>Replacing the Light-Source Lamp .....</b>	<b>48</b>
Effective Range and Distance of the Remote Control unit .....	18	Resetting the Lamp Use Time .....	50
Setting the Position Selecting Screw for Ceiling Mounting .....	18	<b>Cleaning and Replacing the Filter .....</b>	<b>51</b>
<b>Connecting to Various Devices .....</b>	<b>19</b>	<b>Troubleshooting .....</b>	<b>52</b>
Signals that Can Be Input to the Projector .....	19	<b>Specifications .....</b>	<b>54</b>
Connecting to Video Devices .....	20		
Connecting to Hi-Vision Devices .....	20		
Connecting to Other Devices .....	21		
Connecting to Devices which Control the Projector .....	21		
Connecting to Computer Devices .....	22		
Connecting the Power Cord (Supplied) .....	24		
When Turning On the Devices Connected to the Projector .....	25		
<b>Basic Operations .....</b>	<b>26</b>		
1. Turning on the Power .....	26		
2. Select the video input to be projected .....	27		
3. Adjust focus .....	28		
4. Adjust sound volume .....	28		
• For Operating Other Functions .....	29		

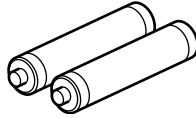
\* This manual is divided into two language sections:  
English and French.

# Accessories

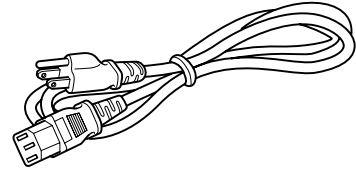
The following accessories are included with this projector. Check for them; if any item is missing, please contact your dealer.



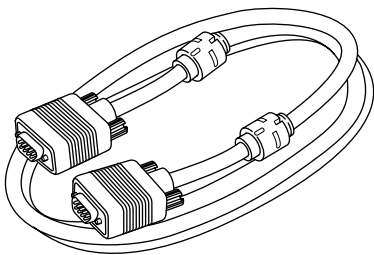
Remote control unit (RM-M10SG)



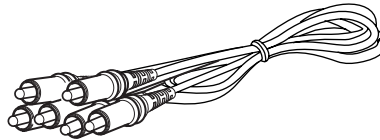
AAA/R03-size dry cell battery (x2)  
(for checking operation)



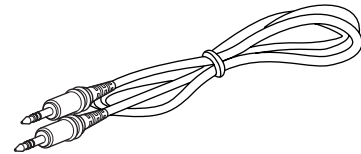
Power cord  
[approx. 2.5 m (8.2 ft)]



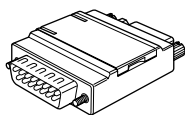
Personal computer connection cable  
[approx. 2 m (6.56 ft)]  
(D-sub, 3-row 15 pin)



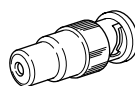
AV connection cable  
[approx. 1.5 m (4.92 ft)]



Audio cable  
[approx. 3 m (9.84 ft)]  
(3.5 mm dia. stereo mini plug)



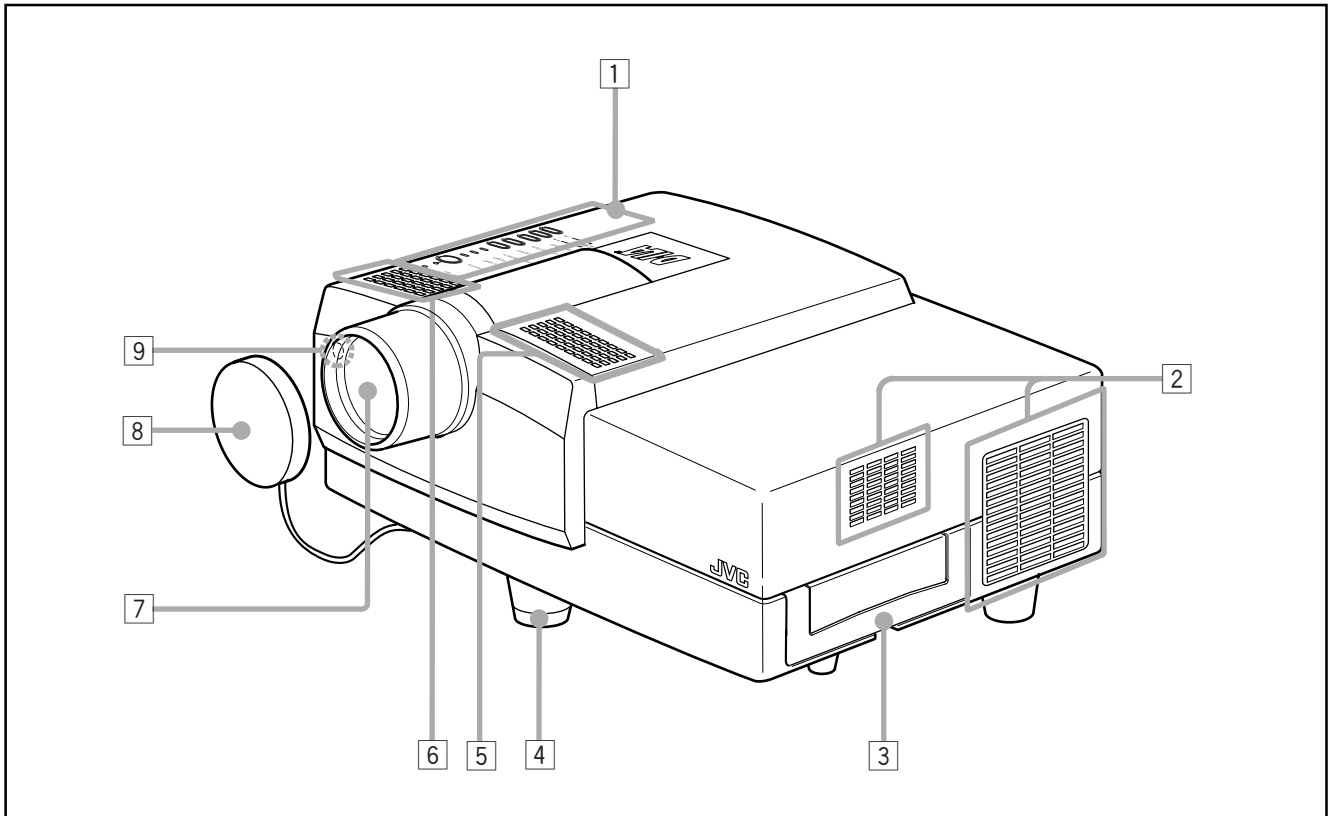
Conversion adapter for Mac  
(for Macintosh)



BNC-RCA conversion plug

# Controls and Features

## Front Side / Top Surface / Right Side



### 1 Control panel

For details, refer to "Control Panel" (page 9).

### 2 Exhaust vents

Vents for cooling fans through which warm air comes out.

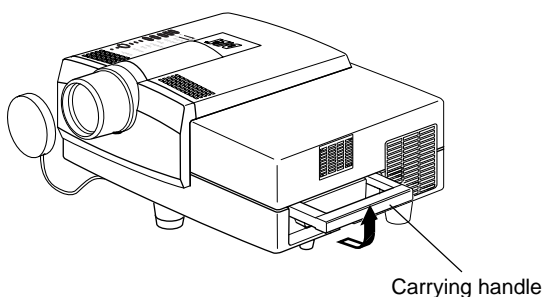
### CAUTION

- Do not block the exhaust vents, or heat builds up inside, possibly causing a fire. Also, do not touch the vents, or this could cause a low-temperature burn.

### 3 Carrying handle

Raise this handle when carrying the projector.

#### How to use the carrying handle



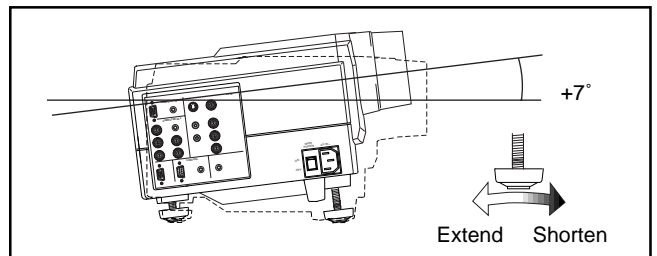
### CAUTIONS

- When carrying the projector, do not give a shock to it. Be careful to keep its balance.
- Do not carry it while the light source lamp is on or the cooling fan is operating. This could cause personal injury.

### 4 Adjustable foot (for adjusting upper/lower angles)

It is adjusted to be level when shipped from the factory. Turning to extend the foot allows adjustment up to +7°.

\* This adjustable foot can be removed. Turn the foot and extend it until removed. (Screw size available here is M8.)



### 5 Built-in speaker (left)

### 6 Built-in speaker (right)

### 7 Lens

Before projection, remove the lens cap.

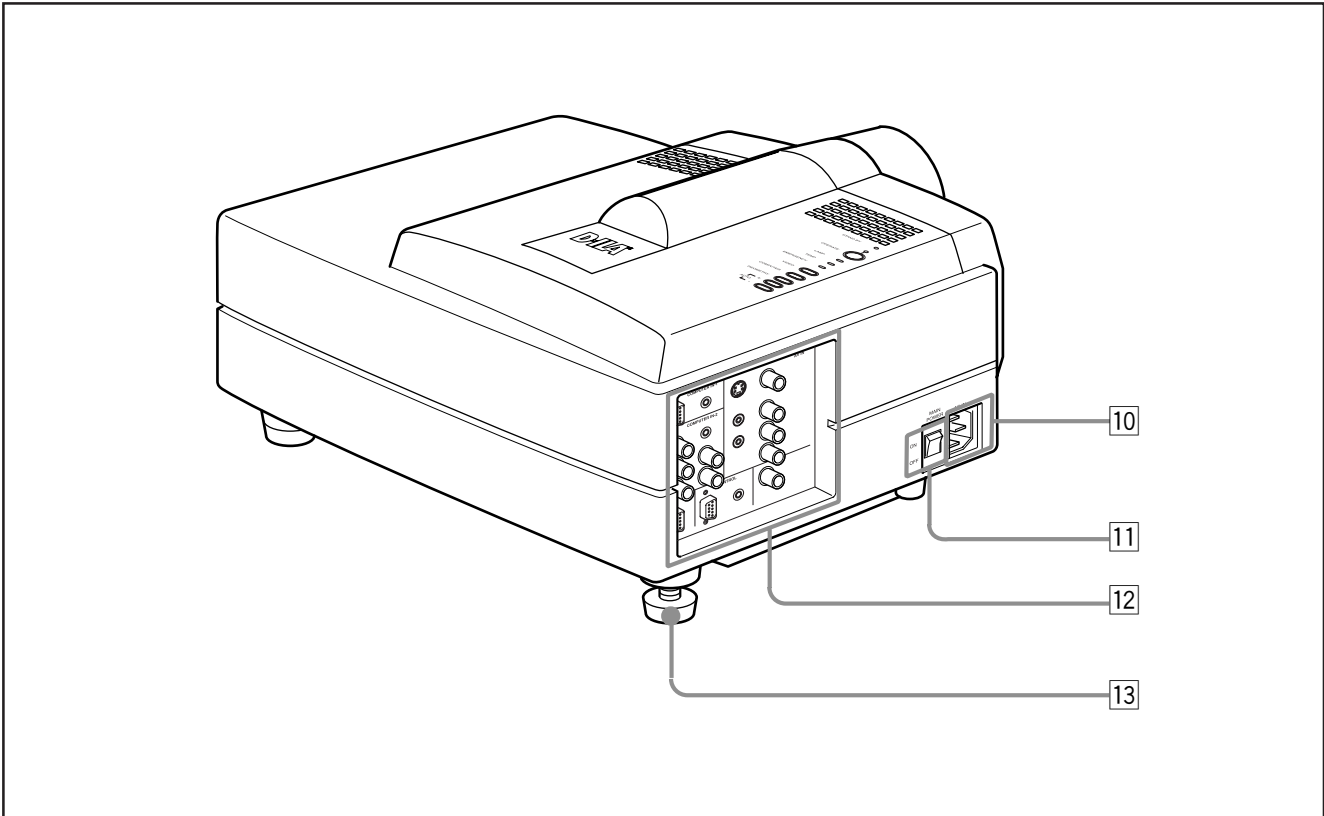
### 8 Lens cap

The cap has a string attached and the string is fixed to the projector when shipped from the factory. It is recommended that the cap be fitted on to prevent the lens becoming dirty when the projector is not used.

### 9 Remote sensor

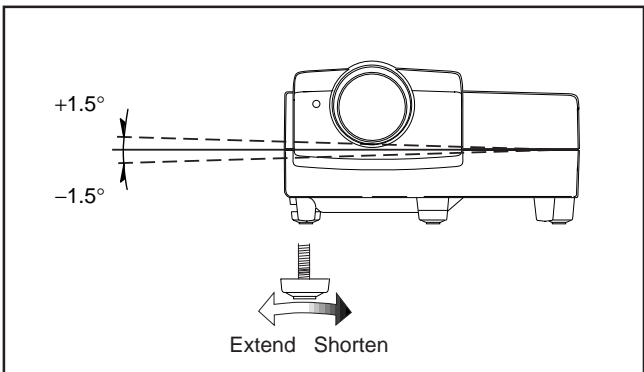
When operating with the remote control, aim it toward this sensor. You can also operate the remote control by pointing it to a screen and allowing the remote sensor to receive the reflected light.

**Left-hand side**



- 10 AC IN (power input) terminal**  
This is the power input terminal where the supplied power cord is connected. For details, refer to page 24.
- 11 MAIN POWER switch**  
This is the main power switch. When it is turned on, the projector goes into "stand-by state, and the STAND BY indicator on the control panel comes on.  
**ON [I]:** The main power turns on.  
**OFF [O]:** The main power turns off.
- 12 Connector panel**  
For details, refer to "Connector Panel" on page 11.

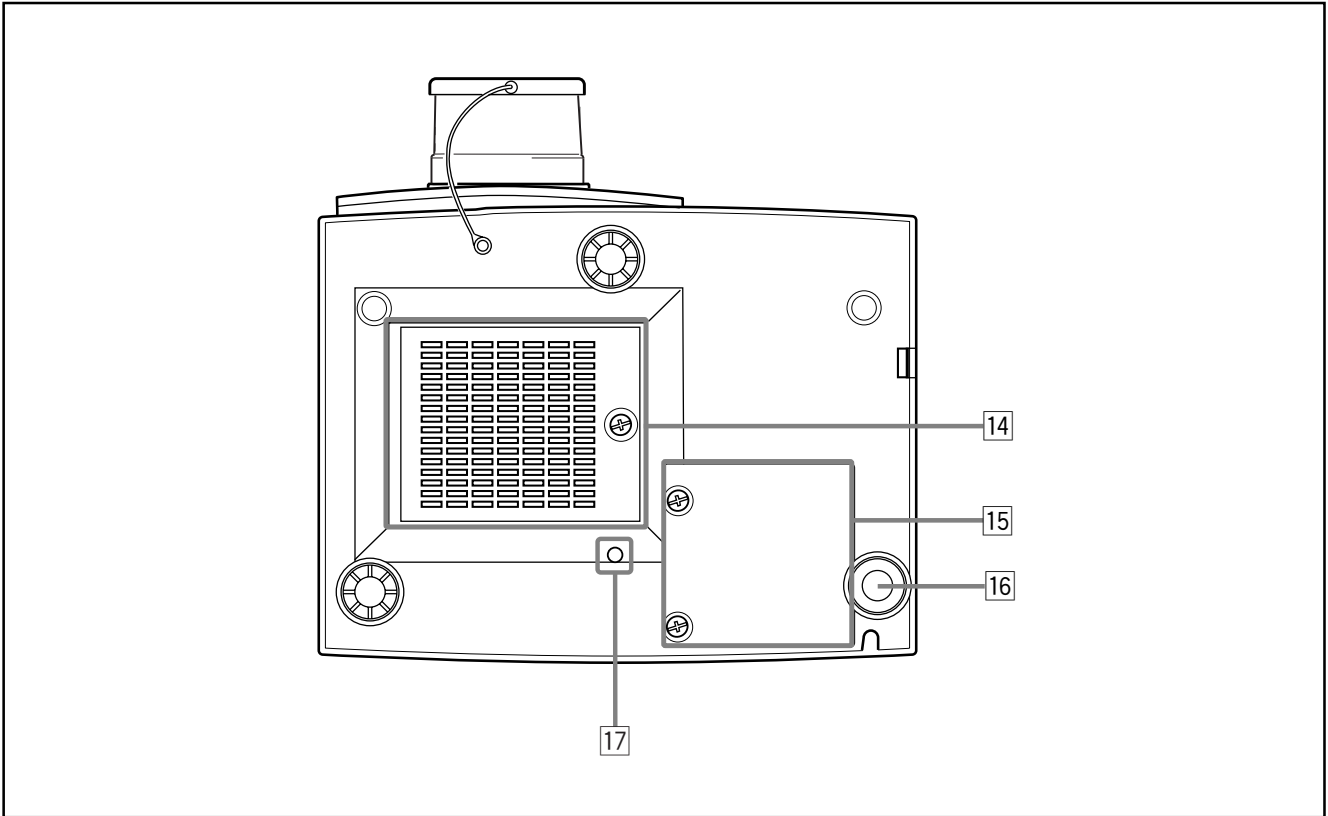
- 13 Adjustable foot (for horizontal angle adjustment)**  
It is set at the shortest position when shipped from the factory. Turn the foot to make the projector level. Adjustment can be made in the range of + 1.5° and - 1.5° from the horizontal position.  
\* This adjustable foot can be removed. Turn the foot and extend it until removed. (Screw size available here is M5)



ENGLISH



**Bottom Surface**



**14 Air intake area (filter)**

Air is taken in through this area to cool the light-source lamp. If this area is blocked or if something that obstructs taking in or exhausting air is placed around the projector, heat may build up inside and could cause a fire. For details, refer to "Precautions for Installation" on page 15.

**CAUTIONS**

- Be careful as paper, cloth or soft cushion could be drawn in if placed nearby. Do not block the intake area, or heat may build up and could cause a fire.
- Clean the filter periodically. For details, refer to "Cleaning and Replacing the Filter" on page 51. Deposition of dirt on the filter works to reduce the cooling effect, causing heat to build up inside, which could cause a fire or malfunction.

**15 Opening for replacing the light-source lamp**

For replacing the light-source lamp, refer to "Replacing the Light-Source Lamp" on page 48.

**16 Fixing foot**

Under the rubber seal of the bottom of this foot, there is a tapped hole. (Screw size available here is M8.)

**17 Position selecting screw for ceiling mounting**

When using the projector in an upside-down, ceiling-mounted position (inverted top-to-bottom and right-to-left), the "position selecting screw for ceiling mounting" must be turned to switch to ceiling mounting.

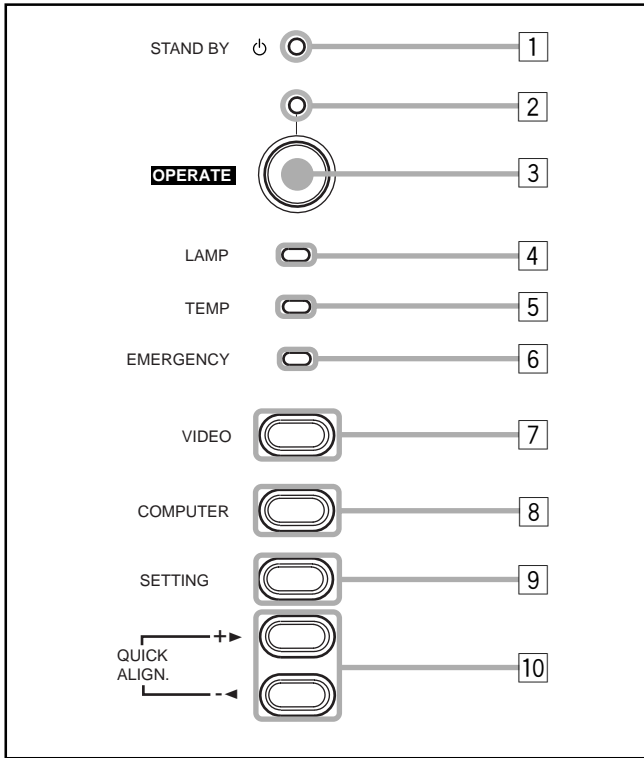
This will correct variance in color images (shading), which otherwise would occur in ceiling mounting.

For more information, refer to "position selecting screw for ceiling mounting" on page 18.

**CAUTION**

- To ceiling-mount and adjust the projector, special expertise and technique are necessary. Be sure to ask your dealer or a specialist to perform this work.

# Control Panel



**1 STAND BY Indicator**

**ON** : When in stand-by mode.  
**Blinking** : When in cool-down mode.

**Memo**

**About the cool-down mode:**

This projector has a function to cool down the heated lamp for a fixed period of time after projection is finished. This feature is referred to as the cool-down mode.

**CAUTION**

- The purpose of the cool-down mode is to prevent inner parts from being deformed or broken by heat from the heated lamp as well as to prolong the life of the lamp. Do not turn off the main power switch while in the cool-down mode. Also, do not place the projector on its side or stand it upright; this may block the exhaust vents.

**2 OPERATE indicator**

**ON:** When the projector is in operation (projecting)

**3 OPERATE button**

When the projector is in the stand-by mode, press this button, and the main power switch is turned on, causing the OPERATE indicator to light. Press it again, and the projector goes into the cool-down mode, then stand-by mode.

**Memo**

**While in the cool-down mode:**

If you press the OPERATE button, the projector is not tuned on.

**4 Lamp indicator**

**ON** : After the light-source lamp has been used for more than approx. 900 hours.

**Blinking** : Replace the lamp. Refer to "Replacing the Light-Source Lamp" on page 48.

**5 TEMP indicator**

**ON:** The temperature inside the projector has abnormally risen.

**Note**

- While the TEMP indicator is on (during abnormal temperature), the power is automatically cut off, and an emergency mode is shown (with the EMERGENCY indicator blinking).

**6 EMERGENCY indicator**

**Blinking:** Something abnormal has occurred with the projector.

**Memo**

**About the emergency mode:**

The emergency mode is shown when the following anomalies have occurred with the projector (the EMERGENCY indicator blinks). In the emergency mode, projection is automatically interrupted and the cooling fans operate for about 20 seconds.

- When the air filter is displaced.
- When the filter is clogged.
- When the light-source lamp has suddenly gone off.
- When the fans have stopped.
- When the temperature inside has risen abnormally high.

**CAUTION**

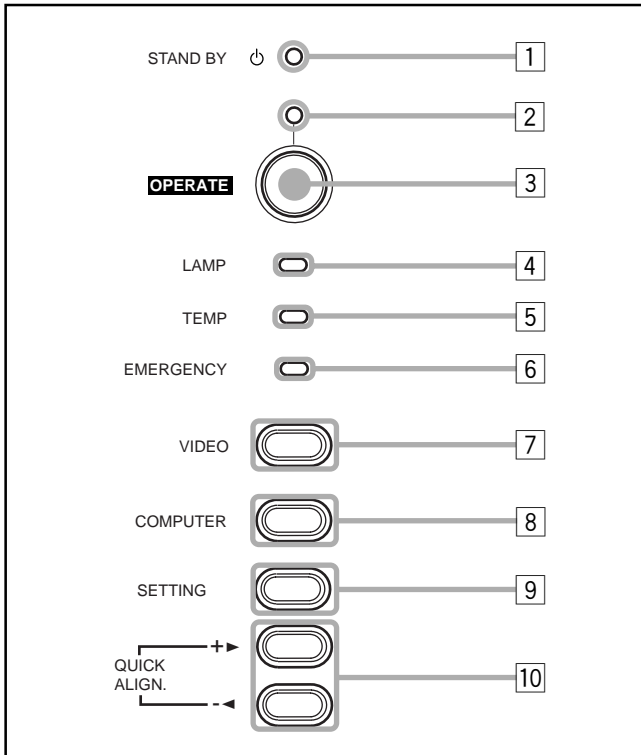
**When an emergency mode is shown:**

After the cooling fans have stopped, turn off the main power switch and unplug the power cord from the wall outlet.

Make sure the lamp-replacement cover and the air filter are correctly installed. Then, plug in the power cord again and operate the projector.

If it goes into an emergency mode again, after the cooling fans have stopped, turn off the main power switch, unplug the power cord, and call your dealer for repair.

**Control Panel (Cont.)**



**7 VIDEO button**

Use this button to select a device such as a video deck connected to the AV IN terminal of the projector. Each time you press the button, the device selected changes as follows:



**8 COMPUTER button**

Use this button to select a device connected to the COMPUTER -1 or -2 terminals. Each time you press the button, the selection changes as follows:



**9 SETTING button**

Use this button to call up the setting menu. For details, refer to "Making Basic Settings" on page 31.

**10 QUICK ALIGN. button**

While a menu screen is shown, use this button to adjust the values for the item selected. When no menu is shown, the quick alignment function works.

**• When a menu is shown**

- + ► button:** The value for the selected item increases.
- ◀ button:** The value for the selected item decreases.

**• When no menu is shown**

**Press the + ► button and - ◀ button at the same time:** QUICK ALIGNMENT is displayed on the screen and the quick alignment function works (TRACKING, PHASE, H. POS. and V. POS. are automatically adjusted). When the adjustment is finished, the display goes off automatically.

**Memo**

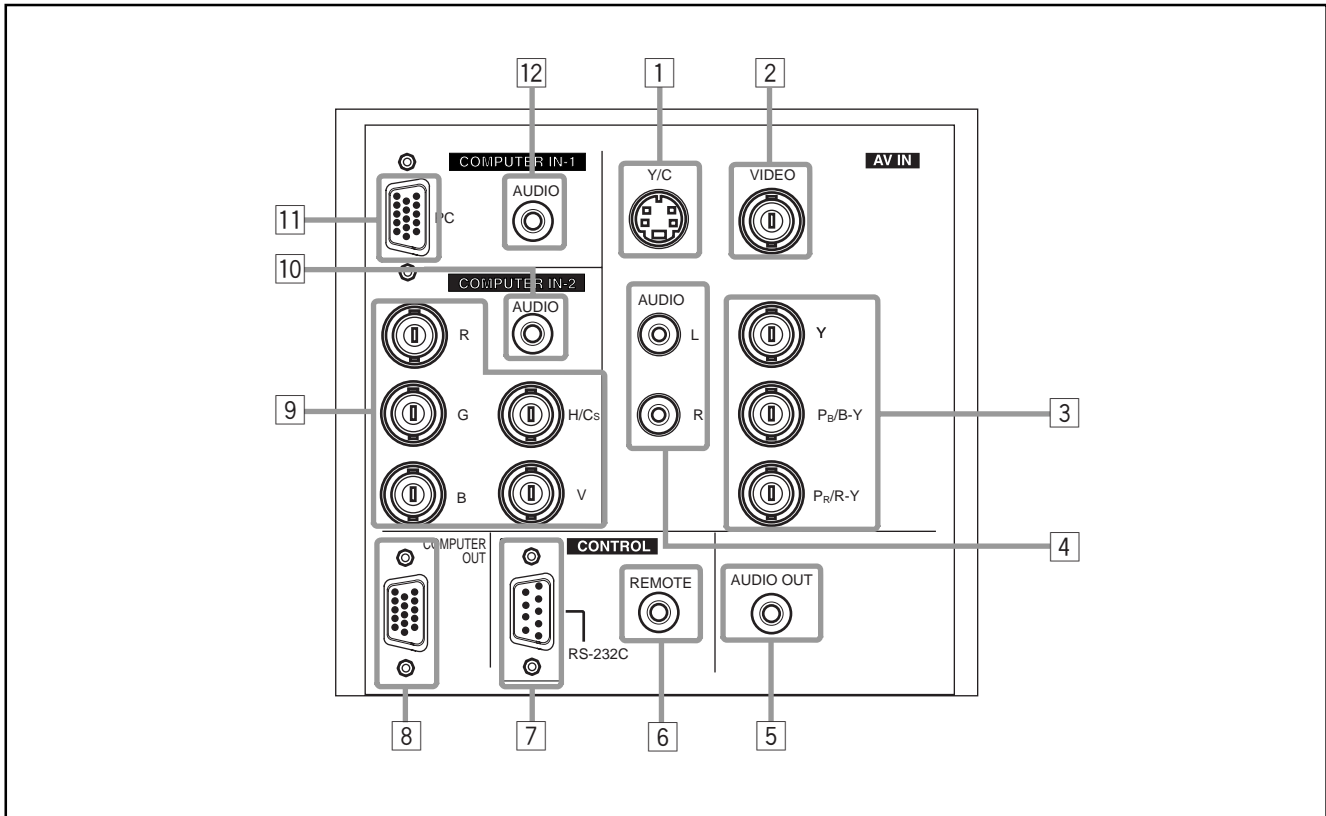
**The quick alignment function :**

- Works for computer input (COMPUTER- 1 and - 2 input terminals) signals.
- Does not work for video input (AV IN input terminal) signals.

**CAUTION**

- Automatic adjustment with the quick alignment function should be done on a bright still-picture screen. This function may not work correctly on a dark screen or motion-picture screen. If adjustment with this function is not satisfactory, adjust TRACKING, PHASE, H. POS. and V. POS. manually (see pages 31, 37 and 38).

# Connector Panel



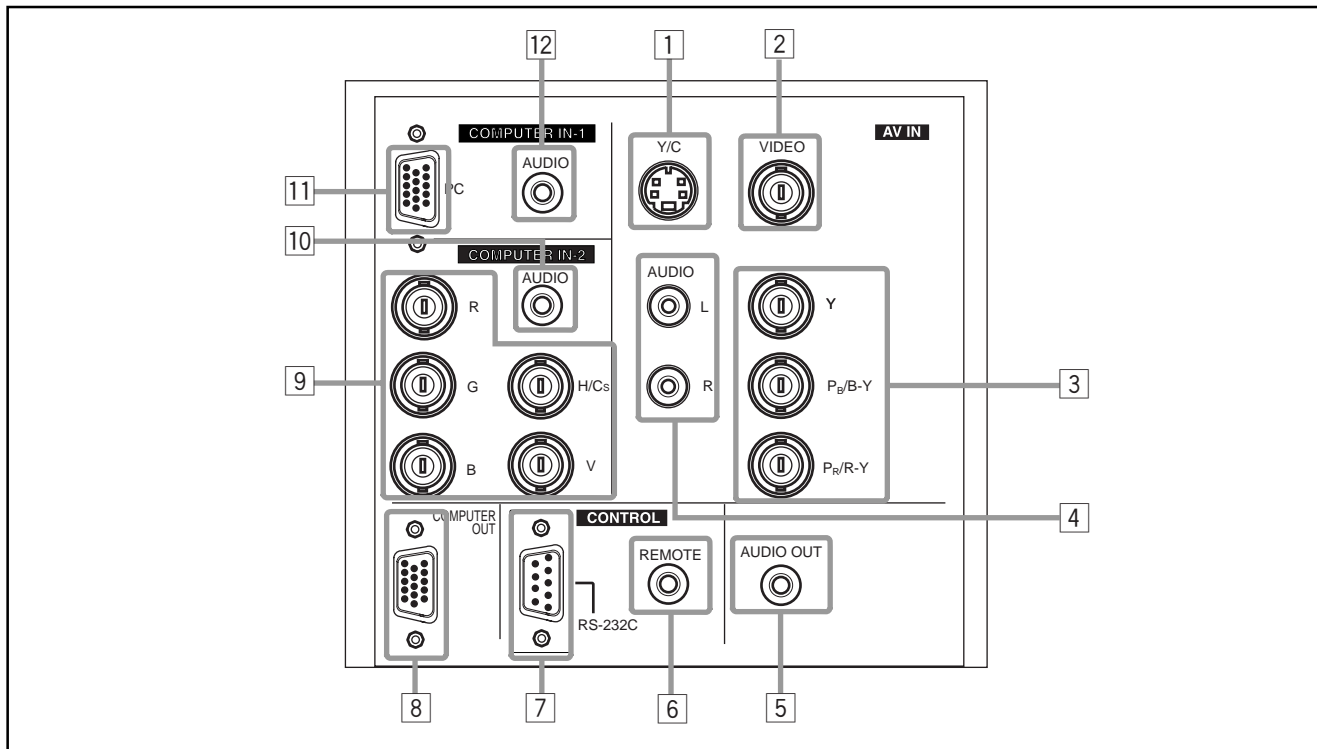
- 1 Y/C (S video) input terminal (Mini DIN 4 pin)**  
 Connect this terminal to the S video output terminal of a video deck, etc.
- 2 VIDEO (composite video) input terminal (BNC)**  
 Connect this terminal to the composite video output terminal of a video deck, etc.
- 3 Y, P<sub>B</sub>/B-Y, P<sub>R</sub>/R-Y input terminals (BNC)**  
 These are input terminals for component (Y, B-Y, R-Y) signals or DTV-format (Y, P<sub>B</sub>, P<sub>R</sub>) signals. Device with component output terminals can be connected.  
 \* For details about DTV-format signals (480i, 480p, 720p, 1080i) compatible with this unit, refer to page 56.
- 4 AUDIO L/R (Audio • left/right) input terminals (pin jacks)**  
 Of devices connected to the video input terminals, such as a video deck, etc., the audio output terminals of the device to be projected is connected to these terminals. The input audio signal is reproduced by the speakers of the projector. The signal is also output from the AUDIO OUT terminal of the projector.  
 \* When the input signal is stereo signal, connection should be made to both L and R.  
 \* Signals from a monaural device should be connected to only L. That way, the projector's speakers and the AUDIO OUT terminal produce the same sound from both L and R.
- 5 AUDIO OUT (audio output) terminal (stereo mini jack)**  
 Of input signals inputted to the projector, the audio signal of the device being projected is output. Volume should be adjusted using the VOL. (+/-) buttons on the remote control or VOLUME on the setting menu. When a cable is connected to this jack, no audio sound is produced from the projector's speakers.
- 6 REMOTE terminal (mini jack)**  
 Connect an infrared remote control extension unit, etc. to this jack.  
 \* For details, consult your dealer.
- 7 RS-232C terminal (D-sub 9 pin)**  
 This is a RS-232C interface-specified terminal. This projector can be controlled by a computer connected externally.  
 \* For details, consult your dealer.
- 8 COMPUTER OUT (computer output) terminal (D-sub 3-row 15 pin)**  
 The computer input signal projected on the screen is output. A display unit can be used by connecting it to this terminal.

**Memo**

**To select the proper audio input for video input:**  
 The video input terminals (AV IN input terminals) can be switched with the projector's or remote control's VIDEO button. However, since this projector has only single audio input terminal, reconnect audio input in accordance with the AV device to be used.

ENGLISH

**Connector Panel (Cont.)**



**9 COMPUTER IN (computer input) -2 terminal (BNC)**  
 These are input terminals for analog RGB signals, vertical sync (V) signals, and horizontal sync (H) signals / composite signals (Cs). Devices which have analog RGB signal output terminals can be connected.  
 \* **Input of external sync signals is automatically detected.**  
 Detection of H/V signals or Cs signals causes automatic switch to external sync. The priority order is H/V > Cs.

**Note**

- DTV-format (480i, 480p, 720p, 1080i) signals can be input. When the source is set to "AUTO", signals of 480i and 1080i can automatically be detected, but 480p and 720p signals can not be detected. To be able to input 480p or 720p signal, the source should be set to a dedicated source mode "SDTV(480p)" or "HDTV1(720p)". For setting the source, refer to "Changing (setting) the source" on page 46.

**CAUTION**

- When computer-related signals are input, the uppermost edge of the screen may appear bowing if the sync signal input is composite sync (Cs) or G on sync signal. In that case, use separate sync signals for vertical sync (V) and horizontal sync (H).

**10 AUDIO input terminal (stereo mini jack)**  
 This is an audio input terminal for COMPUTER IN (computer input) -2 terminal. Connect the audio output signal of a device connected to COMPUTER IN (computer input) -2 terminal.  
 \* When input to COMPUTER -2 is selected, the audio signal input is reproduced by the projector's speakers. Also, signals can be output from the AUDIO OUT (audio output) terminal.  
 (However, if a cable is connected to AUDIO OUT (audio output) terminal, audio sound does not come out from the projector's speakers.)

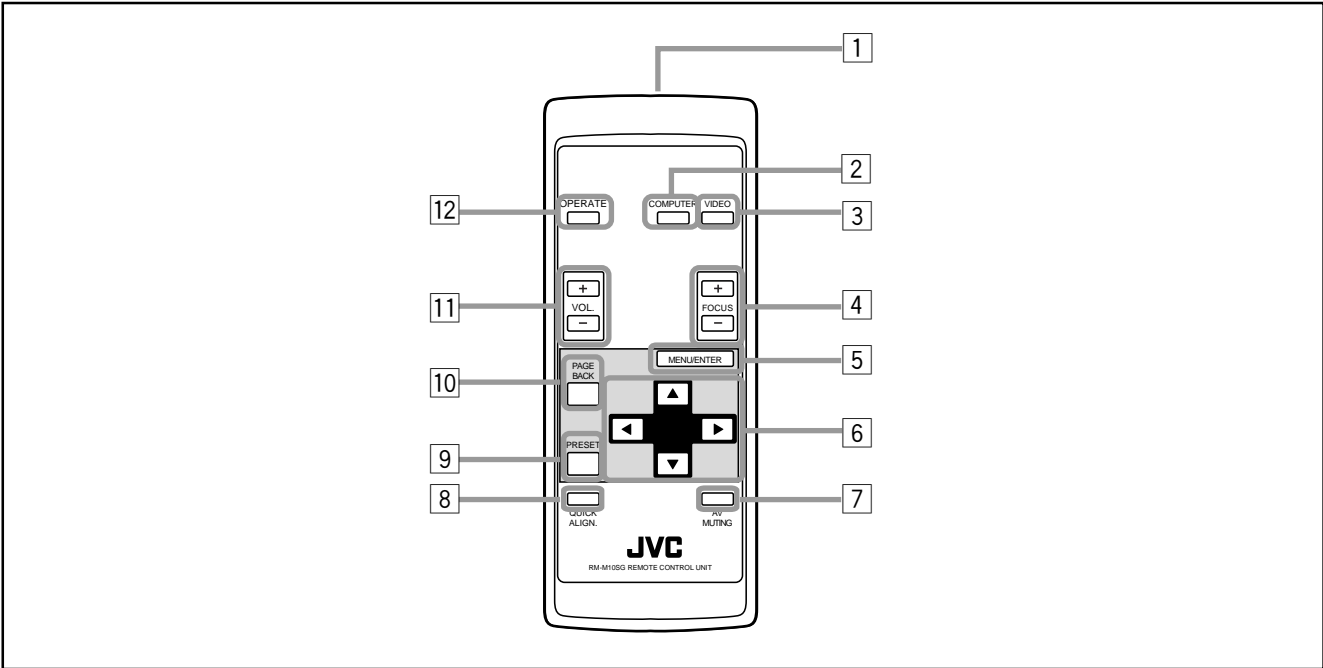
**11 COMPUTER IN (computer input) -1 terminal (D-sub 3-row 15 pin)**  
 This is an input terminal (PC) dedicated for computer signals (RGB video signals and sync signals). Connect the display output terminal of the computer to this terminal. When a Macintosh computer is to be connected, use the Conversion adapter for Mac supplied.

**CAUTION**

- When computer-related signals are input, the uppermost edge of the screen may appear bowing if the sync signal input is composite sync (Cs) or G on sync signal. In that case, use separate sync signals for vertical sync (V) and horizontal sync (H).

**12 AUDIO (audio) input terminal (stereo mini jack)**  
 This is an audio input terminal for COMPUTER IN (computer input) -1 terminal. Connect the audio output signal of a device connected to COMPUTER IN (computer input) -1 terminal.  
 \* When input to COMPUTER -1 is selected, the audio signal input is reproduced by the projector's speakers. Also, signals can be output from the AUDIO OUT (audio output) terminal.  
 (However, if a cable is connected to AUDIO OUT (audio output) terminal, audio sound does not come out from the projector's speakers.)

# Remote Control Unit



**1 Remote control's signal transmitter**

**2 COMPUTER button**

Use this button to select the devices connected to the projector's COMPUTER IN (computer input) -1 and -2 input terminals. Each time you press the button, the selection changes as follows:



**3 VIDEO button**

Use this button to select the devices such as a video connected to the projector's AV IN (AV input) terminal. Each time you press the button, the selection changes as follows:



**4 FOCUS (+/-) button**

Use these buttons to adjust the focus of the projected video.  
 +: The focus point becomes more distant.  
 -: The focus point becomes nearer.

**5 MENU/ENTER button**

Use this button to display the main menu. While the main menu is displayed, pressing this button displays a details setting (submenu) for items with details settings.

**6 Cursor (▲/▼/◀/▶) button**

While the main menu is displayed, use these buttons to select an item to adjust or make adjustment.

**7 AV MUTING (On/Off) button**

Use this button to turn off the video image and audio sound temporarily. Pressing it again makes the video image and audio sound to resume.

**8 QUICK ALIGN. (Quick Alignment) button**

Use this button to automatically adjust TRACKING, PHASE, H. POS. and V. POS. of the projected video. During the automatic adjustment, QUICK ALIGNMENT appears on the screen, and disappears after it is finished.

**Memo**

**Quick alignment function:**  
 Does not work for video input (AV IN input terminal) signals. Works only for computer-related (COMPUTER-1 and-2 input terminals) signals.

**CAUTION**

- Automatic adjustment with the quick alignment function should be done on a bright still-picture screen. This function may not work correctly on a dark screen or motion-picture screen. If adjustment with this function is not satisfactory, adjust TRACKING, PHASE, H. POS. and V. POS. manually (see pages 31, 37 and 38).

**9 PRESET button**

While making adjustment on the main or setting menu, use this button to reset the setting of the selected item to the factory-set value. This button works only for numerical settings and does not work for switching ON to OFF.

**10 PAGE BACK button**

While a details setting is displayed, use this button to go back to the previous page.

**11 VOL. (Volume) (+/-) button**

Use these buttons to adjust the sound volume:  
 +: Increase the volume level.  
 -: Decrease the volume level.

**12 OPERATE button**

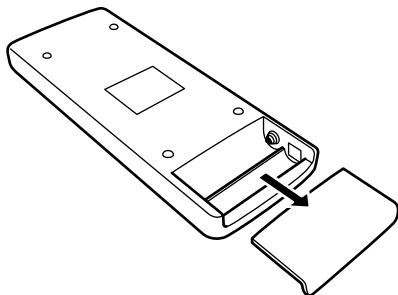
To turn on the power, press this button for one second or more.  
 \* About 30 seconds after the power has turned on, video image will appear on the screen.

### Installing Batteries

Install batteries in the remote control. If the remote control has started to work erratically, replace the batteries.

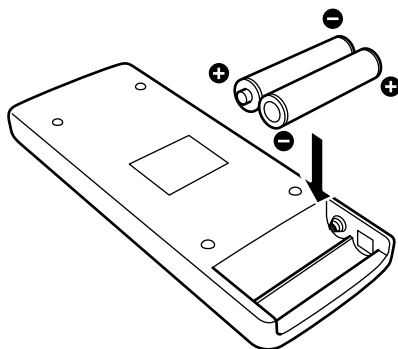
#### 1 Open the back cover.

While pushing on the back cover, slide it in the direction of the arrow.



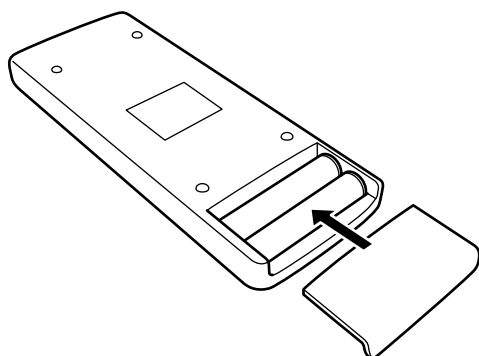
#### 2 Install the batteries.

Place the two batteries (AAA/R03-size) supplied in the remote control as illustrated below.



#### 3 Close the back cover.

Slide the back cover in the direction of the arrow until a click is heard.



#### Precautions for using batteries

If batteries are used incorrectly, they may crack or leak liquid. This could cause a fire, burn, malfunction, or staining or damaging the surrounding.

##### Beware of the following:

- Do not mix new and old batteries.
- Do not mix different types of batteries as they differ in characteristics.
- Place batteries so they match the polarities indicated: (+) to (+) and (-) to (-).
- Be sure to put the minus (-) end in first to avoid short-circuiting.
- Use only designated batteries.
- Remove the batteries if not used for a prolonged period of time.
- When the batteries are exhausted, replace them immediately. Otherwise, liquid could leak, or malfunction could occur due to leaked liquids. If the leaked liquid contacts the skin, wipe it off with a cloth, otherwise the skin could become rough.
- Do not put batteries into fire or try to recharge them.
- Batteries run for six months to one year in normal use. But the batteries supplied are for confirming operation and may not run that long. When the remote control starts failing to work properly, replace the batteries with new ones.

# Installing the Projector

## Precautions for Installation

### CAUTION

**Do not install the projector in the following places :**

- There is much water, humidity or dust.
  - The projector may be subjected to oil smoke or cigarette smoke.
  - On a soft surface such as a carpet or cushion.
  - The projector may be subjected to direct sunlight.
  - Temperature is high or humidity is low.
- Allowable operation temperature range: + 5°C to + 35°C (41°F to 95°F)  
Allowable relative humidity range: 20% to 80% (no condensation)  
Allowable storage temperature range: -10°C to +60°C (14°F to 140°F)

### ■ When installing the projector, observe the followings:

- **Do not use the projector placed on its side.**

Avoid using the projector placed on its side. This could cause a malfunction.

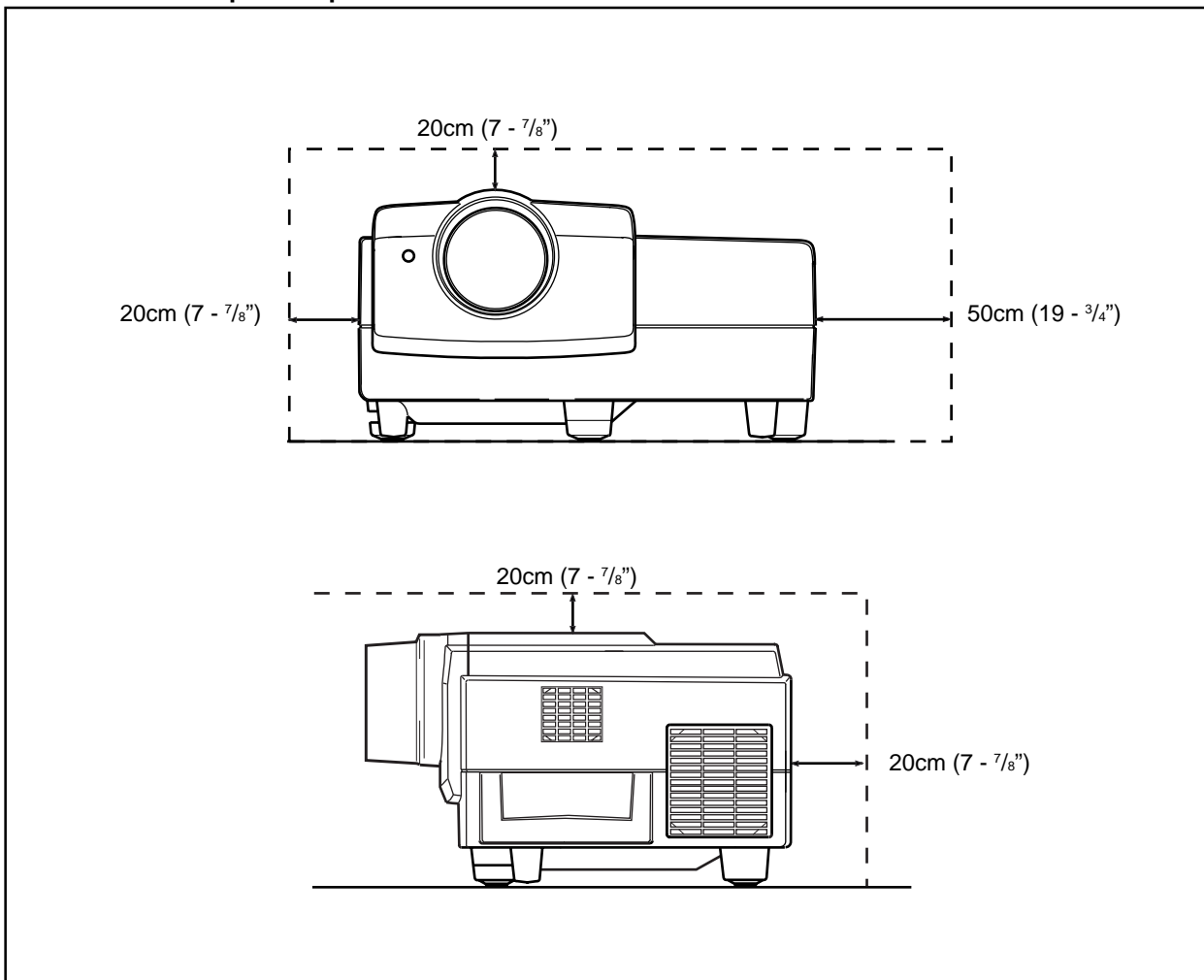
- **Use the projector within the installed angle.**

Avoid using the projector inclined  $\pm 30^\circ$  or more right-to-left or left-to-right. This could cause color variation or harm the lamp life.

- **Do not block the exhaust vents.**

Do not use a cover which encloses the projector air-tight or blocks the exhaust vents. Allow sufficient space around the projector. When the projector is enclosed in a space of the following dimensions, use an air conditioner so the temperature inside becomes equal to the outside temperature.

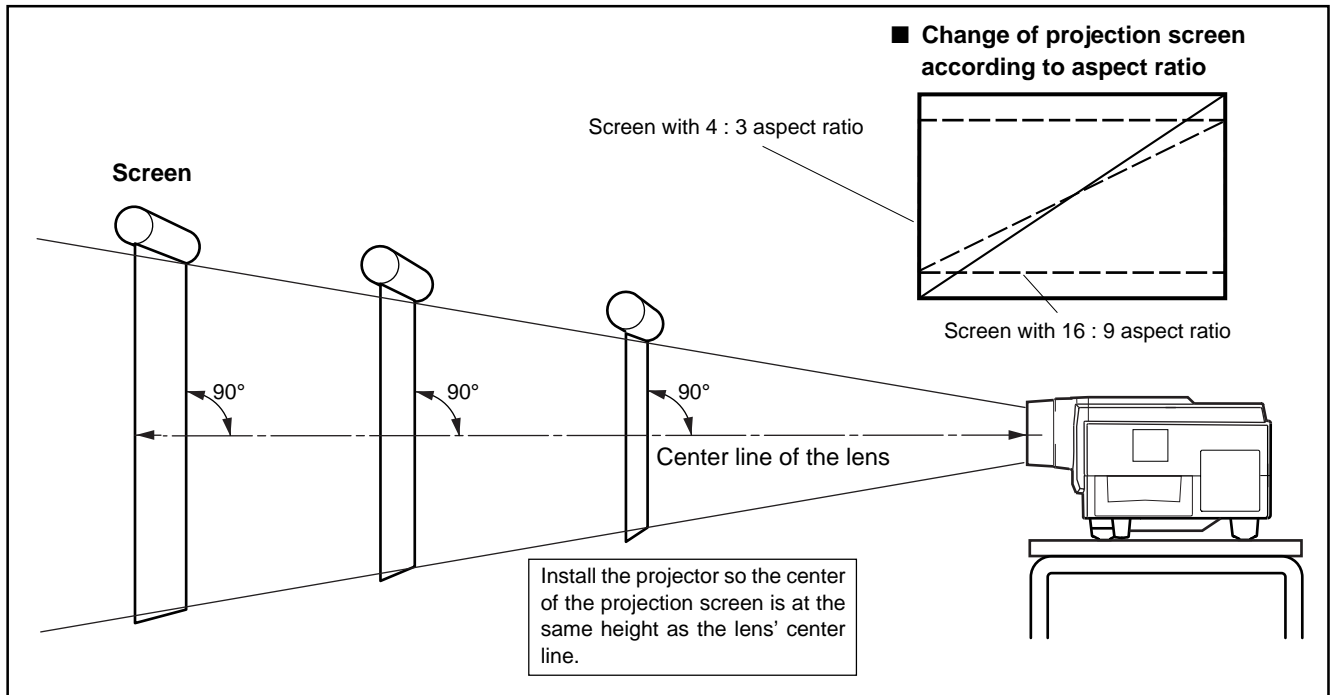
### Allowable minimum space required





**Projection Distance and Screen Size**

- This projector uses a fixed focal length lens.
- The projection distance that can be focused is approx. 0.76 to 4.14 m. Install the projector within this range.



Projection screen size (diagonal length)	Projection distance	
	When screen aspect ratio is 4 : 3	When screen aspect ratio is 16 : 9
36.7" (approx. 93 cm)	—————	approx. 2.49 ft (0.76 m)
50" (approx. 127 cm)	approx. 3.15 ft (0.96 m)	approx. 3.44 ft (1.05 m)
100" (approx. 254 cm)	approx. 6.46 ft (1.97 m)	approx. 7.09 ft (2.16 m)
150" (approx. 381 cm)	approx. 9.74 ft (2.97 m)	approx. 10.69 ft (3.26 m)
200" (approx. 508 cm)	approx. 13.06 ft (3.98 m)	—————

\*Also, refer to the table of "Relationship Between Projection Distances and Projection Screen Sizes" on page 17 as a reference.

**CAUTIONS and NOTES**

- Install the screen so the center of the projected picture aligns with the extended center line of the projector's lens. That way, the center of the picture projected on a 4 : 3 aspect ratio screen aligns with the extended center line of the lens. Also, the screen must be at right angles with the extended center line of the lens (so that projection occurs at right angles with the screen).
- When installing the screen, use a 4 : 3 aspect ratio picture.  
(A 16 : 9 aspect ratio picture is projected based on the width of the range in which a 4 : 3 aspect ratio picture is projected.)
- The diagonal length of a 16 : 9 aspect ratio picture is about 91.8% that of a 4 : 3 aspect ratio picture. This value is a guide and should be used as a reference.
- If sunlight or lamp light strikes the projection screen directly, the picture becomes whitish and dim. Be sure to use a curtain, etc. to shield the light.
- Trapezoidal distortion may not be corrected.  
Adjust the projector within the range of angle adjustment (up/down adjustment angle: +7°; horizontal adjustment angle: ±1.5°) so that it is set up level.
- The numeric values listed in the table of Relationship between Projection Distances and Screen Sizes on page 17 are provided only as a guide or reference. The projection sizes may vary within manufacturing tolerances of the projection lens.

### Relationship between Projection Distances and Projection Screen Sizes

■ Use the table below as a guide or reference when installing the projector.

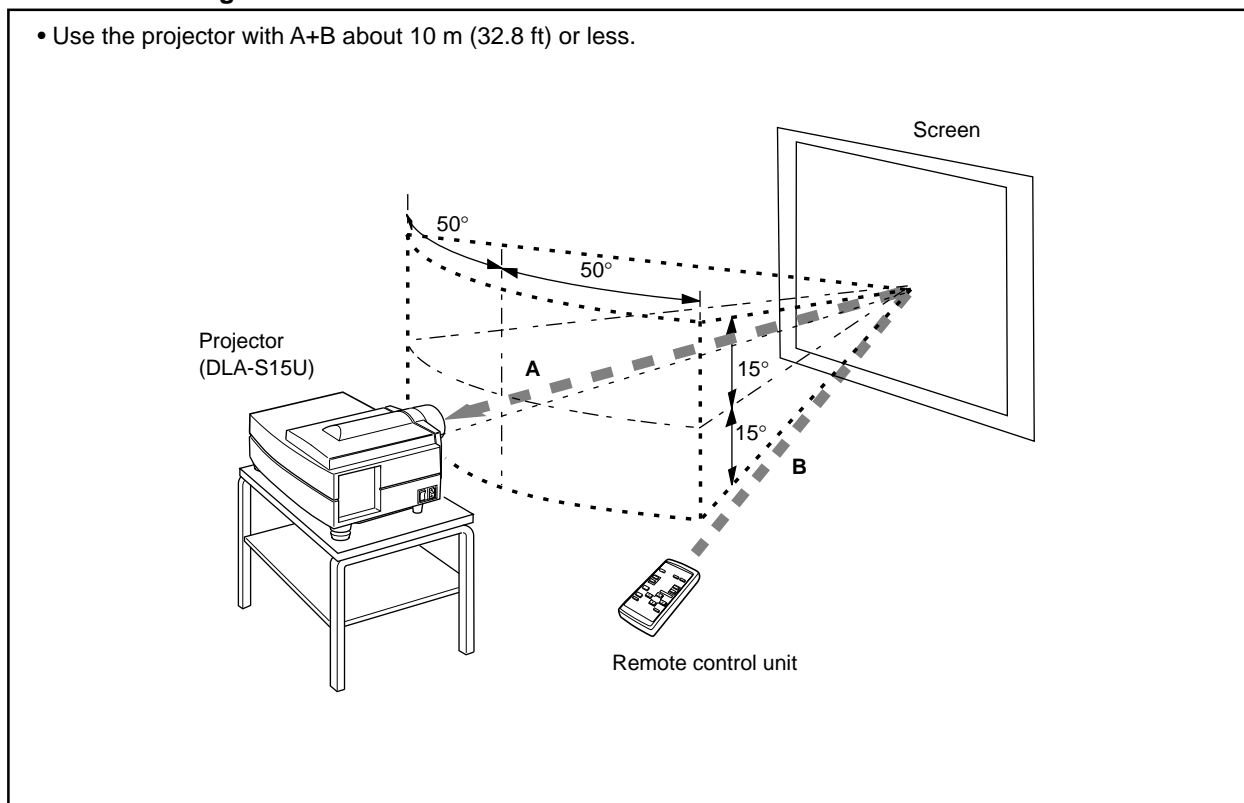
Projection screen size (diagonal length)	Projection distance	
	When screen aspect ratio is 4 : 3	When screen aspect ratio is 16 : 9
36.7" (approx. 93 cm)	—————	approx. 2.49 ft (0.76 m)
40" (approx. 101 cm)	approx. 2.49 ft (0.76 m)	approx. 2.72 ft (0.83 m)
50" (approx. 127 cm)	approx. 3.15 ft (0.96 m)	approx. 3.44 ft (1.05 m)
60" (approx. 152 cm)	approx. 3.81 ft (1.16 m)	approx. 4.17 ft (1.27 m)
70" (approx. 177 cm)	approx. 4.46 ft (1.36 m)	approx. 4.89 ft (1.49 m)
80" (approx. 203 cm)	approx. 5.12 ft (1.56 m)	approx. 5.64 ft (1.72 m)
90" (approx. 228 cm)	approx. 5.77 ft (1.76 m)	approx. 6.36 ft (1.94 m)
100" (approx. 254 cm)	approx. 6.46 ft (1.97 m)	approx. 7.09 ft (2.16 m)
110" (approx. 279 cm)	approx. 7.12 ft (2.17 m)	approx. 7.81 ft (2.38 m)
120" (approx. 304 cm)	approx. 7.76 ft (2.37 m)	approx. 8.53 ft (2.60 m)
130" (approx. 330 cm)	approx. 8.43 ft (2.57 m)	approx. 9.25 ft (2.82 m)
140" (approx. 355 cm)	approx. 9.09 ft (2.77 m)	approx. 9.97 ft (3.04 m)
150" (approx. 381 cm)	approx. 9.74 ft (2.97 m)	approx. 10.69 ft (3.26 m)
160" (approx. 406 cm)	approx. 10.43 ft (3.18 m)	approx. 11.42 ft (3.48 m)
170" (approx. 431 cm)	approx. 11.09 ft (3.38 m)	approx. 12.14 ft (3.70 m)
180" (approx. 457 cm)	approx. 11.75 ft (3.58 m)	approx. 12.86 ft (3.92 m)
190" (approx. 482 cm)	approx. 12.40 ft (3.78 m)	approx. 13.58 ft (4.14 m)
200" (approx. 508 cm)	approx. 13.06 ft (3.98 m)	—————

### Effective Range and Distance of the Remote Control Unit

The operable distance of the remote control unit is about 10 m (32.8 ft) for direct reception. The remote control can be used by having it reflected on the screen, etc. When you use the remote control by reflecting it at the screen, the total distance of A + B should be about 10 m (32.8 ft) or less. The operable angles of the remote control unit is 50° right to left, and 15° up and down.

#### The effective range and distance of the remote control unit

- Use the projector with A+B about 10 m (32.8 ft) or less.



#### Note

- Depending on the type of the screen used, the effective distance of the remote control may be reduced.

### Setting the position selecting screw for Ceiling Mounting

When using the projector in an upside-down, ceiling-mounted position (inverted top-to-bottom and right-to-left), the "position selecting screw for ceiling mounting" must be turned to switch to ceiling mounting.

This will correct variance in color images (shading), which otherwise would occur in ceiling mounting.

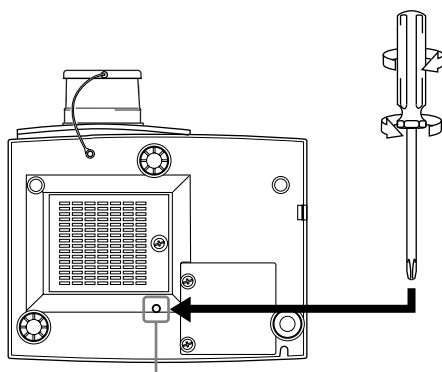
To revert to normal desktop setting, turn the "position selecting screw for ceiling mounting" back to the initial position (factory-shipped).

#### [When using the projector in an upside-down, ceiling mounting position (inverted top-to-bottom and right-to-left)]

- Turn the "position selecting screw for ceiling mounting" **counterclockwise fully** (until it is turning idly).

#### [To again use the projector in a normal desktop setting]

- Turn the "position selecting screw for ceiling mounting" **clockwise fully** (until it tightens firmly).



Position selecting screw for ceiling mounting

#### For normal desktop mounting:

Turn clockwise.

#### For upside-down, ceiling-mounting:

Turn counterclockwise.

#### CAUTIONS

- To ceiling-mount and adjust the projector, special expertise and technique are necessary. Be sure to ask your dealer or a specialist to perform this work.
  - To turn the "position selecting screw for ceiling mounting", use a Phillips screwdriver with a 30-mm or longer shank.
- The screw is located in the hole shown in the illustration.

# Connecting to Various Devices

- \* Before connection, be sure to turn off the projector and connected devices.
- \* Read the manual which comes with each device thoroughly.

## Signals that Can Be Input to the Projector

The following signals can be input to the projector:

### ■ Video signals

#### (1) Response to color systems

Color system Input terminal	NTSC	NTSC4.43	PAL	SECAM
VIDEO	○	○	○	○
Y/C	○	○* <sub>1</sub>	○	-----
Y, P <sub>B</sub> /B-Y, P <sub>R</sub> /R-Y	○* <sub>2</sub>	○* <sub>2</sub>	○* <sub>2</sub>	○* <sub>2</sub>
G, B, R, H/C <sub>s</sub> , V	○* <sub>2</sub>	○* <sub>2</sub>	○* <sub>2</sub>	○* <sub>2</sub>

\*<sub>1</sub> : Responds if Y/C output is available.

\*<sub>2</sub> : Signifies that component signals ("Y, P<sub>B</sub>, P<sub>R</sub>" / "Y, B-Y, R-Y" / "G, B, R, H/C<sub>s</sub>, V") conform to the signal timing (synchronization and video period) of each color system. The color systems are used for convenience only.

#### (2) Response to double density (\*1), high-vision signals

Input terminal	NTSC* <sub>2</sub>	PAL* <sub>3</sub>	High-vision signal
Y, P <sub>B</sub> /B-Y, P <sub>R</sub> /R-Y	○	○	○
G, B, R, H/C <sub>s</sub> , V	○	○	○

\*<sub>1</sub> : Signals whose density of scanning lines/field is twice as high.

\*<sub>2</sub> : Responds to signals whose horizontal scanning frequency is 31.5 kHz. NTSC can be made twice as dense by a line doubler (separately available: recommended article). Also, possible to respond to fully-specified, decoded wide-clear-vision signals and 525P progressive signals.

\*<sub>3</sub> : Responds to signals whose horizontal scanning frequency is 33.5 kHz. PAL can be made twice as dense by a line doubler (separately available: recommended article).

### Note

- DTV-format signals (480i, 480p, 720p, 1080i) can be input into this unit (Y, P<sub>B</sub>/B-Y, P<sub>R</sub>/R-Y input terminals). For details about DTV-format signals (480i, 480p, 720p, 1080i) compatible with this unit, refer to page 56.

### ■ Computer signals

- Signals with the following resolutions can be input to the input terminal of COMPUTER IN-1 (PC) or COMPUTER IN-2 (G, B, R, H/C<sub>s</sub>, V). (The following signals are preset.)

Screen resolution (standard name)	Horizontal frequency	Vertical frequency	Scanning method
640 × 400 (PC-9801)	24.8kHz	56.4Hz	Non-interlace
640 × 350 (VGA1)	31.5kHz	70.1Hz	Non-interlace
640 × 480 (VGA3)	31.5kHz	59.9Hz	Non-interlace
640 × 480 (Macintosh 13")	35.0kHz	66.7Hz	Non-interlace
640 × 480 (VGA VESA)	37.5kHz	75.0Hz	Non-interlace
800 × 600 (SVGA1)	37.9kHz	60.3Hz	Non-interlace
800 × 600 (SVGA2)	48.1kHz	72.2Hz	Non-interlace
832 × 624 (Macintosh 16")	49.7kHz	74.6Hz	Non-interlace
1024 × 768 (XGA1)	48.4kHz	60.0Hz	Non-interlace
1024 × 768 (XGA2)	56.5kHz	70.1Hz	Non-interlace
1024 × 768 (Macintosh 19")	60.2kHz	74.9Hz	Non-interlace
1152 × 870 (Macintosh 21")	68.7kHz	75.0Hz	Non-interlace
1280 × 1024 (SXGA1)	64.0kHz	60.0Hz	Non-interlace
1280 × 1024 (SXGA2)	70.8kHz	67.0Hz	Non-interlace
1360 × 1024 (SXGA3: Mac Board)	80.0kHz	75.1Hz	Non-interlace

### Notes

- Interlace signals are not handled.
- Some signals other than listed above can be displayed. But they require adjustment. Even some of the signals listed above may require adjustment depending on the video board used.
- When a signal other than listed above is input, the screen could be partially erased or an unneeded fold-over screen could appear.
- Even signals in the frequency range that can be input may not be displayed normally depending on the type of the signal.
- Composite sync.(Cs) and G on sync. signals can not handled depending on the devices connected.

## Connecting to Video Devices

**Before connection, be sure to turn off both the projector and video device.**

- Read the manual which comes with each video device thoroughly.
- Use the supplied AV connection cable. An AV connection cable with an S video terminal is not supplied.

S video cable  
(separately available)

BNC-RCA conversion plug (accessory)

To VIDEO

To AUDIO (L)

To AUDIO (R)

AV connection cable  
(accessory)

**Video devices**

- VCR (Video Cassette recorder)
- Laser video disc player
- Camcorder

**To select the proper audio input for video input**

The video input terminal (AV IN input terminal) can be switched with the VIDEO button. However, since this projector has only a single audio input terminal, reconnect audio input in accordance with the AV device to be used.

**Memo**

- When connecting a video device, use a TBC along with it, or one which has a built-in TBC.
- Use of an extension cable to connect a video device and the projector could cause video degradation.
- When a signal with much jitter is reproduced on a VCR or special-effect playback is performed, the upper part of the picture or the picture itself may be erased or distorted.

## Connecting to Hi-Vision Devices

**Before connection, be sure to turn off both the projector and Hi-Vision devices.**

- Read the manual which comes with each Hi-Vision device thoroughly.
- Use separately available BNC cables and audio cables to connect Hi-Vision devices.

To AUDIO (R)

To AUDIO (L)

Audio cable  
(separately available)

To VIDEO

To Y

To Pb/B-Y

To Pr/R-Y

BNC cable (separately available)

**Hi-Vision devices**

- W-VHS VCR
- Text/video camera
- Hi-Vision video camera

**To select the proper audio input for video input**

The video input terminal (AV IN input terminal) can be switched with the VIDEO button. However, since this projector has only a single audio input terminal, reconnect audio input in accordance with the AV device to be used.

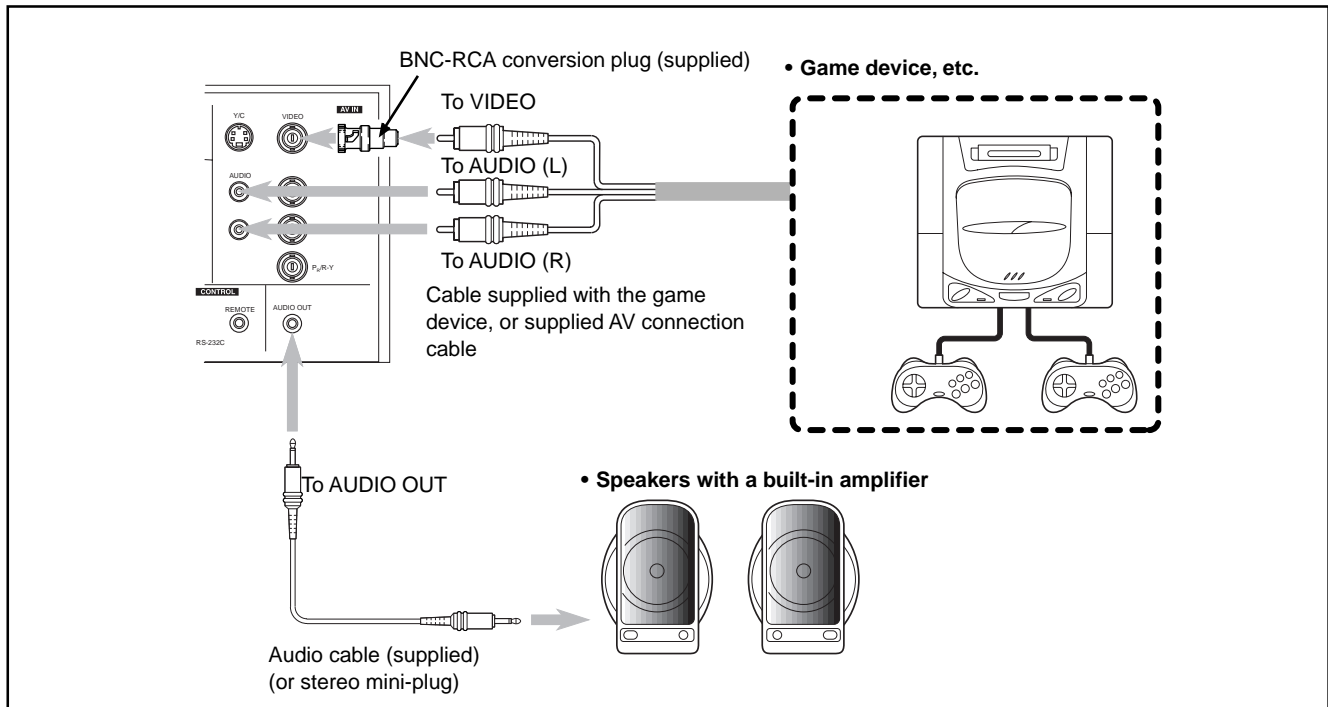
**Memo**

- Other devices with component signal output terminals (DVD player (NTSC), etc.) can be connected. (\*DVD: Digital Video Disc)
- DTV-format signals (480i, 480p, 720p, 1080i) can be input. For DTV-format signals that can be handled, refer to page 56.

## Connecting to Other Devices

Before connection, be sure to turn off both the projector and other devices to be connected.

- Read the manual thoroughly which comes with the device to be connected.
- Speakers with a built-in amplifier and game devices can be connected. Use the AV connection cable and audio cable supplied, or the cable supplied with a game device.



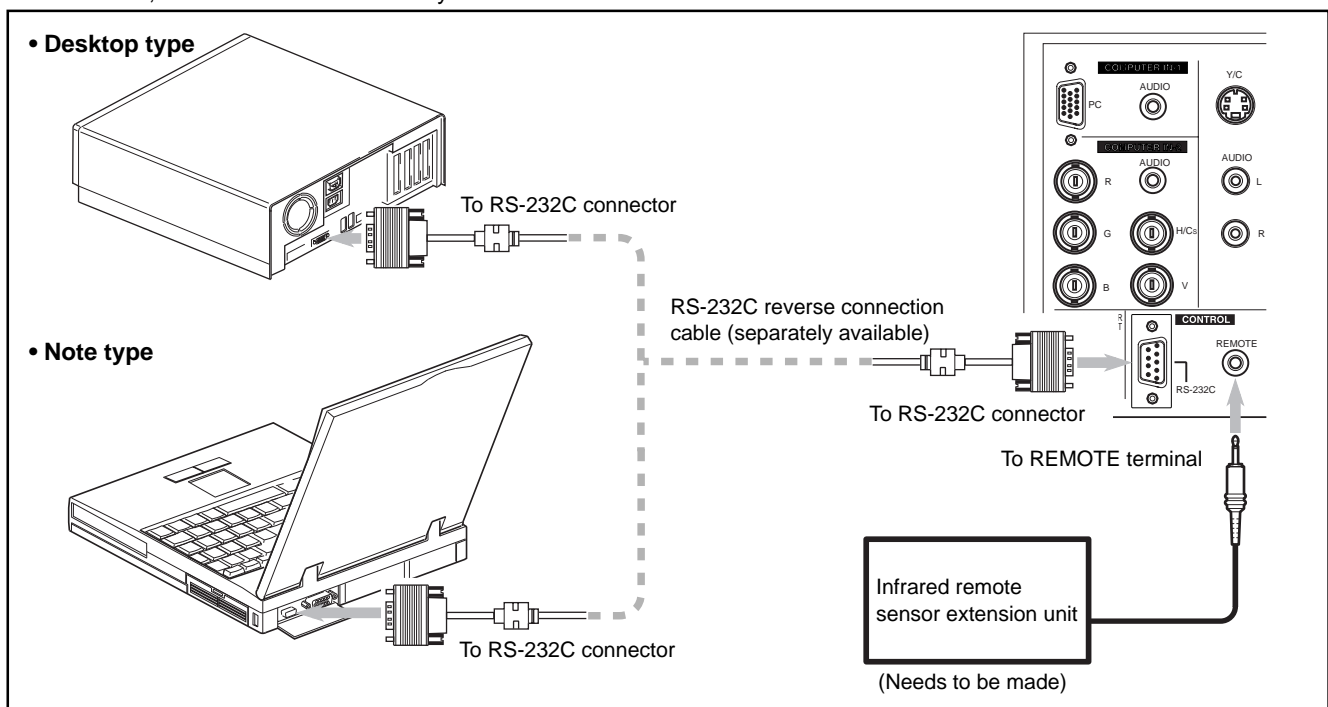
## Connecting to Devices which Control the Projector

Before connection, be sure to turn off both the projector and devices to be connected.

- Read the manual thoroughly which comes with each device to be connected.
- By connecting a computer to the RS-232C terminal, you can control the projector. Also, you can make an infrared remote sensor extension unit and connect it to the REMOTE terminal of the projector.

\* Obtain connection cables as required.

\* For details, consult a JVC-authorized your dealer or service center.



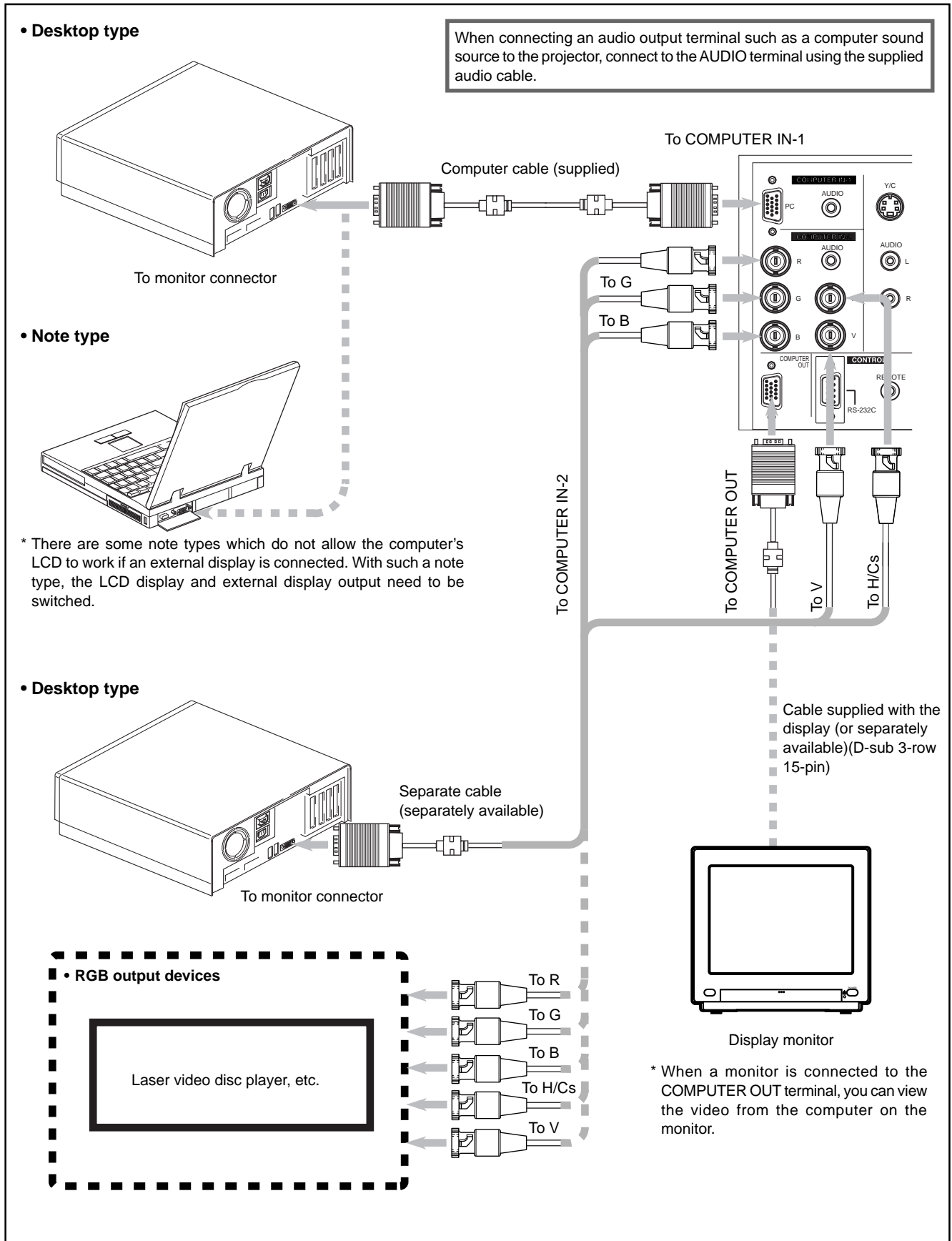
# Connecting to Computer Devices

Before connection, be sure to turn off both the projector and computer devices.

- Read the manual which comes with each device thoroughly.

## ■ Connection to an IBM PC or IBM-compatible computer

- Use the supplied computer connection cable. Also, prepare cables required for connecting the devices connected.



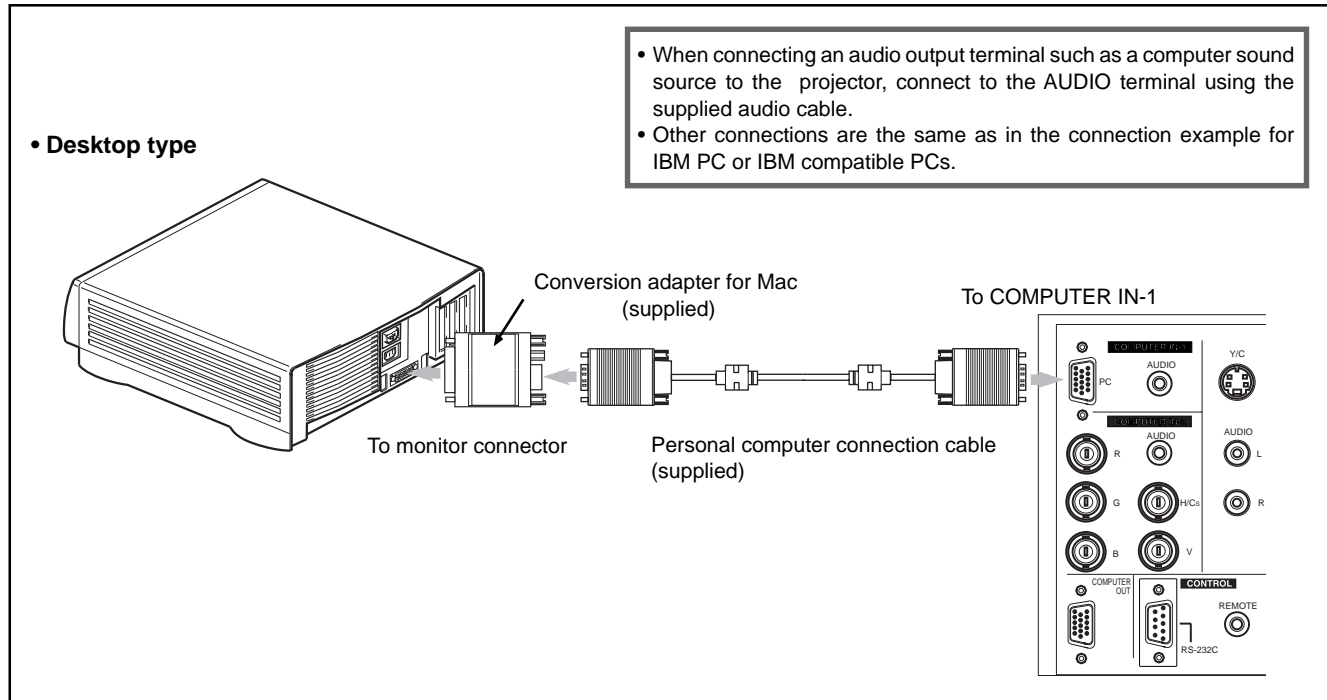
### Connecting to Computer Devices (Cont.)

Before connection, be sure to turn off both the projector and computer devices.

- Read the manual which comes with each device thoroughly.

#### ■ Connection to Macintosh

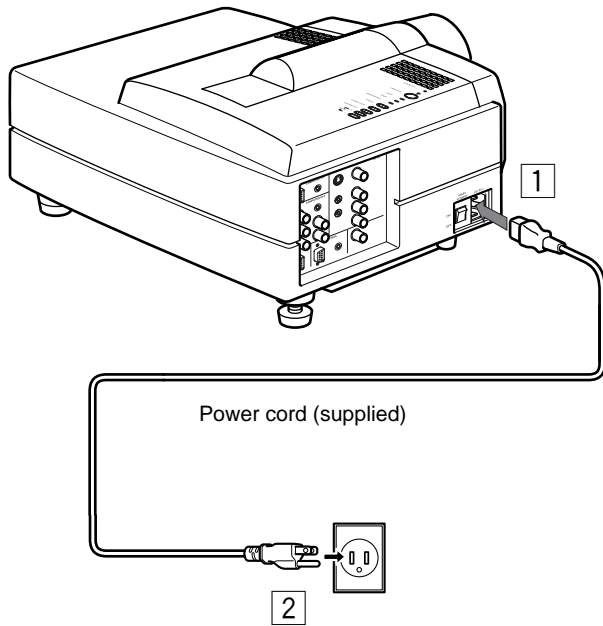
- Use the supplied Personal computer connection cable and the supplied conversion adapter for Mac.



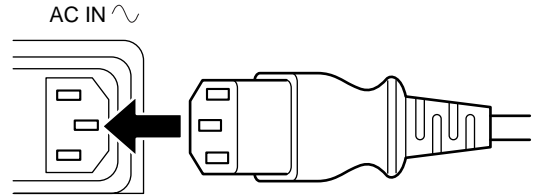


## Connecting the Power Cord (Supplied)

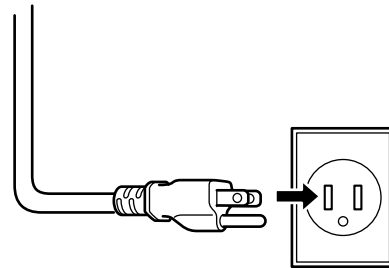
After all devices have finished being connected, connect the projector's power cord. At this time, do not turn on the MAIN POWER switch yet.



- 1 Insert the supplied power cord into the power input terminal (AC IN ~) of the projector.



- 2 Insert the plug of the supplied power cord into a wall outlet.



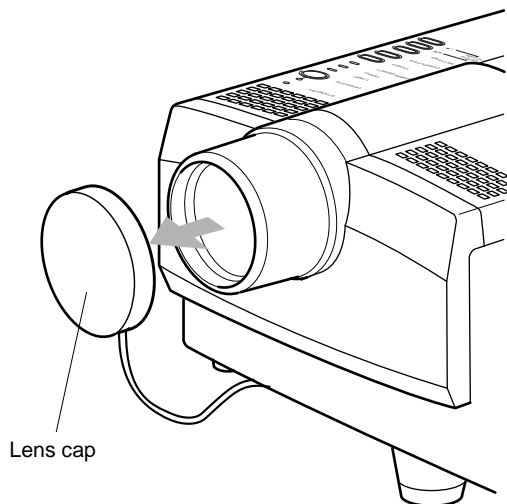
### CAUTIONS

**To prevent fire and electric shock, observe the following:**

- When you do not use devices, pull out their power cords from wall outlets.
- Do not connect the devices with power cords other than supplied.
- Do not use voltage other than the power voltage indicated.
- Do not scar, damage, or work on the power cords. Also, do not put a heavy object on, heat or pull the power cords, otherwise they may be damaged.
- Do not insert or pull out the plugs with a wet hand.

### CAUTION

- Since the power requirement of the projector is high, be sure to insert the power plug directly into a wall outlet.



### ■ To use the projector

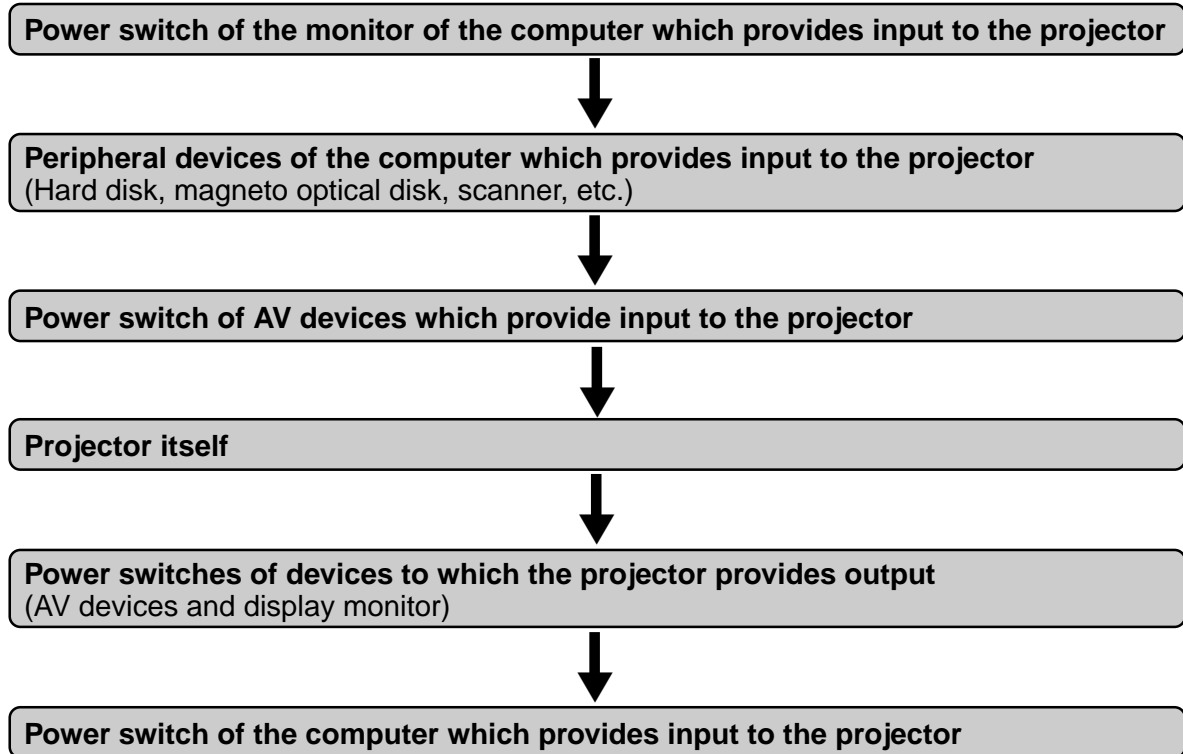
- Remove the lens cap.

\* The lens cap has a string attached and it is fixed to the projector.

Be sure to fit lens cap when not in use.

### When Turning On the Devices Connected to the Projector

Turn on the switches of the projector and the devices connected in the following order.  
Skip over unconnected devices if there is any.



\* When turning off the power switches, do so in the reverse order.

#### Memo

**When the OPERATE button is pressed but the power is not supplied:**

If the filter or lamp replacement opening cover is displaced, the power is not supplied. Check them for correct installation.

#### CAUTIONS and NOTES

**Do not turn off the MAIN POWER switch suddenly while the projector is being used or immediately after it has been used. This could cause a malfunction.**

- Since the projector uses a high-intensity lamp and is heated to high temperature, cooling fans are operating even during projection. So, after use, the cooling fans continue to run from when the OPERATE button is pressed until the light-source lamp is cooled down. During cooling, the STAND BY indicator blinks to alert the cooling fans are running. During this time, do not turn off the main power switch. After the cooling of the light-source lamp is finished (the fans stop) and the STAND BY indicator comes on, then turn off the main power switch.
- If you press the OPERATE button immediately after the light-source lamp lights, it takes about 40 seconds for the lamp to go off. To turn the lamp on again, wait 10 seconds or more before pressing the OPERATE button.

**When the TEMP indicator lights, the power turns off automatically.**

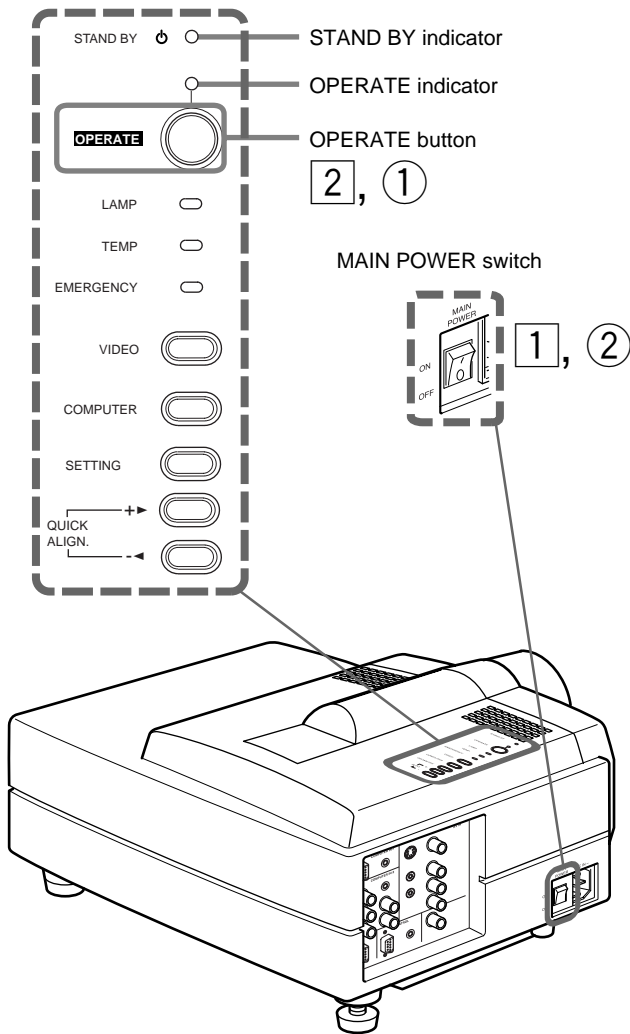
- While the light-source lamp is on, if an abnormal temperature rise is detected, the TEMP indicator comes on, the power is automatically cut off, and the projector's EMERGENCY indicator blinks (goes into an emergency mode).

**When the EMERGENCY indicator blinks, turn off the main power switch after the fans have stopped running.**

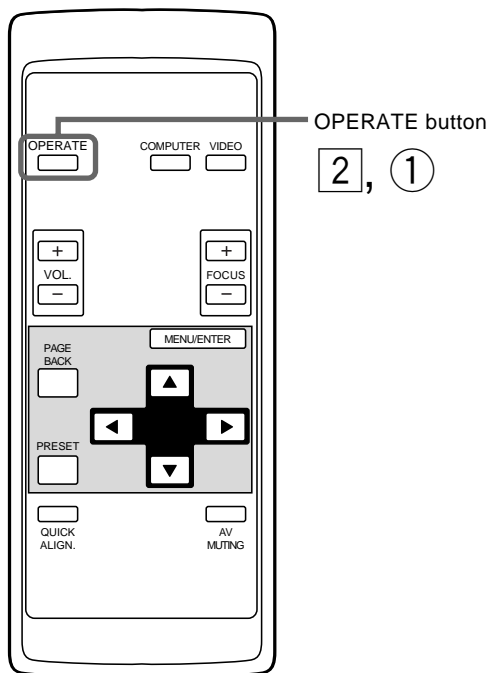
- If the following abnormality occur to the projector, it goes into an emergency mode (the EMERGENCY indicator blinks).  
When the projector goes into an emergency mode, it stops projecting automatically and runs the fans for about 20 seconds.
  - When the filter is dislodged.
  - When the filter is clogged.
  - When the light-source lamp suddenly goes off.
  - When the fans stop running.
  - When the temperature inside rises abnormally high.
- When the projector goes into an emergency mode:  
After the fans have stopped, turn off the MAIN POWER switch and pull out the power cord. After that, re-insert the power cord and try to operate the projector. If it goes into emergency again, after the fans have stopped, turn off the main power switch, pull out the power cord, and consult your JVC-authorized dealer or service center for repair.

# Basic Operations

## ■ Projector's buttons



## ■ Remote control unit



The following describes the basic procedure for normal use of the projector.

## 1. Turning on the Power

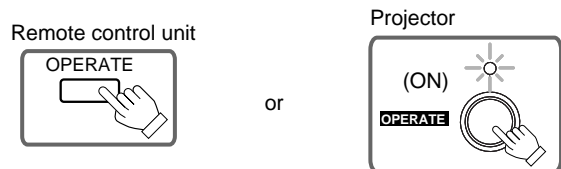
### 1 Turn on the MAIN POWER switch.

**ON [I]:** The main power turns on and the STAND BY indicator comes on.



### 2 Press the OPERATE button. (Or press the remote control's OPERATE button for one second or more.)

- The OPERATE indicator comes on.
- About 30 seconds after the MAIN POWER switch is turned on, you can start projecting.

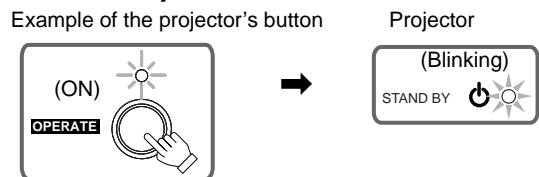


### Notes

- After the power is turned on, the screen may be jumbled for a few seconds, but this is not a malfunction.
- If the light-source lamp does not light up, try to press the OPERATE button again. (Or, press the OPERATE button on the remote control for more than a second.)

## ■ Turning off the Power

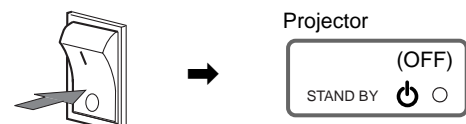
### 1 Press the OPERATE button. (Or press the remote control's OPERATE button for one second or more.)



- The STAND BY indicator changes to blinking, and the projector goes into cool-down mode.

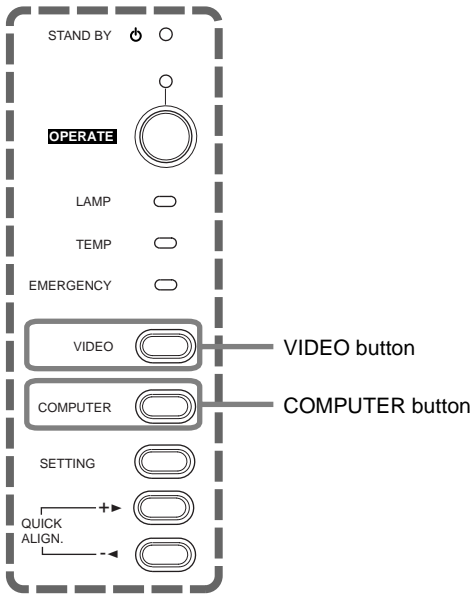
### 2 Turn off the MAIN POWER switch after the STAND BY indicator changes to steady on.

**OFF [O]:** The MAIN POWER switch turns off and the STAND BY indicator goes off.



\* Do not turn off the MAIN POWER switch during cool down mode (the STAND BY indicator blinking). Turn it off after the STAND BY indicator becomes on (stand-by mode).

## ■ Projector's buttons



## 2. Select the video input to be projected

### ■ Press the VIDEO button or the COMPUTER button to switch the input.

- Each time you press either button, the selected input changes as follows.

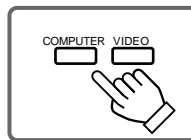
#### ■ When you press VIDEO:



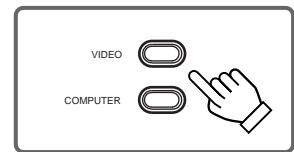
#### ■ When you press COMPUTER:



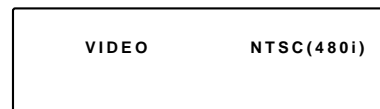
Remote control unit



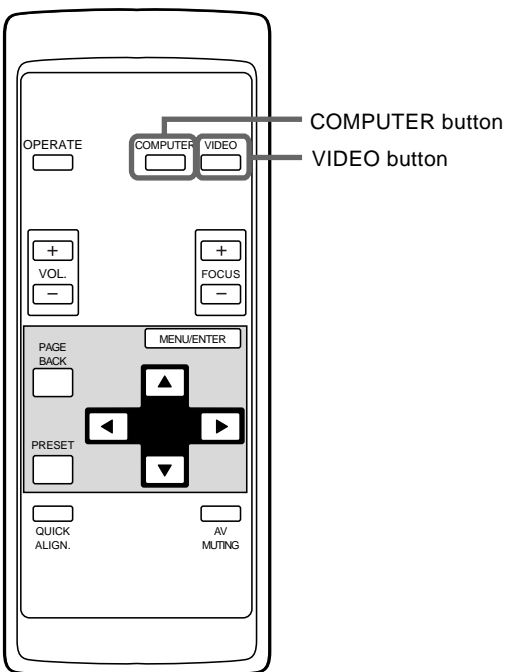
Projector



Screen display



## ■ Remote control unit



- \* When the input is switched, the line display (ex. VIDEO) and the source display (ex. NTSC(480i)) are shown on the upper part of the screen (they disappear in about five seconds). However, they will not be shown if LINE DISPLAY in "Setting and Adjusting Other Functions (OPTIONS)" on page 43 is set to OFF. (For setting the source, see page 46.)

### Note

#### • To select the proper audio input for video input

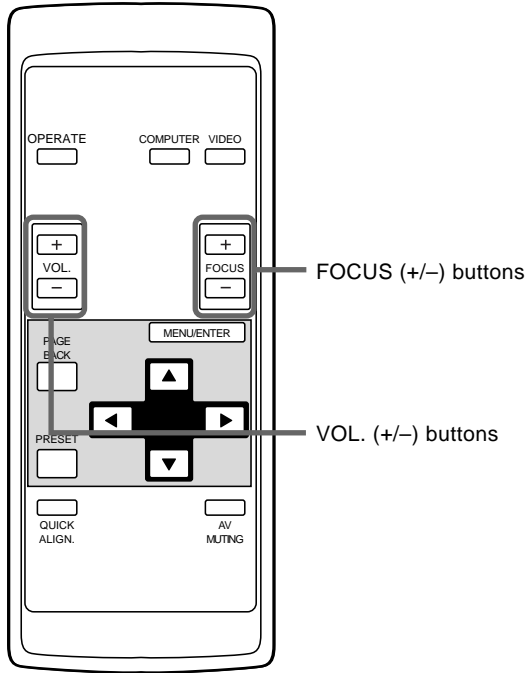
The video input terminal (AV IN input terminal) can be switched with the VIDEO button. However, since this projector has only a single audio input terminal, reconnect audio input in accordance with the AV device to be used.

### ATTENTIONS

- **DO NOT give any shock to this projector while operating it;** otherwise, the light-source lamp goes off (the EMERGENCY indicator lights up).

If the shock turns off the light-source lamp — **Turn off the power by pressing the MAIN POWER switch, then turn it on again. Now you can operate the projector as usual.**

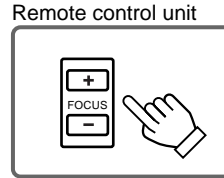
## Remote control unit



## 3. Adjust focus

### Adjust focus with the remote control's FOCUS (+/-) buttons.

- **To focus on farther points:**  
Press the FOCUS (+) button.
- **To focus on nearer points:**  
Press the FOCUS (-) button.



#### Note

- Focus adjustment can also be made on the setting menu. For operating the setting menu, refer to "Making Basic Settings" on page 31.

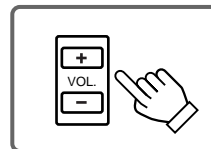
## 4. Adjust sound volume

### Adjust sound volume with the remote control's VOL. (+/-) buttons.

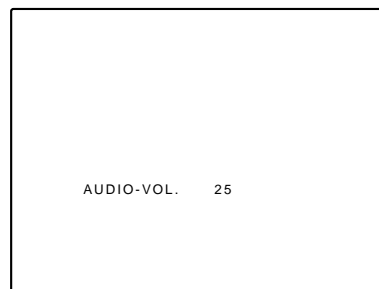
- **When you press the VOL. (+) button:**  
The sound volume becomes higher. (0 → 50)
- **When you press the VOL. (-) button:**  
The sound volume becomes lower. (50 → 0)

- When you press either button, the corresponding AUDIO-VOL. level is displayed on the screen (the display will disappear in about five seconds).

Remote control unit



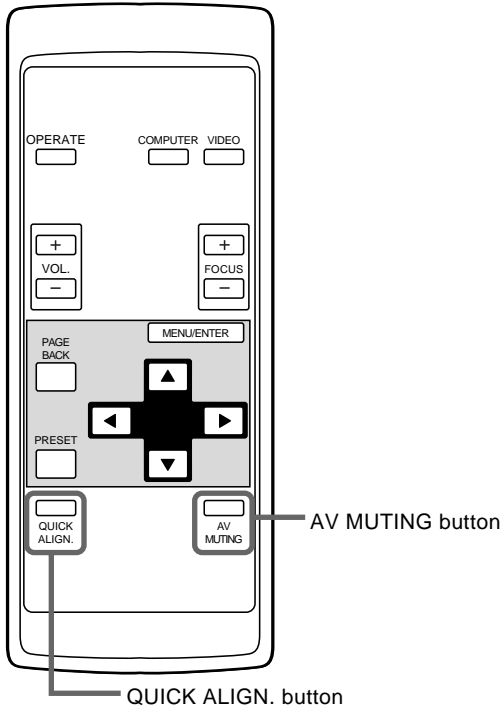
Screen display



#### Note

- Sound volume can be adjusted on the setting menu. For operating the setting menu, refer to "Making Basic Settings" on page 31.

## Remote control unit



## For Operating Other Functions

### To turn off video image and audio sound temporarily

Press the AV MUTING button.

#### Press once:

Video image and audio sound turn off (do not come out).

#### Press again:

Video image and audio sound come out again.

Remote control unit



### To use the quick alignment function

The quick alignment function is used to automatically adjust (set) the screen settings of "TRACKING, PHASE, H. POS. and V. POS." of computer system input video.

- Use either the remote control's or projector's button.

#### When using the remote control unit:

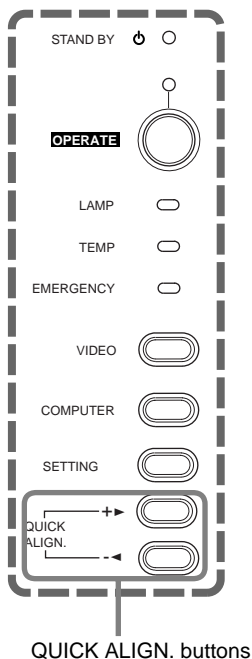
Press the QUICK ALIGN. button.

#### When using the projector:

Clear the menu display, and press the projector's QUICK ALIGN. "+>" and "<-" buttons at the same time.

\* During the automatic adjustment, "QUICK ALIGNMENT" appears on the screen and disappears automatically after the adjustment is completed.

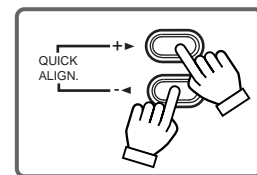
## Projector's button



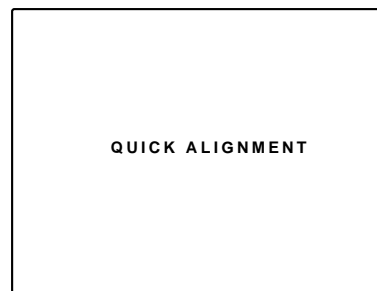
Remote control unit



Projector



Screen display



### Note

- This function works only for computer system inputs. It does not work for AV inputs.

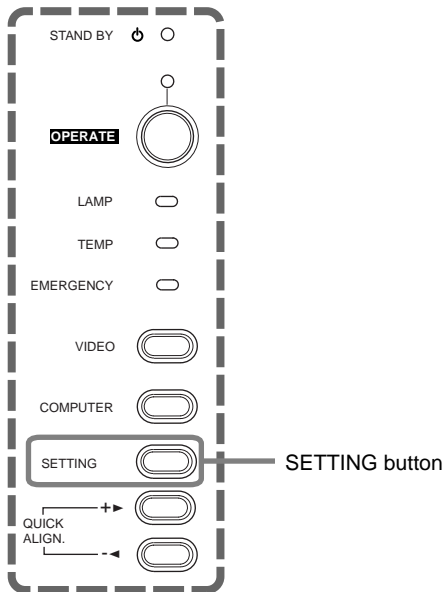
### CAUTION

- When performing automatic adjustment using the quick alignment function:

Use a bright, still-picture screen. It may not function correctly on a dark or motion-picture screen.

If the condition adjusted by using the quick alignment function is not good, manually adjust TRACKING, PHASE, H. POS. and V. POS. (see pages 31, 37 and 38).

## ■ Projector button



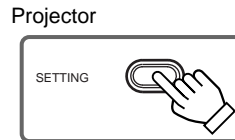
## ■ To display the SETTING menu

The setting menu is used to make basic adjustments and settings (TRACKING, PHASE, H. POS., V. POS., FOCUS, ZOOM\* and AUDIO-VOL.) of the video picture being projected after installation (connection) or after inputs are switched. For operating the setting menu, refer to “Making Basic Settings” on page 31.

\* “ZOOM” cannot be adjusted.

- **Press the projector’s SETTING button.**

The setting menu is displayed on the screen.



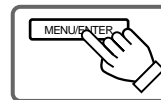
## ■ To display the MAIN menu

The main menu is used to adjust or set the projected video picture and the projector’s condition, etc. (PIXEL CLOCK, POSITION, PICTURE, SOUND, OPTIONS, SOURCE, DECODER and LANGUAGE). For operating the main menu, refer to pages 34 to 47.

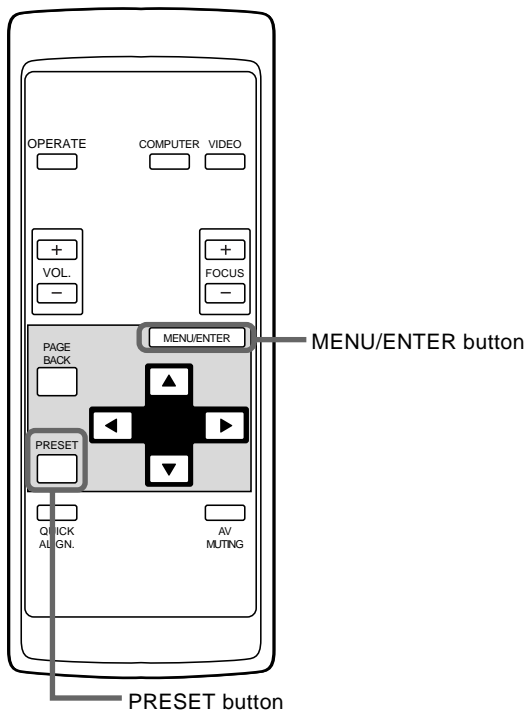
- **Press the remote control’s MENU/ENTER button.**

The main menu appears on the screen.

Remote control unit



## ■ Remote control unit



### Note

- **To change the menu language displayed**

English is set when the projector is shipped from the factory. The language displayed can be selected from the following six languages: 日本語 (Japanese), ENGLISH, DEUTSCH (German), ESPAÑOL (Spanish), ITALIANO (Italian), and FRANÇAIS (French). However, some words such as “QUICK ALIGNMENT” are displayed only in English. Pronouns such as line display and source display are similarly treated.

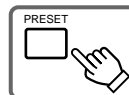
- **To use the remote control’s PRESET button**

The PRESET button is used for adjustments made on the main menu or setting menu.

- **When resetting only the selected settings to the factory-set values, press the remote control’s PRESET button.**

Only the selected item’s setting is reset to the factory-set value.

Remote control unit



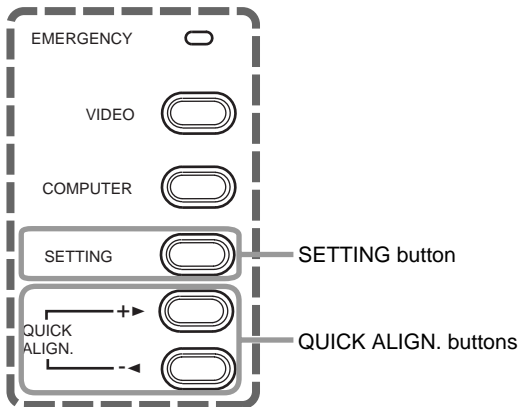
### Notes

- This button works only for numeric values. It does not work for switching between ON and OFF.
- For items such as PIXEL CLOCK (TRACKING and PHASE), POSITION (H. POS. and V. POS.), SOUND (TREBLE and BASS), both settings are reset at the same time.

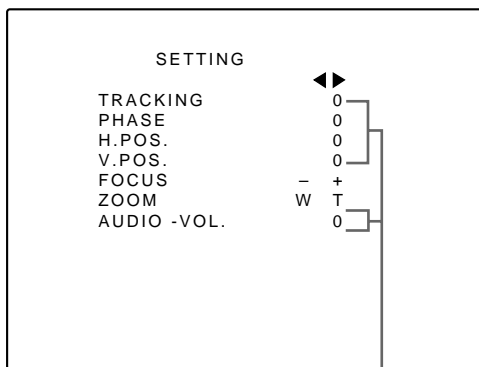
# Operating the Setting Menu

## Making Basic Settings

### Projector's buttons



### Setting menu



Adjustment • setting level

### Description of adjustment and setting items

- TRACKING** : If wide vertical stripes appear on the screen, adjust the lateral video size and display area so that they disappear. (-255 ↔ 0 ↔ +255)
- PHASE** : If characters on the screen flicker or become dim, adjust so they become clear. (-127 ↔ 0 ↔ +127)
- H. POS.** : If the screen position is displaced to the right or left, adjust the horizontal position of the screen. (-255 ↔ 0 ↔ +255)
- V. POS.** : If the screen position is displaced upward or downward, adjust the vertical position of the screen. (-120 ↔ 0 ↔ +120)
- FOCUS** : Adjust the focus of video picture.  
-: Focuses on near points.  
+: Focuses on farther points.
- ZOOM** : This projector does not have the ZOOM function. Though "ZOOM" appears on SETTING menu, it cannot be adjusted.
- AUDIO-VOL.** : Adjust the sound level. (0 ↔ 50)

Here, we make basic video adjustment and sound volume adjustment which are set up after installation (connection).

### Notes

- This adjustment menu (setting menu) can be displayed with only the projector's button. After displaying the setting menu, you can select or set (adjust) items with cursor buttons on the remote control unit.
- If settings and connections are changed, adjust and set those items again.
- After this adjustment (setting menu), if video picture adjustment is necessary by using the devices connected, perform the details setting and adjustment on the main menu (pages 34 to 47).
- For computer-related inputs, use of the quick alignment function allows automatic adjustment of TRACKING, PHASE, H. POS. and V. POS. (See pages 31, 37 and 38).
- Though "ZOOM" appears on SETTING menu, it cannot be adjusted.

## 1 Press the SETTING button of the projector.

- The setting menu is displayed on the screen.

## 2 Press the SETTING button to select the desired item.

- The selected item is shown in magenta color. Each time you press the button, the selected item changes as follows:



\* "ZOOM" cannot be adjusted.

### Memo

To select items using the remote control unit:

Items can be selected using the cursor buttons ▲ (backward) or ▼ (forward) on the remote control unit. In this case, menu clearing in the above order is not available. The selection changes from AUDIO-VOL to TRACKING directly.

## 3 Adjust and set the selected item using the QUICK ALIGN. buttons +▶ or -◀.

- To adjust and set multiple items, repeat steps 2 and 3.
- To reset the adjustment value of the selected item (TRACKING, PHASE, H. POS. or V. POS.) to the factory-set value, press the remote control's PRESET button. This button does not work for focus, zoom or sound volume.

### Memo

To adjust and set items using the remote control unit:

Items can be adjusted and set using the cursor buttons ◀ or ▶ on the remote control unit.

## 4 Clear the setting menu by pressing the SETTING button repeatedly.

### Memo

To clear the setting menu using the remote control unit:

You can also clear the setting menu by pressing the PAGE BACK button on the remote control unit.



# Operating the Main Menu

## Configuration the Main Menu (AV Input) For computer inputs, see the following page.

You can adjust video quality (PICTURE), audio quality (SOUND), etc. using the menus.  
The menus are configured as follows:

Main menu (AV inputs : During AV IN input signal)

PIXEL CLOCK	TRACKING	: Normally, no adjustment is required. The lateral size and display area of video image are adjusted.
	PHASE	: Normally, no adjustment is required. Flickering or dim video image is adjusted.
POSITION	V. POS.	: The vertical position of the video image being projected is adjusted.
	H. POS.	: The horizontal position of the video image being projected is adjusted.
PICTURE	BRIGHTNESS	: The brightness of the video image being projected is adjusted.
	CONTRAST	: The contrast of the video image being projected is adjusted.
	SHARPNESS	: The sharpness of the video image being projected is adjusted.
	COLOR	: The color density of the video image being projected is adjusted.
	TINT	: The tint of the video image being projected is adjusted. (Displayed only for NTSC signal)
	ALL RESET	: All the items adjusted are reset.
SOUND	TREBLE	: The treble of the audio sound being input is adjusted.
	BASS	: The bass of the audio sound being input is adjusted.
OPTIONS	MENU AUTO OFF	: Sets whether to turn off menu display automatically (YES) or not (NO).
	LINE DISPLAY	: Sets whether to make the line display effective (ON) or not (OFF) for about 5 seconds after input switching.
	RIGHT LEFT REV.	: Video image is reversed right-to-left (for upside-down hanging (ceiling)).
	TOP BOTTOM INV.	: Video image is inverted top-to-bottom (for upside-down hanging (ceiling)).
	CLAMP	: Sets the clamp pulse's position at the back porch (BP) or on the sink tip (ST). Normally, the clamp pulse is used at BP. If, with some PCs or workstations, the screen becomes unstable such as being too dark or too bright, try to switch to ST.
	RESIZE	: Does not work with AV (video) input. (RESIZE is shown in gray.)
	BACK COLOR	: Specifies the background color when there is no video signal. Background color can be selected from BLUE, CYAN, BLACK, GREEN, MAGENTA, RED, and YELLOW.
	COLOR TEMP.	: Adjusts the color temperature of the image being projected. Make adjustment when the image becomes reddish or bluish. Color temperature can be set to LOW, MIDDLE, or HIGH.
	ASPECT CHANGE	: Selects the vertical-to-horizontal ratio of the image projected. The factory-set ratio is 4 : 3. When projecting high-vision video image, a ratio of 16 : 9 can be selected.
	SLEEP TIME	: Sets the length of sleep time. A set sleep time after input signal is depleted, the projector goes into a stand-by state. Sleep time can be selected from 10 minutes, 20 minutes, 30 minutes, and 60 minutes.
	LAMP TIME	: Indicates the accumulated used hours of the light-source lamp.
	SOURCE	: Normally used in AUTO. If use in AUTO is unstable such as color not appearing, the screen being disturbed or the screen being intermitted, set to the dedicated source (forced mode) in accordance with the input signal.
DECODER	: Normally, set to AUTO. The color system of an input signal is automatically identified and shown in ( ). When use in AUTO is unstable such as no color being shown, set the dedicated color system in accordance with the input signal. You can select from AUTO, NTSC(480i), NTSC4.43, PAL, and SECAM.	
LANGUAGE	: Text on the screen can be changed to a language other than English. Languages that can be displayed are the following six : 日本語 (Japanese), ENGLISH, DEUTSCH (German), ESPAÑOL (Spanish), ITALIANO (Italian), and FRANÇAIS (French). However, some text such as "QUICK ALIGNMENT", etc. are shown only in English.	

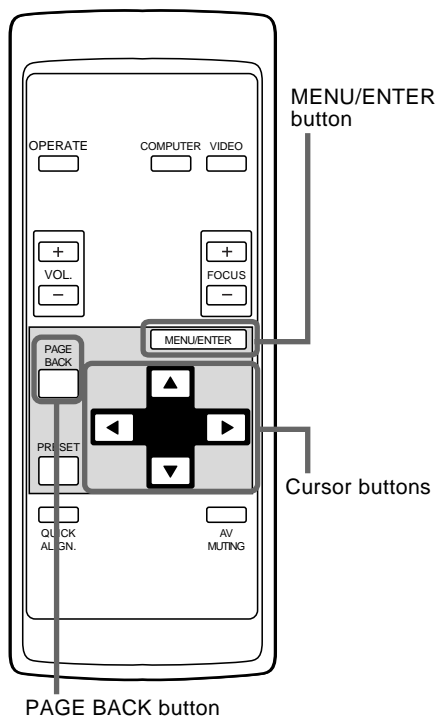
## Configuration of the Main Menu (Computer-related input)

Main menu (Computer-related inputs : During COMPUTER IN-1 or -2 input signal)

PIXEL CLOCK	TRACKING	: The lateral size and display area of video image are adjusted.
	PHASE	: Flickering or dim video image is adjusted.
POSITION	V. POS.	: The vertical position of the video image being projected is adjusted.
	H. POS.	: The horizontal position of the video image being projected is adjusted.
PICTURE	BRIGHTNESS	: The brightness of the video image being projected is adjusted.
	CONTRAST	: The contrast of the video image being projected is adjusted.
	R-GAIN	: The gain in red signal of the video image being projected is adjusted.
	G-GAIN	: The gain in green signal of the video image being projected is adjusted.
	B-GAIN	: The gain in blue signal of the video image being projected is adjusted.
	TEXT MODE	: Adjust easiness for reading text during RESIZE. NORMAL : Normal TEXT 1 : Display the outline of small letters already. TEXT 2 : Makes the outline of large letters sharp.
	ALL RESET	: All the items adjusted are reset.
SOUND	TREBLE	: The treble of the audio sound being input is adjusted.
	BASS	: The bass of the audio sound being input is adjusted.
OPTIONS	MENU AUTO OFF	: Sets whether to turn off menu display automatically (YES) or not (NO).
	LINE DISPLAY	: Sets whether to make the line display effective (ON) or not (OFF) for about 5 seconds after input switching.
	RIGHT LEFT REV.	: Image is reversed right-to-left (for upside-down hanging (ceiling)).
	TOP BOTTOM INV.	: Image is inverted top-to-bottom (for upside-down hanging (ceiling)).
	CLAMP	: Sets the clamp pulse's position at the back porch (BP) or on the sink tip (ST). Normally, the clamp pulse is used at BP. If, with some PCs or workstations, the screen becomes unstable such as being too dark or too bright, try to switch to ST.
	RESIZE	: When the number of pixels (resolution) sought by the video image input is smaller than that (resolution) of D-ILA device, the video image is then enlarged to a virtually full screen size of D-ILA device and projected. (Resizing indication)
	BACK COLOR	: Specifies the background color when there is no image signal. Background color can be selected from BLUE, CYAN, BLACK, GREEN, MAGENTA, RED, and YELLOW.
	COLOR TEMP.	: Adjusts the color temperature of the video image being projected. Make adjustment when the video image becomes reddish or bluish. Color temperature can be set to LOW, MIDDLE, or HIGH.
	ASPECT CHANGE	: Selects the vertical-to-horizontal ratio of the video image projected. The factory-set ratio is 4 : 3. When projecting high-vision image, a ratio of 16 : 9 can be selected.
	SLEEP TIME	: Sets the length of sleep time. A set sleep time after input signal is depleted, the projector goes into a stand-by state. Sleep time can be selected from 10 minutes, 20 minutes, 30 minutes, and 60 minutes.
	LAMP TIME	: Indicates accumulated used hours of the light-source lamp.
	SOURCE	: Normally used in AUTO. If use in AUTO is unstable such as color not appearing, the screen being disturbed or the screen being intermitted, set to the dedicated source (forced mode) in accordance with the input signal.
DECODER	: Does not work with computer-related inputs. (The color system is indicated in gray.)	
LANGUAGE	: Text on the screen can be changed to a language other than English. Languages that can be displayed are the following six : 日本語 (Japanese), ENGLISH, DEUTSCH (German), ESPAÑOL (Spanish), ITALIANO (Italian), and FRANÇAIS (French). However, some text such as "QUICK ALIGNMENT", etc. are shown only in English.	

# Operating the Main Menu (Basic Operation of the Main Menu)

## Remote control unit



For projector's menus, the setting menu and the main menu are available.

Here, we explain about the operation of the main menu. (see pages 34 to 47)

For the setting menu, refer to "Making Basic Settings" on page 31.

### 1 Press the MENU/ENTER button.

- The main menu is displayed on the screen.

### 2 Select an item with the cursor button ▲ or ▼.

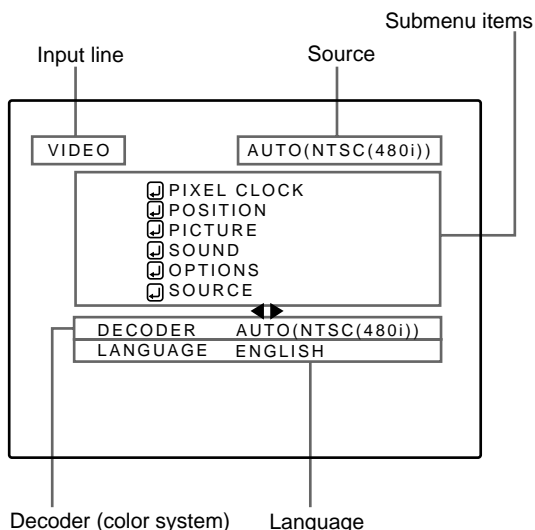
- The selected item (displayed text) is shown in magenta color on the screen.

### 3 Set (adjust) the item.

- **When you have selected DECODER or LANGUAGE,**
  - Set it with the cursor button ◀ or ▶.
  - \* To finish the main menu, press the PAGE BACK button.
- **When you have selected an item on the submenu,**
  - Press the MENU/ENTER button to display the submenu, then set (adjust) the item with the cursor buttons ◀/▶ or ▲/▼.
  - \* To return to the main menu, press PAGE BACK again. (To finish the main menu from the submenu, press PAGE BACK twice.)

## Main menu

(Example: During video signal input)



### About main menu display:

**Line display:** The selected input-mode designation is displayed. For input-mode designation, "Y/C", "VIDEO", "Y, P<sub>B</sub>/B-Y, P<sub>R</sub>/R-Y", "COMPUTER 1" and "COMPUTER 2" are available.

**Source display:** The type of signal being input is displayed. With this projector, unique designations are previously given to specific horizontal and vertical frequencies. This allows the source selected under SOURCE (submenu item) to be indicated. The source setting can be selected from AUTO mode and dedicated (forced) modes. When AUTO is selected, the horizontal and vertical frequencies of a signal being input are detected and the matched designation is displayed in ( ). Display example: "AUTO (NTSC(480i))" Therefore, be careful as the source display does not always correspond to the indication or type of the input signal.

For the unique designations for the specific horizontal and vertical frequencies, see pages 19 and 46.

### Submenu item display:

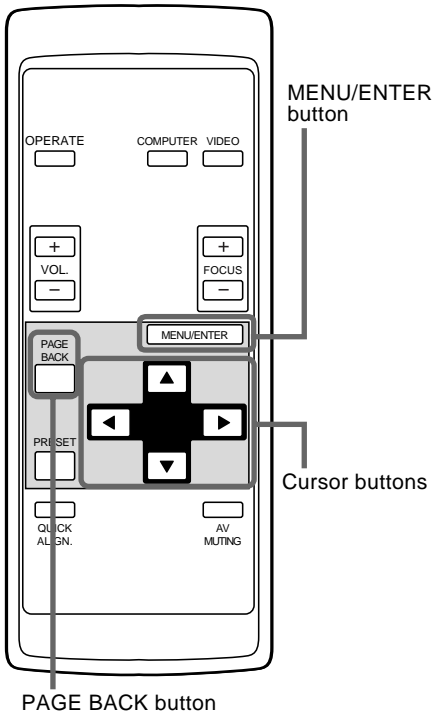
- PIXEL CLOCK: See page 37.
- POSITION : See page 38.
- PICTURE : See pages 39~41.
- SOUND : See page 42.
- OPTIONS : See pages 43~45.
- SOURCE : See pages 46 and 47.

**Decoder (Color system) display:** See page 35.

**Language display** : See page 36.

# Changing the Color System

## Remote control unit



AUTO is set for the color system when the projector is shipped from the factory. Normally, use it in AUTO. If operation in AUTO is unstable such as with color not being shown, set to a dedicated color system in accordance with the color system of the signal being input.

### 1 Press the MENU/ENTER button.

- The main menu is shown on the screen.

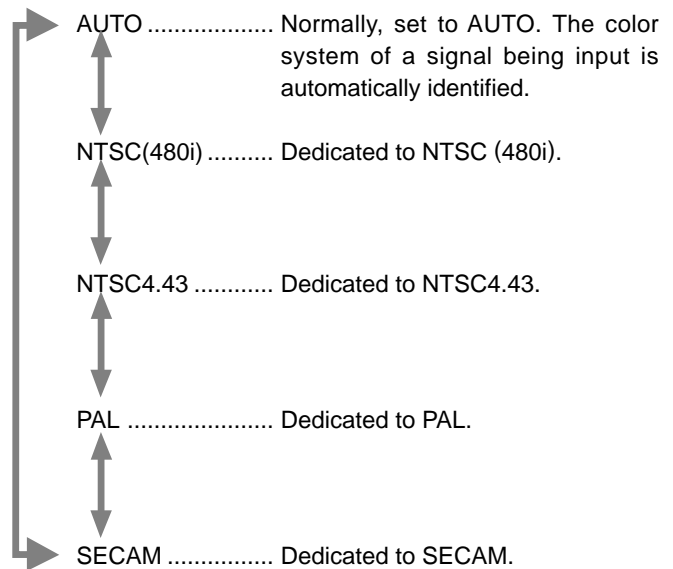
### 2 Select "DECODER" with the cursor button ▲ or ▼.

- The selected item (displayed in text) is shown in magenta color on the screen.

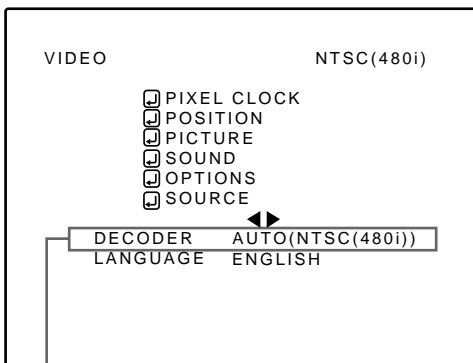
### 3 Set the color system with the cursor button ◀ or ▶.

- Each time you press the cursor button ◀ or ▶, the color system changes as follows.

▶ : Forward / ◀ : Backward



## Main menu



Color system (DECODER) display

### Note

- When computer-related signal is input, the display of the color system is changed to gray color, making operation impossible. When video signals from AV devices are input, the item for the color system can be set.

### Memo

#### About automatic signal identification

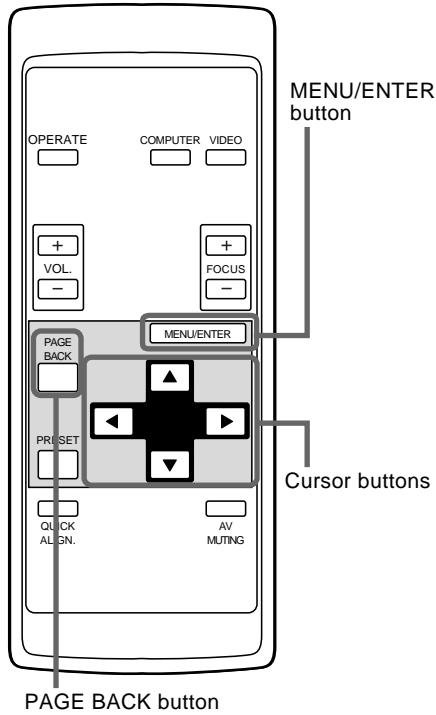
- AUTO is selected when shipped from the factory. In AUTO, the color system (DECODER) of the signal being input is automatically identified and indicated in ( ). Refer to the main menu display.
- If operation in AUTO is unstable such as with color not being shown, set to a dedicated color system in accordance with the color system of the signal being input. When the dedicated color system is set, be careful as automatic identification does not work.

### To finish the main menu, press the PAGE BACK button.

ENGLISH

## Changing the Language Display

### ■ Remote control unit



The language in the menu display is set to English when shipped from the factory. When you want to change to another language, set it as follows.

#### 1 Press the MENU/ENTER button.

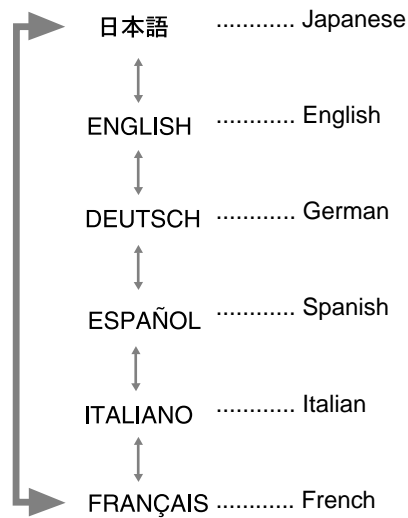
- The main menu is shown on the screen.

#### 2 Select "LANGUAGE" with the cursor button ▲ or ▼.

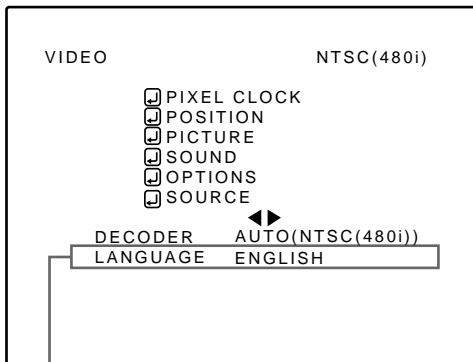
- The selected item (displayed in text) is shown in magenta color on the screen.

#### 3 Set the desired language with the cursor button ◀ or ▶.

- Each time you press the cursor button ◀ or ▶, the selected language changes as follows.
- ▶ : Forward / ◀ : Backward



### ■ Main menu



Language display

#### Memo

##### About language display

English is selected when the projector is shipped from the factory. The languages in the menu display are the following six : 日本語 (Japanese), ENGLISH, DEUTSCH (German), ESPAÑOL (Spanish), ITALIANO (Italian), and FRANÇAIS (French).

However, some text such as "QUICK ALIGNMENT" is displayed only in English. Unique designations such as line display and source display are similarly indicated.

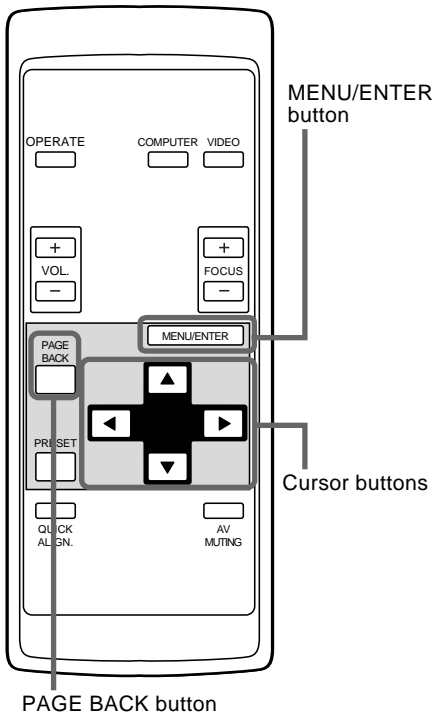
#### Note

- The selected item is shown in magenta color. Items shown in gray cannot be operated or set in the current mode.

- To finish the main menu, press the PAGE BACK button.

## Adjusting the Pixel Clock

### Remote control unit



The pixel clock should be adjusted mainly for computer-related inputs. (Normally, it does not need to be adjusted for video inputs.) If a wide stripe appears on the screen, adjust the lateral size of video image and the display area (tracking adjustment) so the stripe disappears. Also, if text on the video screen appears flickering or dim, make adjustment so it becomes clear (phase adjustment).

#### 1 Press the MENU/ENTER button.

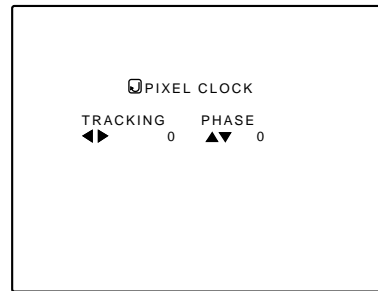
- The main menu appears on the screen.

#### 2 Select "PIXEL CLOCK" with the cursor button ▲ or ▼.

- The selected item (displayed in text) is shown in magenta color on the screen.

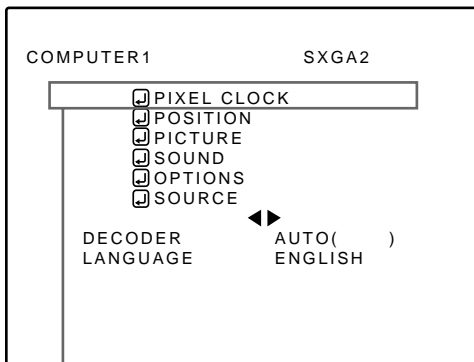
#### 3 Press the MENU/ENTER button.

- The submenu items of the PIXEL CLOCK menu appears on the screen.



(Pixel clock menu)

### Main menu



Submenu item (pixel clock)

#### 4 Adjust "TRACKING" and "PHASE" with the cursor buttons.

- Adjust the tracking and phase of the video screen being projected. To adjust the phase, first check for correct tracking adjustment.

Adjustment item	Button	Adjustment content
TRACKING	◀	The screen shrinks laterally (right-to-left). (-255 ← 0 ← +255)
	▶	The screen extends laterally (right-to-left). (-255 → 0 → +255)
PHASE		Set to a position where text appears clear.
	▲	(-127 → 0 → +127)
	▼	(-127 ← 0 ← +127)

\* To reset to the factory-set adjustment values, press the remote control's PRESET button.

Tracking and phase are reset to the factory-set adjustment values.

#### ● To return to the main menu, press the PAGE BACK button. To finish the main menu, press PAGE BACK again.

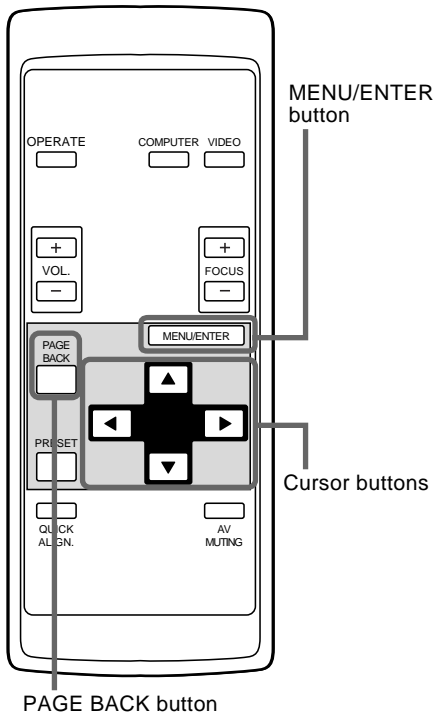
- To finish the menu display from the submenu display (PIXEL CLOCK menu), press PAGE BACK twice.

#### Notes

- The selected item is shown in magenta color. Items shown in gray color cannot be operated or set in the current mode.
- A dim screen could be caused by insufficient adjustment of brightness and contrast. Before adjusting phase, make sure that brightness and contrast are correctly adjusted.

## Adjusting the Screen Position

### Remote control unit



Adjust the position of the screen if it is displaced.

#### 1 Press the MENU/ENTER button.

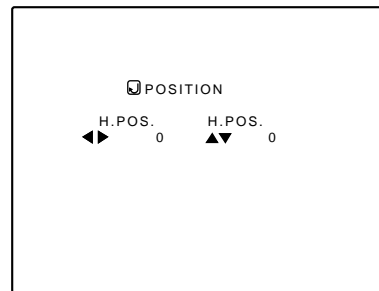
- The main menu appears on the screen.

#### 2 Select "POSITION" with the cursor button ▲ or ▼.

- The selected item (displayed in text) is shown in magenta color on the screen.

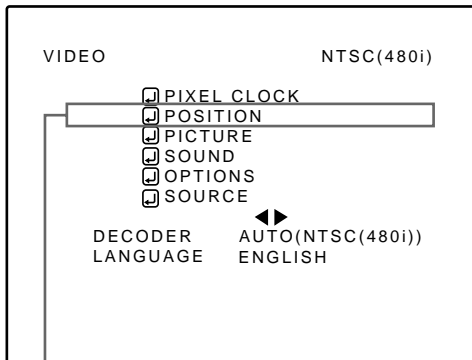
#### 3 Press the MENU/ENTER button.

- The submenu items of the POSITION menu appear on the screen.



(Position menu)

### Main menu



Submenu item (position)

#### 4 Adjust "H. POS." and "V. POS." with the cursor buttons.

- Adjust the horizontal and vertical positions of the video picture screen being projected.

Adjustment item	Button	Adjustment content
H. POS.	◀	The screen moves to the left. (-255 ← 0 ← +255)
	▶	The screen moves to the right. (-255 → 0 → +255)
V. POS.	▲	The screen moves upwards. (-120 → 0 → +120)
	▼	The screen moves downwards. (-120 ← 0 ← +120)

\* To reset to the factory-set adjustment values, press the remote control's PRESET button. H. POS. and V. POS. are reset to the factory-set adjustment values.

#### Note

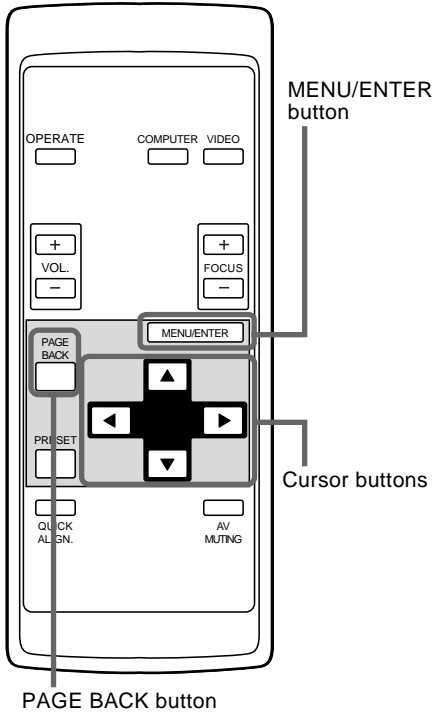
- The selected item is shown in magenta color. Items shown in gray color cannot be operated or set in the current mode.

#### ● To return to the main menu, press the PAGE BACK button. To finish the main menu, press PAGE BACK again.

- To finish the menu display from the submenu display (POSITION menu), press PAGE BACK twice.

## Adjusting Picture Quality

### Remote control unit



Adjust brightness, contrast, etc. so you have the desired screen. Adjustment items (on the PICTURE menu) are different when video-related signals are input and when computer-related signals are input.

#### 1 Press the MENU/ENTER button.

- The main menu appears on the screen.

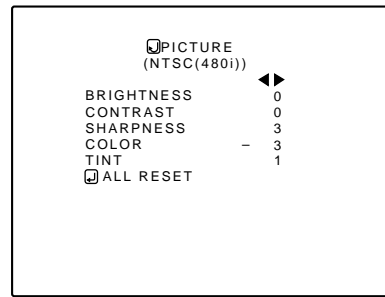
#### 2 Select "PICTURE" with the cursor button ▲ or ▼.

- The selected item (displayed in text) is shown in magenta color on the screen.

#### 3 Press the MENU/ENTER button.

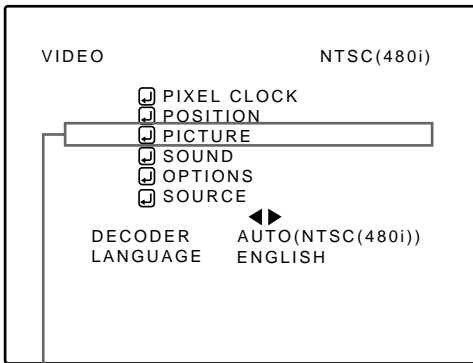
- The submenu items of the PICTURE menu appear on the screen.

#### When AV signals are input



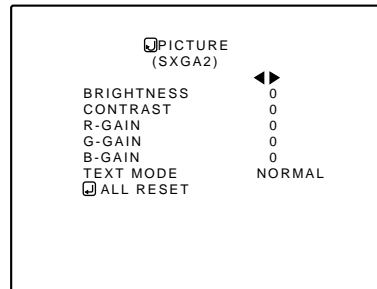
(PICTURE menu)

### Main menu



Submenu item (PICTURE)

#### When computer-related signals are input



(PICTURE menu)

#### 4 Select the item to adjust with the cursor button ▲ or ▼.

- The items to adjust (shown in text) is displayed in magenta color.

#### Notes

- The selected item is shown in magenta color. Items shown in gray color cannot be operated or set in the current mode.
- Adjustment items (on the PICTURE menu) are different when AV signals are input and when computer-related signals are input.

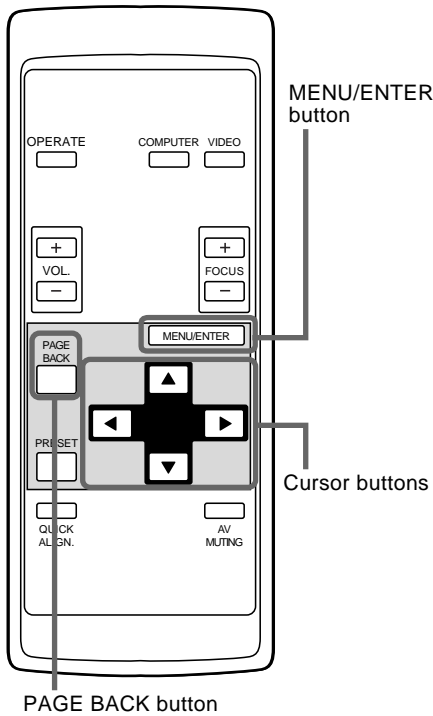
ENGLISH

(To be continued on the next page)



**Adjusting Picture Quality (Cont.)**

■ Remote control unit



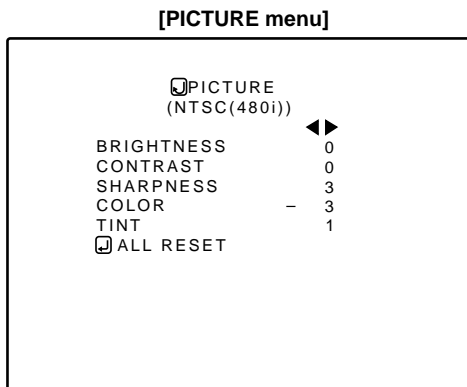
**5 Make adjustment with the cursor button ◀ or ▶.**

■ For video system input

- To adjust multiple items, repeat steps 4 and 5.
- To reset all items (to factory-set adjustment values "0"), select ALL RESET with the cursor buttons and press the MENU/ENTER button.
- To reset only the selected items (ALL RESET excluded) to the factory-set adjustment value, press the remote control's PRESET button. The selected item is reset to the factory-set adjustment value.

Adjustment item	Button	Adjustment content
BRIGHTNESS	◀	Gets darker. (-30 ← 0 ← +30)
	▶	Gets brighter. (-30 → 0 → +30)
CONTRAST	◀	Gets lower. (-30 ← 0 ← +30)
	▶	Gets higher. (-30 → 0 → +30)
SHARPNESS	◀	Gets softer. (0 ← 7)
	▶	Gets sharper. (0 → 7)
COLOR	◀	Gets softer. (-30 ← 0 ← +30)
	▶	Gets deeper. (-30 → 0 → +30)
TINT	◀	Gets reddish. (-30 ← 0 ← +30)
	▶	Gets greenish. (-30 → 0 → +30)
ALL RESET	MENU/ENTER	Resets all adjustment values of items on the PICTURE menu to the factory-set values (0).

■ Submenu items



**Notes**

- The selected item is shown in magenta color. Items shown in gray color cannot be operated or set in the current mode.
- Adjustment items (on the PICTURE menu) are different when AV signals are input and when computer-related signals are input.

**Notes**

- The adjustment item, TINT, is displayed only for NTSC system. It is not displayed (cannot be adjusted) when PAL or SECAM system signals are input.
- When video signals are input to the COMPUTER IN-2 terminal, adjustment items "COLOR" and "TINT" are indicated but cannot be adjusted.

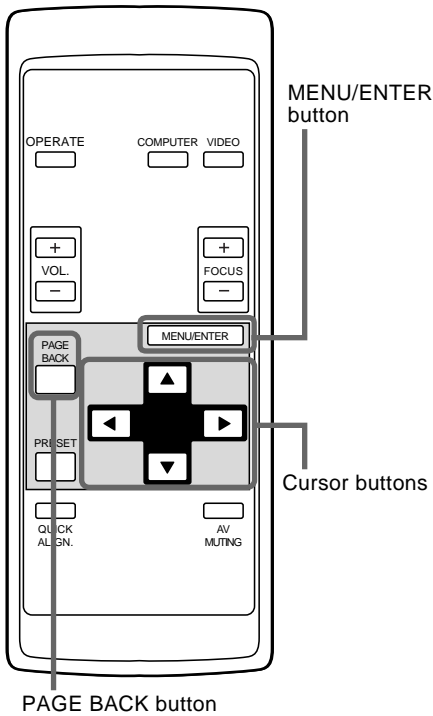
■ For computer system input

- To adjust multiple items, repeat steps 4 and 5.
- To reset all items (to factory-set adjustment values "0"), select ALL RESET with the cursor buttons and press the MENU/ENTER button.
- To reset only the selected items (ALL RESET excluded) to the factory-set adjustment value, press the remote control's PRESET button. The selected item is reset to the factory-set adjustment value.

(To be continued on the next page)

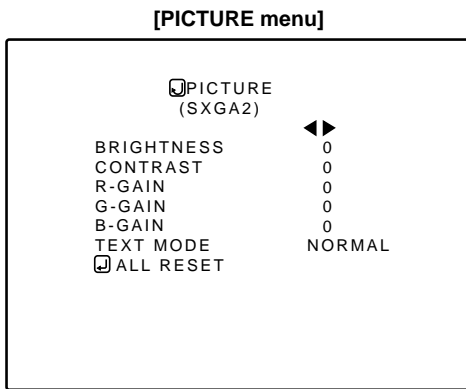
**Adjusting Picture Quality (Cont.)**

**Remote control unit**



Adjustment item	Button	Adjustment content
<b>BRIGHTNESS</b>	◀	Gets darker. (-30 ← 0 ← +30)
	▶	Gets brighter. (-30 → 0 → +30)
<b>CONTRAST</b>	◀	Gets lower. (-30 ← 0 ← +30)
	▶	Gets higher. (-30 → 0 → +30)
<b>R-GAIN</b>	◀	Gets less reddish. (-30 ← 0 ← +30)
	▶	Gets more reddish. (-30 → 0 → +30)
<b>G-GAIN</b>	◀	Gets less greenish. (-30 ← 0 ← +30)
	▶	Gets more greenish. (-30 → 0 → +30)
<b>B-GAIN</b>	◀	Gets less bluish. (-30 ← 0 ← +30)
	▶	Gets more bluish. (-30 → 0 → +30)
<b>TEXT MODE</b>		Sets a mode which allows easy text reading.
	◀	
	▶	
<b>ALL RESET</b>	<b>MENU/ENTER</b>	Resets all adjustment values of items on the PICTURE quality menu to the factory-set status (adjustment values: 0, text mode: NORMAL).

**Submenu items**



**Notes**

- The selected item is shown in magenta color. Items shown in gray color cannot be operated or set in the current mode.
- Adjustment items (on the PICTURE menu) are different when AV signals are input and when computer-related signals are input.

**Note**

- There is a relationship between the adjustment of items R-GAIN, G-GAIN, and B-GAIN and that of item CONTRAST. For example, when adjustment values are : R-GAIN: 0, G-GAIN: 5, B-GAIN: 0, and CONTRAST: 0, changing CONTRAST to 1 changes the adjustment values as follows: R-GAIN: 1, G-GAIN: 6, and B-GAIN: 1.

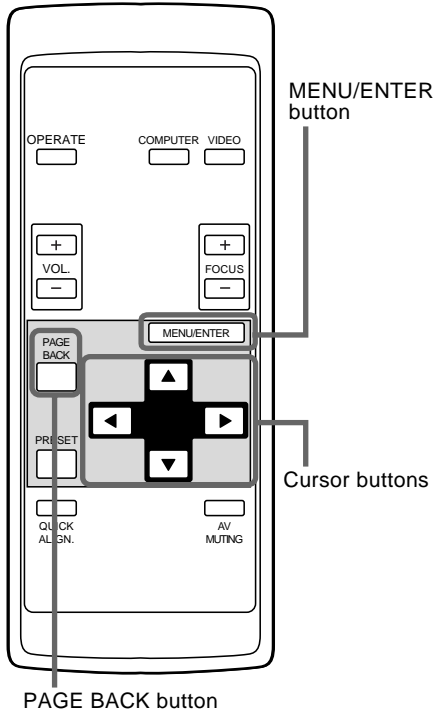
Also, when the adjustment value of any of R-GAIN, G-GAIN, and B-GAIN has reached -30 (minimum) or +30 (maximum), CONTRAST cannot be adjusted to any higher value. For example, when R-GAIN is 0, G-GAIN is 5, B-GAIN is 0, and CONTRAST is 0, increasing CONTRAST allows the other adjustment values to increase until R-GAIN: 25, G-GAIN: 30, and B-GAIN: 25, then CONTRAST becomes 25 and cannot be adjusted to any higher value.

- **To return to the main menu, press the PAGE BACK button. To finish the main menu, press PAGE BACK again.**

- To finish the menu display from the submenu display (PICTURE menu), press PAGE BACK twice.

## Adjusting Sound Quality

### Remote control unit



Adjust the quality (treble/bass) of sound.

#### 1 Press the MENU/ENTER button.

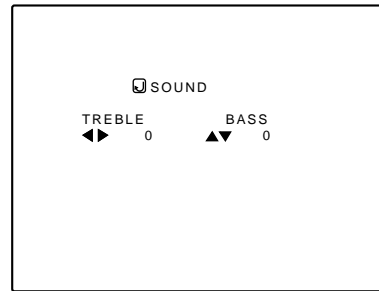
- The main menu appears on the screen.

#### 2 Select the "SOUND" with the cursor button ▲ or ▼.

- The selected item (displayed in text) is shown in magenta color on the screen.

#### 3 Press the MENU/ENTER button.

- The submenu items of the SOUND menu appear on the screen.

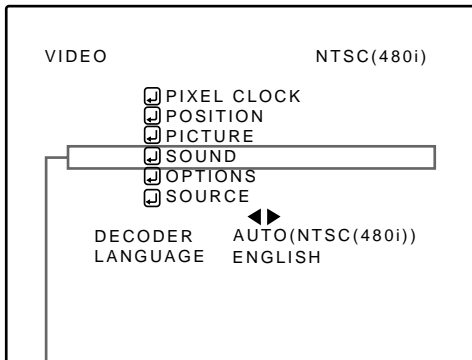


(SOUND menu)

#### 4 Adjust "TREBLE" and "BASS" with the cursor buttons.

- Adjust the quality (TREBLE and BASS) of sound.

### Main menu



Submenu item (SOUND)

#### Note

- The selected item is shown in magenta color. Items shown in gray color cannot be operated or set in the current mode.

Adjustment item	Button	Adjustment content
TREBLE	◀	Gets weaker. (-5 ← 0 ← +5)
	▶	Gets stronger. (-5 → 0 → +5)
BASS	▲	Gets stronger. (-5 → 0 → +5)
	▼	Gets weaker. (-5 ← 0 ← +5)

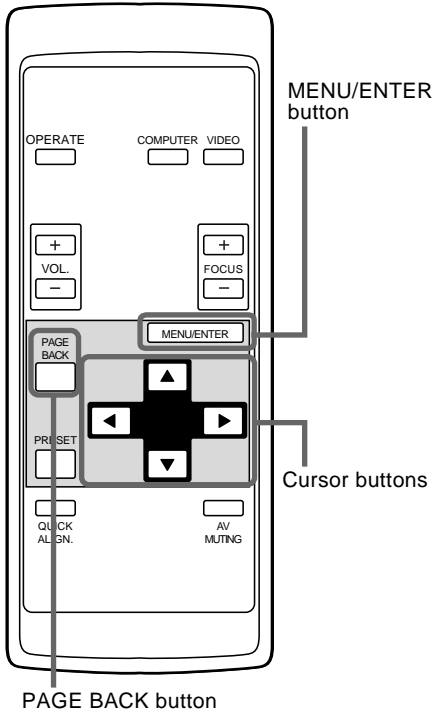
\* To reset to the factory-set adjustment values, press the remote control's PRESET button. The treble and bass are reset to the factory-set adjustment values.

#### ● To return to the main menu, press the PAGE BACK button. To finish the main menu, press PAGE BACK again.

- To finish the menu display from the submenu display (SOUND menu), press PAGE BACK twice.

# Setting and Adjusting Other Functions (OPTIONS)

## Remote control unit



The following optional functions can be set (adjusted).

- MENU AUTO OFF
- TOP BOTTOM INV.
- BACK COLOR
- SLEEP TIME
- LINE DISPLAY
- CLAMP
- COLOR TEMP.
- LAMP TIME
- RIGHT LEFT REV.
- RESIZE
- ASPECT CHANGE

### Memo

#### About the lamp use time (LAMP TIME)

The lamp use time indicates the accumulated used hours of the light-source lamp and cannot be set or adjusted. When you have replaced with a new light-source lamp, reset the lamp use time (see page 50).

### Note

- The RESIZE function works for only computer system input. It does not work for video system input.

## 1 Press the MENU/ENTER button.

- The main menu appears on the screen.

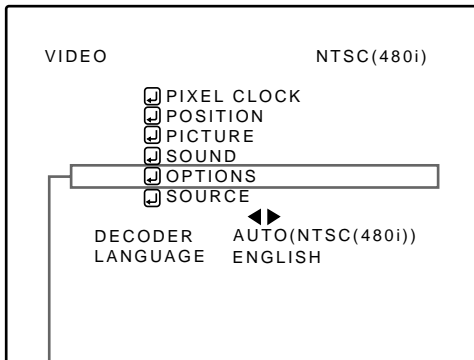
## 2 Select the "OPTIONS" with the cursor button ▲ or ▼.

- The selected item (displayed in text) is shown in magenta color on the screen.

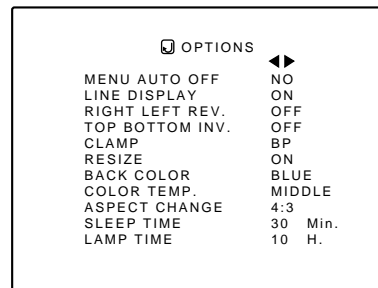
## 3 Press the MENU/ENTER button.

- The submenu items of the OPTIONS menu are displayed.

## Main menu



Submenu item (OPTIONS)



(OPTIONS menu)

## 4 Select the item to set (adjust) with the cursor button ▲ or ▼.

- The item to set (adjust) is shown in magenta color.

### Notes

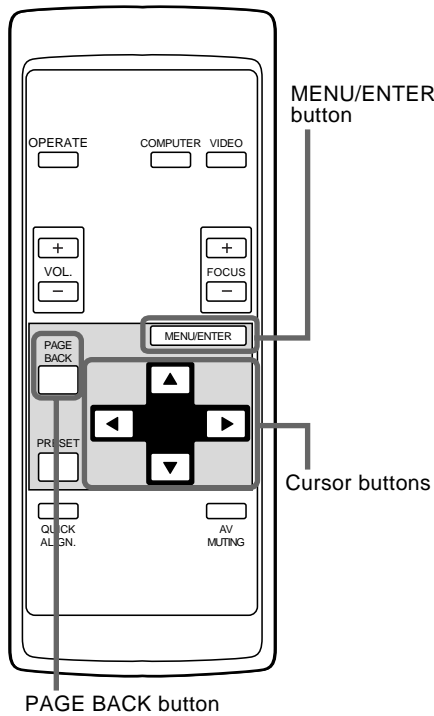
- The selected item is shown in magenta color. Items shown in gray color cannot be operated or set in the current mode.
- Items to be set (adjusted) are different when AV signals are input and when computer system signals are input.

ENGLISH

(To be continued on the next page)

**Setting and Adjusting Other Functions (OPTIONS) (Cont.)**

■ Remote control unit

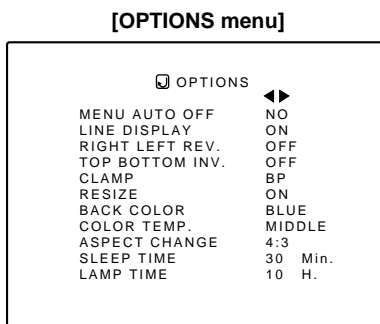


**5 Set (adjust) the desired item with the cursor button ◀ or ▶.**

• To adjust multiple items, repeat steps 4 and 5.

Adjustment item	Button	Adjustment content
<b>MENU AUTO OFF</b>	◀▶	Sets whether to clear the menu display automatically a fixed time later or not. (Factory setting : NO) <b>YES</b> : Clears the display automatically in about 25 seconds. <b>NO</b> : Does not clear the display automatically. <b>NO</b> ◀▶ <b>YES</b>
<b>LINE DISPLAY</b>	◀▶	Sets whether to show the line display (Y/C, VIDEO, etc.) at the top of the projected screen or not. (Factory setting : ON) <b>OFF</b> : Does not show the line display. <b>ON</b> : Shows the line display. (The line display disappears about 5 seconds after it is shown.) <b>OFF</b> ◀▶ <b>ON</b>
<b>RIGHT LEFT REV.</b>	◀▶	Reverses video image right-to-left. (Factory setting : OFF) <b>OFF</b> : For the front method <b>ON</b> : For upside hanging from the ceiling <b>OFF</b> ◀▶ <b>ON</b>
<b>TOP BOTTOM INV.</b>	◀▶	Inverses video image upside-down. (Factory setting : OFF) <b>OFF</b> : For normal set-up <b>ON</b> : For upside hanging from the ceiling <b>OFF</b> ◀▶ <b>ON</b>
<b>CLAMP</b>	◀▶	Sets the clamp pulse's position at the back porch (BP) or on the sink tip (ST). Normally, the clamp is used at BP. If, with some PCs or workstations, the screen becomes unstable such as being too dark or too bright, try to switch to ST. (factory setting: BP) <b>BP</b> : The clamp pulse is positioned at the back porch. <b>ST</b> : The clamp pulse is positioned on the sink tip. <b>BP</b> ◀▶ <b>ST</b>
<b>RESIZE</b>	◀▶	When the number of pixels (resolution) sought by the input video is smaller than that (resolution) of D-ILA device, the video image is then enlarged to virtually full screen size of D-ILA device and projected (resizing display). (Factory setting : ON) Does not work (cannot be set) for video system input. <b>OFF</b> : Does not enlarge the video image for projection. When the number of pixels sought by video image is smaller than that of D-ILA device, projection takes place on a small screen size with a black area around the screen. <b>ON</b> : Enlarges virtually to the full screen size of D-ILA device for projection (resizing display). <b>OFF</b> ◀▶ <b>ON</b>

■ Submenu items



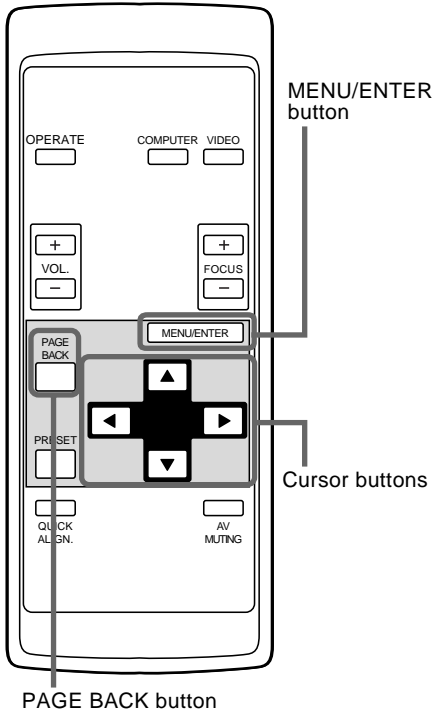
**Notes**

- The selected item is shown in magenta color. Items shown in gray color cannot be operated or set in the current mode.
- Items to be set (adjusted) are different when AV signals are input and when computer-system signals are input.
- When you turn the RESIZE function ON, allowing the screen to be enlarged virtually to its full size for projection (resizing display), the video image (resolution) becomes coarse.

(To be continued on the next page)

**Setting and Adjusting Other Functions (OPTIONS) (Cont.)**

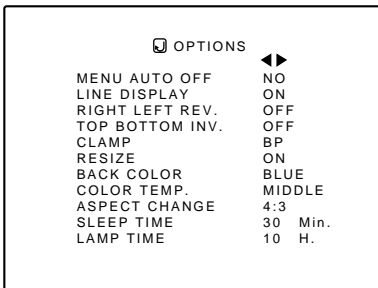
**Remote control unit**



Adjustment item	Button	Adjustment content
<b>BACK COLOR</b>	◀▶	Sets background color when there is no input signal. (Factory setting : BLUE) BLUE ↔ CYAN ↔ BLACK ↔ GREEN ↑ ↓ YELLOW ↔ RED ↔ MAGENTA
<b>COLOR TEMP.</b>	◀▶	Sets the color temperature of the video image being projected. Make adjustment when the image becomes reddish or bluish. (Factory setting : MIDDLE) <b>LOW</b> : Color temperature decreases (video image becoming reddish). <b>MIDDLE</b> : Results in middle color temperature. <b>HIGH</b> : Color temperature increases (video image becoming bluish). LOW ↔ MIDDLE ↔ HIGH
<b>ASPECT CHANGE</b>	◀▶	Sets the vertical-to-horizontal ratio (4 : 3 or 16 : 9) of the video image projected. (Factory setting : 4 : 3) <b>4 : 3</b> : The aspect ratio of the screen becomes 4 : 3. Set it to 4 : 3 for video of NTSC, NTSC4.43, PAL, SECAM. <b>16 : 9</b> : The aspect ratio of the screen becomes 16 : 9. Set it to 16 : 9 for Hi-Vision devices (W-VHS VCR, etc.) 4 : 3 ↔ 16 : 9
<b>SLEEP TIME</b>	◀▶	Sets the length of sleep time which automatically brings the projector into stand-by state. You can select one of the following sleep times : 10 minutes, 20 minute, 30 minutes, and 60 minutes. (Factory setting : 30 minutes) 10 ↔ 20 ↔ 30 ↔ 60

**Submenu items**

[OPTIONS menu]



● To return to the main menu, press the **PAGE BACK** button. To finish the main menu, press **PAGE BACK** again.

- To finish the menu display from the submenu display (OPTIONS menu), press **PAGE BACK** twice.

**Note**

- When you view a conventional (normal) 4 :3 video picture, which is not wide video picture, on the projector's screen the aspect change function, the upper and lower parts of the video picture become partially invisible. View such an original video picture in 4 :3 mode, respecting the producer's intention.

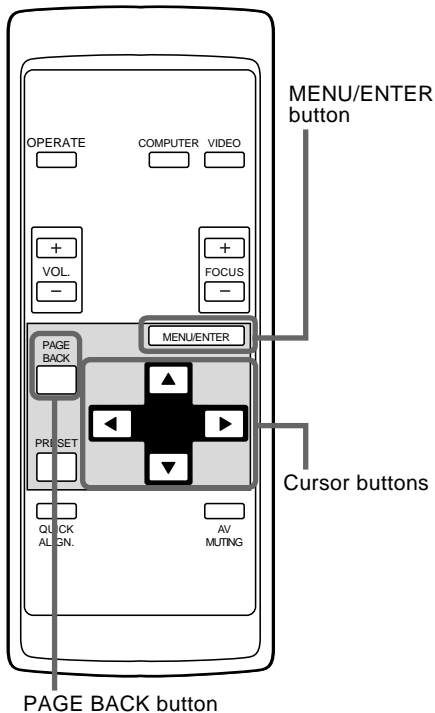
**Notes**

- The selected item is shown in magenta color. Items shown in gray color cannot be operated or set in the current mode.
- Items to be set (adjusted) are different when AV signals are input and when computer-system signals are input.

ENGLISH

# Changing (Setting) the Source

## Remote control unit



Normally, use the source setting in AUTO. If use in AUTO is unstable such as color not appearing, the screen being disturbed or the screen being intermitted, set to the dedicated source (forced mode) in accordance with the input signal.

- When shipped from the factory, the source settings are as follows:

Input mode	Factory setting	Input mode	Factory setting
VIDEO	NTSC(480i)	COMPUTER 1	AUTO
Y/C	NTSC(480i)	COMPUTER 2	AUTO
Y, Pb/B-Y, Pr/R-Y	AUTO	—	—

### Notes

- Depending on the signal from a device connected, adjustment may be needed after a dedicated source is set. If that is the case, adjust the appropriate items.
- When the input mode (SOURCE) is VIDEO or Y/C, and if AUTO is set, the automatic detecting function may work, possibly causing the screen to be intermitted or disturbed. In that case, set to a dedicated source (forced mode).
- When special effect playback (fast-forward/ twice-speed/triple-speed) is performed on a video deck, etc, the picture may be disturbed or intermitted, depending on the device.
- When inputting 480p or 720p-DTV-format signal in COMPUTER2 input mode, use the dedicated source mode "SDTV(480p)" or "HDTV1(720p)". (At AUTO, 480p or 720p signal can not be detected.)

## 1 Press the MENU/ENTER button.

- The main menu appears on the screen.

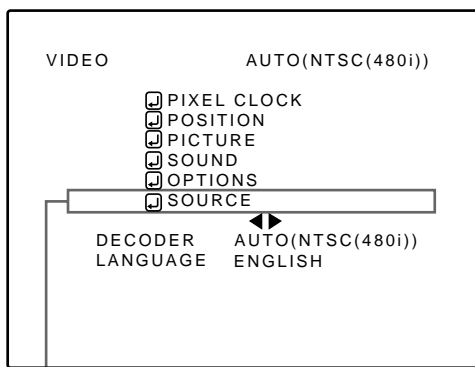
## 2 Select a submenu item "SOURCE" using the cursor button ▲ or ▼.

- The SOURCE item (shown in text) is indicated in magenta color.

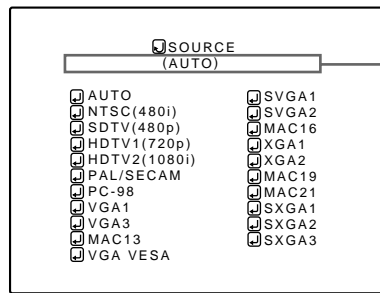
## 3 Press the MENU/ENTER button.

- The submenu items, SOURCE menu, appears on the screen.

## Main menu



Submenu item (SOURCE)



The display in ( ) shows the currently set status.

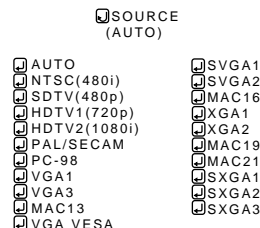
(SOURCE menu)

### Notes

- The selected item is shown in magenta color. Items shown in gray color cannot be operated or set in the current mode.
- Items that can be set are different when video signals are input and when computer signals are input.
- For dedicated source signals (corresponding frequency, etc.) for computer signals, see page 19.

## 4 Select the item to set using the cursor buttons ▲/▼ or ◀/▶.

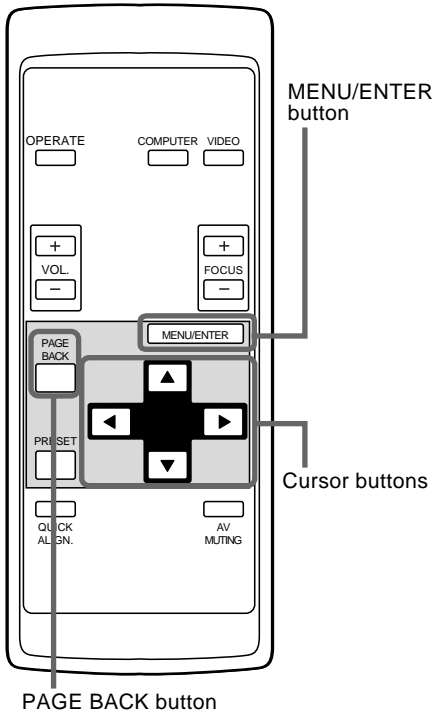
- The item to set is shown in magenta color.



(To be continued on the next page)

**Changing (Setting) the Source (Cont.)**

■ Remote control unit

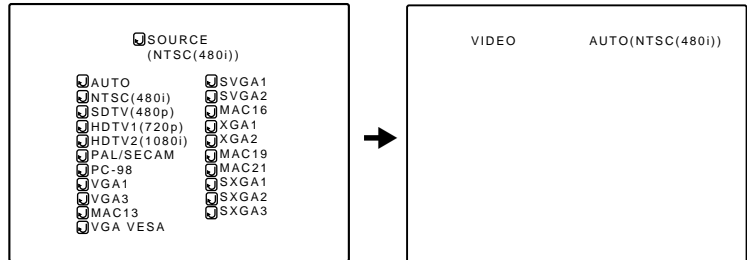


**5 Press the MENU/ENTER button to set (fix) it.**

■ When AUTO is selected:

The main menu is automatically cleared, completing the setting procedure, and the source display inputted appears.

- Both line display and source display appear on the screen and disappear in five seconds. However, they do not appear if the line display is set to OFF.

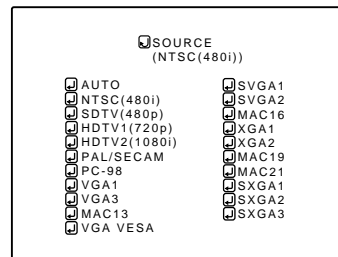
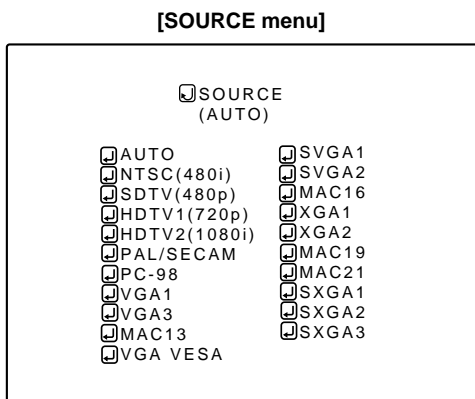


■ When other than AUTO is selected:

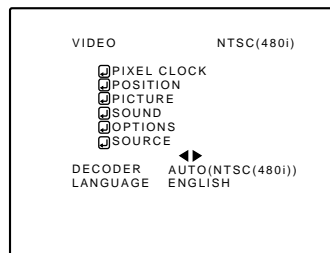
The selected item is shown in ( ) beneath the indicated text "SOURCE" at the top of the screen, completing the setting procedure.

- To finish the menu display, press the PAGE BACK button twice (the first press returns you to the main menu and the second press clears it).

■ Submenu item



↓ Press the PAGE BACK button.



↓ Press the PAGE BACK button.

The menu display is finished.

**Notes**

- The selected item is shown in magenta color. Items shown in gray color cannot be operated or set in the current mode.
- Items that can be set are different when video signals are input and when computer signals are input.
- For dedicated source signals (corresponding frequency, etc.) for computer signals, see page 19.

ENGLISH



# Replacing the Light-Source Lamp

**The light-source lamp has its service life. It is approximately 1000 hours.**

When the light-source lamp approaches the end of its service life, its degradation progresses rapidly. When the lamp's used hours exceed 900 hours, the projector's LAMP indicator comes on. Also, at the start of projection (lamp energized), the message "REPL.-LAMP" appears on the projection screen for about two minutes. Then, replace with a new light-source lamp, or arrange for a replacement lamp. When lamp's service has reached 1000 hours, the projector's LAMP indicator starts blinking, and if you press the OPERATE button (or press the remote control's OPERATE button for more than one second), the light-source lamp does not turn on. The specified lamp replacement period is 1000 hours, but depending on use conditions, the replacement period may vary. If video image is dark and its color tint is extraordinary even after you have adjusted color tint and brightness, replace the light-source lamp a little earlier.

**Purchase new light-source lamps (part No. : BHL5001-SU) from the JVC-authorized dealer where you have purchased the projector, or consult the nearest JVC Service center.**

## CAUTIONS and NOTES

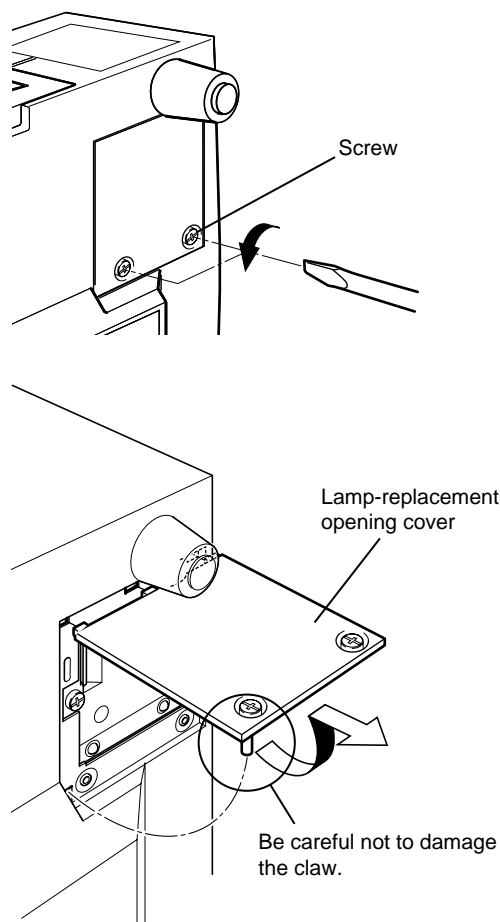
- If the projector is set up in a tight place which is unsuitable for work, and if you perform replacement work there, this could hurt you. Move the projector to a place wide enough for work, and then replace the lamp.
- Use a genuine product for the light-source lamp. If you use other than a genuine product, this could cause a malfunction. Also, never use an old light-source lamp. An old lamp could cause marked degradation in performance or explode itself, possibly causing the projector to malfunction. Also, its broken pieces could come out of the projector and harm you when replacing the light-source lamp.
- Do not replace the light-source lamp immediately after the projector has been used. The temperature of the light-source lamp is still high and could cause a burn. Be sure to allow a cooling period of one hour or more before performing replacement work.
- Before starting lamp replacement work, turn off the MAIN POWER switch (see page 26), and disconnect the power cord from the wall outlet. If you perform the replacement work with the power cord left connected, this could cause harm or electric shock.
- Never discard an old light-source lamp (used lamp), as is. Otherwise, this could involve a great danger. The lamp contains a xenon gas inside, which is applying a high pressure. If the gas is not removed, it could cause the lamp to explode. For handling used lamps, refer to the manual supplied with the new replacement lamp you have purchased. If you have any questions, consult a JVC-authorized dealer where you have bought the replacement lamp or nearest JVC Service center.

## 1 Remove the lamp-replacement opening cover by loosening screws.

Loosen the two screws with a flat-end screwdriver.

### Note

- The screws are fitted so that they do not come off the lamp-replacement opening cover.



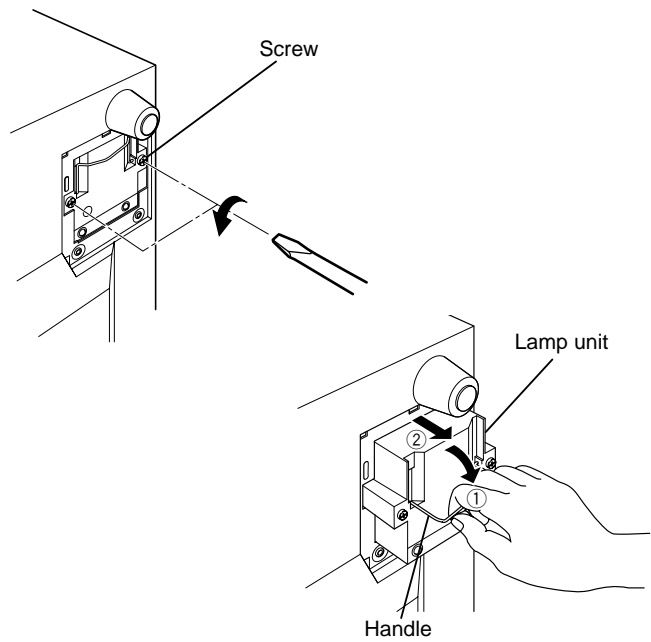
## Replacing the Light-Source Lamp (Cont.)

### 2 Loosen the lamp-unit screws, raise the handle, and pull out the lamp unit.

Loosen the two screws with a flat-end screwdriver.

#### Note

- The screws are fitted so that they do not come off the lamp-unit.

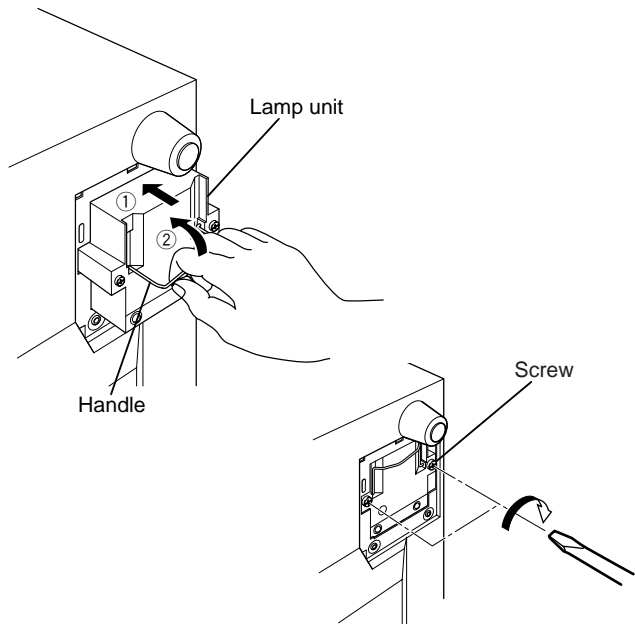


### 3 Insert the new lamp unit fully inside and fasten the screws.

Fasten the two screws with a flat-end screwdriver.

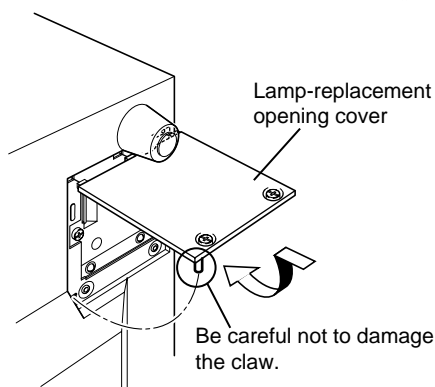
#### CAUTION

- Do not touch the glass surface of the light-source lamp directly with your hand as well as staining it. If you touch with a bare hand, stains on your hand may adhere to the lamp, possibly preventing the lamp from performing as specified due to a shortened lamp life, a darkened screen, etc. To handle a new light-source lamp, hold its plastic part. Never touch the metal part or the front glass surface.



### 4 Replace the lamp-replacement opening cover and fasten the screws.

Fasten the two screws with a flat-end screwdriver.



#### CAUTIONS

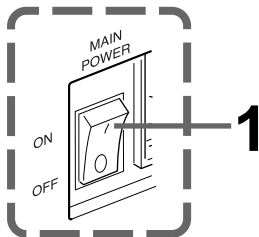
- Install the lamp unit and close the lamp-replacement opening cover correctly; otherwise, a safety switch is activated to prevent the projector from operating.
- If the claw on the lamp-replacement opening cover is damaged, the projector may not possibly operate. Then, replace with a new lamp-replacement opening cover.
- After replacing the lamp, be sure to reset the lamp use time (see page 50).

### Resetting the Lamp Use Time

After replacing with a new light-source lamp, reset the counter inside the projector. This works to reset the life calculation of the light-source lamp, allowing the used time of the new light-source lamp to be accumulated.

#### ■ Projector's button

[MAIN POWER switch]



#### 1 Turn on the MAIN POWER switch to go into stand-by mode.

- ON [ I ]: The main power turns ON and the STAND BY indicator lights.

#### 2 Press and hold down the "VIDEO", "SETTING" and "QUICK ALIGN. + ►" at the same time for six seconds or more.

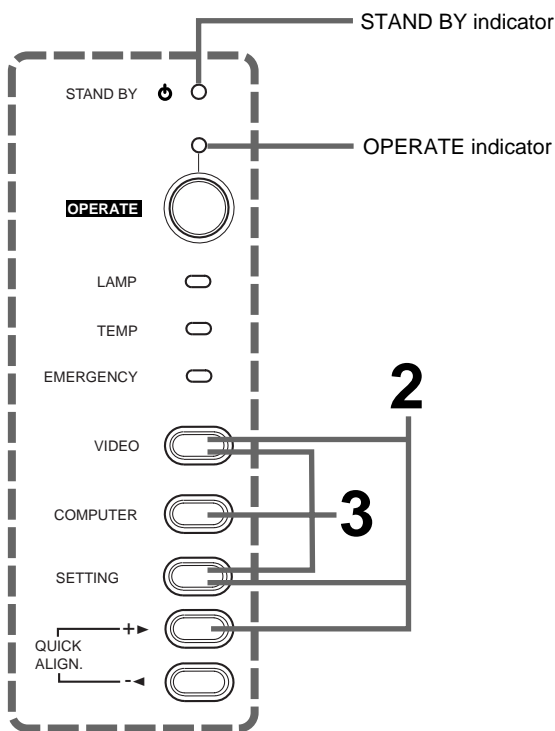
- The STAND BY and OPERATE indicators come on at the same time.

#### 3 While the STAND BY and OPERATE indicators are on, press the "VIDEO", "SETTING", and "COMPUTER" buttons at the same time.

- The STAND BY and OPERATE indicators blink two seconds alternately, and after blinking, the projector returns to stand-by state (the STAND BY indicator lights).

\* This completes the resetting of the lamp use time.

[Control panel]



#### Memo

To check the lamp use time has been reset :

You can check it by LAMP TIME on the OPTIONS menu.

#### CAUTIONS

- After replacing with a new light-source lamp, be sure to reset the lamp use time. When the lamp use time indicates 1000 hours, and if it is not reset, the projector does not operate. (The light-source lamp does not turn on.)
- Reset the lamp use time only when you have replaced with a new light-source lamp. Never reset it at a halfway time. Otherwise, the replacement time may become unclear, degrade performance markedly, or cause lamp explosion.

# Cleaning and Replacing the Filter

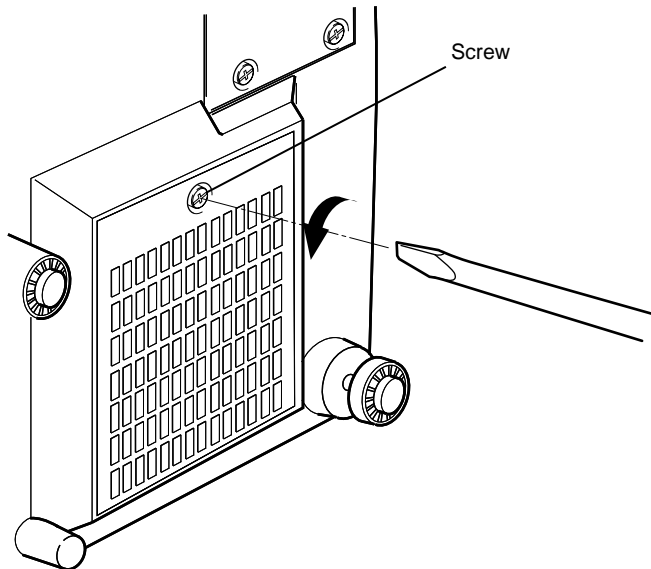
Clean the filter periodically. If the filter is heavily stained and does not get clean, or if it is damaged, replace the filter with a new filter (part No.: LC30208). Otherwise, dirt may get inside and appear on the screen, possibly preventing you from enjoying the video image fully. If dirt gets inside or if you need information about the filter, consult a JVC-authorized dealer where you have purchased the projector or nearest JVC Service center.

## 1 Turn off the MAIN POWER switch.

After the projector goes into stand-by state with the STAND BY indicator on, turn off the main power switch and pull out the power cord from the projector and the wall outlet.

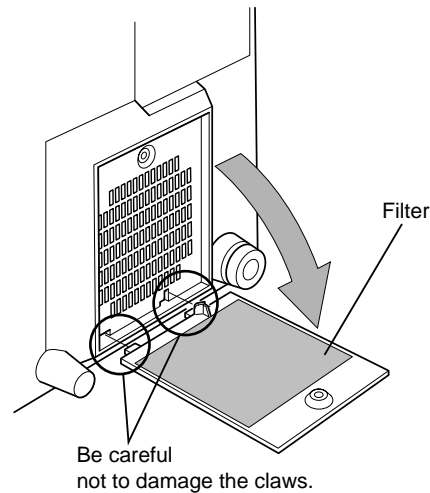
## 2 Remove the filter.

Loosen the screw with a flat-end screwdriver.



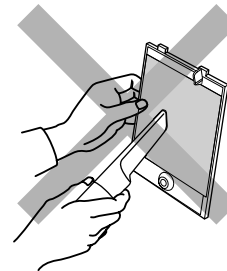
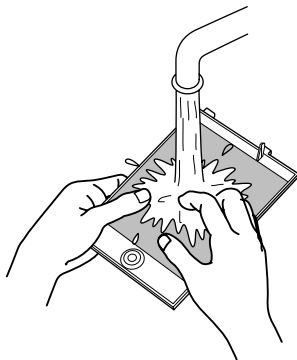
### Notes

- The screws are fitted so that they do not come off the filter.
- If the filter is clogged with dirt, etc., the projector goes into an emergency mode (the EMERGENCY indicator blinks). So, clean the filter periodically. For the emergency mode, refer to pages 9 and 25.



## 3 Clean the filter.

Clean the filter with a neutral detergent, wash it in water, and then dry it in the shade.



### CAUTIONS

- Put on rubber gloves when using neutral detergent.
- After you have washed the filter in water, make sure the filter is completely dry before reinstalling it. Otherwise, electric shock or malfunction could occur.
- Do not clean the filter using a vacuum cleaner. Since the filter is soft, it may be sucked into the vacuum cleaner or damaged.

## 4 Reinstall the filter.

Fasten the screw with a flat-end screwdriver.

### Notes

- Install the filter correctly. Otherwise, the projector does not operate. (Goes into an emergency mode.)
- If the filter's claws are damaged, the projector may not operate. Then, replace with a new filter.

# Troubleshooting

Solutions to common problems related to your projector are described here. If none of the solutions presented here solves the problem, unplug the projector and consult a JVC-authorized dealer or service center.

Symptom	Probable cause	Corrective action	Page
<b>Power is not supplied.</b>	• Is the power cord disconnected?	• Insert the power cord (plug) firmly.	24
	• Is the main power switch turned on?	• Turn on the MAIN POWER switch.	26
	• Is the lamp-replacement opening cover closed correctly?	• Turn off the MAIN POWER switch, close the lamp-replacement opening cover, and turn on the main power switch again.	26, 48
	• Is the air filter closed correctly?	• Turn off the MAIN POWER switch, fit the air filter correctly, and turn on the main power switch again.	26, 51
	• Has the lamp life expired? (Has the lamp use time reached 1000 hours?)	• Turn off the MAIN POWER switch, replace with a new light-source lamp, and turn on the MAIN POWER switch. Reset the lamp use time after replacing with a new lamp.	26, 48, 50
<b>Light is not emitted, or light level is low.</b>	• Is the lens cap removed?	• Remove the lens cap.	24
	• Is the lamp life near its end?	• Check the lamp use time on the menu, and if the lamp life is near its end, arrange for a replacement lamp, or replace a little earlier.	43
<b>With power on, operation starts but stops in a few minutes.</b>	• Is the air intake or exhaust area blocked?	• Turn off the MAIN POWER switch, remove any blocking objects, and turn on the MAIN POWER switch again.	6, 8, 15, 26
<b>Video image does not appear, or audio sound does not occur.</b>	• Is the correct input selected?	• Select the correct inputs with the VIDEO and COMPUTER buttons.	27
	• Are connected devices connected correctly?	• Connect connected devices correctly.	19
	• Are signals being supplied from the connected devices?	• Set connected devices correctly.	—
	• Are input signals (scanning frequency, etc.) appropriate?	• Check if the signal is correct as input (scanning frequency, etc.). Input the appropriate signal.	19
	• Is the source setting correctly selected? Isn't a wrong source (forced mode) selected?	• Set the source setting to AUTO or to the correct dedicated source (forced mode).	46, 47
	• Is brightness adjusted correctly?	• Adjust brightness on the menu.	39
	• Is volume set at minimum?	• Adjust volume with the remote control's VOL. (+/-) buttons.	28
	• Aren't video and audio turned off by pressing the remote control's AV MUTING button?	• Press the remote control's AV MUTING button to turn video and audio on.	29
<b>Video image dims.</b>	• Is focus adjusted correctly?	• Adjust focus with the remote control's FOCUS (+/-) buttons.	28, 31
	• Is distance too short or too long?	• Set the projector at the correct distance.	16, 17
	• Are TRACKING and PHASE adjusted correctly?	• Adjust TRACKING and PHASE on the menu.	31, 37
<b>Color is poor or unstable.</b>	• Is picture quality (color density, etc.) adjusted correctly?	• Adjust picture quality on the menu.	39
	• Is the correct broadcast system (color system) selected?	• Set the broadcast system (color system) to AUTO.	35
	• Are signals (scanning frequency, etc.) to connected devices appropriate?	• Check if the signal is appropriate (scanning frequency, etc.), and input the appropriate signal.	19
	• Is the source setting correctly selected? Isn't a wrong source (forced mode) selected?	• Set the source setting to AUTO. If the problem still persists, set it to the correct dedicated source (forced mode).	46

Symptom	Probable cause	Corrective action	Page
<b>The upper part of the video image bows or distorts.</b>	• While computer system signal is input, isn't a sync signal for composite sync (Cs) or G on sync being input?	• Input separate sync signals for vertical sync (V) and horizontal sync (H) signals.	12
	• Isn't signal with much jitter or skew distortion being input to a video deck?	• Input signals with little jitter or distortion.	—
	• Is the source setting correctly selected? Isn't a wrong source (forced mode) selected?	• Set the source setting to AUTO. If the problem still persists, set it to the correct dedicated source (forced mode).	46
<b>Video image and audio sound suddenly go out.</b>	• Are video picture and audio turned off by pressing the AV MUTING button on the remote control unit?	• Turn on video picture and audio by pressing the remote control's AV MUTING.	29
<b>Remote control unit does not work.</b>	• Are batteries installed correctly?	• Match the polarities of batteries correctly (+ to + and - to -).	14
	• Are batteries exhausted?	• Replace with new batteries.	14
	• Is there a shielding object between the remote control unit and the remote sensor?	• Remove any shielding objects.	18
	• Is the distance too long?	• Use the remote control unit at a nearer point.	18

\* This projector is equipped with a microcomputer that may operate abnormally due to interference from external components. If this happens, turn off the main power and disconnect the power cord from the wall AC outlet. Then reconnect the power cord to AC outlet and turn on the main power again.  
(For the turning on and off the power, see pages 25 to 26.)

## Maintenance

### • Stains on the cabinet

Should be wiped off with a soft cloth. If the cabinet is heavily stained, wipe it with a cloth soaked in water-diluted neutral detergent and wrung well, then wipe clean with a dry cloth.

### • Since the cabinet may deteriorate in quality, become damaged or get its paint peeled off, be careful about the following:

- Do not wipe it with a hard cloth.
- Do not wipe it strong.
- Do not wipe it with thinner or benzene.
- Do not apply any volatile substance such as insecticides to it.
- Do not allow any rubber or vinyl article to remain in contact with it for a long time.

### • Stains on the lens

Should be cleaned off with commercially available blowers or lens cleaning paper (for cleaning glasses and cameras).

Do not use liquid cleaning agents. This could cause the surface coating to be removed.

Do not rub or hit the lens as its surface is prone to damage.

# Specifications

## Optical mechanism system

- Projection method 3D-ILA device, 1 lens, 3 primary color optical shutter method
- D-ILA device 0.9" measured diagonally (1365 pixels × 1024 pixels) × 3 (Total number of pixels : 4,193,280)
- Projecting lens 1:1, fixed focal-length lens
- Screen size approx. 40" (101 cm) to approx. 200" (508 cm) measured diagonally (\*with aspect ratio : 4 : 3)
- Light-source lamp 420 W xenon lamp

## Electrical system

- Color system NTSC, NTSC4.43, PAL, SECAM (\* Automatic switching / manual switching)
- Resolution 1365 dots × 1024 dots (\*S-XGA full resolution, during RGB input)  
1000TV lines (\*Horizontal resolution, aspect ratio 4 : 3, during video input)
- Scanning frequency Horizontal frequency : 15 kHz ~ 82 kHz  
Vertical frequency : 50 Hz ~ 78 Hz

## Input / output

### [AV IN (AV IN input)]

- Y/C 1-line, mini-DIN 4 pin × 1  
Y (luminance signal) : 1V(p-p), 75Ω (negative sync)  
C (chroma signal) : 0.286V(p-p) (burst signal), 75Ω [NTSC]  
: 0.3V(p-p) (burst signal), 75Ω [PAL]
- VIDEO 1-line, BNC × 1  
Composite video signal : 1V(p-p), 75Ω (negative sync)
- Y, P<sub>B</sub>/B-Y, P<sub>R</sub>/R-Y 1-line, BNC × 3  
Component (Y,B-Y,R-Y) signals  
Y : 1V(p-p), 75Ω (negative sync)  
B-Y : 0.7V(p-p), 75Ω  
R-Y : 0.7V(p-p), 75Ω  
DTV-format signals  
[480i (ITU-R BT. 601-4), 480p (SMPTE 293M)]  
Y : 1V(p-p), 75Ω (negative sync)  
P<sub>B</sub>, P<sub>R</sub>: 0.7V(p-p), 75Ω  
[720p (SMPTE 296M), 1080i (SMPTE 274M)]  
Y : 1V(p-p), 75Ω (3-value sync)  
P<sub>B</sub>, P<sub>R</sub>: 0.7V(p-p), 75Ω
- AUDIO L/R (for AV IN) 1-line, RCA × 2  
Audio signal : 0.5V(rms), high impedance

### [COMPUTER IN (COMPUTER input)]

- COMPUTER IN-1 (PC) 1-line, D-sub 3-row 15 pin × 1  
Analog RGB signal  
R : 0.7V(p-p), 75Ω  
B : 0.7V(p-p), 75Ω  
G : 0.7V(p-p), 75Ω  
G on Sync : 1V(p-p), 75Ω (negative sync)  
Sync signal : 1V(p-p) to 5V(p-p), high impedance (positive/negative polarity)  
\* Some connected devices may not correspond to composite sync (Cs) or G on sync signal.
- AUDIO (For COMPUTER IN-1) 1-line, stereo mini-jack × 1  
0.5V(rms), high impedance
- COMPUTER IN-2 1-line, BNC × 5  
Analog RGB signal  
R : 0.7V(p-p), 75Ω  
B : 0.7V(p-p), 75Ω  
G : 0.7V(p-p), 75Ω  
G on sync : 1V(p-p), 75Ω (negative sync)

## Specifications (Cont.)

### Horizontal sync/composite sync signal (H/Cs)

H : 1V(p-p) to 5V(p-p), high impedance (positive/negative polarity)

Cs : 1V(p-p) to 5V(p-p), high impedance (positive/negative polarity)

### Vertical sync signal (V)

V : 1V(p-p) to 5V(p-p), high impedance (positive/negative polarity)

\* Some connected devices may not correspond to composite sync (Cs) or G on sync signal.

- AUDIO : 1-line, stereo mini-jack × 1  
(For COMPUTER IN-2) 0.5V(rms), high impedance

### [COMPUTER OUT (COMPUTER OUTPUT)]

- COMPUTER OUT : 1-line, D-sub 3-row 15-pin × 1

#### Analog RGB signal

R : 0.7V(p-p), 75Ω

B : 0.7V(p-p), 75Ω

G : 0.7V(p-p), 75Ω

G on sync : 1V(p-p), 75Ω (negative sync)

#### Horizontal sync/composite sync signal (H/Cs)

H : TTL level (Polarity : Same for input)

Cs : TTL level (Polarity : Same for input)

#### Vertical sync signal (V)

V : TTL level (Polarity : Same for input)

- AUDIO OUT : 1-line, stereo mini-jack × 1  
0V(rms) to 0.5V(rms) (variable output)

### [CONTROL]

- RS-232C : 1-line, D-sub 9-pin × 1  
\* RS-232C-interface specified control terminal for controlling this projector with a personal computer.
- REMOTE : 1-line, mini-jack × 1  
\* Remote terminal for connecting an infrared remote sensor extension unit, etc.

### [Other]

- Audio power output : 1 W + 1 W  
(effective)
- Built-in speaker : 6 cm × 3 cm (2<sup>-3/8</sup>" × 1<sup>-1/8</sup>" ) oval type × 2, impedance 8Ω

## General

- Power requirements : AC120 V, 60 Hz
- Power consumption : 8 A (7 W during stand-by)
- Allowable operation temperature : + 5°C to + 35°C (41°F to 95°F)
- Allowable relative humidity : 20% to 80% (no condensation)
- Allowable storage temperature : - 10°C to + 60°C (14°F to 140°F)
- Maximum outside dimensions : Approx. (W)425 mm × (H)246 mm × (D)416 mm (16<sup>-3/4</sup>" × 9<sup>-3/8</sup>" × 16<sup>-3/8</sup>" )  
(excluding protruding parts)
- Weight : Approx. 32.78 lbs.(14.9kg)
- Accessories : (Refer to page 5.)

\* Design and specifications are subject to change without notice.

\* D-ILA devices are manufactured with a very high-precision technology, allowing 99.99% of the pixels to be effective. Only 0.01% or less of the pixels are missing or always on.

\* For easy understanding, pictures and illustrations are shown by being emphasized, omitted or composed, and may be more or less different from actual products.

#### \*TRADEMARKS

IBM, IBM PC, and VGA are registered trademarks of International Business Machines Corporation. Macintosh is registered trademarks of Apple Computer, Inc.

VESA is a trademark of the non-profit organization Video Electronics Standard Association.

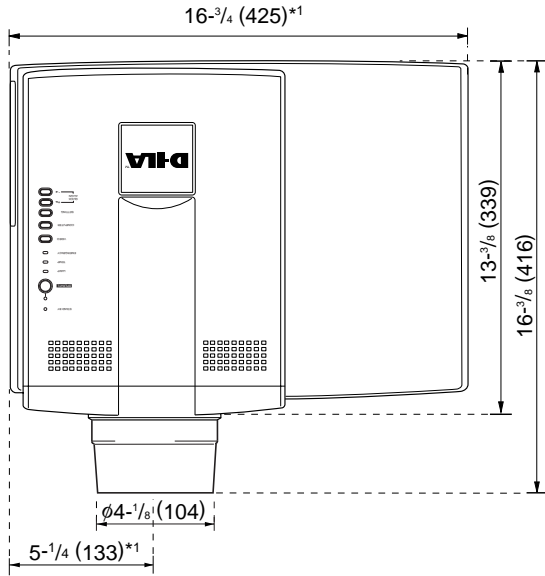
All other product names mentioned herein are used for identification purposes only, and may be the trademarks or registered trademarks of their respective companies.



Outside dimensions

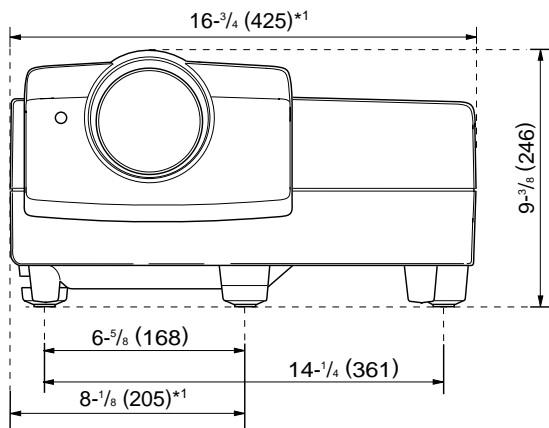
■ Top

Unit: Inch (mm)

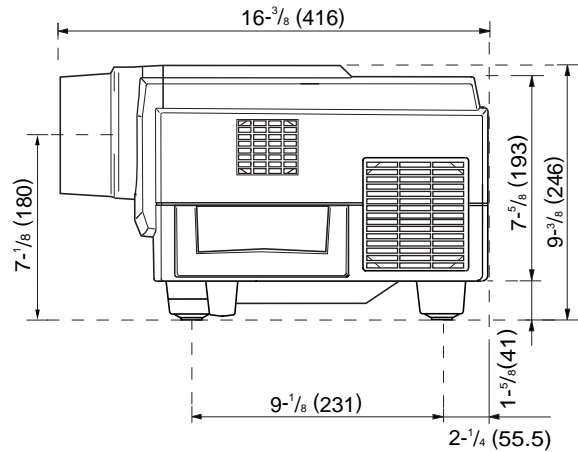


\*1: Protrusion excluded

■ Front



■ Side



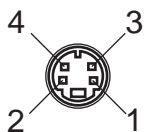
DTV-format signals

\* The following are DTV-format signals that can be input.

DTV-Formats	480i	480p	720p	1080i
Signal Standard	ITU-R BT. 601-4	SMPTE 293M	SMPTE 296M	SMPTE 274M
Scanning Line / Frame	525	525	750	1125
Effective Samples x Scanning Lines	720 x 485	720 x 483	1280 x 720	1920 x 1080
Samples / Total Line	858	858	1650	2200
Field Frequency(Hz)	59.94	59.94	60/59.94	60/59.94
Line Frequency(Hz)	15734	31468.5	45000/44955	33750/33716.25
Interlace Ratio	0.5	1	1	0.5

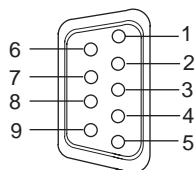
## Pin assignment (Specifications for terminals)

### ■ Y/C terminal



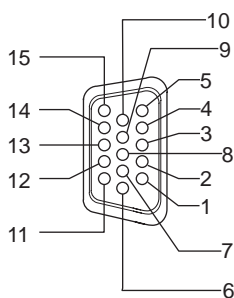
Pin number	Signal name
1	GND (Y)
2	GND (C)
3	Y
4	C

### ■ RS-232C terminal



Pin number	Signal name	Pin number	Signal name
1	N/C	6	N/C
2	RD	7	N/C
3	TD	8	N/C
4	N/C	9	N/C
5	GND		

### ■ COMPUTER IN-1 (PC) / COMPUTER OUT Terminal



Pin number	Signal name	Pin number	Signal name
1	Red	9	N/C
2	Green	10	GND (SYNC)
3	Blue	11	GND
4	N/C	12	N/C
5	N/C	13	H.SYNC
6	GND (Red)	14	V.SYNC
7	GND (Green)	15	N/C
8	GND (Blue)		



**MANUEL D'INSTRUCTIONS**

**PROJECTEUR D-ILA™**

**DLA-S15U**

**FRANÇAIS**

Merci d'avoir acheté ce projecteur. Avant de l'utiliser, lisez et respectez attentivement toutes les instructions pour profiter au maximum des capacités du projecteur.

# PRÉCAUTIONS DE SÉCURITÉ

## INFORMATIONS IMPORTANTES

### AVERTISSEMENT:

**POUR ÉVITER TOUT RISQUE D'INCENDIE OU D'ÉLECTROCUTION, N'EXPOSEZ PAS CET APPAREIL À LA PLUIE OU À L'HUMIDITÉ.**

### ATTENTION:

Pour réduire les risques d'électrocution, ne retirez pas le couvercle. Référez-vous à un personnel qualifié pour toute réparation.

Ce projecteur est équipé d'une fiche avec mise à la terre à trois broches qui respecte le règlement FCC. Si vous ne pouvez pas insérer la fiche dans la prise secteur, contactez votre électricien.

### INFORMATIONS FCC (États-Unis seulement)

**ATTENTION:** Tout changement ou modification non approuvés par JVC peut annuler l'autorisation de l'utilisateur d'utiliser l'appareil.

**REMARQUE:** Cet appareil a été testé et trouvé conforme avec les limites des appareils numériques de Classe A, conformément à la section 15 du règlement FCC. Ces limites sont conçues pour offrir une protection raisonnable contre les interférences nuisibles quand l'appareil est utilisé dans un environnement commercial. Cet appareil produit, utilise et peut émettre de l'énergie radiofréquence et peut causer des interférences nuisibles aux communications radio s'il n'est pas utilisé conformément au mode d'emploi. L'utilisation de cet appareil dans une zone résidentielle peut causer des interférences nuisibles et dans ce cas, l'utilisateur doit corriger ces interférences à ses propres frais.

### À propos de la brûlure du dispositif D-ILA

Ne projetez pas la même image fixe pendant longtemps ni ne projetez une image vidéo anormalement brillante.

Ne projetez pas d'images vidéo avec une intensité ou un contraste élevé sur un écran. L'image vidéo pourrait brûler le dispositif D-ILA.

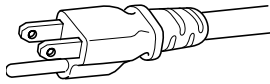
Faites particulièrement attention lors de la projection d'images de jeux vidéo de programmes informatiques. Il n'y a pas de problème avec les images de lecture de cassettes vidéo.

## IMPORTANTES MESURES DE SÉCURITÉ

L'énergie électrique peut remplir beaucoup de fonctions utiles. Cet appareil a été conçu et fabriqué pour assurer votre propre sécurité. Mais **UNE UTILISATION INCORRECTE PEUT ENTRAÎNER UN RISQUE POTENTIEL D'ÉLECTROCUTION OU D'INCENDIE.** Afin de ne pas annuler les dispositifs de sécurité incorporés dans cet appareil, observez les règles fondamentales suivantes pour son installation, son utilisation et sa réparation. Veuillez lire attentivement ces "Importantes mesures de de sécurité" avant d'utiliser l'appareil.

- Toutes les instructions de sécurité et de fonctionnement doivent être lues avant l'utilisation de l'appareil.
- Les instructions de sécurité et de fonctionnement doivent être conservées à titre d'information.
- Tous les avertissements sur l'appareil et dans le mode d'emploi doivent être compris et acceptés.
- Toutes les instructions de fonctionnement doivent être suivies.
- Débranchez cet appareil de la prise murale avant de le nettoyer. N'utilisez pas de nettoyant liquide ou aérosol. Utilisez un chiffon humide pour le nettoyage.
- N'utilisez pas d'accessoires non recommandés par le fabricant de l'appareil car ils pourraient être dangereux.
- N'utilisez pas ce produit près de l'eau. Ne l'utilisez pas immédiatement après l'avoir déplacé d'une basse température à une température élevée, car cela produit une condensation d'humidité qui peut entraîner un incendie, une électrocution ou d'autres dangers.
- Ne placez pas cet appareil sur un chariot, un socle ou une table instable. L'appareil risquerait de tomber, de blesser gravement un enfant ou un adulte et d'être sérieusement endommagé. L'appareil doit être monté conformément aux instructions du fabricant et doit utiliser un support recommandé par le fabricant.
- Quand vous utilisez l'appareil sur un chariot, faites attention aux arrêts brusques, aux forces excessives et aux surfaces accidentées qui pourraient causer un renversement de l'appareil, risquant de l'endommager ou de blesser l'opérateur.
- Les fentes et les ouvertures du coffret sont nécessaires pour la ventilation. Elles assurent un fonctionnement sûr de l'appareil et le protègent d'une surchauffe. Ces ouvertures ne doivent pas être bloquées ou recouvertes. (Les ouvertures ne doivent jamais être bloquées en plaçant l'appareil sur un lit, un divan, un tapis ou une surface similaire. Il ne doit pas être encastré comme dans une bibliothèque ou un bâti sauf si une ventilation correcte existe et si les instructions du fabricant ont été respectées.)  
Pour une ventilation correcte, séparez l'appareil des autres appareils qui peuvent empêcher cette ventilation et conservez un espacement de plus de 50 cm (19<sup>-3/4</sup> pouces).



- Cet appareil doit être alimenté avec l'alimentation secteur indiquée sur l'étiquette. Si vous n'êtes pas sûr du type d'alimentation secteur de votre maison, consultez le revendeur de l'appareil ou votre compagnie d'électricité.
  - Cet appareil est équipé d'une fiche à trois broches. Elle ne peut être branchée que dans une prise secteur avec mise à la terre. Si vous ne pouvez pas insérer la fiche dans la prise, contactez votre électricien afin qu'il installe une prise correcte. N'allez pas à l'encontre du but de sécurité de la fiche avec mise à la terre.
  - Les cordons d'alimentation doivent être acheminés de façon qu'ils ne soient pas écrasés ou coincés par des objets placés sur eux ou contre eux. Faites particulièrement attention aux cordons à l'endroit des portes, des fiches et prises, et à l'endroit où ils sortent de l'appareil.
  - Pour une meilleure protection de l'appareil pendant un orage, ou quand il est laissé sans surveillance ou n'est pas utilisé pendant une longue période de temps, débranchez-le de la prise secteur murale et déconnectez le système de câbles. Cela évitera qu'il soit endommagé lors d'un orage ou par une surtension.
  - Ne surchargez pas les prises murales, les cordons prolongateurs ou les prises de courant sur les autres appareils car cela pourrait entraîner un risque d'incendie ou d'électrocution.
  - N'insérez jamais d'objets d'aucune sorte à l'intérieur de cet appareil à travers les ouvertures car ils pourraient toucher des points de tension dangereuse ou créer un court-circuit qui pourrait entraîner un incendie ou une électrocution. Ne versez jamais de liquide d'aucune sorte dans l'appareil.
  - N'essayez pas de réparer cet appareil vous-même car l'ouvrir ou retirer les couvercles peut vous exposer à des tensions dangereuses ou à d'autres dangers. Référez-vous à un personnel qualifié pour toute réparation.
  - Débranchez l'appareil de la prise secteur murale et contactez un réparateur qualifié dans les conditions suivantes:
    - a) Quand le cordon ou la fiche d'alimentation secteur est endommagés.
    - b) Si un liquide a coulé ou si un objet est tombé à l'intérieur de l'appareil.
    - c) Si l'appareil a été exposé à la pluie ou à l'eau.
    - d) Si l'appareil ne fonctionne pas normalement en suivant les instructions de fonctionnement. Ajustez uniquement les commandes couvertes par le mode d'emploi, car un ajustement incorrect des commandes peut endommager l'appareil et demandera souvent beaucoup de temps à un technicien qualifié pour ramener l'appareil en état de fonctionnement normal.
    - e) Si l'appareil est tombé ou a été endommagé de n'importe quelle autre façon.
    - f) Quand l'appareil montre un changement évident dans ses performances – cela indique qu'il a besoin d'être réparé.
  - Quand le remplacement de pièces est nécessaire, assurez-vous que le réparateur a utilisé les pièces de rechange spécifiées par le fabricant ou possédant les mêmes caractéristiques que la pièce originale. Un remplacement non-autorisé peut entraîner un incendie, une électrocution ou d'autres dangers.
  - Après que cet appareil a subi une réparation ou un entretien, demandez au réparateur de réaliser les vérifications de sécurité pour déterminer si l'appareil est en état de fonctionnement correct.
  - L'appareil doit être placé à plus de trente centimètres de sources de chaleur comme un radiateur, un fourneau ou tout autre appareil (y compris les amplificateurs) produisant de la chaleur.
  - Lors de la connexion d'autres appareils comme des magnétoscopes ou des ordinateurs personnels, vous devez mettre cet appareil hors tension pour vous protéger contre les chocs électriques.
  - Ne placez pas de produits combustibles derrière le ventilateur de refroidissement. Par exemple, du tissu, du papier, des allumettes, des bombes aérosols ou des briquets à gaz qui présentent des dangers particuliers s'ils sont chauffés.
  - Ne regardez pas dans l'objectif de projection quand la lampe d'éclairage est allumée. Une exposition de vos yeux à une forte lumière peut affaiblir votre vue.
  - Ne regardez pas à l'intérieur de cet appareil à travers les événements (trous de ventilation), etc. Ne regardez pas directement la lampe d'éclairage en ouvrant le coffret pendant que celle-ci est allumée. La lampe d'éclairage émet aussi des rayons ultraviolets et la lumière est si forte que votre vue pourrait être affaiblie.
  - Du gaz xénon est contenu sous haute pression à l'intérieur de la lampe source de lumière (module lampe) de ce projecteur. Si vous la laissez tomber, la frappez ou la jetez, il y a un risque d'explosion pouvant entraîner des blessures personnelles. Faites très attention lors de la manipulation de la lampe. S'il y a quelque chose que vous ne comprenez pas, contactez votre revendeur.
  - Utilisez uniquement le cordon fourni conçu pour cet appareil afin d'éviter tout choc électrique.
- La tension d'alimentation secteur de cet appareil est de 120 V CA, le cordon d'alimentation fourni est conforme à cette alimentation secteur. Utilisez uniquement le cordon d'alimentation désigné par nos revendeurs pour la sécurité et la compatibilité électromagnétique (EMC).
- Si l'appareil est utilisé avec une tension d'alimentation secteur différente, le cordon d'alimentation doit être changé.
- Consultez votre revendeur.
- Cordon d'alimentation
- 
- Tension d'alimentation secteur: 120 V CA
- \* NE LAISSEZ PAS une personne non qualifiée installer l'appareil.**  
 Demandez au revendeur d'installer l'appareil (par exemple, la fixation au plafond) car cela demande des connaissances et des techniques spéciales.  
 Si l'installation est réalisée par une personne non qualifiée, cela pourrait entraîner des blessures personnelles ou une électrocution.

# Table des matières

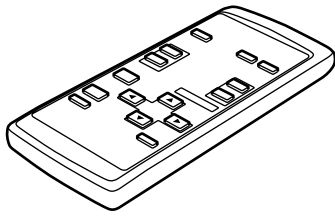
---

<b>PRÉCAUTIONS DE SÉCURITÉ .....</b>	<b>2</b>	<b>Utilisation du menu de réglage .....</b>	<b>31</b>
<b>Accessoires .....</b>	<b>5</b>	Réglages de base .....	31
<b>Commandes et fonctions .....</b>	<b>6</b>	<b>Utilisation du menu principal .....</b>	<b>32</b>
Face avant/ Surface supérieure/ Face droite .....	6	Configuration du menu principal (entrée AV) .....	32
Face gauche .....	7	Utilisation du menu principal (Fonctionnement	
Surface inférieure .....	8	de base du menu principal) .....	34
Panneau de commande .....	9	Modification du système de couleur .....	35
Panneau de connexion .....	11	Modification de la langue d'affichage .....	36
Télécommande .....	13	Ajustement de l'horloge pixel .....	37
Mise en place des piles .....	14	Ajustement de la position de l'écran .....	38
<b>Installation du projecteur .....</b>	<b>15</b>	Ajustement de la qualité de l'image .....	39
Précautions pour l'installation .....	15	Ajustement de la qualité du son .....	42
Distance de projection et taille de l'écran .....	16	Réglage et ajustement des autres fonctions	
Relation entre les distances de projection		(OPTIONS) .....	43
et la taille de l'écran .....	17	Modification (réglage) de la source .....	46
Plage et distance effective de la télécommande ....	18	<b>Remplacement de la lampe source de</b>	
Réglage de la vis de sélection de position		<b>lumière .....</b>	<b>48</b>
pour le montage au plafond .....	18	Remise à zéro de la durée d'utilisation	
<b>Connexion de divers appareils .....</b>	<b>19</b>	de la lampe .....	50
Signaux pouvant être entrés dans le projecteur ....	19	<b>Nettoyage et remplacement du filtre ....</b>	<b>51</b>
Connexion à des appareils vidéo .....	20	<b>Guide de dépannage .....</b>	<b>52</b>
Connexion à des appareils "Hi-Vision" .....	20		
Connexion d'autres appareils .....	21		
Connexion à des appareils			
qui commandent le projecteur .....	21		
Connexion à des ordinateurs .....	22		
Connexion du cordon d'alimentation (fourni) .....	24		
Mise sous tension des appareils connectés			
au projecteur .....	25		
<b>Fonctionnement de base .....</b>	<b>26</b>		
1. Mise sous tension .....	26		
2. Sélection de l'entrée vidéo à projeter .....	27		
3. Ajustement de la mise au point .....	28		
4. Ajustement du volume sonore .....	28		
• Pour utiliser les autres fonctions .....	29		

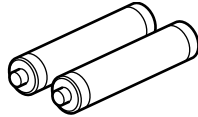
\* Ce mode d'emploi est divisé en deux parties de langue différente: anglais et français.

# Accessoires

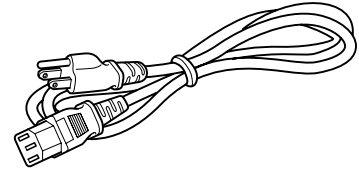
Les accessoires suivants sont fournis avec ce projecteur. Vérifiez s'ils sont bien tous présents. Si l'un de ces accessoires manque, veuillez contacter votre revendeur.



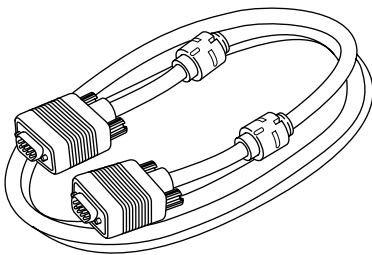
Télécommande (RM-M10SG)



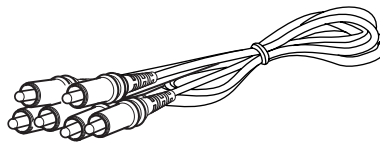
Piles sèches AAA/R03 (×2)  
(pour vérifier le fonctionnement)



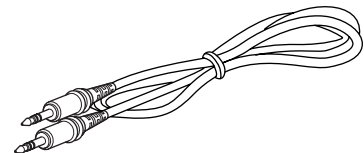
Cordon d'alimentation  
[env. 2,5 m (8,2 pieds)]



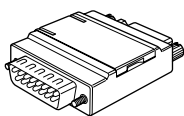
Câble de connexion à l'ordinateur  
personnel [env. 2 m (6,56 pieds)]  
(D-sub, 15 broches sur 3 rangées)



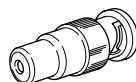
Câble de connexion audio/vidéo  
[env. 1,5 m (4,92 pieds)]



Câble audio  
[env. 3 m (9,84 pieds)]  
(3,5 mm dia. mini-fiche stéréo)



Adaptateur de conversion pour Mac  
(pour Macintosh)

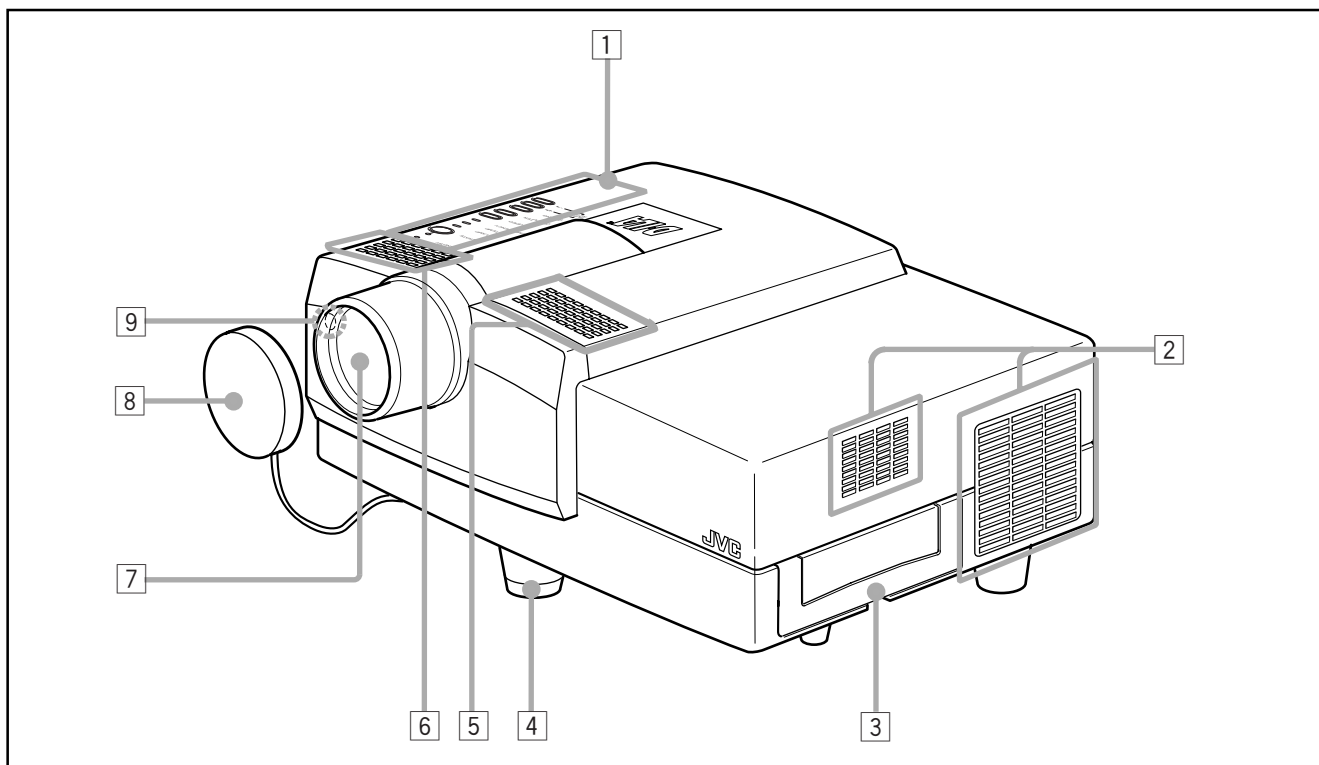


Fiche de conversion BNC-RCA



# Commandes et fonctions

## Face avant / Surface supérieure/ Face droite



### 1 Panneau de commande

Pour plus de détails, référez-vous à "Panneau de commande" (page 9).

### 2 Événements de sortie d'air

Événements pour les ventilateurs de refroidissement par lesquels sort l'air chaud.

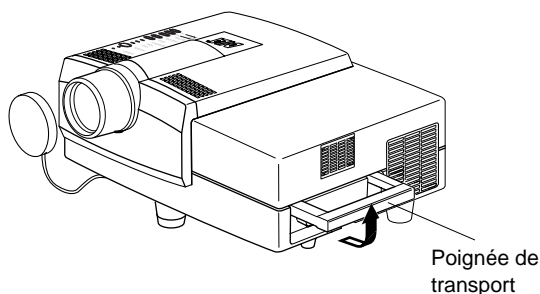
### ATTENTION

- Ne bloquez pas les événements de sortie d'air car la chaleur s'accumulerait à l'intérieur de l'appareil, pouvant provoquer un incendie. Ne touchez pas non plus les événements, vous pourriez subir des brûlures à basse température.

### 3 Poignée de transport

Soulevez cette poignée lors du transport du projecteur.

#### Comment utiliser la poignée de transport



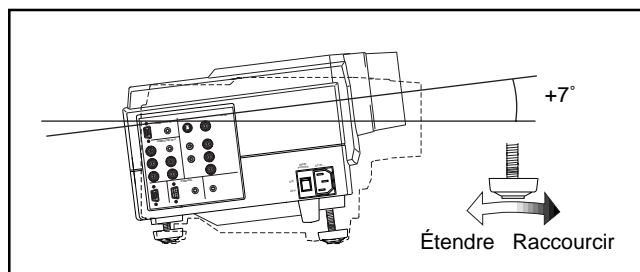
### ATTENTION

- Lors du transport du projecteur, ne le bousculez pas. Faites attention de bien le tenir.
- Ne le déplacez pas quand la lampe est allumée ou quand le ventilateur de refroidissement fonctionne. Cela pourrait blesser quelqu'un.

### 4 Pied ajustable (pour l'ajustement de l'angle supérieur/inferieur)

A l'expédition de l'usine, il est ajusté pour être plat. Tourner pour étendre le pied permet un ajustement de +7°.

\* Ce pied ajustable peut être retiré. Tournez le pied et étendez-le pour le retirer. (La taille de la vis utilisée est M8.)



### 5 Haut-parleur intégré (gauche)

### 6 Haut parleur intégré (droit)

### 7 Objectif

Avant la projection retirez le capuchon d'objectif.

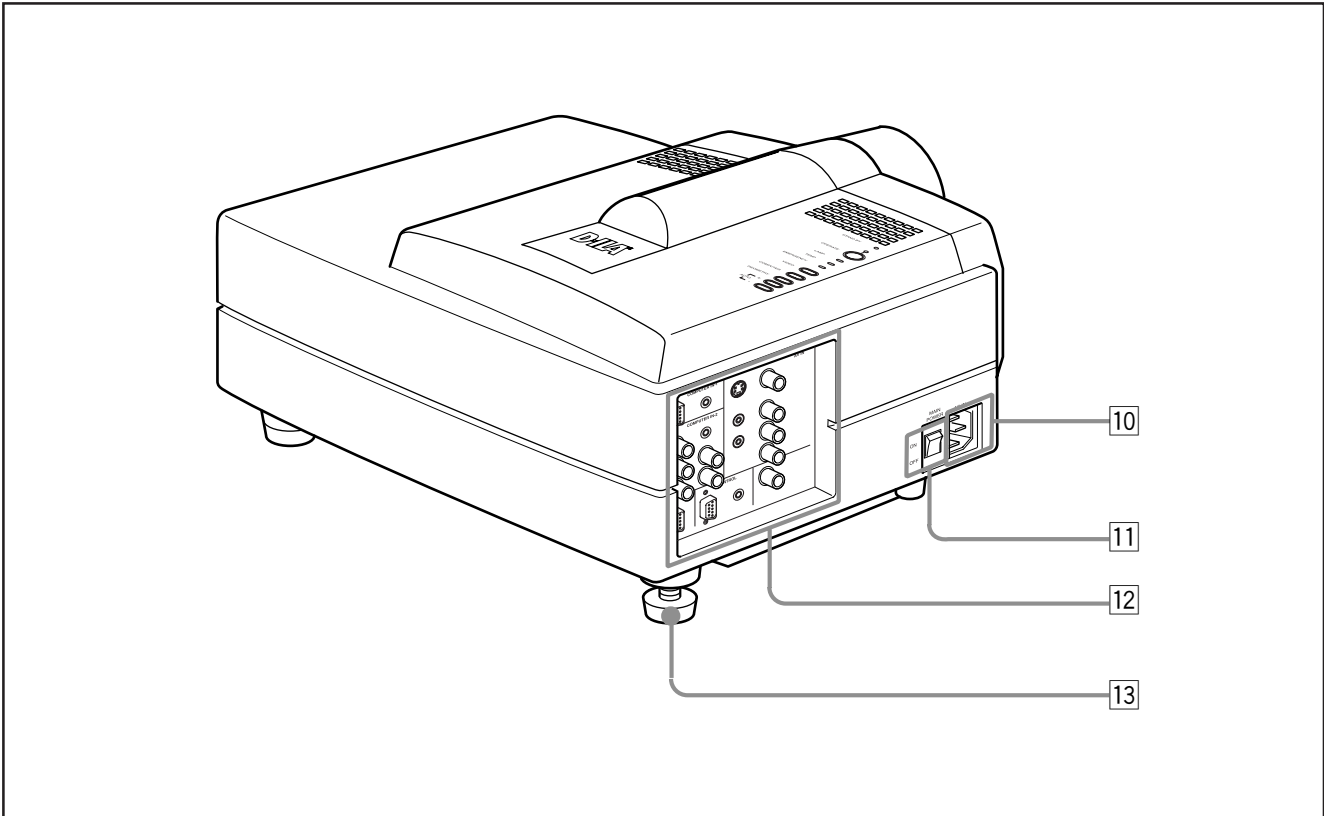
### 8 Capuchon d'objectif

Le capuchon a un fil attaché qui est lui-même fixé au projecteur à l'expédition de l'usine. Il est recommandé de remettre le capuchon en place quand le projecteur n'est pas utilisé pour éviter que l'objectif ne devienne sale.

### 9 Capteur de télécommande

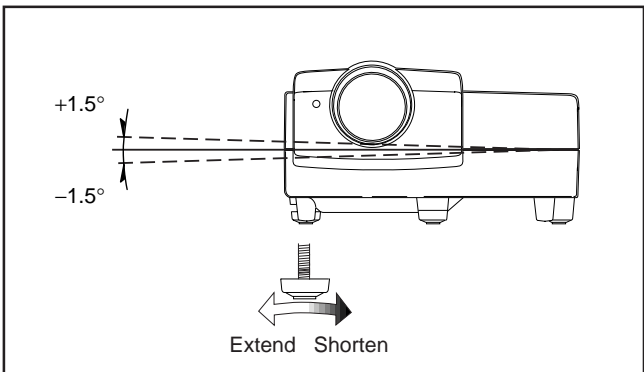
Lors de l'utilisation de la télécommande, dirigez-la vers ce capteur. Vous pouvez aussi utiliser la télécommande en la pointant sur l'écran et en permettant au capteur de télécommande de recevoir le rayon réfléchi.

**Left-hand side**



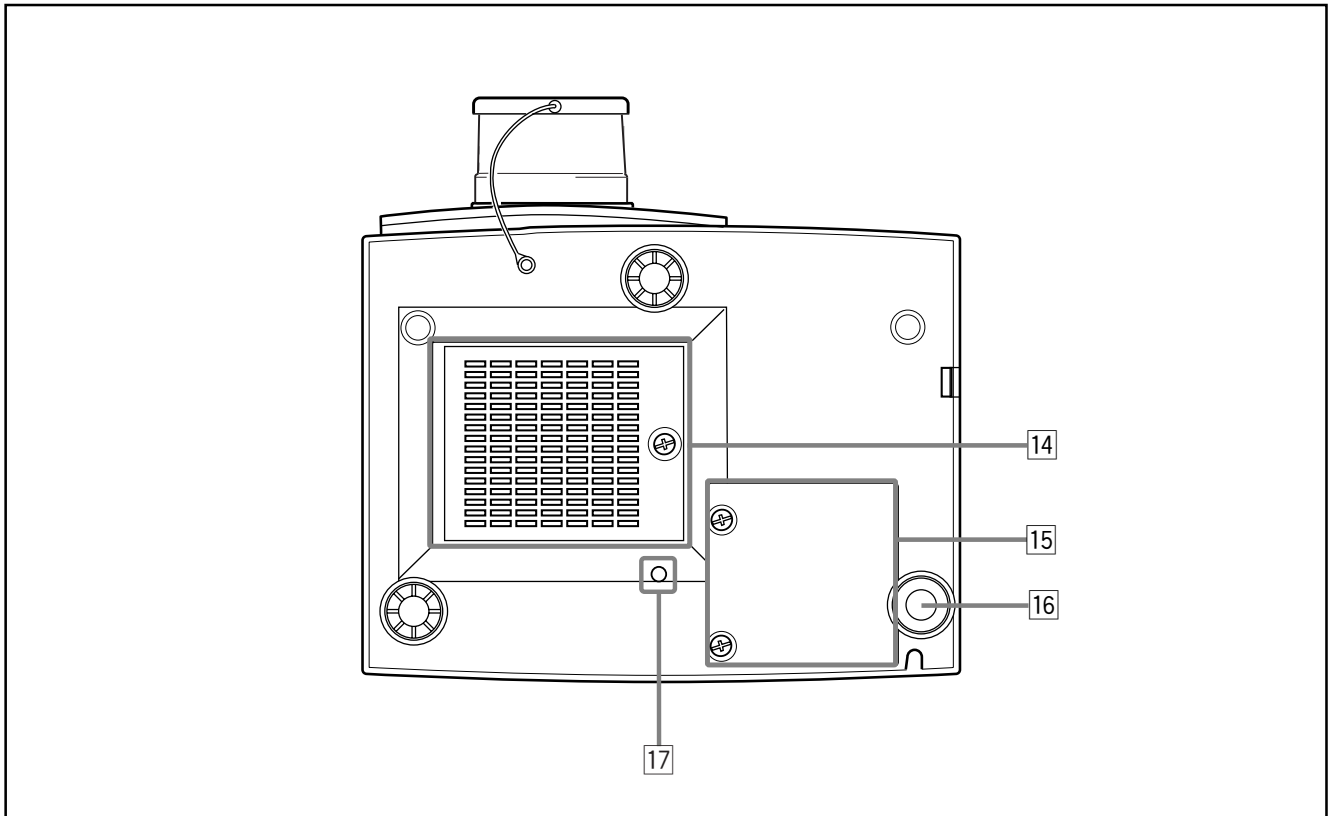
- 10 AC IN (power input) terminal**  
This is the power input terminal where the supplied power cord is connected. For details, refer to page 24.
- 11 MAIN POWER switch**  
This is the main power switch. When it is turned on, the projector goes into "stand-by state, and the STAND BY indicator on the control panel comes on.  
**ON [I]:** The main power turns on.  
**OFF [O]:** The main power turns off.
- 12 Connector panel**  
For details, refer to "Connector Panel" on page 11.

- 13 Adjustable foot (for horizontal angle adjustment)**  
It is set at the shortest position when shipped from the factory. Turn the foot to make the projector level. Adjustment can be made in the range of + 1.5° and - 1.5° from the horizontal position.  
\* This adjustable foot can be removed. Turn the foot and extend it until removed. (Screw size available here is M5)



ENGLISH

### Surface inférieure



#### 14 Zone d'entrée d'air (filtre)

L'air entre par cette zone pour refroidir la lampe source de lumière. Si cette zone est bloquée ou s'il y a quelque chose qui empêche l'entrée d'air placé autour du projecteur, la chaleur risque de s'accumuler à l'intérieur de l'appareil pouvant causer un incendie. Pour les détails, référez-vous à "Précautions pour l'installation" à la page 15.

#### ATTENTION

- Faites attention car du papier, du tissu ou un coussin mou peut être aspiré à l'intérieur s'il est placé à proximité. Ne bloquez pas la zone d'entrée d'air ou la chaleur risque de s'accumuler à l'intérieur risquant de causer un incendie.
- Nettoyez le filtre périodiquement. Pour les détails, référez-vous à "Nettoyage et remplacement du filtre" à la page 51. L'accumulation de saleté sur le filtre réduit l'effet de refroidissement, entraînant une accumulation interne de chaleur qui peut causer un incendie ou un mauvais fonctionnement.

#### 15 Ouverture pour le remplacement de la lampe source de lumière

Pour le remplacement de la lampe source de lumière, référez-vous à "Remplacement de la lampe source de lumière" à la page 48.

#### 16 Pied de fixation

Sous le joint en caoutchouc, sous ce pied, il y a un trou percé. (La taille de la vis utilisée est M8.)

#### 17 Vis de sélection de position pour le montage au plafond

Lors de l'utilisation du projecteur à l'envers ou dans un montage au plafond (insertion haut-bas et droite-gauche), la "vis de sélection de position pour le montage au plafond" doit être réglée sur le montage au plafond.

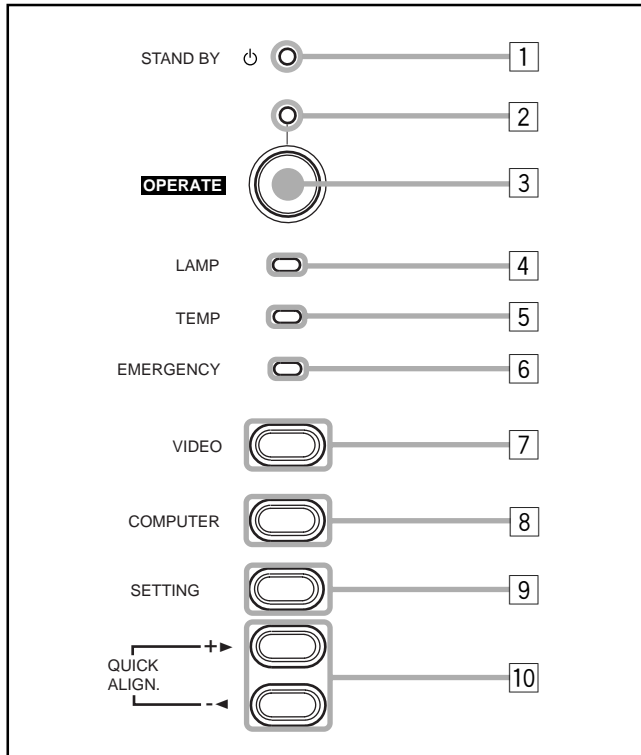
Cela corrigera l'écart dans les images couleur (ombres), qui autrement pourrait se produire lors d'un montage au plafond.

Pour plus d'informations, référez-vous à "Réglage de la vis de sélection de position pour le montage au plafond" à la page 18.

#### ATTENTION

- Pour le montage au plafond et l'ajustement du projecteur des connaissances et des techniques spéciales sont nécessaires. Demandez à votre revendeur ou à un spécialiste de s'en occuper.

## Panneau de commande



### 1 Indicateur STAND BY

**Allumé** : Quand l'appareil est en mode d'attente.

**Clignote** : Quand l'appareil est en mode de refroidissement.

#### Mémo

#### À propos du mode de refroidissement:

Ce projecteur a une fonction pour refroidir la lampe qui a chauffé pendant une période fixe de temps après que la projection est finie. Cette fonction est appelée le mode de refroidissement.

#### ATTENTION

- Le but du mode de refroidissement est d'éviter aux pièces intérieures d'être déformées ou cassées par la chaleur de la lampe, de même que de prolonger la vie de la lampe. Ne mettez pas l'appareil hors tension pendant le mode de refroidissement. De plus, ne placez pas le projecteur sur le côté ni debout; cela bloquerait les événements de sortie d'air.

### 2 Indicateur OPERATE

**Allumé**: Quand le projecteur fonctionne (pendant la projection).

### 3 Touche OPERATE

Quand le projecteur est en mode d'attente, appuyez sur cette touche pour mettre l'appareil sous tension, allumant l'indicateur OPERATE. Appuyez de nouveau pour mettre le projecteur en mode de refroidissement, puis en mode d'attente.

#### Mémo

#### Pendant le mode de refroidissement:

Si vous appuyez sur la touche OPERATE, le projecteur n'est pas mis sous tension.

### 4 Indicateur LAMP

**Allumé** : Après que la lampe source de lumière a été utilisée pendant environ plus de 900 heures.

**Clignote** : Remplacez la lampe. Référez-vous à "Remplacement de la lampe source de lumière" à la page 48.

### 5 Indicateur TEMP

**Allumé**: La température à l'intérieur du projecteur est anormalement élevée.

#### Remarque

- Quand l'indicateur TEMP est allumé (quand la température est anormalement élevée), l'alimentation est coupée automatiquement et l'appareil entre en mode d'urgence (l'indicateur EMERGENCY clignote).

### 6 Indicateur EMERGENCY

**Clignote**: Quelque chose d'anormal s'est produit avec le projecteur.

#### Mémo

#### À propos du mode d'urgence:

Le mode d'urgence est déclenché quand les anomalies suivantes se produisent avec le projecteur (l'indicateur EMERGENCY clignote). En mode d'urgence, la projection est automatiquement interrompue et les ventilateurs de refroidissement fonctionnent pendant environ 20 secondes.

- Quand le filtre à air est mal placé.
- Quand le filtre est bouché.
- Quand la lampe source de lumière s'est soudainement éteinte.
- Quand les ventilateurs se sont arrêtés.
- Quand la température à l'intérieur du projecteur est anormalement élevée.

#### ATTENTION

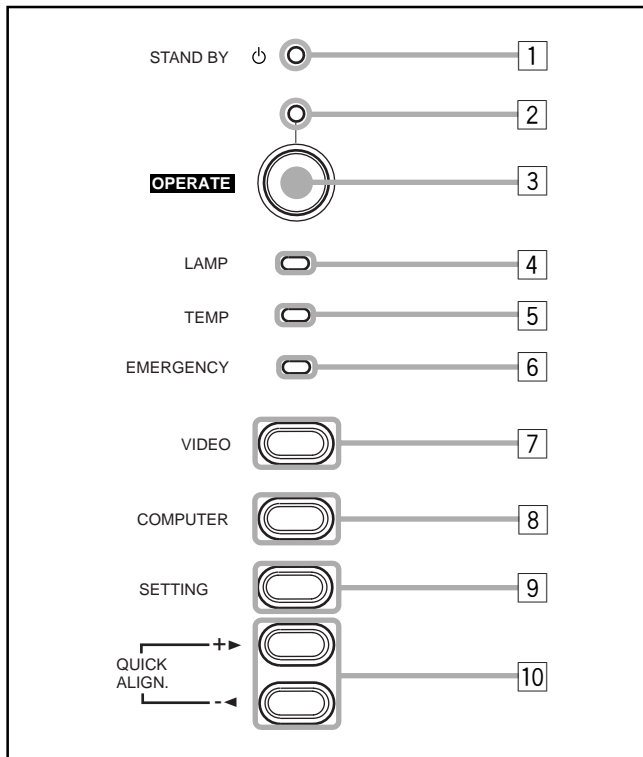
#### • Quand le mode d'urgence se déclenche:

Après que les ventilateurs de refroidissement se sont arrêtés, mettez l'appareil hors tension et débranchez le cordon d'alimentation de la prise secteur murale.

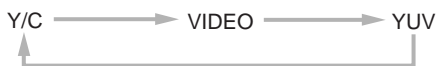
Assurez-vous que le couvercle de remplacement de la lampe est correctement fermé. Branchez alors de nouveau le cordon d'alimentation et faites fonctionner le projecteur.

Si le projecteur retourne de nouveau en mode d'urgence après que les ventilateurs de refroidissement se sont arrêtés, mettez l'appareil hors tension et appelez votre revendeur pour faire réparer le projecteur.

**Panneau de commande (suite)**



**7 Touche VIDEO**  
 Utilisez cette touche pour choisir un appareil vidéo connecté aux prises AV IN du projecteur. Chaque fois que vous appuyez sur la touche, l'appareil choisi change comme suit:



**8 Touche COMPUTER**  
 Utilisez cette touche pour choisir un appareil connecté aux prises COMPUTER -1 ou -2. Chaque fois que vous appuyez sur la touche, l'appareil choisi change comme suit:



**9 Touche SETTING**  
 Utilisez cette touche pour appeler le menu de réglage. Pour les détails, référez-vous à "Réglages de base" à la page 31.

**10 Touches QUICK ALIGN.**  
 Quand un écran de menu apparaît, utilisez ces touches pour ajuster la valeur de l'élément choisi. Quand aucun menu n'apparaît, ces touches peuvent être utilisées pour la fonction d'alignement rapide.

- **Quand un menu apparaît**  
**Touche + ►:** La valeur pour l'élément choisi augmente.  
**Touche - ◀:** La valeur pour l'élément choisi diminue.
- **Quand aucun menu n'apparaît**  
**Appuyez en même temps sur les touches + ► et - ◀:** QUICK ALIGNMENT est affiché sur l'écran et la fonction d'ajustement rapide entre en service (TRACK, PHASE, POSITION H. et POSITION V. sont automatiquement ajustés). Quand l'ajustement est terminé, l'affichage disparaît automatiquement.

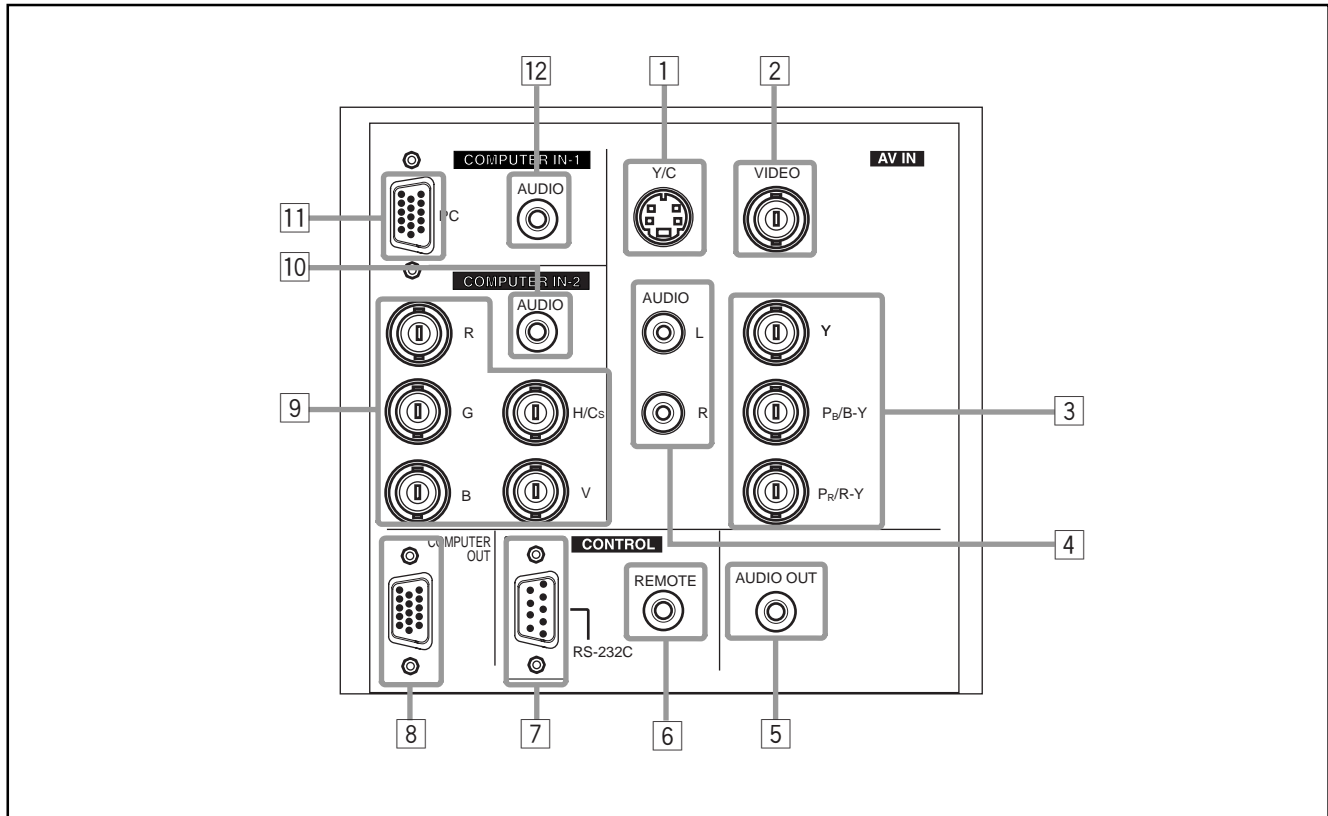
**Mémo**

- La fonction d'alignement rapide:**
- Fonctionne pour les signaux de l'entrée de l'ordinateur (prises d'entrée COMPUTER- 1 et - 2).
  - Ne fonctionne pas pour les signaux de l'entrée vidéo (prise d'entrée AV IN).

**ATTENTION**

- L'ajustement automatique avec la fonction d'alignement rapide doit être fait sur une image fixe lumineuse. Il ne fonctionnera pas correctement sur un écran sombre ou sur une image animée. Si l'ajustement avec cette fonction n'est pas satisfaisant, ajustez TRACK, PHASE, POSITION H. et POSITION V. manuellement (voir pages 31, 37 et 38).

## Panneau de connexion



**1 Prise d'entrée Y/C (S vidéo) (Mini DIN 4 broches)**

Connectez cette prise à la prise de sortie S vidéo d'un magnétoscope, etc.

**2 Prise d'entrée VIDEO (vidéo composite) (BNC)**

Connectez cette prise à la prise de sortie vidéo composite d'un magnétoscope, etc.

**3 Prises d'entrée Y, P<sub>B</sub>/B-Y, P<sub>R</sub>/R-Y (BNC)**

Ce sont des prises d'entrée pour signaux en composante (Y, B-Y, R-Y) ou signaux au format-DTV (Y, P<sub>B</sub>, P<sub>R</sub>). Un appareil avec des prises de sortie en composante peut être connecté.

\* Pour les détails concernant les signaux au format-DTV (480i, 480p, 720p, 1080i) compatibles avec cet appareil, référez-vous à la page 56.

**4 Prises d'entrée AUDIO L/R (Audio • gauche/droite) (prises cinch)**

Pour les appareils connectés aux prises d'entrée vidéo, tel qu'un magnétoscope, etc., les prises de sortie audio de l'appareil à projeter sont connectées à ces prises. Les signaux d'entrée audio sont reproduits par les haut-parleurs du projecteur. Le signal est aussi sorti par la prise AUDIO OUT du projecteur.

\* Quand le signal d'entrée est un signal stéréo, la connexion doit être faite sur les deux prises L et R.

\* Un appareil monaural doit être connecté uniquement à la prise L. De cette façon, les haut-parleurs du projecteur et la prise AUDIO OUT produisent le même son des deux prises L et R.

**Mémo**

**Pour choisir l'entrée audio correcte pour l'entrée vidéo:**

Les prises d'entrée vidéo (prises d'entrée AV IN) peuvent être commutées avec le projecteur ou avec la touche VIDEO de la télécommande du projecteur. Cependant, comme ce projecteur n'a qu'une prise d'entrée audio, reconnectez l'entrée audio en fonction de l'appareil audio/vidéo utilisé.

**5 Prise AUDIO OUT (sortie audio) (Prise mini stéréo)**

Pour les signaux d'entrée du projecteur, le signal audio de l'appareil dont l'image est projetée est sorti par cette prise. Le volume doit être ajusté en utilisant les touches VOL. (+/-) sur la télécommande ou l'élément VOLUME sur le menu de réglage. Quand un câble est connecté à cette prise, aucun son audio ne sort des haut-parleurs du projecteur.

**6 Prise REMOTE (Prise mini)**

Connectez un module d'extension de commande à distance infrarouge, etc. à cette prise.

\* Pour plus de détails, consultez votre revendeur.

**7 Terminal RS-232C (D-sub 9 broches)**

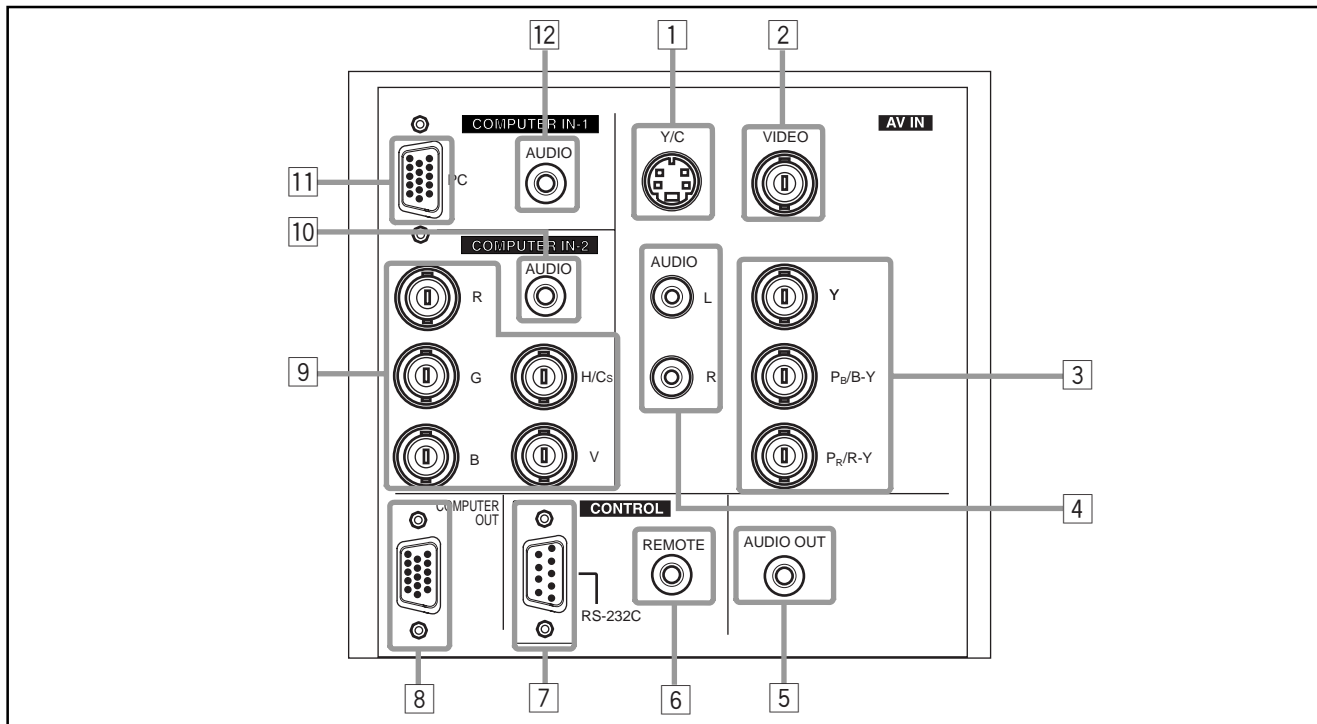
C'est un terminal d'interface RS-232C spécifique. Ce projecteur peut être commandé par un ordinateur connecté extérieurement.

\* Pour plus de détails, consultez votre revendeur.

**8 Terminal COMPUTER OUT (sortie d'ordinateur) (D-sub, 15 broches sur 3 rangées)**

Le signal d'entrée de l'ordinateur projeté sur l'écran est sorti par ce terminal. Un dispositif d'affichage peut être connecté à ce terminal.

**Panneau de connexion (suite)**



**9 Prises COMPUTER IN (entrée de l'ordinateur) -2 (BNC)**

Ce sont des prises pour les signaux RVB analogiques, les signaux de synchronisation verticale (V) et les signaux de synchronisation horizontale (H)/ signaux composites (Cs). Les appareils possédant des prises de sortie RVB peuvent être connectés.

**\* L'entrée de signaux extérieurs de synchronisation est automatiquement détectée.**

La détection de signaux H/V ou Cs entraîne une commutation automatique sur la synchronisation externe. L'ordre de priorité est H/V > Cs.

**Remarque**

- Les signaux au format-DTV (480i, 480p, 720p, 1080i) peuvent être entrées. Quand la source est réglée sur "AUTO", les signaux 480i et 1080i peuvent être détectés automatiquement, mais les signaux 480p et 720p ne peut pas être détecté. Pour pouvoir entrer un signal 480p ou 720p, la source doit être réglée sur le mode de source spécialisée "SDTV(480p)" ou "HDTV1(720p)". Pour régler la source, référez-vous à "Changement (réglage) de la source" à la page 46.

**ATTENTION**

- Quand un signal d'ordinateur est entré, le bord supérieur de l'image peut apparaître courbé si le signal d'entrée de synchronisation est composite (Cs) ou synchronisé sur le vert. Dans ce cas, utilisez des signaux de synchronisation séparés pour la synchronisation verticale (V) et horizontale (H).

**10 Prise d'entrée AUDIO (prise mini stéréo)**

C'est une prise d'entrée audio pour la prise COMPUTER IN (entrée d'ordinateur) -2. Connectez le signal de sortie audio de l'appareil connecté à la prise COMPUTER IN (entrée d'ordinateur) -2.

\* Quand l'entrée COMPUTER -2 est choisie, le signal audio entrée est reproduit par les haut-parleurs du projecteur. Les signaux peuvent aussi être sortis par la prise AUDIO OUT (sortie audio).

(Cependant, si un câble est connecté à la prise AUDIO OUT (sortie audio), le signal audio n'est pas sorti par les haut-parleurs du projecteur.)

**11 Prise COMPUTER IN (entrée d'ordinateur) -1 (D-sub, 15 broches sur 3 rangées)**

C'est une prise d'entrée (PC) réservée aux signaux d'ordinateur (signaux vidéo RVB et signaux de synchronisation).

Connectez la prise de sortie du moniteur de l'ordinateur à cette prise. Si vous connectez un ordinateur Macintosh, utilisez l'adaptateur de conversion pour Mac fourni.

**ATTENTION**

- Quand un signal d'ordinateur est entré, le bord supérieur de l'image peut apparaître courbé si le signal d'entrée de synchronisation est composite (Cs) ou synchronisé sur le vert. Dans ce cas, utilisez des signaux de synchronisation séparés pour la synchronisation verticale (V) et horizontale (H).

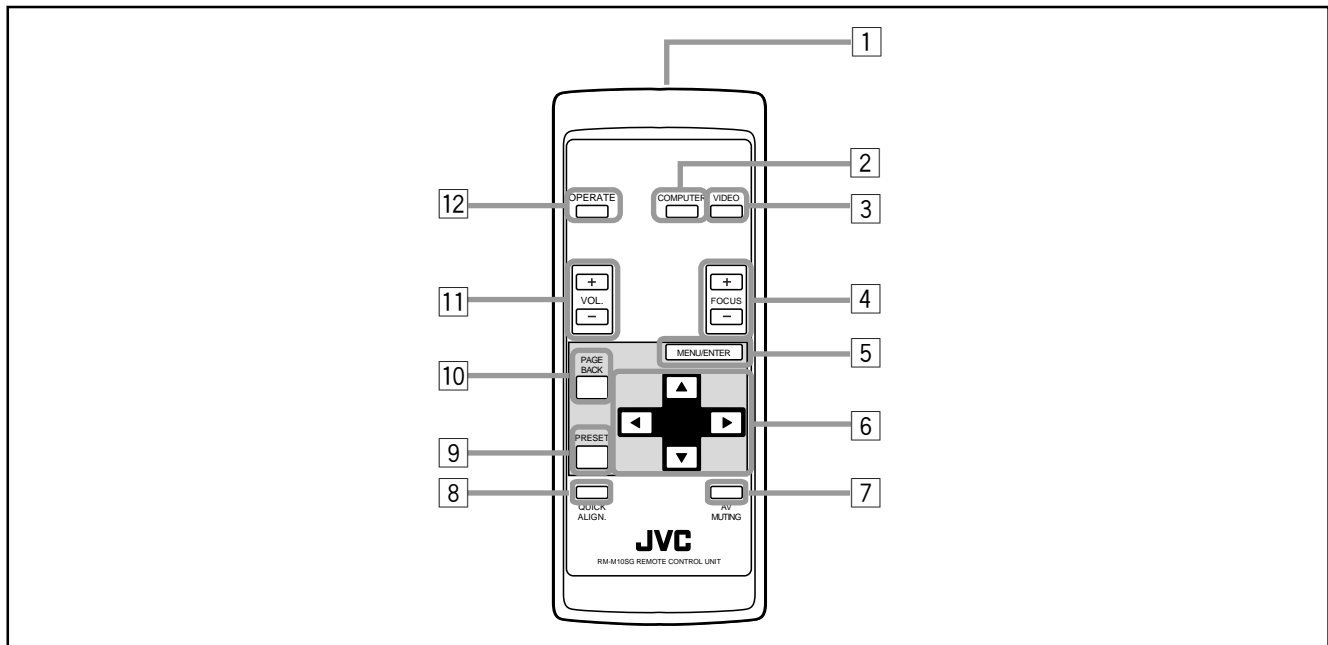
**12 Prise d'entrée AUDIO (audio) (prise mini stéréo)**

C'est une prise d'entrée audio pour la prise COMPUTER IN (entrée d'ordinateur) -1. Connectez le signal de sortie audio de l'appareil connecté à la prise COMPUTER IN (entrée d'ordinateur) -1.

\* Quand l'entrée COMPUTER -1 est choisie, le signal audio entré est reproduit par les haut-parleurs du projecteur. Les signaux peuvent aussi être sortis par la prise AUDIO OUT (sortie audio).

(Cependant, si un câble est connecté à la prise AUDIO OUT (sortie audio), le signal audio n'est pas sorti par les haut-parleurs du projecteur.)

## Télécommande



**1** Emetteur de signaux de télécommande

**2** Touche **COMPUTER**

Utilisez cette touche pour choisir l'appareil connecté aux prises d'entrée COMPUTER IN (entrée d'ordinateur) -1 et -2 du projecteur. Chaque fois que vous appuyez sur cette touche, l'entrée choisie change comme suit:



**3** Touche **VIDEO**

Utilisez cette touche pour choisir l'appareil vidéo connecté aux prise AV IN (entrée audio/vidéo) du projecteur. Chaque fois que vous appuyez sur cette touche, l'entrée choisie change comme suit:



**4** Touches **FOCUS (+/-)**

Utilisez ces touches pour ajuster la mise au point de l'image vidéo projetée.

- + : Le point focal s'éloigne.
- : Le point focal se rapproche.

**5** Touche **MENU/ENTER**

Utilisez cette touche pour afficher le menu principal. Quand le menu principal est affiché, appuyer sur cette touche affiche les réglages détaillés (sous-menu) pour les éléments qui en possèdent.

**6** Touches du curseur (▲/▼/◀/▶)

Quand le menu principal est affiché, utilisez ces touches pour choisir un élément à ajuster ou réaliser un ajustement.

**7** Touche **AV MUTING (marche/arrêt)**

Utilisez cette touche pour couper provisoirement l'image vidéo et le son. Appuyez de nouveau sur cette touche rétablit l'image vidéo et le son.

**8** Touche **QUICK ALIGN. (Alignement rapide)**

Utilisez cette touche pour ajuster automatiquement TRACK, PHASE, POSITION H. et POSITION V. de l'image vidéo projetée. Pendant l'ajustement automatique, QUICK ALIGNMENT apparaît sur l'écran, et disparaît quand l'ajustement est fini.

**Mémo**

**Fonction d'alignement rapide:**

Ne fonctionne pas pour les signaux de l'entrée vidéo (prise d'entrée AV IN).

Fonctionne seulement pour les signaux d'ordinateur (prises d'entrée COMPUTER-1 et -2).

**ATTENTION**

- L'ajustement automatique avec la fonction d'alignement rapide doit être fait sur une image fixe lumineuse. Il ne fonctionnera pas correctement sur un écran sombre ou sur une image animée. Si l'ajustement avec cette fonction n'est pas satisfaisant, ajustez TRACK, PHASE, POSITION H. et POSITION V. manuellement (voir pages 31, 37 et 38).

**9** Touche **PRESET**

Lors de la réalisation d'un ajustement sur le menu principal ou sur un menu de réglage, utilisez cette touche pour réinitialiser le réglage de l'élément choisi aux valeurs pré-réglées en usine. Cette touche fonctionne uniquement pour les réglages numériques et ne fonctionne pas pour commuter ON sur OFF.

**10** Touche **PAGE BACK**

Quand un sous-menu de réglage est affiché, utilisez cette touche pour retourner à la page précédente.

**11** Touches **VOL. (Volume) (+/-)**

Utilisez ces touches pour ajuster le volume sonore:

- + : Augmente le niveau de volume.
- : Diminue le niveau de volume.

**12** Touche **OPERATE**

Pour mettre le projecteur sous tension, maintenez cette touche pressée pendant une seconde ou plus.

\* Environ 30 secondes après que l'appareil a été mis sous tension, l'image vidéo apparaît sur l'écran.

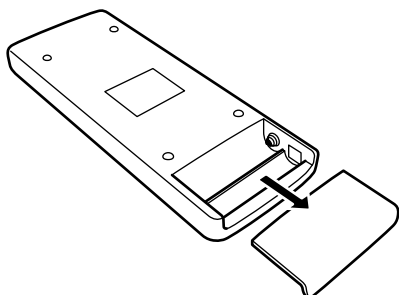


### Mise en place des piles

Installez les piles dans la télécommande. Si la télécommande a commencé à fonctionner irrégulièrement, remplacez les piles.

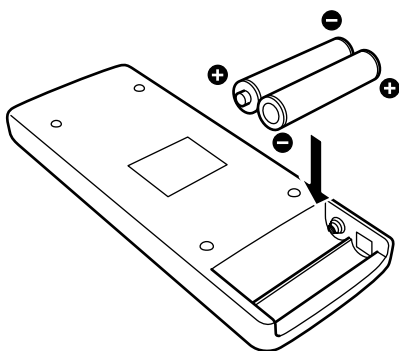
#### 1 Ouvrez le couvercle arrière.

Tout en appuyant sur le couvercle arrière, faites-le glisser dans la direction de la flèche.



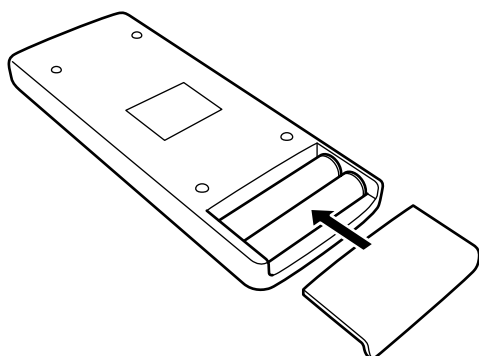
#### 2 Installez les piles.

Placez les deux piles (AAA/R03) fournies dans la télécommande de la façon montrée ci-dessous.



#### 3 Refermez le couvercle arrière.

Faites glisser le couvercle arrière dans la direction de la flèche jusqu'à ce que vous entendiez un "clac".



#### Précautions pour l'utilisation des piles

**Si les piles sont utilisées incorrectement, elles risquent de se fissurer ou de fuir. Cela peut entraîner un incendie, des brûlures, un mauvais fonctionnement, ou tacher ou endommager l'environnement.**

##### Faites attention à ce qui suit:

- N'utilisez pas en même temps une pile neuve et une vieille pile.
- N'utilisez pas en même temps différents types de piles car elles ont des caractéristiques différentes.
- Placez les piles de façon qu'elles respectent les polarités indiquées: (+) à (+) et (-) à (-).
- Assurez-vous de mettre la borne moins (-) en premier pour éviter les court-circuits.
- Utilisez uniquement les piles indiquées.
- Retirez les piles si elles ne sont pas utilisées pendant une longue période de temps.
- Quand les piles sont usées, remplacez-les immédiatement. Sinon, elles pourraient fuir, ou un mauvais fonctionnement pourrait se produire à cause de la fuite d'électrolyte. Si le liquide qui fuit des piles entre en contact avec la peau, essuyez-le avec un chiffon, sinon la peau pourrait devenir rêche.
- Ne mettez pas les piles dans le feu ni essayez de les recharger.
- Les piles ont une durée de vie de six mois à un an lors d'une utilisation normale. Mais les piles fournies sont pour vérifier le fonctionnement et risquent de ne pas durer si longtemps. Quand la télécommande commence à ne pas fonctionner correctement, remplacer les piles par des neuves.

# Installation du projecteur

## Précautions pour l'installation

### ATTENTION

#### N'installez pas le projecteur dans les endroits suivants:

- Où il y a beaucoup d'eau, d'humidité ou de poussière.
- Où le projecteur peut être sujet à de la fumée grasse ou à de la fumée de cigarette.
- Sur une surface molle telle qu'un tapis ou un coussin.
- Où le projecteur peut être sujet à la lumière directe du soleil.
- Où la température est élevée ou l'humidité faible.

Plage de température de fonctionnement admissible: + 5°C à + 35°C (41°F à 95°F)

Plage d'humidité relative admissible: 20% à 80% (sans condensation)

Plage de température de stockage admissible: -10°C à +60°C (14°F à 140°F)

#### ■ Lors de l'installation du projecteur, respectez les points suivants:

- **N'utilisez pas le projecteur couché sur le côté.**

N'utilisez pas le projecteur couché sur le côté. Cela entraînerait un mauvais fonctionnement.

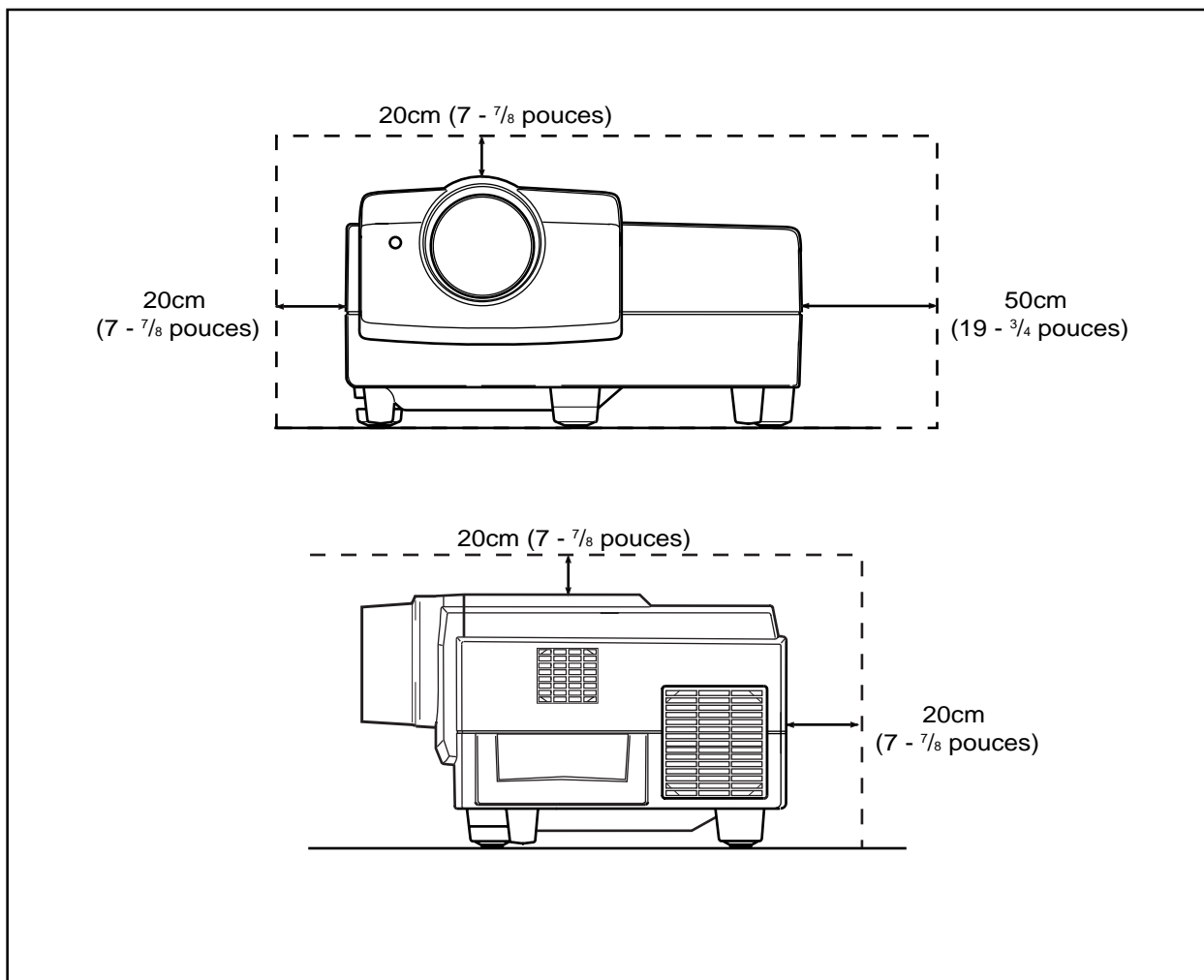
- **Utilisez le projecteur à l'intérieur de l'angle d'installation.**

N'utilisez pas le projecteur avec une inclinaison de plus de  $\pm 30^\circ$  de droite à gauche ou de gauche à droite. Cela causerait une variation de couleur et réduirait la vie de la lampe.

- **Ne bloquez pas les événements de sortie d'air.**

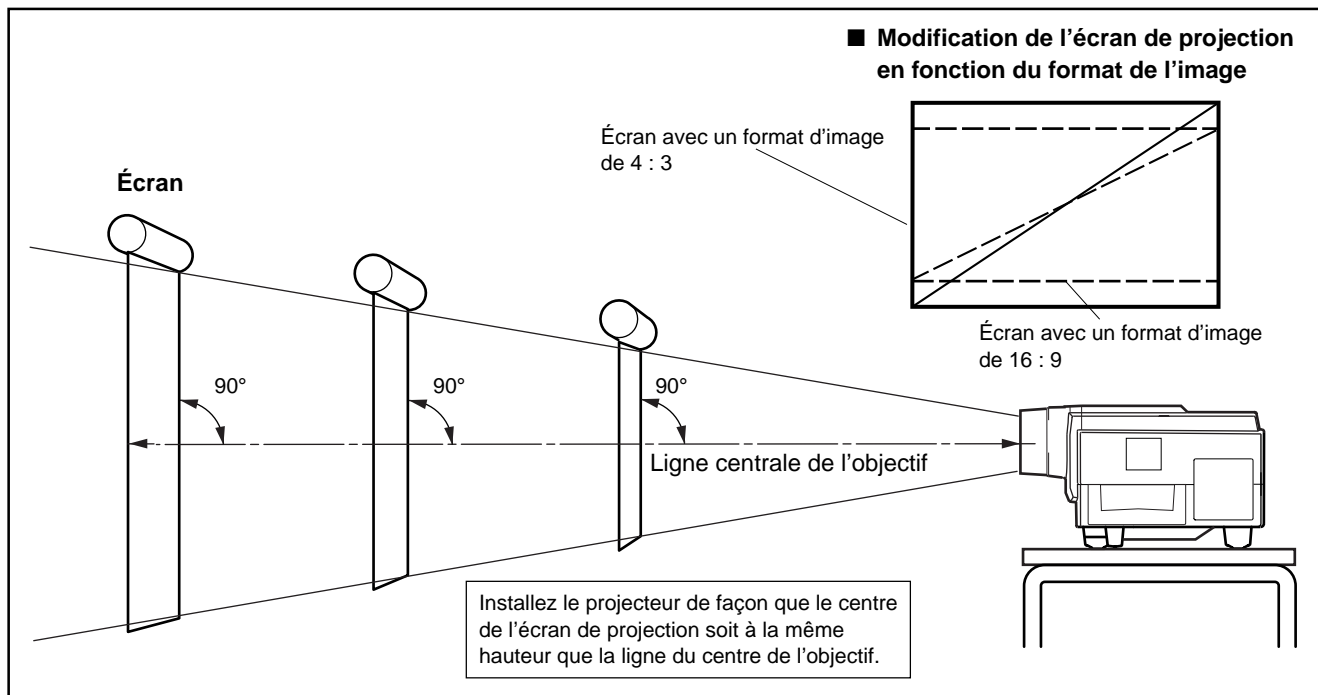
N'utilisez rien qui puisse enfermer le projecteur en bloquant les événements de sortie d'air. Laissez suffisamment d'espace autour du projecteur. Si le projecteur est enfermé dans un espace aux dimensions indiquées ci-dessous, utilisez une climatisation pour que la température à l'intérieur de l'espace soit égale à la température extérieure.

#### Espace minimum requis



## Distance de projection et taille de l'écran

- Ce projecteur utilise un objectif à longueur focale fixe.
- La distance de projection à l'intérieur de laquelle la mise au point est possible est d'environ 0,76 m à 4,14 m. Installez le projecteur à l'intérieur de cette plage.



Taille de l'écran de projection (longueur de la diagonale)	Distance de projection	
	Quand le format d'image est de 4:3	Quand le format d'image est de 16:9
36,7" (env. 93 cm)	—	env. 2,49 pieds (0,76 m)
50" (env. 127 cm)	env. 3,15 pieds (0,96 m)	env. 3,44 pieds (1,05 m)
100" (env. 254 cm)	env. 6,46 pieds (1,97 m)	env. 7,09 pieds (2,16 m)
150" (env. 381 cm)	env. 9,74 pieds (2,97 m)	env. 10,69 pieds (3,26 m)
200" (env. 508 cm)	env. 13,06 pieds (3,98 m)	—

\*Référez-vous aussi aux tableaux des "Relations entre la distance de projection et la taille de l'écran" à la page 17.

### PRECAUTIONS et REMARQUES

- Installez l'écran de façon que le centre de l'image projetée soit aligné avec la ligne du centre de l'objectif. De cette façon, le centre de l'image projetée avec un format d'image de 4:3 est aligné avec la ligne du centre de l'objectif. Aussi, l'écran doit être à angle droit avec la ligne centrale de l'objectif (de façon que la projection ait lieu avec l'angle correct par rapport à l'écran).
- Lors de l'installation de l'écran, utilisez un format d'image de 4:3.  
(Le format d'image 16 : 9 est projeté sur la base de la largeur du format d'image 4:3.)
- La longueur de la diagonale d'une image de format d'image 16 : 9 est d'environ 91,8% de celle du format d'image. Cette valeur est un guide et devrait être utilisée comme référence.
- Si la lumière du soleil ou d'une lampe atteint directement l'écran de projection, l'image devient blanchâtre et assombrie. Utilisez un rideau, etc. pour protéger l'écran de la lumière.
- La distorsion trapézoïdale ne peut pas être corrigée quelquefois.  
Ajustez le projecteur à l'intérieur de la plage des angles d'ajustement (angle d'ajustement vers le haut/bas: +7°; angle d'ajustement horizontal: ±1,5°) de façon qu'il soit droit.
- Les valeurs numériques apparaissant dans les tableaux des relations entre la distance de projection la taille de l'écran à la page 17 sont fournies uniquement comme référence. Les tailles de projection peuvent varier selon les tolérances de fabrication de l'objectif.

### Relation entre les distances de projection et la taille de l'écran

■ Utilisez le tableau ci-dessous comme guide ou comme référence lors de l'installation du projecteur.

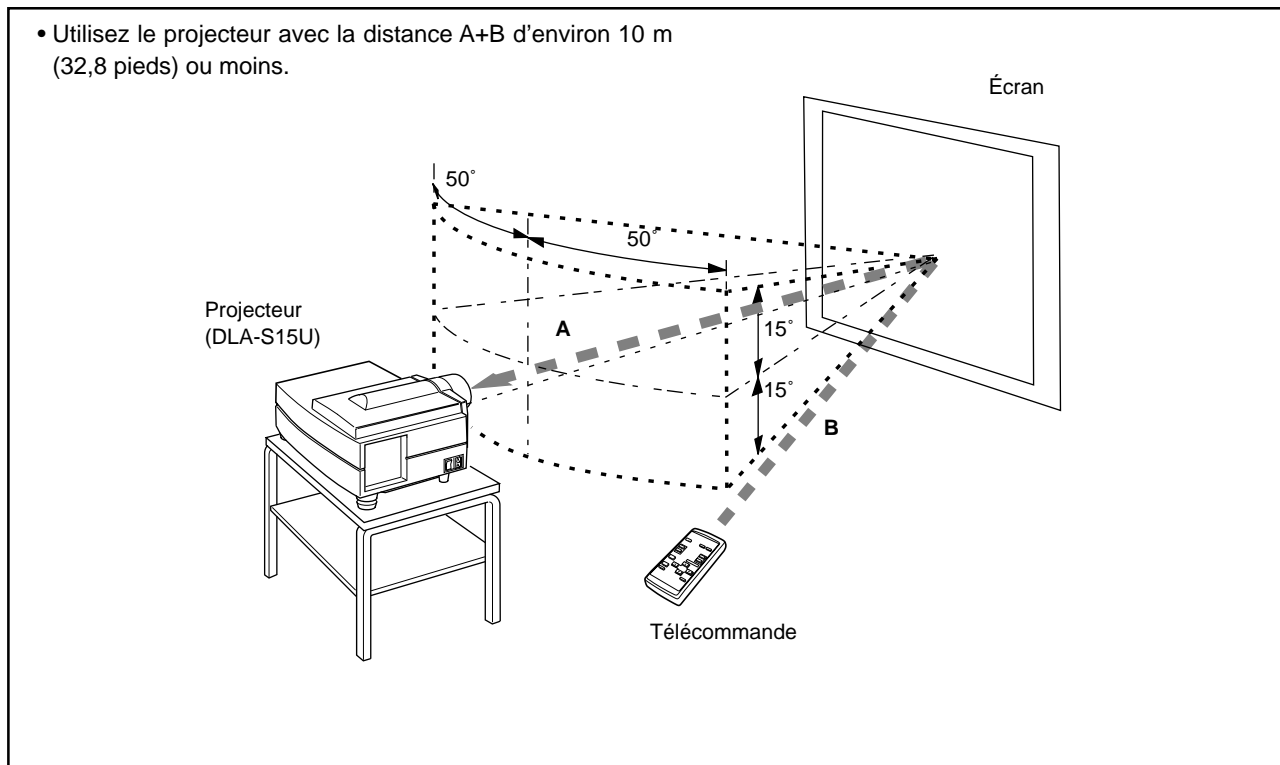
Taille de l'écran de projection (longueur de la diagonale)	Distance de projection	
	Quand le format d'image est de 4:3	Quand le format d'image est de 16:9
36,7 pouces (env. 93 cm)	_____	env. 2,49 pieds (0,76 m)
40 pouces (env. 101 cm)	env. 3,49 pieds (0,76 m)	env. 2,72 pieds (0,83 m)
50 pouces (env. 127 cm)	env. 3,15 pieds (0,96 m)	env. 3,44 pieds (1,05 m)
60 pouces (env. 152 cm)	env. 3,81 pieds (1,16 m)	env. 4,17 pieds (1,27 m)
70 pouces (env. 177 cm)	env. 4,46 pieds (1,36 m)	env. 4,89 pieds (1,49 m)
80 pouces (env. 203 cm)	env. 5,12 pieds (1,56 m)	env. 5,64 pieds (1,72 m)
90 pouces (env. 228 cm)	env. 5,77 pieds (1,76 m)	env. 6,36 pieds (1,94 m)
100 pouces (env. 254 cm)	env. 6,46 pieds (1,97 m)	env. 7,09 pieds (2,16 m)
110 pouces (env. 279 cm)	env. 7,12 pieds (2,17 m)	env. 7,81 pieds (2,38 m)
120 pouces (env. 304 cm)	env. 7,76 pieds (2,37 m)	env. 8,53 pieds (2,60 m)
130 pouces (env. 330 cm)	env. 8,43 pieds (2,57 m)	env. 9,25 pieds (2,82 m)
140 pouces (env. 355 cm)	env. 9,09 pieds (2,77 m)	env. 9,97 pieds (3,04 m)
150 pouces (env. 381 cm)	env. 9,75 pieds (2,97 m)	env. 10,69 pieds (3,26 m)
160 pouces (env. 406 cm)	env. 10,43 pieds (3,18 m)	env. 11,42 pieds (3,48 m)
170 pouces (env. 431 cm)	env. 11,09 pieds (3,38 m)	env. 12,14 pieds (3,70 m)
180 pouces (env. 457 cm)	env. 11,75 pieds (3,58 m)	env. 12,86 pieds (3,92 m)
190 pouces (env. 482 cm)	env. 12,40 pieds (3,78 m)	env. 13,58 pieds (4,14 m)
200 pouces (env. 508 cm)	env. 13,06 pieds (3,98 m)	_____

### Plage et distance effective de la télécommande

La distance de fonctionnement de la télécommande est d'environ 10 m (32,8 pieds) pour une réception directe. La télécommande peut être par réflexion sur l'écran, etc. Quand vous utilisez la télécommande par réflexion sur l'écran, la distance totale A + B doit être d'environ 10 m (32,8 pieds) ou moins. L'angle de fonctionnement de la télécommande est de 50° vers la droite et vers la gauche et de 15° vers le haut ou vers le bas.

#### Plage et distance effective de la télécommande

- Utilisez le projecteur avec la distance A+B d'environ 10 m (32,8 pieds) ou moins.



#### Remarque

- Selon le type d'écran utilisé, la distance effective de la télécommande peut être réduite.

### Réglage de la vis de sélection de position pour le montage au plafond

Lors de l'utilisation du projecteur à l'envers ou dans un montage au plafond (insertion haut-bas et droite-gauche), la "vis de sélection de position pour le montage au plafond" doit être réglée sur le montage au plafond.

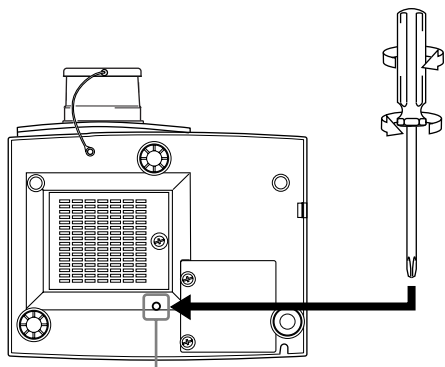
Cela corrigera l'écart dans les images couleur (ombres), qui autrement pourrait se produire lors d'un montage au plafond. Pour revenir au réglage normal de bureau, remettez la "vis de sélection de position pour le montage au plafond" sur sa position d'origine (lors de l'expédition de l'usine).

#### [Lors de l'utilisation du projecteur à l'envers ou dans un montage au plafond (insertion haut-bas et droite-gauche)]

- Tournez la "vis de sélection de position pour le montage au plafond" complètement **dans le sens contraire des aiguilles d'une montre** (jusqu'à ce qu'elle tourne dans le vide).

#### [Pour utiliser à nouveau le projecteur dans une position normale de bureau]

- Tournez la "vis de sélection de position pour le montage au plafond" complètement **dans le sens des aiguilles d'une montre** (jusqu'à ce qu'elle serrée fermement).



Vis de sélection de position pour le montage au plafond

#### Pour un montage de bureau:

Tournez dans le sens des aiguilles d'une montre.

#### Pour un montage à l'envers ou un montage au plafond:

Tournez dans le sens contraire des aiguilles d'une montre.

#### ATTENTION

- Pour le montage au plafond et l'ajustement du projecteur des connaissances et des techniques spéciales sont nécessaires. Demandez à votre revendeur ou à un spécialiste de s'en occuper.
- Pour tourner la "vis de sélection de position pour le montage au plafond" utilisez un tournevis cruciforme avec une tige de 30 mm ou plus. La vis est située dans le trou montré sur l'illustration.

# Connexions de divers appareils

\* Avant la connexion, assurez-vous de mettre hors tension le projecteur et les appareils connectés.

\* Lisez attentivement le manuel fourni avec chaque appareil.

## Signaux pouvant être entrés dans le projecteur

Les signaux suivants peuvent être entrés dans le projecteur:

### ■ Signaux vidéo

#### (1) Réponse aux systèmes de couleur

Système de couleur Prise d'entrée	NTSC	NTSC4.43	PAL	SECAM
VIDEO	○	○	○	○
Y/C	○	○* <sub>1</sub>	○	-----
Y, P <sub>B</sub> /B-Y, P <sub>R</sub> /R-Y	○* <sub>2</sub>	○* <sub>2</sub>	○* <sub>2</sub>	○* <sub>2</sub>
G, B, R, H/Cs, V	○* <sub>2</sub>	○* <sub>2</sub>	○* <sub>2</sub>	○* <sub>2</sub>

\*<sub>1</sub> : Répond si la sortie Y/C est disponible.

\*<sub>2</sub> : Signifie que les signaux en composante ("Y, P<sub>B</sub>, P<sub>R</sub>" / "Y, B-Y, R-Y" / "G, B, R, H/Cs, V") sont conformes à la synchronisation du signal (synchronisation et période vidéo) de chaque système de couleur.

Les systèmes de couleur sont utilisés pour des raisons de commodité seulement.

#### (2) Réponse à la densité double (\*1), signaux haute définition

Prise d'entrée	NTSC* <sub>2</sub>	PAL* <sub>3</sub>	Signal "Hi-Vision"
Y, P <sub>B</sub> /B-Y, P <sub>R</sub> /R-Y	○	○	○
G, B, R, H/Cs, V	○	○	○

\*<sub>1</sub> : Signaux dont la densité des lignes/champs de balayage est deux fois plus élevée.

\*<sub>2</sub> : Répond aux signaux dont la fréquence de balayage horizontal est de 31,5 kHz. Le signal NTSC peut être rendu deux fois plus dense à l'aide d'un doubleur de ligne (vendu séparément: article recommandé). Peut aussi répondre aux signaux entièrement spécifiés et 525P progressifs.

\*<sub>3</sub> : Répond aux signaux dont la fréquence de balayage horizontal est de 33,5 kHz. Le signal PAL peut être rendu deux fois plus dense à l'aide d'un doubleur de ligne (vendu séparément: article recommandé).

### Remarque

• Les signaux au format-DTV (480i, 480p, 720p, 1080i) peuvent être entrés dans cet appareil (Prises d'entrée Y, P<sub>B</sub>/B-Y, P<sub>R</sub>/R-Y). Pour les détails concernant les signaux au format-DTV (480i, 480p, 720p, 1080i) compatibles avec cet appareil, référez-vous à la page 56.

### ■ Signaux d'ordinateur

• Les signaux avec la résolution suivante peuvent être entrés à la prise COMPUTER IN-1 (PC) ou COMPUTER IN-2 (G, B, R, H/Cs, V). (Les signaux suivants ont été pré-réglés.)

Résolution de l'écran (appellation standard)	Fréquence horizontale	Fréquence verticale	Méthode de balayage
640 × 400 (PC-9801)	24,8kHz	56,4Hz	Sans entrelacement
640 × 350 (VGA1)	31,5kHz	70,1Hz	Sans entrelacement
640 × 480 (VGA3)	31,5kHz	59,9Hz	Sans entrelacement
640 × 480 (Macintosh 13 pouces)	35,0kHz	66,7Hz	Sans entrelacement
640 × 480 (VGA VESA)	37,5kHz	75,0Hz	Sans entrelacement
800 × 600 (SVGA1)	37,9kHz	60,3Hz	Sans entrelacement
800 × 600 (SVGA2)	48,1kHz	72,2Hz	Sans entrelacement
832 × 624 (Macintosh 16 pouces)	49,7kHz	74,6Hz	Sans entrelacement
1024 × 768 (XGA1)	48,4kHz	60,0Hz	Sans entrelacement
1024 × 768 (XGA2)	56,5kHz	70,1Hz	Sans entrelacement
1024 × 768 (Macintosh 19 pouces)	60,2kHz	74,9Hz	Sans entrelacement
1152 × 870 (Macintosh 21pouces)	68,7kHz	75,0Hz	Sans entrelacement
1280 × 1024 (SXGA1)	64,0kHz	60,0Hz	Sans entrelacement
1280 × 1024 (SXGA2)	70,8kHz	67,0Hz	Sans entrelacement
1360 × 1024 (SXGA3: carte Mac)	80,0kHz	75,1Hz	Sans entrelacement

### Remarques

- Les signaux avec entrelacement ne sont pas pris en charge.
- Certains signaux, différents des signaux cités ci-dessus, peuvent être affichés. Mais ils demandent un ajustement. Même certains signaux de la liste ci-dessus peuvent demander un ajustement en fonction de la carte vidéo utilisée.
- Quand un signal, différent des signaux de la liste ci-dessus, est entré, l'écran peut être partiellement effacé ou un écran superposé inutile peut apparaître.
- Même les signaux appartenant à la plage de fréquence acceptée peuvent ne pas être affichés correctement en fonction du type de signal.
- Les signaux composite de synchronisation (Cs) et sur le vert (G) ne peuvent pas s'être pris en charge selon l'appareil connecté.

### Connexion à des appareils vidéo

**Avant la connexion, assurez-vous de mettre hors tension le projecteur et l'appareil vidéo.**

- Lisez attentivement le mode d'emploi fourni avec chaque appareil vidéo.
- Utilisez le câble de connexion audio/vidéo fourni. Le câble de connexion S-vidéo n'est pas fourni.

À Y/C  
Câble S-vidéo (vendu séparément)

Fiche de conversion BNC-RCA (fournie)

À VIDEO

À AUDIO (L)

À AUDIO (R)

Câble de connexion audio/vidéo (fourni)

AV IN

VIDEO

AUDIO

CONTROL

REMOTE

AUDIO OUT

RS-232C

#### Appareils vidéo

- Magnétoscope
- Lecteur de disque laser
- Camescope

**Pour choisir l'entrée audio correcte pour l'entrée vidéo**

La prise d'entrée vidéo (prise d'entrée AV IN) peut être choisie avec la touche VIDEO. Cependant, comme ce projecteur ne possède qu'une prise d'entrée audio, reconnectez l'entrée audio en fonction de l'appareil audio/vidéo utilisé.

**Mémo**

- Lors de la connexion d'un appareil vidéo, utilisez un correcteur de base de temps (TBC) ou un appareil avec un tel correcteur intégré.
- Utiliser un câble prolongateur pour connecter l'appareil vidéo et le projecteur peut causer une dégradation de l'image vidéo.
- Quand un signal avec beaucoup de sautilllements est reproduit sur un magnétoscope ou quand une lecture avec effets spéciaux est réalisée, la partie supérieure de l'image ou l'image elle-même peut être effacée ou déformée.

### Connexion à des appareils "Hi-Vision"

**Avant la connexion, assurez-vous de mettre hors tension le projecteur et les appareils "Hi-Vision".**

- Lisez attentivement le mode d'emploi fourni avec chaque appareil "Hi-Vision".
- Utilisez des câbles BNC vendus séparément et des câbles audio pour connecter les appareils "Hi-Vision".

À AUDIO (R)

À AUDIO (L)

Câble audio (vendu séparément)

À VIDEO

À Y

À Pb/B-Y

À Pr/R-Y

Câble BNC (Vendu séparément)

AV IN

VIDEO

AUDIO

CONTROL

REMOTE

AUDIO OUT

RS-232C

#### Appareils "Hi-vision"

- Magnétoscope W-VHS
- Caméra Texte/vidéo
- Caméra vidéo "Hi-Vision"

**Pour choisir l'entrée audio correcte pour l'entrée vidéo**

La prise d'entrée vidéo (prise d'entrée AV IN) peut être choisie avec la touche VIDEO. Cependant, comme ce projecteur ne possède qu'une prise d'entrée audio, reconnectez l'entrée audio en fonction de l'appareil audio/vidéo utilisé.

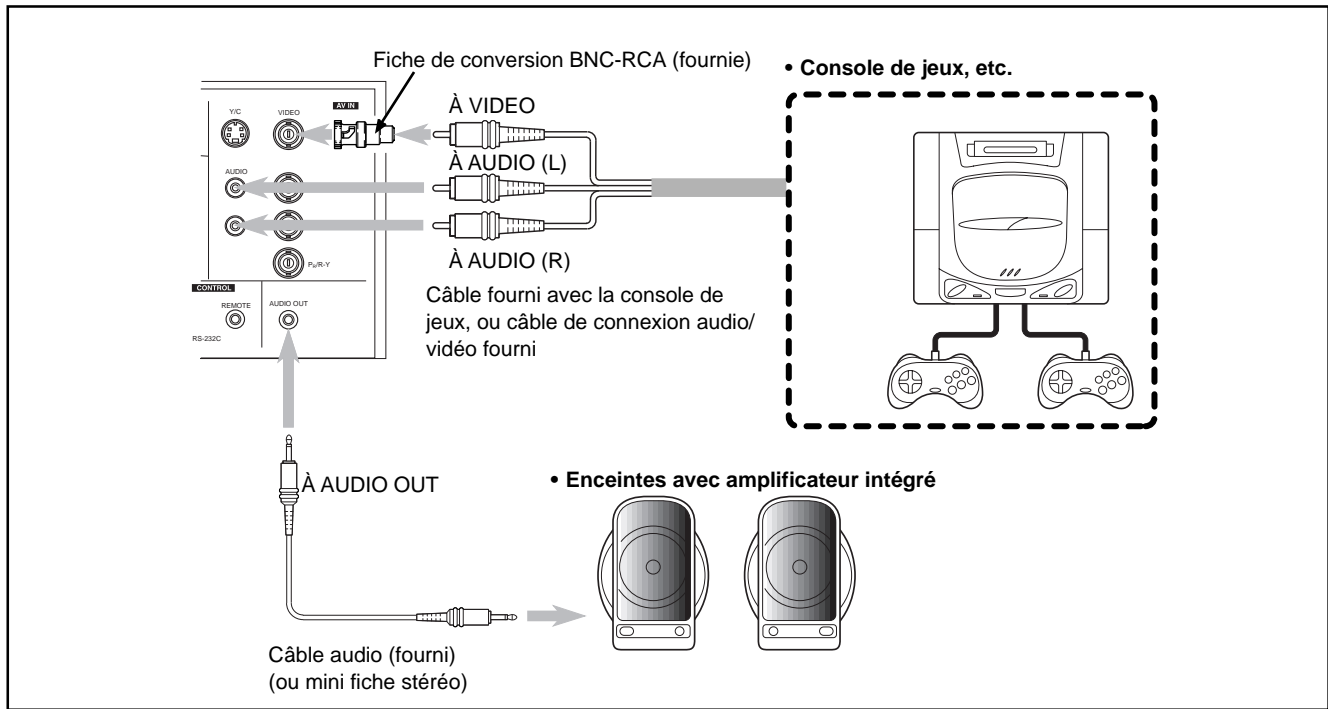
**Mémo**

- Les autres appareils avec des prises de sortie de signaux en composante (lecteur de DVD (NTSC), etc.) peuvent être connectés. \*DVD: Digital Video Disc (Disque vidéo numérique)
- Les signaux au format-DTV (480i, 480p, 720p, 1080i) peuvent être entrés. Pour les signaux au format-DTV pouvant être traités, référez-vous à la page 56.

**Connexion d'autres appareils**

Avant la connexion, assurez-vous de mettre hors tension le projecteur et les autres appareils à connecter.

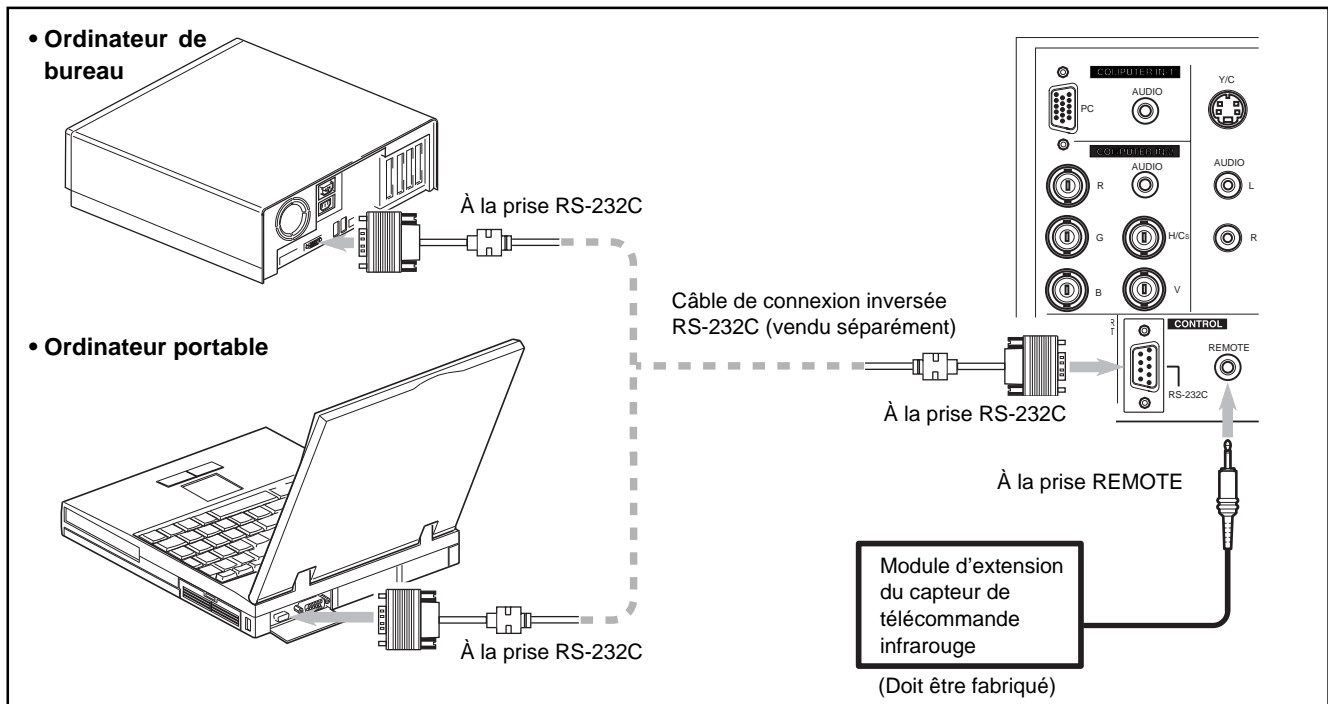
- Lisez attentivement le mode d'emploi fourni avec chaque appareil connecté.
- Des enceintes avec un amplificateur intégré et des consoles de jeux peuvent être connectées. Utilisez le câble de connexion audio/vidéo et le câble audio fourni, ou le câble fourni avec la console de jeux.



**Connexion à des appareils qui commandent le projecteur**

Avant la connexion, assurez vous de mettre hors tension le projecteur et les appareils à connecter.

- Lisez attentivement le mode d'emploi fourni avec chaque appareil connecté.
- En connectant un ordinateur à la prise RS-232C, vous pouvez commander le projecteur. Vous pouvez aussi réaliser une extension du capteur de télécommande infrarouge et la connecter à la prise REMOTE du projecteur.
- \* Des câbles de connexion sont nécessaires.
- \* Pour plus de détails, consultez un revendeur autorisé JVC ou un centre de service.



FRANÇAIS



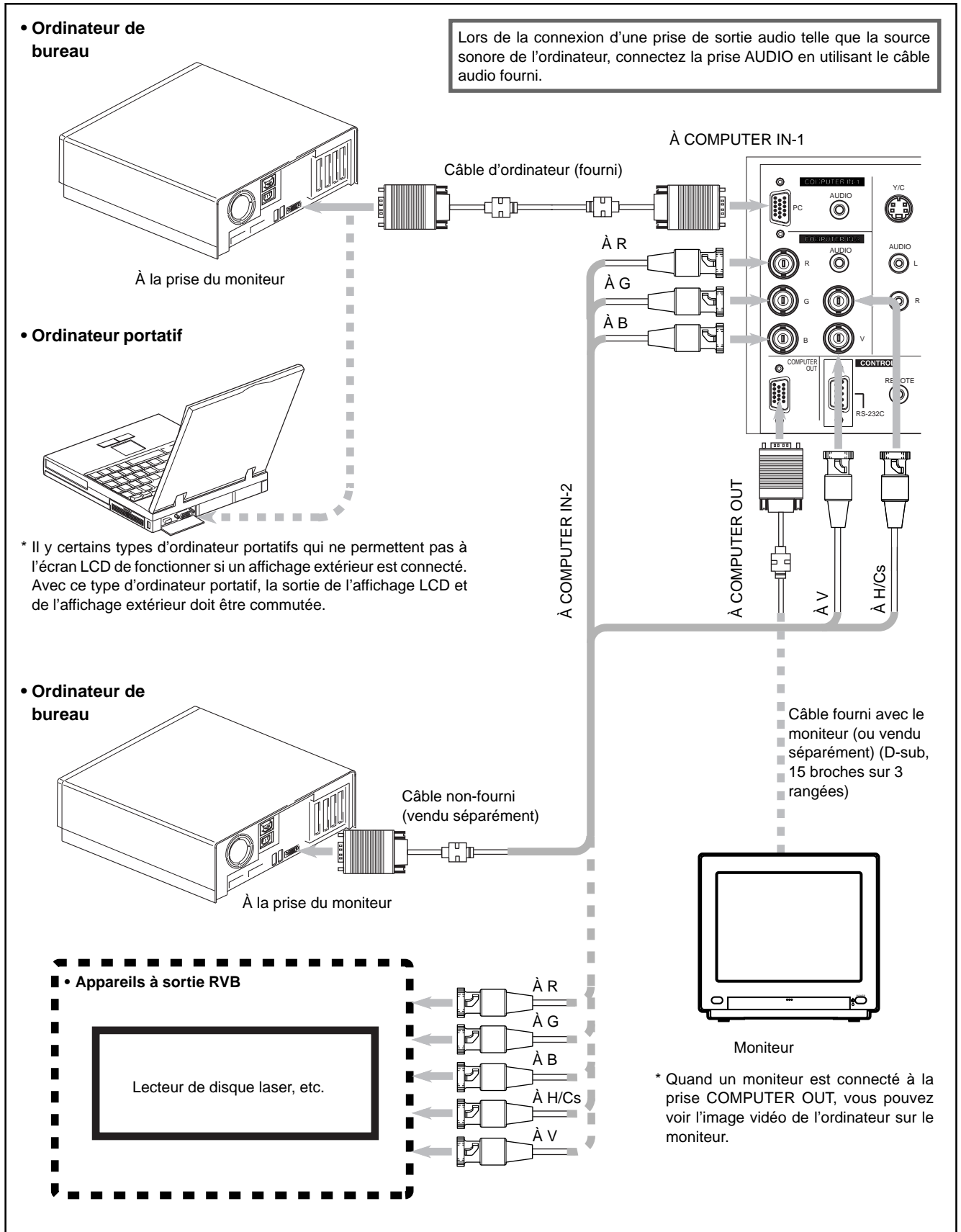
## Connexion à des ordinateurs

Avant la connexion, assurez-vous de mettre hors tension le projecteur et les ordinateurs.

- Lisez attentivement le mode d'emploi fourni avec chaque appareil.

### ■ Connexion à un ordinateur IBM PC ou compatible

- Utilisez le câble de connexion d'ordinateur fourni. Préparez aussi les câbles nécessaires pour la connexion des appareils.



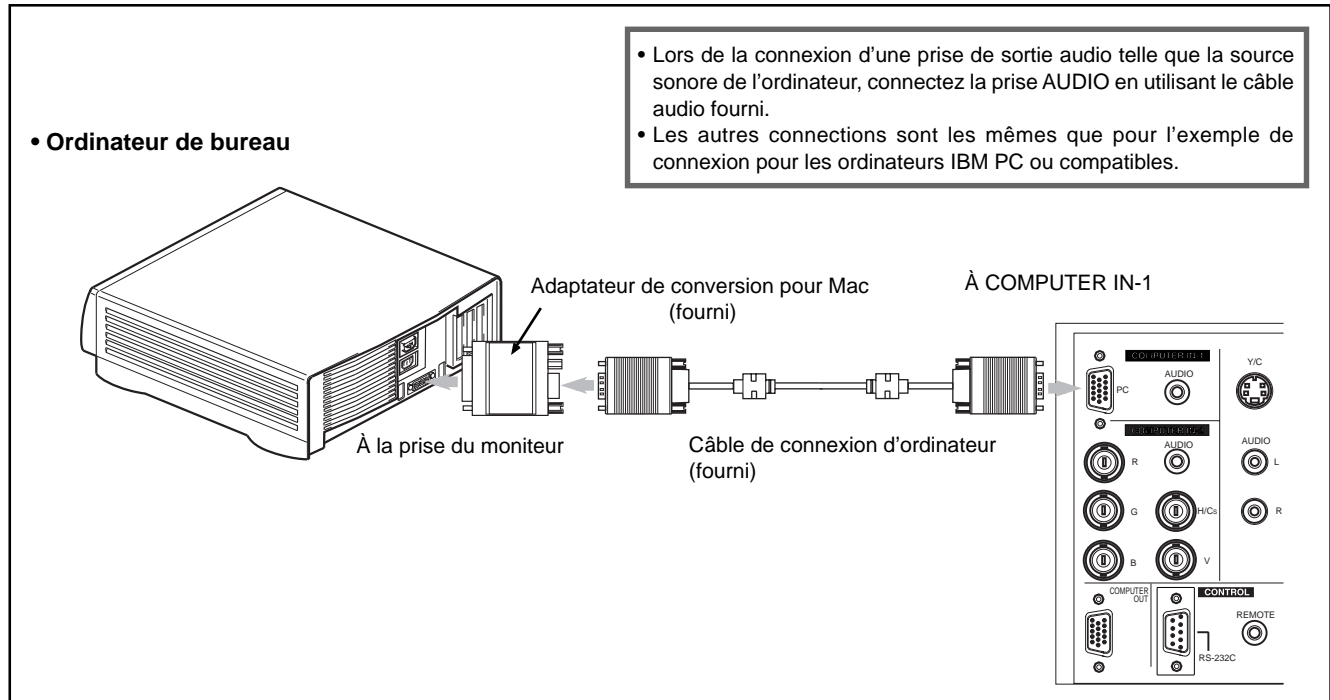
### Connexion à des ordinateurs (suite)

Avant la connexion, assurez-vous de mettre hors tension le projecteur et les ordinateurs.

- Lisez attentivement le mode d'emploi fourni avec chaque appareil.

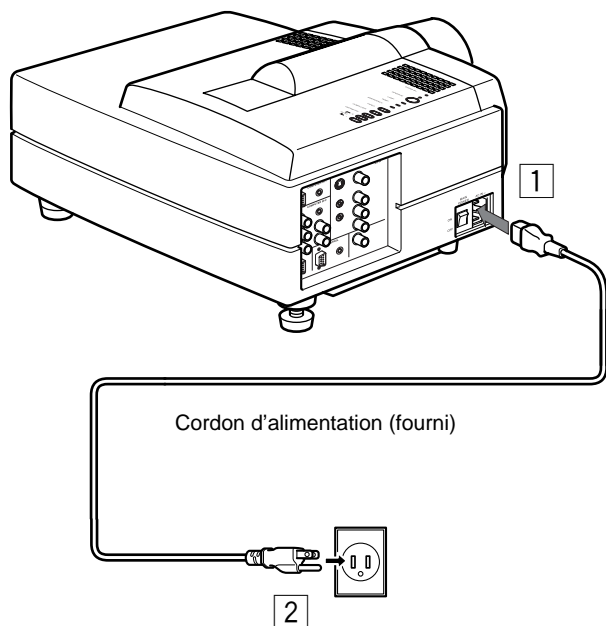
#### ■ Connexion à un Macintosh

- Utilisez le câble de connexion d'ordinateur fourni et l'adaptateur de conversion pour Mac fourni.

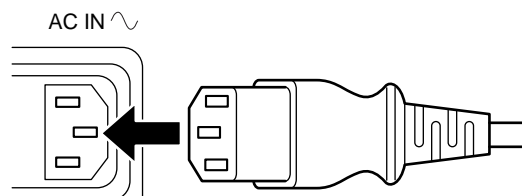


### Connexion du cordon d'alimentation (fourni)

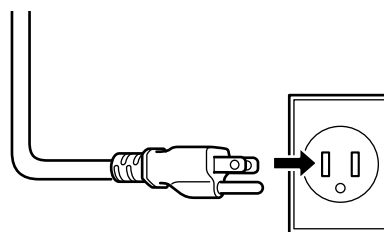
Après que tous les appareils ont été connectés, connectez le cordon d'alimentation du projecteur. Ne le mettez pas encore sous tension à l'aide de l'interrupteur MAIN POWER.



- 1 Insérez le cordon d'alimentation dans la prise d'entrée secteur (AC IN ~) du projecteur.



- 2 Insérez la fiche du cordon d'alimentation fourni sur une prise secteur murale.



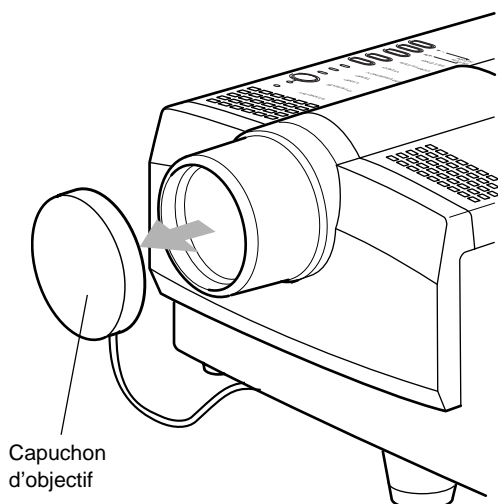
#### ATTENTION

Pour éviter les incendies et les électrocutions, respectez ce qui suit:

- Lorsque vous n'utilisez pas les appareils, débranchez leurs cordons d'alimentation des prises secteur murales.
- Ne connectez pas les appareils en utilisant des cordons d'alimentation autres que les cordons fournis.
- N'utilisez pas une tension différente de la tension indiquée.
- Ne coupez pas, n'endommagez pas ni ne modifiez les cordons d'alimentation. Ne mettez pas d'objets lourds dessus, ne chauffez pas ni ne tirez sur les cordons d'alimentation, car ils seraient endommagés.
- Ne branchez ni ne débranchez les fiches avec les mains mouillées.

#### ATTENTION

- Comme le courant nécessaire pour le projecteur est élevé, insérez la fiche d'alimentation directement dans la prise secteur murale.



#### ■ Pour utiliser le projecteur

- Retirez le capuchon d'objectif.

\* Le capuchon d'objectif a un fil qui lui est attaché et qui est fixé au projecteur.

N'oubliez pas de remettre le capuchon en place quand vous n'utilisez pas le projecteur.

### Mise sous tension des appareils connectés au projecteur

Mettez sous tension le projecteur et les appareils connectés dans l'ordre suivant.

Sautez les appareils non-connectés, s'il y en a.

Mettez sous tension le moniteur de l'ordinateur envoyant un signal au projecteur.

Les périphériques de l'ordinateur envoyant un signal au projecteur  
(Disque dur, disque magnéto-optique, scanner, etc.)

Mettez sous tension les appareils audio/vidéo envoyant un signal au projecteur.

Le projecteur lui-même

Mettez sous tension les appareils à qui le projecteur envoie un signal.  
(Appareils audio/vidéo et moniteurs)

Mettez sous tension l'ordinateur envoyant un signal au projecteur.

\* Pour mettre les appareils hors tension, utilisez l'ordre inverse.

#### Mémo

Si vous appuyez sur la touche OPERATE quand l'appareil n'est pas sous tension:

Si le filtre ou le couvercle de remplacement de la lampe est mal placé, le projecteur ne se met pas sous tension. Vérifiez qu'ils sont correctement installés.

#### PRÉCAUTIONS ET REMARQUES

**Ne coupez pas brutalement l'alimentation avec l'interrupteur MAIN POWER quand le projecteur est utilisé ou immédiatement après. Cela pourrait entraîner un mauvais fonctionnement.**

- Comme le projecteur utilise une lampe à haute intensité qui est chauffée à haute température, les ventilateurs de refroidissement fonctionnent même pendant la projection. De même, après l'utilisation, les ventilateurs de refroidissement continuent de fonctionner quand la touche OPERATE est pressée, jusqu'à ce que la lampe source de lumière ait refroidi. Pendant le refroidissement, l'indicateur STAND BY clignote pour avertir que les ventilateurs de refroidissement fonctionnent. Pendant cette période de temps, ne mettez pas le projecteur hors tension. Une fois que le refroidissement de la lampe source de lumière est terminé (les ventilateurs sont arrêtés) et que l'indicateur STAND BY s'est allumé, mettez le projecteur hors tension.
- Si vous appuyez sur la touche OPERATE immédiatement après que la lampe source de lumière s'est allumée, il faudra environ 40 secondes avant que la lampe s'éteigne. Pour rallumer la lampe, attendez 10 secondes ou plus avant d'appuyer sur la touche OPERATE.

**Si l'indicateur TEMP s'allume, l'alimentation est coupée automatiquement.**

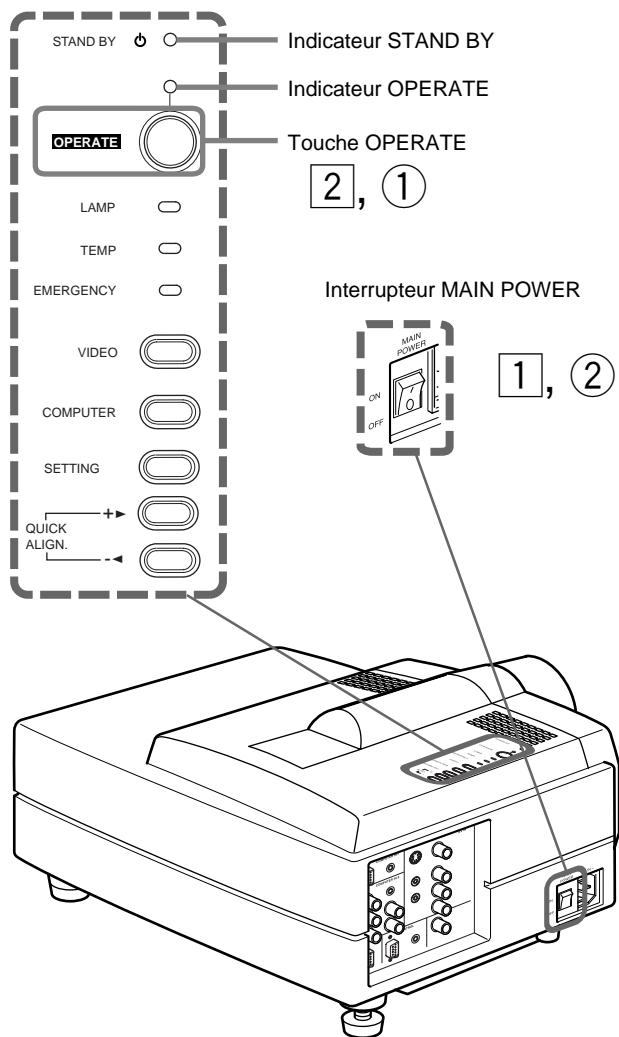
- Pendant que la lampe source de lumière est allumée, si une température anormalement élevée est détectée, l'indicateur TEMP s'allume, l'alimentation est coupée automatiquement et l'indicateur EMERGENCY clignote (mode d'urgence).

**Quand l'indicateur EMERGENCY clignote, mettez le projecteur hors tension après que les ventilateurs de refroidissement ont arrêté de fonctionner.**

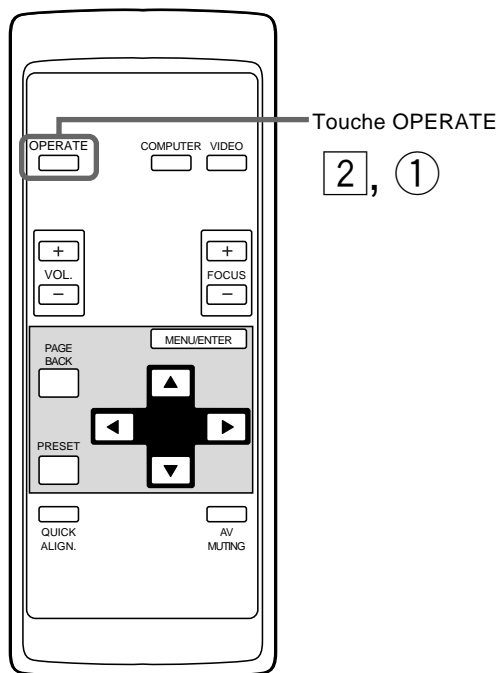
- Si les anomalies suivantes se produisent, le projecteur entre en mode d'urgence (l'indicateur EMERGENCY clignote). Quand le projecteur entre en mode d'urgence, il arrête la projection automatiquement et laisse fonctionner les ventilateurs pendant environ 20 secondes.
  - Quand le filtre est mal placé.
  - Quand le filtre est sale.
  - Quand la lampe source de lumière s'éteint soudainement.
  - Quand les ventilateurs s'arrêtent.
  - Quand la température intérieure s'élève anormalement.
- Quand le projecteur entre en mode d'urgence:  
Après que les ventilateurs se sont arrêtés, mettez l'appareil hors tension et débranchez le cordon d'alimentation. Rebranchez ensuite le cordon d'alimentation et essayez de faire fonctionner le projecteur. S'il retourne en mode d'urgence, mettez-le hors tension après que les ventilateurs se sont arrêtés, débranchez le cordon d'alimentation et consultez un revendeur autorisé JVC ou un centre de service pour le faire réparer.

# Fonctionnement de base

## ■ Touches du projecteur



## ■ Télécommande



Ce qui suit décrit la procédure de base pour l'utilisation normale du projecteur.

### 1. Mise sous tension

- 1 **Mettez l'interrupteur MAIN POWER sur la position ON [ I ].**  
ON [ I ]: L'appareil est mis sous tension et l'indicateur STAND BY s'allume.



- 2 **Appuyez sur la touche OPERATE. (Ou appuyez sur la touche OPERATE de la télécommande pendant plus d'une seconde.)**

- L'indicateur OPERATE s'allume.
- Environ 30 secondes après que l'appareil a été mis sous tension à l'aide de l'interrupteur MAIN POWER vous pouvez commencer la projection.



### Remarques

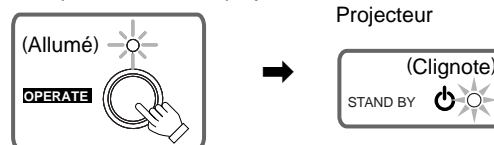
- Après la mise sous tension, l'écran peut apparaître brouillé pendant quelques secondes, mais ce n'est pas un mauvais fonctionnement.
- Si la lampe source de lumière ne s'allume pas, essayez d'appuyer de nouveau sur la touche OPERATE.  
(Ou appuyez sur la touche OPERATE sur la télécommande pendant plus d'une seconde.)

### ■ Mise hors tension

- 1 **Appuyez sur la touche OPERATE. (Ou appuyez sur la touche OPERATE de la télécommande pendant plus d'une seconde.)**

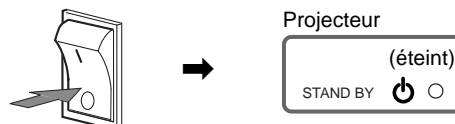
- L'indicateur STAND BY clignote et le projecteur entre en mode de refroidissement.

Exemple de touche du projecteur



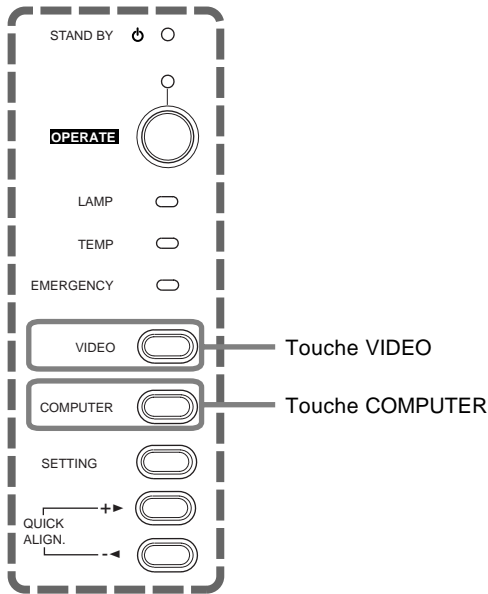
- 2 **Mettez l'interrupteur MAIN POWER sur la position OFF [ O ] après que l'indicateur STAND BY s'est allumé d'une façon constante.**

OFF [ O ]: L'appareil est mis hors tension et l'indicateur STAND BY s'éteint.

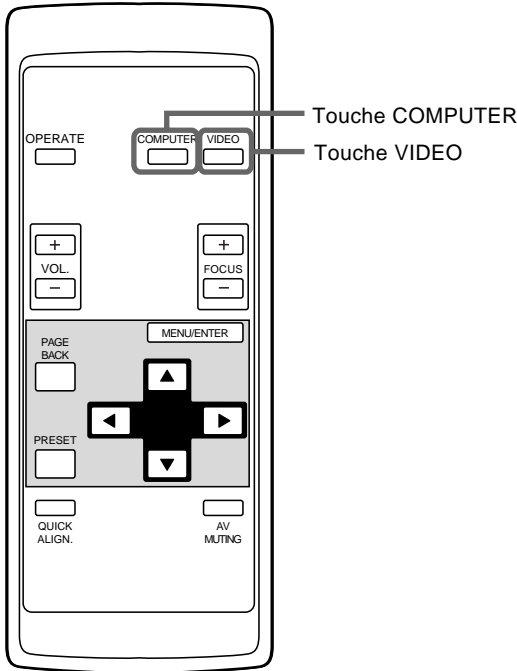


\* Ne mettez pas l'appareil hors tension pendant le mode de refroidissement (l'indicateur STAND BY clignote). Mettez-le hors tension après que l'indicateur STAND BY s'est allumé de façon constante (mode d'attente).

■ Touches du projecteur



■ Télécommande



2. Sélection de l'entrée vidéo à projeter

■ Appuyez sur la touche VIDEO ou sur la touche COMPUTER pour choisir l'entrée.

- Chaque fois que vous appuyez sur la touche, l'entrée choisie change comme suit.

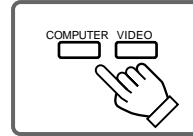
■ Quand vous appuyez sur VIDEO:



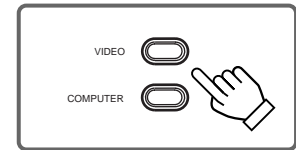
■ Quand vous appuyez sur COMPUTER:



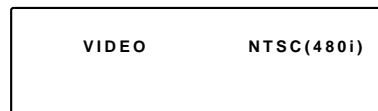
Télécommande



Projecteur



Affichage



- \* Quand l'entrée est commutée, l'affichage de la ligne (ex. VIDEO) et l'affichage de la source (ex. NTSC(480i)) sont montrés sur la partie supérieure de l'écran (ils disparaissent au bout de 5 secondes). Cependant, ils n'apparaissent pas si AFF SOURCE (affichage source) dans "réglage et ajustement des autres fonctions (OPTIONS)" à la page 43 est réglé sur OFF.

(Pour régler la source, voir page 46.)

Remarque

• Pour choisir l'entrée audio correcte pour l'entrée vidéo

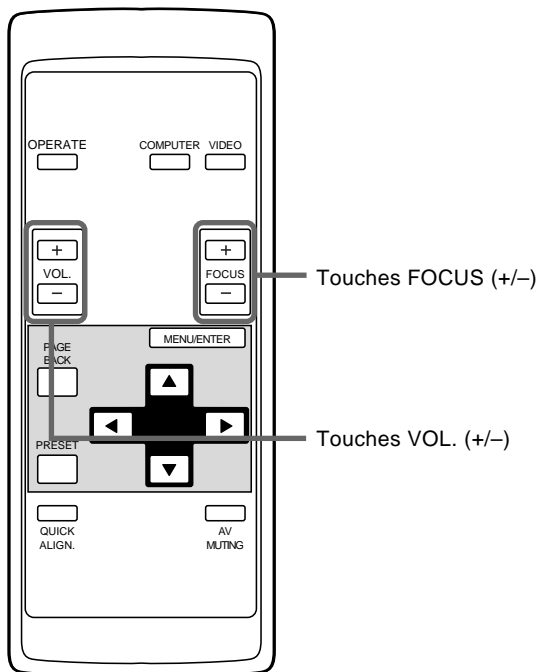
La prise d'entrée vidéo (prise d'entrée AV IN) peut être changée avec la touche VIDEO. Cependant, comme ce projecteur n'a qu'une prise d'entrée audio, reconnectez l'entrée audio en fonction de l'appareil audio/vidéo utilisé.

ATTENTION

- NE FRAPPEZ PAS ce projecteur pendant qu'il fonctionne; sinon, la lampe source de lumière risquerait de s'éteindre (l'indicateur EMERGENCY s'allume).

Si le choc éteint la lampe source de lumière —  
**Mettez l'appareil hors tension en appuyant sur l'interrupteur MAIN POWER, puis mettez-le à nouveau sous tension. Vous pouvez à présent utiliser le projecteur comme d'habitude.**

## ■ Télécommande

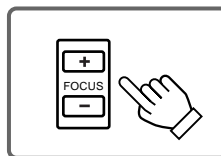


## 3. Ajustement de la mise au point

### ■ Ajustez la mise au point avec les touches FOCUS (+/-) de la télécommande.

- Pour faire la mise au point sur un point plus éloigné: Appuyez sur la touche FOCUS (+).
- Pour faire la mise au point sur un point plus proche: Appuyez sur la touche FOCUS (-).

Télécommande



### Remarque

- L'ajustement de la mise au point peut aussi être réalisé à partir du menu de réglage. Pour utiliser le menu de réglage, référez-vous à "Réglages de base" à la page 31.

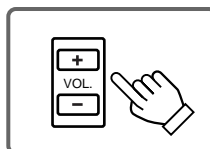
## 4. Ajustement du volume sonore

### ■ Ajustez le volume sonore avec les touches VOL. (+/-) de la télécommande.

- Quand vous appuyez sur la touche VOL. (+): Le volume sonore augmente. (0 → 50)
- Quand vous appuyez sur la touche VOL. (-): Le volume sonore diminue. (50 → 0)

- Quand vous appuyez sur l'une de ces touches, le niveau VOLUME. correspondant est affiché sur l'écran (l'affichage disparaît après environ 5 secondes).

Télécommande



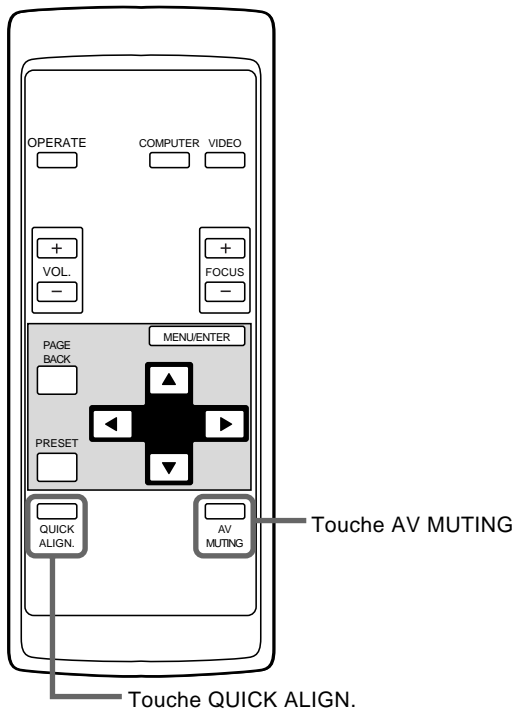
Affichage sur l'écran



### Remarque

- Le volume sonore peut être ajusté sur le menu de réglage. Pour utiliser le menu de réglage, référez-vous à "Réglages de base" à la page 31.

## ■ Télécommande



## ● Pour utiliser les autres fonctions

### ■ Pour couper l'image vidéo et le son temporairement.

Appuyez sur la touche AV MUTING.

#### ■ Appuyez une fois:

L'image vidéo et le son sont coupés (ne sortent plus).

#### ■ Appuyez de nouveau:

L'image vidéo et le son sortent à nouveau.

Télécommande



### ■ Pour utiliser la fonction d'alignement rapide

La fonction d'alignement rapide est utilisée pour ajuster automatiquement (régler) les réglages de l'écran "TRACK, PHASE, POSITION H. et POSITION V." du système d'entrée vidéo de l'ordinateur.

- Utilisez les touches de la télécommande ou du projecteur.

#### ■ Lors de l'utilisation de la télécommande:

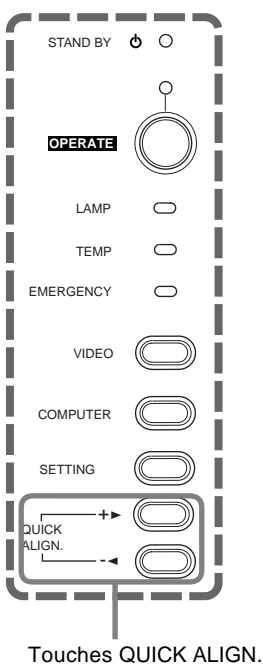
Appuyez sur la touche QUICK ALIGN.

#### ■ Lors de l'utilisation du projecteur:

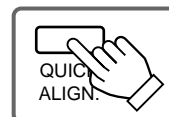
Effacez l'affichage du menu et appuyez sur les touches QUICK ALIGN. "+ ►" et "◀-" en même temps.

- \* Pendant l'ajustement automatique, "QUICK ALIGNMENT" apparaît sur l'écran et disparaît automatiquement quand l'ajustement est terminé.

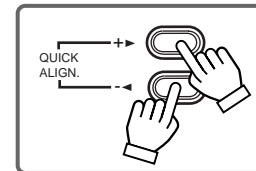
## ■ Touches du projecteur



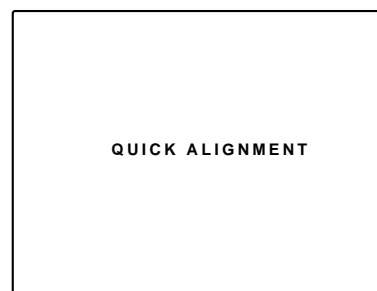
Télécommande



Projecteur



Affichage sur l'écran



### Remarque

- Cette fonction fonctionne uniquement pour les entrées d'ordinateur. Elle ne fonctionne pas pour les entrées audio/vidéo.

### ATTENTION

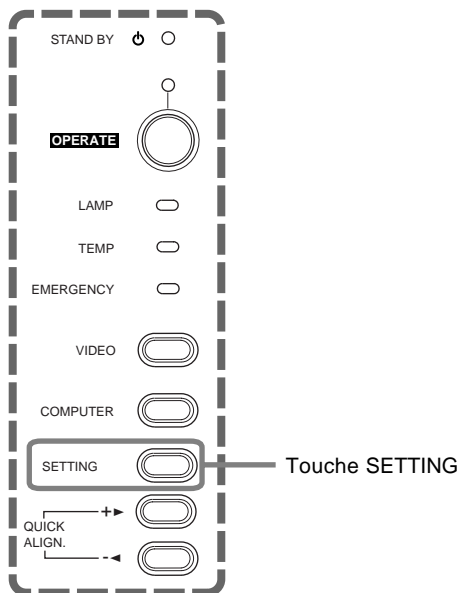
- Lors de la réalisation de l'ajustement automatique en utilisant la fonction d'alignement rapide:

Utilisez une image fixe et lumineuse. Elle ne fonctionnera pas correctement sur une image sombre ou animée.

Si l'image n'est pas correctement ajustée en utilisant la fonction d'alignement rapide, ajustez manuellement TRACK, PHASE, POSITION H. et POSITION V. (voir les pages 31, 37 et 38).



### ■ Touches du projecteur



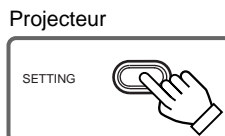
### ■ Pour afficher le menu RÉGLAGE menu

Le menu de réglage est utilisé pour réaliser les ajustements et les réglages de base (TRACK, PHASE, POSITION H., POSITION V., FOCUS, ZOOM\* et VOLUME) de l'image vidéo projetée après l'installation (connexion) ou après que l'entrée a été changée. Pour l'utilisation du menu de réglage, référez-vous à "Réglages de base" à la page 31.

\* "ZOOM" ne peut pas être réglé.

#### • Appuyez sur la touche SETTING du projecteur.

Le menu de réglage est affiché sur l'écran.



### ■ Pour afficher le menu principal

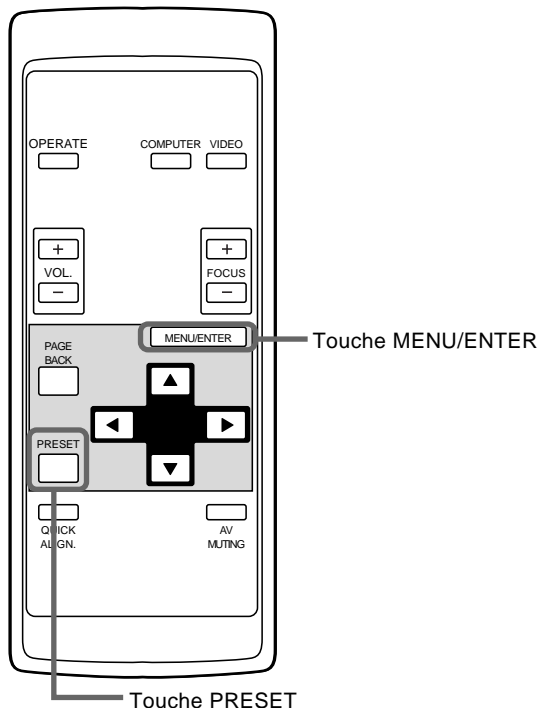
Le menu principal est utilisé pour ajuster ou régler l'image vidéo projeté, l'état du projecteur, etc. (HORLOGE PIXEL, POSITION, IMAGE, SON, OPTIONS, SOURCE, DECODEUR et LANGUAGE). Pour utiliser le menu principal, référez-vous aux pages 34 à 47.

#### • Appuyez sur la touche MENU/ENTER de la télécommande.

Le menu principal apparaît sur l'écran.



### ■ Télécommande



### Remarque

#### • Pour changer la langue du menu affiché

Le anglais est réglé quand le projecteur est expédié de l'usine. La langue d'affichage peut être choisie parmi six langues: 日本語 (japonais), ENGLISH (anglais), DEUTSCH (allemand), ESPAÑOL (espagnol), ITALIANO (italien), et FRANÇAIS. Cependant, certains mots comme "QUICK ALIGNMENT" sont affichés seulement en anglais. Les pronoms comme l'affichage de la ligne et de la source sont traités de la même façon.

#### ■ Pour utiliser la touche PRESET de la télécommande

La touche PRESET est utilisée pour réaliser les ajustements sur le menu principal ou le menu de réglage.

#### • Pour réinitialiser aux valeurs pré-réglées en usine uniquement les réglages choisis, appuyez sur la touche PRESET de la télécommande.

Seul le réglage de l'élément choisi est réinitialisé aux valeurs de l'usine.



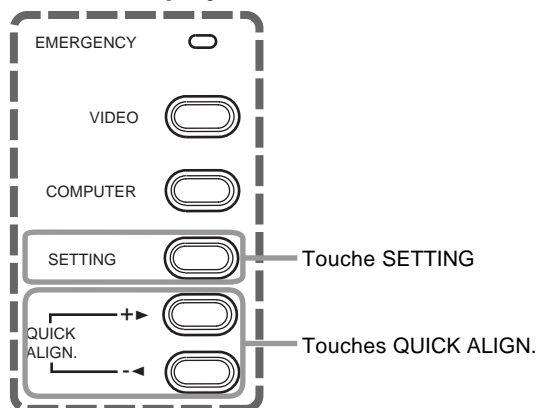
### Remarques

- Cette touche ne fonctionne que pour les valeurs numériques. Elle ne fonctionne pas pour commuter entre ON et OFF.
- Pour les éléments tels que HORLOGE PIXEL (TRACK et PHASE), POSITION (POSITION H. et POSITION V.), SON (AIGÜÉ et GRAVE), les deux réglages sont réinitialisés en même temps.

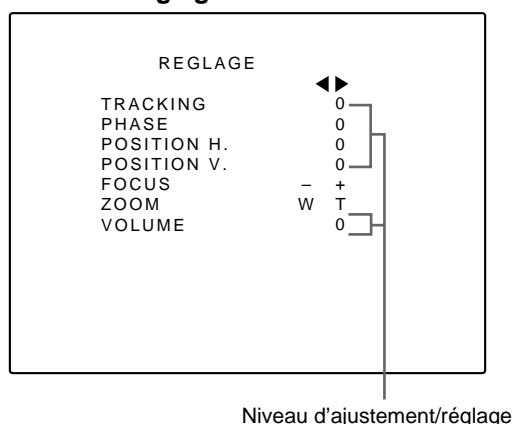
# Utilisation du menu de réglage

## Réglages de base

### ■ Touches du projecteur



### ■ Menu de réglage



### Description des éléments d'ajustement et de réglage

<b>TRACK</b>	: Si de larges bandes verticales apparaissent sur l'écran, ajustez la taille vidéo latérale et la zone d'affichage de façon qu'elles disparaissent. (-255 ↔ 0 ↔ +255)
<b>PHASE</b>	: Si les caractères sur l'écran papillote ou deviennent sombres, ajustez de façon qu'ils deviennent clairs. (-127 ↔ 0 ↔ +127)
<b>POSITION H.</b>	: Si la position de l'écran est décalée vers la droite ou vers la gauche, ajustez la position horizontale de l'écran. (-255 ↔ 0 ↔ +255)
<b>POSITION V.</b>	: Si la position de l'écran est décalée vers le haut ou vers le bas, ajustez la position verticale de l'écran. (-120 ↔ 0 ↔ +120)
<b>FOCUS</b>	: Ajuste la mise au point de l'image. -: Fait la mise au point sur des points plus loin. +: Fait la mise au point sur des points plus proches.
<b>ZOOM</b>	: Ce projecteur ne possède pas la fonction ZOOM. Bien que "ZOOM" apparaisse sur le menu de réglage, il ne peut pas être réglé.
<b>VOLUME</b>	: Ajuste le niveau sonore. (0 ↔ 50)

Ici, nous faisons les ajustement vidéo de base et du volume sonore qui ont été réglés après l'installation (connexion).

### Remarques

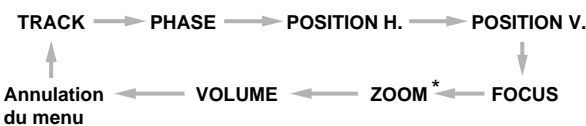
- Ce menu d'ajustement (menu de réglage) peut être uniquement affiché avec la touche du projecteur. Après avoir affiché le menu de réglage, vous pouvez choisir ou régler (ajuster) les éléments avec les touches de curseur sur la télécommande.
- Si les réglages et les connexions sont modifiés, ajustez et réglez ces éléments à nouveau.
- Après cet ajustement (menu de réglage), si l'ajustement de l'image vidéo est nécessaire en utilisant les appareils connectés, réalisez les réglages et les ajustements détaillés sur le menu principal (pages 34 à 47).
- Pour les entrées d'ordinateur, l'utilisation de la fonction d'ajustement rapide permet l'ajustement automatique de TRACK, PHASE, POSITION H. et POSITION V. (Voir les pages 31, 37 et 38).
- Bien que "ZOOM" apparaisse sur le menu de réglage, il ne peut pas être réglé.

## 1 Appuyez sur la touche SETTING du projecteur.

- Le menu de réglage est affiché sur l'écran.

## 2 Appuyez sur la touche SETTING pour choisir l'élément souhaité.

- L'élément choisi est montré en magenta. Chaque fois que vous appuyez sur la touche, l'élément choisi change comme suit:



\* "ZOOM" ne peut pas être réglé.

### Mémo

**Pour choisir les éléments en utilisant la télécommande:**

Les éléments peuvent être choisis en utilisant les touches de curseur ▲ (arrière) ou ▼ (avant) de la télécommande. Dans ce cas, l'effacement du menu n'est pas disponible. L'élément choisi passe directement de VOLUME à TRACK.

## 3 Ajustez et réglez l'élément choisi en utilisant les touches QUICK ALIGN. +► ou -◀.

- Pour ajuster et régler plusieurs éléments, répétez les étapes 2 et 3.
- Pour réinitialiser la valeur de l'élément choisi (TRACK, PHASE, POSITION H. ou POSITION V.) aux valeurs de l'usine, appuyez sur la touche PRESET de la télécommande. Cette touche ne fonctionne pas pour la mise au point, le zoom ou le volume sonore.

**Pour ajuster et régler les éléments en utilisant la télécommande:**  
Les éléments peuvent être ajustés et réglés en utilisant les touches de curseur ◀ ou ▶ de la télécommande.

## 4 Effacez le menu de réglage en appuyant répétitivement sur la touche SETTING.

### Mémo

**Pour effacer le menu de réglage à partir de la télécommande:**

Vous pouvez aussi effacer le menu de réglage en appuyant sur la touche PAGE BACK sur la télécommande.

# Utilisation du menu principal

## Configuration du menu principal (entrée AV) Pour les entrées d'ordinateur, voir la page suivante.

Vous pouvez ajuster la qualité vidéo (IMAGE), la qualité audio (SON), etc. en utilisant les menus.

Les menus sont configurés comme suit:

### Menu principal (Entrées audio/vidéo: Pendant l'entrée d'un signal en AV IN)

HORLOGE PIXEL	TRACK	: Normalement, aucun ajustement n'est nécessaire. La taille latérale et la zone d'affichage de l'image vidéo sont ajustées.
	PHASE	: Normalement, aucun ajustement n'est nécessaire. Le papillotement ou l'assombrissement de l'image vidéo est ajusté.
POSITION	POSITION V.	: La position verticale de l'image vidéo projetée est ajustée.
	POSITION H.	: La position horizontale de l'image vidéo projetée est ajustée.
IMAGE	LUMINOSITE	: La luminosité de l'image vidéo projetée est ajustée.
	CONTRASTE	: Le contraste de l'image vidéo projetée est ajusté.
	DETAIL	: La netteté de l'image vidéo projetée est ajustée.
	COULEUR	: La densité de couleur de l'image vidéo projetée est ajustée.
	TEINTE	: La teinte de l'image vidéo projetée est ajustée. (Apparaît seulement pour les signaux NTSC)
	RAZ	: Tous les éléments ajustés sont réinitialisés.
SON	AIGUË	: Les aigus du son entré sont ajustés.
	GRAVE	: Les graves du son entré sont ajustés.
OPTIONS	MENU ARRET AUTO	: Met en (OUI) ou hors (NON) service l'effacement automatique des menus.
	AFF SOURCE	: Met en (ON) ou hors (OFF) service l'affichage de la ligne pendant environ 5 secondes après la commutation de l'entrée.
	INVERS D-G	: L'image vidéo est inversée horizontalement (pour une suspension à l'envers (au plafond)).
	INVERS H-B	: L'image vidéo est inversée verticalement (pour une suspension à l'envers (au plafond)).
	CLAMP	: Règle la position d'impulsion du verrouillage au palier arrière (BP) ou sur la partie basse de synchronisation (ST). Normalement, l'impulsion du verrouillage est utilisé à BP. Si, avec certains ordinateurs ou poste de travail, l'écran devient instable, comme par exemple trop sombre ou trop lumineux, essayez de commuter sur ST.
	REDIMENSION	: Ne fonctionne pas avec l'entrée AV (vidéo) input. (REDIMENSION apparaît en gris.)
	COULEUR FOND	: Spécifie la couleur du fond quand il n'y a pas de signal vidéo. La couleur du fond peut être choisie parmi BLEU, CYAN, NOIR, VERT, MAGENTA, ROUGE et JAUNE.
	TEMP. COULEUR	: Ajuste la température de couleur de l'image projetée. Ajustez quand l'image devient rougeâtre ou bleuâtre. La température de couleur peut être réglée sur BASSE, NORMAL ou HAUTE.
	CHG FORMAT	: Choisit le format (rapport vertical/horizontal) de l'image projetée. Le format réglé en usine est 4 : 3. Lors de la projection d'image vidéo "high-vision", le format 16:9 peut être choisi.
	VEILLE	: Règle la durée de la veille. Après la durée de veille réglée, le projecteur entre en mode d'attente. La durée de veille peut être réglée sur 10 minutes, 20 minutes, 30 minutes et 60 minutes.
TEMPS LAMPE	: Indique le nombre d'heures accumulées d'utilisation de la lampe.	
SOURCE	: Normalement utilisé sur AUTO. Si l'utilisation sur AUTO est instable, comme par exemple si la couleur n'apparaît pas, l'écran est déformé ou apparaît par intermittence, réglez la source spécialisée (mode forcé) en fonction du signal d'entrée.	
DECODEUR	: Normalement, réglez sur AUTO. Le système de couleur du signal d'entrée est indentifié automatiquement et montré entre parenthèses ( ). Quand l'utilisation en mode AUTO est instable comme quand par exemple la couleur n'apparaît pas, réglez sur le mode spécialisé du système de couleur en fonction du signal d'entrée. Vous pouvez choisir AUTO, NTSC(480i), NTSC4.43, PAL et SECAM.	
LANGUAGE	: Le texte sur l'écran peut être affiché dans une langue autre que l'anglais. Les langues qui peuvent être affichées sont les six suivantes: 日本語 (japonais), ENGLISH (anglais), DEUTSCH (allemand), ESPAÑOL (espagnol), ITALIANO (italien) et FRANÇAIS. Cependant, certains textes comme "QUICK ALIGNMENT", etc. n'apparaissent qu'en anglais.	

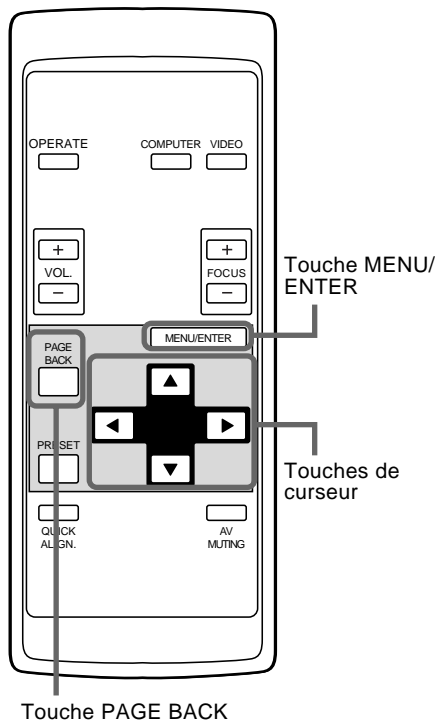
## Configuration du menu principal (Entrées d'ordinateur)

Menu principal (Entrées d'ordinateur: Pendant l'entrée d'un signal en COMPUTER IN-1 ou -2)

<b>HORLOGE PIXEL</b>	TRACK : La taille latérale et la zone d'affichage de l'image vidéo sont ajustées. PHASE : Le papillotement ou l'assombrissement de l'image vidéo est ajusté.
<b>POSITION</b>	POSITION V. : La position verticale de l'image vidéo projetée est ajustée. POSITION H. : La position horizontale de l'image vidéo projetée est ajustée.
<b>IMAGE</b>	LUMINOSITE : La luminosité de l'image vidéo projetée est ajustée. CONTRASTE : Le contraste de l'image vidéo projetée est ajusté. GAIN-R : Le gain du signal rouge de l'image vidéo projetée est ajusté. GAIN-V : Le gain du signal vert de l'image vidéo projetée est ajusté. GAIN-B : Le gain du signal bleu de l'image vidéo projetée est ajusté. MODE TEXTE : Ajuste la facilité de lire les textes pendant REDIMENSION. NORMAL : Normal TEXTE 1 : Affiche le relief des petites lettres. TEXTE 2 : Rend plus net le relief des grandes lettres. RAZ : Tous les éléments ajustés sont réinitialisés.
<b>SON</b>	AIGUË : Les aigus du son entré sont ajustés. GRAVE : Les graves du son entré sont ajustés.
<b>OPTIONS</b>	MENU ARRÊT AUTO : Met en (OUI) ou hors (NON) service l'effacement automatique des menus. AFF SOURCE : Met en (ON) ou hors (OFF) service l'affichage de la ligne pendant environ 5 secondes après la commutation de l'entrée. INVERS D-G : L'image vidéo est inversée horizontalement (pour une suspension à l'envers (au plafond)). INVERS H-B : L'image vidéo est inversée verticalement (pour une suspension à l'envers (au plafond)). CLAMP : Règle la position d'impulsion du verrouillage au palier arrière (BP) ou sur la partie basse de synchronisation (ST). Normalement, l'impulsion du verrouillage est utilisée à BP. Si, avec certains ordinateurs ou postes de travail, l'écran devient instable, comme par exemple trop sombre ou trop lumineux, essayez de commuter sur ST. REDIMENSION : Quand le nombre de pixels (résolution) reçu par l'entrée de l'image vidéo est plus petit que celui (résolution) de l'appareil D-ILA, l'image vidéo est alors agrandie à la taille plein écran de l'appareil D-ILA et projetée. (Indication de redimension) COULEUR FOND : Spécifie la couleur du fond quand il n'y a pas de signal vidéo. La couleur du fond peut être choisie parmi BLEU, CYAN, NOIR, VERT, MAGENTA, ROUGE et JAUNE. TEMP. COULEUR : Ajuste la température de couleur de l'image projetée. Ajustez quand l'image devient rougeâtre ou bleuâtre. La température de couleur peut être réglée sur BASSE, NORMAL ou HAUTE. CHG FORMAT : Choisit le format (rapport vertical/horizontal) de l'image projetée. Le format réglé en usine est 4 : 3. Lors de la projection d'image vidéo "high-vision", le format 16:9 peut être choisi. VEILLE : Règle la durée de la veille. Après la durée de veille réglée, le projecteur entre en mode d'attente. La durée de veille peut être réglée sur 10 minutes, 20 minutes, 30 minutes et 60 minutes. TEMPS LAMPE : Indique le nombre d'heures accumulées d'utilisation de la lampe.
<b>SOURCE</b>	: Normalement utilisé sur AUTO. Si l'utilisation sur AUTO set instable, comme par exemple si la couleur n'apparaît pas, l'écran est déformé ou apparaît par intermittence, réglez la source spécialisée (mode forcé) en fonction du signal d'entrée.
<b>DECODEUR</b>	: Ne fonctionne pas avec les entrées d'ordinateur. (Le système de couleur est indiqué en gris.)
<b>LANGUAGE</b>	: Le texte sur l'écran peut être affiché dans une langue autre que l'anglais. Les langues qui peuvent être affichées sont les six suivantes: 日本語 (japonais), ENGLISH (anglais), DEUTSCH (allemand), ESPAÑOL (espagnol), ITALIANO (italien) et FRANÇAIS. Cependant, certains textes comme "QUICK ALIGNMENT", etc. n'apparaissent qu'en anglais.

## Utilisation du menu principal (Fonctionnement de base du menu principal)

### ■ Télécommande



Pour les menus du projecteur, le menu de réglage et le menu principal sont disponibles.

Ici, nous expliquons le fonctionnement du menu principal. (voir pages 34 à 47)

Pour le menu de réglage, référez-vous à "Réglages de base" à la page 31.

### 1 Appuyez sur la touche MENU/ENTER.

- Le menu principal est affiché sur l'écran.

### 2 Choisissez un élément avec la touche de curseur ▲ ou ▼.

- L'élément choisi (texte affiché) est montré en magenta sur l'écran.

### 3 Réglez (ajustez) l'élément.

#### ■ Si vous avez choisi DECODEUR ou LANGUAGE,

- Réglez-le avec les touches de curseur ◀ ou ▶.

\* Pour sortir du menu principal, appuyez sur la touche PAGE BACK.

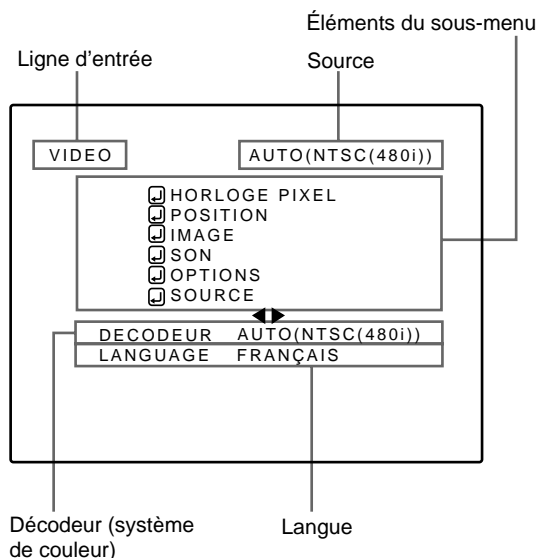
#### ■ Si vous avez choisi un élément sur le sous-menu,

- Appuyez sur la touche MENU/ENTER pour afficher le sous-menu, puis réglez (ajustez) l'élément avec les touches de curseur ◀ / ▶ ou ▲ / ▼.

\* Pour retourner au menu principal, appuyez de nouveau sur PAGE BACK. (Pour quitter le menu principal à partir du sous-menu, appuyez deux fois sur PAGE BACK.)

### ■ Menu principal

(Exemple: Pendant l'entrée d'un signal vidéo)



#### ■ À propos de l'affichage du menu principal:

##### Affichage de la ligne:

Le nom du mode d'entrée choisi est affiché. Pour le nom du mode d'entrée, "Y/C", "VIDEO", "YUV", "ORDINATEUR 1" et "ORDINATEUR 2" sont disponibles.

##### Affichage de la source:

Le type de signal entré est affiché. Avec ce projecteur, des appellations uniques ont été données à des fréquences horizontales et verticales spécifiques.

Cela permet à la source choisie dans SOURCE (élément de sous-menu) d'être indiquée. Le réglage de la source peut être choisi à partir du mode AUTO et des modes spécialisés (forcés). Quand AUTO est choisi, les fréquences horizontales et verticales d'un signal d'entrée sont détectées et l'appellation correspondante est affichée entre parenthèses ( ). Exemple d'affichage: "AUTO (NTSC(480i))"

Par conséquent, faites attention parce que l'affichage de la source ne correspond pas toujours à l'indication ou au type du signal d'entrée.

Pour les appellations uniques des fréquences horizontales et verticales spécifiques, voir les pages 19 et 46.

##### Affichage des éléments de sous-menu:

- HORLOGE PIXEL : Voir page 37.
- POSITION : Voir page 38.
- IMAGE : Voir pages 39~41.
- SON : Voir page 42.
- OPTIONS : Voir pages 43~45.
- SOURCE : Voir pages 46 et 47.

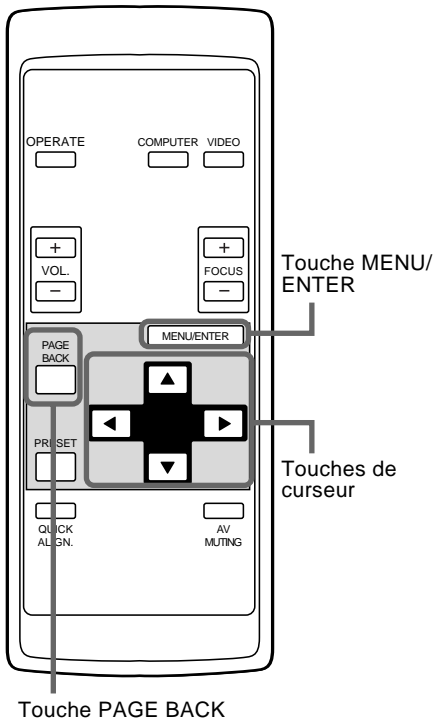
##### Affichage du décodeur (système de couleur):

Voir page 35.

##### Affichage de la langue: Voir page 36.

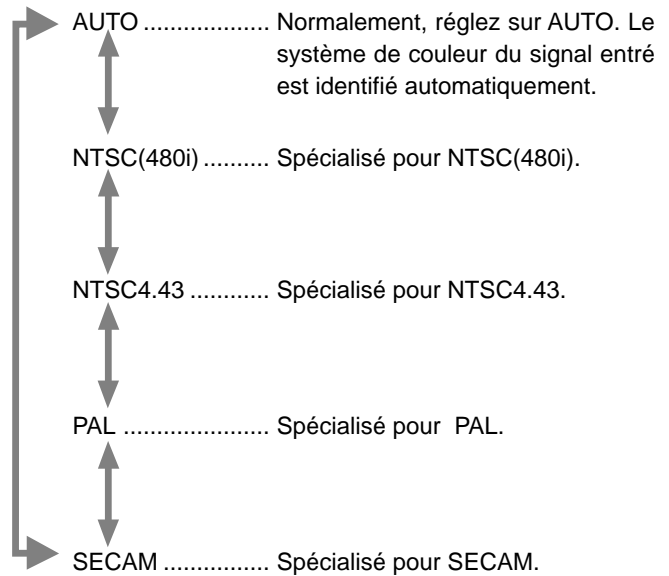
# Modification du système de couleur

## ■ Télécommande

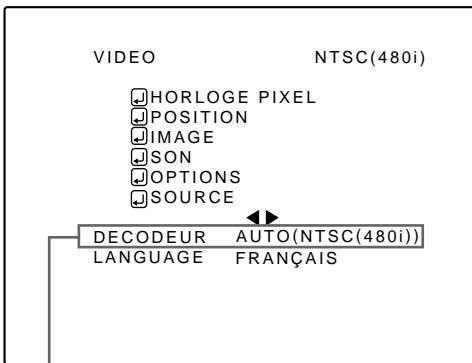


AUTO est réglé pour le système de couleur quand le projecteur est expédié de l'usine. Normalement utilisez AUTO. Si le fonctionnement en mode AUTO n'est pas stable comme quand la couleur n'apparaît pas, réglez un système de couleur spécialisé en fonction du système de couleur du signal entré.

- 1 Appuyez sur la touche MENU/ENTER.**
  - Le menu principal apparaît sur l'écran.
- 2 Choisissez "DECODEUR" avec la touche de curseur ▲ ou ▼.**
  - L'élément choisi (affiché en texte) apparaît en magenta sur l'écran.
- 3 Réglez le système de couleur avec la touche de curseur ◀ ou ▶.**
  - Chaque fois que vous appuyez sur la touche de curseur ◀ ou ▶, le système de couleur change comme suit.
  - ▶ : Avant / ◀ : arrière



## ■ Menu principal



Affichage du système de couleur (DECODEUR)

### Remarque

- Quand un signal d'ordinateur est entré, l'affichage du système de couleur change en gris, rendant cette opération impossible. Quand des signaux vidéo d'appareils AV sont entrés, l'élément pour le système de couleur peut être réglé.

### Mémo

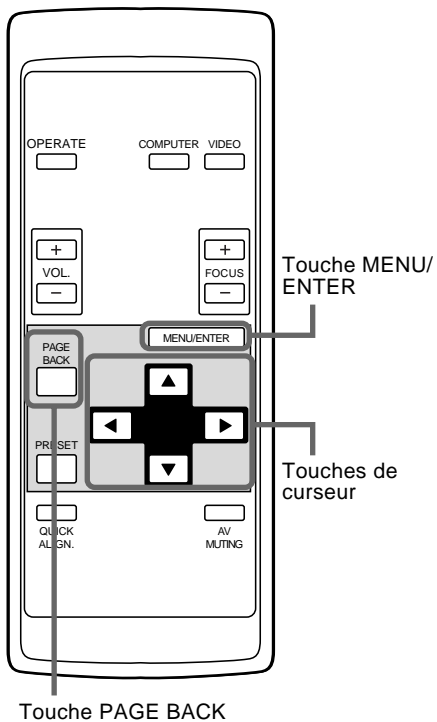
#### À propos de l'identification automatique du signal

- AUTO est choisi à l'expédition de l'usine. En mode AUTO, le système de couleur (DECODEUR) des signaux entrés est automatiquement affiché dans les parenthèses ( ). Référez-vous à l'affichage principal.
- Si le fonctionnement en AUTO n'est pas stable comme quand la couleur n'apparaît pas, réglez un système de couleur spécialisé en fonction du système de couleur du signal d'entrée. Quand le système de couleur du système d'entrée est réglé, faites attention car l'identification automatique ne fonctionne pas.

- Pour quitter le menu principal, appuyez sur la touche PAGE BACK.

# Modification de la langue d'affichage

## ■ Télécommande



La langue sur l'affichage du menu est réglée sur l'anglais à l'expédition de l'usine. Si vous souhaitez la changer, procédez comme suit.

### 1 Appuyez sur la touche MENU/ENTER.

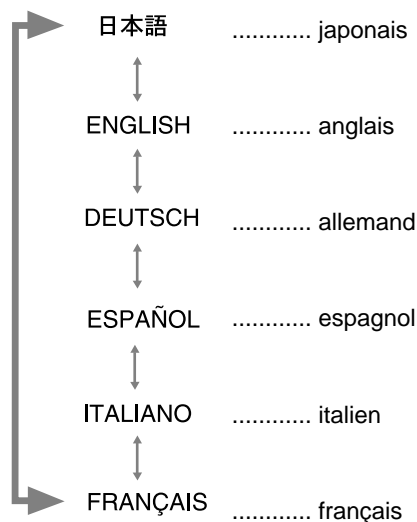
- Le menu principal apparaît sur l'écran.

### 2 Choisissez "LANGUAGE" avec la touche de curseur ▲ ou ▼.

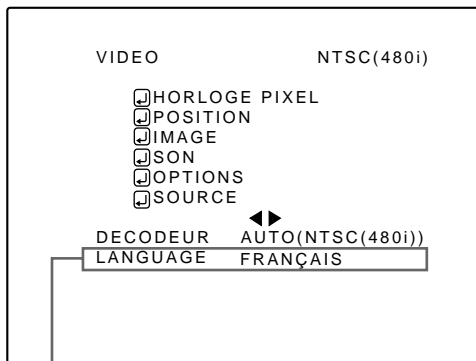
- L'élément choisi (affiché en texte) apparaît en magenta sur l'écran.

### 3 Réglez la langue souhaitée avec la touche de curseur ◀ ou ▶.

- Chaque fois que vous appuyez sur la touche de curseur ◀ ou ▶, la langue choisie change comme suit.  
▶ : Avant / ◀ : Arrière



## ■ Menu principal



Affichage de la langue

### Remarque

- L'élément choisi apparaît en magenta. Les éléments apparaissant en gris ne peuvent pas être utilisés ou réglés dans le mode actuel.

### Mémo

#### À propos de la langue d'affichage

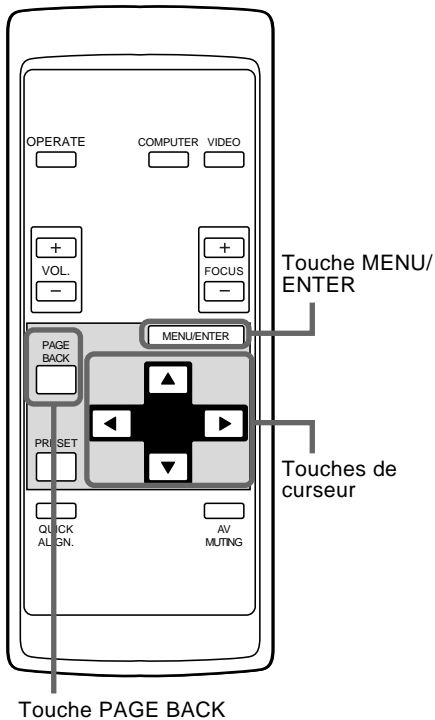
L'anglais est choisi lorsque le projecteur est expédié de l'usine. Les langues sur l'affichage du menu sont les six suivantes: 日本語 (japonais), ENGLISH (anglais), DEUTSCH (allemand), ESPAÑOL (espagnol), ITALIANO (italien), et FRANÇAIS.

Cependant, certains textes comme "QUICK ALIGNMENT" sont seulement affichés en anglais. Les désignations uniques comme l'affichage de l'entrée de ligne et de la source sont affichés de la même façon.

### ● Pour quitter le menu principal, appuyez sur la touche PAGE BACK.

# Ajustement de l'horloge pixel

## ■ Télécommande



L'horloge pixel doit être principalement ajustée pour les entrées d'ordinateur. (Normalement, il n'est pas nécessaire de l'ajuster pour les entrées vidéo.) Si une large bande apparaît sur l'écran, ajustez la taille latérale de l'image vidéo et la zone d'affichage (ajustement de l'alignement) de façon que la bande disparaisse.

Aussi, si le texte sur l'écran vidéo apparaît papillotant ou assombri, réalisez l'ajustement de façon qu'il devienne clair (ajustement de la phase).

### 1 Appuyez sur la touche MENU/ENTER.

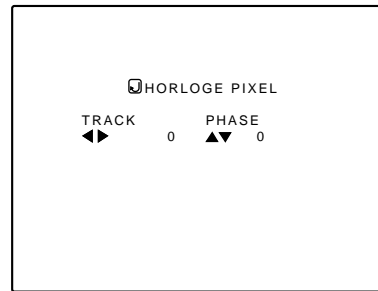
- Le menu principal apparaît sur l'écran.

### 2 Choisissez "HORLOGE PIXEL" avec la touche de curseur ▲ ou ▼.

- L'élément choisi (affiché en texte) apparaît en magenta sur l'écran.

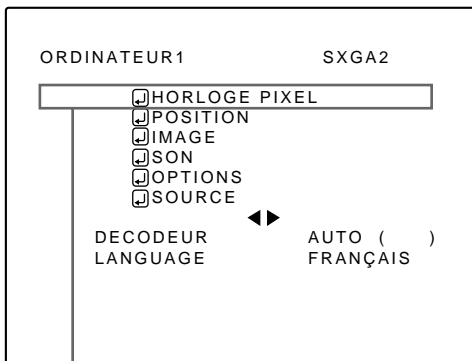
### 3 Appuyez sur la touche MENU/ENTER.

- Les éléments de sous-menu du menu HORLOGE PIXEL apparaissent sur l'écran.



(Menu HORLOGE PIXEL)

## ■ Menu principal



Élément du sous-menu (HORLOGE PIXEL)

### 4 Ajustez "TRACK" et "PHASE" avec les touches de curseur.

- Ajustez l'alignement (TRACK) et la phase de l'écran vidéo projeté. Pour ajuster la phase, vérifiez d'abord si l'ajustement de l'alignement est correct.

Élément ajusté	Touche	Contenu de l'ajustement
TRACK	◀	L'écran rétrécit latéralement (droite à gauche). (-255 ← 0 ← +255)
	▶	L'écran s'étend latéralement (droite à gauche). (-255 → 0 → +255)
PHASE	▲	Réglez sur une position où le texte apparaît clairement. (-127 → 0 → +127)
	▼	(-127 ← 0 ← +127)

### Remarques

- L'élément choisi apparaît en magenta. Les éléments apparaissant en gris ne peuvent pas être utilisés ou réglés dans le mode actuel.
- Un écran sombre peut être causé par un mauvais ajustement de la luminosité et du contraste. Avant d'ajuster la phase, assurez-vous que la luminosité et le contraste sont correctement ajustés.

\* Pour réinitialiser les valeurs pré-réglées en usine, appuyez sur la touche PRESET de la télécommande.

L'alignement et la phase sont réinitialisés aux valeurs pré-réglées en usine.

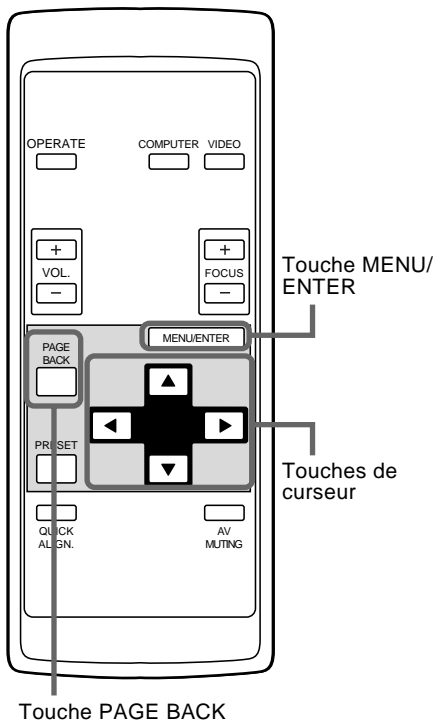
### ● Pour retourner au menu principal, appuyez sur la touche PAGE BACK. Pour quitter le menu principal, appuyez de nouveau sur PAGE BACK.

- Pour quitter l'affichage du menu à partir de l'affichage du sous-menu (menu HORLOGE PIXEL), appuyez deux fois sur PAGE BACK.



# Ajustement de la position de l'écran

## ■ Télécommande



Ajustez la position de l'écran s'il est décalé.

### 1 Appuyez sur la touche MENU/ENTER.

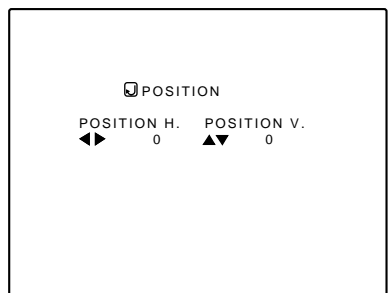
- Le menu principal apparaît sur l'écran.

### 2 Choisissez "POSITION" avec la touche de curseur ▲ ou ▼.

- L'élément choisi (affiché en texte) apparaît en magenta sur l'écran.

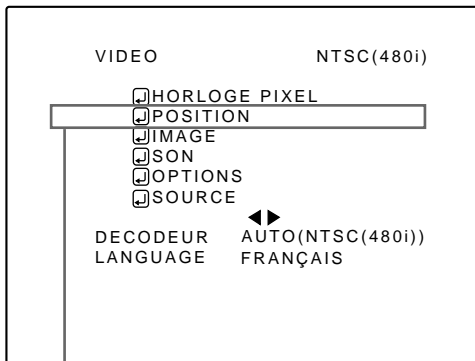
### 3 Appuyez sur la touche MENU/ENTER.

- Les éléments de sous-menu du menu POSITION apparaissent sur l'écran.



(Menu POSITION)

## ■ Menu principal



Élément du sous-menu (position)

### 4 Ajustez "POSITION H." et "POSITION V." avec les touches de curseur.

- Ajustez les positions horizontales et verticales de l'écran de l'image vidéo projetée.

Élément ajusté	Touche	Contenu de l'ajustement
POSITION H.	◀	L'écran se déplace vers la gauche. (-255 ← 0 ← +255)
	▶	L'écran se déplace vers la droite. (-255 → 0 → +255)
POSITION V.	▲	L'écran se déplace vers le haut. (-120 → 0 → +120)
	▼	L'écran se déplace vers le bas. (-120 ← 0 ← +120)

\* Pour réinitialiser les valeurs pré-réglées en usine, appuyez sur la touche PRESET de la télécommande. POSITION H. et POSITION V. sont réinitialisés aux valeurs pré-réglées en usine.

### Remarque

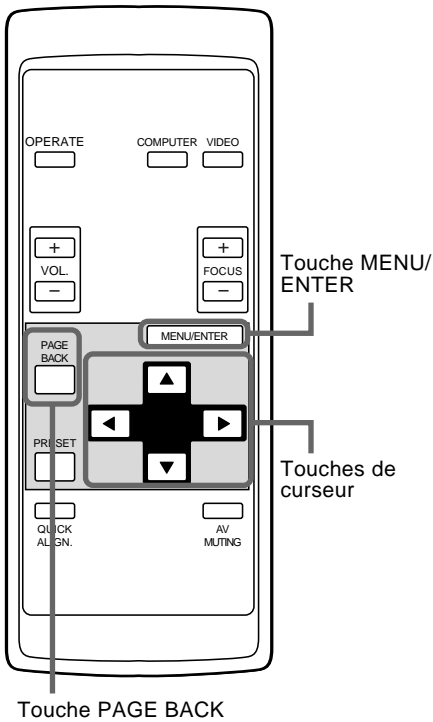
- L'élément choisi apparaît en magenta. Les éléments apparaissant en gris ne peuvent pas être utilisés ou réglés dans le mode actuel.

- Pour retourner au menu principal, appuyez sur la touche PAGE BACK. Pour quitter le menu principal, appuyez de nouveau sur PAGE BACK.

- Pour quitter l'affichage du menu à partir de l'affichage du sous-menu (menu POSITION), appuyez deux fois sur PAGE BACK.

## Ajustement de la qualité de l'image

### Télécommande



Ajustez la luminosité, le contraste, etc. de façon à obtenir l'écran souhaité. Les éléments ajustés (sur le menu IMAGE) sont différents quand des signaux vidéo sont entrés ou quand des signaux d'ordinateur sont entrés.

#### 1 Appuyez sur la touche MENU/ENTER.

- Le menu principal apparaît sur l'écran.

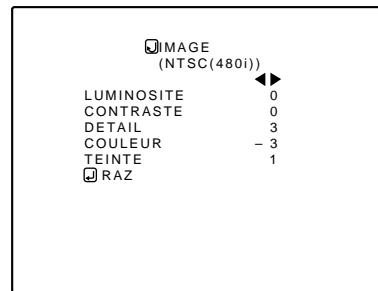
#### 2 Choisissez "IMAGE" avec la touche de curseur ▲ ou ▼.

- L'élément choisi (affiché en texte) apparaît en magenta sur l'écran.

#### 3 Appuyez sur la touche MENU/ENTER.

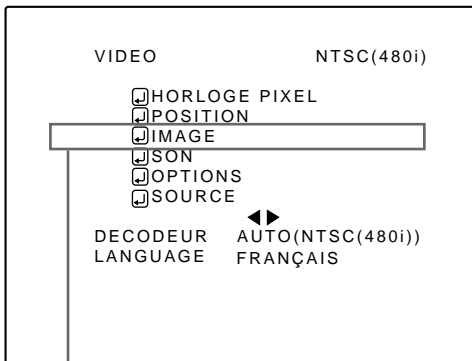
- Les éléments de sous-menu du menu IMAGE apparaissent sur l'écran.

#### ■ Quand des signaux AV sont entrés



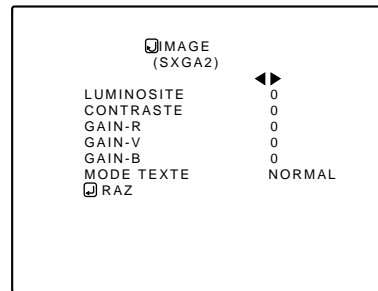
(Menu IMAGE)

### Menu principal



Élément de sous-menu (IMAGE)

#### ■ Quand des signaux d'ordinateur sont entrés



(Menu IMAGE)

#### 4 Choisissez l'élément à ajuster avec la touche de curseur ▲ ou ▼.

- Les éléments à ajuster (affichés en texte) apparaissent en magenta.

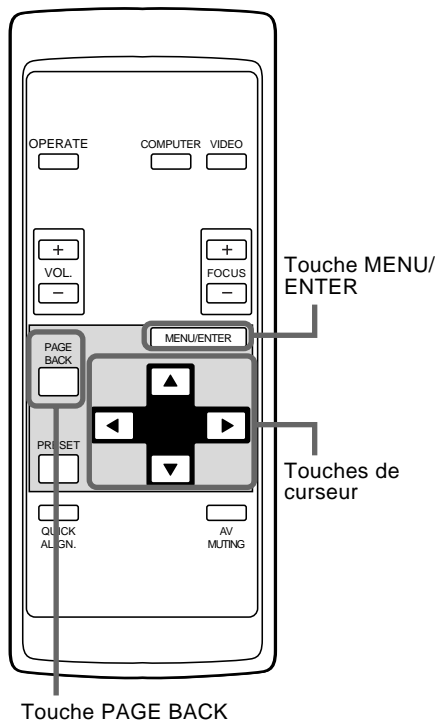
#### Remarques

- L'élément choisi apparaît en magenta. Les éléments apparaissant en gris ne peuvent pas être utilisés ou réglés dans le mode actuel.
- Les éléments ajustés (sur le menu IMAGE) sont différents quand des signaux AV sont entrés ou quand des signaux d'ordinateur sont entrés.

(Suite à la page suivante)

## Ajustement de la qualité de l'image (suite)

### ■ Télécommande



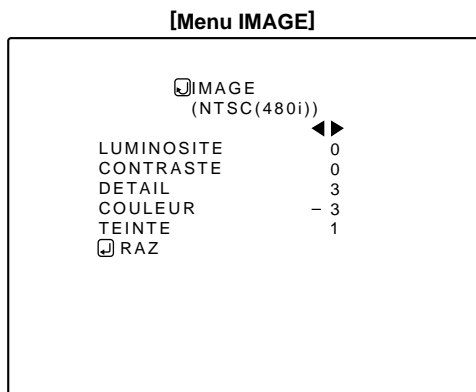
### 5 Réalisez l'ajustement avec la touche de curseur ◀ ou ▶.

#### ■ Pour l'entrée vidéo

- Pour ajuster plusieurs éléments, répétez les étapes 4 et 5.
- Pour réinitialiser tous les éléments (aux valeurs pré-réglées en usine "0"), choisissez RAZ avec les touches de curseur et appuyez sur la touche MENU/ENTER.
- Pour réinitialiser seulement les éléments choisis (à l'exception de RAZ) aux valeurs pré-réglées en usine, appuyez sur la touche PRESET de la télécommande. Les éléments choisis sont réinitialisés aux valeurs pré-réglées en usine.

Élément ajusté	Touche	Contenu de l'ajustement
LUMINOSITE	◀	Deviens plus sombre. (-30 ← 0 ← +30)
	▶	Deviens plus lumineux. (-30 → 0 → +30)
CONTRASTE	◀	Deviens plus faible. (-30 ← 0 ← +30)
	▶	Deviens plus fort. (-30 → 0 → +30)
DETAIL	◀	Deviens plus doux. (0 ← 7)
	▶	Deviens plus net. (0 → 7)
COULEUR	◀	Deviens plus doux. (-30 ← 0 ← +30)
	▶	Deviens plus profond. (-30 → 0 → +30)
TEINTE	◀	Deviens plus rougeâtre. (-30 ← 0 ← +30)
	▶	Deviens plus verdâtre. (-30 → 0 → +30)
RAZ	MENU/ENTER	Réinitialise tous les éléments du menu IMAGE aux valeurs pré-réglées en usine (0).

### ■ Éléments de sous-menu



#### Remarques

- L'élément choisi apparaît en magenta. Les éléments apparaissant en gris ne peuvent pas être utilisés ou réglés dans le mode actuel.
- Les éléments ajustés (sur le menu IMAGE) sont différents quand des signaux AV sont entrés ou quand des signaux d'ordinateur sont entrés.

#### Remarque

- L'élément d'ajustement TEINTE n'est affiché que pour les signaux NTSC. Il n'est pas affiché (ne peut pas être ajusté) quand des signaux PAL ou SECAM sont entrés.
- Quand des signaux vidéo sont entrés aux prises COMPUTER IN-2, les éléments d'ajustement "COULEUR" et "TEINTE" apparaissent mais ne peuvent pas être ajustés.

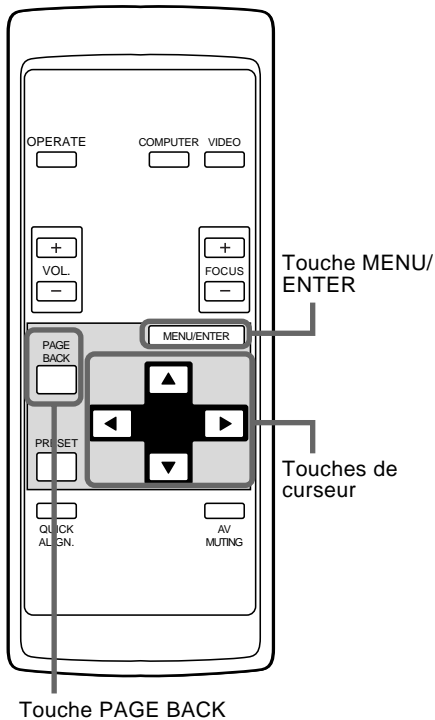
#### ■ Pour l'entrée d'ordinateur

- Pour ajuster plusieurs éléments, répétez les étapes 4 et 5.
- Pour réinitialiser tous les éléments (aux valeurs pré-réglées en usine "0"), choisissez RAZ avec les touches de curseur et appuyez sur la touche MENU/ENTER.
- Pour réinitialiser seulement les éléments choisis (à l'exception de RAZ) aux valeurs pré-réglées en usine, appuyez sur la touche PRESET de la télécommande. Les éléments choisis sont réinitialisés aux valeurs pré-réglées en usine.

(Suite à la page suivante)

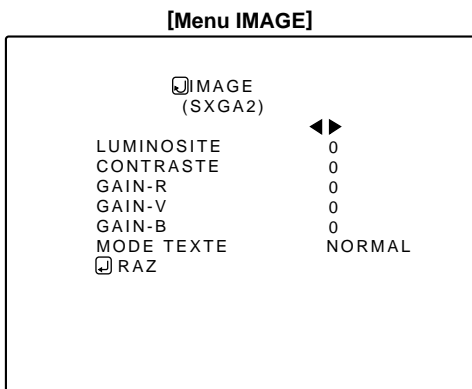
## Ajustement de la qualité de l'image (suite)

### ■ Télécommande



Élément ajusté	Touche	Contenu de l'ajustement
<b>LUMINOSITE</b>	◀	Devient plus sombre. (-30 ← 0 ← +30)
	▶	Devient plus lumineux. (-30 → 0 → +30)
<b>CONTRASTE</b>	◀	Devient plus faible. (-30 ← 0 ← +30)
	▶	Devient plus élevé. (-30 → 0 → +30)
<b>GAIN-R</b>	◀	Devient moins rouge. (-30 ← 0 ← +30)
	▶	Devient plus rouge. (-30 → 0 → +30)
<b>GAIN-V</b>	◀	Devient moins vert. (-30 ← 0 ← +30)
	▶	Devient plus vert. (-30 → 0 → +30)
<b>GAIN-B</b>	◀	Devient plus bleu. (-30 ← 0 ← +30)
	▶	Devient moins bleu. (-30 → 0 → +30)
<b>MODE TEXTE</b>		Règle un mode qui permet de lire facilement les textes.
	◀	
	▶	
<b>RAZ</b>	<b>MENU/ENTER</b>	Réinitialise tous les éléments du menu IMAGE aux valeurs pré-réglées en usine (Valeurs ajustées: 0, mode texte: NORMAL).

### ■ Éléments de sous-menu



#### Remarques

- L'élément choisi apparaît en magenta. Les éléments apparaissant en gris ne peuvent pas être utilisés ou réglés dans le mode actuel.
- Les éléments ajustés (sur le menu IMAGE) sont différents quand des signaux AV sont entrés ou quand des signaux d'ordinateur sont entrés.

#### Remarque

- Il y a une relation entre l'ajustement des éléments GAIN-R, GAIN-V et GAIN-B et l'élément CONTRASTE. Par exemple, quand les valeurs d'ajustement sont: GAIN-R: 0, GAIN-V: 5, GAIN-B: 0 et CONTRASTE: 0, changer le CONTRASTE sur 1 change les valeurs d'ajustement comme suit: GAIN-R: 1, GAIN-V: 6 et GAIN-B: 1.

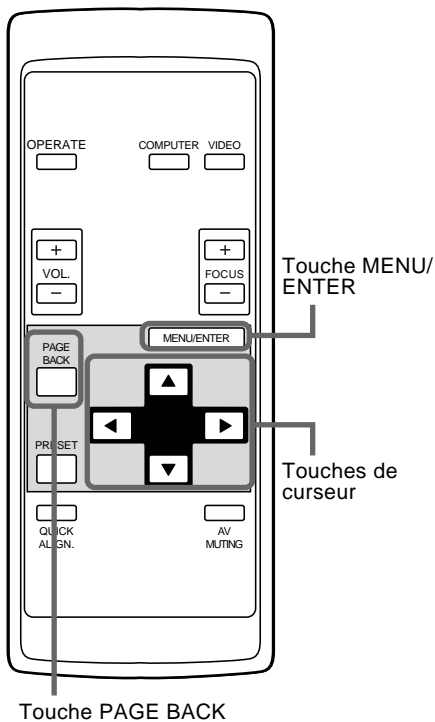
Aussi, quand les valeurs d'ajustement d'un des éléments GAIN-R, GAIN-V, et GAIN-B a atteint -30 (minimum) ou +30 (maximum), CONTRASTE ne peut plus être ajusté sur une valeur plus élevée. Par exemple, Quand GAIN-R est 0, GAIN-V est 5, GAIN-B est 0 et CONTRASTE est 0, augmenter le CONTRASTE permet aux autres valeurs d'ajustement d'être augmentées jusqu'à ce que GAIN-R: 25, GAIN-V: 30 et GAIN-B: 25, puis CONTRASTE devient 25 et ne peut plus être ajusté sur une valeur plus élevée.

- **Pour retourner au menu principal, appuyez sur la touche PAGE BACK. Pour quitter le menu principal, appuyez de nouveau sur PAGE BACK.**

- Pour quitter l'affichage du menu à partir de l'affichage du sous-menu (menu IMAGE), appuyez deux fois sur PAGE BACK.

# Ajustement de la qualité du son

## ■ Télécommande



Ajustez la qualité du son (aigus/graves).

### 1 Appuyez sur la touche MENU/ENTER.

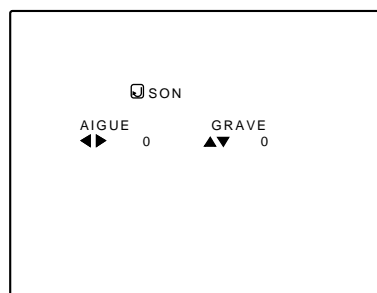
- Le menu principal apparaît sur l'écran.

### 2 Choisissez "SON" avec la touche de curseur ▲ ou ▼.

- L'élément choisi (affiché en texte) apparaît en magenta sur l'écran.

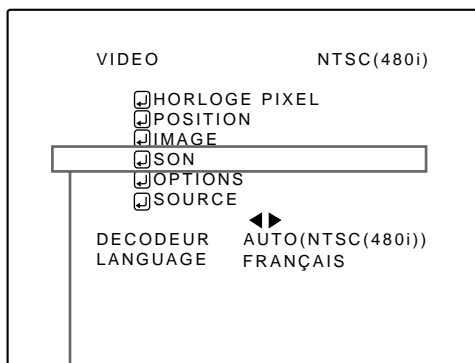
### 3 Appuyez sur la touche MENU/ENTER.

- Les éléments de sous-menu du menu SON apparaissent sur l'écran.



(Menu SON)

## ■ Menu principal



Élément de sous-menu (SON)

### 4 Ajustez "AIGUË" et "GRAVE" avec les touches de curseur.

- Ajustez la qualité du son (AIGUË et GRAVE).

Élément ajusté	Touche	Contenu de l'ajustement
AIGUË	◀	Devient plus faible. (-5 ← 0 ← +5)
	▶	Devient plus fort. (-5 → 0 → +5)
GRAVE	▲	Devient plus fort. (-5 → 0 → +5)
	▼	Devient plus faible. (-5 ← 0 ← +5)

\* Pour réinitialiser les valeurs pré-réglées en usine, appuyez sur la touche PRESET de la télécommande.

Les aigus et les graves sont réinitialisés aux valeurs pré-réglées en usine.

### Remarque

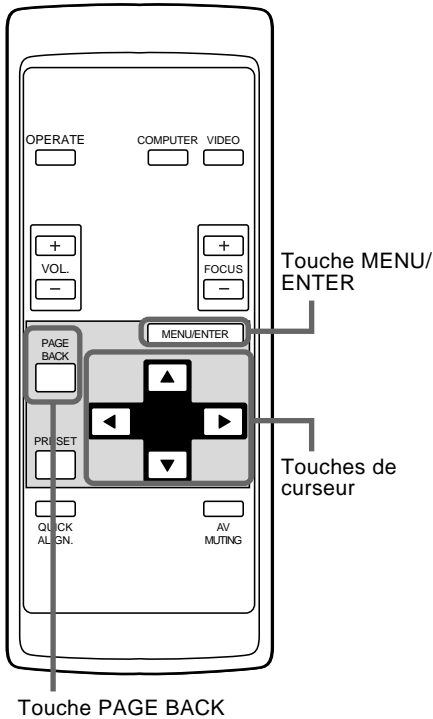
- L'élément choisi apparaît en magenta. Les éléments apparaissant en gris ne peuvent pas être utilisés ou réglés dans le mode actuel.

- Pour retourner au menu principal, appuyez sur la touche PAGE BACK. Pour quitter le menu principal, appuyez de nouveau sur PAGE BACK.

- Pour quitter l'affichage du menu à partir de l'affichage du sous-menu (menu SON), appuyez deux fois sur PAGE BACK.

## Réglage et ajustement des autres fonctions (OPTIONS)

### Télécommande



Les fonctions optionnelles suivantes peuvent être réglées (ajustées).

- MENU ARRET AUTO
- AFF SOURCE
- INVERS D-G
- INVERS H-B
- CLAMP
- REDIMENSION
- COULEUR FOND
- TEMP. COULEUR
- CHG FORMAT
- VEILLE
- TEMPS LAMPE

#### Mémo

#### À propos de durée d'utilisation de la lampe (TEMPS LAMPE)

La durée d'utilisation de la lampe indique le nombre d'heures accumulé de la lampe source de lumière et ne peut pas être réglé ou ajusté. Quand vous remplacez la lampe par une neuve, remettez à zéro cette durée (voir page 50.)

#### Remarque

- La fonction REDIMENSION ne fonctionne qu'avec les entrées d'ordinateur. Elle ne fonctionne pas pour les entrées vidéo.

### 1 Appuyez sur la touche MENU/ENTER.

- Le menu principal apparaît sur l'écran.

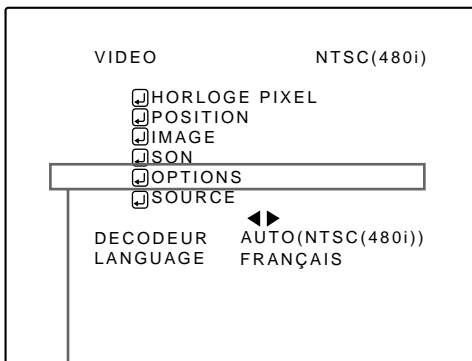
### 2 Choisissez "OPTIONS" avec la touche de curseur ▲ ou ▼.

- L'élément choisi (affiché en texte) apparaît en magenta sur l'écran.

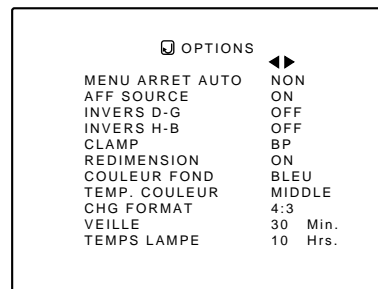
### 3 Appuyez sur la touche MENU/ENTER.

- Les éléments de sous-menu du menu OPTIONS sont affichés.

### Menu principal



Éléments de sous-menu (OPTIONS)



(Menu OPTIONS)

### 4 Choisissez l'élément à régler (ajuster) avec les touches de curseur ▲ ou ▼.

- L'élément à régler (ajuster) apparaît en magenta.

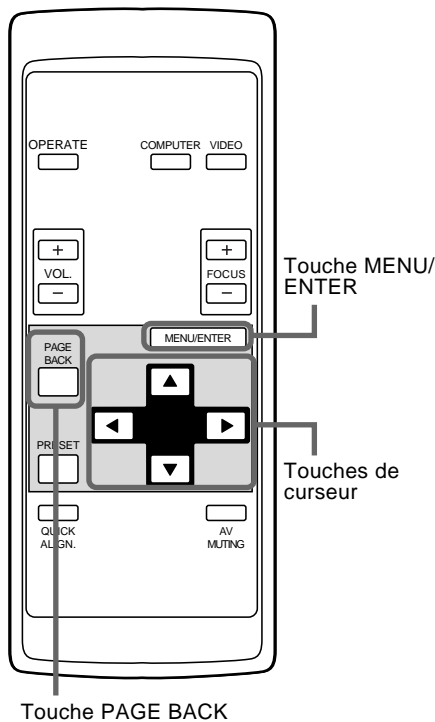
#### Remarque

- L'élément choisi apparaît en magenta. Les éléments apparaissant en gris ne peuvent pas être utilisés ou réglés dans le mode actuel.
- Les éléments réglés (ajustés) sont différents quand des signaux AV sont entrés ou quand des signaux d'ordinateur sont entrés.

(Suite à la page suivante)

Réglage et ajustement des autres fonctions (OPTIONS) (suite)

■ Télécommande



5 Réglez (ajustez) l'élément souhaité avec la touche de curseur ◀ ou ▶.

• Pour ajuster plusieurs éléments, répétez les étapes 4 et 5.

Élément ajusté	Touche	Contenu de l'ajustement
MENU ARRET AUTO	◀▶	Règle si l'affichage du menu s'efface ou non automatiquement après une période fixée de temps. (Réglage usine: NON) <b>OUI</b> : Efface l'affichage automatiquement après environ 25 secondes. <b>NON</b> : N'efface pas l'affichage automatiquement. <b>NON</b> ◀▶ <b>OUI</b>
AFF SOURCE	◀▶	Règle si l'affichage de l'entrée de ligne (Y/C, VIDEO, etc.) apparaît en haut de l'écran. (Réglage usine: ON) <b>OFF</b> : Ne montre pas l'affichage de la ligne. (L'affichage de la ligne disparaît environ 5 secondes après qu'il est apparu.) <b>OFF</b> ◀▶ <b>ON</b>
INVERS D-G	◀▶	Inversion horizontale (droite-gauche) de l'image. (Réglage usine: OFF) <b>OFF</b> : Pour la méthode de projection frontale <b>ON</b> : Pour une suspension inversée au plafond <b>OFF</b> ◀▶ <b>ON</b>
INVERS H-B	◀▶	Inversion verticale (haut-bas) de l'image. (Réglage usine: OFF) <b>OFF</b> : Pour une installation normale <b>ON</b> : Pour une suspension inversée au plafond <b>OFF</b> ◀▶ <b>ON</b>
CLAMP	◀▶	Règle la position d'impulsion du verrouillage au palier arrière (BP) ou sur la partie basse de synchronisation (ST). Normalement, l'impulsion du verrouillage est utilisée à BP. Si, avec certains ordinateurs ou postes de travail, l'écran devient instable, comme par exemple trop sombre ou trop lumineux, essayez de commuter sur ST. (Réglage usine: BP) <b>BP</b> : L'impulsion de verrouillage est positionnée au palier arrière. <b>ST</b> : L'impulsion de verrouillage est positionnée à la partie basse de synchronisation. <b>BP</b> ◀▶ <b>ST</b>
REDIMENSION	◀▶	Quand le nombre de pixels (résolution) reçu par l'entrée de l'image vidéo est plus petit que celui (résolution) de l'appareil D-ILA, l'image vidéo est alors agrandie à la taille plein écran de l'appareil D-ILA et projetée. (Indication de redimension). (Réglage usine: ON) Ne fonctionne pas (ne peut pas être réglé) pour les entrées vidéo. <b>OFF</b> : N'agrandit pas l'image vidéo pour la projection. Quand le nombre de pixels reçu par l'entrée de l'image vidéo est plus petit que celui (résolution) de l'appareil D-ILA, la projection est faite sur une petite taille d'écran avec une zone noire autour. <b>ON</b> : Agrandit virtuellement à la pleine taille d'écran de l'appareil D-ILA pour la projection (affichage de la redimension). <b>OFF</b> ◀▶ <b>ON</b>

■ Éléments de sous-menu

[Menu OPTIONS]

<input checked="" type="checkbox"/> OPTIONS	◀▶
MENU ARRET AUTO	NON
AFF SOURCE	ON
INVERS D-G	OFF
INVERS H-B	OFF
CLAMP	BP
REDIMENSION	ON
COULEUR FOND	BLEU
TEMP. COULEUR	NORMAL
CHG FORMAT	4:3
VEILLE	30 Min.
TEMPS LAMPE	10 Hrs.

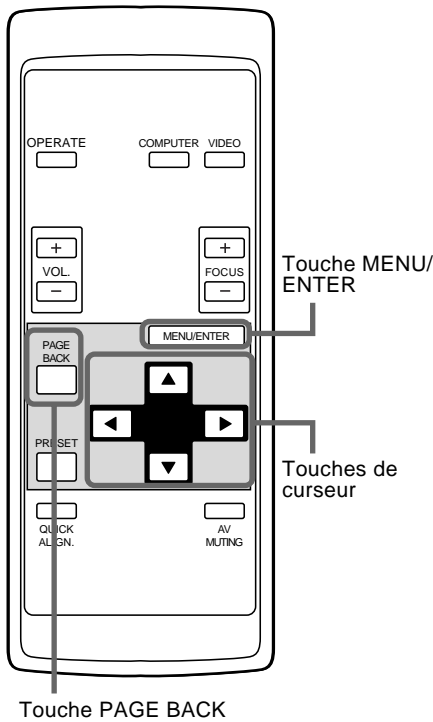
Remarques

- L'élément choisi apparaît en magenta. Les éléments apparaissant en gris ne peuvent pas être utilisés ou réglés dans le mode actuel.
- Les éléments réglés (ajustés) sont différents quand des signaux AV sont entrés ou quand des signaux d'ordinateur sont entrés.
- Quand vous mettez la fonction REDIMENSION en service (ON), permettant à l'écran d'être agrandi virtuellement à la pleine taille de projection (redimension de l'affichage), l'image vidéo (résolution) devient approximative.

(Suite à la page suivante)

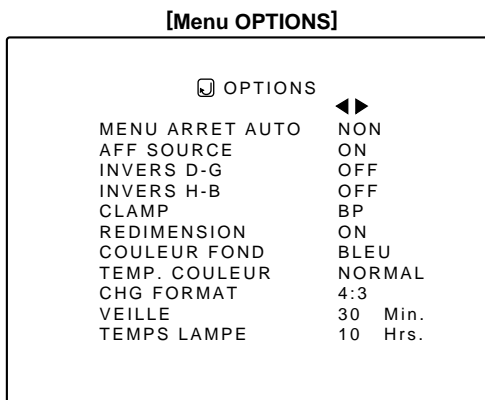
**Réglage et ajustement des autres fonctions (OPTIONS) (suite)**

**■ Télécommande**



Élément ajusté	Touche	Contenu de l'ajustement
<b>COULEUR FOND</b>	◀▶	Règle la couleur du fond quand il n'y a pas d'entrée de signal. (Réglage usine: BLEU) BLEU ↔ CYAN ↔ NOIR ↔ VERT JAUNE ↔ ROUGE ↔ MAGENTA
<b>TEMP. COULEUR</b>	◀▶	Règle la température de couleur de l'image vidéo projetée. Faites l'ajustement quand l'image devient rougeâtre ou bleuâtre. (Réglage usine: NORMAL) <b>BASSE</b> : La température de couleur diminue (L'image vidéo devient rougeâtre). <b>NORMAL</b> : Température de couleur moyenne. <b>HAUTE</b> : La température de couleur augmente (L'image vidéo devient bleuâtre). BASSE ↔ NORMAL ↔ HAUTE
<b>CHG FORMAT</b>	◀▶	Règle le rapport vertical/horizontal (4 : 3 ou 16 : 9) de l'image vidéo projetée. (Réglage usine: 4 : 3) <b>4 : 3</b> : Le format de l'image devient 4 : 3. Réglez le sur 4 : 3 pour la vidéo de signaux NTSC, NTSC4.43, PAL, SECAM. <b>16 : 9</b> : Le format de l'image devient 16 : 9. Réglez le sur 16 : 9 for Pour les appareils "Hi-Vision" (W-VHS VCR, etc.) 4 : 3 ↔ 16 : 9
<b>VEILLE</b>	◀▶	Règle la durée de la veille après laquelle le projecteur entre en mode d'attente. La durée de veille peut être réglée sur 10 minutes, 20 minutes, 30 minutes et 60 minutes. (Réglage usine: 30 minutes) 10 ↔ 20 ↔ 30 ↔ 60

**■ Éléments de sous-menu**



**Remarques**

- L'élément choisi apparaît en magenta. Les éléments apparaissant en gris ne peuvent pas être utilisés ou réglés dans le mode actuel.
- Les éléments réglés (ajustés) sont différents quand des signaux AV sont entrés ou quand des signaux d'ordinateur sont entrés.

- Pour retourner au menu principal, appuyez sur la touche **PAGE BACK**. Pour quitter le menu principal, appuyez de nouveau sur **PAGE BACK**.

- Pour quitter l'affichage du menu à partir de l'affichage du sous-menu (menu OPTIONS), appuyez deux fois sur **PAGE BACK**.

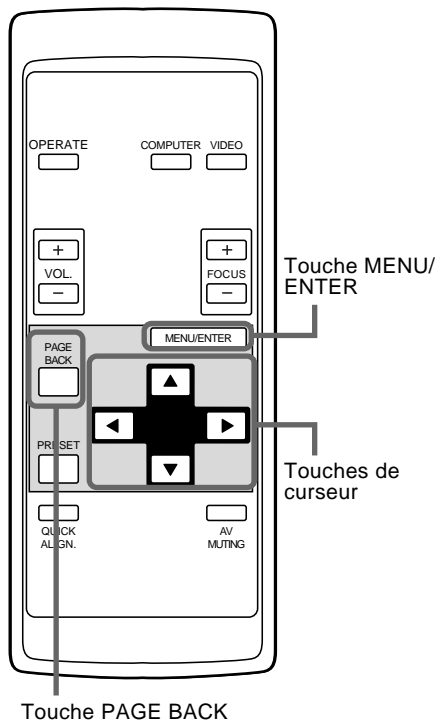
**Remarque**

- Lorsque vous regardez une image vidéo conventionnelle (normale) de format 4 : 3, qui n'est pas une image de format large, sur l'écran du projecteur avec la fonction de changement de format, la partie supérieure et inférieure de l'image vidéo devient partiellement invisible. Regardez ce genre d'image vidéo originale au format 4:3, en respectant les intentions du réalisateur.



## Modification (réglage) de la source

### ■ Télécommande



Normalement, utilisez le réglage de la source sur AUTO. Si l'utilisation en mode AUTO n'est pas stable comme quand par exemple la couleur n'apparaît pas, l'écran est déformé ou interrompu, réglez sur une source spécialisée (mode forcé) en fonction du signal d'entrée.

• À l'expédition de l'usine, les réglage des sources sont les suivants:

Mode d'entrée	Réglage usine	Mode d'entrée	Réglage usine
VIDEO	NTSC(480i)	ORDINATEUR 1	AUTO
Y/C	NTSC(480i)	ORDINATEUR 2	AUTO
YUV	AUTO	—	—

#### Remarques

- Selon le signal de l'appareil connecté, un ajustement peut être nécessaire après qu'une source spécialisée a été réglée. Si c'est le cas, ajustez les éléments appropriés.
- Quand le mode d'entrée (SOURCE) est VIDEO ou Y/C, et si AUTO est réglé, la fonction de détection automatique peut fonctionner, causant éventuellement une déformation ou une interruption de l'image sur l'écran. Dans ce cas, réglez sur une source spécialisée (mode forcé).
- Quand une lecture à effets spéciaux (recherche vers l'avant/ lecture à vitesse double/lecture à vitesse triple) est réalisée sur un magnétoscope, etc, l'image peut être déformée ou interrompue selon l'appareil utilisé.
- Lors de l'entrée d'un signal au format 480p ou 720p-DTV dans le mode d'entrée COMPUTER2, utilisez le mode de source spécialisé "SDTV(480p)" ou "HDTV1(720p)". (En mode AUTO, les signaux 480p ou 720p ne peuvent pas être détectés.)

### 1 Appuyez sur la touche MENU/ENTER.

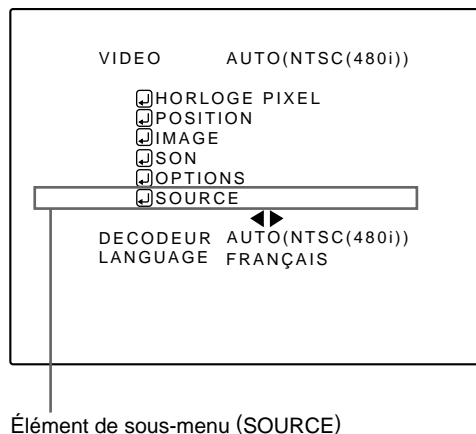
- Le menu principal apparaît sur l'écran.

### 2 Choisissez un élément de sous-menu "SOURCE" en utilisant la touche de curseur ▲ ou ▼.

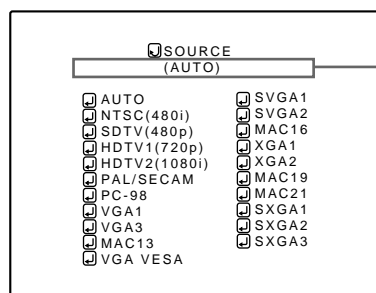
- L'élément SOURCE (affiché en texte) apparaît en magenta.

### 3 Appuyez sur la touche MENU/ENTER.

- Les éléments de sous-menu, menu SOURCE apparaissent sur l'écran.



Élément de sous-menu (SOURCE)



(Menu SOURCE)

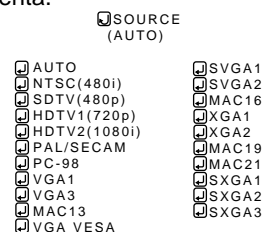
L'affichage entre parenthèse ( ) montre l'état actuel.

#### Remarques

- L'élément choisi apparaît en magenta. Les éléments apparaissant en gris ne peuvent pas être utilisés ou réglés dans le mode actuel.
- Les éléments pouvant être réglés sont différents quand des signaux vidéo sont entrés ou quand des signaux d'ordinateur sont entrés.
- Pour les sources spécialisées (fréquences correspondantes, etc.) pour les signaux d'ordinateur, voir page 19.

### 4 Choisissez l'élément à régler en utilisant les touches de curseur ▲/▼ ou ◀/▶.

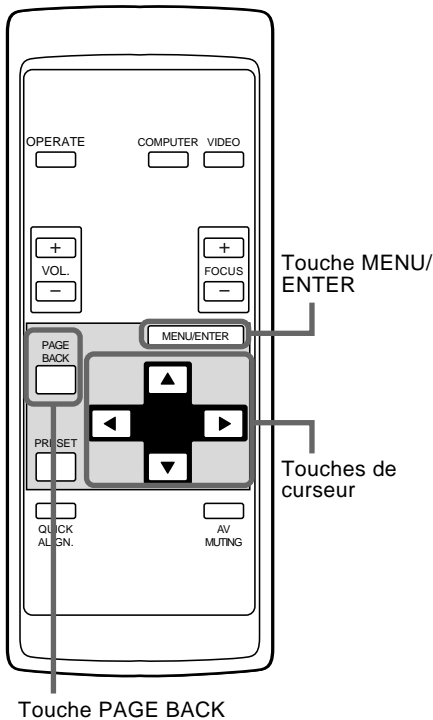
- L'élément à régler apparaît en magenta.



(Suite à la page suivante)

## Modification (réglage) de la source (suite)

### ■ Télécommande

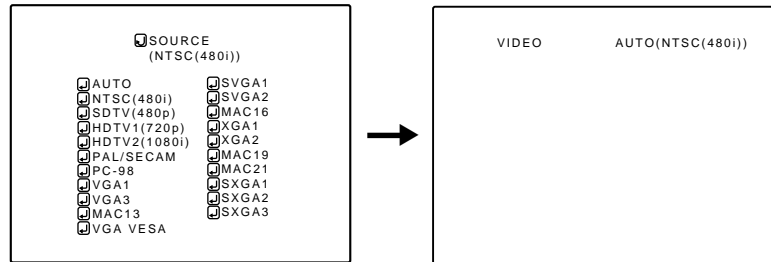


### 5 Appuyez sur la touche MENU/ENTER pour le régler (valider).

#### ■ Quand AUTO est choisi:

Le menu principal disparaît automatiquement, terminant la procédure de réglage, et l'affichage de la source d'entrée apparaît.

- L'affichage d'entrée de ligne et de la source apparaissent sur l'affichage et disparaissent après 5 secondes. Cependant, ils n'apparaissent pas si l'affichage de la ligne est réglé sur OFF.



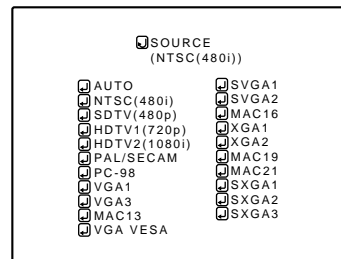
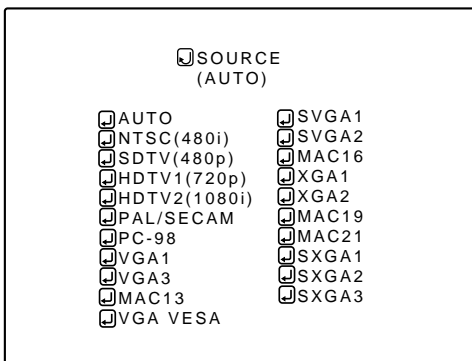
#### ■ Quand un autre réglage que AUTO est choisi:

L'élément choisi est montré entre parenthèses ( ) dessous le texte "SOURCE" en haut de l'écran, terminant la procédure de réglage.

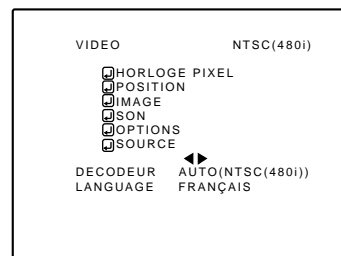
- Pour faire disparaître l'affichage du menu, appuyez deux fois sur la touche PAGE BACK (une première fois pour retourner au menu principal et une deuxième fois pour faire disparaître ce menu).

### ■ Élément de sous-menu

[Menu SOURCE]



↓ Appuyez sur la touche PAGE BACK.



↓ Appuyez sur la touche PAGE BACK.

L'affichage de menu disparaît.

#### Remarques

- L'élément choisi apparaît en magenta. Les éléments apparaissant en gris ne peuvent pas être utilisés ou réglés dans le mode actuel.
- Les éléments pouvant être réglés sont différents quand des signaux vidéo sont entrés ou quand des signaux d'ordinateur sont entrés.
- Pour les sources spécialisées (fréquences correspondantes, etc.) pour les signaux d'ordinateur, voir page 19.

# Remplacement de la lampe source de lumière

**La lampe source de lumière a une durée de vie d'environ 1000 heures.**

Quand la lampe source de lumière approche de la fin de sa durée de vie, sa dégradation s'accroît rapidement. Quand le nombre d'heures d'utilisation de la lampe dépasse 900 heures, l'indicateur LAMP du projecteur s'allume. Aussi, au début d'une projection (lampe allumée), le message "CHG-LAMPE" apparaît sur l'écran de projection pendant environ deux minutes. Remplacez alors la lampe par une neuve ou préparez-vous à la remplacer. Quand le nombre d'heures d'utilisation a atteint 1000 heures, l'indicateur LAMP du projecteur commence à clignoter et si vous appuyez sur la touche OPERATE (ou sur la touche OPERATE de la télécommande pendant plus d'une seconde), la lampe source de lumière ne s'allume pas. La période spécifiée de remplacement de la lampe est de 1000 heures, mais selon les conditions d'utilisation, la période de remplacement peut varier. Si l'image vidéo est sombre et la teinte de ses couleurs est très unie même après un ajustement de la teinte et de la luminosité, remplacez la lampe un petit peu plus tôt.

**Achetez une nouvelle lampe source de lumière (No de référence. : BHL5001-SU) chez le revendeur autorisé JVC où vous avez acheté le projecteur ou consultez le centre de service JVC le plus proche.**

## PRÉCAUTION et REMARQUES

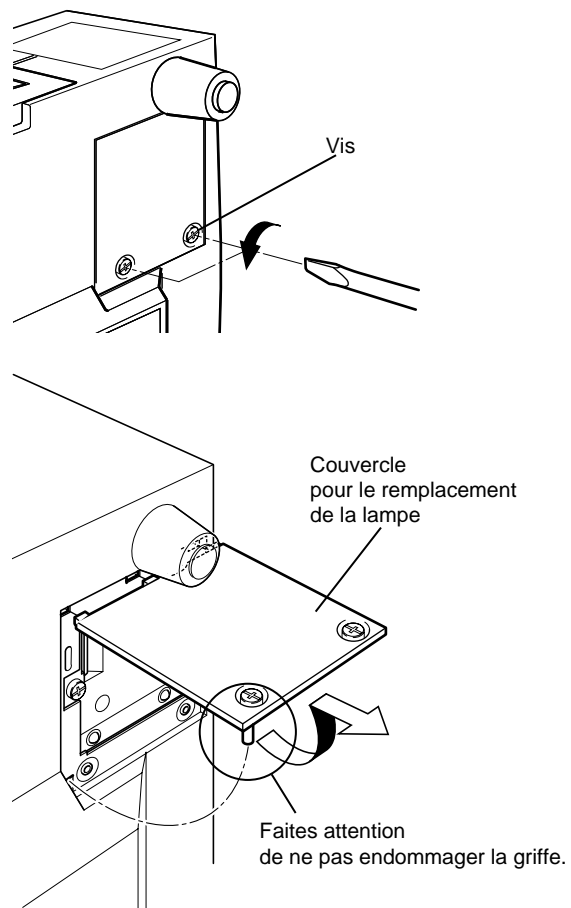
- Si le projecteur est installé dans un endroit étroit qui ne permet pas de travailler et si vous réalisez le remplacement là, vous pourriez vous blesser. Déplacez le projecteur dans un endroit avec suffisamment de place pour travailler et remplacez la lampe.
- Utilisez une pièce garantie d'origine pour la lampe source de lumière. Si vous utilisez une autre lampe, cela pourrait causer un mauvais fonctionnement. De plus, n'utilisez jamais une vieille lampe source de lumière. Une vieille lampe pourrait causer des dégradations remarquables dans les performances ou exploser, endommageant éventuellement le projecteur. De plus, les pièces cassées pourraient sortir du projecteur et vous blesser quand vous remplacez la lampe source de lumière.
- Ne remplacez pas la lampe source de lumière immédiatement après qu'il a été utilisé. La température de la lampe reste très chaude et peut causer des brûlures. Laissez refroidir pendant une période d'une heure ou plus avant de procéder au remplacement.
- Avant de commencer le remplacement, mettez l'appareil hors tension à l'aide de l'interrupteur MAIN POWER (voir page 26), et déconnectez le cordon d'alimentation de la prise secteur murale. Si vous réalisez le remplacement avec le cordon d'alimentation connecté, vous pourriez être blessé ou électrocuté.
- Ne jetez jamais la vieille lampe source de lumière (lampe usée) directement. Sinon, cela pourrait entraîner un grand danger. La lampe contient du gaz xénon, qui est sous haute pression. Si le gaz n'est pas retiré, il peut causer l'explosion de la lampe. Pour la manipulation des lampes usées, référez-vous au manuel fourni avec la nouvelle lampe de remplacement que vous avez achetée. Si vous avez des questions, consultez le revendeur autorisé JVC où vous avez acheté la lampe de remplacement ou le centre de service JVC le plus proche.

## 1 Retirez le couvercle de l'ouverture pour le remplacement de la lampe en desserrant les vis.

Dévissez les deux vis avec un tournevis plat.

### Remarque

- Les vis sont fixées de façon qu'elles ne puissent pas être enlevées du couvercle de l'ouverture de remplacement.

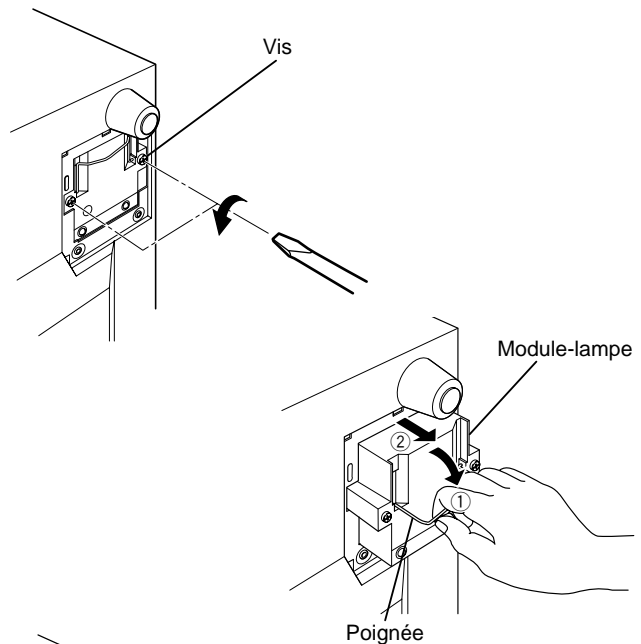


### 2 Dévissez les vis du module-lampe, soulevez la poignée et sortez le module-lampe.

Dévissez les deux vis avec un tournevis plat.

#### Remarque

- Les vis sont fixées de façon à ne pas pouvoir être séparées du module-lampe.

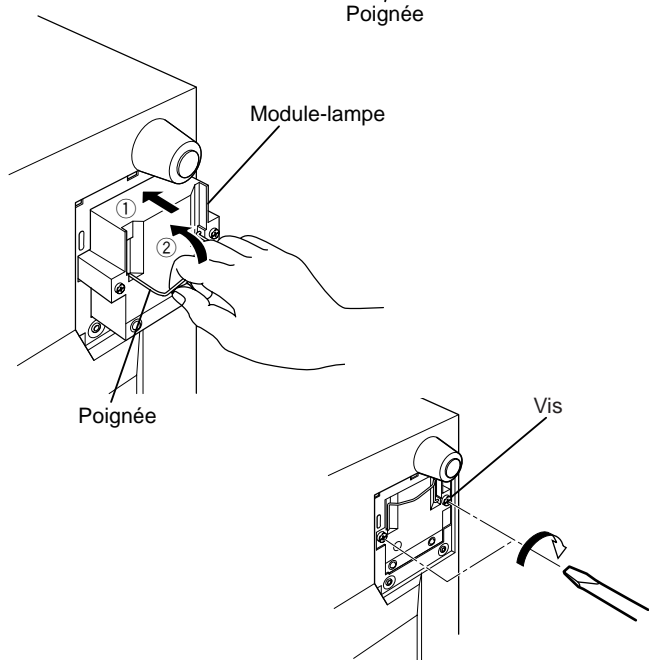


### 3 Insérez complètement la nouvelle lampe à l'intérieur et serrez les vis.

Serrez les deux vis avec un tournevis plat.

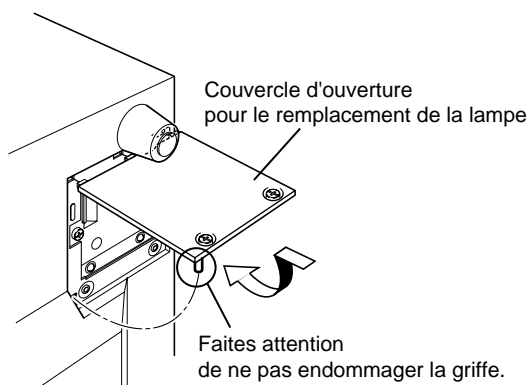
#### ATTENTION

- Ne touchez pas la surface de la lampe source de lumière directement avec vos mains et ne la tachez pas. Si vous la touchez directement, les mains nues, des taches sur vos mains peuvent adhérer à la lampe, l'empêchant éventuellement de fonctionner correctement, écourtant sa durée de vie, assombrissant l'écran, etc. Pour manipuler la nouvelle lampe source de lumière, tenez la partie en plastique. Ne touchez jamais la partie en métal ou la surface frontale en verre.



### 4 Remplacez le couvercle de l'ouverture pour le remplacement de la lampe et serrez les vis.

Serrez les deux vis avec un tournevis plat.



#### ATTENTION

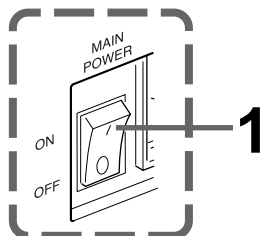
- Installez le module-lampe et fermez le couvercle de remplacement de la lampe correctement; sinon, un interrupteur de sécurité est activé empêchant le projecteur de fonctionner.
- Si la griffe sur le couvercle de remplacement de la lampe est endommagée, le projecteur peut ne pas fonctionner. Remplacez alors le couvercle de remplacement de la lampe par un nouveau
- Après le remplacement de la lampe, assurez-vous de remettre à zéro la durée d'utilisation de la lampe (voir page 50).

### Remise à zéro de la durée d'utilisation de la lampe

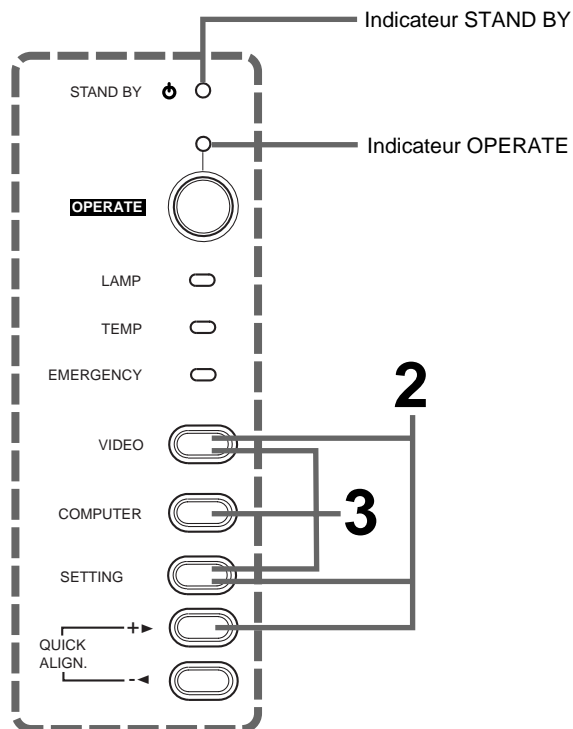
Après avoir remplacé la lampe source de lumière, remettez à zéro le compteur intérieur du projecteur. La durée d'utilisation de la lampe est réinitialisée, permettant à la durée d'utilisation de la nouvelle lampe d'être comptée.

#### ■ Touches du projecteur

[Interrupteur MAIN POWER]



[Panneau de commande]



#### 1 Mettez le projecteur en mode d'attente avec l'interrupteur MAIN POWER.

- ON [1]: Le projecteur est mis sous tension et l'indicateur STAND BY s'allume.

#### 2 Maintenez pressée "VIDEO", "SETTING" et "QUICK ALIGN. + ►" en même temps pendant six secondes ou plus.

- Les indicateurs STAND BY et OPERATE s'allument en même temps.

#### 3 Pendant que les indicateurs STAND BY et OPERATE sont allumés, appuyez sur "VIDEO", "SETTING" et "COMPUTER" en même temps.

- Les indicateurs STAND BY et OPERATE clignotent deux secondes alternativement, et après le clignotement, le projecteur retourne en mode d'attente (l'indicateur STAND BY s'allume).

- \* Cela termine la remise à zéro de la durée d'utilisation de la lampe.

#### Mémo

Pour vérifier que la durée d'utilisation de la lampe a été remise à zéro:

Vous pouvez vérifier TEMPS LAMPE dans le menu OPTIONS.

#### ATTENTION

- Après le remplacement par une nouvelle lampe, assurez-vous de remettre à zéro la durée d'utilisation de la lampe. Si la durée d'utilisation de la lampe indique 1000 heures et n'est pas remise à zéro, le projecteur ne fonctionne pas. (La lampe source de lumière ne s'allume pas.)
- Remettez à zéro la durée d'utilisation de la lampe uniquement quand vous avez remplacé la lampe par une lampe neuve. Ne remettez jamais à zéro la durée à moitié de la vie de la lampe. Sinon, vous ne pourriez plus savoir à quel moment la remplacer, les performances se dégraderaient remarquablement et la lampe risquerait d'exploser.

# Nettoyage et remplacement du filtre

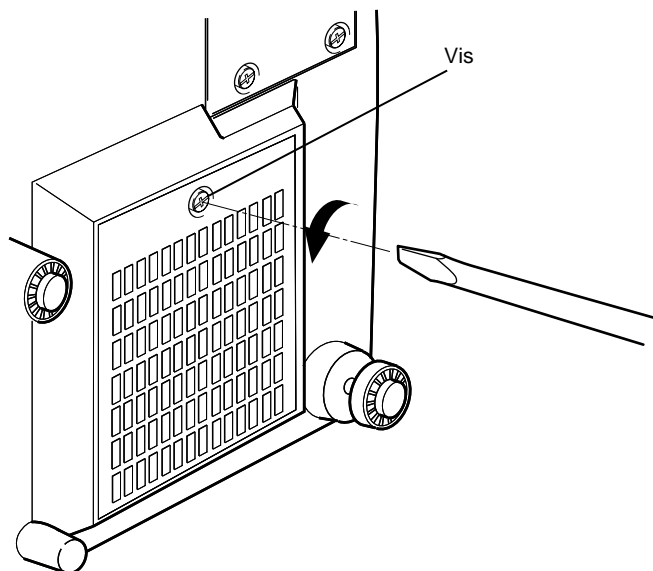
Nettoyez périodiquement le filtre. Si le filtre est très sale et ne peut pas être nettoyé, ou s'il est endommagé, remplacez-le par un filtre neuf (No de référence: LC30208). Sinon, des saletés risquent de pénétrer à l'intérieur et apparaître sur l'écran, vous empêchant de profiter pleinement de l'image vidéo. Si des saletés pénètrent à l'intérieur ou si vous avez besoin d'informations à propos de ce filtre, consultez le revendeur autorisé JVC où vous avez acheté le projecteur ou le centre de service JVC le plus proche.

## 1 Mettez l'appareil hors tension avec l'interrupteur MAIN POWER.

Après que le projecteur est mis en mode d'attente avec l'indicateur STAND BY allumé, mettez-le hors tension et débranchez le cordon d'alimentation de la prise secteur murale.

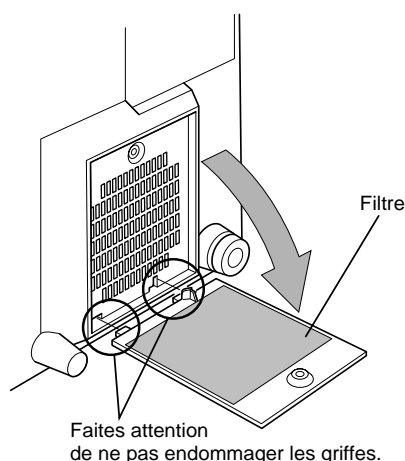
## 2 Retirez le filtre.

Dévissez la vis avec un tournevis plat.



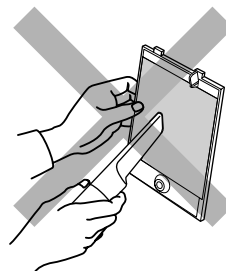
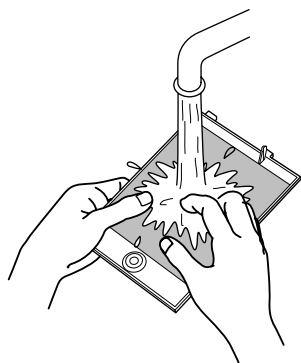
### Remarques

- Les vis sont fixées de façon à ne pas pouvoir être séparées du filtre.
- Si le filtre est bouché avec de la poussière, etc., le projecteur entre en mode d'urgence (l'indicateur EMERGENCY clignote). Alors, nettoyez le filtre périodiquement. Pour le mode d'urgence, référez-vous aux pages 9 et 25.



## 3 Nettoyez le filtre.

Nettoyez le filtre avec un détergent neutre, lavez-le à l'eau et faites le sécher à l'ombre.



## 4 Réinstallez le filtre.

Vissez les vis avec un tournevis plat.

### Remarques

- Installez le filtre correctement. Sinon, le projecteur ne fonctionnera pas. (Il entre en mode d'urgence.)
- Si les griffes du filtre sont endommagées, le projecteur peut ne pas fonctionner. Remplacez alors le filtre par un neuf.

### ATTENTION

- Mettez des gants en caoutchouc lors de l'utilisation de détergent neutre.
- Une fois que vous avez rincé le filtre à l'eau, assurez-vous qu'il est complètement sec avant de le réinstaller. Sinon, une électrocution ou un mauvais fonctionnement pourrait en résulter.
- Ne nettoyez pas le filtre avec un aspirateur. Comme le filtre est souple, il pourrait être aspiré à l'intérieur de l'aspirateur ou endommagé.

# Guide de dépannage

Les solutions aux problèmes communs relatifs à votre projecteur sont décrits ici. Si aucune des solutions présentées ici ne résout le problème, débranchez le projecteur et consultez un revendeur autorisé JVC ou un centre de service.

Symptôme	Cause probable	Correction à apporter	Page
<b>Pas d'alimentation.</b>	• Le cordon d'alimentation est-il connecté?	• Branchez fermement la fiche secteur.	24
	• L'appareil est-il sous tension?	• Mettez l'appareil sous tension.	26
	• Le couvercle de remplacement de la lampe est-il fermé correctement?	• Mettez l'appareil hors tension, fermez le couvercle de remplacement de la lampe et remettez l'appareil sous tension.	26, 48
	• Le filtre à air est-il fermé correctement?	• Mettez l'appareil hors tension, positionnez le filtre à air correctement et remettez l'appareil sous tension.	26, 51
	• La durée de vie de la lampe a-t-elle expiré? (La durée d'utilisation de la lampe a-t-elle atteint 1000 heures?)	• Mettez l'appareil hors tension, remplacez la lampe source de lumière et remettez l'appareil sous tension. Remettez à zéro la durée d'utilisation de la lampe après son remplacement.	26, 48, 50
<b>Pas de lumière émise ou la luminosité est faible.</b>	• Le capuchon d'objectif est-il retiré?	• Retirez le capuchon d'objectif.	24
	• La lampe est-elle proche de la fin de sa vie?	• Vérifiez la durée d'utilisation de la lampe sur le menu et si elle est proche de la fin, préparez le remplacement ou remplacez un peu plus tôt.	43
<b>L'appareil s'arrête quelques minutes après le début de la projection.</b>	• La zone d'entrée ou de sortie d'air est-elle bloquée?	• Mettez l'appareil hors tension, retirez les objets bloquants et remettez l'appareil sous tension.	6, 8, 15, 26
<b>L'image vidéo n'apparaît pas ou aucun son ne sort.</b>	• L'entrée correcte est-elle choisie?	• Choisissez les entrées correctes avec les touches VIDEO et COMPUTER.	27
	• Les appareils extérieurs sont-ils connectés correctement?	• Connectez les appareils extérieurs correctement.	19
	• L'appareil connecté envoie-t-il des signaux?	• Réglez les appareils extérieurs correctement.	—
	• Les signaux d'entrée sont-ils appropriés (fréquence de balayage, etc.)?	• Vérifiez qu'un signal correct est entré (fréquence de balayage, etc.). Entrez un signal correct.	19
	• Le réglage de la source est-il correct? Une mauvaise source (mode forcé) n'est-elle pas choisie?	• Réglez le réglage de source sur AUTO ou sur la source spécialisée correcte (mode forcé).	46, 47
	• La luminosité est-elle bien ajustée?	• Ajustez la luminosité sur le menu.	39
	• Le volume est-il au minimum?	• Ajustez le volume avec les touches VOL. (+/-) de la télécommande.	28
	• L'audio et la vidéo ont-ils été coupés en appuyant sur la touche AV MUTING de la télécommande?	• Appuyez sur la touche AV MUTING pour rétablir l'image vidéo et le son.	29
<b>L'image vidéo est sombre.</b>	• La mise au point est-elle bien ajustée?	• Faites la mise au point avec les touches FOCUS (+/-) de la télécommande.	28, 31
	• La distance est-elle trop courte ou longue?	• Réglez le projecteur sur la distance correcte.	16, 17
	• TRACK et PHASE sont-ils ajustés correctement?	• Ajustez TRACK et PHASE sur le menu.	31, 37
<b>Les couleurs sont mauvaises ou instables.</b>	• La qualité de l'image (densité de couleur, etc.) est-elle bien ajustée?	• Ajustez la qualité de l'image sur le menu.	39
	• Le système de diffusion (système de couleur) choisi est-il correct?	• Réglez le système de diffusion (système de couleur) sur AUTO.	35
	• Les signaux (fréquence de balayage, etc.) des appareils connectés sont-ils corrects?	• Vérifiez si le signal est correct (fréquence de balayage, etc.), et entrez un signal correct.	19
	• Le réglage de la source est-il correct? Une mauvaise source (mode forcé) n'est-elle pas choisie?	• Réglez le réglage de source sur AUTO. Si le problème persiste, réglez sur la source spécialisée correcte (mode forcé).	46

Symptôme	Cause probable	Correction à apporter	Page
La partie supérieure des images vidéo est courbée ou déformée.	• Quand un signal d'ordinateur est entré, le signal est-il un signal composite avec synchronisation sur (Cs) ou V?	• Entrez des signaux à synchronisation verticale (V) et horizontale (H) séparées.	12
	• Un signal avec de la gigue ou des déformations en losange est-il entré par un magnétoscope?	• Entrez un signal avec peu de gigue ou de déformation.	—
	• Le réglage de la source est-il correctement choisi? Une mauvaise source (mode forcé) est-il choisi?	• Réglez le réglage de source sur AUTO. Si le problème persiste, réglez-le sur la source spécialisée correcte (mode forcé).	46
L'image vidéo et le son sont coupés soudainement.	• L'image vidéo et le son ont-ils été coupés en appuyant sur la touche AV MUTING sur la télécommande?	• Rétablissez l'image vidéo et le son en appuyant sur la touche AV MUTING de la télécommande.	29
La télécommande ne fonctionne pas.	• Les piles sont-elles installées correctement.?	• Respectez les polarités des piles (+ à + et - à -).	14
	• Les piles sont-elles usées?	• Remplacez-les par des piles neuves.	14
	• Y a-t-il un objet gênant entre la télécommande et le capteur de télécommande?	• Retirez les objets gênants.	18
	• La distance est-elle trop grande?	• Utilisez la télécommande de plus près.	18

\* Ce projecteur est équipé d'un micro-ordinateur qui peut fonctionner anormalement à cause d'interférences provenant d'appareils extérieurs. Si cela se produit, mettez l'appareil hors tension et débranchez le cordon d'alimentation de la prise secteur mural. Puis rebranchez le cordon d'alimentation à la prise secteur et remettez l'appareil sous tension. (Pour la mise sous et hors tension, référez-vous aux pages 25 et 26.)

## Entretien

### • Taches sur le coffret

Doivent être essuyées avec un chiffon doux. Si le coffret est très sale, essuyez-le avec un chiffon humidifié avec une solution détergente neutre et bien essoré, puis essuyez bien avec un chiffon sec..

### • Comme le coffret peut être détérioré en qualité, être endommagé ou perdre sa peinture, faites attention aux points suivants:

- Ne frottez pas avec un chiffon dur.
- Ne frottez pas trop fort.
- Ne frottez pas avec un diluant ou du benzène.
- N'appliquez pas de substance volatile ou de produit insecticide sur le coffret.
- Ne laissez d'objet en caoutchouc ou en vinyle en contact prolongé avec le coffret.

### • Taches sur l'objectif

Doit être nettoyé avec un tissu ou un papier nettoyant pour objectif disponible dans le commerce (pour nettoyer les lunettes ou les appareils photos).

N'utilisez pas d'agents nettoyants liquides. Cela pourrait retirer le revêtement de surface.

Ne frottez pas ni ne frappez l'objectif car il est facile à endommager.



# Spécifications

## Système mécanique optique

- Méthode de projection Appareil 3D-ILA, 1 objectif, 3 méthodes à obturation optique des 3 couleurs primaires.
- Appareil D-ILA 0,9 pouces (env. 2,3 cm) mesuré en diagonale (1365 pixels × 1024 pixels) × 3 (Nombre total de pixels: 4 193 280)
- Objectif de projection Objectif à focale fixe de 1:1
- Taille de l'écran Env. 102 cm (40 pouces) à 508 cm (200 pouces) mesuré en diagonal (\*avec un format d'image: 4 : 3)
- Lampe source de lumière Lampe au xénon 420 W

## Système électrique

- Système de couleur NTSC, NTSC4.43, PAL, SECAM (\* commutation automatique/ manuelle)
- Résolution 1365 points × 1024 points (\*S-XGA pleine résolution, pendant une entrée RGB)  
1000 lignes de télévision (\*Résolution horizontale, Format d'image de 4 : 3, pendant une entrée vidéo)
- Fréquence de balayage Fréquence horizontale : 15 kHz ~ 82 kHz  
Fréquence verticale : 50 Hz ~ 78 Hz

## Entrée/Sortie

### [AV IN (Entrée AV)]

- Y/C 1 ligne, mini DIN 4 broches × 1  
Y (Signal de luminance) : 1V(p-p), 75Ω (sync. négative)  
C (Signal de chrominance) : 0,286V(p-p) (signal en salve), 75Ω [NTSC]  
: 0,3V(p-p) (signal en salve), 75Ω [PAL]
- VIDEO 1 ligne, BNC × 1  
Signal vidéo composite : 1V(p-p), 75Ω (sync. négative)
- Y, P<sub>B</sub>/B-Y, P<sub>R</sub>/R-Y 1 ligne, BNC × 3  
Signaux en composante (Y,B-Y,R-Y)  
Y : 1V(p-p), 75Ω (sync. négative)  
B-Y : 0,7V(p-p), 75Ω  
R-Y : 0,7V(p-p), 75Ω  
Signaux au format-DTV  
[480i (ITU-R BT. 601-4), 480p (SMPTE 293M)]  
Y : 1V(p-p), 75Ω (sync. négative)  
P<sub>B</sub>, P<sub>R</sub> : 0,7V(p-p), 75Ω  
[720p (SMPTE 296M), 1080i (SMPTE 274M)]  
Y : 1V(p-p), 75Ω (3 valeurs de synchronisation)  
P<sub>B</sub>, P<sub>R</sub> : 0,7V(p-p), 75Ω
- AUDIO L/R (pour AV IN) 1 ligne, cinch × 2  
Signal audio: 0,5V(rms), haute impédance

### [COMPUTER IN (Entrée COMPUTER)]

- COMPUTER IN-1 (PC) 1 ligne, D-sub 15 broches sur 3 rangées × 1  
Signal analogique RGB (RVB)  
R (R) : 0,7V(p-p), 75Ω  
B (B) : 0,7V(p-p), 75Ω  
G (V) : 0,7V(p-p), 75Ω  
Sync. sur V : 1V(p-p), 75Ω (sync. négative)  
Signal de synchronisation: 1V(p-p) à 5V(p-p), haute impédance (polarité positive/négative)  
\* Certains appareils connectés peuvent ne pas correspondre à la synchronisation composite (Cs) ou au signal de synchronisation sur V.
- AUDIO 1 ligne, stéréo prise mini × 1  
(Pour COMPUTER IN-1) 0,5V(rms), haute impédance
- COMPUTER IN-2 1 ligne, BNC × 5  
Signal analogique RGB (RVB)  
R (R) : 0,7V(p-p), 75Ω  
B (B) : 0,7V(p-p), 75Ω  
G (V) : 0,7V(p-p), 75Ω  
Sync sur V : 1V(p-p), 75Ω (sync. négative)

## Spécifications (suite)

### Signal de sync. horizontal/sync. composite (H/Cs)

H : 1V(p-p) à 5V(p-p), haute impédance (polarité positive/négative)

Cs : 1V(p-p) à 5V(p-p), haute impédance (polarité positive/négative)

### Signal de sync. vertical(V)

V : 1V(p-p) à 5V(p-p), haute impédance (polarité positive/négative)

\* Certains appareils connectés peuvent ne pas correspondre à la synchronisation composite (Cs) ou au signal de synchronisation sur V.

- AUDIO : 1 ligne, stéréo prise mini × 1  
(Pour COMPUTER IN-2) 0,5V(rms), haute impédance

### [COMPUTER OUT (Sortie COMPUTER)]

- COMPUTER OUT : 1 ligne, D-sub 15 broches sur 3 rangés × 1

#### Signal analogique RGB (RVB)

R (R) : 0,7V(p-p), 75Ω

B (B) : 0,7V(p-p), 75Ω

G (V) : 0,7V(p-p), 75Ω

Sync sur V : 1V(p-p), 75Ω (sync. négative)

#### Signal de sync. horizontale/sync. composite (H/Cs)

H : Niveau TTL (Polarité: même que pour l'entrée)

Cs : Niveau TTL (Polarité: même que pour l'entrée)

#### Signal de sync. verticale (V)

V : Niveau TTL (Polarité: même que pour l'entrée)

- AUDIO OUT : 1 ligne, stéréo prise mini × 1  
0V(rms) à 0,5V(rms) (sortie variable)

### [CONTROL]

- RS-232C : 1 ligne, D-sub 9 broches × 1  
\* Prise de commande à Interface RS-232C pour commander ce projecteur à partir d'un ordinateur personnel.
- REMOTE : 1 ligne, prise mini × 1  
\* Prise de commande à distance pour la connexion d'un module capteur d'infrarouge, etc.

### [Autre]

- Puissance de sortie audio (efficace) : 1 W + 1 W
- Haut-parleur intégré : 6 cm × 3 cm (2<sup>-3/8</sup> pouces × 1<sup>-1/8</sup> pouces) type ovale × 2, impédance 8Ω

## Général

- Alimentation : 120V CA, 60 Hz
- Consommation : 8 A (7 W en mode d'attente)
- Température de fonctionnement admissible : + 5°C à + 35°C (41°F à 95°F)
- Humidité relative admissible : 20% à 80% (sans condensation)
- Température de stockage admissible : - 10°C à + 60°C (14°F à 140°F)
- Dimension extérieure maximum : Env. (L)425 mm × (H)246 mm × (P)416 mm (16<sup>-3/4</sup> pouces × 9<sup>-3/8</sup> pouces × 16<sup>-3/8</sup> pouces)  
(Excluant les parties protubérantes)
- Poids : Env. 14,9 kg (32,78 livres)
- Accessoires : (Référez-vous à la page 5.)

\* La conception et les spécifications sont sujettes à changement sans notification.

\* Les appareils D-ILA sont fabriqués avec une technologie de haute précision, permettant à 99.99% des pixels d'être effectifs. Seulement 0,01% ou moins des pixels sont manquants ou toujours allumés.

\* Pour faciliter la compréhension, les images et les illustrations sont améliorées, simplifiées ou composées, et peuvent être un peu ou très différentes des produits actuels.

### \*MARQUES DE COMMERCE

IBM, IBM PC, et VGA sont des marques déposées de International Business Machines Corporation. Macintosh est une marque déposée de Apple Computer, Inc.

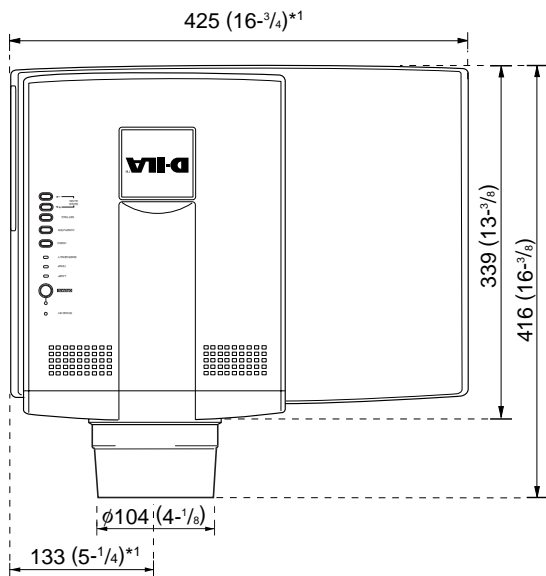
VESA est un marque de commerce d'une organisation sans but lucratif, Video Electronics Standard Association.

Tous les autres noms de produits mentionnés dans ce mode d'emploi sont utilisés dans un but d'identification uniquement et peuvent être des marques de commerce ou des marques déposées de leur compagnie respective.

## Dimensions extérieures

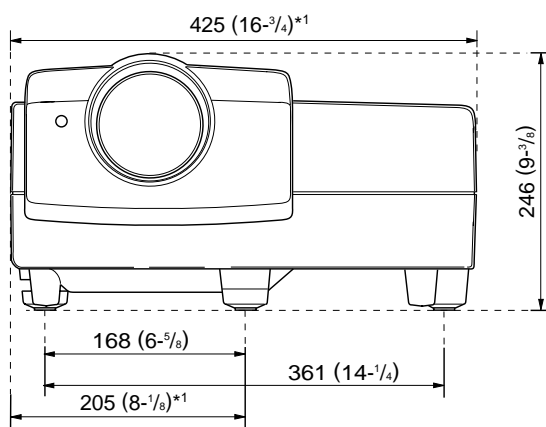
### ■ Dessus

Unité: mm (pouces)

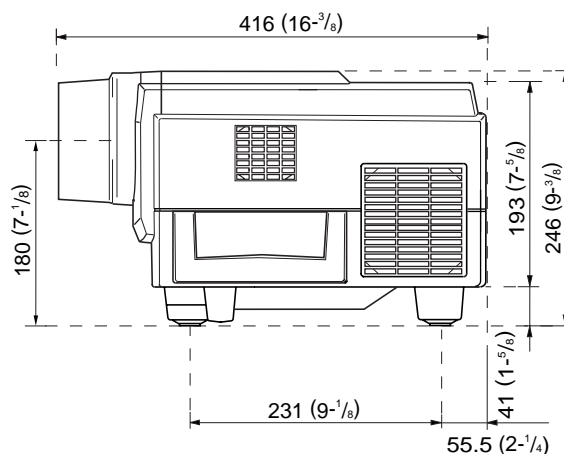


\*1: Protubérances exclues

### ■ Avant



### ■ Côté



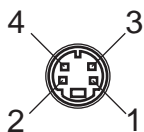
## Signaux au format-DTV

\* Le tableau suivant indique les signaux au format-DTV qui peuvent être entrés.

Formats-DTV	480i	480p	720p	1080i
Signal Standard	ITU-R BT. 601-4	SMPTE 293M	SMPTE 296M	SMPTE 274M
Ligne de balayage				
Champ de balayage	525	525	750	1125
Echantillon utile x Lignes de balayage	720 x 485	720 x 483	1280 x 720	1920 x 1080
Echantillon / Lignes totales	858	858	1650	2200
Fréquence de champ (Hz)	59,94	59,94	60/59,94	60/59,94
Fréquence de ligne (Hz)	15734	31468,5	45000/44955	33750/33716,25
Rapport d' entrelacement	0,5	1	1	0,5

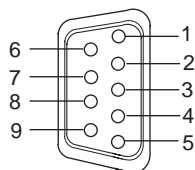
## Affectation des broches (Spécification pour les prises)

### ■ Prise Y/C



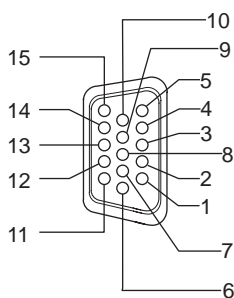
No de broche	Nom du signal
1	Masse (Y)
2	Masse (C)
3	Y
4	C

### ■ Prise RS-232C



No de broche	Nom du signal	No de broche	Nom du signal
1	NC	6	NC
2	RD	7	NC
3	TD	8	NC
4	NC	9	NC
5	Masse		

### ■ Prise COMPUTER IN-1 (PC) / COMPUTER OUT



No de broche	Nom du signal	No de broche	Nom du signal
1	Rouge	9	NC
2	Vert	10	Masse (SYNC)
3	Bleu	11	Masse
4	NC	12	NC
5	NC	13	SYNC. H
6	Masse (Rouge)	14	SYNC. V
7	Masse (Vert)	15	NC
8	Masse (Bleu)		





VICTOR COMPANY OF JAPAN, LIMITED



## Free Manuals Download Website

<http://myh66.com>

<http://usermanuals.us>

<http://www.somanuals.com>

<http://www.4manuals.cc>

<http://www.manual-lib.com>

<http://www.404manual.com>

<http://www.luxmanual.com>

<http://aubethermostatmanual.com>

Golf course search by state

<http://golfingnear.com>

Email search by domain

<http://emailbydomain.com>

Auto manuals search

<http://auto.somanuals.com>

TV manuals search

<http://tv.somanuals.com>