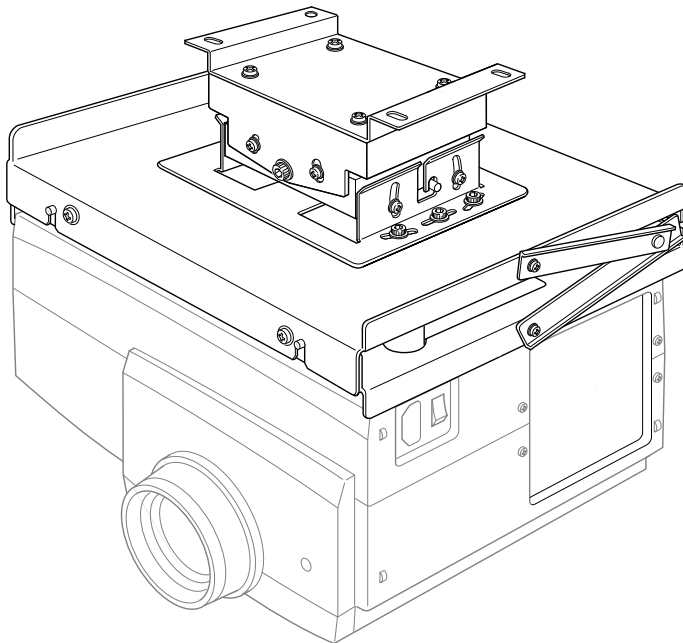




D-ILA Projector  
**DLA-G10U/E Ceiling Mount**  
Projecteur D-ILA  
**Monture au plafond pour DLA-G10U/E**

## EF-G10CG



### CONTENTS

Safety Precautions .....	2
Unit Dimensions .....	4
Names of Parts .....	5
Installation .....	6
Parts List .....	7
How to Install.....	8
How to Prevent Dropping .....	10
Installing the Ceiling Mount on the Ceiling .....	11
Mounting the Projector on the Ceiling Mount .....	12
Projection Angle Adjustments .....	13
Replacing the Lamp and Filter .....	14
Specifications .....	15

### Table des matières

Consignes de sécurité.....	16
Dimensions de l'appareil .....	18
Nom des pièces .....	19
Installation .....	20
Liste des pièces .....	21
Comment installer .....	22
Pour empêcher la chute.....	24
Installation de la monture au plafond sur le plafond.....	25
Montage du projecteur sur la monture au plafond .....	26
Réglage de l'angle de projection .....	27
Remplacement de la lampe et du filtre.....	28
Fiche technique.....	29

**When installing, also read the DLA-G10U/E instruction manual.**

Thank you for purchasing this product.

**Before using your new purchase, please read this instruction manual thoroughly. And, after reading, be sure to store this instruction manual in a safe place for future reference.**

**Pour l'installation, se reporter également au mode d'emploi du DLA-G10U/E.**

Nous vous remercions d'avoir acheté ce produit.



**Avant d'utiliser votre projecteur, veuillez lire attentivement toutes les instructions de ce manuel. Puis, après l'avoir lu, rangez-le en lieu sûr de façon à pouvoir vous y reporter.**

*Instruction Manual*  
*Mode d'emploi*

# PRECAUTIONS FOR SAFE AND PROPER USE

## Regarding Symbol Indications

Numerous symbols are employed as indication in the precautions for safety, precautions for handling, and in the indication to the products. These are designed to prevent in advance any possible infliction of injury on you and other individuals and the damage of properties through the proper use of the product. The symbols and meanings are shown below. Grasp the contents of the symbols completely before reading this manual.

	<b>WARNING</b>	This represents the contents in which the probabilities for death or serious injury are assumed if this symbol indication is ignored and the product is erroneously handled.
	<b>CAUTION</b>	This represents the contents in which the probabilities for injury to be inflicted are assumed and the contents in which material damages to be sustained are assumed if this symbol indication is ignored and the product is erroneously handled.

## Examples of Symbol Indications



This symbol informs you of the presence of the contents that demands caution (including danger and warning). Specifically prohibited contents (caution against electric shock in case of the left symbol) are illustrated in the symbol.



This symbol informs you of prohibited actions. Specifically prohibited contents (prohibition of disassembly in case of the left symbol) are illustrated in the symbol and its vicinity.



This symbol informs you of the contents that forces you to take some action or gives you some guidelines or instructions. Specific contents of instructions (unplug the power cord from the outlet in case of the left symbol) are illustrated.

## WARNING



To assure safety, special techniques are required for installation. The customer should never perform this work. Consult your dealer concerning installation.



Provide sufficient reinforcement when the ceiling on which this product will be installed is too weak. Install so as to prevent any safety related problems. If the ceiling is too weak or the installation is improperly performed, this product could possibly drop and cause injury or damage.

## CAUTION



When replacing the lamp or filter, provide a solid footing from which a comfortable posture can be adopted. Working with an unstable footing or in an uncomfortable posture can result in injury or damage. When the installation work is difficult, lower to a safe height and call a professional installer.



Never suspend or hang objects from the ceiling mount. An excessive load can cause the ceiling mount to fall and result in injury or damage.



This product is to be used only for ceiling mounting. Do not use it for any other application. And never make alterations because this can cause an accident.



Do not mount any projector other than the DLA-G10U/E on this product. This could result in an accident.



Do not install where there is danger of vibration or impact. This could cause the ceiling mount to drop and result in injury or damage.

## CAUTION



Do not install in locations subject to low or high temperatures, near a kitchen table or humidifier, or where there is oil smoke or water vapor. This can result in projector malfunction, deterioration of image quality, fire or electrical shock.

Do not install the projector in a box or other closed space where the hot air from the projector cannot be exhausted. Do not block the exhaust port of the projector. Projector overheating can result in malfunction, loss of image quality or electrical shock.

Permissible temperature range:  
5 - 35 degrees C

Permissible humidity range:  
20% - 80%, no condensation.

## HANDLING PRECAUTIONS

**Please observe the following cautions to prevent malfunction or deterioration of the product.**

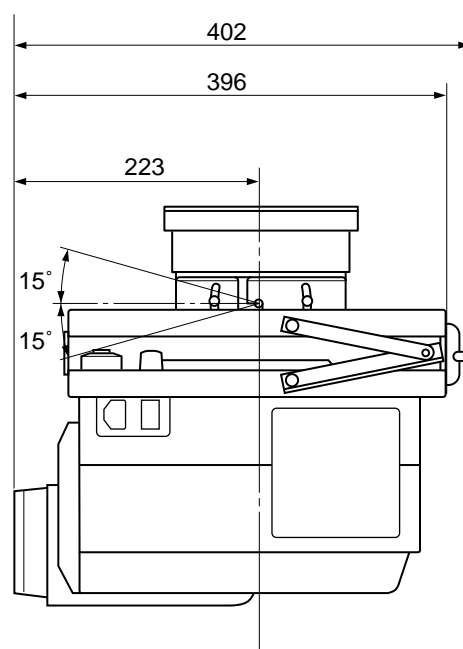
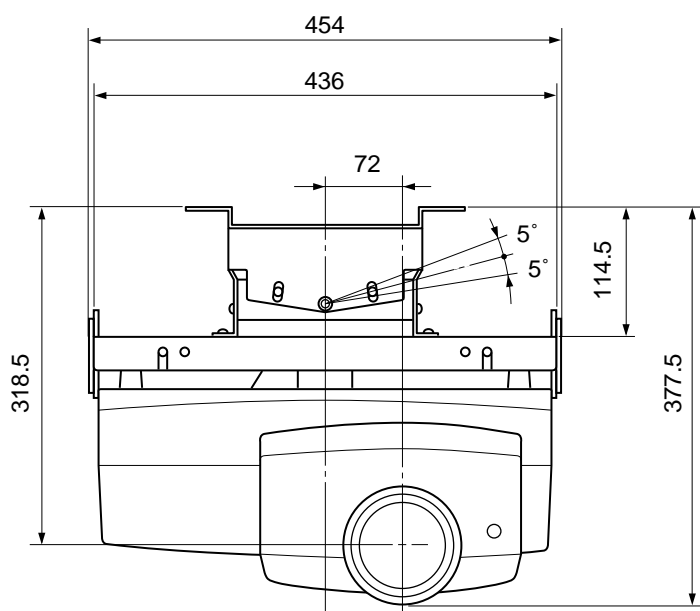
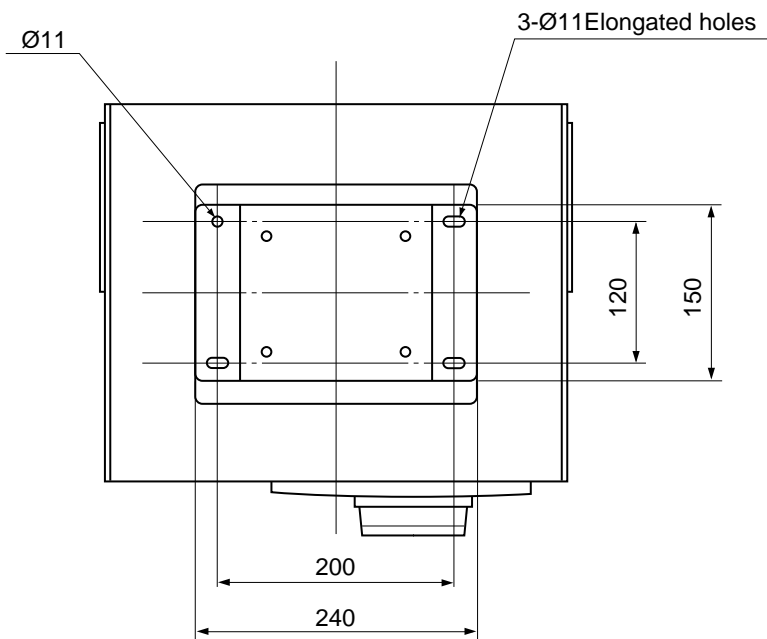
Do not install where there is danger of contact with excessive dust, oil smoke, tobacco smoke, water vapor, etc. These will adhere to the lens, liquid crystal panel, mirror, etc., and result in blurred or dark images.

Install in a room that can be darkened to prevent direct sunlight, illumination or reflected light on the screen. Such light will cause the images to appear whitish and be hard to view. Use curtains in rooms where light enters from the outside.

# UNIT DIMENSIONS

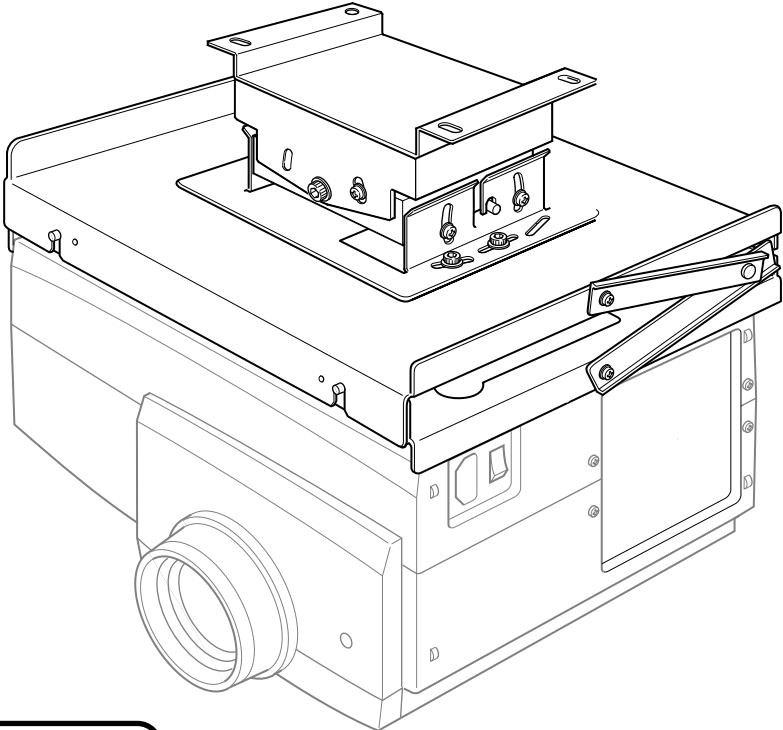
All dimensions below are given in mm.

English



**These specifications are subject to change without notice.**

**Tilt adjustment screw**



**Vertical/horizontal adjustment screws**

# INSTALLATION

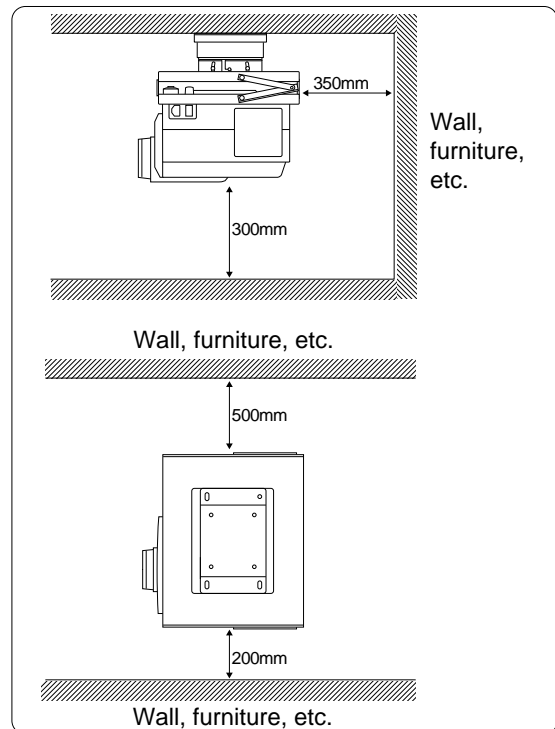
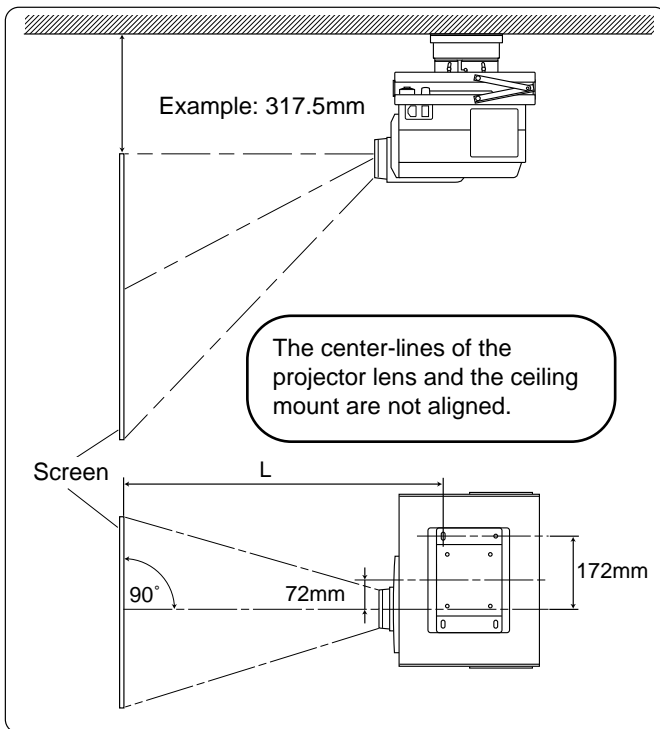
Special techniques are necessary for safe installation. The customer should never perform the installation work. Consult your dealer concerning installation.

## Projection Distance and Screen Size

- This projector uses a 1.5X zoom lens; therefore, the maximum projected image size is 1.5 times larger than the minimum projected image size.
- Focus is possible at projection distances of from 2.5m to 20m. Use the distances shown below for reference.

Screen size (type) min. - Max. (zoom)	Distance from the front screw of the ceiling mount to the screen: L (m)
41.4 ~ 61.9	2.5
170 ~ 253.9	10
341.5 ~ 509.8	20

- If the edges of images are distorted when projecting at the minimum project distance, it is recommended that the projector be moved slightly backward.
- Install the projector in a stable location away from walls and furniture for safety during light source lamp and filter replacement.



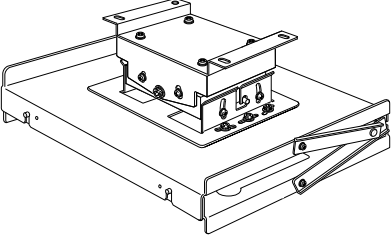
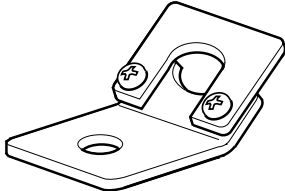
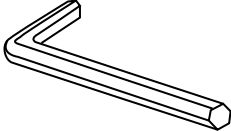
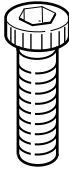


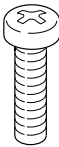


## CAUTION



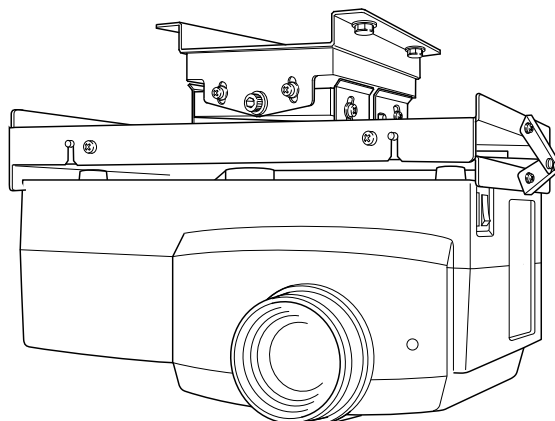
- Do not install in locations such as those shown below since this could result in malfunction or fire.
  - Box or other closed space where ventilation is not possible.
  - Places where there is oil smoke, water vapor or tobacco smoke.
  - Humid or dusty places.
  - Places where the temperature is low or high and the humidity is outside the permissible operating range.  
Permissible temperature range: 5 - 35 degrees C  
Permissible humidity range :20% - 80% (no condensation)
- Direct sunlight and indoor lighting can cause the screen to appear whitish and difficult to view. Use curtains to shut out light when necessary.
- Install the projector as level as possible; otherwise, malfunction may occur.

# PARTS LIST

● The following parts are provided as accessories with this projector. Make sure all of the parts are present before stating the installation work.

<p>1. Ceiling mount 1</p>	<p>2. Drop prevention fixture 2</p>	<p>3. Hex wrench 1</p>
		
<p>4. Hex bolt 1</p>	<p>5. Flat washer 1</p>	<p>6. Spring washer 1</p>
 <p>(M5 X 8mm)</p>		
<p>7. Screw 1</p>	<p>8. Flat washer 1</p>	<p>9. Spring washer 1</p>
 <p>(M8 X 15mm)</p>		

## Completion drawing

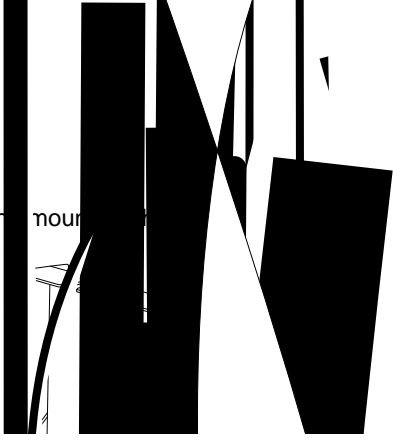






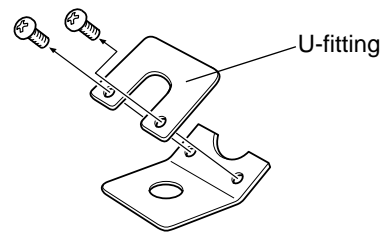
**3** Install the ceiling mount

then install the stopper

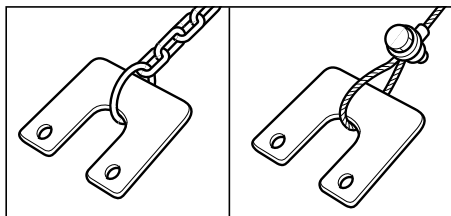


# HOW TO PREVENT DROPPING

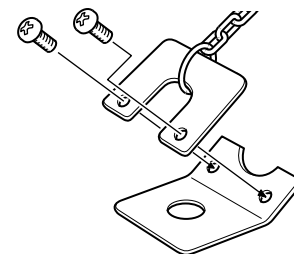
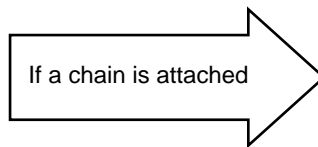
**1** Remove the U-fitting mounting screws.



**2** Attach a drop prevention chain or wire to the U-fitting and fasten firmly with a screw.



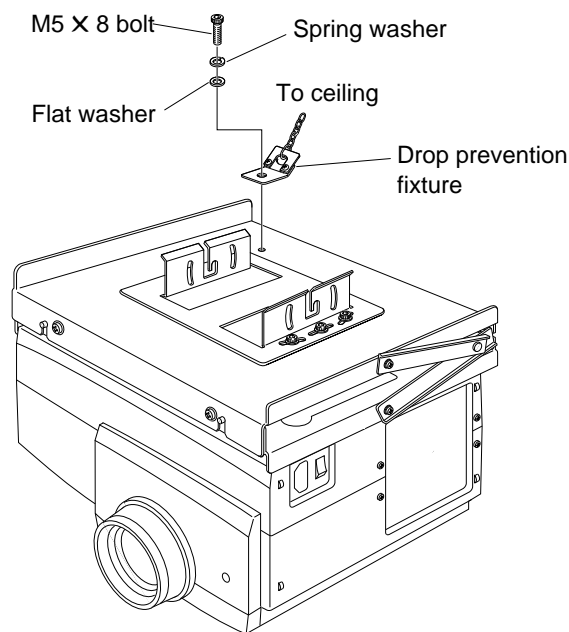
Procure a drop prevention chain or wire of sufficient strength.



**3** Mount the drop prevention fixture on the ceiling mount.

**Prepare the following accessories**

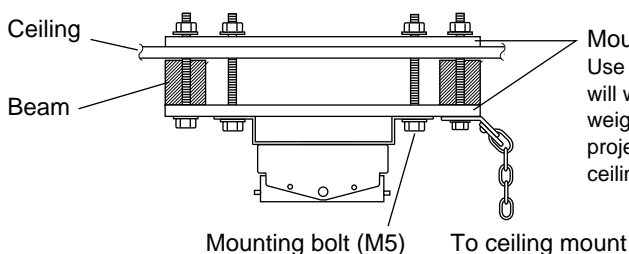
- M5 X 8 bolt (1)
- Hex wrench
- Spring washer (1)
- Flat washer (1)
- Drop prevention fixture (1)



**4** Attach the drop prevention fixture to the ceiling using the same procedure as described in items 1 - 3.

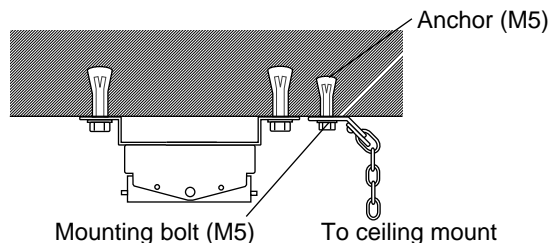
## [ Typical Installation ]

### In case of a wood ceiling



**Mounting plate**  
Use materials that will withstand the weight of the projector and the ceiling mount.

### In the case of a concrete ceiling



- ① Drill a hole through the mounting plate, beam and ceiling.
- ② Pass the mounting bolt (M5) through the hole and fasten the drop prevention fixture.

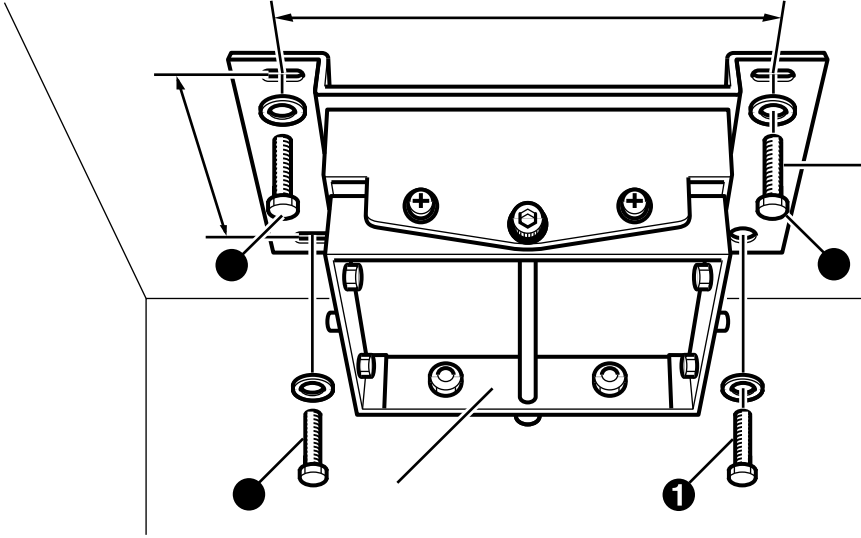
The M5 bolts for ceiling mounting are to be procured separately. Consult your dealer.

- ① Drill a hole in the ceiling and then drive in the anchor (M5).
- ② Securely fasten the drop prevention fixture with mounting bolts (M5).



## CAUTION

Be sure to mount the drop prevention fixture directly above the projector. Consult your dealer concerning the ceiling installation work.



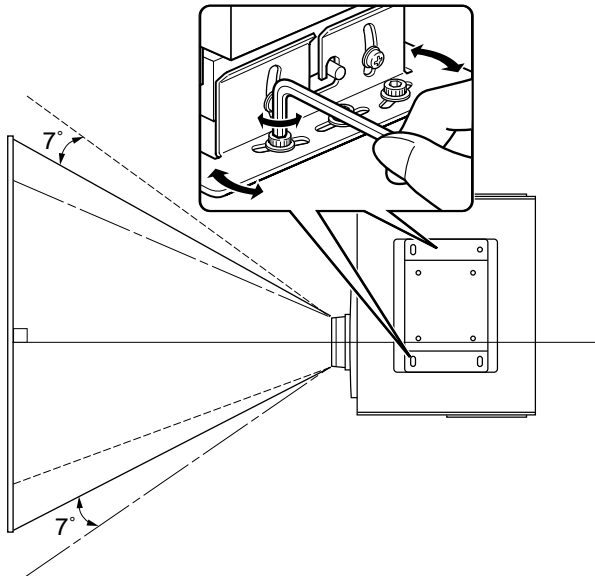


# PROJECTION ANGLE ADJUSTMENTS

## Pre-adjustment Operations

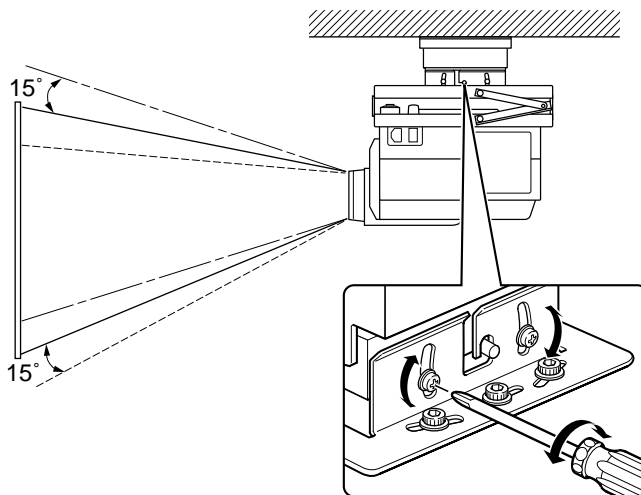
- Look at the projector instruction manual and turn on the power.
- Use the zoom lens to match the projected image size to the size of the screen.  
Perform the above operations before starting the projection angle adjustments.

### Horizontal angle adjustment (top view)



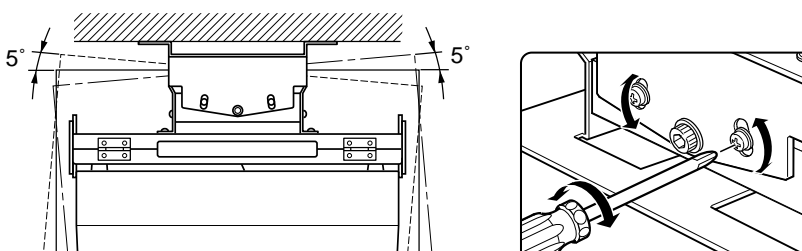
- ① Use the accessory hex wrench to loosen 6 bolts.
- ② Move the projector left and right to center the projected image horizontally on the screen.
- ③ When the angle has been correctly adjusted, fasten the projector securely by tightening the bolts.

### Vertical angle adjustment (side view)



- ④ Center the projected image on the screen vertically and then fasten the projector securely by tightening the bolts.

### Tilt angle adjustment (rear view)



- ⑤ Use the tilt adjustment screws (4 locations: 2 in front and 2 at the rear) to adjust the projector so that the projected image is not tilted in relation to the screen, then securely tighten the screws.

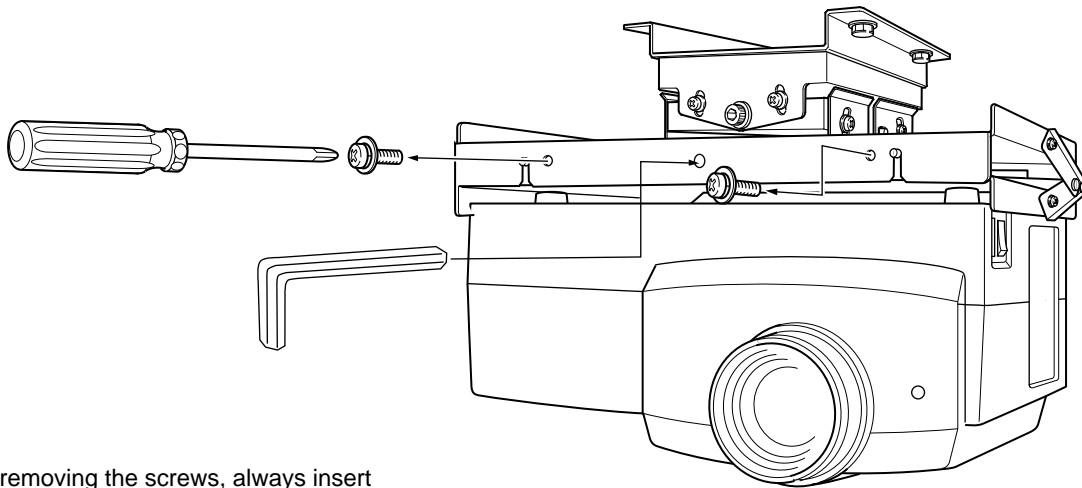
Repeat the above adjustments if the projected image is still unsatisfactory.

# REPLACING THE LAMP AND FILTER

## CAUTION

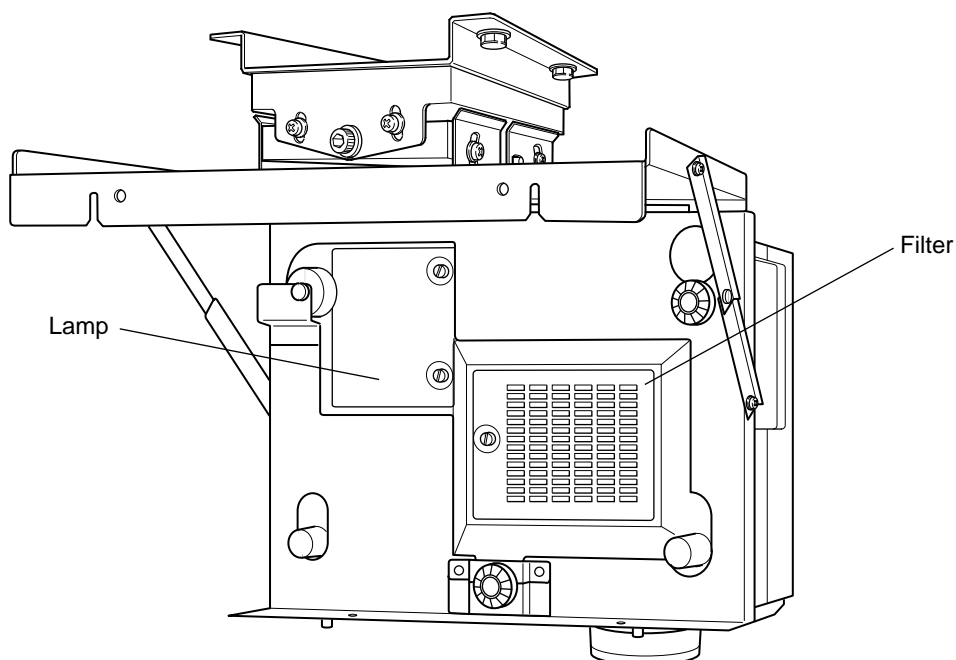
- Observe the following cautions when replacing the light source lamp or filter. Failure to do so can result in personal injury or projector damage.
- Turn off the POWER button of the remote control or OPERATE button of the projector and disconnect the power cord from the power outlet.
  - Take precautions to keep the DLG-G10U/E main unit and lens away from furniture, lamps, etc.
  - Prepare a stable place to stand where you can work comfortably. When the installation work is difficult, lower to a safe height and call a professional installer.

**1** To replace the lamp and filter, remove 2 screws while supporting the DLA-G10U/E with the hands and then lower it gently.



When removing the screws, always insert the accessory hex wrench to prevent the projector dropping suddenly.

**2** Replace the lamp and filter. (Replace in accordance with the instructions given in the DLA-G10U/E instruction manual.)



# SPECIFICATIONS

---

Part name : Ceiling mount  
Model : EF-G10CG  
Application : Ceiling mounting the DLA-G10U/E projector  
Applicable projector : DLA-G10U/E only  
Vertical tilt range : +/-15 degrees  
Horizontal tilt range : +/-5 degrees  
Horizontal pan range : +/-7 degrees  
Fixture Mass : 6.2kg  
Fixture size : 454mm (W) x 359mm (D) x 176mm (H)  
Mass with projector mounted : 20.5kg  
External dimensions with projector mounted : 454mm (W) x 402mm (D) x 377.5mm (H)  
Accessories : M8 x 15 screw (1), flat washer (1)  
Spring washer (1)  
M5 x 8 hex bolt (1), flat washer (1)  
Spring washer (1)  
Drop prevention fixture (2)  
Hex wrench (1)  
Instruction manual (1)  
Service network (1)

· The specifications and appearance of this product are subject to change without notice.

## Free Manuals Download Website

<http://myh66.com>

<http://usermanuals.us>

<http://www.somanuals.com>

<http://www.4manuals.cc>

<http://www.manual-lib.com>

<http://www.404manual.com>

<http://www.luxmanual.com>

<http://aubethermostatmanual.com>

Golf course search by state

<http://golfingnear.com>

Email search by domain

<http://emailbydomain.com>

Auto manuals search

<http://auto.somanuals.com>

TV manuals search

<http://tv.somanuals.com>