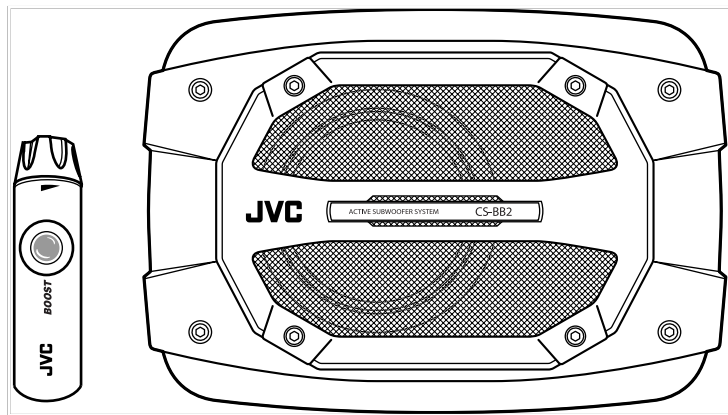


# JVC CS-BB2 ACTIVE SUBWOOFER SYSTEM: INSTRUCTIONS

LVT1544-001A  
[J/U]



Thank you for purchasing a JVC product. Please read all instructions carefully before operation, to ensure your complete understanding and to obtain the best possible performance from the unit.

#### For Customer Use:

Enter the Model No. and Serial No. which are located on the top or bottom of the cabinet. Retain this information for future reference.

Model No. \_\_\_\_\_

Serial No. \_\_\_\_\_

0106MNMDWJSC



© 2006 Victor Company of Japan, Limited

#### INFORMATION (For U.S.A.)

This equipment has been tested and found to comply with the limits for a Class B digital device, pursuant to Part 15 of the FCC Rules. These limits are designed to provide reasonable protection against harmful interference in a residential installation. This equipment generates, uses, and can radiate radio frequency energy and, if not installed and used in accordance with the instructions, may cause harmful interference to radio communications. However, there is no guarantee that interference will not occur in a particular installation. If this equipment does cause harmful interference to radio or television reception, which can be determined by turning the equipment off and on, the user is encouraged to try to correct the interference by one or more of the following measures:

- Reorient or relocate the receiving antenna.
- Increase the separation between the equipment and receiver.
- Connect the equipment into an outlet on a circuit different from that to which the receiver is connected.
- Consult the dealer or an experienced radio/TV technician for help.

#### Caution

Changes or modifications not approved by JVC could void the user's authority to operate the equipment.

#### For safety....

- Do not raise the volume level too much, as this will block outside sounds, making driving dangerous.

#### CAUTIONS AND NOTES

This unit is designed to operate on **12 V DC, NEGATIVE ground electrical systems.**

- To prevent short circuits, we recommend that you disconnect the battery's negative terminal and make all electrical connections before installing the unit.
- Cover the unused terminals with insulating tape to prevent them from short circuiting.
- When an extension lead is used, it should be as thick and short as possible; connect it firmly with insulating tape.
- Be sure to leave an appropriate space between the antenna and the wires of this unit.
- When replacing the fuse, only use a 10 A fuse.
- Do not let foreign objects get inside the unit.
- To keep the heat dissipation mechanism running effectively, wipe the accumulated dust off periodically.
- Using this subwoofer system with the volume on loud for a long period of time will exhaust the battery, while the engine is turned off or while the engine is idling.
- This unit becomes very hot. Be careful not to touch the unit not only when using but for a while after using.

*DO NOT disassemble the units since there are no user serviceable parts inside.*

#### INSTALLATION

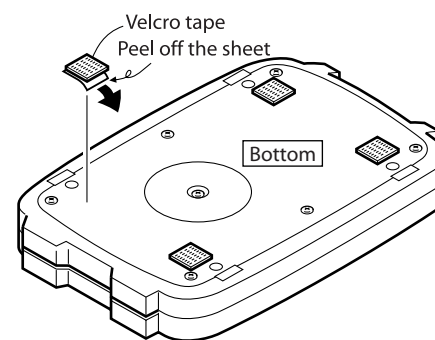
Mount this unit on a firm surface, such as on the floor.

- Since heat is generated in this unit, do not mount near flammable objects. In addition, mount in an area that will not prevent the unit from dissipating heat.
- Do not mount the unit in the places subject to heat such as near a radiator, in a glove compartment or under a car mat that will prevent the unit from dissipating heat.

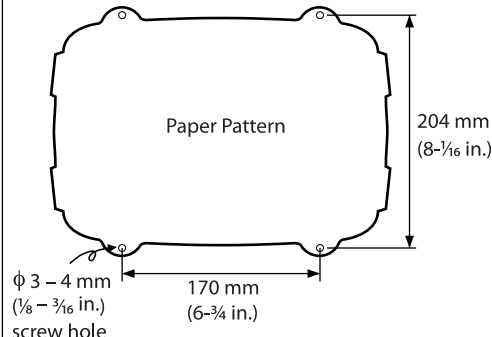
#### Cautions

- Never try to install this unit only with the velcro tape (supplied for skid-proof attachment).
- Fix it with the tapping screws (supplied) firmly.
- When mounting this unit, be sure to use the screws provided. If any other screws are used, there is a risk of loosening the unit or damaging internal parts.
  - Before drilling holes on the floor to install the unit, make sure that there is a sufficient space under the floor so that you do not drill holes in the fuel tank, etc.
- This unit generates a strong magnetic field. Never place cassette tapes or magnetic cards nearby the unit; otherwise, data recorded in those media will be erased.

#### 1 Attach the velcro tapes on the bottom as illustrated.

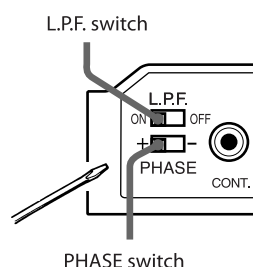


#### 2 Drill the screw holes using the supplied paper pattern.

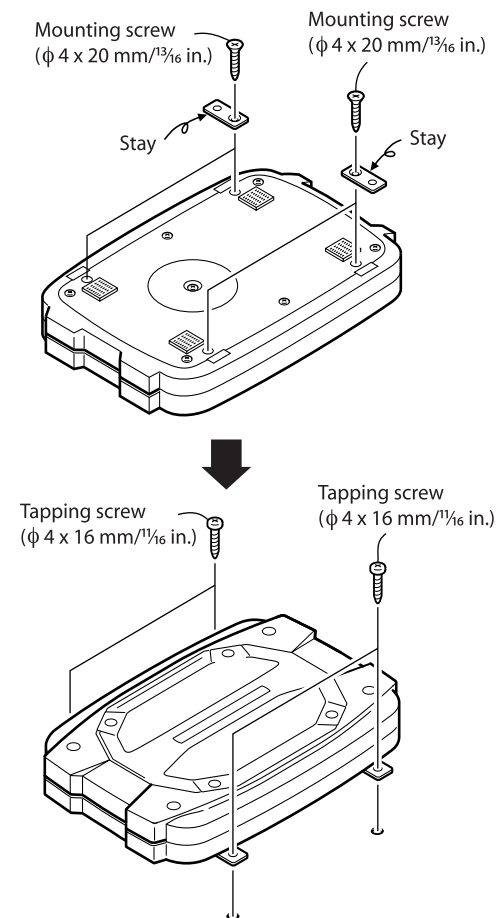


#### 3 After connections, adjust the phase and volume of this unit.

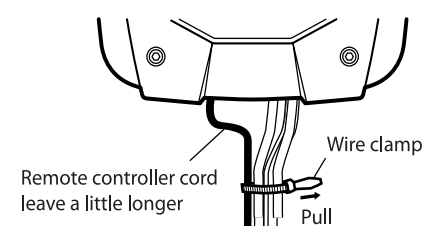
- For details, see "CONNECTIONS."



#### 4 Install this unit with the supplied screws.

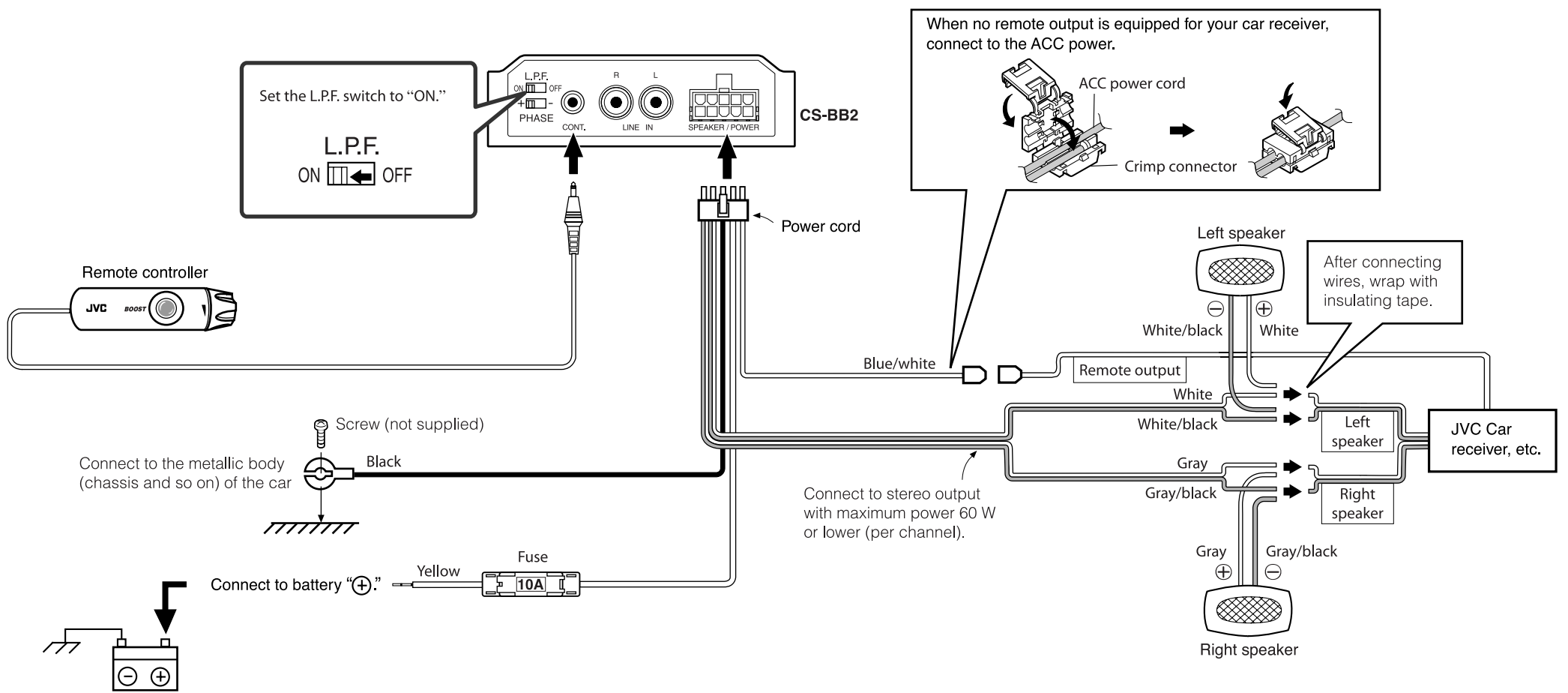


#### How to use the supplied wire clamp



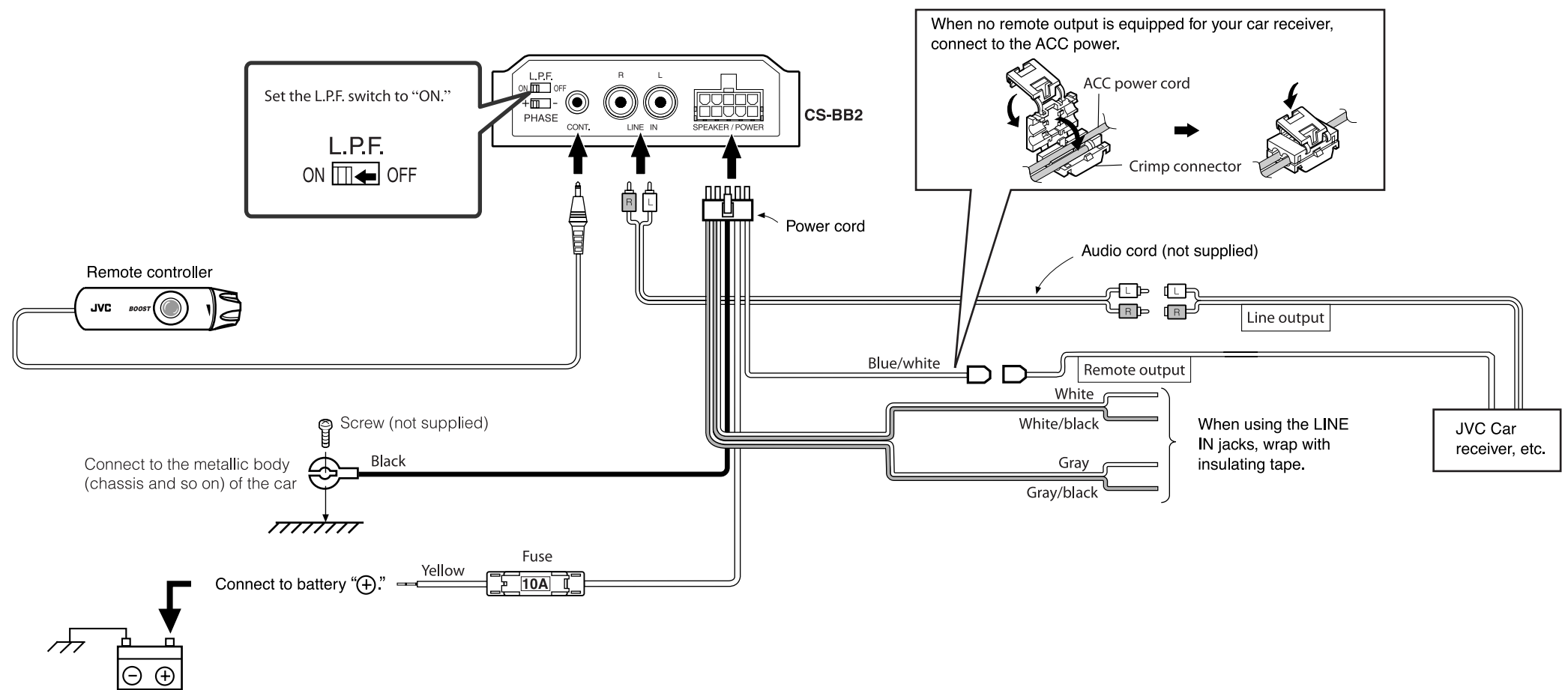
# CONNECTIONS

## When using speaker input terminal



- NOTES:**
- The volume of this unit is set to the maximum when the remote controller is not connected.
  - If your receiver is equipped with the DSP (Digital Signal Processor), connect this unit to the front speaker output of the receiver.

## When using LINE IN jacks



- NOTES:**
- The volume of this unit is set to the maximum when remote controller is not connected.
  - If your receiver is equipped with the DSP (Digital Signal Processor), connect this unit to the Front Line Output jacks of the receiver.
  - When connecting to the Line Output jacks, make sure that the output level of the receiver is 2 V or lower; otherwise, sounds will be distorted.

**Cautions**

- **Ground wire connection**

Firmly attach the ground wire to the metallic body or to the chassis of the car—to the place uncoated with paint (if coated with paint, remove the paint before attaching the wire). Failure to do so may cause damage to the unit.

- **Do not connect the power lead to any other sources than the battery.**

- **Do not cut off the fuse; otherwise, it may be short-circuited, and cause a fire.**

- **Do not connect the blue with white stripes to any other wire than the remote out (DC 12 V) and ACC power.**

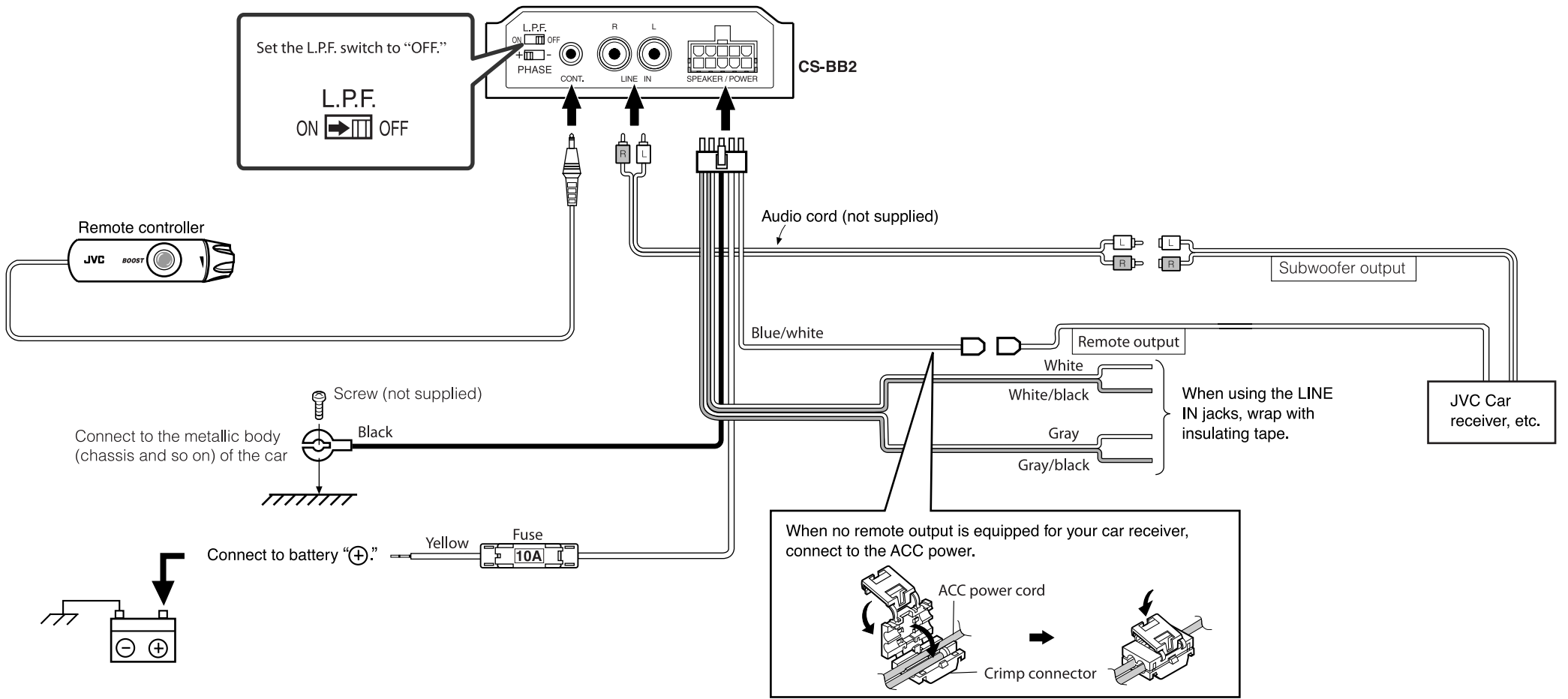
**After connection, reconnect the battery negative terminal and make sure stop lamps and others can operate normally.**

# CONNECTIONS

## When connecting to subwoofer output

Set the subwoofer output level to the maximum on your car receiver.

- Use the supplied remote controller to adjust the volume. (When sound is distorted, lower the subwoofer output level on your car receiver.)



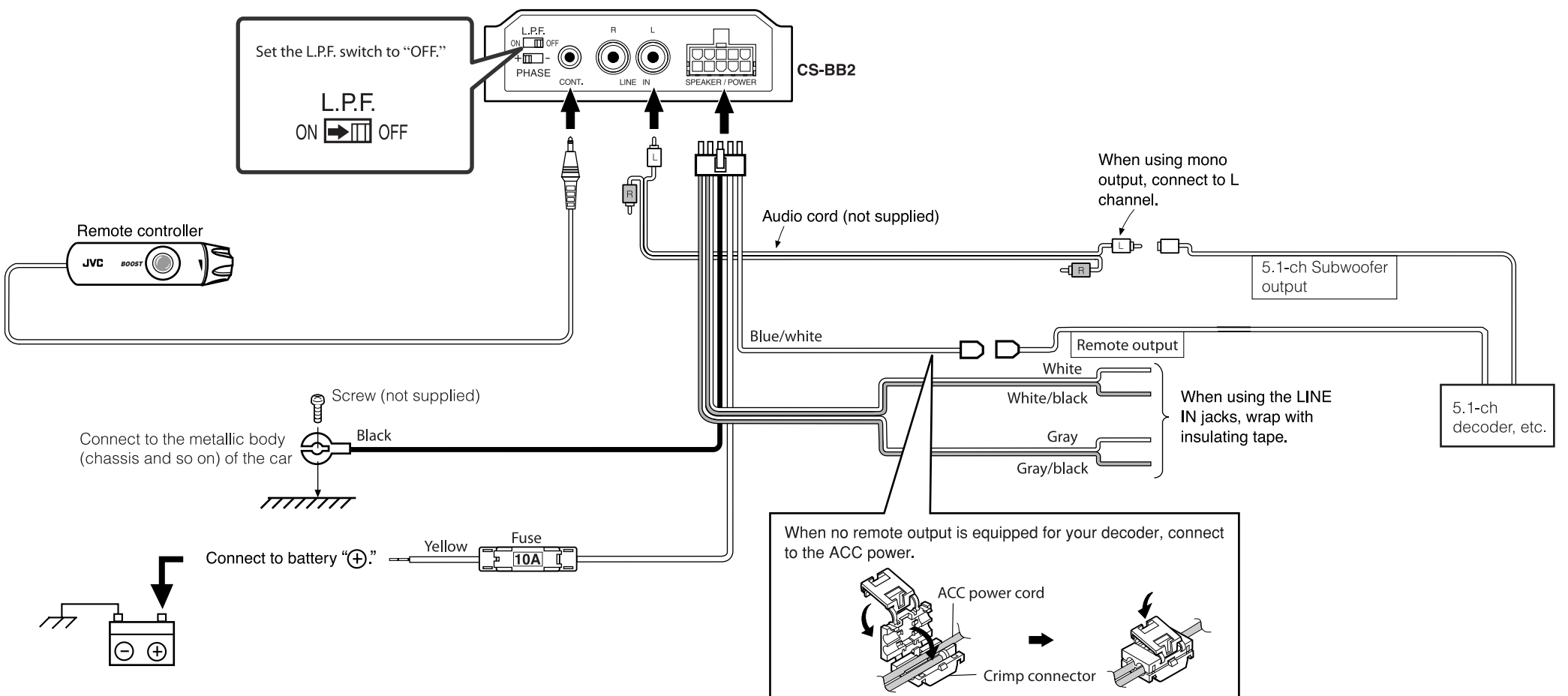
### NOTES:

- When connecting to the Subwoofer Output jacks, make sure that the output level of the receiver is 2 V or lower; otherwise, sounds will be distorted.
- The volume of this unit is set to the maximum when remote controller is not connected. Adjust the subwoofer output level on your car receiver.

## When connecting to 5.1 channel subwoofer output

Set the subwoofer output level to the maximum on your decoder.

- Use the supplied remote controller to adjust the volume.



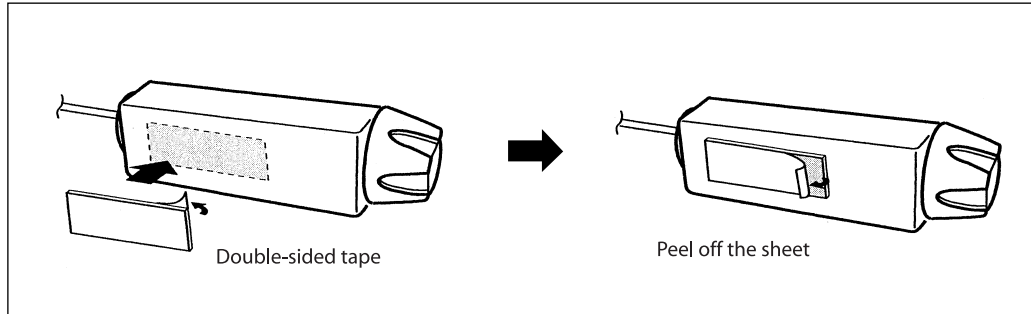
### NOTES:

- When connecting to the 5.1-ch Subwoofer output jacks, make sure that the output level of the decoder is 2 V or lower; otherwise, sounds will be distorted.
- The volume of this unit is set to the maximum when remote controller is not connected. Adjust the subwoofer output level on your car decoder.

## OPERATIONS

### Attaching the remote controller

- Do not place the remote controller where it will be exposed to direct sunlight.



### Cautions

- When using this unit, deactivate all sound adjustment functions except volume level; otherwise, sound may be distorted.

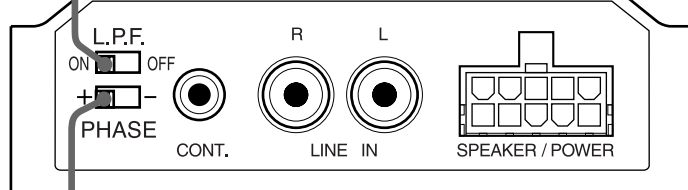
## PHASE AND SOUND ADJUSTMENT

Use a CD with rich bass sound to test and adjust phase and sound.

### Main Unit

#### L.P.F. (Low Pass Filter) switch

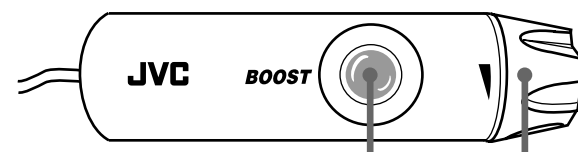
When your car receiver is equipped with Low Pass Filter, switch to "OFF."



#### PHASE switch

Switch to the position (+/-) which gives you better sound.

### Remote Controller



#### BOOST switch

Turns on and off the subwoofer output. When it is on, the lamp lights up.

#### Volume

Adjust the subwoofer output level. (Center: 0 dB)

## TROUBLESHOOTING

For more details, consult JVC IN-CAR ENTERTAINMENT car audio dealer.

### No sound is heard.

- Is the blue with white stripes connected correctly?
- Is audio cord connected to the LINE IN jacks?
- Is this subwoofer system grounded?

### Alternator noise is heard.

- Keep the power cord away from the audio cord.
- Keep the audio cord away from other electrical cables in the car.
- Confirm if the ground wire is connected securely to a metal part of the car.
- Confirm if the noise originates in the receiver.

## SPECIFICATIONS

Type	Closed Active Subwoofer (Built-in amplifier)
Speaker Unit	14 cm (5-9/16 in.) cone
Input Terminal	LINE IN (1 system), 0.19 V/25 kΩ SPEAKER (1 system), 3.7 V
Power Output	32 W RMS x 2 channels at 2 Ω and ≤ 1% THD + N
Signal-to-Noise Ratio	75 dBA (reference: 1 W into 2 Ω)

Maximum Amplifier Power Output	60 W + 60 W (Impedance 2 Ω + 2 Ω)
Cut-off Frequency	110 Hz (L.P.F. switch "ON", -12 dB/oct low pass filter)
Crossover Frequency	20 Hz to 200 Hz (L.P.F. switch "ON") 20 Hz to 500 Hz (L.P.F. switch "OFF")
Sound Pressure Level	88 dB/ m (with line input: 0.03 V)
Level Control	-50 dB to 0 dB (Center) to + 10 dB
Power Requirement	DC 14.4 V (11 V to 16 V allowance) Negative ground
Dimensions (W/H/D)	290 mm x 60.5 mm x 200 mm (11-7/16 in. x 2-7/16 in. x 7-7/8 in.)
Mass	2.1 kg (4.7lbs) (Excluding accessories)
Supplied Accessories	Remote controller (cord: 3 m/9.8 ft.) x 1 Power cord (3 m/9.8 ft.) x 1 Stay (Metal tool) x 4 Tapping screw (φ 4 x 16 mm/11/16 in.) x 4 Mounting screw (φ 4 x 20 mm/13/16 in.) x 4 Velcro tape x 4 Double-sided tape x 1 Crimp connector x 1 Wire clamp x 1

Design and specifications are subject to change without notice.

## Free Manuals Download Website

<http://myh66.com>

<http://usermanuals.us>

<http://www.somanuals.com>

<http://www.4manuals.cc>

<http://www.manual-lib.com>

<http://www.404manual.com>

<http://www.luxmanual.com>

<http://aubethermostatmanual.com>

Golf course search by state

<http://golfingnear.com>

Email search by domain

<http://emailbydomain.com>

Auto manuals search

<http://auto.somanuals.com>

TV manuals search

<http://tv.somanuals.com>