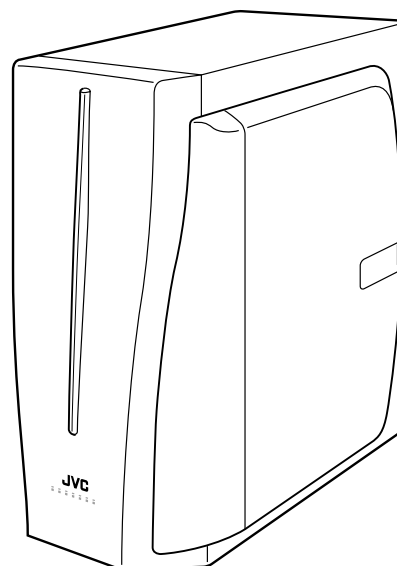


JVC

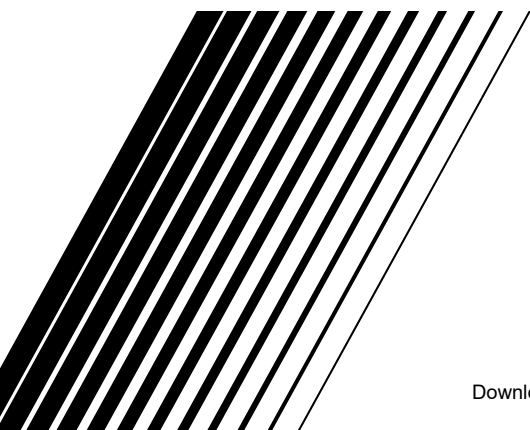


POWERED SUBWOOFER

SP-DWF31



INSTRUCTIONS



LVT1305-001A
[B]

— SAFETY INSTRUCTIONS —

“SOME DOS AND DON'TS ON THE SAFE USE OF EQUIPMENT”

This equipment has been designed and manufactured to meet international safety standards but, like any electrical equipment, care must be taken if you are to obtain the best results and safety is to be assured.

IMPORTANT for the U.K.

DO NOT cut off the mains plug from this equipment. If the plug fitted is not suitable for the power points in your home or the cable is too short to reach a power point, then obtain an appropriate safety approved extension lead or consult your dealer.

BE SURE to replace the fuse only with an identical approved type, as originally fitted.

If nonetheless the mains plug is cut off ensure to remove the fuse and dispose of the plug immediately, to avoid a possible shock hazard by inadvertent connection to the mains supply.

If this product is not supplied fitted with a mains plug then follow the instructions given below:

IMPORTANT:

DO NOT make any connection to the terminal which is marked with the letter E or by the safety earth symbol or coloured green or green-and-yellow.

The wires in the mains lead on this product are coloured in accordance with the following code:

Blue : Neutral

Brown : Live

As these colours may not correspond with the coloured markings identifying the terminals in your plug proceed as follows:

The wire which is coloured blue must be connected to the terminal which is marked with the letter N or coloured black.

The wire which is coloured brown must be connected to the terminal which is marked with the letter L or coloured red.

IF IN DOUBT - CONSULT A COMPETENT ELECTRICIAN.

Do read the operating instructions before you attempt to use the equipment.

Do ensure that all electrical connections (including the mains plug, extension leads and interconnections between pieces of equipment) are properly made and in accordance with the manufacturer's instructions. Switch off and withdraw the mains plug when making or changing connections.

Do consult your dealer if you are ever in doubt about the installation, operation or safety of your equipment.

Do be careful with glass panels or doors on equipment.

DON'T continue to operate the equipment if you are in any doubt about it working normally, or if it is damaged in any way—switch off, withdraw the mains plug and consult your dealer.

DON'T remove any fixed cover as this may expose dangerous voltages. **DON'T** leave equipment switched on when it is unattended unless it is specifically stated that it is designed for unattended operation or has a standby mode.

Switch off using the switch on the equipment and make sure that your family know how to do this.

Special arrangements may need to be made for infirm or handicapped people.

DON'T use equipment such as personal stereos or radios so that you are distracted from the requirements of traffic safety. It is illegal to watch television whilst driving.

DON'T listen to headphones at high volume as such use can permanently damage your hearing.

DON'T obstruct the ventilation of the equipment, for example with curtains or soft furnishing.

Overheating will cause damage and shorten the life of the equipment.

DON'T use makeshift stands and **NEVER** fix legs with wood screws—to ensure complete safety always fit the manufacturer's approved stand or legs with the fixings provided according to the instructions.

DON'T allow electrical equipment to be exposed to rain or moisture.

ABOVE ALL.

- **NEVER** let anyone, especially children, push anything into holes, slots or any other opening in the case—this could result in a fatal electrical shock.
- **NEVER** guess or take chances with electrical equipment of any kind—it is better to be safe than sorry!

Thank you for purchasing a JVC speaker.

Before you begin using it, please read the instructions carefully to be sure you get the best possible performance. If you have any questions, consult your JVC dealer.

Warnings, Cautions and Others

To reduce the risk of electrical shocks, fire, etc.:

1. Do not remove screws, covers or cabinet.
2. Do not expose this appliance to rain or moisture.

■ Caution—POWER switch

This apparatus is provided with the POWER switch to minimize power consumption for safe use. Therefore,

1. Before doing initial settings, complete all the connections required, connect the mains plug into the wall outlet, then set the POWER switch to ON position.
2. When not in use, set the POWER switch to OFF position. This disconnects the mains line.

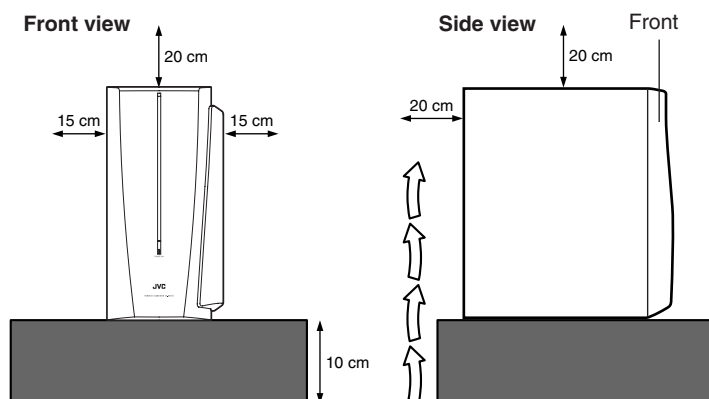
■ Cautions

- Do not block the ventilation openings or holes. (If the ventilation openings or holes are blocked by a newspaper or cloth, etc., the heat may not be able to get out.)
- Do not place any naked flame sources, such as lighted candles, on the apparatus.
- When discarding batteries, environmental problems must be considered and local rules or laws governing the disposal of these batteries must be followed strictly.
- Do not expose this apparatus to rain, moisture, dripping or splashing and that no objects filled with liquids, such as vases, shall be placed on the apparatus.

■ Caution—Proper Ventilation

To avoid risk of electric shock and fire, and to prevent damage, locate the apparatus as follows:

- 1 Front:
No obstructions and open spacing.
- 2 Sides/ Top/ Back:
No obstructions should be placed in the areas shown by the dimensions below.
- 3 Bottom:
Place on the level surface. Maintain an adequate air path for ventilation by placing on a stand with a height of 10 cm or more.



■ Precautions for installation

- To prevent deformation or discoloration of the cabinet, do not install the unit where it is exposed to direct sunlight or high humidity, and avoid installation near air conditioning outlets.
- Speaker vibrations may cause howling. Place the unit as far away from the player as possible.
- Take the occurrence of earthquakes or other physical shocks into consideration when selecting the installation place, and secure the unit thoroughly.
- Tuner reception may become noisy or hissing if this unit is installed nearby the tuner. In this case, leave a more distance between the tuner and this unit or use an outdoor antenna for better tuner reception without interference from this unit.
- The speakers are magnetically shielded to avoid color distortions on TVs. However, if not installed properly, they may cause color distortions. So, pay attention to the following when installing the speakers.
 - When placing the speakers near a TV set, turn off the TV's main power switch or unplug it before installing the speakers. Then wait at least 30 minutes before turning on the TV's main power switch again. Some TVs may still be affected even though you have followed the above. If this happens, move the speakers away from the TV.
- When the TV screen shakes, move this unit away from the TV to find a position where the screen doesn't shake and then set the unit there.

■ Precautions for Daily Use

- **To maintain the appearance of the unit**
Wipe with a dry, soft cloth if the cabinet or control panel should become dirty. If very dirty, apply a small amount of water or neutral detergent to the cloth and wipe clean. Then wipe with a dry cloth.
- **To improve the sound field**
If the speakers are facing a solid wall or glass door, etc., it is recommended to furnish the wall with materials that absorb sounds, for example by hanging up thick curtains, to prevent reflections and standing waves.

■ Checking the Supplied Accessories

Check to be sure you have the following supplied accessories. The number in parenthesis indicates the quantity of the piece supplied.

- **Monaural audio cord (1)**

If the item mentioned above is missing, contact your dealer immediately.

Contents

Warnings, Cautions and Others	3
Connections	4
Operations	4
Additional Information	5

Connections

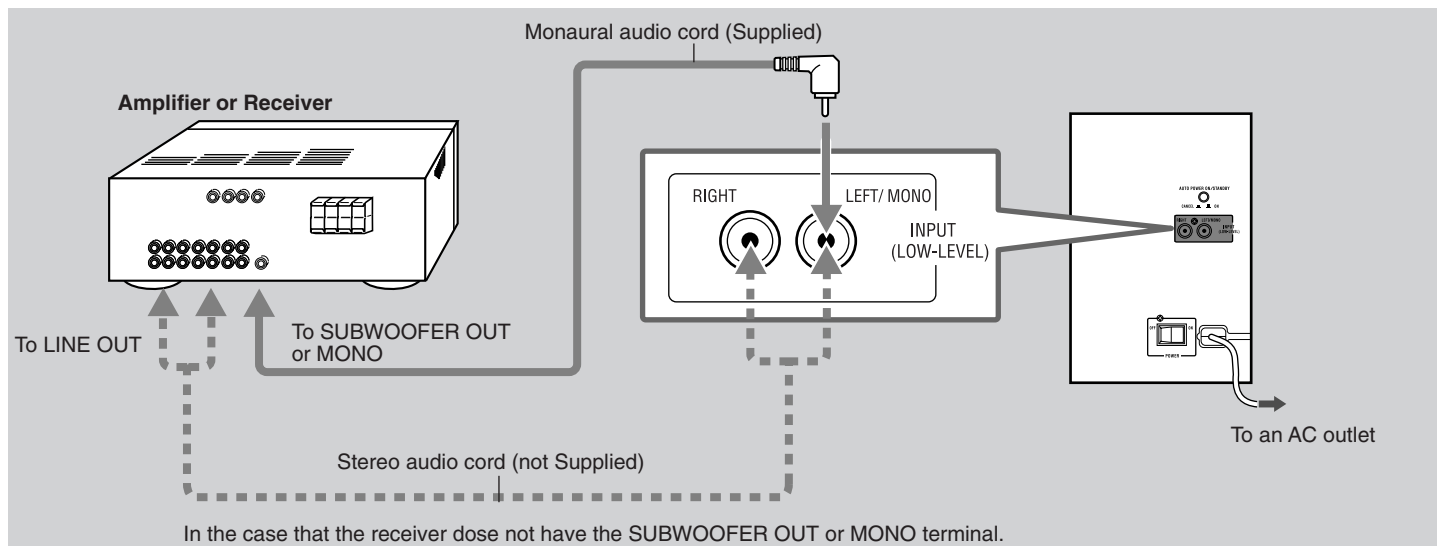
Before connecting this unit to the amplifier (or receiver), observe the following carefully.

- Turn off the amplifier.
- Make all connections before plugging in this unit.

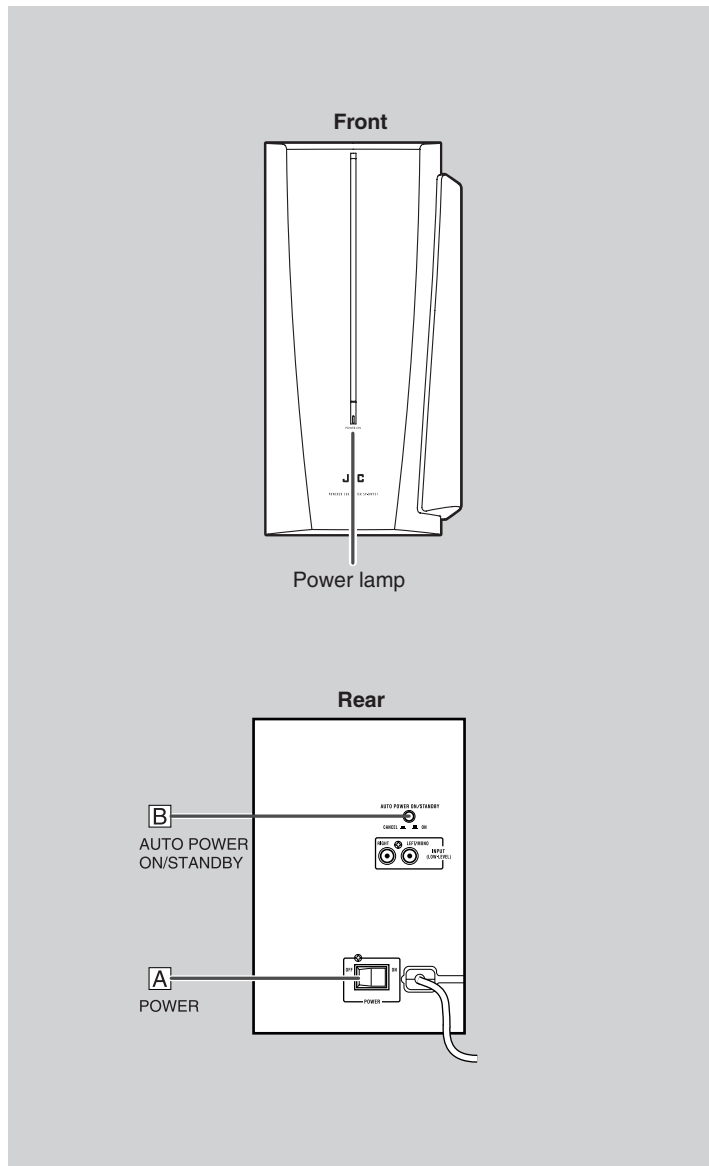


CAUTION

- DO NOT connect this unit to the REC OUT jacks of your amplifier. It may damage your subwoofer.



Operations

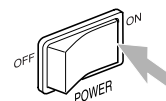


Turning On the Power—POWER [A]

To turn on the power.

Press the POWER switch to the ON position.

- The power lamp lights in green.



To cut of the power.

Press the POWER switch to the OFF position.

- The power lamp goes out.
- This will disconnect the mains lead.



Operating the Unit Automatically According to the Incoming Signals—AUTO POWER ON/STANDBY [B]

To activate AUTO POWER ON/STANDBY.

Press the AUTO POWER ON/STANDBY switch to the [ON] ON position.

- If no sound comes in for 5-10 minutes, the unit enters standby mode. The power lamp lights in red.
- If the unit detects incoming signals, the unit starts operating. The power lamp lights in green.

To cancel AUTO POWER ON/STANDBY.

Press out the AUTO POWER ON/STANDBY switch to set it to the [CANCEL] CANCEL position.



MEMO

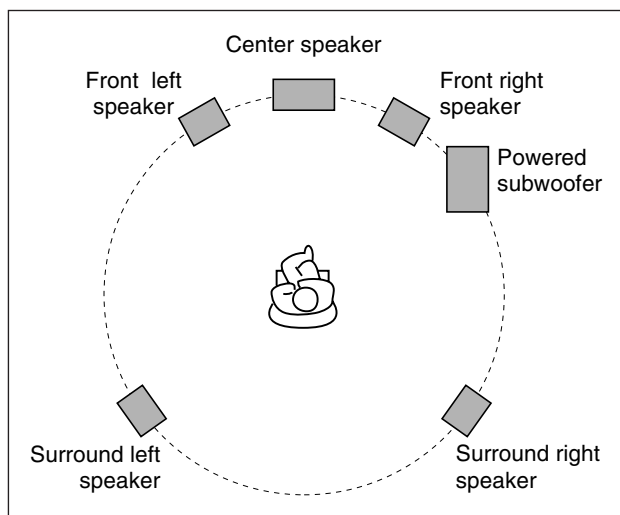
When the volume level of the amplifier is so low or the incoming signals are so weak that this unit cannot detect sounds, Auto Power On/Standby may not work correctly.

Additional Information

Speaker layout

To obtain the best possible sound from your unit:

- Place a subwoofer wherever you like since bass sound is non-directional. Normally place it in front of you.
- Place all the main speakers at the same distance from the listening position.
- Be sure to place the powered subwoofer to the TV's right. If you place the powered subwoofer to the TV's left, keep sufficient distance between them to prevent the TV from appearing mottled.



Troubleshooting

Use this chart to help you solve daily operational problems. If there is any problem you cannot solve, contact your dealer.

Power does not come on.

- Is the unit plugged in?
 - Plug the AC power cord firmly into the AC outlet.

Auto Power On/Standby does not function correctly.

- Signals are too weak or volume level is too low.
 - This is not a malfunction. If this happens, cancel Auto Power On/Standby.

No sound is heard.

- Connections are incorrect, or loose.
 - Check the connections. If incorrect, redo the connections. (See pages 4.)
- Audio signals through the amplifier are extremely weak.
 - Increase the volume level on the amplifier.

Sounds fluctuate (suddenly become loud or soft).

- The built-in protective circuit is working.
 - Lower the volume level, then turn off and on the unit.

Suddenly no sound comes out. – the power lamp still lights in green.

- The volume of the playback source is too high.
 - Turn down the volume of the playback source, turn off and on the source, then adjust the volume properly on the source.

Specifications

Type : Powered Subwoofer
 Bass-reflex type
 (magnetically shielded type)

Speaker : 16.0 cm cone × 1

Frequency Range : 32 Hz ~ 200 Hz

Impedance : 4 Ω

Input terminals : INPUT (LOW-LEVEL)

Power requirements : AC 230 V[~], 50 Hz

Output power of built-in amp : 100 W (50 Hz, 4 Ω, 10 % THD)

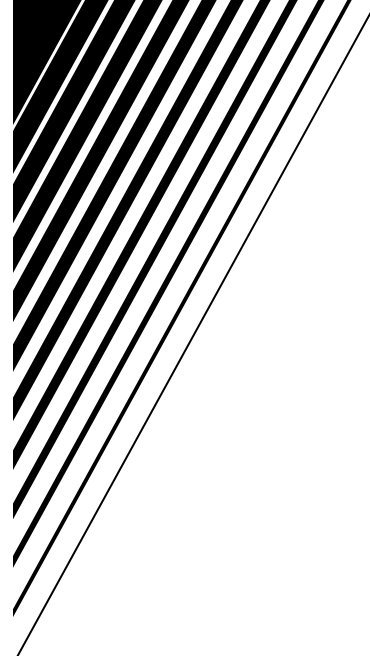
Power Handling Capacity : 27 W

Dimensions

(W × H × D) : 184 mm × 374 mm × 354 mm

Mass : 8.2 kg

Accessories : Monaural audio cord (× 1)



JVC



EN

© 2005 Victor Company of Japan, Limited

Download from www.Somanuals.com. All Manuals Search And Download.

1204NSMCREJSC

Free Manuals Download Website

<http://myh66.com>

<http://usermanuals.us>

<http://www.somanuals.com>

<http://www.4manuals.cc>

<http://www.manual-lib.com>

<http://www.404manual.com>

<http://www.luxmanual.com>

<http://aubethermostatmanual.com>

Golf course search by state

<http://golfingnear.com>

Email search by domain

<http://emailbydomain.com>

Auto manuals search

<http://auto.somanuals.com>

TV manuals search

<http://tv.somanuals.com>