

JVC

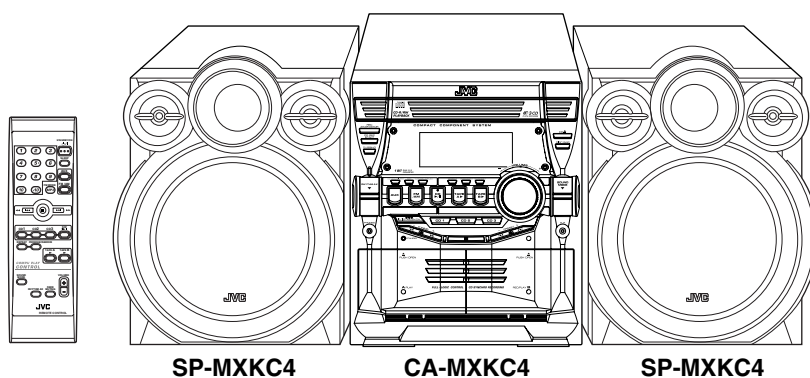
English

Français

COMPACT COMPONENT SYSTEM SYSTEME DE COMPOSANTS COMPACT

MX-KC4

Consists of CA-MXKC4 and SP-MXKC4
Se compose de CA-MXKC4 et de SP-MXKC4



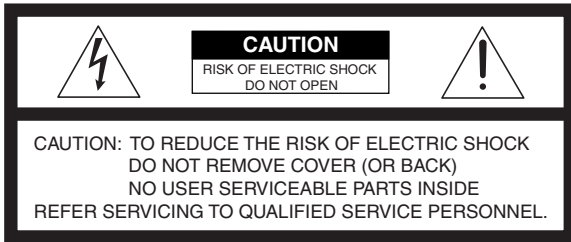
COMPACT
disc
DIGITAL AUDIO

INSTRUCTIONS
MANUEL D'INSTRUCTIONS

LVT1343-002B
[C]

Warnings, Cautions and Others / Mises en garde, précautions et indications diverses

(For U.S.A)



The lightning flash with arrowhead symbol, within an equilateral triangle is intended to alert the user to the presence of uninsulated "dangerous voltage" within the product's enclosure that may be of sufficient magnitude to constitute a risk of electric shock to persons.



The exclamation point within an equilateral triangle is intended to alert the user to the presence of important operating and maintenance (servicing) instructions in the literature accompanying the appliance.

WARNING: TO REDUCE THE RISK OF FIRE OR ELECTRIC SHOCK, DO NOT EXPOSE THIS APPLIANCE TO RAIN OR MOISTURE.

INFORMATION

This equipment has been tested and found to comply with the limits for a Class B digital device, pursuant to Part 15 of the FCC Rules. These limits are designed to provide reasonable protection against harmful interference in a residential installation. This equipment generates, uses, and can radiate radio frequency energy and, if not installed and used in accordance with the instructions, may cause harmful interference to radio communications. However, there is no guarantee that interference will not occur in a particular installation. If this equipment does cause harmful interference to radio or television reception, which can be determined by turning the equipment off and on, the user is encouraged to try to correct the interference by one or more of the following measures:

- Reorient or relocate the receiving antenna.
- Increase the separation between the equipment and receiver.
- Connect the equipment into an outlet on a circuit different from that to which the receiver is connected.
- Consult the dealer or an experienced radio/TV technician for help.

Note to CATV system installer:

This reminder is provided to call the CATV system installer's attention to section 820-40 of the NEC which provides guidelines for proper grounding and, in particular, specifies that the cable ground shall be connected to the grounding system of the building, as close to the point of cable entry as practical.

For Canada/pour le Canada

CAUTION: TO PREVENT ELECTRIC SHOCK, MATCH WIDE BLADE OF PLUG TO WIDE SLOT, FULLY INSERT.


PRECAUTION: POUR EVITER LES CHOCs ELECTRIQUES, INTRODUIRE LA LAME LA PLUS LARGE DE LA FICHE DANS LA BORNE CORRESPONDANTE DE LA PRISE ET POUSSER JUSQU'AU FOND.

For Canada/pour le Canada

THIS DIGITAL APPARATUS DOES NOT EXCEED THE CLASS B LIMITS FOR RADIO NOISE EMISSIONS FROM DIGITAL APPARATUS AS SET OUT IN THE INTERFERENCE-CAUSING EQUIPMENT STANDARD ENTITLED "DIGITAL APPARATUS," ICES-003 OF THE DEPARTMENT OF COMMUNICATIONS.

CET APPAREIL NUMERIQUE RESPECTE LES LIMITES DE BRUITS RADIOELECTRIQUES APPLICABLES AUX APPAREILS NUMERIQUES DE CLASSE B PRESCRITES DANS LA NORME SUR LE MATERIEL BROUILLEUR: "APPAREILS NUMERIQUES", NMB-003 EDICTEE PAR LE MINISTRE DES COMMUNICATIONS.


CAUTION — /I STANDBY/ON button !

Disconnect the mains plug to shut the power off completely (all lamps and indications go off). The /I STANDBY/ON button in any position does not disconnect the mains line.

- When the unit is on standby, the STANDBY lamp lights red.
- When the unit is turned on, the STANDBY lamp goes off.

The power can be remote controlled.

ATTENTION — Touche /I STANDBY/ON

Déconnectez la fiche de secteur pour mettre l'appareil complètement hors tension (tous les témoins et toutes les indications s'éteignent). La touche /I STANDBY/ON dans n'importe quelle position ne déconnecte pas l'appareil du secteur.

- Quand l'appareil est en mode d'attente, le témoin STANDBY est allumé en rouge.
- Quand l'appareil est sous tension, le témoin STANDBY s'éteint.

L'alimentation ne peut pas être commandée à distance.

IMPORTANT FOR LASER PRODUCTS

1. CLASS 1 LASER PRODUCT
2. **CAUTION:** Do not open the top cover. There are no user serviceable parts inside the Unit; leave all servicing to qualified service personnel.
3. **CAUTION:** Visible and invisible laser radiation when open and interlock failed or defeated. Avoid direct exposure to beam.
4. REPRODUCTION OF LABEL: CAUTION LABEL, PLACED INSIDE THE UNIT.

| | | | |
|--|---|--|--|
| CAUTION: Visible and invisible laser radiation when open and interlock failed or defeated. AVOID DIRECT EXPOSURE TO BEAM. | ADVARSEL: Synlig og usynlig laserstråling når maskinen er åben eller interlocken fejler. Undgå direkte eksponering til stråling. | VARNING: Synlig och osynlig laserstråling när den öppnas och spärren är urkopplad. Betrakta ej strålen. | VARO: Avattaessa ja suojalukitus ohitettuna tai viallisena olet alttiina näkyvälle ja näkymättömälle lasersäteilylle. Vältä säteen kohdistumista suoraan itseesi. (f) |
|--|---|--|--|

IMPORTANT POUR LES PRODUITS LASER

1. PRODUIT LASER CLASSE 1
2. **ATTENTION:** Radiation laser visible quand l'appareil est ouvert ou que le verrouillage est en panne ou désactivé. Eviter une exposition directe au rayon.
3. **ATTENTION:** Ne pas ouvrir le couvercle du dessus. Il n'y a aucune pièce utilisable à l'intérieur. Laisser à un personnel qualifié le soin de réparer votre appareil.
4. REPRODUCTION DES ETIQUETTES: ETIQUETTE D'AVERTISSEMENT PLACÉE À L'INTERIEUR DE L'APPAREIL

CAUTION

To reduce the risk of electrical shocks, fire, etc.:

1. Do not remove screws, covers or cabinet.
2. Do not expose this appliance to rain or moisture.
3. To prevent electric shock, match wide blade of plug to wide slot, fully insert.

CAUTION

1. Do not block the ventilation openings or holes. (If the ventilation openings or holes are blocked by a newspaper or cloth, etc., the heat may not be able to get out.)
2. Do not place any naked flame sources, such as lighted candles, on the apparatus.
3. When discarding batteries, environmental problems must be considered and local rules or laws governing the disposal of these batteries must be followed strictly.
4. Do not expose this apparatus to rain, moisture, dripping or splashing and that no objects filled with liquids, such as vases, shall be placed on the apparatus.

ATTENTION

Afin d'éviter tout risque d'électrocution, d'incendie, etc.:

1. Ne pas enlever les vis ni les panneaux et ne pas ouvrir le coffret de l'appareil.
2. Ne pas exposer l'appareil à la pluie ni à l'humidité.
3. Pour éviter tout risque d'électrocution, faites correspondre la fiche large de la prise à la fente large puis insérez-la complètement.

ATTENTION

1. Ne bloquez pas les orifices ou les trous de ventilation. (Si les orifices ou les trous de ventilation sont bloqués par un journal un tissu, etc., la chaleur peut ne pas être évacuée correctement de l'appareil.)
2. Ne placez aucune source de flamme nue, telle qu'une bougie, sur l'appareil.
3. Lors de la mise au rebut des piles, veuillez prendre en considération les problèmes de l'environnement et suivre strictement les règles et, les lois locales sur la mise au rebut des piles.
4. N'exposez pas cet appareil à la pluie, à l'humidité, à un égouttement ou à des éclaboussures et ne placez pas des objets remplis de liquide, tels qu'un vase, sur l'appareil.

Caution: Proper Ventilation

To avoid risk of electric shock and fire, and to prevent damage, locate the apparatus as follows:

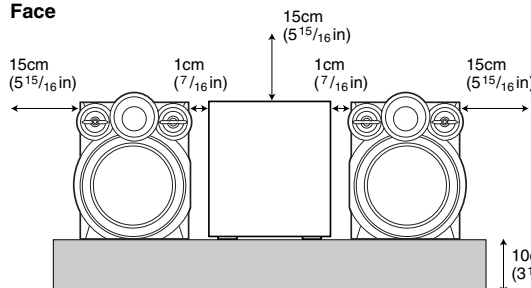
1. Front: No obstructions and open spacing.
2. Sides/ Top/ Back: No obstructions should be placed in the areas shown by the dimensions below.
3. Bottom: Place on the level surface. Maintain an adequate air path for ventilation by placing on a stand with a height of 10cm (3¹⁵/₁₆ in.) or more.

Attention: Aération correcte

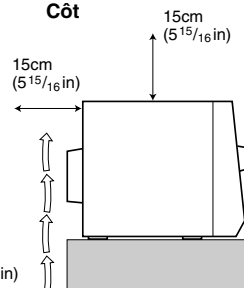
Pour prévenir tout risque de décharge électrique ou d'incendie et éviter toute détérioration, installez l'appareil de la manière suivante:

1. Avant: Bien dégagé de tout objet.
2. Côtés/dessus/dessous: Assurez-vous que rien ne bloque les espaces indiqués sur le schéma ci-dessous.
3. Dessous: Posez l'appareil sur une surface plane et horizontale. Veillez à ce que sa ventilation correcte puisse se faire en le plaçant sur un support d'au moins dix centimètres de hauteur.

Front view
Face



Side view
Côté



Introduction

Thank you for purchasing the JVC Compact Component System.
 We hope it will be a valued addition to your home, giving you years of enjoyment.
 Be sure to read this instruction manual carefully before operating your new stereo system.
 In it you will find all the information you need to set up and use the system.
 If you have a query that is not answered by the manual, please contact your dealer.

Features

Here are some of the things that make your System both powerful and simple to use.

- The controls and operations have been redesigned to make them very easy to use, freeing you to just enjoy the music.
 - With JVC's COMPU PLAY you can turn on the System and automatically start the Radio, Cassette Deck, or CD Player with a single touch.
- The great SEA (Sound Effect Amplifier) effects Rock, Pop and Classics are provided.
- The RHYTHM AX provides rich sound even at low sound levels.
- A 45-station preset capability (30 FM and 15 AM) in addition to auto-seek and manual tuning.
- CD changer function can operate 3 discs.
 - Discs can be changed during play using the Carrousel tray (rotational tray).
 - Continuous, random or program play of 3 discs.
- Two Decks enabling tape dubbing.
- Timer functions; Daily Timer, REC (Recording) Timer, and Sleep Timer.
- You can connect various external units, such as an MD recorder.
- The CD Player can play back a CD-R and CD-RW.



How This Manual Is Organized

- Basic information that is the same for many different functions - e.g. setting the volume - is given in the section "Basic Operations", and not repeated under each function.
- The names of buttons/controls and display messages are written in all capital letters: e.g. FM/AM, "NO DISC".
- If the button names on the Unit and the Remote Control are the same, the description on where the button is used will be omitted.
- System functions are written with an initial capital letter only: e.g. Normal Play.

Use the table of contents to look up specific information you require.

We have enjoyed making this manual for you, and hope it serves you in enjoying the many features built into your System.

IMPORTANT CAUTIONS

1 Installation of the System

- Select a place which is level, dry and neither too hot nor too cold. (Between 5°C and 35°C or 41°F and 95°F.)
- Leave sufficient distance between the System and a TV.
- Do not use the System in a place subject to vibrations.

2 Power cord

- Do not handle the power cord with wet hands!
- Some power is always consumed as long as the power cord is connected to the wall outlet.
- When unplugging the System from the wall outlet, always pull the plug, not the power cord.

3 Malfunctions, etc.

- There are no user serviceable parts inside. In case of system failure, unplug the power cord and consult your dealer.
- Do not insert any metallic object into the System.

Table of Contents

| | |
|---|-----------|
| Introduction | 1 |
| Features..... | 1 |
| How This Manual Is Organized..... | 1 |
| IMPORTANT CAUTIONS..... | 1 |
| Table of Contents | 2 |
| Getting Started | 3 |
| Accessories | 3 |
| How To Put Batteries In the Remote Control..... | 3 |
| Using the Remote Control | 3 |
| Connecting the FM Antenna..... | 4 |
| Connecting the AM Antenna | 5 |
| Connecting the Speakers | 5 |
| Connecting External Equipment..... | 6 |
| Connecting to the Wall Outlet..... | 6 |
| DEMO Mode | 6 |
| COMPU Play..... | 6 |
| Basic Operations | 7 |
| Turning the Power On and Off..... | 7 |
| Adjusting the Volume..... | 7 |
| Fade-out Muting (FADE MUTING)..... | 8 |
| Enjoying the Powerful Sound (RHYTHM AX)..... | 8 |
| Selecting the Sound Mode (SOUND MODE)..... | 8 |
| Entering the Number with the Remote Control (Numeric Keys)..... | 8 |
| Using the Tuner | 9 |
| Tuning In a Station | 9 |
| Presetting Stations | 10 |
| To Change the FM Reception Mode | 10 |
| Using the CD Player | 11 |
| To Load CDs | 12 |
| To Unload CDs..... | 12 |
| Changing the MP3 Playback Mode | 12 |
| Basics of Using the CD Player-Normal Play..... | 13 |
| Programming the Playing Order of the Tracks..... | 14 |
| Random Play..... | 15 |
| Repeating Tracks | 15 |
| Tray Lock Function | 15 |
| Using the Cassette Deck (Listening to a Tape) | 16 |
| Playing a Tape | 16 |
| Using the Cassette Deck (Recording) | 17 |
| Standard Recording | 18 |
| CD Synchro Recording..... | 18 |
| Tape to Tape Recording (DUBBING)..... | 18 |
| Using an External Equipment | 19 |
| Listening to the External Equipment | 19 |
| Using the Timers | 20 |
| Setting the Clock | 20 |
| Fixing the Clock | 20 |
| Setting the Daily Timer | 21 |
| Setting the REC (Recording) Timer | 22 |
| Setting the SLEEP Timer | 24 |
| Timer Priority | 24 |
| Care And Maintenance..... | 25 |
| Troubleshooting | 26 |
| Specification | 26 |

Getting Started

Accessories

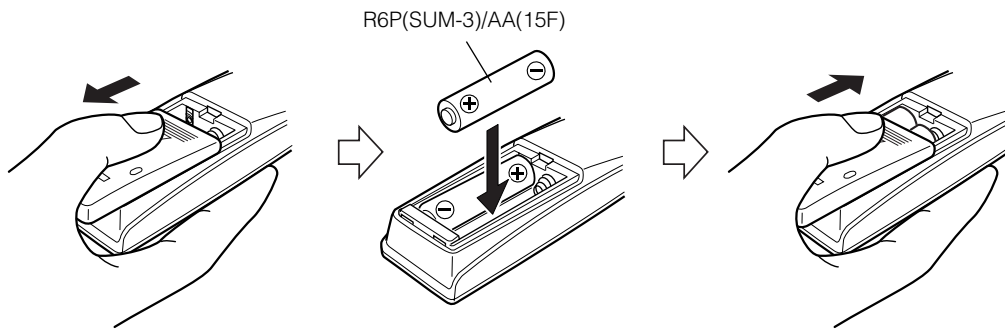
Make sure that you have all of the following items, which are supplied with the System.

- AM Loop Antenna (1)
- FM Wire Antenna (1)
- Remote Control (1)
- Batteries (2)

If any of these items are missing, contact your dealer immediately.

How To Put Batteries In the Remote Control

Match the polarity (+ and -) on the batteries with the + and - markings in the battery compartment.



CAUTION:

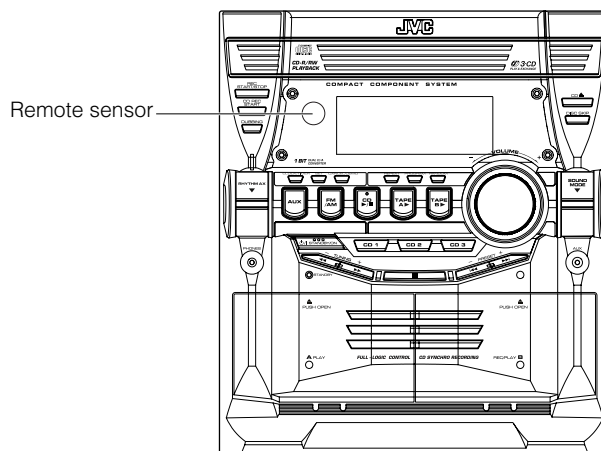
- Handle batteries properly.

❑ To avoid battery leakage or explosion:

- Remove batteries when the Remote Control will not be used for a long time.
- When you need to replace the batteries, replace both batteries at the same time with new ones.
- Do not use an old battery with a new one.
- Do not use different types of batteries together.

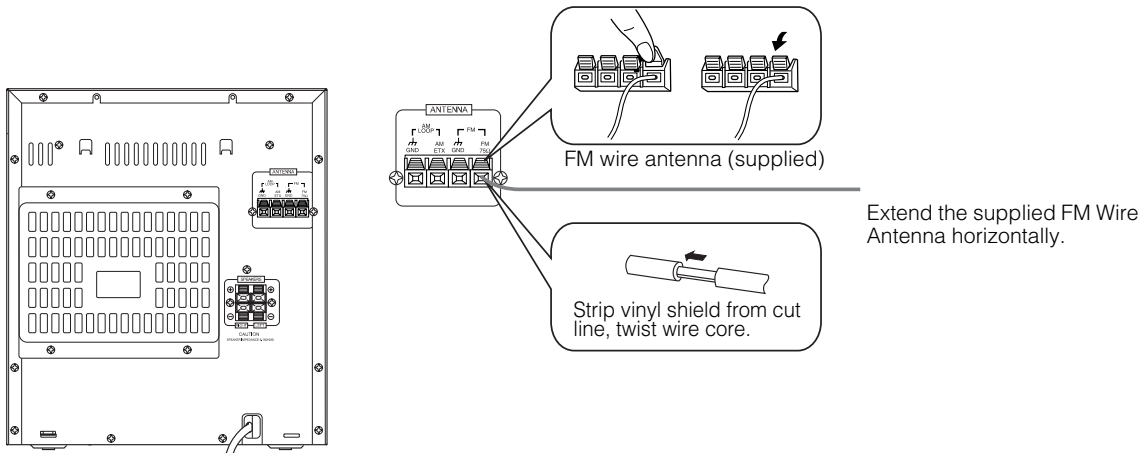
Using the Remote Control

The Remote Control makes it easy to use many of the functions of the System from a distance of up to 7m (23 feet) away. You need to point the Remote Control at the remote sensor on the System's front panel.

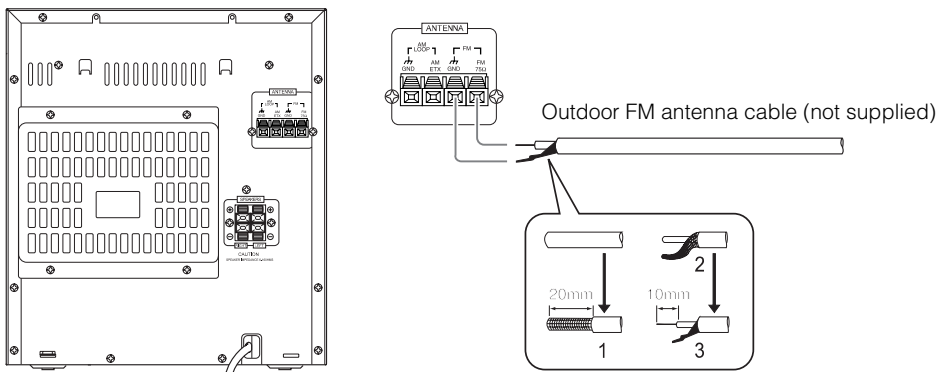


CAUTION:

- Make all connections before plugging the System into an AC power outlet.

Connecting the FM Antenna**Using the Supplied Wire Antenna****Using an FM 75-Ohm Antenna Cable (not Supplied)**

If reception is poor, connect the outside antenna.

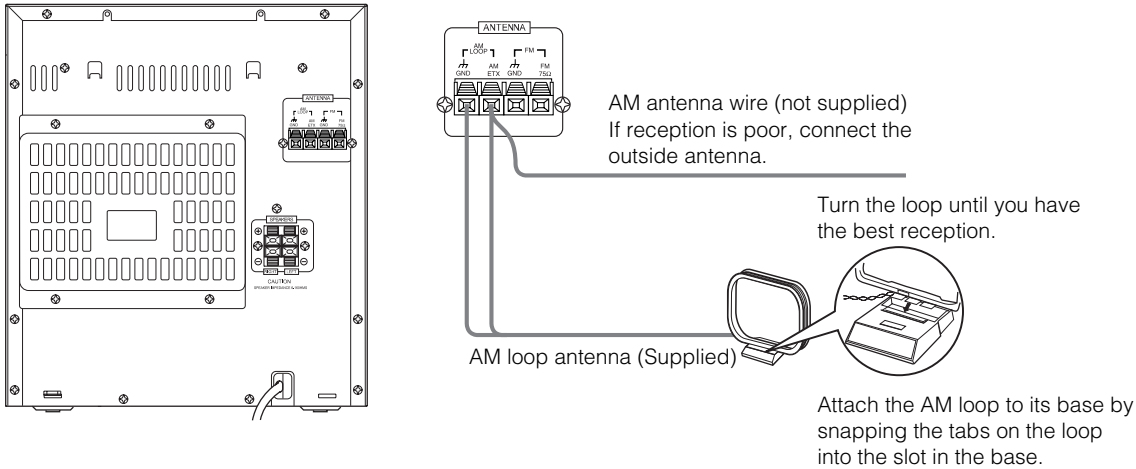
**Note**

- Before attaching a 75 ohm coaxial lead (the kind with a round wire going to an outdoor antenna), disconnect the supplied FM Wire Antenna.

Getting Started

Connecting the AM Antenna

Rear Panel of the Unit



- Even when connecting an outside AM antenna, keep the indoor AM loop connected.

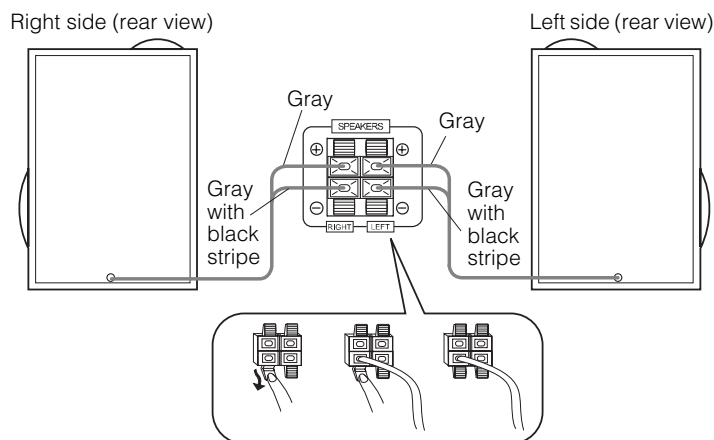
CAUTION:

- To avoid noise, keep antennas away from the System, the connecting cord and the AC power cord.

Connecting the Speakers

Connect the right speaker to the RIGHT speaker terminals and the left speaker to the LEFT speaker terminals. “Right” / “Left” is labeled on the rear of the speaker.

1. Open each of the terminals to connect the speaker wire leads.
2. Connect the speaker cords to the Speaker terminals of the Unit.
Connect the gray (+) and gray with black stripe (–) cords of the right side speaker to the red (+) and black (–) terminals marked RIGHT on the System.
Connect the gray (+) and gray with black stripe (–) cords of the left side speaker to the red (+) and black (–) terminals marked LEFT on the System.
3. Close each of the terminals.



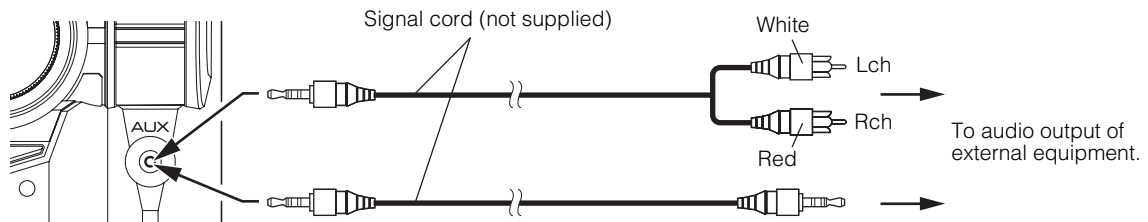
CAUTIONS:

- A TV may display irregular colors if located near the speakers. If this happens, set the speakers away from the TV.
- Use speakers with the correct impedance only. The correct impedance is indicated on the rear panel.

Connecting External Equipment

Connect a signal cord with stereo mini plugs (not supplied) between the System's AUX jack on the front panel and the audio output jack or output terminals of the external portable CD, MD player, STB, etc.

You can then listen to the external source through the System.



Connecting to the Wall Outlet

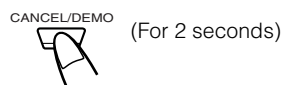
Plug the AC power cord into the wall outlet.
Now, your System is at your command!

DEMO Mode

When the System is connected to the wall outlet, a DEMO mode displaying some of the system's features automatically starts.

To turn the DEMO display off, press any of the operation buttons. The DEMO display automatically stops.

To turn the DEMO display on, press the DEMO button on the Unit for more than 2 seconds.



Note

- While the System is turned on, the DEMO display will automatically start if no operation is made for 2 minutes. To cancel this auto DEMO display function, press the CANCEL button on the Unit during DEMO display.

COMPU Play

JVC's COMPU PLAY feature lets you control the most frequently used System functions with a single touch.

With One Touch Operation you can play a CD, a tape, turn on the radio, or listen to an external equipment with a single press of the play button for that function. One Touch Operation turns the power on for you, then starts the function you have specified. If the System is not ready (no CD or tape in place), the System still powers on so you can insert a CD or tape.

How One Touch Operation works in each case is explained in the section dealing with that function.

The COMPU PLAY buttons are:

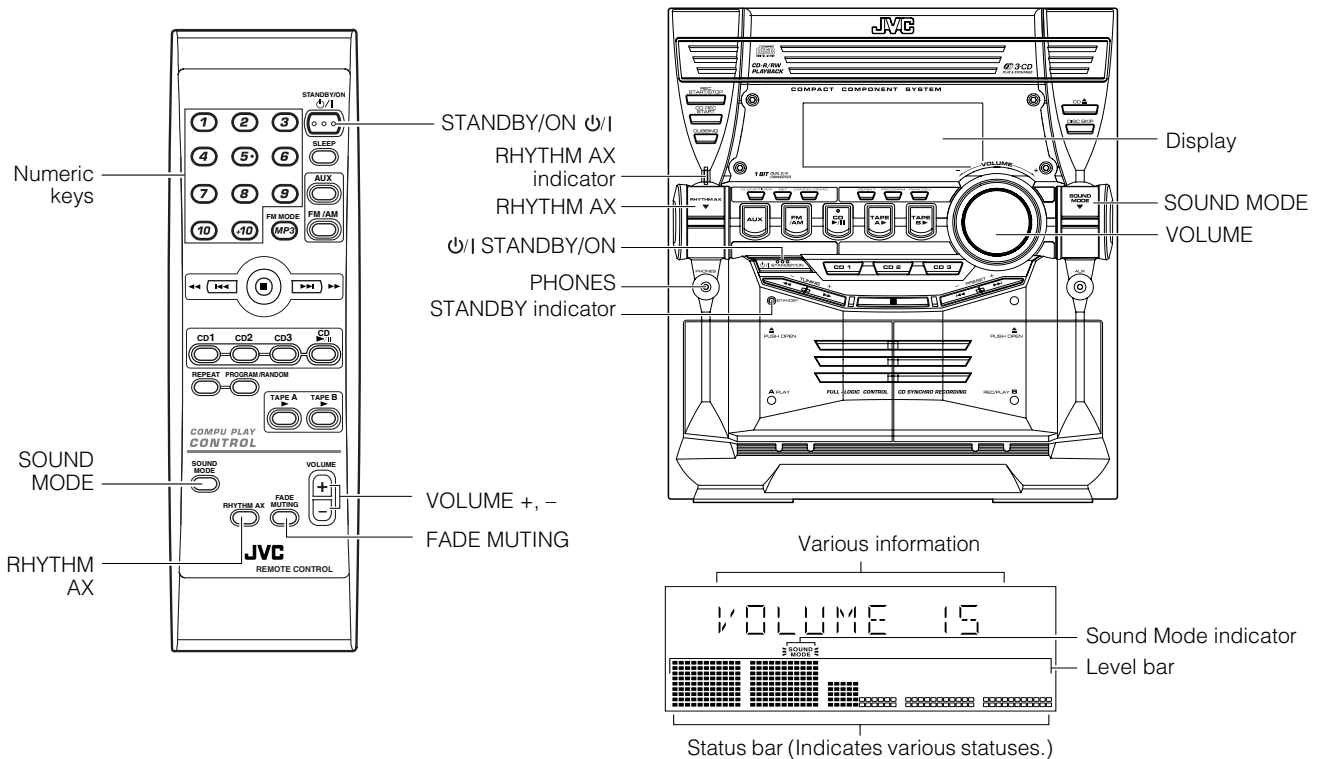
On the Unit

- CD ►/|| button
- FM/AM button
- TAPE A ►, TAPE B ► buttons
- AUX button
- CD1, CD2 and CD 3 buttons
- CD Open/Close ▲ button

On the Remote Control

- CD ►/|| button
- FM/AM button
- TAPE A ►, TAPE B ► buttons
- AUX button
- CD1, CD2 and CD 3 buttons

Basic Operations

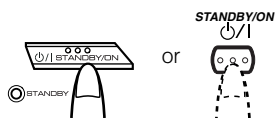


* When the System is in use, the display shows other items as well.
For simplicity, we show here only the items described in this section.

Turning the Power On and Off

Turning the System On

1 Press the ψ /I STANDBY/ON button.



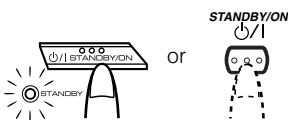
The display comes on and "POWER ON" is displayed once. The STANDBY indicator goes out.

The System comes on ready to continue in the mode it was in when the power was last turned off.

- For example, if the last thing you were doing was listening to a CD, you are now ready to listen to a CD again. If you wish, you can change to another source.
- If you were listening to the Tuner last, the Tuner comes on playing the station it was last set to.

Turning the System Off

1 Press the ψ /I STANDBY/ON button again.



"GOOD BYE" is displayed and the display goes out, except for the clock display. The STANDBY indicator lights up. (The display is dimmed.)

- Some power is always consumed even though power is turned off (called Standby mode).

- To switch off the System completely, unplug the AC power cord from the wall outlet. When you unplug the AC power cord, the clock will be reset to AM 12:00 immediately.

Adjusting the Volume

Turn the VOLUME control on the Unit clockwise to increase the volume or turn it counterclockwise to decrease the volume.

Press the VOLUME + button on the Remote Control to increase the volume or press the VOLUME - button on the Remote Control to decrease the volume.

VOLUME 15

You can set the volume level to MIN, 1-31, or MAX.

Note

- When you turn the power off at a volume level of over 19, the volume level is automatically set to 18 when the power is turned back on.

CAUTION:

- **DO NOT** turn on the System and/or start playing any source without first setting the VOLUME control to minimum, as a sudden blast of sound could damage your hearing, speakers and/or headphones.

For private listening

Connect a pair of headphones to the PHONES jack. No sound comes out of the speakers.

Be sure to turn down the volume before connecting or putting on headphones.

Fade-out Muting (FADE MUTING)

You can mute the output with one touch operation.

To muting the output, press the FADE MUTING button on the Remote Control. The output is faded out.

To release muting, press the FADE MUTING button once again. The output is faded in to the previous level.

- After Fade-out Muting, turning the VOLUME control on the unit or pressing the VOLUME button on the Remote Control will increase the volume from the previous level.

Enjoying the Powerful Sound (RHYTHM AX)

Using RHYTHM AX, harder-hitting beats intensify your listening experience even at low sound levels.

RHYTHM AX also works even when the song has no “beat,” such as classical music, so that you can listen to the rich sound even at low sound levels.

This function only affects the playback sound, not your recording.

Press down the RHYTHM AX control.

“RHYTHM AX” appears and the display return to the Music Source Selecting mode.

- Each time you press down the control, RHYTHM AX turns on and off alternately.
- The RHYTHM AX lamp also lights up.



When using the remote control, press RHYTHM AX.

- Each time you press the button, RHYTHM AX turns on and off alternately.

Note

- Each time you turn the RHYTHM AX on or off, you will hear a gap in the playback.

Selecting the Sound Mode (SOUND MODE)

You can select one of 3 SEA (Sound Effect Amplifier) modes. You can use this effect only for playback.

To get the effect, press the SOUND MODE button until Sound Mode you want appears on the display.

The “SOUND MODE” indicator lights up in the display.

Each time you press the button, the Sound Mode changes as follows:

ROCK → POP → CLASSIC → FLAT → (back to the beginning)

To cancel the effect, press the SOUND MODE button until “FLAT” appears on the display.

The “SOUND MODE” indicator goes off.

| | |
|----------------|---|
| ROCK | Boosts low and high frequencies. Good for acoustic music. |
| POP | Good for vocal music. |
| CLASSIC | Set for wide and dynamic sound stereo systems. |
| FLAT | No sound effect applies. |

Entering the Number with the Remote Control (Numeric Keys)

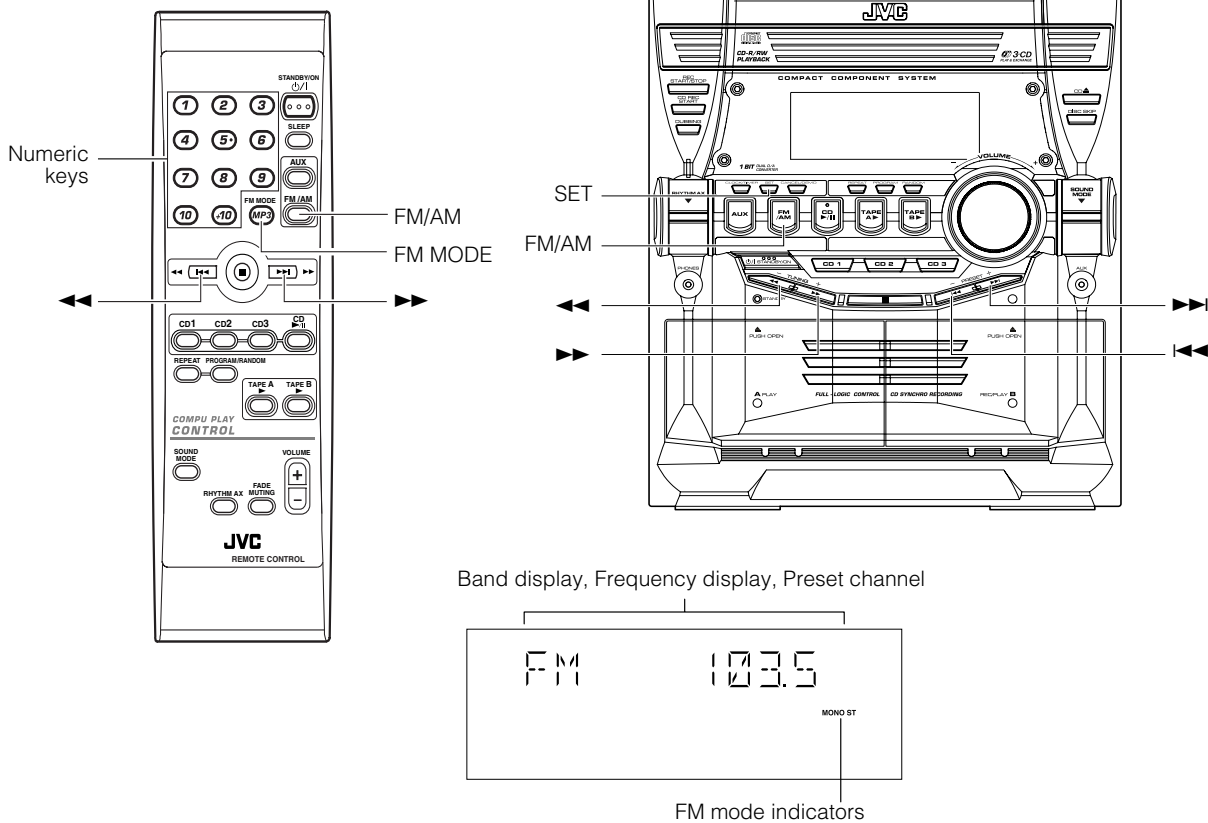
You will use the number keys on the Remote Control to enter numbers for presetting stations, recalling the preset stations, or programming the playing tracks on CDs.

How to enter the number with the number keys is explained here.

Examples:

- To enter number 5, press 5.
- To enter number 15, press +10, then 5.
- To enter number 20, press +10, then 10.
- To enter number 25, press +10, +10, then 5.

Using the Tuner



* When the System is in use, the display shows other items as well. For simplicity, we show here only the items described in this section.

You can listen to FM and AM stations. Stations can be tuned in manually, automatically, or from preset memory storage.

☐ Before listening to the radio:

- Make sure that both the FM and AM antennas are correctly connected. (See pages 4 and 5.)

One Touch Radio

Just press the FM/AM button to turn on the System and start playing the station you were last tuned to.

☐ You can switch from any other sound source to the radio by pressing the FM/AM button.

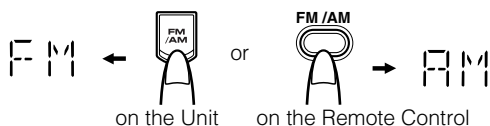
Tuning In a Station

1 Press the FM/AM button.

The Band and Frequency you were last tuned to appear on the display.

(If the last station was selected using the preset number, the preset number appears first.)

Each time you press the button, the band alternates between FM and AM.



2 Select a station using one of the following methods.

• Manual Tuning

Briefly press the ◀◀ or ▶▶ button to move from frequency to frequency until you find the station you want.

OR

• Auto Tuning

If you hold down the ◀◀ or ▶▶ button for 1 second or more and then release it, the frequency changes down, or up, automatically until a station is found.

OR

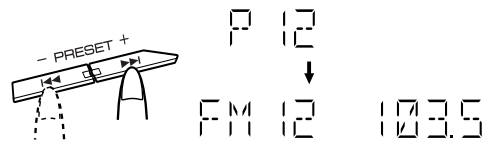
• Preset Tuning (Possible only after presetting stations)

Preset tuning using the Unit:

Select the preset number you want, using the ◀◀ or ▶▶ button.

Example:

Press the ▶▶ button until the preset number "P12" appears on the display. Then, the display will show the preset number's band and frequency.



Preset tuning using the Remote Control:

Enter the preset number you want to recall using the numeric keys. See "Entering the Number with the Remote Control" on page 8.

Example:

Press +10, then 2 to recall the preset number 12. Then, the display will show the preset number's band and frequency.

Note

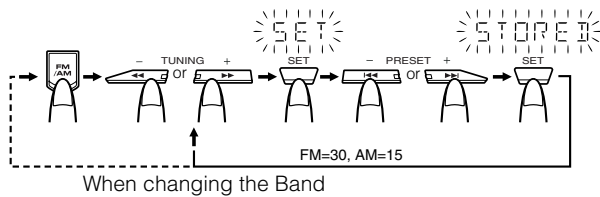
- In AM broadcast, reception sensitivity will be changed by turning the AM loop antenna. Turn the AM loop antenna for best reception.

Presetting Stations

You can preset up to 30 FM stations and up to 15 AM stations.

Notes

- Preset numbers may have been set to factory test frequencies prior to shipment. This is not a malfunction. You can preset the stations you want into memory by following one of the presetting methods below.
- During presetting stations, if no button operation is made for 5 seconds, the display returns to the band/frequency display. In this case, repeat steps from the beginning.

**Using the Unit**

- Select a band by pressing the FM/AM button.
- Press the ◀◀ or ▶▶ button to tune in a station.
- Press the SET button.
“SET” will blink for 5 seconds.
- While “SET” is blinking, press the ◀◀ or ▶▶ button to select the preset number.
▶▶: Increases the preset number by 1.
◀◀: Decreases the preset number by 1.
- Press the SET button.
“STORED” appears and, after 2 seconds, the display returns to the band/frequency display.
- Repeat above steps 2 to 5 for each station you want to store in memory with a preset number.

To change the preset stations, repeat the same steps as above.

Note

- In step 4, you can select the preset number using the numeric keys on the Remote Control. See “Entering the Number with the Remote Control” on page 8.

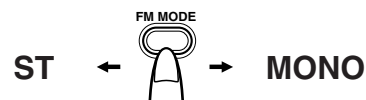
CAUTION:

- Even if the System is unplugged or if the power failure occurs, the preset stations will be stored for a few days. However, in case the preset stations are erased, you will need to preset the stations again.

To Change the FM Reception Mode

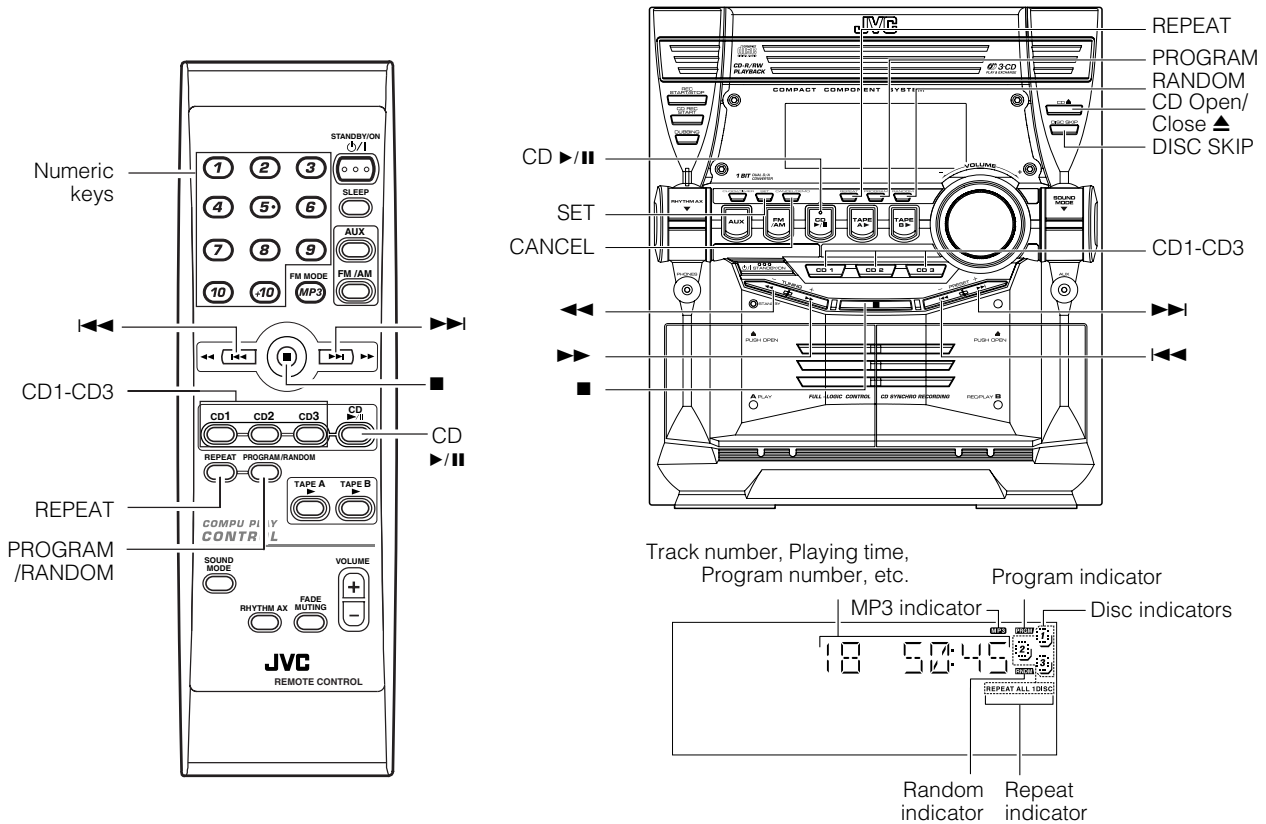
When you are tuned in to an FM stereo broadcast, the “ST (Stereo)” indicator lights up and you can hear stereo effects. If an FM stereo broadcast is hard to receive or noisy, you can select Monaural mode. Reception improves, but you lose stereo effect.

Press the FM MODE button on the Remote Control so that the “MONO” indicator lights up on the display.



To restore the stereo effect, press the FM MODE button on the Remote Control so that the “MONO” indicator goes off. Selecting other station will also cancel the FM Mono mode and restore the stereo effect.

Using the CD Player



* When the System is in use, the display shows other items as well. For simplicity, we show here only the items described in this section.

This unit has been designed to playback the following CDs:

- Audio CD
- CD-R (CD-Recordable)
- CD-RW (CD-ReWritable)
- MP3 disc (MP3 files recorded on a CD-R or CD-RW)*

When playing a CD-R or CD-RW

- User-edited CD-Rs (CD-Recordable) and CD-RWs (CD-ReWritable) can be played back when they are already “finalized.”
- Before playing back CD-Rs or CD-RWs, read their instructions or cautions carefully.
- Some CD-Rs or CD-RWs may not be played back on this unit because of their disc characteristics, damage or stain on them, or if the player’s lens is dirty.
- CD-RWs may require a longer readout time since the reflectance of CD-RWs is lower than for regular CDs.

*For MP3 discs

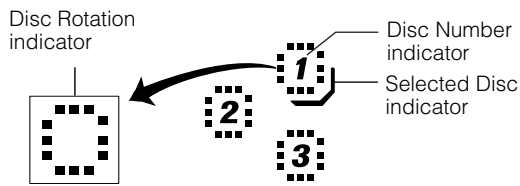
- This unit manages files and folders on MP3 discs as “tracks” and “albums.”
- Playback order of the MP3 files (tracks) recorded on a disc are determined by the writing (or encoding) application; therefore, playback order may be different from the one you have intended while recording the files and the folders.
- This unit shows the file (track) names and ID3v2 tags (only “Title”, “Artist” and “Album”) on the display after starts play; however, there is a limitation on available characters and some file names and ID3 tags are not shown correctly.

Notes

More about MP3 discs

- MP3 discs (either CD-R or CD-RW) require a longer read-out time. (It varies due to the complexity of the recording configuration.)
- When making an MP3 disc, select ISO 9660 Level 1 or Level 2 as the disc format.
- This unit does not support multisession recording.
- This unit can play MP3 files only with the following file extensions—“.MP3,” “.Mp3,” “.mP3,” and “.mp3.”
- Non-MP3 files are ignored. If non-MP3 files are recorded together with MP3 files, this unit will take a longer time to scan the disc. It may also cause the unit to malfunction.
- Some MP3 discs may not be played back because of their disc characteristics or recorded conditions.

About Disc Indicator:



The Disc indicator consists of the following three kinds of indicators:

Disc Number indicator: Lights all the time.

Selected Disc indicator: Lights for the currently selected disc number.

Disc Rotation indicator: Runs when the selected CD is playing or paused. This indicator goes out if a CD is not loaded for the selected disc number.

One Touch Play

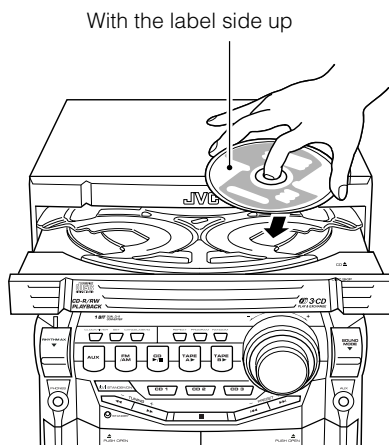
The power comes on, and operations are done automatically.

- ❑ By pressing the CD ►/⏸ button, the System will come on, and if a CD is loaded for the disc number that was lastly selected, it will start playing from the first track.
- ❑ By pressing the CD1-CD3 button, the System will come on, and if a CD is already loaded for the selected disc number, it will start playing from the first track.

To Load CDs

- 1 Press the CD Open/Close ▲ button on the Unit to open the tray.**
- 2 Place one or two CDs, with its label side up, onto the tray.**

Be sure that the CD is securely seated inside the recess on the disc tray.



- 3 Press the DISC SKIP button on the Unit and place the next CD.**

When you press the button, the tray turns for the next CD.

- 4 Press the CD Open/Close ▲ button on the Unit.**

The tray is closed.

- ❑ When you use an 8 cm (3") CD, place it on the inner circle of the tray.
- ❑ You can load CDs while listening to the other source or while listening to the CD being played back.
- ❑ When power is turned off with the tray opened, the tray is automatically closed.
- ❑ If the CD cannot be read correctly (because it is scratched, for example), "NO DISC" appears on the display.

To Unload CDs

Take out the CD as shown below.

- 1 While the CD Player is stopped, press the CD Open/Close ▲ button on the Unit to open the tray.**
- 2 Remove the CD, then press the DISC SKIP button on the Unit.**
The tray turns for the next CD.
- 3 Repeat step 2 to remove all the CDs.**
- 4 Press the CD Open/Close ▲ button on the Unit to close the tray.**

- ❑ You can remove CDs while listening to the other source.

Tips:

• Removing/changing the CDs during playback

While playing back a CD (e.g. CD1), you can remove or change the other CDs (e.g. CD2 and CD3) by pressing the CD Open/Close ▲ button. After removing or changing, press the same button to close the tray.

Changing the MP3 Playback Mode

When playing an MP3 disc, you can choose the playback mode of the MP3 disc as follows:

TRACK mode:

The unit recognizes only tracks (files). You can play an MP3 disc like an Audio CD.

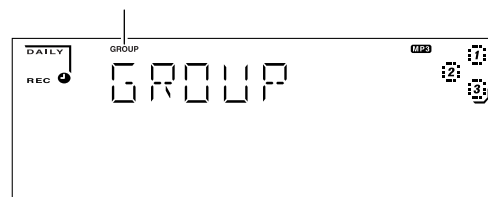
GROUP mode:

The unit recognizes tracks (files) and albums (folders) on an MP3 disc. You can play an MP3 disc according to the way how they are grouped.

On the remote control ONLY:

Press MP3 before or during playing an MP3 disc.

GROUP indicator appears when the MP3 playback mode is the GROUP mode.



- Each time you press the button, the MP3 playback mode changes between "GROUP" and "TRACK" alternately.

Using the CD Player

Basics of Using the CD Player- Normal Play

To Play CDs

1 Load CDs.

2 Press one of the Disc button (CD1-CD3) you want to play.

The selected disc number (e.g. "CD DISC 1") appears on the display.

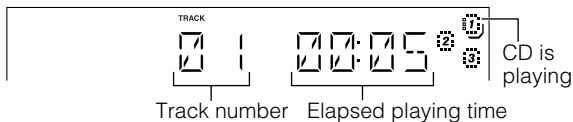
The first track of the selected CD begins playing. When the first CD finishes playing, the next and the third CDs are continuously played back.

When the last CD has finished playing, the CD Player automatically stops.

- You can start to play the currently selected disc by simply pressing the CD ►/|| button.

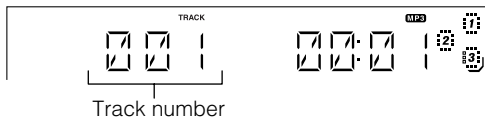
While playing the CD, the following will appear on the display.

For Audio CD



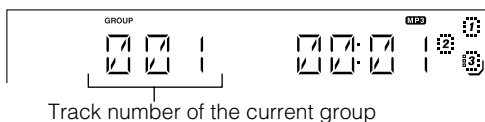
For MP3 disc

TRACK mode



- After the display above is shown, if the tracks include ID3 tags, the display will scroll in the order of file name, title, artist, and album, then returns to the original display.

GROUP mode

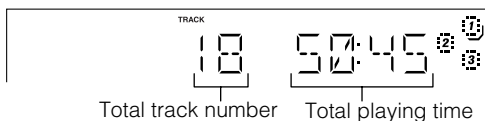


- After the display above is shown, if the tracks include ID3 tags, the display will scroll in the order of file name, title, artist, and album, then returns to the original display.

When the Disc button (CD1-CD3) is pressed with the tray opened, the tray is closed and the selected CD automatically begins playing.

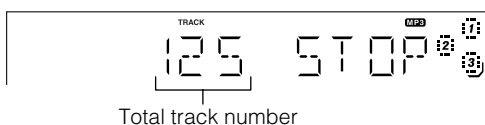
To stop playing the CD, press the ■ button. The following information for the CD is displayed.

For Audio CD

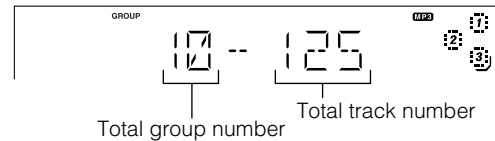


For MP3 disc

TRACK mode



GROUP mode



To pause, press the CD ►/|| button. The playing time indication blinks on the display.

To cancel pause, press the CD ►/|| button again. Play continues from the point where it was paused.

Tips:

• Playing back the CD using the DISC SKIP button

You can also play the CDs using the DISC SKIP button. During playback, each time you press the button, the next CD is automatically played back. If the next disc tray is empty, the disc tray is automatically skipped.

To Select a Track

During playback (using the ◀◀ or ▶▶ button):

Briefly press the ◀◀ or ▶▶ button to select the track you want to play, except for MP3 group mode.

By pressing the button, you can skip to the next track or skip back to the previous track.

- The selected track starts playing.
- Press the ▶▶ button once to skip to the beginning of the next track.
- Press the ◀◀ button to skip to the beginning of the current track. Press twice quickly to skip to the beginning of the previous track.

In Stop mode (using the ◀◀ or ▶▶ button):

By briefly pressing the ◀◀ or ▶▶ button, the CD Player operates in the same way as during playback, except for MP3 group mode.

Using the numeric keys on the Remote Control:

Using the numeric keys, you can directly select the track on the currently selected CD.

- The selected track starts playing.
- For example, press +10, then 5 to play back the track number 15. See "Entering the Number with the Remote Control" on page 8.

In MP3 group mode:

The selected track of the current group starts playing.

Tips:

• For MP3 discs

When the selected track starts playing, information of that track scrolls on the display, in the order of file name, title, artist, and album.

In the STOP mode, the file name (TRACK mode), the group name and the file name (GROUP mode) scroll on the display.

To Select a Group (For MP3 GROUP mode only)

During playback (using the ◀◀ or ▶▶ button):

Briefly press the ◀◀ or ▶▶ button to select the group you want to play.

- The first track of the selected group starts playing.

In Stop mode (using the ◀◀ or ▶▶ button):

Briefly press the ◀◀ or ▶▶ button to select the group you want to play. The group number, the group name and the file name scroll on the display.

Search Play

Holding down the following buttons, during playback, will fast forward/backwards the CD so you can quickly find a particular passage in the track you are listening to.

- ◀◀ or ▶▶ button on the Unit
- ◀◀ or ▶▶ button on the Remote Control

Programming the Playing Order of the Tracks

You can program the playing order of the tracks on all the CDs. Note that you can only make a program when the CD Player is stopped.

- You can program up to 32 tracks in any desired order including the same tracks.

Notes

For MP3 discs

- If you try to select a MP3 disc that has once been read or played, "MP3 DISC" appears on the display and it can not be programmed.
- MP3 disc that has not ever been read can be selected in a program mode. But when playback starts, "MP3 DISC" appears on the display, the program is deleted and switched to a next program.

To Make a Program

1 Load CDs.

2 In Stop mode, set the CD Player in Program Play mode.

On the Unit

Press the PROGRAM button to light the "PRGM" indicator on the display.

At the same time, "PROGRAM" appears on the display.

On the Remote Control

Press the PROGRAM/RANDOM button until "PROGRAM" appears on the display.

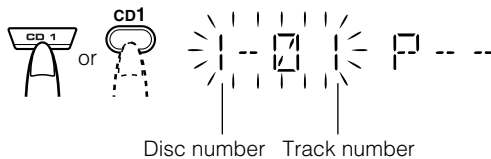
The "PRGM" indicator also lights up on the display.

Each time you press the button, the display changes as follows: PROGRAM → RANDOM → Normal display (Normal Play) → (back to the beginning)

- If a program is already made, the last step of the program will be displayed.

3 Press one of the Disc button (CD1-CD3) to select the CD you want to program.

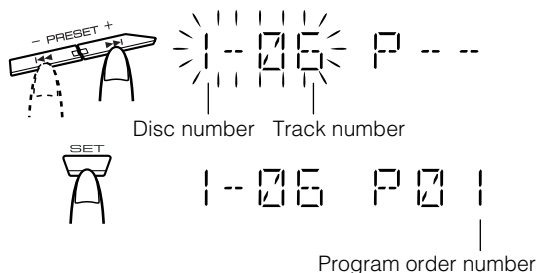
The display will change to the Program Entry display.



4 Select the track you want to program.

Using the Unit

While the display is blinking, press the ◀◀ or ▶▶ button on the Unit to select the track, then press the SET button within 5 seconds. The program order number will be assigned from P-1.



Using the Remote Control

Press the numeric keys to directly enter the track number. Then, the program order number will be assigned from P-1.

- To delete the current program step, press the CANCEL button on the Unit.

5 Repeat steps 3 and 4 to program other tracks on the same CD or the other CD.

6 To play the program, Press the CD ▶/|| button.

For details, see "To Play the Program You Have Made" mentioned below.

To confirm the programmed contents, while the CD player is stopped, select Program mode by pressing the PROGRAM button and press the ◀◀ or ▶▶ button on the Remote Control.

To delete all the tracks in the program, while the CD Player is stopped, press the ■ button or open the tray by pressing the CD Open/Close ▲ button.

To Modify the Program, while the CD Player is stopped and the program mode is selected, press the CANCEL button, the last track in the program is deleted. To add new tracks to the end of the program, repeat above steps 3 and 4.

Notes

- If you try to program a track number that does not exist on the CD, your entry will be ignored.
- If you try to program the 33rd track, "FULL" appears on the display.

To Play the Program You Have Made

Press the CD ▶/|| button.

The System plays the tracks in the order you have programmed them.

- To use Repeat Play for Program Play, press the REPEAT button to select "REPEAT" before starting playback. For details, see "Repeating Tracks" on page 15.

- You can skip to a particular program track by pressing the ◀◀ or ▶▶ button during Program Play.

- To stop playing, press the ■ button once. If you press the ■ button, while the CD Player is stopped, the program is deleted.

To Exit and Re-enter Program Play

The program you have made is stored in memory. So, you can exit Program Play temporarily or re-enter Program Play unless you delete the program.

To exit the program mode once, press the ■ button to stop playing. The "PROG" indicator goes off and the Program mode will be canceled. The program is stored in the memory.

To re-enter Program Play mode, press the PROGRAM or PROGRAM/RANDOM button until the "PRGM" indicator lights up again.

Notes

- When the power is turned off (standby mode), the programmed tracks are deleted.
- Tray will not open during the program playback.

Using the CD Player

Random Play

The tracks of the selected CD will play in no special order when you use this mode.

1 In Stop mode, set the CD Player in Random Play mode.

On the Unit

Press the RANDOM button to light the "RNDM" and "1 DISC" indicator.

At the same time, "RANDOM" appears on the display.

On the Remote Control

Press the PROGRAM/RANDOM button until the "RANDOM" appears on the display.

The "RNDM" and "1 DISC" indicator also lights up on the display. Each time you press the button, the display changes as follows: PROGRAM → RANDOM → Normal display (Normal Play) → (back to the beginning)

2 Press the CD ►/|| button.

The tracks on all the CDs are played in random order.

To stop playing, press the ■ button. The Random mode is canceled and the "RNDM" and "1 DISC" indicator goes off.

To skip a track during playback, press the ►| button to jump to the next track in the random sequence.

Repeating Tracks

You can repeat all tracks or individual track, as many times as you like.

Press the REPEAT button.

The Repeat indicator changes with each press of the button, as follows:

REPEAT ALL → REPEAT 1DISC → REPEAT 1 → Blank display → (back to the beginning)

REPEAT ALL: In Normal Play mode, repeats all the tracks on all the CDs.

REPEAT 1DISC: Repeats all tracks on one CD. (Selectable in Normal Play only)

REPEAT 1: Repeats one track.

In Program Play mode, the Repeat indicator changes with each press of the REPEAT button, as follows:

REPEAT ↔ Blank display

It repeats all the tracks in the program.

To stop playing, press the ■ button. Changing the source to the other (e.g. Tuner) will also stop playing. The Repeat mode is canceled and the Repeat indicator goes off.

Tray Lock Function

In order to safely keep the CD in the CD Player, the tray can be electronically locked.

When the electronic lock is on, the tray cannot be opened even if the CD Open/Close ▲ button on the Unit is pressed.

Locking the Tray

1 Turn on the System and enter CD mode.

2 While pressing down the ■ button, press the CD Open/Close ▲ button on the Unit.

"LOCKED" appears on the display.



- If you try to open the tray by pressing the CD Open/Close ▲ button, "LOCKED" appears on the display to let you know that the tray has been locked.

Unlocking the Tray

Repeat above steps 1 and 2.

"UNLOCKED" appears on the display.

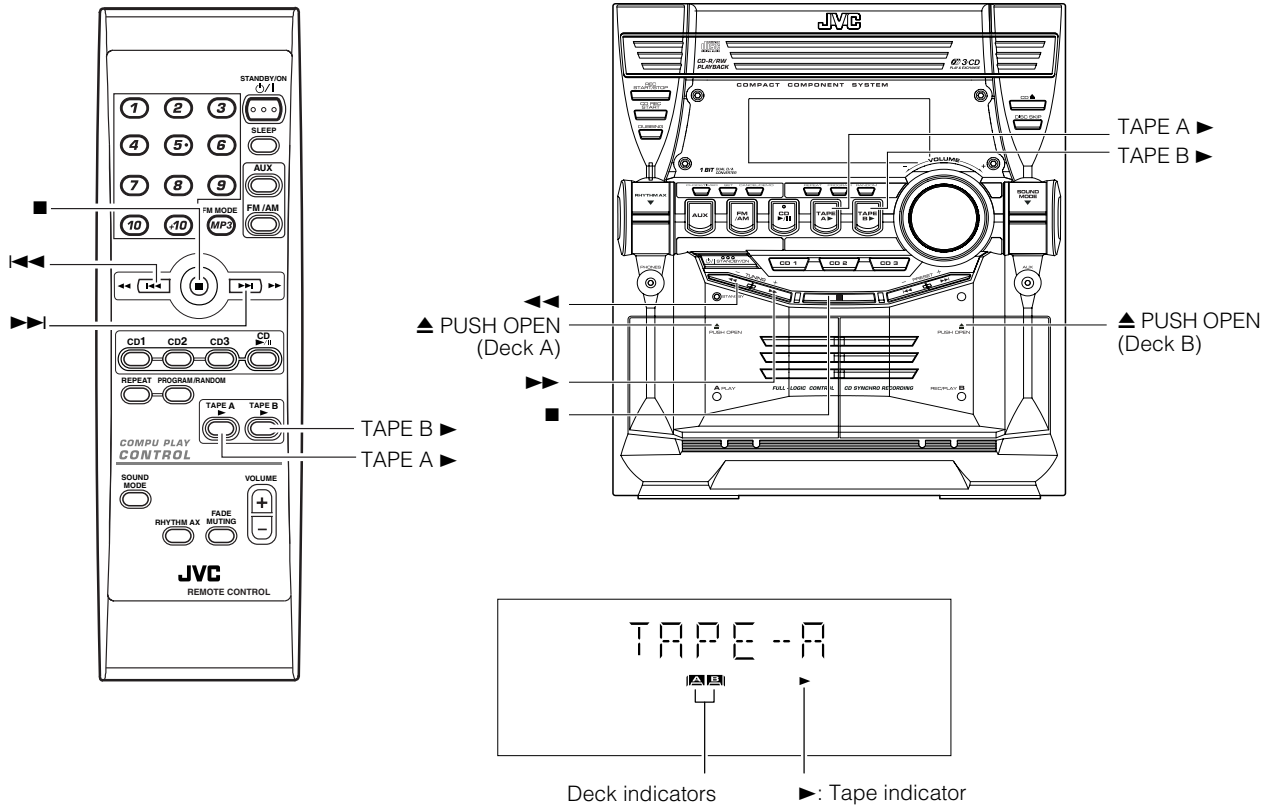


Now, you can use the tray normally.

Note

- Even after the System is unplugged, the tray lock condition will be retained for a few days. To unlock the tray after powering up, you need to perform the unlocking operation.

Using the Cassette Deck (Listening to a Tape)



* When the System is in use, the display shows other items as well. For simplicity, we show here only the items described in this section.

The Cassette Deck allows you to play, record, and dub audio tapes.

☐ Listening to type I tape is suitable for this Cassette Deck.

The use of tapes longer than 120 minutes (including 120 minute tapes) is not recommended, since characteristic deterioration may occur and these tapes easily jam in the pinch-rollers and the capstans.

One Touch Play

By pressing the TAPE A ▶ or TAPE B ▶ button, the System will come on, and if a tape is in the deck, it will start to play. If no tape is loaded, "NO TAPE" appears on the display, the System will come on and wait for you to insert a tape, or select another function.

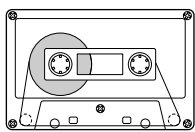
Playing a Tape

You can use either Deck A or Deck B at a time for playback.

1 Press the ▲ PUSH OPEN part for the deck you want to use.

2 When the cassette holder opens, put a cassette in, with the exposed part of the tape down, toward the base of the Unit.

The tape will travel from the left to right.



Tape travelling direction

- If the cassette holder does not open, turn the System off, then back on and press the ▲ PUSH OPEN part again.

3 Close the cassette holder gently.

When both Deck A and Deck B contain a tape, the last deck to have a tape inserted is selected.

4 Press the TAPE A ▶ or TAPE B ▶ button.

The selected Deck appears (for example, TAPE-A) and the Deck indicator "A" or "B" lights up on the display. The Tape indicator (▶) blinks on the display and the tape is played back.

The Cassette Deck automatically stops when one side of the tape has finished playing.

To stop playing, press the ■ button.

To remove the tape, stop the tape, and press the ▲ PUSH OPEN part to open the Cassette Holder.

To Fast-Wind a Tape

During playback or in Stop mode, press the ▶▶ (FF) button on the Unit to fast-wind the tape onto the right side of the cassette without playing. (You can also use the ▶▶| button on the Remote Control.) During playback or in Stop mode, press the ◀◀ (REW) button on the Unit to fast-wind the tape onto the left side of the cassette without playing. (You can also use the |◀◀ button on the Remote Control.)

During fast-winding the tape, the Tape indicator (▶) goes out.

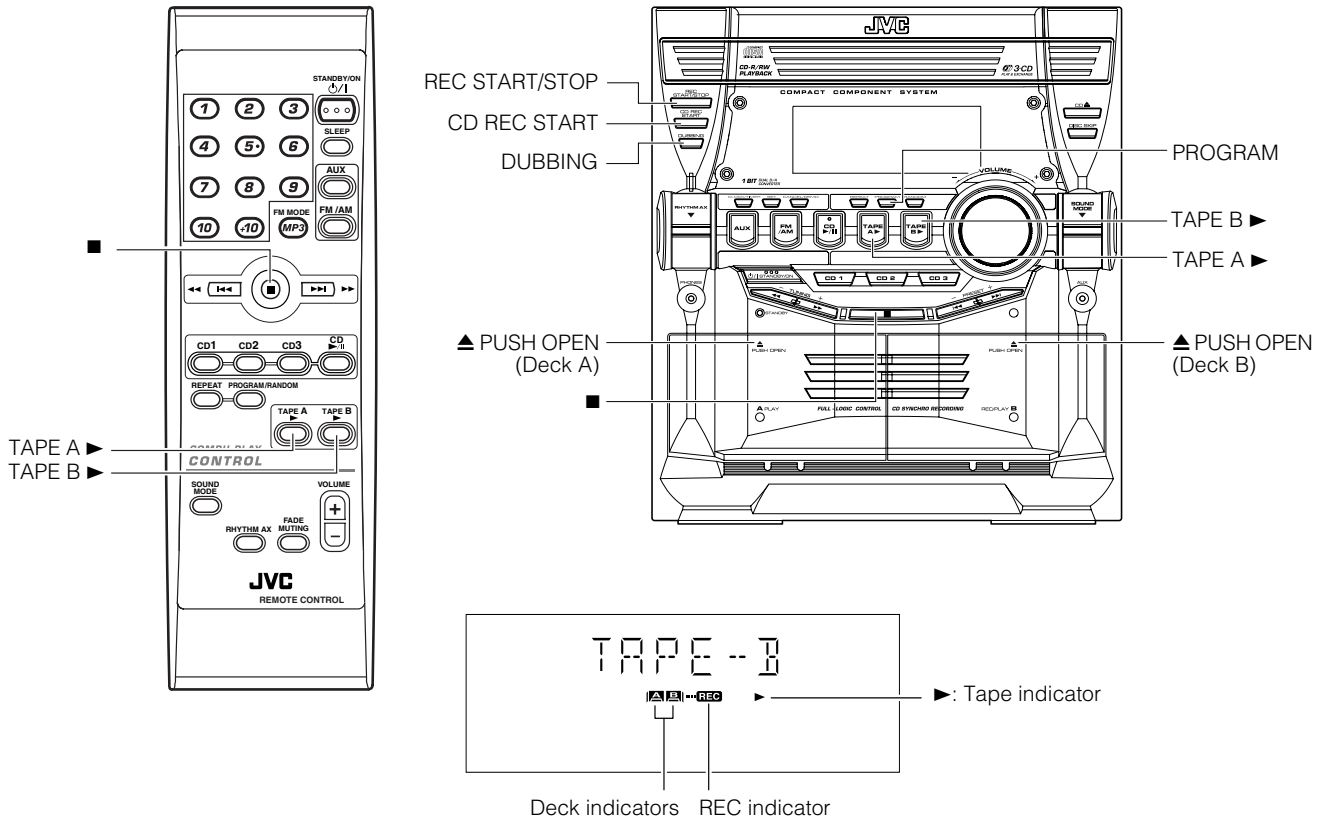
During fast-winding, the status bar illumination at the bottom of the display moves counterclockwise.

During rewinding, it moves clockwise.

- The Cassette Deck automatically stops when one side of the tape has finished playing.

☐ During fast-winding the tape, you can change the tape travelling direction by pressing the ▶▶ (FF) or ◀◀ (REW) button.

Using the Cassette Deck (Recording)

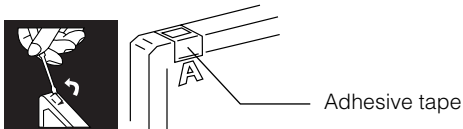


* When the System is in use, the display shows other items as well.
For simplicity, we show here only the items described in this section.

Recording onto a cassette from any of the sound sources is simple. Just place a tape in Deck B, have the source ready, make one or two settings, and you're ready to record. For each source, the procedure is a little bit different so we explain each separately. But first, here are a few things to make your recordings better.

Things To Know Before You Start Recording

- ❑ It may be unlawful to record or play back copyrighted material without the consent of the copyright owner.
- ❑ The recording level, which is the volume at which the new tape is being made, is automatically set correctly, so it is not affected by the VOLUME Control on the System. Also, it is not affected by adjusting the sound effects. Thus, during recording, you can adjust the sound you are actually listening to without affecting the recording level.
- ❑ Two small tabs on the back of the cassette tape, one for side A and one for side B, can be removed to prevent accidental erasure or recording.



- ❑ To record on a cassette with the tabs removed, you must cover the holes with adhesive tape first.
- ❑ Type I tape can be used for recording.

Note

- At the start and end of cassette tapes, there is leader tape which cannot be recorded onto. Thus, when recording CDs, radio broadcasts, etc., wind on the leader tape first to ensure getting the beginning of the recording.

CAUTION:

- If a recording you make has excessive noise or static, the Unit may have been too close to a TV which was on during the recording. Either turn off the TV or increase the distance between the TV and the Unit.

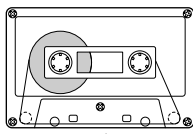
Standard Recording

This is the basic method for recording any source. The System also has special ways for recording CD to tape, and tape to tape, which save you time and effort, as well as give you some special effects. However, when you need to add a selection to a tape you have made, or are combining selections from several sources on one tape, use the method described below; just substitute the source you want into this procedure, such as a tape in Deck A, a CD, or the Tuner. You can also record from an external equipment with this procedure.

To Record Any Sound Source to Tape

Follow these steps to record from any sound source onto a tape in Deck B.

- 1 Insert a blank or erasable tape into the Deck B and wind past the tape leader.



Tape travelling direction

- 2 Prepare the source, by, for example, tuning in a radio station, loading CDs, or turning on connected equipment.

- For CD recording, see “CD Synchro Recording” mentioned below.
- For dubbing, see “Tape to Tape Recording (DUBBING)” described below.

- 3 Press the REC START/STOP button on the Unit.

The “REC” indicator lights up and the System begins recording.

The Tape indicator (▶) blinks on the display.

- If the tab of the cassette tape on the Deck B is removed to prevent erasure or recording, “NO REC” will appear on the display.

To stop during recording, press the REC START/STOP button on the Unit, or press the ■ button.

Recording an AM Station to Tape (Beat Cut)

When recording an AM broadcast, beats may be produced which are not heard when listening to the broadcast. If this happens, press the FM MODE button on the Remote Control to eliminate the beats.

- 1 Set to AM station and start recording.
- 2 Press the FM MODE button on the Remote Control to eliminate the beats.

Each time you press the button, the display changes as shown below:

BEAT 1 ↔ BEAT 2

CD Synchro Recording

Everything on the CD goes onto the tape in the order it is on the CD, or according to the order you have set in a program.

- 1 Prepare CDs. (See page 12.)

Press the CD1-3 button (that you want to make recording), and then press the ■ button.

- If you want to record specific tracks only, you need to program the tracks beforehand. (See page 14.)
- If you want to record one CD only, you need to load one CD only.

- 2 Insert a blank or erasable tape into the Deck B and wind past the tape leader.

- 3 Press the CD REC START button on the Unit. “CD REC” appears on the display and the “REC” indicator lights up. Then, the System begins CD Synchro Recording and the tracks on the CD are recorded on the tape.

When recording of the tracks of all CDs is finished, the CD Player and Cassette Deck stop.

- If the tab of the cassette tape on the Deck B is removed to prevent erasure or recording, “NO REC” will appear on the display.
- After the CD Player has played the entire CD or all the programmed tracks, the tape automatically stops.

To stop at any time during the recording process, press the ■ button. The CD Player and Cassette Deck stop.



- When making SLEEP timer settings while doing CD Synchro recording, set enough time to allow for the CD to finish playing, otherwise the power will go off before recording is completed.

Tape to Tape Recording (DUBBING)

Recording from one tape to another is called dubbing. You can dub tapes simply, with just a single button.

- 1 Press the TAPE A ▶ button, and then press the ■ button.

- 2 Insert the source cassette you want to copy from into Deck A for playback.

- 3 Insert a blank or erasable cassette you want to copy onto into Deck B for recording.

- 4 Press the DUBBING button on the Unit.

Deck A and Deck B will start simultaneously and the “REC” indicator lights up.

During dubbing, the Deck indicators “A” and “B” light up alternately.

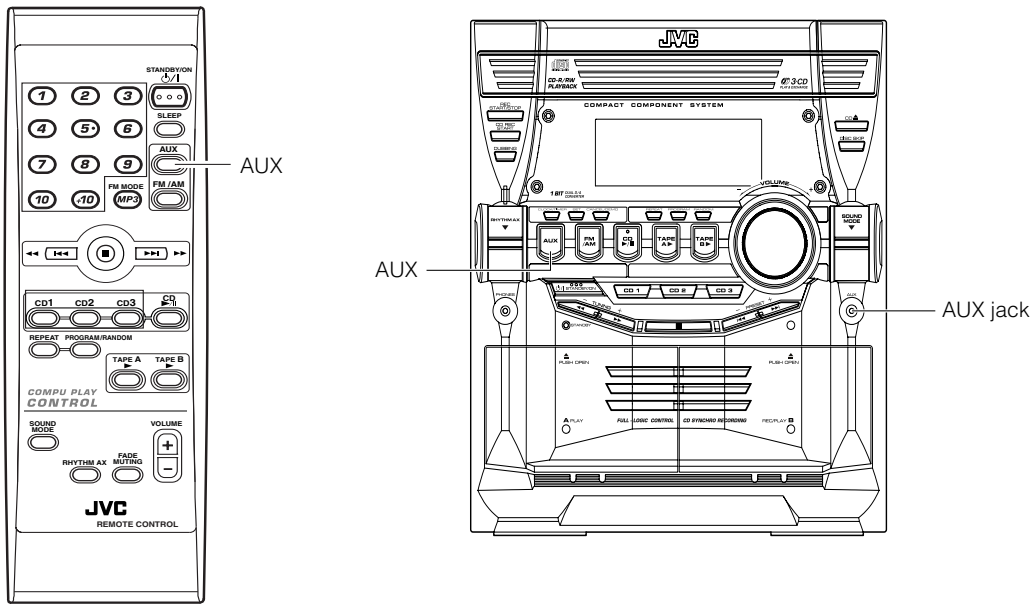
- If no tape is inserted into Deck A, “NO TAPE” will appear on the display.
- If no tape is inserted into Deck B, “NO TAPE” will appear on the display.

To stop dubbing, press the REC START/STOP button on the Unit or the ■ button.



- During dubbing, you can hear sound effects through the speakers or headphones. However, the sound is dubbed without sound effects.

Using an External Equipment



Listening to the External Equipment

You can listen to the external equipment such as portable CD, MD player, STB, or other auxiliary.

❑ First, make sure that the external equipment is properly connected to the System. (See page 6.)

1 Set the volume level to the minimum position.

2 Press the AUX button.

“AUX IN” appears on the display.

AUX IN

3 Start playing the external equipment.

4 Adjust the volume level to the level you want listen to.

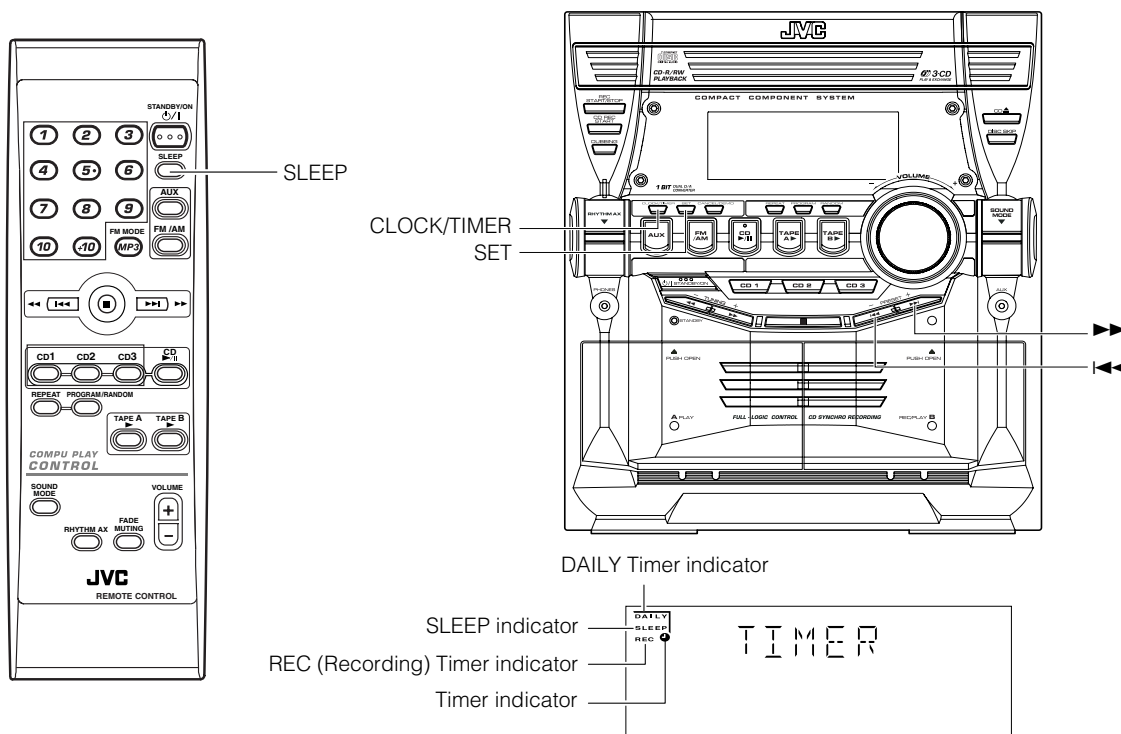
5 Apply the following sound effects, if you wish.

- RHYTHM AX (See page 8.)
- Sound Mode (See page 8.)



- For operation of the external equipment, refer to its Instructions.

Using the Timers



* When the System is in use, the display shows other items as well.
For simplicity, we show here only the items described in this section.

Three types of timers are available:

DAILY Timer

Use this timer to set wake up everyday to music from any source, instead of an alarm clock.

REC (Recording) Timer

Unattended recording of radio broadcasts. You can set the starting time and ending time.

SLEEP Timer

Fall asleep and have your System turn off automatically after a certain length of time.

Setting the Clock

When you plug the AC power cord into the wall outlet, the time indication "AM 12:00" blinks on the display.

You can set the clock whether the System is on or off.

Using the Unit

1 Press the CLOCK/TIMER button.

The hour digit of the time indication blinks on the display.

2 Press the ◀◀ or ▶▶ button to set the hour.

Pressing the ▶▶ button moves the time forwards and pressing the ◀◀ button moves it backwards. Holding down the button moves the hour rapidly.

3 Press the SET button.

The minute digits of the time indication blink on the display.

- To return to the hour setting, press the CANCEL button.

4 Press the ◀◀ or ▶▶ button to set the minute.

5 Press the SET button.

"CLOCK OK" appears on the display. Then, the selected time is set and the seconds start counting from 0.

Fixing the Clock

Using the Unit

1 Press the ⏻/⏻ STANDBY/ON button to turn on the System.

2 Press the CLOCK/TIMER button repeatedly until clock setting display (time indication) appears on the display.

Each time you press the button, display changes as follows:
DAILY → ON TIME → REC → ON TIME → Clock Setting display (time indicator) → Canceled → (back to the beginning)

3 Press the SET button.

The hour digits of the current clock blink on the display.

4 Follow steps 2 to 5 of "Setting the Clock" mentioned above.

Notes

- The clock must be correctly set for the timers to work.
- Each setting step must be completed within approx. 30 seconds. Otherwise, the setting is cleared and must be repeated from the beginning.
- The clock may gain or lose one to two minutes per month.
- If there is a power failure, the clock loses its setting immediately. "AM 12:00" blinks on the display and the clock must be reset.

Using the Timers

Setting the Daily Timer

Once you have set the Daily Timer, the timer will be activated at the same time every day.

The Timer indicator (🕒) and “DAILY” indicator on the display shows that the Daily Timer you have set is in effect.

You can set the Daily Timer whether the System is turned on or off.

Notes

- You can set the Daily Timer whether the System is on or off.
- Perform each setting within approx. 30 seconds. Otherwise, setting will be cleared and the procedure must be repeated from the beginning.
- If you have made a mistake while setting the timer, press the CANCEL button on the Unit. However, this does not always cancel the current setting. If the CANCEL button does not work, press the CLOCK/TIMER button on the Unit repeatedly until the display returns to the original display, and start from the first step.

Using the Unit

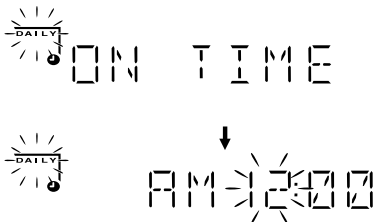
1 Press the CLOCK/TIMER button until “ON TIME” immediately after “DAILY” appears on the display.

At this time, “DAILY” indicator blinks and the Timer indicator (🕒) lights up on the display.

Each time you press the button, the display changes as follows:
DAILY → ON TIME* → REC → ON TIME → Clock setting display → Canceled → (back to the beginning)

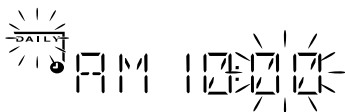
*: This item should be selected for the Daily Timer setting.

Then, the System enters ON-time setting mode, and the current ON time appears on the display and the hour digits blink.



2 Setting the ON time (Example: AM 10:15).

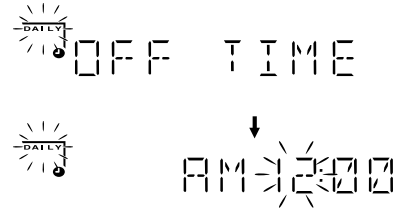
1. Press the ►► or ◀◀ button to set the hour you want the System to come on, then press the SET button.
The minute digits of the ON time blink on the display.
Pressing the ►► button moves the time forwards and pressing the ◀◀ button moves it backwards.
Holding down the button moves the time rapidly.



2. Press the ►► or ◀◀ button to set the minute, then press the SET button.



“OFF TIME” appears and then the System enters OFF-time setting mode. The current OFF time appears on the display, and the hour digits blink.



3 Setting the OFF time (Example: PM 1:15).

1. Press the ►► or ◀◀ button to set the hour you want the System to be turned off, then press the SET button.
The minute digits of the OFF time blink on the display.



2. Press the ►► or ◀◀ button to set the minute, then press the SET button.



The System enters Music Source Selecting mode and “TUNER FM” appears on the display.



4 Selecting the music source.

Press the ►► or ◀◀ button to select the music source you want to listen to, then press the SET button.

Each time you press the ►► or ◀◀ button, the display changes as shown below:

TUNER FM → TUNER AM → CD → TAPE → AUX IN → (back to the beginning)

According to the music source you have selected, the next operation differs.

- TUNER FM:** Tunes in to the specified preset FM station.
TUNER AM: Tunes in to the specified preset AM station.
CD: Plays the specified track on the specified CD.
TAPE: Plays a tape in Deck A.
AUX IN: Plays an external source.

Preparation for each music source:

Perform the following operation according to the music source you have selected. Then, the System enters Volume Setting mode.

When selecting TUNER FM or TUNER AM:

Press the ►► or ◄◄ button to select the preset station number, then press the SET button.

When selecting CD :

Press the ►► or ◄◄ button to select the disc number, then press the SET button.

Each time you press the button the disc number changes as follows:

DISC – → DISC 1 → DISC 2 → DISC 3 → (back to the beginning)

- If no disc number is specified, playback will start from the first track of the currently selected disc.

When selecting TAPE:

Insert a cassette tape you want to play into Deck A.

When selecting AUX:

Prepare the external equipment so that it will turn on at the ON time set by the System.

To allow this, the equipment should have the timer function.

5 Setting the volume level.

Press the ►► or ◄◄ button to select the volume level.

VOL -- : When the volume level is under 18: The current volume level will be used.

When the volume level is over 19: The volume level is automatically set to 18.

MIN, 1-31, or MAX: When the timer is turned on, the Volume will be automatically set to the selected level.

**6 Press the SET button.**

The timer setting is completed and the display returns to the display before you set the Timer.

7 Press the ⏻/| STANDBY/ON button to turn off the System, if necessary.

The Timer indicator (●) and “DAILY” indicator are lit on the display, showing that the Daily Timer is set to on.

To confirm / change the timer setting, repeat the setting procedure from the beginning.

When the timer ON-time comes:

The following operation will be automatically repeated every day.

- When the timer ON-time comes, the System automatically turns on. The music source you have set is played. The Timer indicator (●) blinks and “DAILY” indicator lights during timer operation.
- When the timer OFF-time comes, the System automatically turns off. Then, the Timer indicator (●) and “DAILY” indicator remain lit on the display.

Note

- If the System is already on when the timer ON-time comes, the Daily Timer does not work.

Turning the Daily Timer On and Off

Once you have set the Daily Timer, it is stored in memory. So, the Daily Timer will be activated at the same time every day until it is canceled.

To cancel the Daily Timer temporarily:

1 Press the CLOCK/TIMER button on the Unit repeatedly until the “DAILY” appears on the display.

2 Press the CANCEL button on the Unit.

“OFF” appears and both the Timer indicator (●) and the “DAILY” indicator go out.

To activate the cancelled Daily Timer:

1 Press the CLOCK/TIMER button on the Unit repeatedly until the “DAILY” appears on the display.

The “DAILY” indicator blinks and the Timer indicator (●) lights up on the display.

2 Press the SET button on the Unit.

“ON” appears on the display. The Timer indicator (●) and the “DAILY” indicator remain lit, and the display returns to the original display.

Note

- If the System is unplugged, or a power failure occurs, the timer setting will be lost in a few days. You will need to reset the clock first, then the timer.

Setting the REC (Recording) Timer

With the Recording Timer, you can make a tape of a radio broadcast automatically whether or not you are home.

Notes

- You can set the REC Timer whether the System is on or off.
- Perform each setting within approx. 30 seconds. Otherwise, setting will be cleared and the procedure must be repeated from the beginning.
- If you have made a mistake while setting the timer, press the CANCEL button on the Unit. However, this does not always cancel the current setting. If the CANCEL button does not work, press the CLOCK/TIMER button on the Unit repeatedly until the display returns to the original display, and start from the first step.

Using the Timers

Using the Unit

You can set the time in the same way as for setting the Daily Timer.

1 Insert a blank or erasable tape into the Deck B and wind past the tape leader.

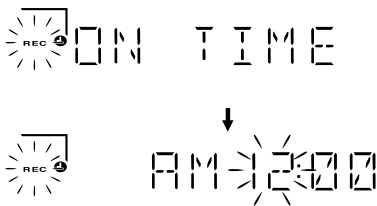
2 Press the CLOCK/TIMER button until "ON TIME" immediately after "REC" appears on the display.

The Timer indicator (●) lights and the "REC" indicator blinks.

Each time you press the button, the display changes as follows: DAILY → ON TIME → REC → ON TIME* → Clock setting display → Canceled → (back to the beginning)

*: This item should be selected for the REC Timer setting.

Then, the System enters ON-time setting mode. The current ON time appears on the display and the hour digits blink.



3 Setting the ON time you want the System to turn on.

1. Press the ◀◀ or ▶▶ button to set the hour, then press the SET button.
2. Press the ◀◀ or ▶▶ button to set the minute, then press the SET button.

"OFF TIME" appears and then the System enters OFF-time setting mode. The current OFF time appears on the display, and the hour digits blink.

4 Setting the OFF time you want the System to turn off.

1. Press the ◀◀ or ▶▶ button to set the hour, then press the SET button.
2. Press the ◀◀ or ▶▶ button to set the minute, then press the SET button.

The System enters Preset Station Entering mode.

5 Select the preset station for recording.

1. Press the ◀◀ or ▶▶ button to set the band (TUNER FM or TUNER AM), then press the SET button.
2. Press the ◀◀ or ▶▶ button to set the preset number, then press the SET button.

6 Setting the volume level.

Press the ▶▶ or ◀◀ button to select the volume level.

VOL -- : The current volume level will be used.

MIN, 1-31, or MAX: When the timer is turned on, the Volume will be automatically set to the selected level.



7 Press the SET button.

The timer setting is completed and the display returns to the display before you set the Timer.

8 Press the ⏻/STANDBY/ON button to turn off the System, if necessary.

The Timer indicator (●) and "REC" indicator are lit on the display, showing that the Rec Timer is set to on.

To confirm / change the timer setting, repeat the setting procedure from the beginning.

When the timer ON-time comes:

- When the timer ON-time comes, the System automatically turns on. The station you have set is played. The Timer indicator (●) blinks during timer operation. To stop timer recording, press the ■ button.
- When the timer OFF-time comes, the System automatically turns off.

Note

- If the System is already on when the timer ON-time comes, the REC Timer does not work.

Turning the REC (Recording) Timer On and Off

Once you have set the REC Timer to record a source, the timer setting is stored in memory. So, though the REC Timer turns off once it is used, you can recall it at any time.

To cancel the REC Timer temporarily:

1 Press the CLOCK/TIMER button on the Unit repeatedly until "REC" appears on the display.

2 Press the CANCEL button on the Unit.

"OFF" appears and both the Timer indicator (●) and the "REC" indicator go out.

To activate the cancelled REC Timer:

1 Press the CLOCK/TIMER button on the Unit repeatedly until "REC" appears on the display.

The Timer indicator (●) lights and the "REC" indicator blinks on the display.

2 Press the SET button on the Unit.

"ON" appears on the display. The Timer indicator (●) and the "REC" indicator remain lit, and the display returns to the original display.

Note

- If the System is unplugged, or a power failure occurs, the timer setting will be lost in a few days. You will need to reset the clock first, then the timer.

Setting the SLEEP Timer

Use the Sleep Timer to turn the System off after a certain number of minutes when it is playing. By setting the Sleep Timer, you can fall asleep to music and know that your System will turn off by itself rather than play all night.

- You can only set the Sleep Timer when the System is on.

Using the Remote Control

1 During playback a source, press the SLEEP button.

The "SLEEP" indicator starts blinking on the display.

2 Set the length of time you want the source to play before shutting off.

Each time you press the SLEEP button, the time length changes as follows:

10 → 20 → 30 → 60 → 90 → 120 → OFF → (back to the beginning)



3 Wait for 5 seconds.

The "SLEEP" indicator stops blinking and remains lit, and the display returns to the original one before setting the Sleep Timer.

The System is now set to turn off after the number of minutes you have set.

To Confirm the Sleep Time:

When the SLEEP button on the Remote Control is pressed, the remaining sleep time is displayed. Wait until the display returns to the original display.

To Cancel the SLEEP Timer Setting:

Press the SLEEP button on the Remote Control until the "SLEEP" indicator goes out on the display.

- Turning off the System also cancels the SLEEP Timer.



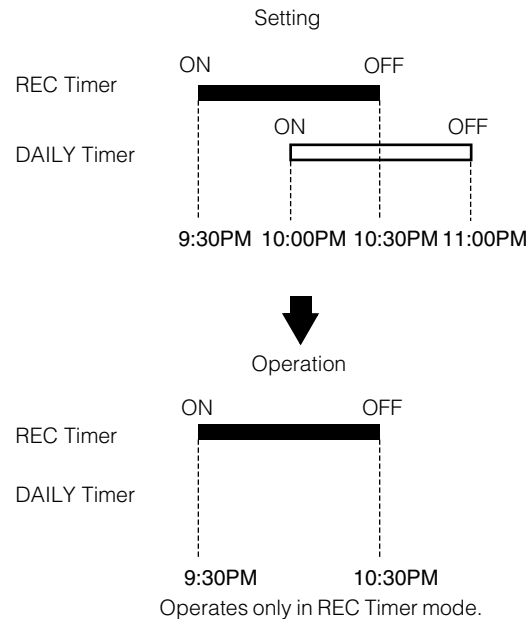
- When the REC Timer or the DAILY Timer is operating, SLEEP Timer can not be set.

Timer Priority

Since REC Timer and DAILY Timer can be set independently, you may wonder what happens if the settings overlap. Here are the priorities for REC Timer and DAILY Timer:

- Timer with the earlier time setting will have the priority. Timer will not operate when other Timer is operating.
 - If other Timer is set to an exact same time as the REC Timer, the REC Timer will have the priority.
- REC Timer and DAILY Timer will not operate when SLEEP Timer is operating.

Example



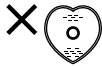
Care And Maintenance

Handle your CDs and tapes carefully, and they will last a long time.

Compact Discs



- Only CDs bearing these marks can be used with this System. However, continued use of irregular shape CDs (heart-shape, octagonal, etc.) can damage the System.



- Caution for DualDisc playback
The Non-DVD side of a "DualDisc" does not comply with the "Compact Disc Digital Audio" standard. Therefore, the use of Non-DVD side of a DualDisc on this product may not be recommended.



- Remove the CD from its case by holding it at the edges while pressing the case's center hole lightly.
- Do not touch the shiny surface of the CD, or bend the CD.



- Put the CD back in its case after use to prevent warping.
- Be careful not to scratch the surface of the CD when placing it back in the case.
- Avoid exposure to direct sunlight, temperature extremes, and moisture.



- A dirty CD may not play correctly. If a CD does become dirty, wipe it with a soft cloth in a straight line from center to edge.

CAUTION:

- Do not use any solvent (for example, conventional record cleaner, spray thinner, benzene, etc.) to clean a CD.

General Notes

In general, you will have the best performance by keeping your CDs and the mechanism clean.

- Store CDs in their cases, and keep them in cabinets or on shelves.
- Keep the System's Top Cover closed when not in use.

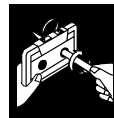
Moisture Condensation

Moisture may condense on the lens inside the System in the following cases:

- After turning on heating in the room.
- In a damp room.
- If the System is brought directly from a cold to a warm place.

Should this occur, the System may malfunction. In this case, leave the System turned on for a few hours until the moisture evaporates, unplug the AC power cord, and then plug it in again.

Cassette Tapes



- If the tape is loose in its cassette, take up the slack by inserting a pencil in one of the reels and rotating.
- If the tape is loose, it may get stretched, cut, or caught in the cassette.



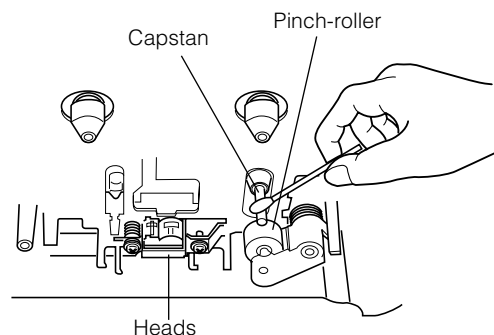
- Do not touch the tape surface.



- Do not store the tape:
 - In dusty places
 - In direct sunlight or heat
 - In moist areas
 - On a TV or speaker
 - Near a magnet

Cassette Deck

- If the heads, capstans, and pinch-rollers of the Cassette Deck become dirty, the following will occur:
 - Loss of sound quality
 - Discontinuous sound
 - Fading
 - Incomplete erasure
 - Difficulty recording
- Clean the heads, capstans, and pinch-rollers using a cotton swab moistened with alcohol.



- If the heads become magnetized, the Unit will produce noise or lose high frequencies.
- To demagnetize the heads, turn off the Unit, and use a head demagnetizer (available at electronics and record shops).

Troubleshooting

- If you are having a problem with your System, check this list for a possible solution before calling for service.
- If you cannot solve the problem from the hints given here, or the System has been physically damaged, call a qualified person, such as your dealer, for service.

| Symptom | Possible Cause | Action |
|---|---|--|
| No sound is heard. | <ul style="list-style-type: none"> • Connections are incorrect, or loose. • Headphones are connected. | <ul style="list-style-type: none"> • Check all connections and make corrections. (See pages 4 to 6.) • Disconnect the headphones. |
| Poor radio reception | <ul style="list-style-type: none"> • The antenna is disconnected. • The AM Loop Antenna is too close to the System. • The FM Wire Antenna is not properly extended and positioned. | <ul style="list-style-type: none"> • Reconnect the antenna securely. • Change the position and direction of the AM Loop Antenna. • Extend FM Wire Antenna to the best reception position. |
| The disc tray does not open. | <ul style="list-style-type: none"> • The AC power cord is not plugged in. • Tray is locked. | <ul style="list-style-type: none"> • Plug the AC power cord. • Unlock the tray. (See page 15.) |
| The CD skips. | The CD is dirty or scratched. | Clean or replace the CD. (See page 25.) |
| The CD does not play. | The CD is upside down. | Put the CD in with the label side up. |
| The MP3 disc does not play. | <ul style="list-style-type: none"> • No MP3 files are recorded on the disc. • MP3 files do not have the file extension — .MP3, .Mp3, .mP3, or .mp3 in thier file names. • MP3 files are not recorded in the format compliant with ISO 9660 Level 1 or Level 2. | Replace the disc. |
| The readout time of the MP3 disc is too long. | The readout time varies with the complexity of the recording configuration. | Do not use too many hierarchies and folders when recording. Also, do not record any other types of audio tracks together with MP3 files. (See page 11.) |
| The cassette holder cannot be opened. | During tape playing, the power cord was unplugged. | Plug in the power cord, and turn on the System. |
| Unable to record. | Cassette record protect tabs are removed. | Cover holes on back edge of cassette with tape. |
| Unable to operate the Remote Control. | <ul style="list-style-type: none"> • The path between the Remote Control and the sensor on the Unit is blocked. • The batteries have lost their charge. | <ul style="list-style-type: none"> • Remove the obstruction. • Replace the batteries. |
| Operations are disabled. | The built-in microprocessor has malfunctioned due to external electrical interference. | Unplug the System then plug it back in. |

Specification

| | |
|--|--|
| Amplifier | |
| Output Power | 180 W per channel, min. RMS, driven into 6 Ω at 1kHz, with no more than 10% total harmonic distortion |
| Input Sensitivity/Impedance (1 kHz) | |
| AUX IN | 400 mV/50 k Ω |
| Speaker terminals | 6 - 16 Ω |
| Phones | 32 Ω - 1 k Ω |
| | 15 mW/ch output into 32 Ω |
| Cassette Deck Section | |
| Frequency Response | |
| Type I (NORMAL) | 63 Hz - 12 500 Hz |
| Wow And Flutter | 0.15% (WRMS) |
| CD Player | |
| CD Capacity | 3 CDs |
| Dynamic Range | 85 dB |
| Signal-To-Noise Ratio | 85 dB |
| Wow And Flutter | Unmeasurable |
| Tuner | |
| FM Tuner | |
| Tuning Range | 87.5 MHz - 108.0 MHz |
| AM Tuner | |
| Tuning Range | 530 kHz - 1 710 kHz |
| Unit | |
| Dimensions | 270 mm \times 306 mm \times 456mm (W/H/D) (10-11/16" \times 12-1/16" \times 18") |
| Mass | Approx. 8.6 kg (19.0 lbs) |

Speaker Specifications (each unit)

| | |
|-----------------------------|--|
| | SP-MXKC4 |
| Type | 3-way bass-reflex type |
| Speaker Unit | Woofer: 16 cm (6-5/16") cone \times 1 Mid: 5cm (2") cone \times 1 Tweeter: 2 cm (13/16") dome \times 1 |
| Power Handling Capacity | 180 W |
| Impedance | 6 Ω |
| Frequency Range | 45 Hz - 22 000 Hz |
| Sound pressure level | 87 dB/W-m |
| Dimensions | 266 mm \times 333 mm \times 241 mm (W/H/D) (10-1/2" \times 13-1/8" \times 9-1/2") |
| Mass | Approx. 3.9 kg (8.6 lbs) |
| Accessories | |
| | AM Loop Antenna (1) |
| | Remote Control (1) |
| | Batteries R6P (SUM-3)/AA (15F) (2) |
| | FM Wire Antenna (1) |
| Power Specifications | |
| Power Requirements | AC 120 V \sim , 60 Hz |
| Power Consumption | 150 W (power on mode) 22 W (in Standby mode) |

Design and specifications are subject to change without notice.

Introduction

Merci d'avoir fait l'acquisition de le système compacte par éléments de JVC.

Nous espérons qu'elle apportera un plus considérable à votre foyer et que vous pourrez en profiter pendant de nombreuses années.

Veuillez lire attentivement le présent manuel d'utilisation avant de faire fonctionner votre nouvelle système stéréo.

Vous y trouverez toutes les informations nécessaires pour l'installation et l'utilisation de le système.

En cas de question à laquelle vous ne trouveriez pas de réponse dans le présent manuel, veuillez prendre contact avec votre revendeur.

Fonctions

Voici certains des éléments qui donnent toute sa puissance à votre système et la rendent facile à utiliser.

- Les commandes et opérations ont été réétudiées pour les rendre très simples à utiliser, vous libérant ainsi de toutes les contraintes pour pouvoir apprécier la musique en toute liberté.
 - La fonction COMPU PLAY de JVC permet de mettre le système sous tension et d'allumer automatiquement la radio, la platine à cassette ou le lecteur CD en enfonçant une seule touche.



- De grands effets SEA (amplificateurs d'effets sonores) Rock, Pop et Classique sont prévus.
- RHYTHM AX offre une grande richesse du son, même à de faibles niveaux sonores.
- Possibilité de présélection de 45 stations (30 FM et 15 AM) en plus des fonctions de recherche automatique et manuelle.
- Fonction de changeur de CD qui permet de charger jusqu'à 3 disques.
 - Possibilité de changer les disques pendant la lecture grâce au tiroir Carrousel (tiroir rotatif).
 - Lecture en continu, aléatoire ou programmée de trois disques.
- Deux platines permettent le doublage de cassettes.
- Fonctions de minuterie: minuterie quotidienne, minuterie REC (enregistrement) et minuterie Bonsoir.
- Vous pouvez y raccorder plusieurs éléments externes comme un enregistreur MD.
- Le Lecteur CD peut lire les CD-R et les CD-RW.

Structure du manuel

- Les informations de base identiques pour plusieurs fonctions différentes - par ex. réglage du volume - sont reprises dans la section "Opérations de base" et ne sont pas répétées pour chacune des fonctions.
- Les noms des touches/contrôles et les messages de l'affichage sont écrits en majuscules: par ex. FM/AM, "NO DISC".
- Si les noms des touches de l'appareil et de la télécommande sont identiques, la description de l'emplacement de la touche (sur l'appareil ou sur la télécommande) est omise.
- Les fonctions du système sont écrites avec une majuscule initiale uniquement: par ex. Lecture Normale.

Utiliser la table des matières pour rechercher toute information requise.

Nous avons pris du plaisir à réaliser ce manuel pour vous et nous espérons qu'il vous servira pour profiter des nombreuses fonctions intégrées à votre système.

PRECAUTIONS IMPORTANTES

1 Installation de le système

- Sélectionner un endroit horizontal, sec et ni trop chaud ni trop froid. (Entre 5°C et 35°C ou 41°F et 95°F.)
- Laisser suffisamment d'espace entre le système et un téléviseur.
- Ne pas utiliser le système dans un endroit soumis à des vibrations.

2 Cordon d'alimentation

- Ne jamais manipuler le cordon d'alimentation avec les mains humides!
- Le système consomme toujours un minimum d'énergie tant que le cordon d'alimentation est branché à une prise secteur.
- Pour débrancher le système de la prise secteur, toujours tirer sur la fiche et non sur le cordon d'alimentation.

3 Dysfonctionnements, etc.

- Ce système ne contient pas d'éléments internes accessibles à l'utilisateur. En cas de panne, débrancher le cordon d'alimentation et contacter le revendeur.
- Ne jamais insérer d'objets métalliques dans le système.

Table des matières

| | |
|---|-----------|
| Introduction | 1 |
| Fonctions | 1 |
| Structure du manuel..... | 1 |
| PRECAUTIONS IMPORTANTES..... | 1 |
| Table des matières | 2 |
| Introduction | 3 |
| Accessoires | 3 |
| Comment insérer les piles dans la télécommande | 3 |
| Utilisation de la télécommande | 3 |
| Raccordement de l'antenne FM | 4 |
| Branchement de l'antenne AM | 5 |
| Branchement des enceintes acoustiques | 5 |
| Branchement d'équipements externes..... | 6 |
| Raccordement à une prise secteur | 6 |
| Mode DEMO | 6 |
| COMPU PLAY..... | 6 |
| Opérations de base | 7 |
| Mise sous et hors tension..... | 7 |
| Réglage du volume | 7 |
| Fonction de fondu (FADE MUTING)..... | 8 |
| Prenez plaisir à une grande puissance sonore (RHYTHM AX) | 8 |
| Sélection du mode son (SOUND MODE)..... | 8 |
| Saisie du numéro avec la télécommande (touches numériques) | 8 |
| Utilisation du tuner..... | 9 |
| Recherche d'un émetteur..... | 9 |
| Présélection des stations | 10 |
| Pour changer de mode de réception FM..... | 10 |
| Utilisation du lecteur CD..... | 11 |
| Pour charger des CD..... | 12 |
| Pour retirer les CD..... | 12 |
| Changement du mode de lecture d'un MP3 | 12 |
| Notions de base pour l'utilisation du lecteur CD - Lecture normale | 13 |
| Programmation de l'ordre de lecture des plages | 14 |
| Lecture aléatoire | 15 |
| Répétition des plages | 15 |
| Fonction de verrouillage du tiroir..... | 15 |
| Utilisation de la platine à cassette (écoute d'une cassette) | 16 |
| Ecoute d'une cassette | 16 |
| Utilisation de la platine à cassette (enregistrement) | 17 |
| Enregistrement normal | 18 |
| Enregistrement synchronisé de CD | 18 |
| Enregistrement de cassette à cassette (DUBBING) | 18 |
| Branchement d'équipements externes | 19 |
| Ecoute d'équipements externes..... | 19 |
| Utilisation des minuteries..... | 20 |
| Réglage de l'horloge | 20 |
| Correction du temps d'horloge..... | 20 |
| Réglage de la minuterie quotidienne | 21 |
| Programmation de la minuterie REC (Enregistrement) | 22 |
| Programmation de la minuterie SLEEP..... | 24 |
| Priorité des minuteries..... | 24 |
| Nettoyage et entretien..... | 25 |
| Guide de dépannage | 26 |
| Spécifications techniques | 26 |

Introduction

Accessoires

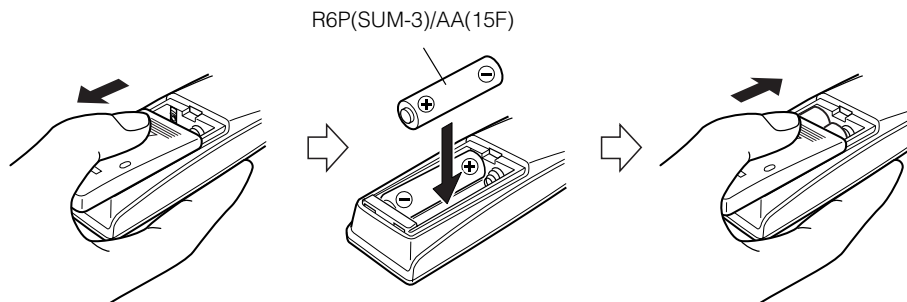
Vérifier si vous avez bien reçu tous les éléments suivants, livrés avec le système.

- Antenne cadre AM (1)
- Fil d'antenne FM (1)
- Télécommande (1)
- Piles (2)

Si un de ces éléments devait manquer, contacter immédiatement le revendeur.

Comment insérer les piles dans la télécommande

Faire correspondre la polarité (+ et -) des piles avec les repères + et - du logement des piles.



ATTENTION:

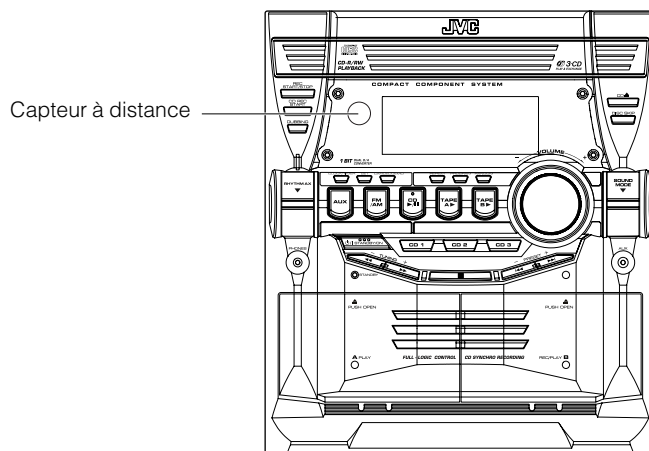
- Manipuler les piles correctement.

❑ Pour éviter tout risque de fuite des piles ou d'explosion:

- Retirer les piles lorsque vous ne comptez pas utiliser la télécommande pendant un certain temps.
- Lorsque les piles doivent être remplacées, les remplacer toutes les deux en même temps par des piles neuves.
- Ne jamais utiliser une pile usagée avec une pile neuve.
- Ne jamais mélanger différents types de piles.

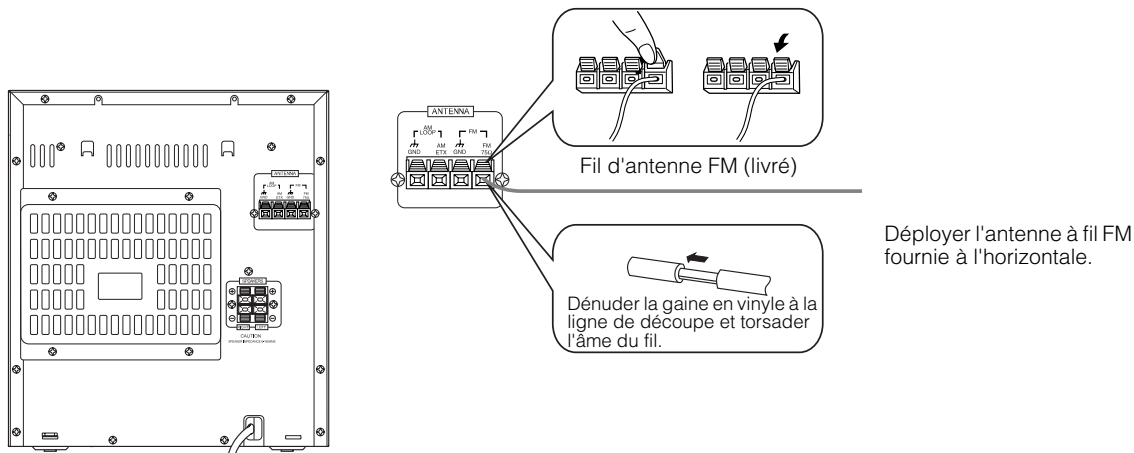
Utilisation de la télécommande

La télécommande facilite l'utilisation de la plupart des fonctions de le système jusqu'à une distance de 7 m (23 pieds). Diriger la télécommande vers le capteur situé sur la face avant de le système.

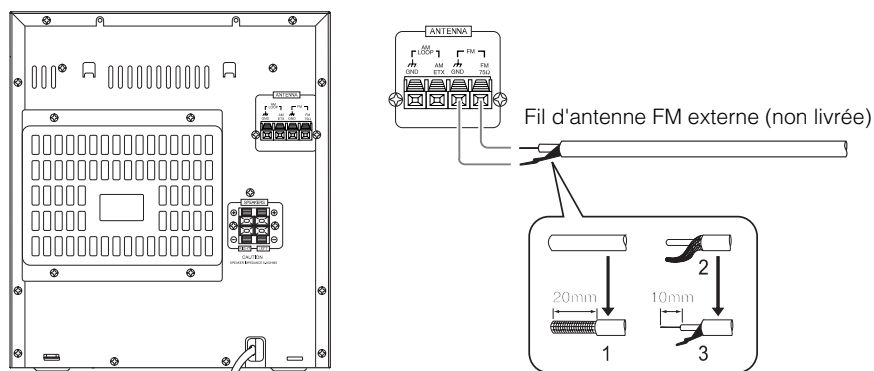


ATTENTION:

- Effectuer tous les branchements avant de raccorder le système à une prise secteur.

Raccordement de l'antenne FM**Utilisation du fil d'antenne livré****Utilisation d'un fil d'antenne FM 75 ohms (non livré)**

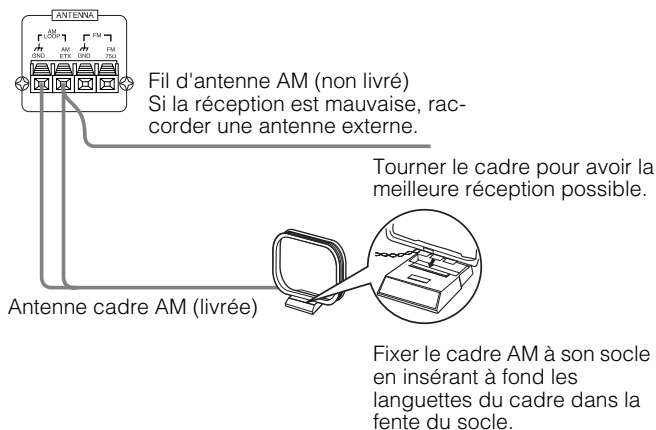
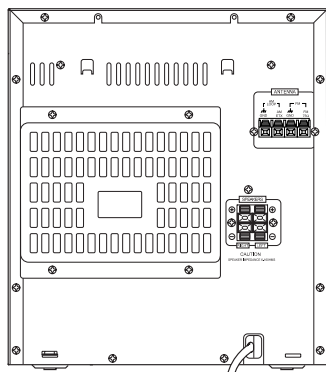
Si la réception est mauvaise, raccorder l'antenne externe.

**Remarque**

- Avant de fixer le câble coaxial de 75 ohms (du genre avec un fil rond menant à l'antenne extérieure), débrancher le fil d'antenne FM livré.

Branchement de l'antenne AM

Dos de l'appareil



Remarque

- En cas de raccordement d'une antenne AM extérieure, laisser l'antenne cadre AM branchée.

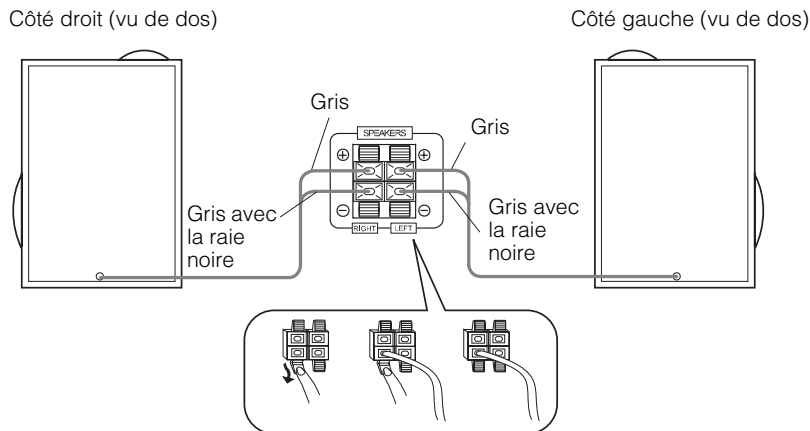
ATTENTION:

- Pour éviter les interférences, tenir les antennes éloignées de le système, du cordon de connexion et du cordon d'alimentation secteur.

Branchement des enceintes acoustiques

Raccorder le haut-parleur droit à la prise de haut-parleur RIGHT, et le haut-parleur gauche à la prise de haut-parleur LEFT. "Right" / "Left" sont indiqués au dos des haut-parleurs.

1. Ouvrir chacune des bornes pour raccorder les fils des haut-parleurs.
2. Raccorder les câbles des haut-parleurs aux sorties pour haut-parleurs de le système.
Raccorder les fils gris (+) et gris avec le raie noire (-) du haut-parleur de droite aux bornes rouge (+) et noire (-) marquées RIGHT (DROITE) sur le système.
Raccorder les fils gris (+) et gris avec le raie noire (-) du haut-parleur de gauche aux bornes rouge (+) et noire (-) marquées LEFT (GAUCHE) sur le système.
3. Refermer chacune des bornes.



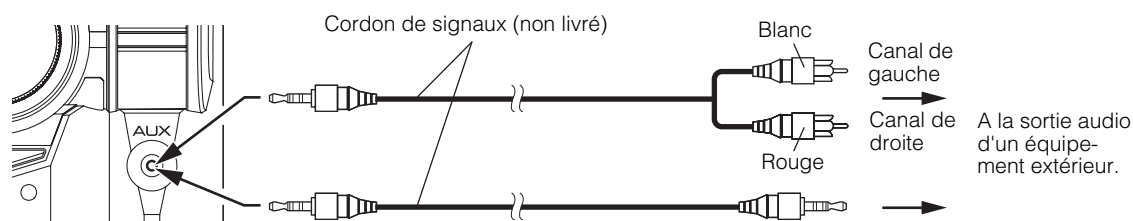
PRECAUTIONS:

- Les couleurs d'un téléviseur peuvent être déformées s'il est situé trop près des haut-parleurs. Dans ce cas, éloigner les haut-parleurs du téléviseur.
- Utiliser uniquement des enceintes acoustiques d'une impédance correcte. L'impédance correcte est indiquée sur le panneau arrière.

Branchement d'équipements externes

Raccorder un câble de signaux avec les mini-fiches stéréos (non livrées) entre les jacks AUX du système sur le panneau frontal et le jack de sortie audio ou les bornes de sortie du CD portable, du lecteur MD, du STB, etc.

Vous pouvez alors écouter cette source externe par le système.



Raccordement à une prise secteur

Brancher le cordon d'alimentation secteur dans la prise.

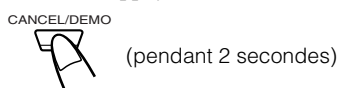
Le système est à présent à vos ordres!

Mode DEMO

Lors du branchement de le système à une prise secteur, le mode DEMO affiche automatiquement certaines des fonctions de le système.

Pour éteindre l'affichage DEMO, appuyer sur une des touches de fonctionnement. L'affichage DEMO se coupe automatiquement.

Pour activer l'affichage DEMO, appuyer sur la touche DEMO de l'appareil pendant plus de deux secondes.



Remarque

- Lorsque vous mettez le système sous tension, l'affichage DEMO réapparaît automatiquement si aucune touche de fonctionnement n'est sollicitée pendant plus de deux minutes. Pour annuler cette fonction d'affichage DEMO automatique, appuyer sur la touche CANCEL sur l'appareil pendant l'affichage DEMO.

COMPU PLAY

La fonction COMPU PLAY de JVC permet de contrôler les fonctions de le système le plus souvent utilisées en appuyant sur une seule touche.

Ces opérations à une touche permettent d'écouter un CD, une cassette, d'allumer la radio ou d'écouter un équipement externe en appuyant simplement sur la touche de lecture correspondant à cette fonction. Les opérations à une touche mettent l'appareil sous tension et démarrent la fonction spécifiée. Si le système n'est pas prête (pas de CD ou de cassette en place), elle se met malgré tout sous tension afin que vous puissiez insérer un CD ou une cassette.

Le fonctionnement de chaque cas d'opération à une touche se trouve expliqué dans le chapitre qui traite de cette fonction.

Les touches COMPU PLAY sont:

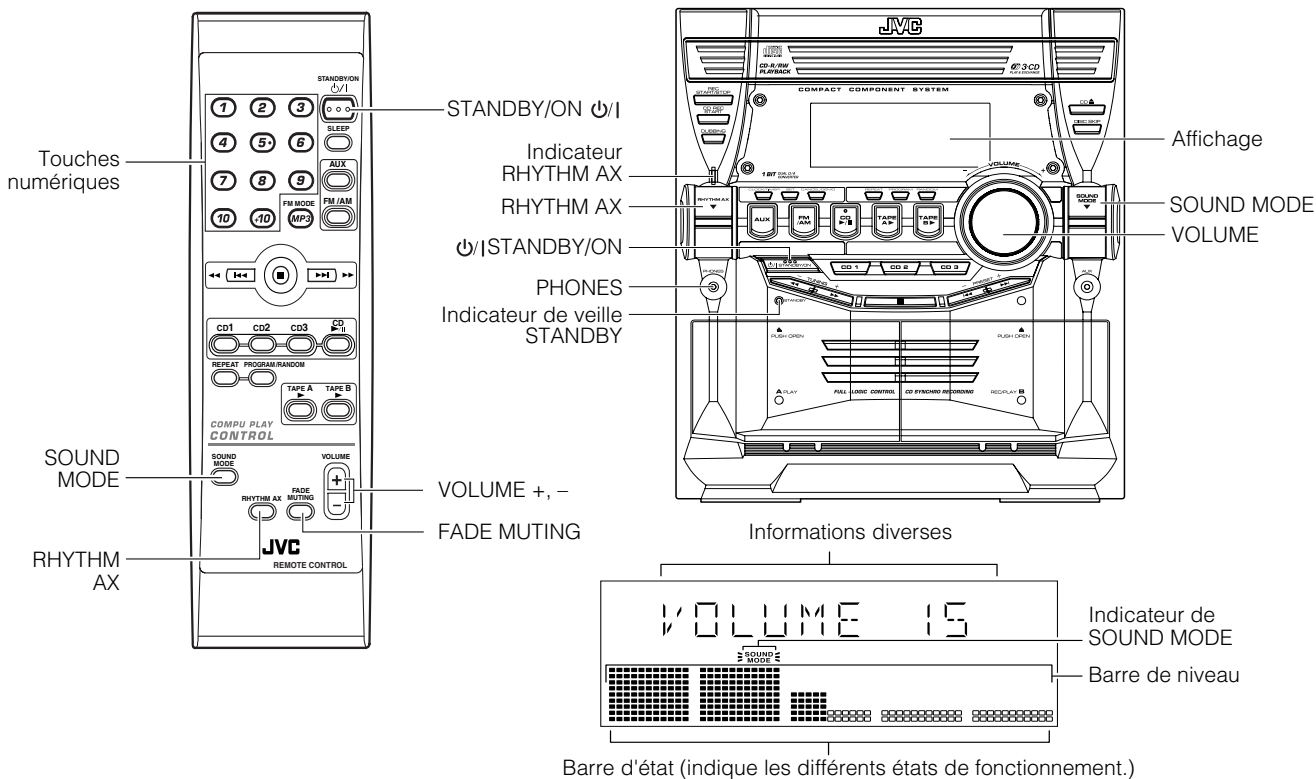
Sur l'appareil

- Touche CD ►/||
- Touche FM/AM
- Touches TAPE A ►, TAPE B ►
- Touche AUX
- Touches CD1, CD2 et CD 3
- Touche CD Ouvrir/Fermer ▲

Sur la télécommande

- Touche CD ►/||
- Touche FM/AM
- Touches TAPE A ►, TAPE B ►
- Touche AUX
- Touches CD1, CD2 et CD 3

Opérations de base



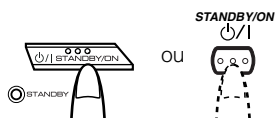
Barre d'état (indique les différents états de fonctionnement.)

* Lors de l'utilisation de le système, l'affichage indique également d'autres informations. Par souci de simplicité, nous ne montrons ici que les éléments décrits dans cette section.

Mise sous et hors tension

Mise sous tension de le système

1 Appuyer sur la touche O/I STANDBY/ON.



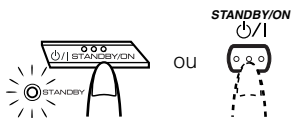
L'affichage s'allume et l'indication "POWER ON" apparaît. L'indicateur de veille STANDBY s'éteint.

Le système se met sous tension et est prête à continuer dans le mode sélectionné lors de sa dernière mise hors tension.

- Par exemple, si la dernière opération effectuée consistait à écouter un CD, elle est à présent prête pour réécouter un CD. Si vous le souhaitez, vous pouvez sélectionner une autre source.
- Si vous avez écouté le tuner en dernier lieu, la radio s'allume et vous entendez l'émetteur sur lequel elle a été réglée en dernier lieu.

Mise hors tension de le système

2 Réappuyer sur la touche O/I STANDBY/ON.



"GOOD BYE" apparaît et l'affichage s'éteint, à l'exception de celui de l'horloge. L'indicateur de veille STANDBY s'allume. (L'affichage est assombri.)

- Les éléments consomment toujours un peu d'énergie même lorsque l'alimentation est coupée (et qu'ils sont mis dans ce que l'on appelle le mode de veille).
- Pour éteindre complètement le système, débrancher le cordon d'alimentation secteur de la prise. Lorsque vous débranchez le cordon de la prise, l'horloge se remet immédiatement sur AM 12:00.

Réglage du volume

Tourner la commande VOLUME de l'appareil dans le sens horlogique pour augmenter le volume ou dans le sens anti-horlogique pour le diminuer.

Appuyer sur la touche VOLUME + de la télécommande pour augmenter le volume ou sur la touche VOLUME - de la télécommande pour le diminuer.

VOLUME 15

Vous pouvez régler le niveau du volume sur MIN, 1-31 ou MAX.

Remarque

- Lorsque vous mettez l'alimentation hors tension à un niveau de volume supérieur à 19, le niveau du volume sera automatiquement réglé sur 18 lorsque l'alimentation est remise sous tension.

ATTENTION:

- **NE JAMAIS** mettre le système sous tension et/ou démarrer la lecture sur un des équipements sans avoir réglé au préalable la commande de VOLUME sur le minimum; une explosion sonore soudaine pourrait en effet endommager votre ouïe, les haut-parleurs et/ou le casque d'écoute.

Pour une écoute personnelle

Brancher un casque d'écoute dans la prise PHONES. Aucun son n'est alors diffusé par les haut-parleurs.

Veiller à toujours régler le volume au minimum avant de brancher ou de coiffer un casque d'écoute.

Fonction de fondu (FADE MUTING)

Vous pouvez assourdir la diffusion sonore par le biais d'une opération à une touche.

Pour couper la diffusion du son, appuyer sur la touche FADE MUTING de la télécommande. Le son est alors fondu.

Pour supprimer l'assourdissement, réappuyer sur la touche FADE MUTING. La diffusion sonore revient progressivement à son niveau préalable.

- Après la coupure graduelle du son, tourner la commande du VOLUME sur l'appareil ou appuyer sur la touche VOLUME de la télécommande pour augmenter le volume provenant du niveau précédent.

Prenez plaisir à une grande puissance sonore (RHYTHM AX)

L'utilisation de RHYTHM AX, vous permettra d'expérimenter l'écoute d'une intensité de battements de frappes plus accentuée, même à de faibles niveaux sonores.

RHYTHM AX fonctionne aussi même lorsque le chant n'a pas de "battements", telle que la musique classique. De telle sorte que vous pouvez écouter une très riche sonorité, même à de faibles niveaux sonores.

Cette fonction n'affecte que le son d'une lecture et non votre enregistrement.

Appuyer sur la commande RHYTHM AX.

"RHYTHM AX" apparaît et l'affichage revient au mode de sélection de la source musicale.

- Chaque fois que vous appuyez sur la commande, RHYTHM AX se met alternativement en circuit et hors circuit.
- Le témoin de RHYTHM AX s'allume aussi.



Si vous utilisez la télécommande, appuyez sur RHYTHM AX.

- Chaque fois que vous appuyez sur la touche, RHYTHM AX se met alternativement en circuit et hors circuit.

Remarque

- Chaque fois que vous mettez sous tension et hors tension RHYTHM AX, vous entendrez une discontinuité dans la lecture.

Sélection du mode son (SOUND MODE)

Vous pouvez choisir parmi trois modes SEA (amplificateurs d'effets sonores).

Cet effet peut uniquement être utilisé pour la lecture.

Pour obtenir plus d'effet, appuyez sur la touche SOUND MODE jusqu'à ce que le mode du son sélectionné apparaisse sur l'affichage.

L'indicateur "SOUND MODE" correspondant au mode son sélectionné clignote.

Chaque fois que vous appuyez sur la touche, le mode son change comme suit:

ROCK → POP → CLASSIC → FLAT → (retour au début)

Pour annuler l'effet, appuyez sur la touche SOUND MODE jusqu'à ce que "FLAT" s'affiche.

L'indicateur "SOUND MODE" s'éteint.

| | |
|----------------|---|
| ROCK | Accentue les basses et les hautes fréquences. Convient à la musique acoustique. |
| POP | Convient à la musique vocale. |
| CLASSIC | Convient pour les systèmes stéréo dynamiques et à large spectre. |
| FLAT | Pas d'application d'effet sonore. |

Saisie du numéro avec la télécommande (touches numériques)

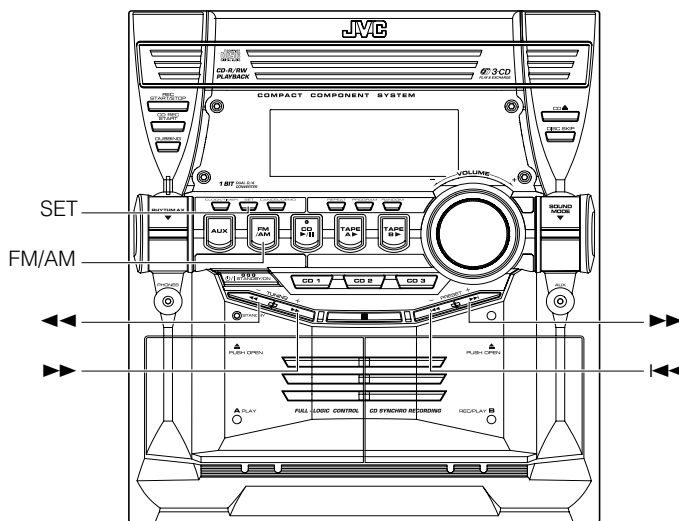
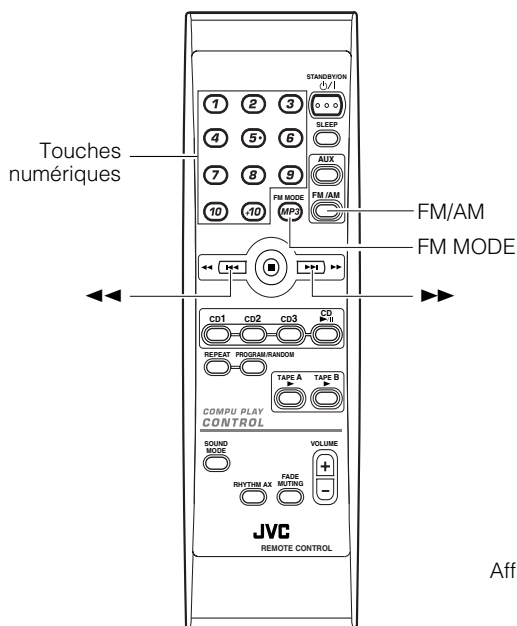
Utiliser les touches numériques de la télécommande pour saisir les numéros en vue de présélectionner les émetteurs, de rappeler les émetteurs présélectionnés ou de programmer les plages à lire sur les CD.

Nous expliquons ici comment saisir les numéros à l'aide des touches numériques.

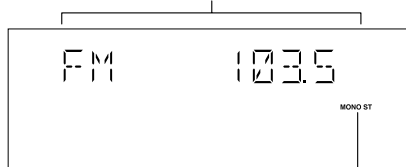
Exemples:

- Pour entrer le numéro 5, appuyer sur 5.
- Pour entrer le numéro 15, appuyer sur +10 puis sur 5.
- Pour entrer le numéro 20, appuyer sur +10 puis sur 10.
- Pour entrer le numéro 25, appuyer deux fois sur +10 puis sur 5.

Utilisation du tuner



Affichage de bande, affichage de fréquence, station présélectionnée



Indicateurs du mode FM

* Lors de l'utilisation de le système, l'affichage indique également d'autres informations. Par souci de simplicité, nous ne montrons ici que les éléments décrits dans cette section.

Vous pouvez écouter des émetteurs radio en FM et en AM. Vous pouvez rechercher les stations manuellement, automatiquement ou à partir de présélections mémorisées.

□ Avant d'écouter la radio:

- Vérifier si les antennes FM et AM sont correctement branchées. (Voir pages 4 et 5.)

Fonction une touche pour la radio

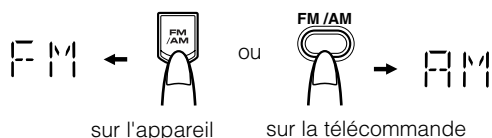
Il suffit d'appuyer sur la touche FM/AM pour mettre le système sous tension et démarrer l'écoute de la dernière station émettrice sintonisée.

- Vous pouvez passer de n'importe quelle autre source sonore à la radio en appuyant sur la touche FM/AM.

Recherche d'un émetteur

1 Appuyer sur la touche FM/AM.

La bande et la fréquence sélectionnées en dernier s'affichent. (Si la dernière station avait été sélectionnée par son numéro de présélection, ce numéro apparaît en premier.) Chaque fois que vous appuyez sur la touche, la bande alterne entre FM et AM.



2 Sélectionner un émetteur en utilisant une des méthodes suivantes.

• Recherche manuelle

Appuyer brièvement sur les touches ◀◀ ou ▶▶ de l'appareil pour changer de fréquence jusqu'à ce que vous localisiez l'émission souhaitée.

OU

• Recherche automatique

Si vous maintenez enfoncée la touche ◀◀ ou ▶▶ pendant une seconde ou plus puis que vous la relâchez, la fréquence change automatiquement vers le bas ou vers le haut jusqu'à la localisation d'une station.

OU

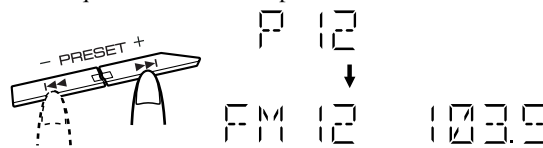
• Recherche de présélections (Possible uniquement après la mémorisation des stations)

Recherche des présélections à l'aide de l'appareil:

Sélectionner le numéro de présélection souhaité à l'aide des touches ◀◀ ou ▶▶.

Exemple:

Appuyer sur la touche ▶▶ jusqu'à ce que le numéro de présélection "P12" s'affiche. Alors, l'affichage indique la bande et la fréquence du numéro de présélection.



Recherche des présélections à l'aide de la télécommande:

Entrer le numéro de présélection à rappeler à l'aide des touches numériques. Voir "Saisie du numéro avec la télécommande" à la page 8.

Exemple:

Appuyer sur +10, puis sur 2 pour rappeler le numéro de présélection 12. Alors, l'affichage indique la bande et la fréquence du numéro de présélection.

Remarque

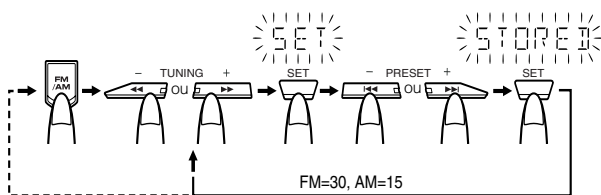
- En mode d'émission AM, vous pouvez changer la sensibilité de la réception en tournant l'antenne cadre AM. Tourner l'antenne cadre AM de manière à obtenir la meilleure réception possible.

Présélection des stations

Vous pouvez présélectionner jusqu'à 30 stations FM et 15 stations AM.

Remarques

- Des numéros de présélections peuvent avoir été réglés sur des fréquences de test à l'usine avant le transport. Il ne s'agit pas d'une anomalie. Vous pouvez présélectionner les stations souhaitées en suivant une des méthodes de présélection indiquées ci-dessous.
- Pendant la présélection des stations, si aucune touche n'est sollicitée pendant 5 secondes, l'affichage de bande/fréquence reparait. Dans ce cas, répéter les opérations depuis le début.



Lors du changement de bande

Sur l'appareil

- 1 Sélectionner une bande en appuyant sur la touche FM/AM.**
- 2 Appuyer sur les touches ◀◀ ou ▶▶ pour localiser un émetteur.**
- 3 Appuyer sur la touche SET.**
L'indication "SET" clignote pendant 5 secondes.
- 4 Pendant que "SET" est en train de clignoter, appuyer sur la touche ◀◀ ou ▶▶ pour sélectionner le numéro présélectionné.**
▶▶: Augmente le numéro de présélection d'une unité.
◀◀: Diminue le numéro de présélection d'une unité.
- 5 Appuyer sur la touche SET.**
L'indication "STORED" (MEMORISE) s'affiche puis, après deux secondes, l'affichage de bande/fréquence reparait.
- 6 Répéter les opérations 2 à 5 ci-dessus pour chacune des stations à mémoriser sous un numéro de présélection.**

Pour modifier les stations présélectionnées, répéter les mêmes opérations que celles décrites ci-dessus.

Remarque

- Au point 4, vous pouvez sélectionner le numéro de présélection à l'aide des touches numériques de la télécommande. Voir "Saisie du numéro avec la télécommande" à la page 8.

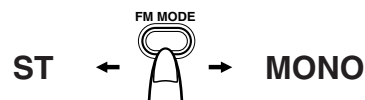
ATTENTION:

- Même si le système est débranché ou en cas de coupure de courant, les stations restent plusieurs jours en mémoire. Cependant, si elles devaient être effacées, vous devrez les remettre en mémoire en suivant toute la procédure.

Pour changer de mode de réception FM

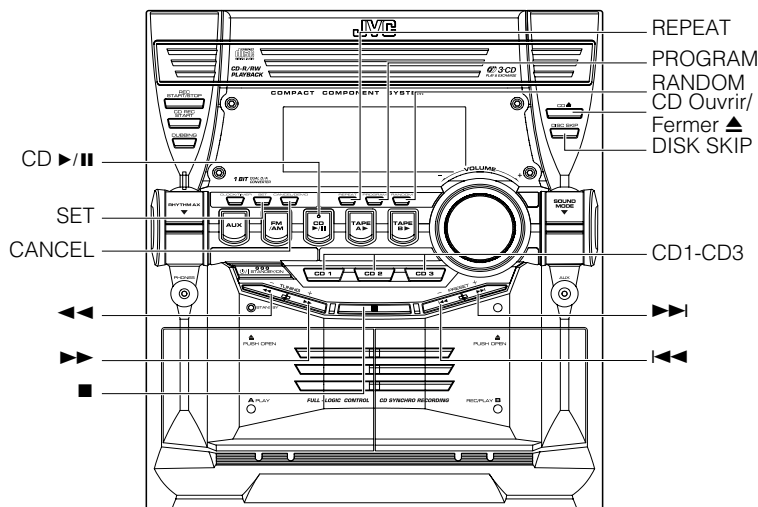
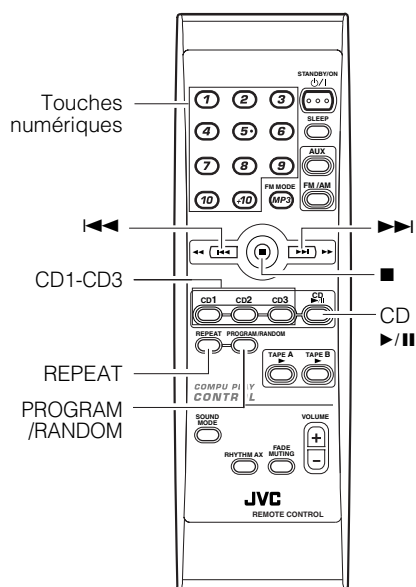
Lorsque vous avez localisé une émission stéréo en FM, l'indicateur "ST (Stéréo)" s'allume et vous entendez les effets stéréo. Si la réception d'une émission FM stéréo est mauvaise ou pleine d'interférences, vous pouvez sélectionner le mode Monaural. La réception sera meilleure mais vous perdrez l'effet stéréo.

Appuyer sur la touche FM MODE de la télécommande pour allumer l'indicateur "MONO" sur l'affichage.

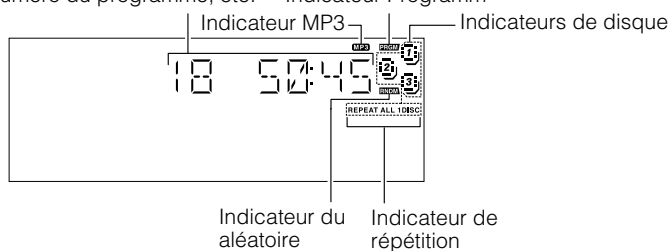


Pour rétablir l'effet stéréo, appuyer sur la touche FM MODE de la télécommande; l'indicateur "MONO" s'éteint. La sélection d'une autre station annulera également le mode FM Mono et rétablira l'effet stéréo.

Utilisation du lecteur CD



Numéro de plage, temps de lecture, numéro du programme, etc. Indicateur Programm



* Lors de l'utilisation de le système, l'affichage indique également d'autres informations. Par souci de simplicité, nous ne montrons ici que les éléments décrits dans cette section.

Cet appareil a été conçu pour jouer les CD suivants:

- CD audio
- CD-R (CD enregistrable)
- CD-RW (CD réenregistrable)
- Disque MP3 (Fichiers MP3 enregistrés sur un CD-R ou un CD-RW)*

Lorsqu'on fait jouer un CD-R ou un CD-RW

- Les CD-R (CD enregistrables) et CD-RW (réenregistrables) édités par l'utilisateur peuvent être joués lorsqu'ils sont déjà "finalisés".
- Avant de faire jouer des CD-R ou des CD-RW, lire attentivement leurs instructions ou leurs avertissements.
- Certains CD-R ou CD-RW risquent de ne pouvoir être joués sur cet appareil du fait des caractéristiques du disque, d'un endommagement ou de taches sur eux, ou si la lentille du lecteur est sale.
- Des CD-RW peuvent nécessiter une durée d'affichage plus longue étant donné que la réflectance de CD-RW est inférieure à celle de CD normaux.

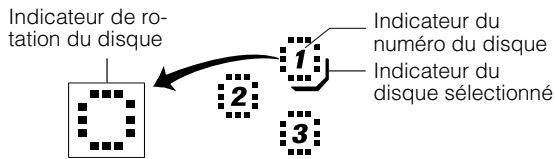
*Pour les disques MP3

- Cet appareil gère les fichiers et les dossiers sur les disques MP3 en tant que "plages" et "albums".
- L'ordre de lecture de fichiers (plages) MP3 enregistrés sur un disque est déterminé par l'utilisation de l'enregistrement (ou du codage); par conséquent, l'ordre de lecture peut être différent de celui que vous avez conçu lors de l'enregistrement de fichiers et de dossiers.
- Cet appareil indique le nom des fichiers (plages) et les repères ID3v2 (seulement "Titre", "Artiste" et "Album") sur l'affichage, après le démarrage de la lecture; cependant, il y a une limitation sur les caractères disponibles et le nom de certains fichiers et de certains repères ID3 ne sont pas montrés correctement.

Remarques

Davantage au sujet des disques MP3

- Les disques MP3 (soit CD-R ou CD-RW) nécessitent une durée d'affichage plus longue. (Elle varie du fait de la complexité de la configuration de l'enregistrement.)
- Lorsqu'on réalise un disque MP3, sélectionner le niveau 1 ou le niveau 2 ISO 9660 en tant que configuration du disque.
- Cet appareil ne peut prendre en charge un enregistrement multisession.
- Cet appareil ne peut jouer des fichiers MP3 qu'avec les extensions de fichiers suivantes: ".MP3", ".Mp3", ".mp3" et ".mp3".
- Les fichiers qui ne sont pas MP3 sont ignorés. Si des fichiers qui ne sont pas MP3 sont enregistrés en même temps qu'avec des fichiers MP3, cet appareil prendra plus de temps pour explorer le disque. Cela risque aussi de provoquer un fonctionnement défectueux de l'appareil.
- Il est possible de ne pas pouvoir faire jouer certains disques MP3 à cause de leurs caractéristiques ou des conditions d'enregistrement.

Au sujet de l'indicateur du disque:

L'indicateur de disque comprend les trois sortes d'indicateurs suivants:

| | |
|--|---|
| Indicateur de numéro de disque: | Reste continuellement allumé. |
| Indicateur du disque sélectionné: | S'allume pour le numéro du disque sélectionné. |
| Indicateur de rotation du disque: | Fonctionne lorsque le CD sélectionné est en cours de lecture ou est provisoirement arrêté. Cet indicateur s'éteint lorsqu'il n'y a pas de disque chargé pour le numéro de disque sélectionné. |

Lecture une touche

Le système se met sous tension et les opérations se font automatiquement.

- Appuyer sur la touche CD ►/|| pour mettre le système sous tension, et s'il y a un CD dans l'emplacement correspondant au numéro de disque choisi, la lecture de la première plage de celui-ci commence.
- Appuyer sur la touche CD1-CD3 pour mettre le système sous tension, et s'il y a un CD dans l'emplacement correspondant au numéro de disque choisi, la lecture de la première plage de celui-ci commence.

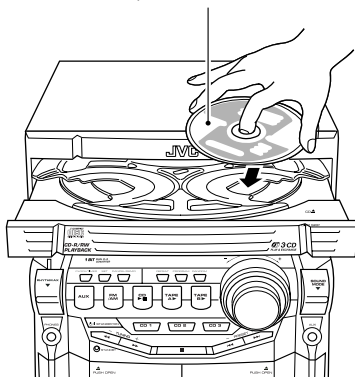
Pour charger des CD

1 Appuyer sur la touche CD Ouvrir/Fermer ▲ de l'appareil pour ouvrir le tiroir.

2 Placer un ou deux CD sur le plateau, avec l'étiquette orientée vers le haut.

Veiller à ce que le CD repose bien en place à l'intérieur de l'évidement sur le plateau du disque.

Inscriptions vers le haut



3 Appuyer sur la touche DISC SKIP (SAUT DE DISQUE) de l'appareil et insérer le second CD.

Chaque fois que vous appuyez sur la touche, le tiroir tourne jusqu'à l'emplacement du CD suivant.

4 Appuyer sur la touche CD Ouvrir/Fermer ▲ de l'appareil.

Le tiroir se ferme.

- Lors de l'utilisation d'un CD de 8 cm (3"), le placer sur le cercle intérieur du tiroir.
- Vous pouvez charger des CD pendant que vous écoutez une autre source, ou pendant que vous écoutez le CD en cours de lecture.
- Lors de la mise hors tension alors que le tiroir est ouvert, celui-ci se referme automatiquement.
- Si le CD ne peut pas être lu correctement (parce qu'il est griffé, notamment), l'indication "NO DISC" s'affiche.

Pour retirer les CD

Sortir les CD comme illustré ci-dessous.

1 Lorsque le lecteur CD est à l'arrêt, appuyer sur la touche CD Ouvrir/Fermer ▲ de l'appareil pour ouvrir le tiroir.

2 Retirer le CD puis appuyer sur la touche DISC SKIP de l'appareil.

Le tiroir tourne jusqu'à l'emplacement du CD suivant.

3 Répéter le point 2 pour retirer tous les CD.

4 Appuyer sur la touche CD Ouvrir/Fermer ▲ de l'appareil pour refermer le tiroir.

- Vous pouvez retirer des CD pendant que vous écoutez une autre source.

Conseils:**• Retrait/changement de CD pendant la lecture**

Pendant la lecture d'un CD (par ex. CD1), vous pouvez retirer ou changer les autres CD (par ex. CD2 et CD3) en réappuyant sur la touche CD Ouvrir/Fermer ▲. Après le retrait ou le changement de CD, réappuyer sur la même touche pour refermer le tiroir.

Changement du mode de lecture d'un MP3

Lorsqu'on fait jouer un disque MP3, on peut choisir le mode de lecture du disque MP3 de la manière suivante:

Mode TRACK (PLAGE):

L'appareil ne reconnaît que les plages (fichiers). On peut faire jouer un disque MP3 tel qu'un CD audio.

Mode GROUP (GROUPE)

Cet appareil reconnaît les plages (fichiers) et les albums (dossiers) sur un disque MP3. On peut faire jouer un disque MP3 selon la manière dont ils sont groupés.

Sur la télécommande SEULEMENT:

Appuyer sur MP3 avant ou pendant la lecture d'un disque MP3.



L'indicateur de GROUP apparaît lorsque le mode de lecture MP3 est sur le mode GROUP.



- Chaque fois que l'on appuie sur la touche, le mode de lecture MP3 change alternativement entre "GROUP" et "TRACK".

Notions de base pour l'utilisation du lecteur CD - Lecture normale

Pour écouter les CD

1 Charger les CD.

2 Appuyer sur une des touches de disques (CD1-CD3) correspondant au disque que vous voulez écouter.

Le numéro du disque sélectionné (par ex. "CD DISC 1") s'affiche.

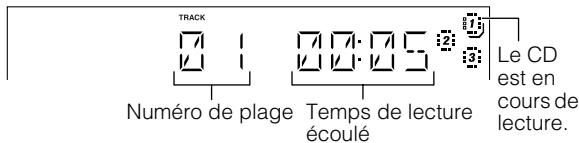
La lecture de la première plage du disque sélectionné démarre. Lorsque la lecture du premier CD est terminée, l'appareil passe au second puis au troisième disque.

Lorsque le dernier CD est terminé, le lecteur CD s'arrête automatiquement.

- Vous pouvez démarrer la lecture du disque sélectionné en appuyant simplement sur la touche CD ►/II.

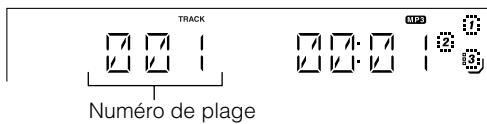
Pendant la lecture du CD, les indications suivantes s'affichent.

Pour un CD audio



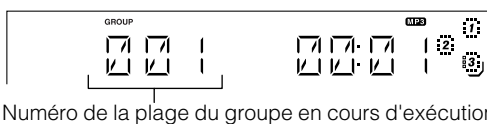
Pour un disque MP3

Mode TRACK



- Une fois que l'affichage ci-dessus est montré, si les plages comprennent des repères ID3, l'affichage fera défiler dans l'ordre le nom du fichier, du titre, de l'artiste et de l'album, puis reviendra à son affichage initial.

Mode GROUP

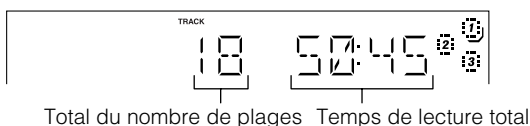


- Une fois que l'affichage ci-dessus est montré, si les plages comprennent des repères ID3, l'affichage fera défiler dans l'ordre le nom du fichier, du titre, de l'artiste et de l'album, puis reviendra à son affichage initial.

Lorsque la touche du disque est enfoncée (CD1-CD3) avec le tiroir ouvert, le tiroir se referme et le CD sélectionné commence automatiquement à jouer.

Pour arrêter l'audition d'un CD, appuyer sur la touche ■. L'information suivante pour le CD sera affichée.

Pour un CD audio

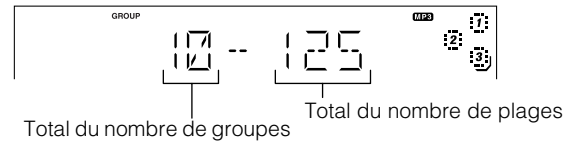


Pour un disque MP3

Mode TRACK



Mode GROUP



Pour marquer une pause, appuyer sur la touche CD ►/II. L'indication du temps de lecture clignote sur l'affichage.

Pour annuler la pause, réappuyer sur la touche CD ►/II. La lecture reprend là où elle s'était arrêtée.

Conseils:

• Ecoute d'un CD en utilisant la touche DISC SKIP

Vous pouvez également écouter des CD en utilisant la touche DISC SKIP. Pendant la lecture, chaque fois que vous appuyez sur la touche, la lecture passe automatiquement au CD suivant. Si l'emplacement correspondant au disque suivant est vide, il est automatiquement sauté.

Pour sélectionner une plage

Pendant la lecture (en utilisant la touche ◀◀ ou ▶▶):

Appuyer brièvement sur la touche ◀◀ ou ▶▶ pour sélectionner la plage que vous désirez faire jouer, excepté pour le mode groupé MP3. Appuyer sur la touche pour passer à la plage suivante ou pour revenir à la plage précédente.

- La lecture de la plage sélectionnée commence.
- Appuyer une fois sur la touche ▶▶ pour avancer au début de la plage suivante.
- Appuyer sur la touche ◀◀ pour revenir au début de la plage en cours de lecture. Appuyer deux fois rapidement pour revenir au début de la plage précédente.

En mode d'arrêt (en utilisant la touche ◀◀ ou ▶▶):

En appuyant brièvement sur la touche ◀◀ ou ▶▶, le lecteur CD fonctionne de la même manière que pendant une lecture, excepté pour le mode groupé MP3.

Utilisation des touches numériques de la télécommande:

Les touches numériques permettent de sélectionner directement la plage souhaitée sur le CD sélectionné.

- La lecture de la plage sélectionnée commence.
- Par exemple, appuyer sur +10, puis sur 5 pour écouter la plage numéro 15. Voir "Saisie du numéro avec la télécommande" à la page 8.

Dans le mode groupé MP3:

La plage sélectionnée du groupe effectif commence à jouer.

Conseils:

• Pour les disques MP3

Lorsque la plage sélectionnée commence à jouer, des informations sur cette plage défilent sur l'affichage dans l'ordre du nom du fichier, du titre, de l'artiste et de l'album.

Sur le mode STOP, le nom du fichier (mode PLAGE), le nom du groupe et le nom du fichier (mode GROUPE) défilent sur l'affichage.

Pour sélectionner un Groupe (Seulement pour le mode GROUP MP3)

Pendant une lecture (en utilisant la touche ◀◀ ou ▶▶):

Appuyer brièvement sur la touche ◀◀ ou ▶▶ pour sélectionner le groupe que vous désirez faire jouer.

- La première plage du groupe sélectionné commence à jouer.

Sur le mode d'Arrêt (en utilisant la touche ◀◀ ou ▶▶):

Appuyer brièvement sur la touche ◀◀ ou ▶▶ pour sélectionner le groupe que vous désirez faire jouer. Le numéro du groupe, le nom du groupe et le nom du fichier défilent sur l'affichage.

Lecture avec recherche de passage

Maintenir les touches suivantes enfoncées, pendant la lecture, pour faire avancer/reculer rapidement le CD de manière à pouvoir retrouver rapidement un passage précis de la plage que vous êtes en train d'écouter.

- Touche ◀◀ ou ▶▶ sur l'appareil
- Touche ◀◀ ou ▶▶ sur la télécommande

Programmation de l'ordre de lecture des plages

Vous pouvez programmer l'ordre de lecture des plages sur tous les CD. Remarque cependant que vous pouvez uniquement effectuer cette programmation lorsque le lecteur CD est à l'arrêt.

Vous pouvez programmer jusqu'à 32 plages dans n'importe quel ordre, y compris en répétant les mêmes plages.

Remarques

Pour les disques MP3

- Si vous essayez de sélectionner un disque MP3 qui a déjà été lu ou joué, "MP3 DISC" apparaîtra sur l'affichage et il ne pourra être programmé.
- Un disque MP3 qui n'a jamais été lu peut être sélectionné sur le mode programme. Mais lorsque la lecture commence, "MP3 DISC" apparaîtra sur l'affichage, le programme sera annulé et commuté sur le programme suivant.

Pour créer un programme

1 Charger les CD.

2 En mode d'arrêt, mettre le lecteur CD en mode de lecture programmée.

Sur l'appareil

Appuyer sur la touche PROGRAM pour allumer l'indicateur "PRGM". En même temps, l'indication "PROGRAM" s'affiche.

Sur la télécommande

Appuyer sur la touche PROGRAM/RANDOM jusqu'à ce que "PROGRAM" apparaisse sur l'affichage.

L'indicateur "PRGM" s'allume également.

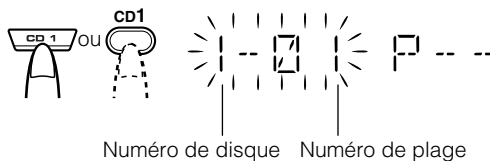
Chaque fois que vous appuyez sur la touche, l'affichage change comme suit:

PROGRAM → RANDOM → Affichage normale (lecture normale) → (retour au début)

- Si un programme a déjà été créé, la dernière étape du programme s'affiche.

3 Appuyer sur une des touches de disques (CD1-CD3) pour sélectionner le disque que vous voulez écouter.

L'affichage d'entrée de programme apparaît.

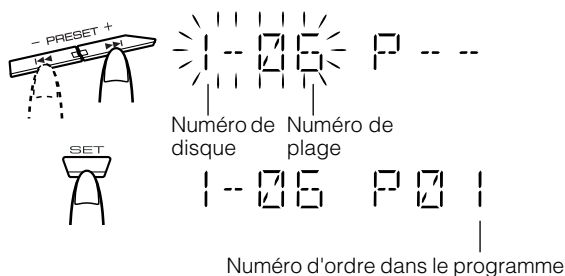


4 Sélectionner la plage à programmer.

Sur l'appareil

Pendant que l'affichage clignote, appuyer sur la touche ◀◀ ou ▶▶ pour sélectionner la plage puis appuyer sur la touche SET dans les cinq secondes qui suivent.

Le numéro d'ordre du programme sera attribué à partir de P-1.



Utilisation de la télécommande

Appuyer sur les touches numériques pour entrer directement le numéro de la plage. Le numéro d'ordre du programme sera ensuite attribué à partir de P-1.

- Pour supprimer l'étape actuelle du programme, appuyer sur la touche CANCEL de l'appareil.

5 Répéter les opérations 3 et 4 pour programmer d'autres plages du même CD ou d'un autre CD.

6 Pour écouter le programme, appuyer sur la touche CD ▶/II.

Pour plus de détails, voir "Pour écouter le programme créé" ci-dessous.

Pour confirmer les contenus du programme, pendant que le lecteur CD est à l'arrêt, sélectionner le mode Programme en appuyant sur la touche PROGRAM et appuyer sur la touche ◀◀ ou ▶▶ de la télécommande.

Pour supprimer toutes les plages du programme, pendant que le lecteur CD est à l'arrêt, appuyer sur la touche ■ ou ouvrir le tiroir en appuyant sur la touche CD Ouvrir/Fermer ▲.

Pour modifier le programme, pendant que le lecteur CD est à l'arrêt et que le mode Programme est sélectionné, appuyer sur la touche CANCEL pour supprimer la dernière plage du programme. Pour ajouter de nouvelles plages à la fin du programme, répéter les opérations 3 et 4 ci-dessus.

Remarques

- Si vous essayez de programmer un numéro de plage qui n'existe pas sur le CD, votre entrée sera ignorée.
- Si vous essayez de programmer une 33ème plage, l'indication "FULL" s'affiche.

Pour écouter le programme créé

Appuyer sur la touche CD ▶/II.

Le système lit les plages dans l'ordre où vous les avez programmées.

- Pour utiliser la lecture à répétition pour la lecture de programme, appuyer sur la touche REPEAT pour sélectionner "REPEAT" avant de démarrer la lecture. Pour plus de détails, voir "Répétition des plages" à la page 15.

Vous pouvez passer à une plage précise d'un programme en appuyant sur la touche ◀◀ ou ▶▶ pendant la lecture du programme.

Pour arrêter la lecture, appuyer une fois sur la touche ■. Si vous appuyez sur la touche ■ pendant que le lecteur CD est à l'arrêt, le programme est supprimé.

Pour quitter et revenir par la suite au mode de lecture programmée

Le programme composé est mémorisé. De cette manière, vous pouvez quitter la lecture programmée et y revenir tant que vous n'avez pas supprimé le programme.

Pour quitter immédiatement le mode programme, appuyer sur la touche ■ pour arrêter l'audition. L'indicateur "PROG" s'éteint et le mode programme sera annulé. Le programme sera enregistré dans la mémoire.

Pour revenir en mode de lecture programmée, appuyer sur la touche PROGRAM ou PROGRAM/RANDOM jusqu'à ce que l'indicateur "PRGM" se rallume.

Remarques

- Lorsque le système est hors tension (en mode de veille), les plages programmées sont supprimées.
- Le tiroir ne s'ouvre pas pendant le mode de lecture d'un programme.

Utilisation du lecteur CD

Lecture aléatoire

Les plages du CD sélectionnées seront jouées dans n'importe quel ordre lorsqu'on utilise ce mode.

1 En mode d'arrêt, mettre le lecteur CD en mode de lecture aléatoire.

Sur l'appareil

Appuyer sur la touche RANDOM pour allumer les indicateurs "RNDM" et "1 DISC".

En même temps, l'indication "RANDOM" s'affiche.

Sur la télécommande

Appuyer sur la touche PROGRAM/RANDOM jusqu'à ce que "RANDOM" apparaisse sur l'affichage.

Les indicateurs "RNDM" et "1 DISC" s'allumeront également sur l'affichage.

Chaque fois que vous appuyez sur la touche, l'affichage change comme suit:

PROGRAM → RANDOM → Affichage normale (lecture normale) → (retour au début)

2 Appuyer sur la touche CD ►/II.

Les plages de tous les CD sont lues dans un ordre aléatoire.

Pour arrêter la lecture, appuyer une fois sur la touche ■. Le mode aléatoire est annulé et les indicateurs "RNDM" et "1 DISC" s'éteignent.

Pour passer une plage pendant la lecture, appuyer sur la touche ►► pour avancer à la plage suivante dans l'ordre aléatoire.

Répétition des plages

Vous pouvez répéter toutes les plages ou une plage individuelle autant de fois que vous le souhaitez.

Appuyer sur la touche REPEAT.

L'indicateur de répétition change comme suit à chaque pression de la touche:

REPEAT ALL → REPEAT 1DISC → REPEAT 1 → Affichage vierge → (retour au début)

REPEAT ALL: En mode de lecture normale, répète toutes les plages de tous les CD.

REPEAT 1DISC: Répète toutes les plages d'un seul CD. (Peut uniquement être sélectionné en mode de lecture normale)

REPEAT 1: Répète une seule plage.

Sur le mode Program Play, l'indicateur de répétition changera chaque fois que l'on appuie sur la touche REPEAT, de la manière suivante:

Affichage REPEAT ↔ Blank

Il répète toutes les plages du programme.

Pour arrêter la lecture, appuyer sur la touche ■. Vous pouvez également arrêter la lecture en changeant de source (par ex. en sélectionnant le tuner.) Le mode de répétition est annulé et l'indicateur de répétition s'éteint.

Fonction de verrouillage du tiroir

Afin de pouvoir conserver en toute sécurité les CD dans le lecteur, il est possible de verrouiller le tiroir de manière électronique.

Lorsque le verrouillage électronique est activé, il n'est pas possible d'ouvrir le tiroir, même si vous appuyez sur la touche CD Ouvrir/Fermer ▲ de l'appareil.

Verrouillage du tiroir

1 Mettre le système sous tension et accéder au mode CD.

2 Appuyer sur la touche ■ et appuyer simultanément sur la touche CD Ouvrir/Fermer ▲ de l'appareil.

L'indication "LOCKED" (VERROUILLE) s'affiche.



- Si vous essayez d'ouvrir le tiroir en appuyant sur la touche CD Ouvrir/Fermer ▲, l'indication "LOCKED" apparaît pour vous signaler que le tiroir est verrouillé.

Déverrouillage du tiroir

Répéter les opérations 1 et 2 ci-dessus.

L'indication "UNLOCKED" (DEVERROUILLE) s'affiche.

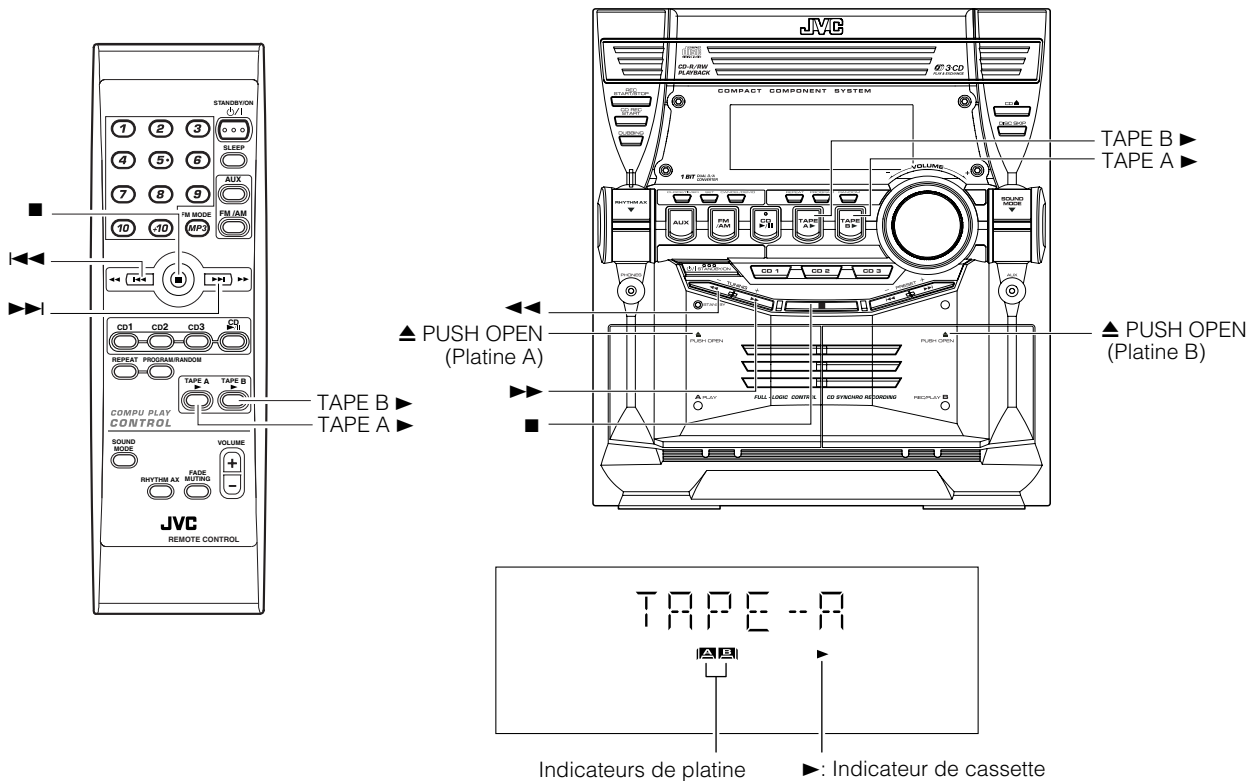


Vous pouvez à présent utiliser le tiroir normalement.

Remarque

- Même quand le système est débranchée, le tiroir reste verrouillé pendant quelques jours. Pour déverrouiller le tiroir après la mise sous tension, il faut effectuer une opération de déverrouillage.

Utilisation de la platine à cassette (écoute d'une cassette)



Indicateurs de platine ►: Indicateur de cassette

* Lors de l'utilisation de le système, l'affichage indique également d'autres informations. Par souci de simplicité, nous ne montrons ici que les éléments décrits dans cette section.

La platine à cassette permet d'écouter, d'enregistrer et de copier des cassettes audio.

☐ Cette platine à cassette convient pour écouter des cassettes de type I.

L'utilisation de bandes de plus de 120 minutes (y compris des bandes de 120 minutes) n'est pas recommandée, étant donné qu'une détérioration caractéristique risque de se produire et que ces bandes se coincent facilement dans les galets-presseurs et les cabestans.

Lecture une touche

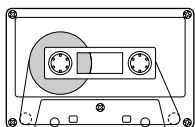
En appuyant sur la touche TAPE A ► ou sur TAPE B ►, le système se mettra en marche et si une bande se trouve sur la platine, elle commencera à être jouée. Si aucune cassette n'est en place, l'indication "NO TAPE" s'affiche, le système se met sous tension et attend que vous insériez une cassette ou que vous sélectionniez une autre fonction.

Ecoute d'une cassette

Vous pouvez utiliser soit la platine A soit la platine B pour l'écoute.

1 Appuyer sur la touche ▲ PUSH OPEN de la platine que vous souhaitez utiliser.

2 Lorsque le porte-cassette s'ouvre, placez-y une cassette, avec la partie exposée de la bande tournée vers le bas de l'appareil.
Le déroulement de la bande se fait de gauche à droite.



Sens de déroulement de la bande

- Si le porte-cassette ne s'ouvre pas, mettre le système hors tension puis la remettre sous tension et réappuyer sur la touche ▲ PUSH OPEN.

3 Refermer doucement le porte-cassette.

Lorsque les deux platines A et B contiennent une cassette, la dernière platine dans laquelle on a inséré une cassette est sélectionnée.

4 Appuyer sur la touche TAPE A ► ou TAPE B ►.

La platine sélectionnée apparaît (par exemple, TAPE-A) et l'indicateur de la platine "A" ou "B" s'allume sur l'affichage. L'indicateur de cassette (►) clignote sur l'affichage et la lecture de la cassette commence.

La platine s'arrête automatiquement après la lecture d'une face de la cassette.

Pour arrêter la lecture, appuyer sur la touche ■.

Pour retirer la cassette, l'arrêter puis appuyer sur la touche ▲ PUSH OPEN pour ouvrir le porte-cassette.

Pour faire avancer rapidement une cassette

Pendant la lecture ou à l'arrêt, appuyer sur la touche ►► (FF) de l'appareil pour faire avancer rapidement la bande vers la droite de la cassette sans la lire. (Vous pouvez également utiliser la touche ►► de la télécommande.)

Pendant la lecture ou à l'arrêt, appuyer sur la touche ◄◄ (REW) de l'appareil pour faire avancer rapidement la bande vers la gauche de la cassette sans la lire. (Vous pouvez également utiliser la touche ◄◄ de la télécommande.)

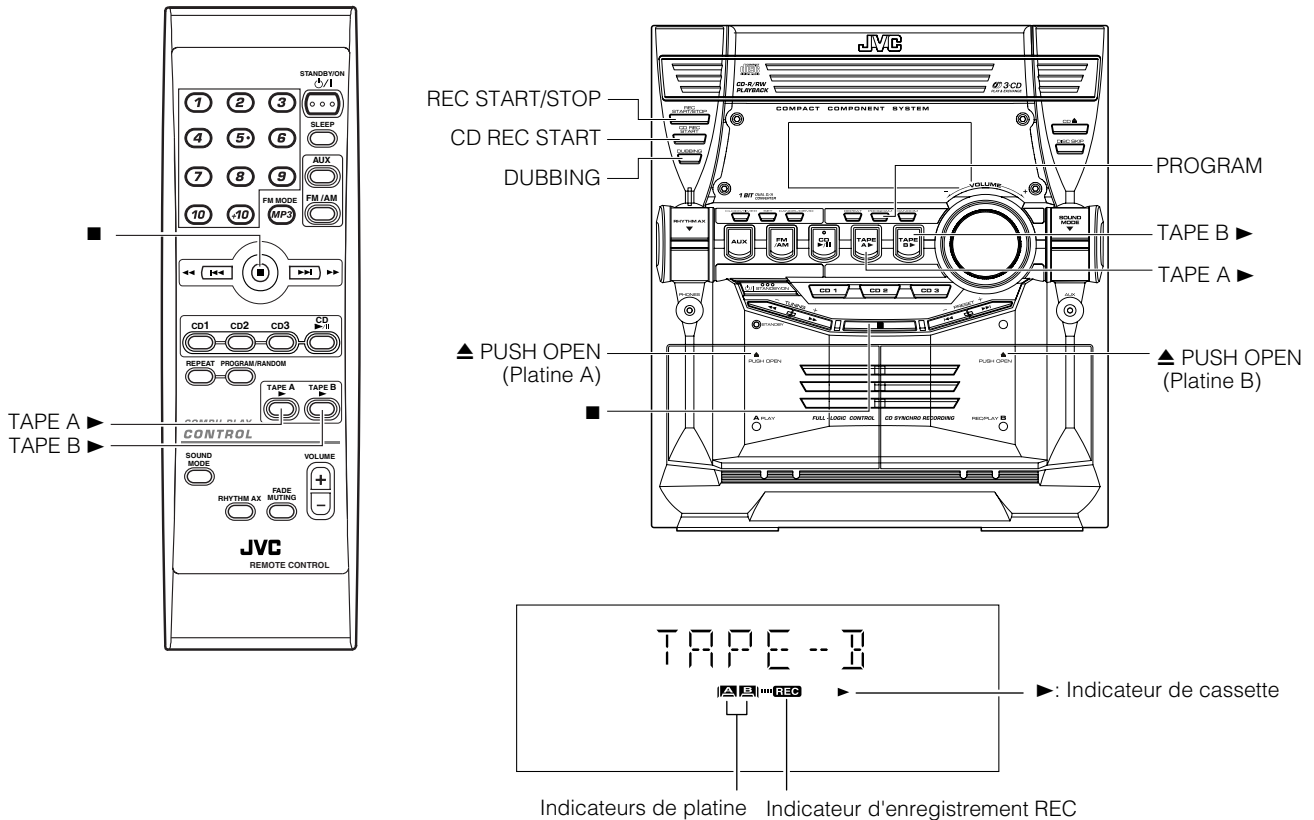
Pendant le bobinage rapide de la bande, l'indicateur de cassette (►) reste éteint.

Pendant l'avance rapide, l'éclairage de la barre d'état en bas de l'affichage se déplace de gauche à droite. Pendant le bobinage rapide, il se déplace de droite à gauche.

- La platine à cassette s'arrête automatiquement après la lecture d'une face.

☐ Pendant l'avance rapide de la bande, vous pouvez changer son sens de déroulement en appuyant sur la touche ►► (FF) ou ◄◄ (REW).

Utilisation de la platine à cassette (enregistrement)

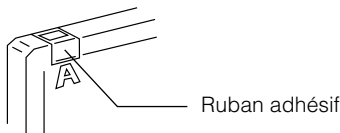


* Lors de l'utilisation de le système, l'affichage indique également d'autres informations. Par souci de simplicité, nous ne montrons ici que les éléments décrits dans cette section.

Il est très facile d'enregistrer une des sources sonores sur une cassette. Il suffit de placer une cassette dans la platine B, de préparer la source, d'effectuer un ou deux réglages et vous êtes prêt à enregistrer. La procédure est quelque peu différente pour chacune des sources, c'est pourquoi nous allons les expliquer séparément. Mais tout d'abord, quelques conseils pour avoir de meilleurs enregistrements.

Notions à connaître avant de commencer l'enregistrement

- ❑ Il peut s'avérer illicite de copier ou de diffuser du matériel protégé par les droits d'auteur sans le consentement du titulaire des droits.
- ❑ Le niveau d'enregistrement, qui est le volume auquel la nouvelle cassette est créée, se règle automatiquement et il n'est pas affecté par la commande de VOLUME de le système. Il n'est pas non plus affecté par les réglages d'effets sonores. Dès lors, pendant l'enregistrement, vous pouvez régler le son écouté sans affecter le niveau d'enregistrement.
- ❑ Vous pouvez retirer les deux languettes situées à l'arrière de la cassette, une pour la face A et l'autre pour la face B, pour éviter tout effacement ou enregistrement accidentel.



- ❑ Pour enregistrer sur une cassette dont on a retiré les languettes, recouvrir tout d'abord les orifices avec du ruban adhésif.
- ❑ Vous pouvez utiliser des cassettes de type I pour l'enregistrement.

Remarque

- Les cassettes sont munies, au début et à la fin de la bande, d'une amorce sur laquelle il n'est pas possible d'enregistrer. Dès lors, lors de l'enregistrement de CD, d'émissions de radio, etc. bobiner tout d'abord l'amorce pour être certain d'enregistrer la source depuis le début.

ATTENTION:

- Si un enregistrement présente des interférences électriques ou statiques excessives, il se peut que l'appareil ait été trop près d'un téléviseur pendant l'enregistrement. Dans ce cas, éteignez le téléviseur ou éloignez-le de l'appareil.

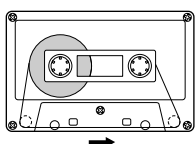
Enregistrement normal

Il s'agit de la méthode de base pour enregistrer n'importe quelle source. Le système possède également des fonctions spéciales pour enregistrer un CD sur une cassette, une cassette sur une autre, afin de vous épargner du temps et des efforts et de vous permettre d'ajouter certains effets spéciaux. Cependant, lorsque vous souhaitez ajouter une sélection à une cassette déjà enregistrée ou lorsque vous souhaitez combiner les sélections de plusieurs sources sur une cassette, utilisez la méthode décrite ci-dessous. Il suffit de remplacer la source souhaitée dans cette procédure, comme une cassette dans la platine A, un CD ou la radio. Cette méthode permet également d'enregistrer à partir d'équipements externes.

Pour enregistrer n'importe quelle source sonore sur une cassette

Suivre les procédures indiquées ci-dessous pour enregistrer à partir de n'importe quelle source sonore sur une cassette située dans la platine B.

1 Insérer une cassette vierge ou effaçable dans la platine B et bobiner l'amorce.



Sens de déroulement de la bande

2 Préparer la source, notamment en recherchant la station radio ou en mettant les équipements raccordés sous tension.

- Pour l'enregistrement de CD, voir la partie "Enregistrement synchronisé de CD" expliquée ci-dessous.
- Pour la copie de cassettes, voir la partie "Enregistrement de cassette à cassette (DUBBING)" expliquée plus bas.

3 Appuyer sur la touche REC START/STOP de l'appareil.

L'indicateur "REC" s'allume et le système démarre l'enregistrement.

L'indicateur de cassette (▶) clignote sur l'affichage.

- Si la languette de la cassette présente dans la platine B est enlevée pour empêcher l'effacement ou l'enregistrement, l'indication "NO REC" s'affiche.

Pour arrêter l'enregistrement en cours, appuyer sur la touche REC START/STOP de l'appareil ou sur la touche ■.

Enregistrement d'une émission AM sur une cassette (Coupure des battements)

Lors de l'enregistrement d'une émission AM, il peut se produire des battements que vous n'entendez pas lorsque vous écoutez l'émission. Si cela se produit, appuyez sur la touche FM MODE de la télécommande pour supprimer les battements.

1 Localiser la station AM et démarrer l'enregistrement.

2 Appuyer sur la touche de FM MODE sur la télécommande pour éliminer les battements.

Chaque fois que vous appuyez sur la touche, l'affichage change comme suit:

BEAT 1 ↔ BEAT 2

Enregistrement synchronisé de CD

Toutes les données du CD sont enregistrées sur la cassette dans l'ordre du CD ou selon l'ordre défini dans un programme.

1 Préparer les CD. (Voir page 12.)

Appuyer sur la touche CD1-3 (selon le CD que vous souhaitez enregistrer) puis appuyer sur la touche ■.

- Si vous souhaitez n'enregistrer que certaines plages précises, vous devez les programmer au préalable. (Voir page 14.)

- Si vous ne voulez enregistrer qu'un seul CD, vous n'avez besoin de charger qu'un seul CD.

2 Insérer une cassette vierge ou effaçable dans la platine B et bobiner l'amorce.

3 Appuyer sur la touche CD REC START de l'appareil.

L'indication "CD REC" s'affiche et l'indicateur "REC" s'allume. Le système démarre ensuite l'enregistrement de CD synchronisé et elle enregistre les plages du CD sur la cassette.

Lorsque l'enregistrement des plages de tous les CD est terminé, le lecteur de CD et la platine à cassette s'arrêteront.

- Si la languette de la cassette présente dans la platine B est enlevée pour empêcher l'effacement ou l'enregistrement, l'indication "NO REC" s'affiche.
- Lorsque le lecteur CD a terminé la lecture de tout le CD ou de toutes les plages programmées, la cassette s'arrête automatiquement.

Pour arrêter à tout moment pendant une opération d'enregistrement, appuyer sur la touche ■. Le lecteur de CD et la platine à cassette s'arrêteront.

Remarque

- Lorsque vous programmez la minuterie SLEEP pendant l'enregistrement synchronisé d'un CD, prévoir suffisamment de temps pour que le CD puisse terminer la lecture sinon le système se mettra hors tension avant la fin de l'enregistrement.

Enregistrement de cassette à cassette (DUBBING)

L'enregistrement d'une cassette sur une autre s'appelle le doublage. Vous pouvez doubler des cassettes facilement; il suffit d'appuyer sur une seule touche.

1 Appuyer sur la touche TAPE A ▶ puis appuyer sur la touche ■.

2 Insérer la cassette source à copier dans la platine A pour sa lecture.

3 Insérer dans la platine B la cassette vierge ou la cassette effaçable sur laquelle vous souhaitez copier les données, pour son enregistrement.

4 Appuyer sur la touche DUBBING de l'appareil.

Les platines A et B démarrent simultanément et l'indicateur "REC" s'allume.

Pendant le doublage, les indicateurs des platines "A" et "B" s'allument alternativement.

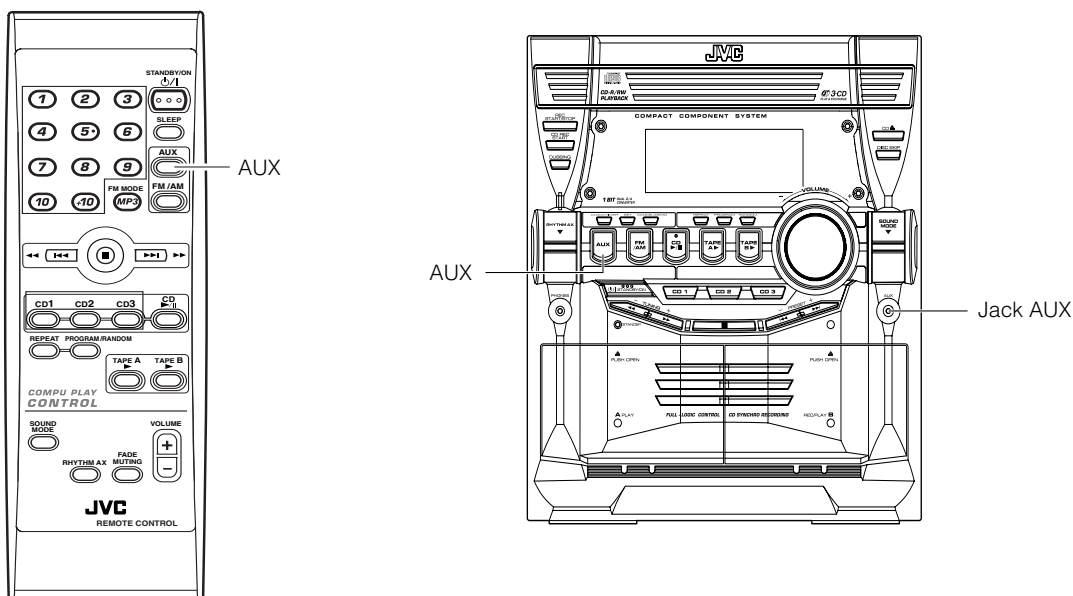
- S'il n'y a aucune cassette dans la platine A, l'indication "NO TAPE" s'affiche.
- S'il n'y a aucune cassette dans la platine B, l'indication "NO TAPE" s'affiche.

Pour arrêter à tout moment le doublage, appuyer sur la touche REC START/STOP de l'appareil ou sur la touche ■.

Remarque

- Pendant le doublage, vous pouvez entendre les effets sonores par les haut-parleurs ou le casque d'écoute. Néanmoins, le son est copié sans effets sonores.

Branchement d'équipements externes



Ecoute d'équipements externes

Vous pouvez écouter des équipements externes tels qu'un CD portable, une platine MD, un STB ou d'autres équipements annexes.

☐ Vérifier tout d'abord si l'équipement externe est correctement raccordé à le système. (Voir page 6.)

1 Régler le niveau de volume sur le minimum.

2 Appuyer sur la touche AUX.

L'indication "AUX IN" s'affiche.

AUX IN

3 Démarrer l'équipement externe.

4 Régler le volume sur le niveau d'écoute souhaité.

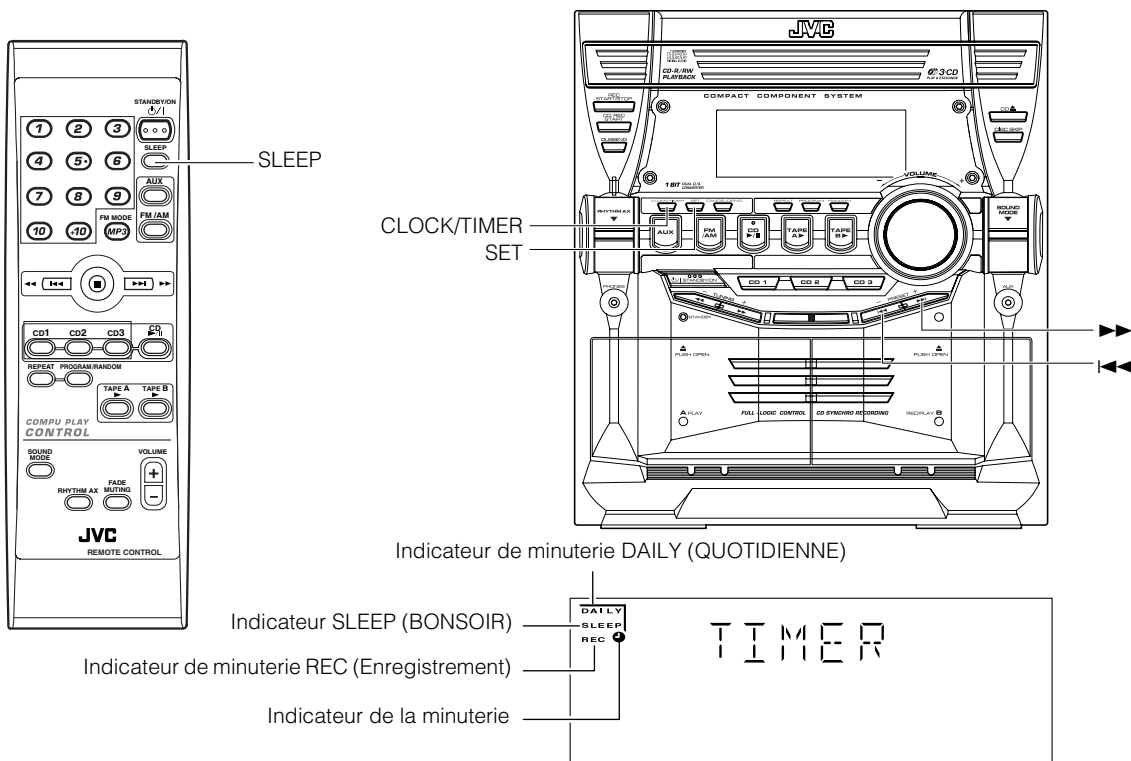
5 Appliquer les effets sonores suivants, si vous le souhaitez.

- RHYTHM AX (Voir page 8.)
- Mode son (Voir page 8.)

Remarque

- Pour le fonctionnement de l'équipement externe, voir son mode d'emploi.

Utilisation des minuteries



* Lors de l'utilisation de le système, l'affichage indique également d'autres informations.
Par souci de simplicité, nous ne montrons ici que les éléments décrits dans cette section.

Trois types de minuteries sont disponibles:

La minuterie DAILY (QUOTIDIENNE)

Utiliser cette minuterie pour se réveiller tous les jours en écoutant une source musicale au lieu de la sonnerie du réveil.

La minuterie REC (Enregistrement)

Enregistrement sans surveillance d'émissions de radio. Vous pouvez programmer l'heure de début et l'heure de fin.

La minuterie SLEEP (BONSOIR)

Permet de s'endormir sans se soucier de le système: celle-ci s'éteindra automatiquement après un certain temps.

Réglage de l'horloge

Lorsque vous branchez le cordon d'alimentation dans la prise secteur, l'indication de l'heure "AM 12:00" clignote sur l'affichage. Vous pouvez régler l'horloge lorsque le système est sous ou hors tension.

Sur l'appareil

- 1 Appuyer sur la touche CLOCK/TIMER.**
L'indication du chiffre de l'heure clignote sur l'affichage.
- 2 Appuyer sur les touches ◀◀ ou ▶▶ pour régler l'heure.**
Appuyer sur la touche ▶▶ pour avancer l'heure ou sur la touche ◀◀ pour la retarder. Maintenir la touche enfoncée pour faire défiler les heures rapidement.
- 3 Appuyer sur la touche SET.**
L'indication des chiffres des minutes clignote sur l'affichage.
 - Pour revenir au réglage de l'heure, appuyer sur CANCEL.
- 4 Appuyer sur les touches ◀◀ ou ▶▶ pour régler les minutes.**
- 5 Appuyer sur la touche SET (PROGRAMMER).**
L'indication "CLOCK OK" s'affiche. L'heure sélectionnée est alors validée et les secondes démarrent à partir de 0.

Correction du temps d'horloge

Utilisation de l'appareil

- 1 Appuyer sur la touche ◻/| STANDBY/ON pour activer le système.**
- 2 Appuyer de façon répétée sur la touche CLOCK/TIMER jusqu'à ce que l'affichage du réglage de l'horloge (indication de l'heure) apparaisse sur l'affichage.**
Chaque fois que l'on appuie sur la touche, l'affichage change de la manière suivante:
DAILY → ON TIME → REC → ON TIME → Affichage du réglage de l'horloge (indicateur de l'heure) → Annulation → (retour au début)
- 3 Appuyer sur la touche SET.**
Les chiffres de l'heure de l'horloge en service clignoteront sur l'affichage.
- 4 Suivre les étapes 2 à 5 du "Réglage de l'horloge" mentionnées ci-dessus.**

Remarques

- L'horloge doit être à l'heure exacte pour que les minuteries fonctionnent correctement.
- Chaque étape du réglage doit être achevée en deçà d'environ 30 secondes. Sinon, le réglage est effacé et devra être répété depuis le début.
- L'horloge peut avancer ou retarder d'une à deux minutes par mois.
- En cas de coupure de courant, l'horloge perd immédiatement ses réglages. "AM 12:00" clignote sur l'affichage et il faut reprogrammer l'heure exacte.

Réglage de la minuterie quotidienne

Une fois que vous avez programmé la minuterie quotidienne, celle-ci se met en marche tous les jours à la même heure. L'indicateur de la minuterie (☉) et l'indicateur "DAILY" montrent que la minuterie quotidienne programmée est activée. Vous pouvez programmer la minuterie quotidienne lorsque le système est sous ou hors tension.

Remarques

- Vous pouvez régler la minuterie quotidienne, que le système soit sous tension ou hors tension.
- Effectuer chacun des réglages dans les 30 secondes environ. Sinon, le réglage sera effacé et vous devrez répéter toute la procédure depuis le début.
- Si vous avez commis une erreur dans la programmation de la minuterie, appuyer sur la touche CANCEL de l'appareil. Cela ne permet cependant pas toujours d'annuler la programmation actuelle. Si la touche CANCEL ne fonctionne pas, appuyer à plusieurs reprises sur la touche CLOCK/TIMER de l'appareil jusqu'à ce que l'affichage d'origine reparaisse et recommencer depuis le début.

Sur l'appareil

1 Appuyer sur la touche CLOCK/TIMER jusqu'à ce que l'indication "ON TIME" apparaisse immédiatement après "DAILY" sur l'affichage.

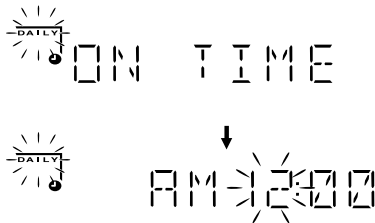
A ce stade, l'indicateur "DAILY" clignote et l'indicateur de la minuterie (☉) s'allume sur l'affichage.

Chaque fois que vous appuyez sur la touche, l'affichage change comme suit:

DAILY (QUOTIDIEN) → ON TIME* (HEURE D'ACTIVATION) → REC (ENREGISTREMENT) → ON TIME (HEURE D'ACTIVATION) → Réglage de l'horloge → Annulé → (retour au début)

*: Sélectionner cet élément pour la programmation de la minuterie quotidienne.

Puis, le système se met en mode de programmation de l'heure d'activation, et l'heure d'activation actuellement programmée apparaît et les chiffres des heures clignotent.



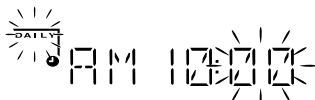
2 Programmation de l'heure d'activation (Exemple: AM 10:15).

1. Appuyer sur la touche ►► ou ◄◄ pour régler l'heure à laquelle vous souhaitez que le système se mette en marche puis appuyer sur SET.

Les chiffres des minutes de l'heure d'activation clignotent sur l'affichage.

Appuyer sur la touche ►► pour avancer l'heure ou sur la touche ◄◄ pour la retarder.

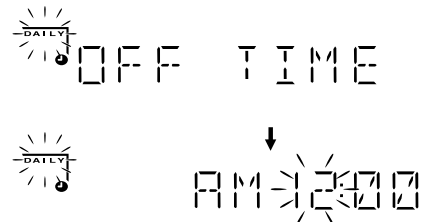
Maintenir la touche enfoncée pour faire défiler les heures rapidement.



2. Appuyer sur les touches ►► ou ◄◄ pour régler les minutes puis appuyer sur SET.



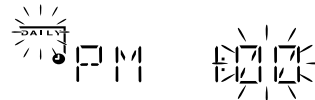
L'indication "OFF TIME" (heure d'extinction) s'affiche puis le système se met en mode de programmation de l'heure d'extinction. L'heure d'extinction actuellement programmée apparaît et les chiffres des heures clignotent.



3 Programmation de l'heure d'extinction (Exemple: PM 1:15).

1. Appuyer sur les touches ►► ou ◄◄ pour régler l'heure à laquelle vous souhaitez que le système se coupe puis appuyer sur SET.

Les chiffres des minutes de l'heure de les débranchement clignotent sur l'affichage.



2. Appuyer sur les touches ►► ou ◄◄ pour régler les minutes puis appuyer sur SET.



Le système se met dans le mode de sélection de la source de musique et l'indication "TUNER FM" s'affiche.



4 Sélection de la source de musique.

Appuyer sur les touches ►► ou ◄◄ pour sélectionner la source de musique que vous voulez écouter puis appuyer sur SET.

Chaque fois que vous appuyez sur la touche ►► ou ◄◄, l'affichage change comme illustré ci-dessous:

TUNER FM → TUNER AM → CD → TAPE → AUX IN → (retour au début)

L'opération suivante change en fonction de la source de musique sélectionnée.

TUNER FM: Recherche la présélection de l'émetteur FM demandé.

TUNER AM: Recherche la présélection de l'émetteur AM demandé.

CD: Lit la plage demandée sur le CD spécifié.

TAPE: Lit la cassette de la platine A.

AUX IN: Lit une source externe.

Préparation pour chaque source de musique:

Effectuer l'opération suivante en fonction de la source de musique sélectionnée. Le système se met ensuite en mode de réglage du volume.

Lors de la sélection de TUNER FM ou TUNER AM:

Appuyer sur les touches ►► ou ◄◄ pour sélectionner le numéro de la station présélectionnée puis appuyer sur SET.

Lorsque vous sélectionnez CD:

Appuyer sur les touches ►► ou ◄◄ pour sélectionner le numéro de disque puis appuyer sur SET.

Chaque fois que vous appuyez sur la touche, le numéro de disque change comme suit:

DISC – → DISC 1 → DISC 2 → DISC 3 → (retour au début)

• Si aucun numéro de disque est spécifié, playback commencera de la première piste du disque actuellement choisi.

Lorsque vous sélectionnez TAPE:

Insérez la cassette souhaitée dans la platine A.

Lorsque vous sélectionnez AUX:

Préparer l'équipement externe de sorte qu'il se mette sous tension à l'heure d'activation programmée sur le système.

Pour qu'il puisse en être ainsi, l'équipement doit être doté d'une fonction de minuterie.

5 Réglage du volume.

Appuyer sur les touches ►► ou ◄◄ pour sélectionner le volume.

VOL – – : Lorsque le niveau du volume est inférieur à 18: Le niveau du volume en cours sera utilisé.

Lorsque le niveau du volume est supérieur à 19: Le niveau du volume est automatiquement réglé sur 18.

MIN, 1-31 ou MAX: Lorsque la minuterie s'active, le volume est automatiquement réglé sur le niveau sélectionné.

**6 Appuyer sur la touche SET.**

Le réglage de la minuterie est terminé et l'affichage revient à l'affichage initial avant que vous ayez réglé la minuterie.

7 Appuyer sur la touche ⏻/⏻ STANDBY/ON pour mettre le système hors tension, si nécessaire.

L'indicateur de la minuterie (●) et l'indicateur "DAILY" sont allumés sur l'affichage pour signaler que la minuterie quotidienne est activée.

Pour confirmer/modifier le réglage de la minuterie, répéter la programmation depuis le début.

Lorsque l'heure d'activation est atteinte:

L'opération suivante se répète automatiquement tous les jours.

- Lorsque l'heure d'activation de la minuterie est atteinte, le système se met automatiquement sous tension. Vous entendez la source de musique programmée. L'indicateur de la minuterie (●) clignote et l'indicateur "DAILY" s'allume pendant tout le fonctionnement de la minuterie.
- Lorsque l'heure d'extinction de la minuterie approche, le système se met automatiquement hors tension. Ensuite, l'indicateur de la minuterie (●) et l'indicateur "DAILY" restent allumés sur l'affichage.

Remarque

- Si le système est déjà sous tension lorsque l'heure d'activation arrive, la minuterie quotidienne ne fonctionne pas.

Activation et désactivation de la minuterie quotidienne

Lorsque vous avez programmé la minuterie quotidienne, sa programmation est mémorisée et elle s'activera automatiquement tous les jours à la même heure jusqu'à ce que vous l'annuliez.

Pour annuler provisoirement la minuterie quotidienne:

1 Appuyer sur la touche CLOCK/TIMER jusqu'à ce que l'indication "DAILY" s'affiche.

2 Appuyer sur la touche CANCEL de l'appareil.

L'indication "OFF" apparaît et l'indicateur de la minuterie (●) et l'indicateur "DAILY" s'éteignent.

Pour réactiver la minuterie quotidienne après son annulation:

1 Appuyer de manière répétitive sur la touche CLOCK/TIMER de l'appareil jusqu'à ce que l'indication "DAILY" s'affiche.

A ce stade, l'indicateur "DAILY" clignote et l'indicateur de la minuterie (●) s'allume sur l'affichage.

2 Appuyer sur la touche SET de l'appareil.

"ON" (sous tension) apparaît sur l'affichage.

L'indicateur de la minuterie (●) et l'indicateur quotidien "DAILY" restent allumés, puis l'affichage initial réapparaît.

Remarque

- Si le système est débranché ou en cas de coupure de courant, la programmation de la minuterie s'efface après quelques jours. Vous devrez alors commencer par remettre l'horloge à l'heure avant de programmer la minuterie.

Programmation de la minuterie REC (Enregistrement)

La minuterie d'enregistrement permet d'enregistrer une émission radio sur cassette sans que votre présence soit nécessaire.

Remarques

- Vous pouvez programmer la minuterie d'enregistrement REC lorsque le système est sous ou hors tension.
- Effectuer chacun des réglages dans les 30 secondes environ. Sinon, le réglage sera effacé et vous devrez répéter toute la procédure depuis le début.
- Si vous avez commis une erreur dans la programmation de la minuterie, appuyer sur la touche CANCEL de l'appareil. Cela ne permet cependant pas toujours d'annuler la programmation. Si la touche CANCEL ne fonctionne pas, appuyer à plusieurs reprises sur la touche CLOCK/TIMER de l'appareil jusqu'à ce que l'affichage d'origine reparaisse et recommencer depuis le début.

Sur l'appareil

Vous pouvez programmer l'heure comme pour la minuterie quotidienne.

1 Insérer une cassette vierge ou effaçable dans la platine B et bobiner l'amorce.

2 Appuyer sur la touche CLOCK/TIMER jusqu'à ce que l'indication "ON TIME" apparaisse immédiatement après "REC" sur l'affichage.

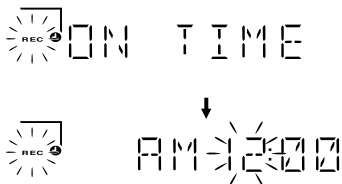
L'indicateur de la minuterie (●) s'allume et l'indicateur "REC" clignote.

Chaque fois que vous appuyez sur la touche, l'affichage change comme suit:

DAILY (QUOTIDIENNE) → ON TIME (HEURE D'ACTIVATION) → REC (ENREGISTREMENT) → ON TIME* (HEURE D'ACTIVATION) → Réglage de l'horloge → Annulé → (retour au début)

*: Sélectionner cet élément pour la programmation de la minuterie d'enregistrement REC.

Alors, le système se met en mode de programmation de l'heure d'activation. L'heure d'activation actuellement programmée apparaît et les chiffres des heures clignotent.



3 Programmation de l'heure à laquelle vous souhaitez que le système s'allume.

1. Appuyer sur les touches ►► ou ◄◄ pour régler l'heure puis appuyer sur SET.

2. Appuyer sur les touches ►► ou ◄◄ pour régler les minutes puis appuyer sur SET.

L'indication "OFF TIME" (heure d'extinction) s'affiche puis le système se met en mode de programmation de l'heure d'extinction. L'heure d'extinction actuellement programmée apparaît et les chiffres des heures clignotent.

4 Programmation de l'heure à laquelle vous souhaitez que le système s'éteigne.

1. Appuyer sur les touches ►► ou ◄◄ pour régler l'heure puis appuyer sur SET.

2. Appuyer sur les touches ►► ou ◄◄ pour régler les minutes puis appuyer sur SET.

Le système se met en mode d'entrée des présélections.

5 Sélectionner la station présélectionnée souhaitée pour l'enregistrement.

1. Appuyer sur les touches ►► ou ◄◄ pour régler la bande (TUNER FM ou TUNER AM) puis appuyer sur SET.

2. Appuyer sur les touches ►► ou ◄◄ pour valider le numéro de présélection puis appuyer sur SET.

6 Réglage du volume

Appuyer sur les touches ►► ou ◄◄ pour sélectionner le volume.

VOL -- : Le volume actuel est utilisé.

MIN, 1-31 ou MAX: Lorsque la minuterie s'active, le volume est automatiquement réglé sur le niveau sélectionné.



7 Appuyer sur la touche SET.

Le réglage de la minuterie est terminé et l'affichage revient à l'affichage initial avant que vous ayez réglé la minuterie.

8 Appuyer sur la touche ⏻/| STANDBY/ON pour mettre le système hors tension, si nécessaire.

L'indicateur de la minuterie (●) et l'indicateur "REC" sont allumés sur l'affichage pour signaler que la minuterie quotidienne est activée.

Pour confirmer/modifier le réglage de la minuterie, répéter la programmation depuis le début.

Lorsque l'heure d'activation est atteinte:

- Lorsque l'heure d'activation est atteinte, le système se met automatiquement sous tension. Vous entendez alors la station programmée. L'indicateur de la minuterie (●) clignote pendant tout le fonctionnement de la minuterie. Pour arrêter l'enregistrement avec minuterie, appuyer sur la touche ■.
- Lorsque l'heure d'extinction de la minuterie approche, le système se met automatiquement hors tension.

Remarque

- Si le système est déjà sous tension lorsque l'heure d'activation de la minuterie est atteinte, la minuterie REC ne fonctionne pas.

Activation et désactivation de la minuterie REC (Enregistrement)

Lorsque vous avez programmé la minuterie d'enregistrement REC pour enregistrer une source, ce réglage est automatiquement mémorisé. De ce fait, même si la minuterie REC se désactive après utilisation, vous pouvez rappeler sa programmation à tout moment.

Pour annuler provisoirement la minuterie REC:

1 Appuyer de manière répétitive sur la touche CLOCK/TIMER de l'appareil jusqu'à ce que l'indication "REC" s'affiche.

2 Appuyer sur la touche CANCEL de l'appareil.

L'indication "OFF" apparaît et l'indicateur de la minuterie (●) et l'indicateur "REC" s'éteignent.

Pour réactiver la minuterie REC après son annulation:

1 Appuyer de manière répétitive sur la touche CLOCK/TIMER de l'appareil jusqu'à ce que l'indication "REC" s'affiche.

L'indicateur de la minuterie (●) et l'indicateur "REC" clignotent alors sur l'affichage.

2 Appuyer sur la touche SET de l'appareil.

"ON" (sous tension) apparaît sur l'affichage. L'indicateur de la minuterie (●) et l'indication "REC" restent allumés, puis l'affichage initial réapparaît.

Remarque

- Si le système est débranché ou en cas de coupure de courant, la programmation de la minuterie s'efface après quelques jours. Vous devrez alors commencer par remettre l'horloge à l'heure avant de programmer la minuterie.

Programmation de la minuterie SLEEP

Utiliser la minuterie Bonsoir pour éteindre le système après un certain nombre de minutes d'écoute. La programmation de la minuterie Bonsoir vous permet de vous endormir en musique sans vous soucier de le système, qui s'éteint automatiquement.

- Vous pouvez uniquement programmer la minuterie Bonsoir lorsque le système est sous tension.

Utilisation de la télécommande

1 Pendant la lecture d'une source, appuyer sur la touche SLEEP.

L'indicateur "SLEEP" se met à clignoter sur l'affichage.

2 Régler la durée d'écoute de la source avant l'extinction de le système.

Chaque fois que vous appuyez sur la touche SLEEP, la durée change comme suit:

10 → 20 → 30 → 60 → 90 → 120 → OFF → (retour au début)



3 Attendre 5 secondes.

L'indicateur "SLEEP" arrête de clignoter et reste allumé puis l'affichage initial reparait.

Le système est à présent réglée pour se mettre hors tension après le nombre de minutes programmé.

Pour vérifier l'heure d'extinction Bonsoir:

Lorsque vous appuyez sur la touche SLEEP de la télécommande, le temps restant avant l'extinction s'affiche. Attendre que l'affichage initial reparaisse.

Pour annuler la programmation de la minuterie SLEEP:

Appuyer sur la touche SLEEP de la télécommande jusqu'à ce que l'indicateur "SLEEP" s'éteigne.

- Vous pouvez également annuler la minuterie SLEEP en mettant le système hors tension.

Remarque

- Lorsque la minuterie REC ou la minuterie DAILY est en train de fonctionner, la minuterie SLEEP ne peut être réglée.

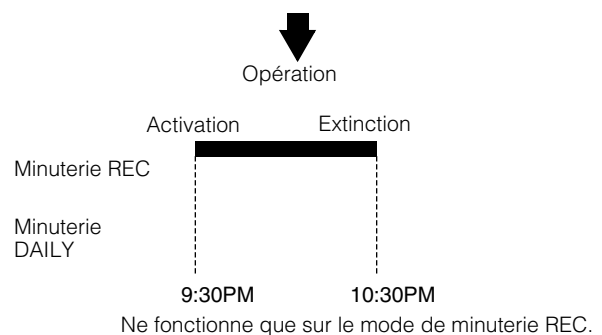
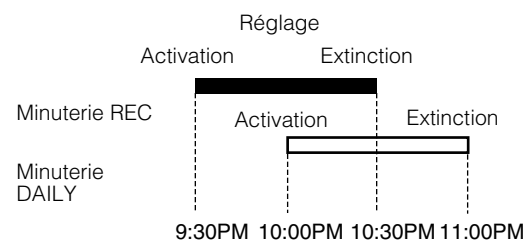
Priorité des minuteries

Etant donné que la minuterie REC et la minuterie DAILY peuvent être réglées séparément, vous pouvez vous demander ce qui se passera en cas de chevauchement des réglages. Voici comment fonctionnent les priorités pour la minuterie REC et la minuterie DAILY.

- Une minuterie avec un réglage de l'heure antérieur aura la priorité. La minuterie ne fonctionnera pas lorsqu'une autre minuterie est en train de fonctionner.
- Si une autre minuterie est réglée exactement sur la même heure que la minuterie REC, la minuterie REC aura la priorité.

❑ La minuterie REC et la minuterie DAILY ne fonctionneront pas lorsque la minuterie SLEEP est en train de fonctionner.

Exemple



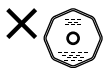
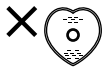
Nettoyage et entretien

Manipuler vos CD et vos cassettes avec grand soin, pour qu'ils durent plus longtemps.

Disques compacts



- Seuls les CD portant ces marques peuvent être utilisés dans ce lecteur. Cependant, l'utilisation continue de CD de formes irrégulières (en forme de cœur, octogonaux, etc.) risque d'endommager le système.



- Précautions pour la lecture de disques à double face
La face non DVD d'un disque à "Dual-Disc" n'est pas compatible avec le standard "Compact Disc Digital Audio". Par conséquent, l'utilisation de la face non DVD d'un disque à double face sur cet appareil n'est pas recommandée.



- Retirer le CD de son boîtier en le tenant par les bords et en appuyant légèrement sur l'orifice central du boîtier.
- Ne jamais toucher la surface brillante du CD ni plier le CD.



- Remettre le CD dans son boîtier pour éviter qu'il ne s'abîme.
- Faire attention de ne pas griffer la surface du CD lorsque vous le remettez dans son boîtier.
- Éviter d'exposer les CD aux rayons directs du soleil, à des températures extrêmes et à l'humidité.



- Le son d'un CD sale risque d'être déformé. Dans ce cas, essuyer le CD avec un chiffon doux en effectuant des mouvements rectilignes du centre vers le bord extérieur.

ATTENTION:

- Ne jamais utiliser de solvants (par exemple des produits de nettoyage pour disques vinyles, des diluants à pulvériser, de l'essence, etc.) pour nettoyer les CD.

Remarques générales

En général, vous aurez une meilleure qualité de son si vous conservez vos CD et le mécanisme en parfait état de propreté.

- Ranger toujours les CD dans leurs boîtiers puis les conserver dans des armoires ou sur des étagères.
- Toujours maintenir le couvercle supérieur de le système fermé lorsque vous ne l'utilisez pas.

Condensation de l'humidité

Dans les circonstances suivantes, de l'humidité risque de se condenser sur la lentille se trouvant à l'intérieur du système:

- Après la mise en marche du chauffage dans la pièce.
- Dans une pièce humide.
- Si le système est transportée directement d'un endroit froid vers un endroit chauffé.

Dans de telles circonstances, le système risque de mal fonctionner. Laissez-la alors sous tension pendant quelques heures jusqu'à ce que l'humidité s'évapore, débranchez le cordon d'alimentation puis rebranchez-le.

Cassettes



- Si la bande n'est pas suffisamment tendue dans la cassette, retendez-la en faisant tourner un crayon inséré dans un des orifices centraux des bobines.
- Si la bande est lâche, elle risque de s'étirer, de se couper ou de se prendre dans les mécanismes de la cassette.



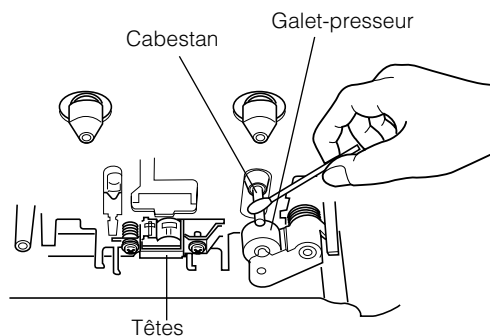
- Ne jamais toucher la surface de la bande.



- Ne jamais ranger les cassettes:
 - Dans des endroits poussiéreux
 - Sous les rayons directs du soleil ou à proximité d'une source de chaleur
 - Dans des endroits humides
 - Sur un téléviseur ou une enceinte acoustique
 - A proximité d'un aimant

Platine à cassette

- Si les têtes, les cabestans et les galets-presseurs des platines à cassette sont sales, vous aurez les problèmes suivants:
 - Une perte de la qualité sonore
 - Un son discontinu
 - Le son s'estompe
 - Un effacement incomplet
 - Des difficultés à enregistrer
- Nettoyer les têtes, les cabestans et les galets-presseurs à l'aide d'un coton-tige trempé dans de l'alcool.



- Si les têtes sont magnétisées, l'appareil produit des interférences ou perd les hautes fréquences.
- Pour démagnétiser les têtes, éteindre l'appareil et utiliser un démagnétiseur de têtes (disponible dans tous les magasins d'électronique ou de disques).

Guide de dépannage

- Si vous avez des problèmes avec votre système, vérifiez la liste ci-dessous en vue d'y trouver une solution éventuelle avant d'appeler le service technique.
- Si vous ne parvenez pas à résoudre les problèmes après avoir examiné les conseils donnés ou si le système est physiquement endommagé, appelez du personnel qualifié, comme votre revendeur, pour une intervention technique.

| Symptôme | Cause possible | Remède |
|---|---|--|
| Pas de son. | <ul style="list-style-type: none"> • Les branchements ne sont pas corrects ou sont trop lâches. • Un casque d'écoute est branché. | <ul style="list-style-type: none"> • Vérifier toutes les connexions et effectuer les corrections nécessaires. (Voir pages 4 à 6.) • Débrancher le casque d'écoute. |
| Mauvaise réception radio. | <ul style="list-style-type: none"> • L'antenne est débranchée. • L'antenne cadre AM est trop près de le système. • Le fil d'antenne FM n'est pas suffisamment tendu ou est mal placé. | <ul style="list-style-type: none"> • Rebrancher l'antenne correctement. • Changer la position et l'orientation de l'antenne cadre AM. • Étendre le fil d'antenne FM de manière à obtenir la meilleure réception possible. |
| Le tiroir de disque ne s'ouvre pas. | <ul style="list-style-type: none"> • Le cordon d'alimentation secteur n'est pas branché. • Le tiroir est verrouillé. | <ul style="list-style-type: none"> • Brancher le cordon d'alimentation secteur. • Déverrouiller le tiroir. (Voir page 15.) |
| Le CD saute. | Le CD est sale ou griffé. | Nettoyer le CD ou le remplacer. (Voir page 25.) |
| Le CD ne fonctionne pas. | Le CD est à l'envers. | Placer le CD avec les inscriptions vers le haut. |
| Le disque MP3 ne joue pas. | <ul style="list-style-type: none"> • Aucun fichiers MP3 n'est enregistré sur le disque. • Les fichiers MP3 n'ont pas d'extension de fichiers — .MP3, .Mp3, .mP3 ou .mp3 dans leurs noms de fichiers. • Les fichiers MP3 ne sont pas enregistrés dans le format satisfaisant au Niveau 1 ou au Niveau 2 de ISO9660. | Remplacer le disque. |
| La durée d'affichage du disque MP3 est trop longue. | La durée d'affichage change avec la complexité de la configuration d'enregistrement. | N'utilisez pas trop de hiérarchies et de dossiers lors d'un enregistrement. De même, n'enregistrez pas d'autres types de pistes sonores en même temps qu'avec des fichiers MP3. (Voir la page 11.) |
| Le porte-cassette ne s'ouvre pas. | Le cordon d'alimentation a été débranché pendant la lecture d'une cassette. | Brancher le cordon d'alimentation et mettre le système sous tension. |
| Impossible d'enregistrer. | Les languettes de protection de la cassette contre l'enregistrement ont été enlevées. | Recouvrir les orifices situés à l'arrière de la cassette avec du ruban adhésif. |
| Impossible de faire fonctionner la télécommande. | <ul style="list-style-type: none"> • L'espace entre la télécommande et l'appareil est obstrué. • Les piles sont épuisées. | <ul style="list-style-type: none"> • Retirer les obstacles. • Remplacer les piles. |
| Le fonctionnement est désactivé. | Le microprocesseur intégré fonctionne mal à cause d'interférences électriques externes. | Débrancher le système puis le rebrancher. |

Spécifications techniques

Amplificateur

Puissance de sortie 180 W par canal, min. RMS. pour 6 Ω à 1kHz, avec un maximum de 10% de distorsion harmonique totale

Sensibilité d'entrée/Impédance (1 kHz)

AUX IN 400 mV/50 kΩ
 Bornes des haut-parleurs 6 - 16 Ω
 Prise Phones 32 Ω - 1 kΩ
 sortie de 15 mW/voie pour 32 Ω

Platine à cassette

Réponse en fréquence Type I (NORMAL) 63 Hz - 12 500 Hz
 Pleurage et scintillement 0,15% (W efficaces)

Lecteur CD

Capacité de CD 3 CD
 Plage dynamique 85 dB
 Rapport signal-bruit 85 dB
 Pleurage et scintillement Non mesurable

Tuner

Tuner FM 87,5 MHz - 108,0 MHz
 Plage de syntonisation Tuner AM 530 kHz - 1 710 kHz

Appareil

Dimensions 270 mm × 306 mm × 456 mm (L/H/P)
 (10 - 11/16" × 12 - 1/16" × 18")
 Poids Environ 8,6 kg (19,0 lbs)

Spécifications des haut-parleurs (pour chaque élément) SP-MXKC4

Type Bass reflex, 3 voies
 Enceintes acoustiques Woofer: cône 16cm (6-5/16") × 1
 Moyennes: cône 5cm (2") × 1
 Tweeter: dôme 2cm (13/16") × 1
 Capacité de traitement de puissance 180W
 Impédance 6 Ω
 Plage de fréquences 45 Hz - 22 000 Hz
 Niveau de pression sonore 87 dB/wm
 Dimensions 266 mm × 333 mm × 241 mm (L/H/P)
 (10-1/2" × 13-1/8" × 9-1/2")
 Poids Environ 3,9 kg (8,6 lbs)

Accessoires

Antenne cadre AM (1)
 Télécommande (1)
 Piles R6P(SUM-3)/AA(15F) (2)
 Fil d'antenne FM (1)

Spécifications d'alimentation

Alimentation requise CA 120 V~, 60 Hz
 Consommation électrique 150 W (mode sous tension)
 22 W (en veille)

La conception et les spécifications peuvent être sujettes à modifications sans avis préalable.

JVC

Free Manuals Download Website

<http://myh66.com>

<http://usermanuals.us>

<http://www.somanuals.com>

<http://www.4manuals.cc>

<http://www.manual-lib.com>

<http://www.404manual.com>

<http://www.luxmanual.com>

<http://aubethermostatmanual.com>

Golf course search by state

<http://golfingnear.com>

Email search by domain

<http://emailbydomain.com>

Auto manuals search

<http://auto.somanuals.com>

TV manuals search

<http://tv.somanuals.com>