

ARSENAL

KS-AR8001D

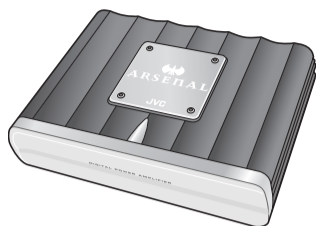
POWER AMPLIFIER: INSTRUCTIONS

AMPLIFICATEUR DE PUISSANCE: MANUEL D'INSTRUCTIONS

LVT1811-001A

[J]

ENGLISH



Thank you for purchasing an ARSENAL product. Please read all instructions carefully before operation, to ensure your complete understanding and to obtain the best possible performance from the unit.

This unit is designed to be connected to subwoofers.

For safety....

- Do not raise the volume level too much, as this will block outside sounds, making driving dangerous.
- Stop the car before performing any complicated operations.

CAUTIONS AND NOTES

This unit is designed to operate on **12 V DC, NEGATIVE ground electrical systems.**

- This unit uses BTL (Balanced Transformerless) amplifier circuitry, i.e., floating ground system, so comply with the following:
 - Do not connect the "⊖" terminals of the speakers to each other.
 - Do not connect the "⊖" terminals of the speakers to the metal body or chassis.
- Cover the unused terminals with insulating tape to prevent them from short circuiting.
- When an extension lead is used, it should be as thick and short as possible; connect it firmly with insulating tape.
- Be sure to leave an appropriate space between the antenna and the wires of this unit.
- When replacing the fuse, only use a 25 A fuse.
- Do not let pebbles, sand or metallic objects get inside the unit.
- To keep the heat dissipation mechanism running effectively, wipe the accumulated dust off periodically.
- Listening to the tape, radio, CD or Digital Audio Player, etc. with the volume set at a high level for a long period of time will exhaust the battery, while the engine is turned off or while the engine is idling.
- This unit becomes very hot. Be careful not to touch the unit not only when using but for a while after using.

DO NOT disassemble the units since there are no user serviceable parts inside.

For Customer Use:

Enter below the Model No. and Serial No. which are located on the top or bottom of the cabinet. Retain this information for future reference.

Model No. _____

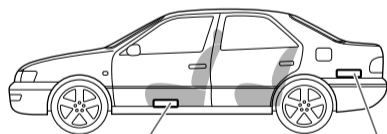
Serial No. _____

INSTALLATION

The following illustration shows a typical installation. However, you should make adjustments corresponding to your specific car. If you have any questions or require information regarding installation kits, consult your JVC car audio dealer or a company supplying the kits.

A Mount this unit on a firm surface, such as in the trunk or under the front seat.

- Since heat is generated in the unit, do not mount it near inflammable objects. In addition, mount it in an area that will not prevent the unit from dissipating the heat.
- Do not mount the unit in the places subject to heat: near a radiator, in a glove compartment or in insulated areas such as under a car mat that will prevent the unit from dissipating heat.
- When mounting the unit under the front seat, make sure that adjusting the seat position will not catch any wire of the unit.

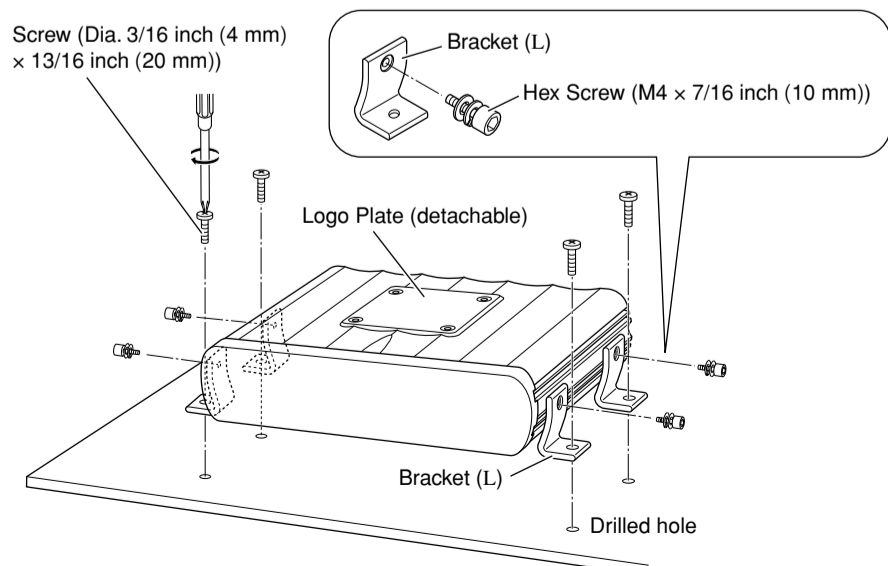


Under the front seat

Onto the trunk floor

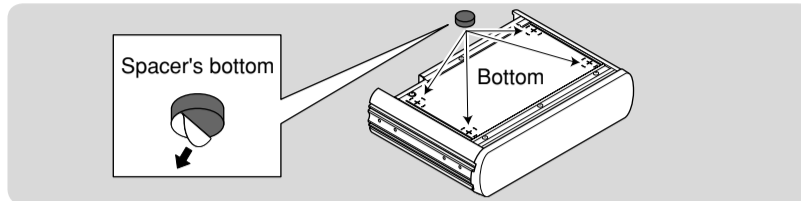
B When mounting this unit, be sure to use the provided screws. If any other screws are used, there is a risk of loosening the unit or damaging parts inside it.

- Before drilling holes in the trunk to install the unit, make sure that there is a sufficient space under the trunk so that you do not drill holes in the fuel tank, etc.
- To detach and rotate the Logo Plate, use the provided hex wrench (3 mm).



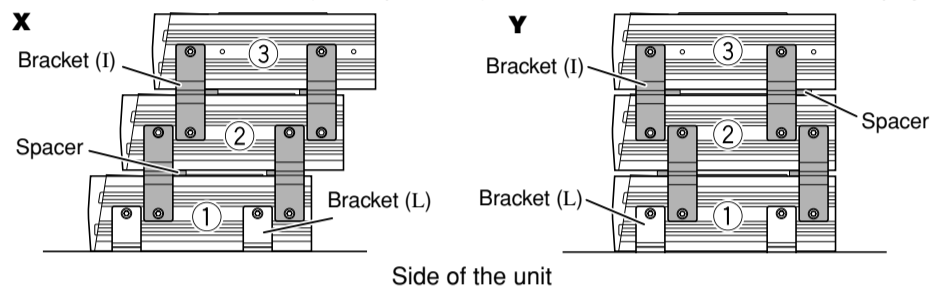
C When you use more than one KS-AR8000 series amplifier, you can pile up to three of them using the provided brackets and hex screws in two ways, X or Y.

- 1 Attach the provided spacers to the bottom of the amplifier (2 and 3).

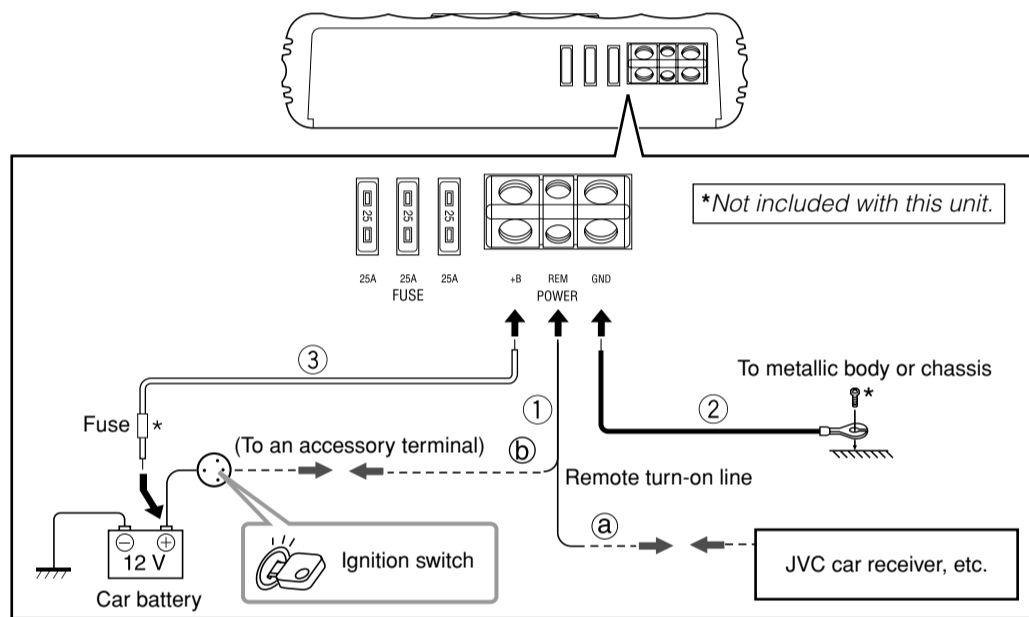


2 Fix the amplifiers on both sides with the brackets (1) as illustrated.

- Be sure to mount the lowest amplifier (1) as illustrated on B.
- Before piling amplifiers as X, first make the connections for the power supply (see "POWER SUPPLY" below) and speakers (see "SPEAKER CONNECTIONS" on page 2).



POWER SUPPLY



CAUTION

To prevent short circuits while making connections, keep the battery's negative terminal disconnected.

- 1 Remote turn-on line (not included with this unit)
 - a When you use a JVC car receiver with a remote lead, connect to the remote lead.
 - b When you connect a unit without a remote lead, connect to the accessory circuit of the car which is activated by the ignition switch. In this case, noise may occur when the car receiver is turned on or off. To avoid this noise, do not turn on or off the car receiver itself. You can turn on or off the car receiver along with the on/off operation of the ignition switch.
- 2 Ground lead (not included with this unit)
- 3 Power cord (not included with this unit)
 - When using a power cord, be sure to add a 40 A fuse near the battery as shown.
 - Connect to the battery's "⊕" terminal only after all the other connections have been made.

Note

If the Status lamp (see "CONTROLS" on page 3) lights in red, it indicates incorrect speaker wiring or connections. In this case, see "TROUBLESHOOTING" on page 3. Be sure to correct the speaker wiring and other connections.

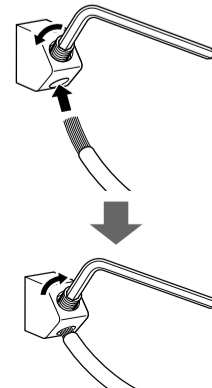
TERMINAL CONNECTIONS

The appropriate wire gauge for each terminal is as follows.

- POWER terminals:
 - +B and GND: AWG 8 to AWG 4 (The cross section is about 8 mm² to 21 mm².)
 - REM: AWG 18 to AWG 8 (The cross section is about 0.8 mm² to 8 mm².)
- SPEAKER OUTPUT terminals:
 - AWG 18 to AWG 8 (The cross section is about 0.8 mm² to 8 mm².)

If you have any questions regarding the thickness of the power cord, etc., consult your nearest JVC car audio dealer.

- 1 Peel off the insulating vinyl cover of a lead to expose the conductor inside.
 - The exposed conductor should be 5/16 inch (7 mm) to 7/16 inch (10 mm) long.
 - If shorter, it may cause poor conductivity.
 - If longer, it may cause a short circuit.
- 2 Loosen the hex screw in a terminal with the provided hex wrench and insert the conductor into the terminal.
 - Use the appropriate hex wrench for each terminal.
 - 4 mm: +B and GND terminals
 - 3 mm: REM and SPEAKER OUTPUT terminals
- 3 Fix the hex screw again to secure the conductor.



SPEAKER SYSTEMS

Make sure to comply with the following notes:

- Be sure not to connect the "⊖" terminals of the speakers to a common point.
- If the same lead is used to connect all of the speakers, this unit cannot be used. Always use independent leads for each speaker. In this case, redo the wiring.

- Use speakers with an impedance of $2\ \Omega$ to $8\ \Omega$.
- Use speakers which have sufficient capacity for the unit.

SPEAKER CONNECTIONS

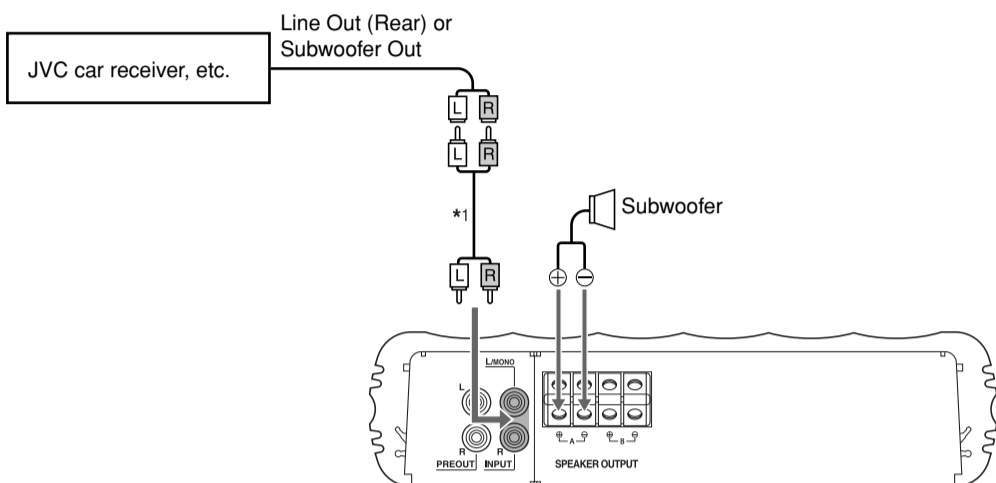
Connection varies depending on the number of the speakers used in your car. Select the appropriate connection referring to the following diagrams.

Before connecting:

- Securely connect all the parts. If the connections are loose, due to contact resistance etc., heat will break out and may cause an accident. Secure and cover the cords with insulating tape and run them under the car mats.

Connect the Line Output from the receiver to the INPUT jacks on this unit using RCA pin cords (not included with this unit).

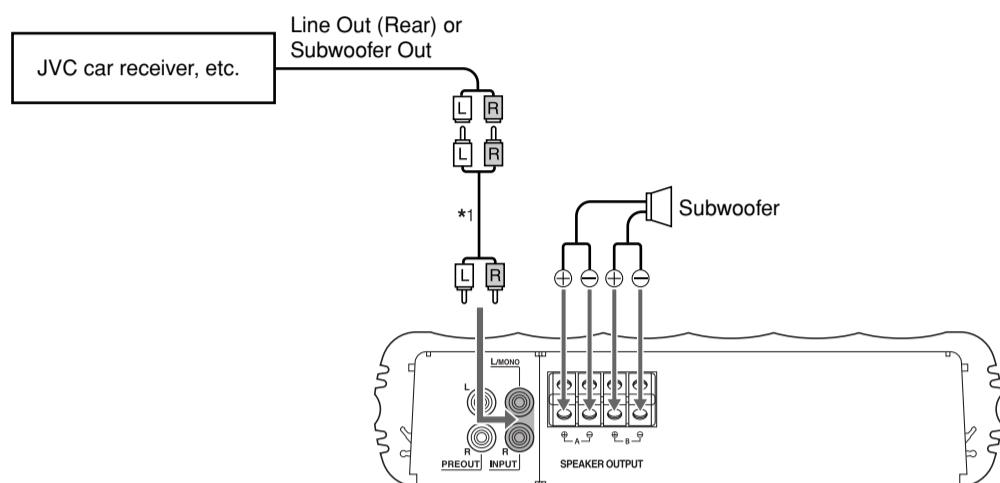
Subwoofer system



Note

Use a subwoofer with an impedance of $2\ \Omega$ to $8\ \Omega$.

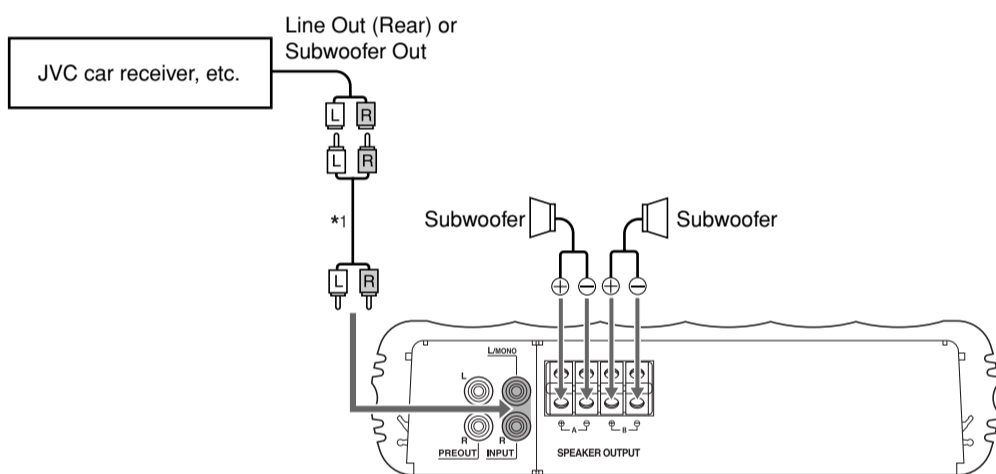
Subwoofer system (2-channel output)



Note

Use subwoofers with an impedance of $4\ \Omega$ to $8\ \Omega$.

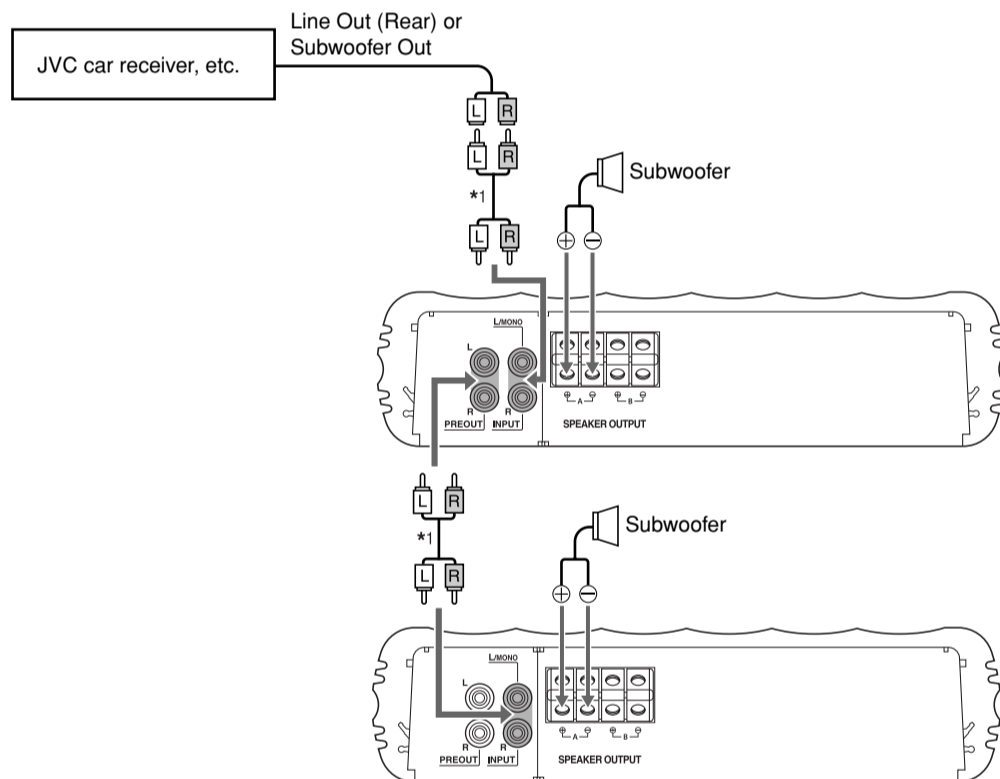
2-subwoofer system



Note

Use subwoofers with an impedance of $4\ \Omega$ to $8\ \Omega$.

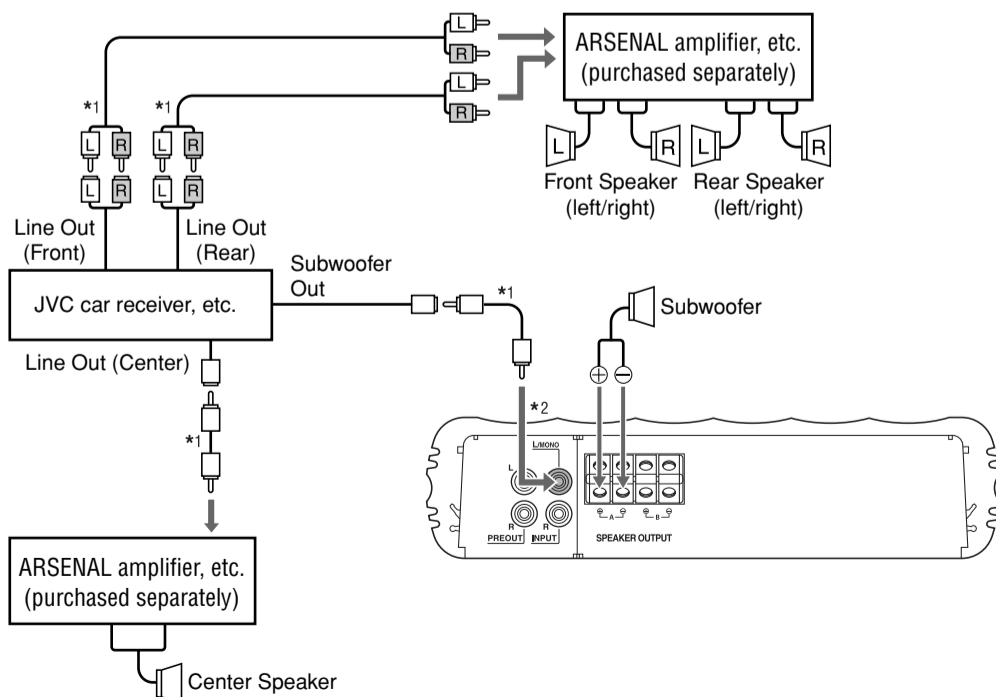
2-subwoofer system (2 amplifiers)



Note

Incoming signals are emitted through the PRE OUT jacks.

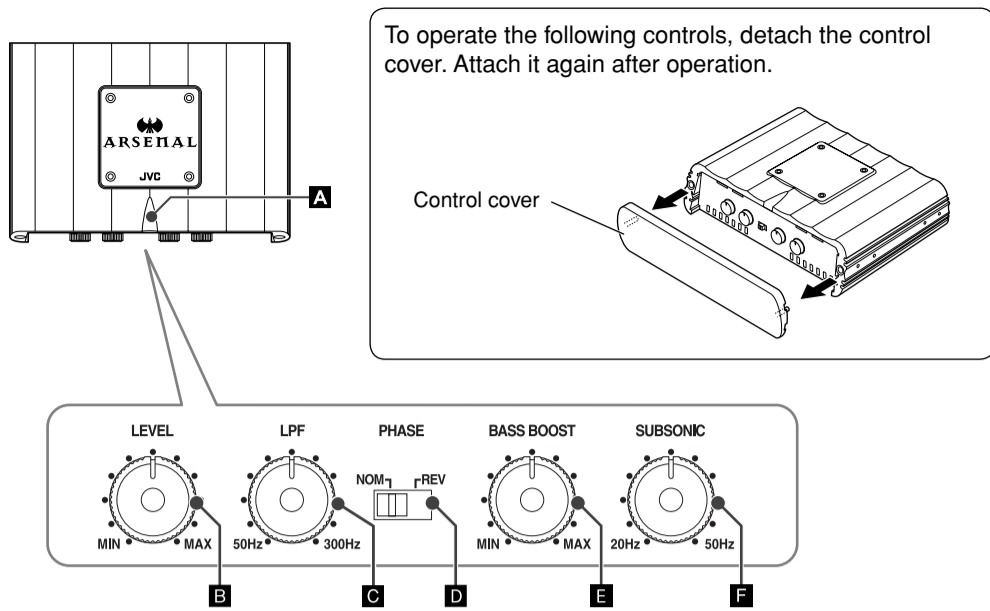
5-speaker system plus subwoofer—5.1-channel (3 amplifiers)



*1 RCA pin cords (not included with this unit)

*2 Be sure to connect the line output from the receiver to the left (L/MONO) jack on this unit.

CONTROLS



A Status lamp

The lamp normally lights in blue while the unit is turned on.

- When the lamp does not light
- When the lamp lights in red
- When the lamp lights in violet frequently
- It indicates there may be a problem. See "TROUBLESHOOTING" on the right column.

B Input LEVEL controller

The input level can be adjusted with this control when this unit is connected to other source equipment. Adjust the level while listening to the sound. This control is preset to MIN when the unit is shipped.

C LPF (Low-Pass Filter) controller

Adjust the cutoff frequency (the Low-Pass Filter transmits frequencies lower than the cutoff frequency) within the range of 50 Hz to 300 Hz. Adjust the level while listening to the sound. This control is preset to 50 Hz when the unit is shipped.

D PHASE switch

Select either normal (NOM) or reverse (REV), whichever reproduces a better sound. This switch is preset to NOM when the unit is shipped.

E BASS BOOST controller

Turning this boosts the 45 Hz frequency within the range of 0 dB to +18 dB. Adjust the level while listening to the sound. This control is preset to MIN when the unit is shipped.

F SUBSONIC filter controller

Adjust the cutoff frequency (the subsonic filter rejects frequencies lower than the cutoff frequency) within the range of 20 Hz to 50 Hz. This control is preset to 20 Hz when the unit is shipped.

Connecting the wired remote control unit—RM-RK130 (purchased separately)

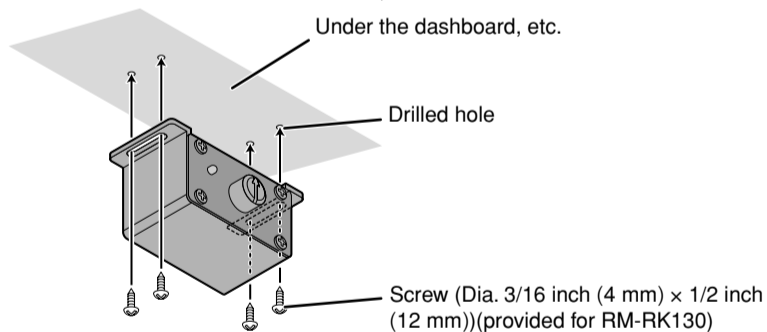
Using JVC's wired remote control unit: RM-RK130, you can adjust the bass boost from your seat without having to adjust the BASS BOOST controller on the amplifier (see "CONTROLS" above).

Note

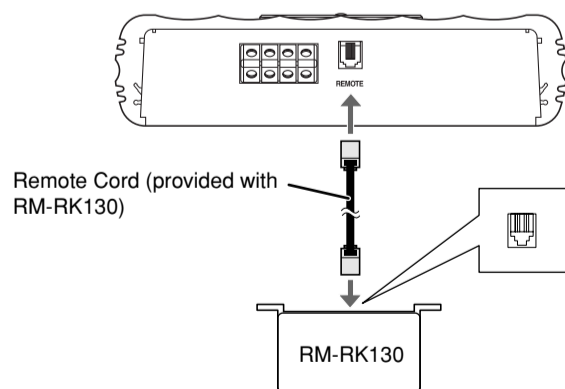
Set the BASS BOOST controller on the amplifier to MIN when you use RM-RK130.

Installation

- 1 Mount RM-RK130 on a firm surface, such as under the dashboard.

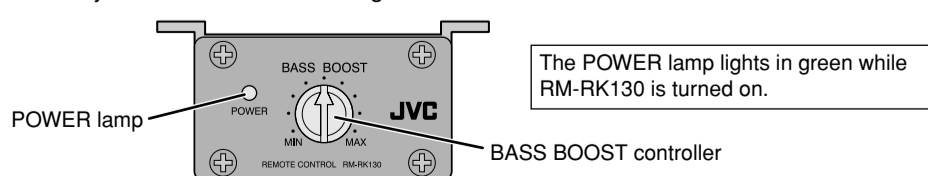


- 2 Connect RM-RK130 to the REMOTE terminal on the amplifier with the Remote Cord provided with RM-RK130.



Using the controller

The BASS BOOST controller boosts the 45 Hz frequency within the range of 0 dB to 18 dB. Adjust the level while listening to the sound.



TROUBLESHOOTING

For more details, consult your JVC car audio dealer.

The Status lamp does not light.

- Change the fuses if the current one is blown.
- Confirm the connections for the power supply (see "POWER SUPPLY" on page 1).
- Connect the ground lead securely to a metal part of the car.
- Turn on the equipment connected to this unit.
- Use a relay if your system employs so many amplifiers.
- Confirm the battery voltage (11 V to 16 V).

The Status lamp lights in red and/or the unit heats up abnormally.

- Use speakers of a suitable impedance.
- Correct the speaker wirings if they are short-circuited.
- Leave the unit turned off for a while to cool it down.

The Status lamp lights in violet frequently. (Clipping*)

- Lower the input level with the Input LEVEL controller until the lamp lights in violet a few times.
- * It means that the amplifier circuits are overloaded and the sound may distort due to too much input from the car receiver.

No sound is heard.

- Confirm the connections for the power supply (see "POWER SUPPLY" on page 1).
- Connect the RCA pin cords to the INPUT jacks.
- Confirm the speaker wirings (See "SPEAKER CONNECTIONS" on page 2).


Alternator noise is heard.

- Keep the leads of the POWER terminals away from the RCA pin cords.
- Keep the RCA pin cords away from other electrical cables in the car.
- Connect the ground lead securely to a metal part of the car.
- Make sure the negative speaker leads do not touch the car chassis.
- Replace the plugs or use plugs with load resistors.
- Connect a bypass capacitor across the accessory switches (horn, fan, etc.).

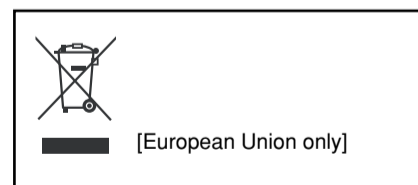
Noise is made when you connect the unit to an AM tuner.

- Move all the leads of this unit away from the antenna lead.

SPECIFICATIONS

Power Output	700 W RMS x 1 channel at 4 Ω and ≤ 1% THD + N	
Signal-to-Noise Ratio	80 dBA (reference: 1 W into 4 Ω)	
Maximum Power Output	800 W	
Power Output	700 W RMS x 1 channel at 4 Ω and ≤ 1% THD + N 700 W RMS x 1 channel at 2 Ω and ≤ 1% THD + N	
Load Impedance	4 Ω (2 Ω to 8 Ω allowance)	
Frequency Response	20 Hz to 300 Hz* (+0, -3 dB) * Subsonic filter cuts off extremely low frequency signals. (The cutoff frequency is adjustable within the range of 20 Hz to 50 Hz.)	
Input Sensitivity/Impedance	2 V / 44 kΩ (0.3 V to 6 V, variable)	
Distortion	Less than 0.04% (at 100 Hz)	
Power Requirement	DC 14.4 V (11 V to 16 V allowance)	
Grounding system	Negative ground	
Dimensions (W×H×D)	9-7/8 inch × 2-1/2 inch × 7-3/16 inch (250 mm × 62 mm × 182 mm)	
Mass (approx.)	5.9 lbs. (2.7 kg)	
Accessories	Screw (Dia. 3/16 inch (4 mm) × 13/16 inch (20 mm)) × 4 Hex Screw (M4 × 7/16 inch (10 mm)) × 8 Hex wrench 4 mm × 1 3 mm × 1 Spacer × 4 Bracket L × 4 I × 4	

Design and specifications are subject to change without notice.



JVC

EN, FR
© 2007 Victor Company of Japan, Limited

1207KMMMDWTCK

ENGLISH



Thank you for purchasing a JVC product. Please read all instructions carefully before operation, to ensure your complete understanding and to obtain the best possible performance from the unit.

This unit is designed to be connected to subwoofers.

For safety....

- Do not raise the volume level too much, as this will block outside sounds, making driving dangerous.
- Stop the car before performing any complicated operations.

CAUTIONS AND NOTES

This unit is designed to operate on **12 V DC, NEGATIVE ground electrical systems.**

- This unit uses BTL (Balanced Transformerless) amplifier circuitry, i.e., floating ground system, so comply with the following:

Do not connect the "⊖" terminals of the speakers to each other.

Do not connect the "⊖" terminals of the speakers to the metal body or chassis.

- Cover the unused terminals with insulating tape to prevent them from short circuiting.
- When an extension lead is used, it should be as thick and short as possible; connect it firmly with insulating tape.
- Be sure to leave an appropriate space between the antenna (aerial) and the wires of this unit.
- When replacing the fuse, only use a 25 A fuse.
- Do not let pebbles, sand or metallic objects get inside the unit.
- To keep the heat dissipation mechanism running effectively, wipe the accumulated dust off periodically.
- Listening to the tape, radio, CD or Digital Audio Player, etc. with the volume set at a high level for a long period of time will exhaust the battery, while the engine is turned off or while the engine is idling.
- This unit becomes very hot. Be careful not to touch the unit not only when using but for a while after using.

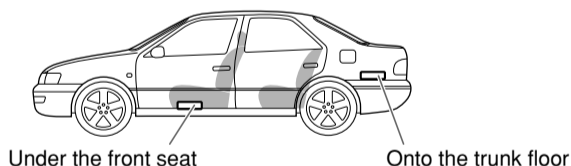
DO NOT disassemble the units since there are no user serviceable parts inside.

INSTALLATION

The following illustration shows a typical installation. However, you should make adjustments corresponding to your specific car. If you have any questions or require information regarding installation kits, consult your "JVC IN-CAR ENTERTAINMENT" car audio dealer or a company supplying the kits.

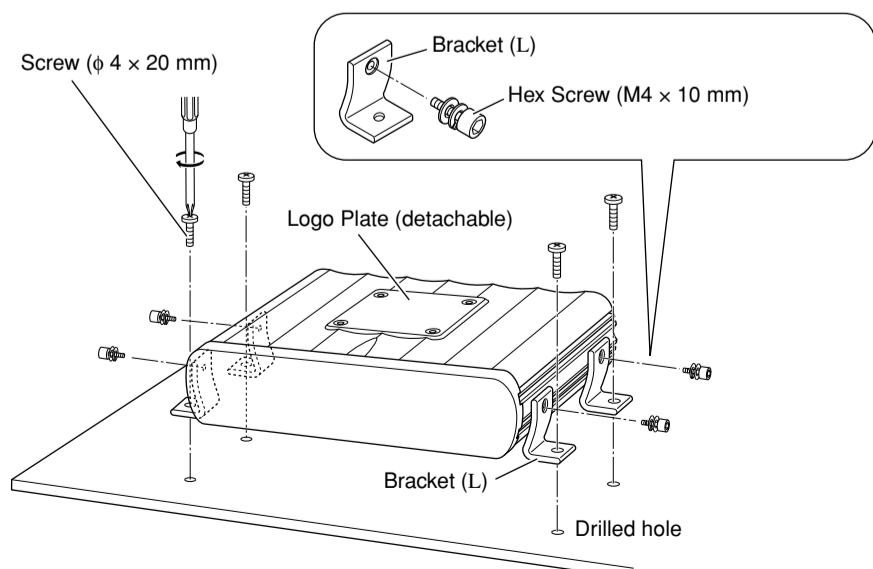
A Mount this unit on a firm surface, such as in the trunk or under the front seat.

- Since heat is generated in the unit, do not mount it near inflammable objects. In addition, mount it in an area that will not prevent the unit from dissipating the heat.
- Do not mount the unit in the places subject to heat: near a radiator, in a glove compartment or in insulated areas such as under a car mat that will prevent the unit from dissipating heat.
- When mounting the unit under the front seat, make sure that adjusting the seat position will not catch any wire of the unit.



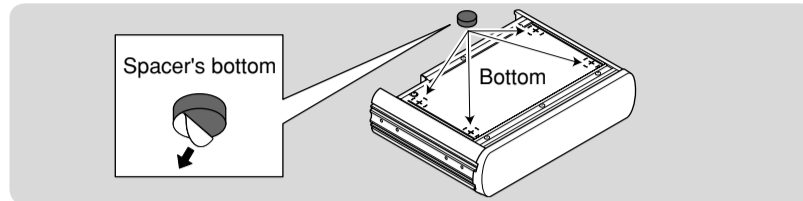
B When mounting this unit, be sure to use the provided screws. If any other screws are used, there is a risk of loosening the unit or damaging parts inside it.

- Before drilling holes in the trunk to install the unit, make sure that there is a sufficient space under the trunk so that you do not drill holes in the fuel tank, etc.
- To detach and rotate the Logo Plate, use the provided hex wrench (3 mm).



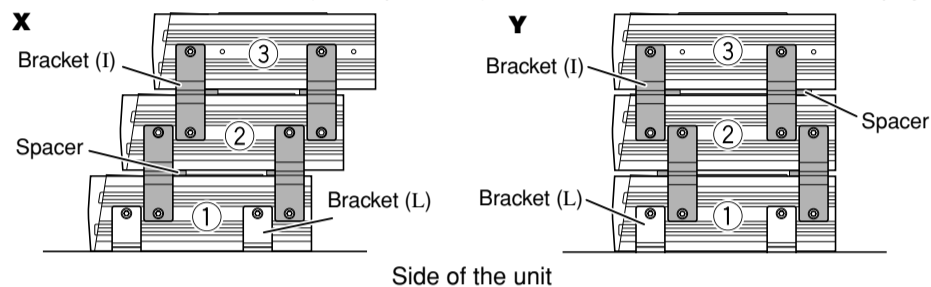
C When you use more than one KS-AR8000 series amplifier, you can pile up to three of them using the provided brackets and hex screws in two ways, X or Y.

- 1 Attach the provided spacers to the bottom of the amplifier (2 and 3).

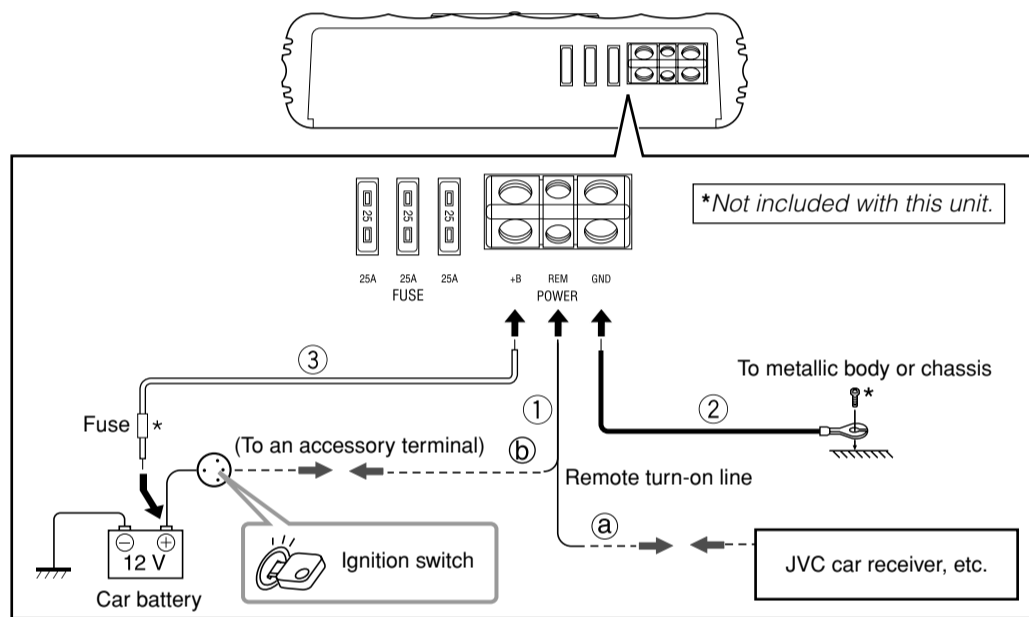


- 2 Fix the amplifiers on both sides with the brackets (1) as illustrated.

- Be sure to mount the lowest amplifier (1) as illustrated on B.
- Before piling amplifiers as X, first make the connections for the power supply (see "POWER SUPPLY" below) and speakers (see "SPEAKER CONNECTIONS" on page 2).



POWER SUPPLY



CAUTION

To prevent short circuits while making connections, keep the battery's negative terminal disconnected.

- 1 Remote turn-on line (not included with this unit)
 - a When you use a JVC car receiver with a remote lead, connect to the remote lead.
 - b When you connect a unit without a remote lead, connect to the accessory circuit of the car which is activated by the ignition switch. In this case, noise may occur when the car receiver is turned on or off. To avoid this noise, do not turn on or off the car receiver itself. You can turn on or off the car receiver along with the on/off operation of the ignition switch.
- 2 Ground lead (not included with this unit)
- 3 Power cord (not included with this unit)
 - When using a power cord, be sure to add a 40 A fuse near the battery as shown.
 - Connect to the battery's "⊕" terminal only after all the other connections have been made.

Note

If the Status lamp (see "CONTROLS" on page 3) lights in red, it indicates incorrect speaker wiring or connections. In this case, see "TROUBLESHOOTING" on page 3. Be sure to correct the speaker wiring and other connections.

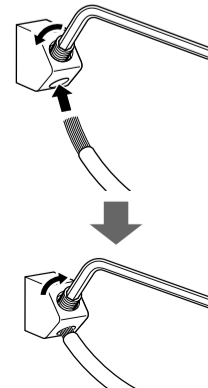
TERMINAL CONNECTIONS

The appropriate wire gauge for each terminal is as follows.

- POWER terminals:
 - +B and GND: Cross section of 8 mm² to 21 mm²
 - REM: Cross section of 0.8 mm² to 8 mm²
- SPEAKER OUTPUT terminals:
 - Cross section of 0.8 mm² to 8 mm²

If you have any questions regarding the thickness of the power cord, etc., consult your nearest "JVC IN-CAR ENTERTAINMENT" car audio dealer.

- 1 Peel off the insulating vinyl cover of a lead to expose the conductor inside.
 - The exposed conductor should be 7 mm to 10 mm long.
 - If shorter, it may cause poor conductivity.
 - If longer, it may cause a short circuit.
- 2 Loosen the hex screw in a terminal with the provided hex wrench and insert the conductor into the terminal.
 - Use the appropriate hex wrench for each terminal.
 - 4 mm: +B and GND terminals
 - 3 mm: REM and SPEAKER OUTPUT terminals
- 3 Fix the hex screw again to secure the conductor.



SPEAKER SYSTEMS

Make sure to comply with the following notes:

- Be sure not to connect the "⊖" terminals of the speakers to a common point.
- If the same lead is used to connect all of the speakers, this unit cannot be used. Always use independent leads for each speaker. In this case, redo the wiring.

- Use speakers with an impedance of 2 Ω to 8 Ω.
- Use speakers which have sufficient capacity for the unit.

SPEAKER CONNECTIONS

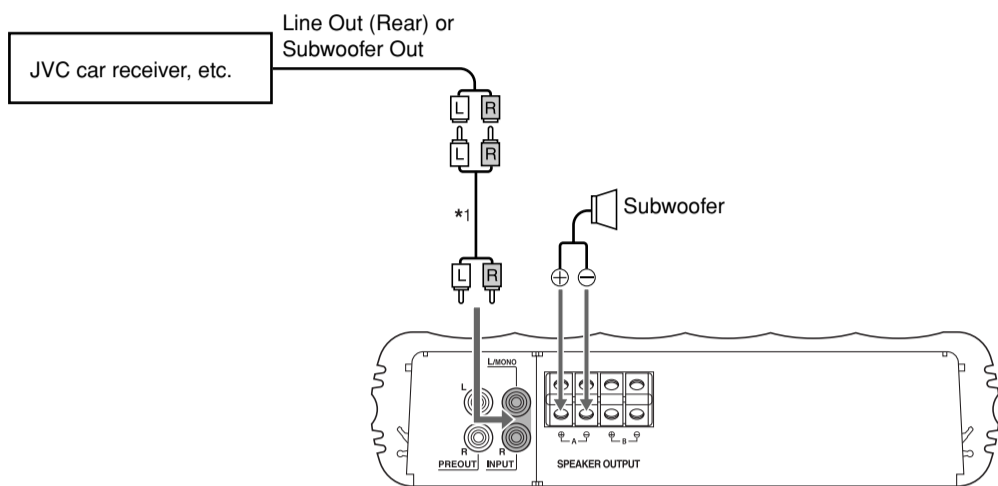
Connection varies depending on the number of the speakers used in your car. Select the appropriate connection referring to the following diagrams.

Before connecting:

- Securely connect all the parts. If the connections are loose, due to contact resistance etc., heat will break out and may cause an accident. Secure and cover the cords with insulating tape and run them under the car mats.

Connect the Line Output from the receiver to the INPUT jacks on this unit using RCA pin cords (not included with this unit).

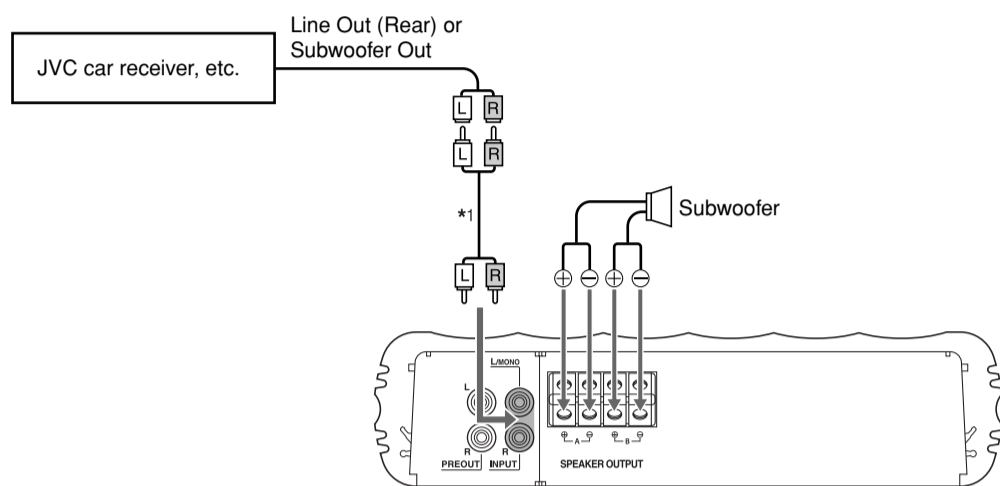
Subwoofer system



Note

Use a subwoofer with an impedance of 2 Ω to 8 Ω.

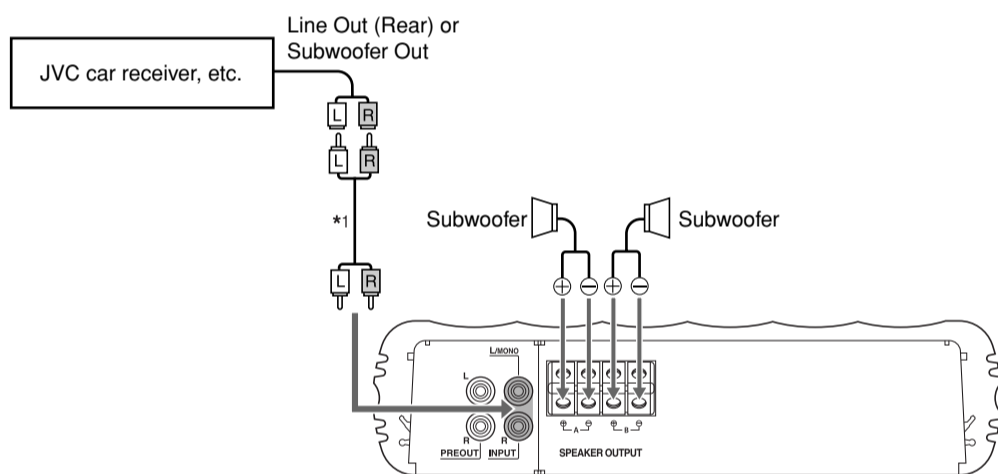
Subwoofer system (2-channel output)



Note

Use subwoofers with an impedance of 4 Ω to 8 Ω.

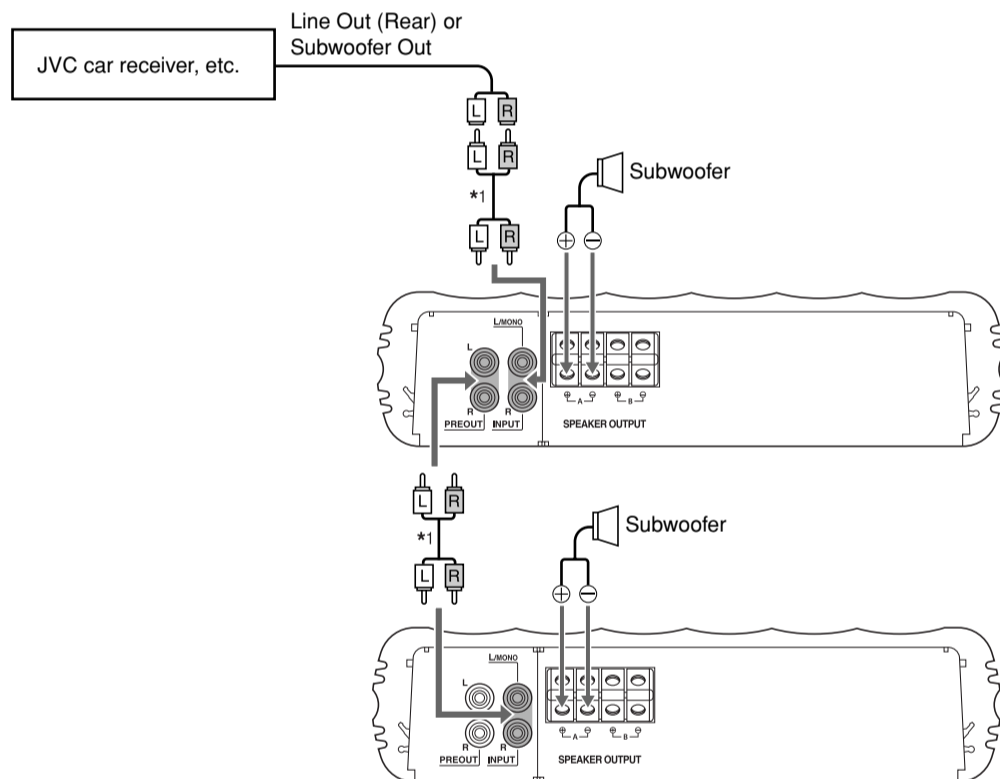
2-subwoofer system



Note

Use subwoofers with an impedance of 4 Ω to 8 Ω.

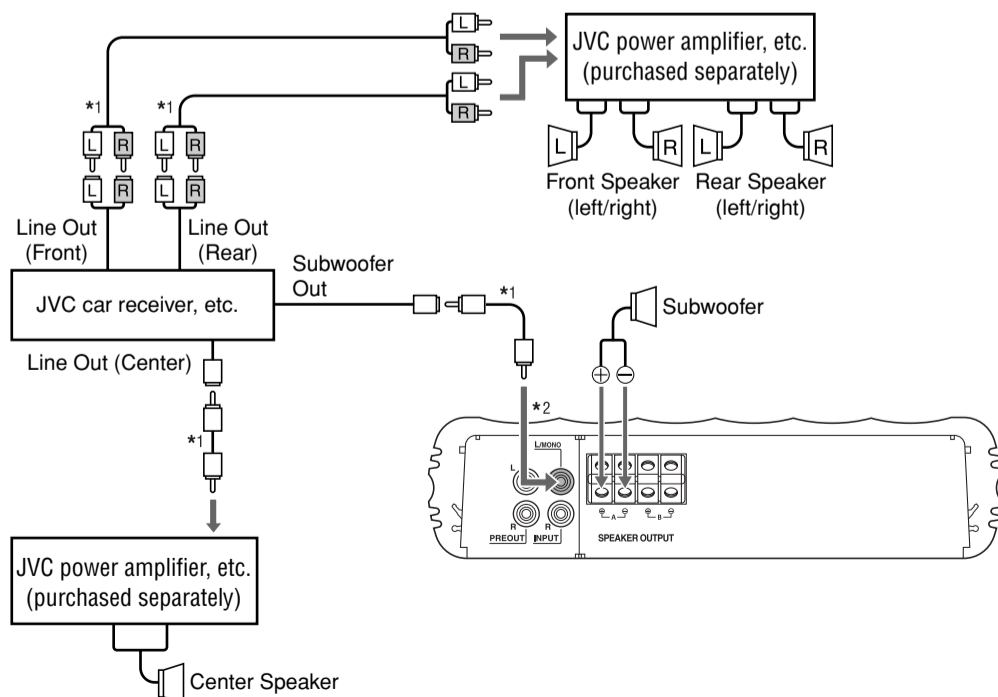
2-subwoofer system (2 amplifiers)



Note

Incoming signals are emitted through the PRE OUT jacks.

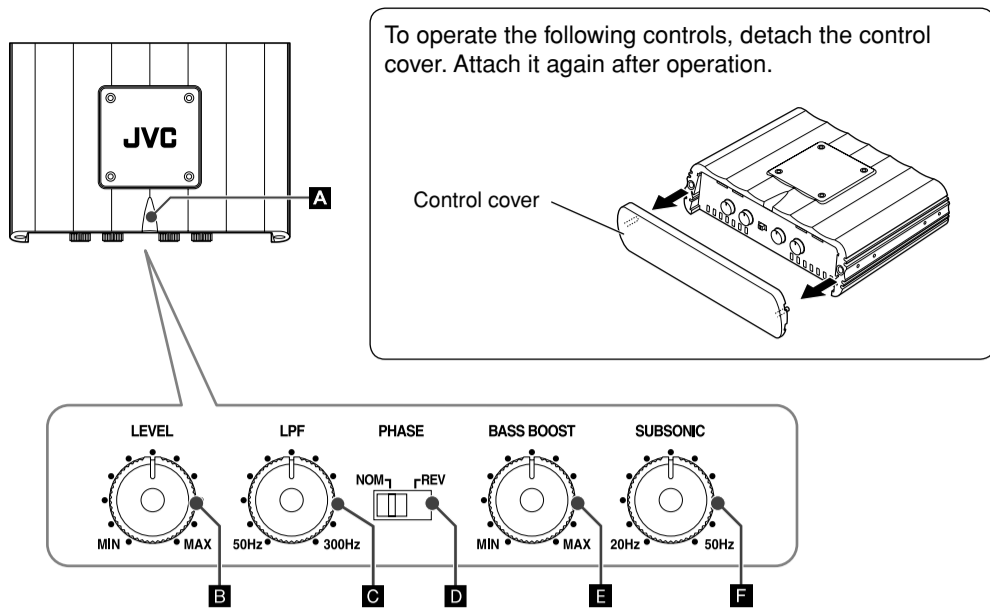
5-speaker system plus subwoofer—5.1-channel (3 amplifiers)



*1 RCA pin cords (not included with this unit)

*2 Be sure to connect the line output from the receiver to the left (L/MONO) jack on this unit.

CONTROLS



A Status lamp

The lamp normally lights in blue while the unit is turned on.

- When the lamp does not light
- When the lamp lights in red
- When the lamp lights in violet frequently
- It indicates there may be a problem. See "TROUBLESHOOTING" on the right column.

B Input LEVEL controller

The input level can be adjusted with this control when this unit is connected to other source equipment. Adjust the level while listening to the sound. This control is preset to MIN when the unit is shipped.

C LPF (Low-Pass Filter) controller

Adjust the cutoff frequency (the Low-Pass Filter transmits frequencies lower than the cutoff frequency) within the range of 50 Hz to 300 Hz. Adjust the level while listening to the sound. This control is preset to 50 Hz when the unit is shipped.

D PHASE switch

Select either normal (NOM) or reverse (REV), whichever reproduces a better sound. This switch is preset to NOM when the unit is shipped.

E BASS BOOST controller

Turning this boosts the 45 Hz frequency within the range of 0 dB to +18 dB. Adjust the level while listening to the sound. This control is preset to MIN when the unit is shipped.

F SUBSONIC filter controller

Adjust the cutoff frequency (the subsonic filter rejects frequencies lower than the cutoff frequency) within the range of 20 Hz to 50 Hz. This control is preset to 20 Hz when the unit is shipped.

Connecting the wired remote control unit—RM-RK130 (purchased separately)

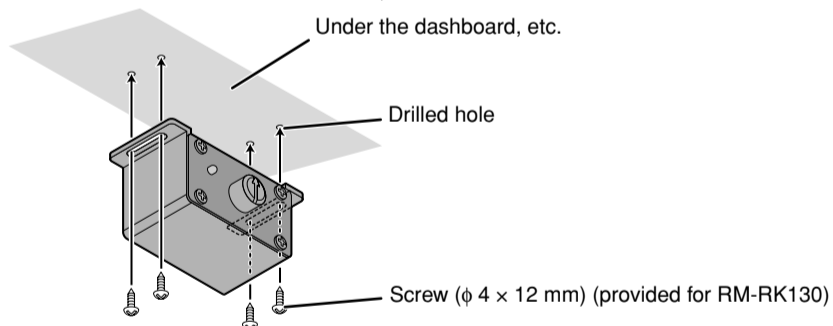
Using JVC's wired remote control unit: RM-RK130, you can adjust the bass boost from your seat without having to adjust the BASS BOOST controller on the amplifier (see "CONTROLS" above).

Note

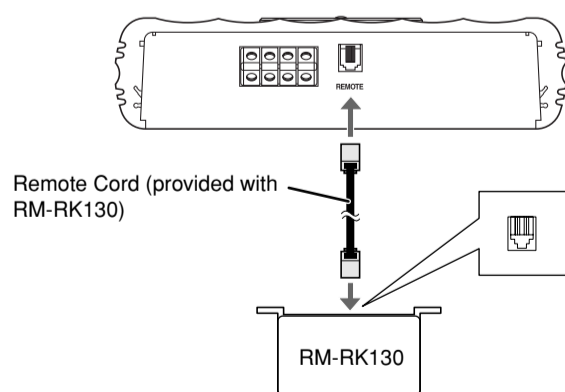
Set the BASS BOOST controller on the amplifier to MIN when you use RM-RK130.

Installation

- 1 Mount RM-RK130 on a firm surface, such as under the dashboard.

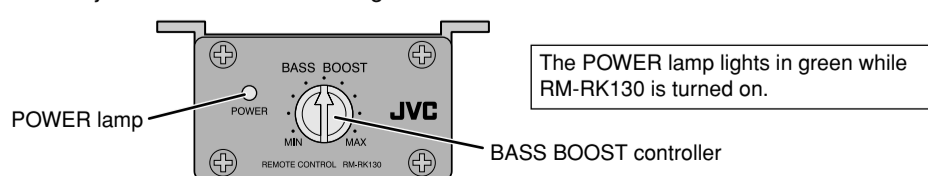


- 2 Connect RM-RK130 to the REMOTE terminal on the amplifier with the Remote Cord provided with RM-RK130.



Using the controller

The BASS BOOST controller boosts the 45 Hz frequency within the range of 0 dB to 18 dB. Adjust the level while listening to the sound.



TROUBLESHOOTING

For more details, consult your "JVC IN-CAR ENTERTAINMENT" car audio dealer.

The Status lamp does not light.

- Change the fuses if the current one is blown.
- Confirm the connections for the power supply (see "POWER SUPPLY" on page 1).
- Connect the ground lead securely to a metal part of the car.
- Turn on the equipment connected to this unit.
- Use a relay if your system employs so many amplifiers.
- Confirm the battery voltage (11 V to 16 V).

The Status lamp lights in red and/or the unit heats up abnormally.

- Use speakers of a suitable impedance.
- Correct the speaker wirings if they are short-circuited.
- Leave the unit turned off for a while to cool it down.

The Status lamp lights in violet frequently. (Clipping*)

- Lower the input level with the Input LEVEL controller until the lamp lights in violet a few times.
- * It means that the amplifier circuits are overloaded and the sound may distort due to too much input from the car receiver.

No sound is heard.

- Confirm the connections for the power supply (see "POWER SUPPLY" on page 1).
- Connect the RCA pin cords to the INPUT jacks.
- Confirm the speaker wirings (See "SPEAKER CONNECTIONS" on page 2).

Alternator noise is heard.

- Keep the leads of the POWER terminals away from the RCA pin cords.
- Keep the RCA pin cords away from other electrical cables in the car.
- Connect the ground lead securely to a metal part of the car.
- Make sure the negative speaker leads do not touch the car chassis.
- Replace the plugs or use plugs with load resistors.
- Connect a bypass capacitor across the accessory switches (horn, fan, etc.).

Noise is made when you connect the unit to an AM (MW/LW) tuner.

- Move all the leads of this unit away from the antenna (aerial) lead.

SPECIFICATIONS

Maximum Power Output	800 W
RMS Power Output	700 W RMS x 1 channel at 4 Ω and $\leq 1\%$ THD + N 700 W RMS x 1 channel at 2 Ω and $\leq 1\%$ THD + N
Load Impedance	4 Ω (2 Ω to 8 Ω allowance)
Frequency Response	20 Hz to 300 Hz* (+0, -3 dB) * Subsonic filter cuts off extremely low frequency signals. (The cutoff frequency is adjustable within the range of 20 Hz to 50 Hz.)
Input Sensitivity/Impedance	2 V / 44 k Ω (0.3 V to 6 V, variable)
Distortion	Less than 0.04% (at 100 Hz)
Signal-to-Noise Ratio	80 dBA (reference: 1 W into 4 Ω)
Power Requirement	DC 14.4 V (11 V to 16 V allowance)
Grounding system	Negative ground
Dimensions (WxHxD)	250 mm x 62 mm x 182 mm
Mass (approx.)	2.7 kg
Accessories	Screw ($\phi 4 \times 20$ mm) x 4 Hex Screw (M4 x 10 mm) x 8 Hex wrench 4 mm x 1 3 mm x 1 Spacer x 4 Bracket L x 4 I x 4

Design and specifications are subject to change without notice.

Information for Users on Disposal of Old Equipment



This symbol indicates that the product with this symbol should not be disposed of as general household waste at its end-of-life. If you wish to dispose of this product, please do so in accordance with applicable national legislation or other rules in your country and municipality. By disposing of this product correctly, you will help to conserve natural resources and will help prevent potential negative effects on the environment and human health.

This symbol is only valid in the European Union.

Dear Customer,

This apparatus is in conformance with the valid European directives and standards regarding electromagnetic compatibility and electrical safety.

European representative of Victor Company of Japan, Limited is:

JVC Technology Centre Europe GmbH

Company name changed in:

JVC Technical Services Europe GmbH

Postfach 10 05 52

61145 Friedberg

Germany

Free Manuals Download Website

<http://myh66.com>

<http://usermanuals.us>

<http://www.somanuals.com>

<http://www.4manuals.cc>

<http://www.manual-lib.com>

<http://www.404manual.com>

<http://www.luxmanual.com>

<http://aubethermostatmanual.com>

Golf course search by state

<http://golfingnear.com>

Email search by domain

<http://emailbydomain.com>

Auto manuals search

<http://auto.somanuals.com>

TV manuals search

<http://tv.somanuals.com>