



# JVC

ENGLISH  
DEUTSCH  
FRANÇAIS  
NEDERLANDS  
CASTELLANO  
ITALIANO



## WALL MOUNTING UNITS

## INSTRUCTIONS

EINHEIT ZUR WANDMONTAGE  
DISPOSITIF D'INSTALLATION MURALE  
WANDMONTAGE-EENHEID  
UNIDAD PARA MONTAJE MURAL  
UNITÀ DI MONTAGGIO A PARETE

BEDIENUNGSANLEITUNG  
MANUEL D'INSTRUCTIONS  
GEBRUIKSAANWIJZING  
MANUAL DE INSTRUCCIONES  
ISTRUZIONI

Thank you for purchasing this Wall Mounting Unit.

We recommend that you read this manual thoroughly before use in order to familiarize yourself with this unit.

Please store this manual in a safe place after reading it.

Mounting a plasma display television requires specific technical knowledge. Do not attempt to mount the unit by yourself.

Please be aware that screw holes and anchor bolts will remain in the wall surface if the Wall Mounting Unit is removed after having been mounted to the wall.

Long-term use of the plasma display may result in discoloration of the wall surface due to heat/air emitted by the display.

### **For Assembly By Authorized Service Personnel Only**

Consult authorized service personnel for the installation of this unit. Installation instructions must be followed precisely in order to prevent accidents. We are selling this product with the understanding that it will be assembled and installed by properly trained and qualified service personnel.

**We are not liable for any damage caused by faulty assembly, faulty wall mounting, insecure wall mounting, misuse, alterations, or natural disasters.**

### **Danger**




Incomplete or inadequate mounting of this unit to the wall may cause it to fall down, resulting in potentially fatal accidents.

Please consult authorized service personnel for the installation of this unit.

# Safety Precautions


## Explanation of symbols

The following section describes the symbols used in this manual. Read this section prior to using the product for correct usage. The following items contain information for your safety. Follow these precautions precisely. Warning and Caution are defined as follows:


 <b>Danger</b>	Improper handling in disregard of these notices may result in danger of death or bodily harm.
 <b>Warning</b>	Improper handling in disregard of these notices may result in bodily injury and even death.
 <b>Caution</b>	Mishandling of the unit in disregard of these notices may result in bodily injury or damage to the unit.

## Examples:



The  indicates caution (including warning or danger).



The  indicates a prohibition, with the specific action indicated either in the circle itself (the symbol at left means "Do Not Disassemble"), or in the accompanying text.






## Assembly and Mounting Warnings

### **Danger**

- Consult authorized service personnel for the installation and attachment of this unit to the wall. Improper assembly or installation may cause the unit to fall when it is mounted, which may result in fatal accidents. To prevent this happening, check the strength of the materials in the mounting surface, and have at least two persons carry out the installation in a suitable location. Check the material strength again after mounting as well.

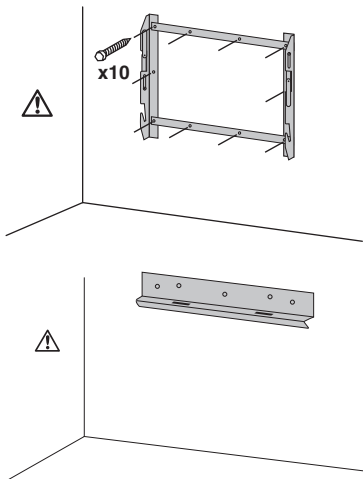


### **Warning**

- Using display monitors other than those authorized by JVC with the unit may result in damage or bodily injury due to the display monitor and stand toppling over. 
- Assemble all bolts, nuts and screws securely. Failure to do so may result in display monitor and wall mounting falling down, potentially causing damage or bodily injury. 
- Avoid placing heavy objects on the power cord, as damage to the power cord may result, causing fire or electric shock. 
- This unit does not come with anchor bolts for securing it to walls, etc. Be sure you have materials on hand as appropriate for the mounting location. 
- This task must be performed by at least two persons when attaching the Plasma display to the wall mounting unit. 

# Mounting the Wall Unit

## Warning



■ **The Wall Mounting Unit should be mounted to a wall that can adequately hold the total weight of the plasma display and the Wall Mounting Unit over a long period of time and which can adequately withstand earthquakes, conceivable vibrations, and other external forces.**

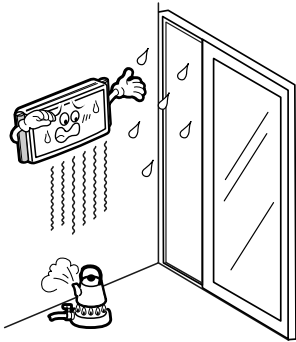
Improper installation may cause the plasma display to fall down, resulting in physical injury.

● **Mounting On Wooden Walls**

The weight of the unit should be borne by the wall posts or studs, and these should be reinforced if insufficiently strong. Do not install the Wall Mounting Unit on walls made of plasterboard or thin plywood. Use the commercially sold screws best suited for the wall structure and material.

● **Mounting On Concrete Walls**

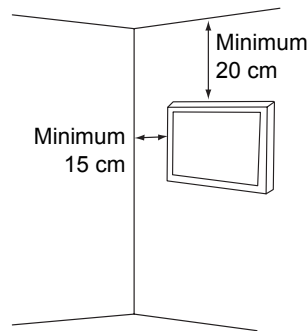
Use commercially sold wall anchors capable of supporting the weight of the plasma display.



■ **Do not install the Wall Mounting Unit in a location which is hot or humid or which may become wet, as the presence of excessive moisture may lead to fire or electric shock.**

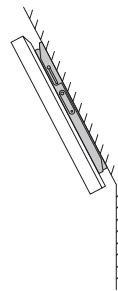
■ **Do not install the Wall Mounting Unit near the blower or air inlet of an air conditioner.**

■ **Do not install the unit in a location with a large amount of dust, soot, or cigarette smoke, as this may lead to fire.**



■ **Do not block the ventilation holes, and be sure to leave sufficient space around the unit for ventilation.**

Inadequate ventilation may cause the unit interior to overheat, leading to fire.



■ **Do not install the Wall Mounting Unit on a non-vertical wall.**

The unit interior may overheat, resulting in fire, or the unit may fall down, causing physical injury.

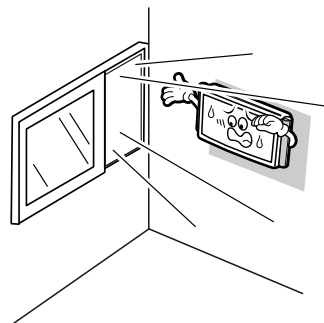


■ **Do not install the Wall Mounting Unit in a location subject to frequent vibration, impact or other external forces.**

The unit may fall down or be damaged, causing physical injury.

■ **Do not install the unit in a location where people may hang on it or lean against it.**

Doing so may cause the unit to fall down or be damaged, resulting in injury.



■ **Do not install the unit in a location exposed to direct sunlight or strong light, as viewing the plasma display in an overly bright environment can be tiring for the eyes.**



 **Caution**

- Consult authorized service personnel for electrical work. Using power cords damaged during installation (i.e., exposed or severed wiring) may result in fire or electric shock.
- Conduct the work with adequate working space. Damage or bodily injury may result from working under unsuitable conditions.
- Avoid mounting this unit in areas where there is electrical wiring or water pipes, as fire or electric shock may result.



## **Instructions for using the Wall mounting unit**

---

In order to secure the Plasma Panel and Wall mounting units correctly, please refer to the attached Location Sheet for instruction.



PD-42D30ES

164mm

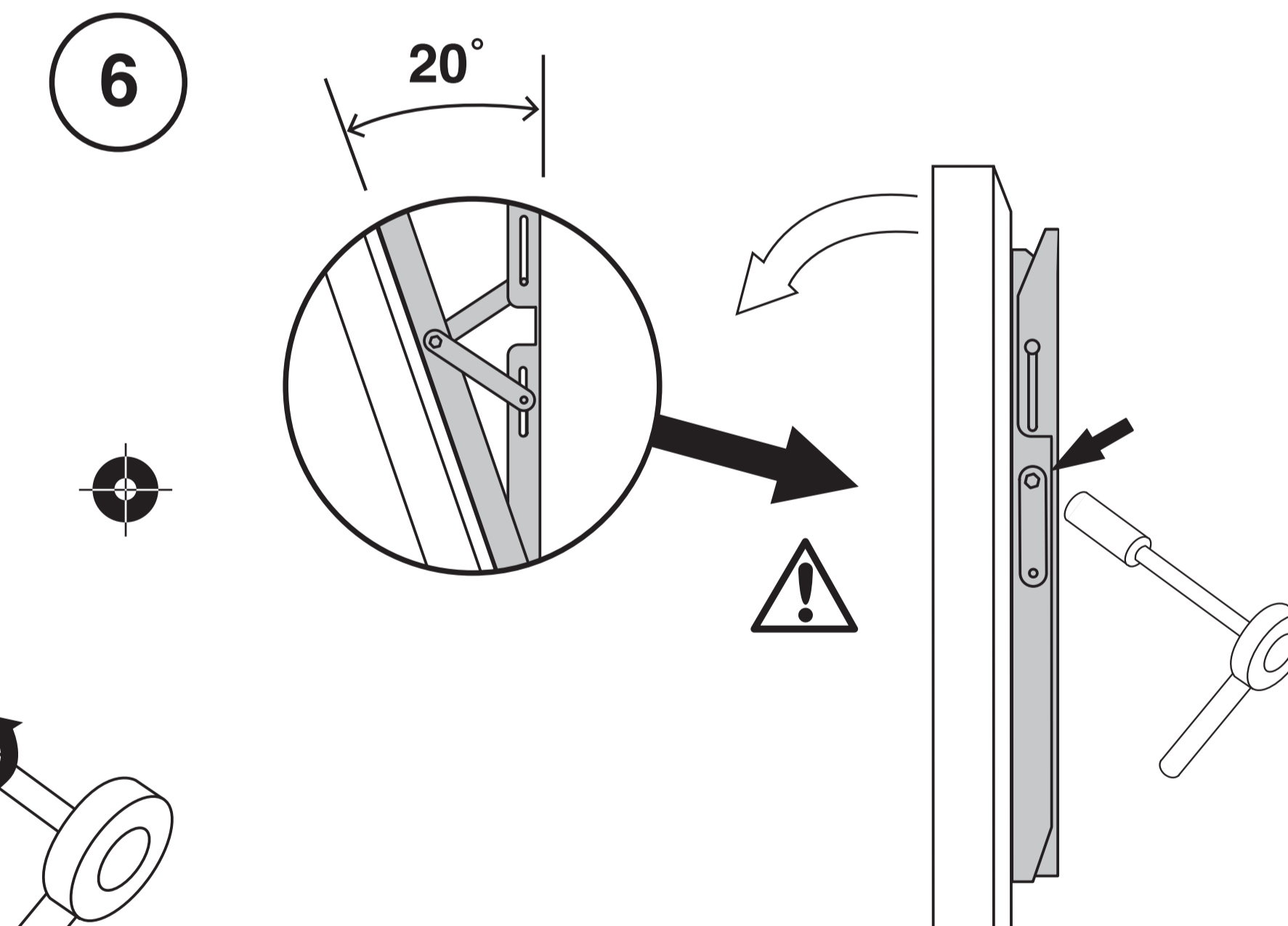
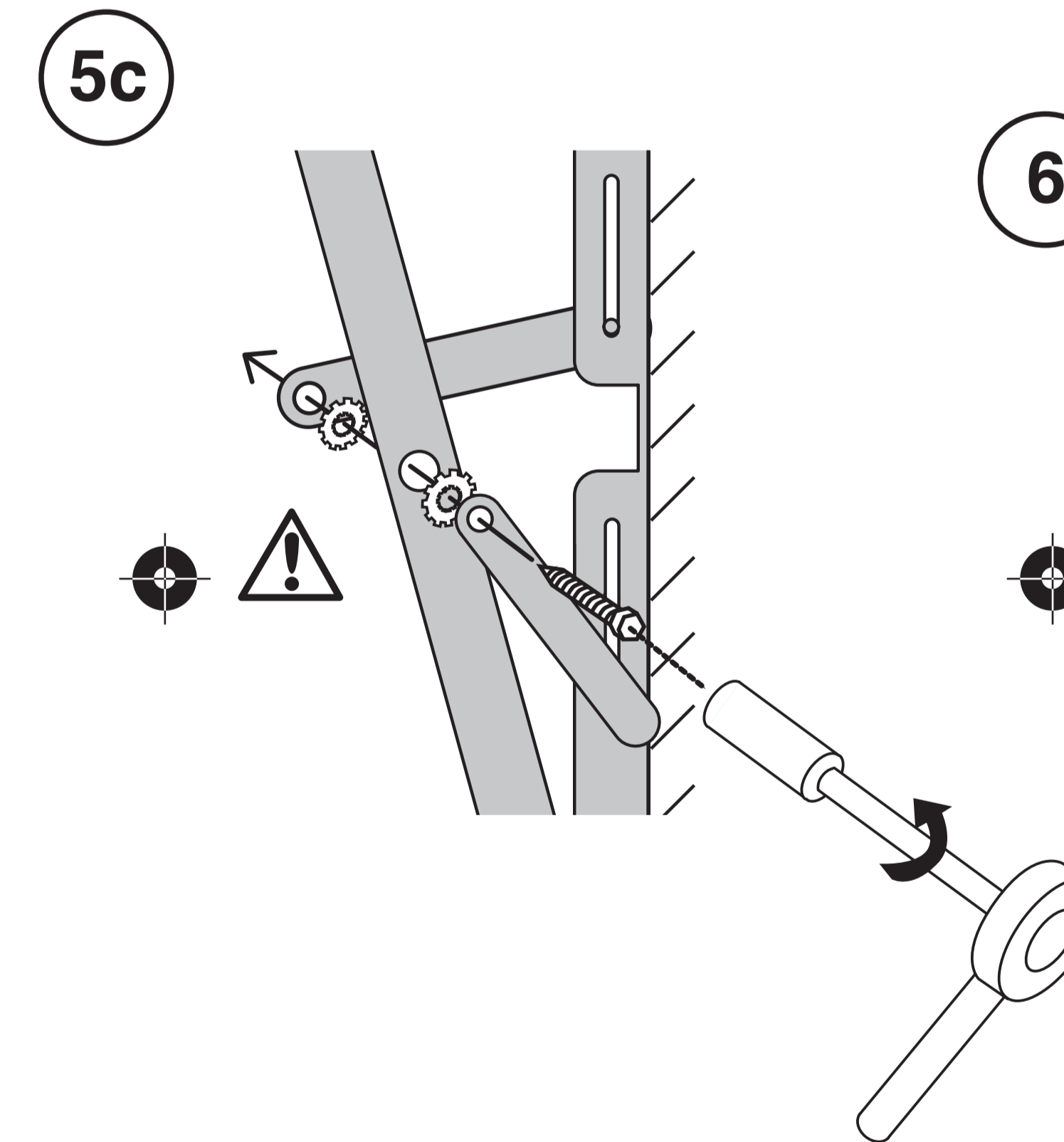
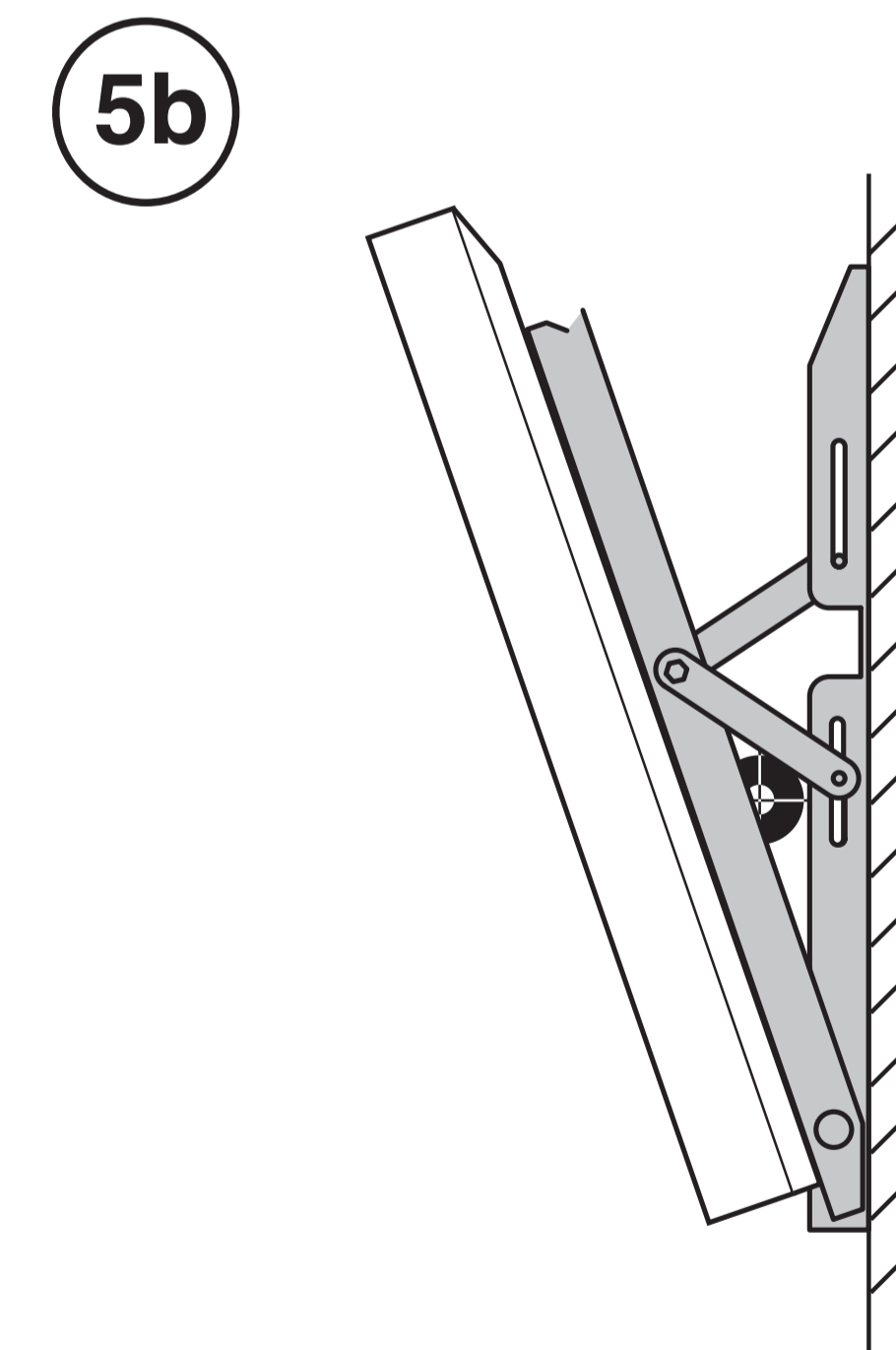
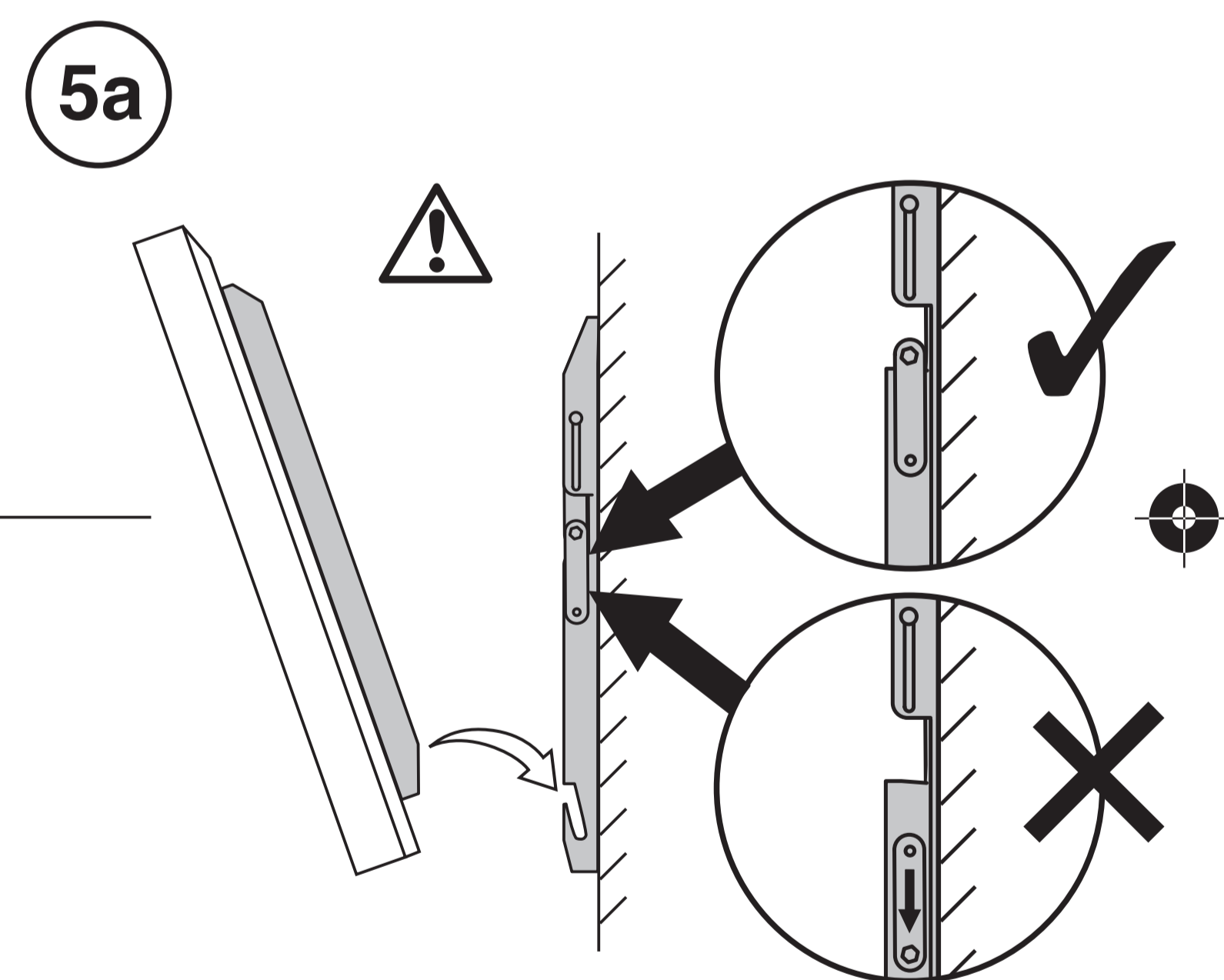
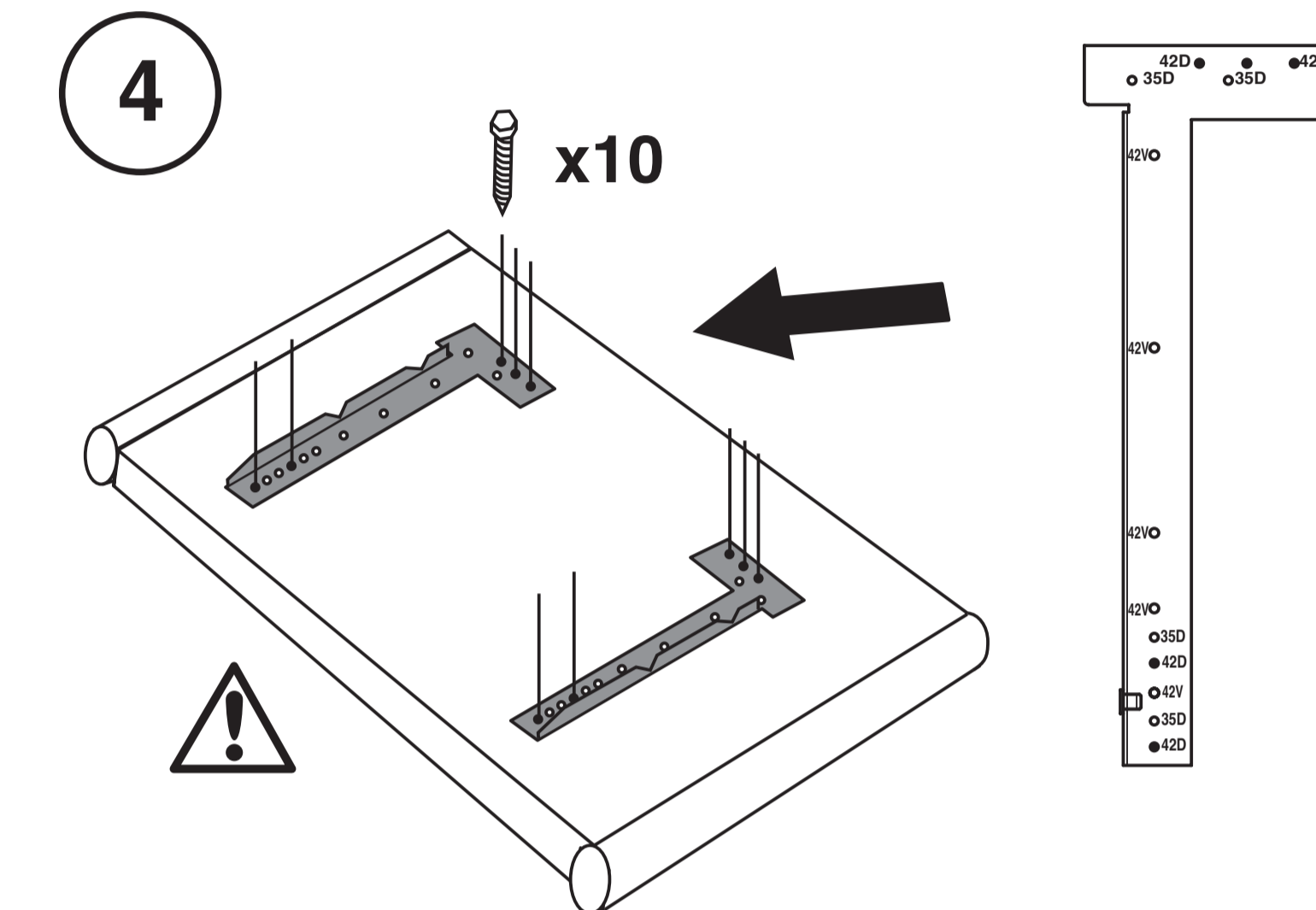
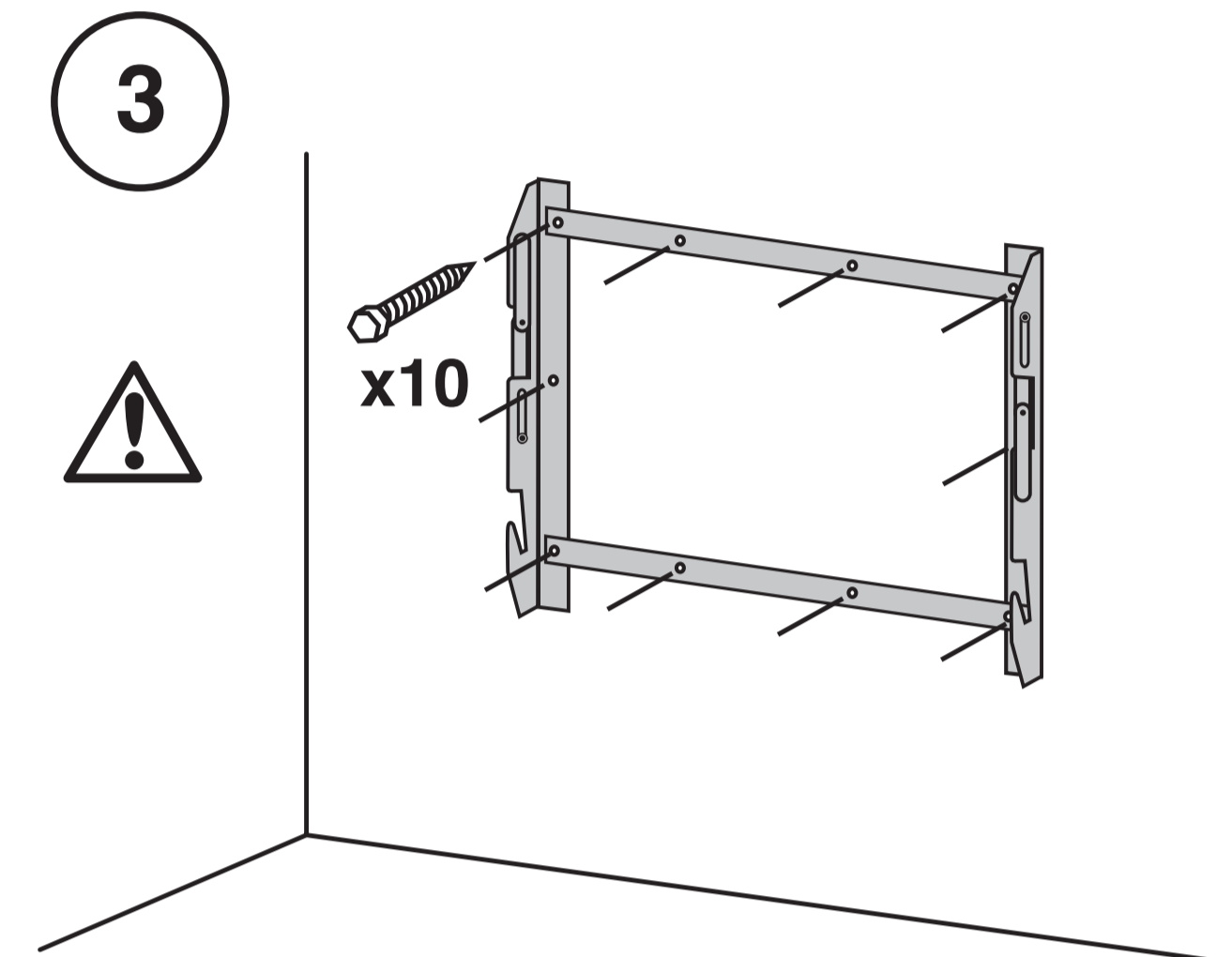
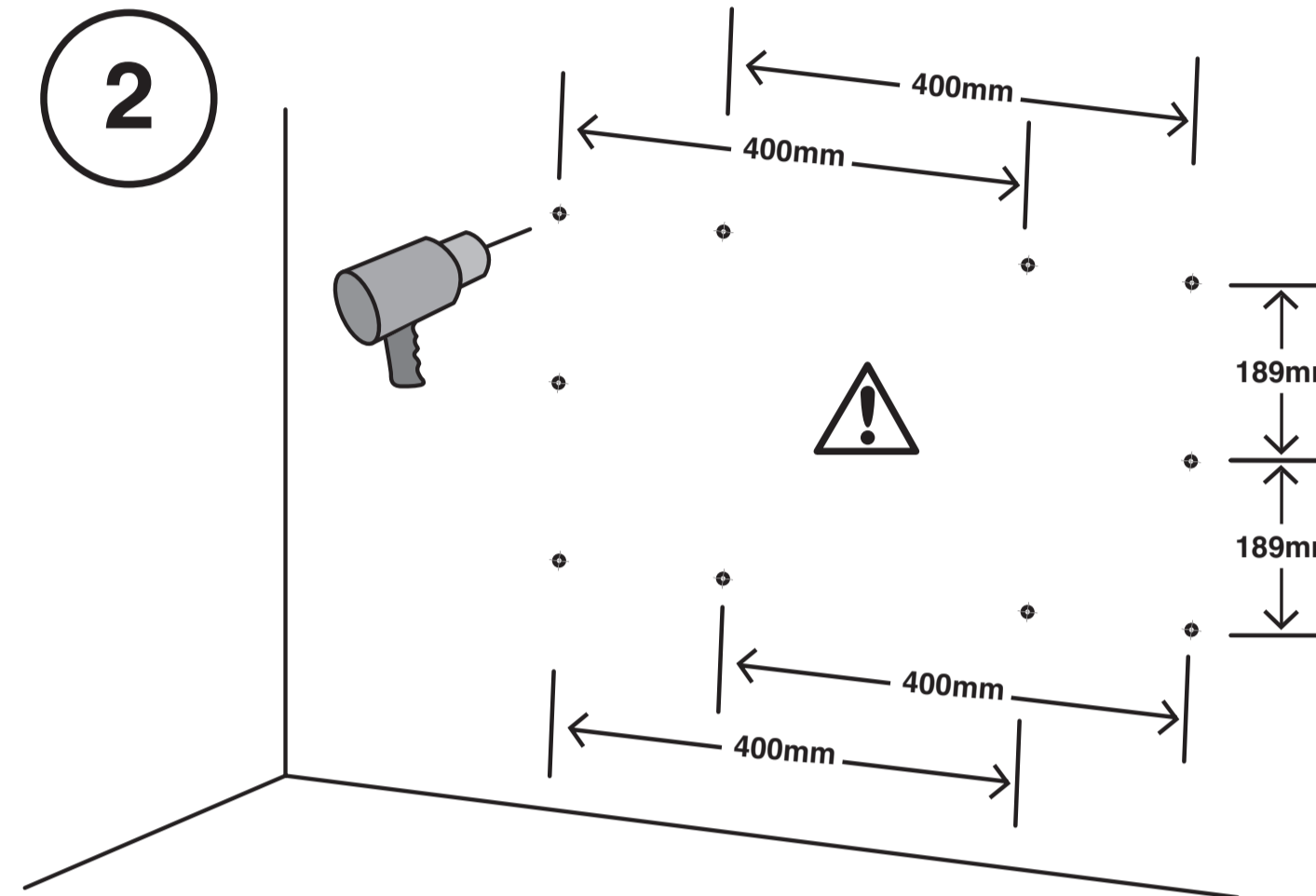
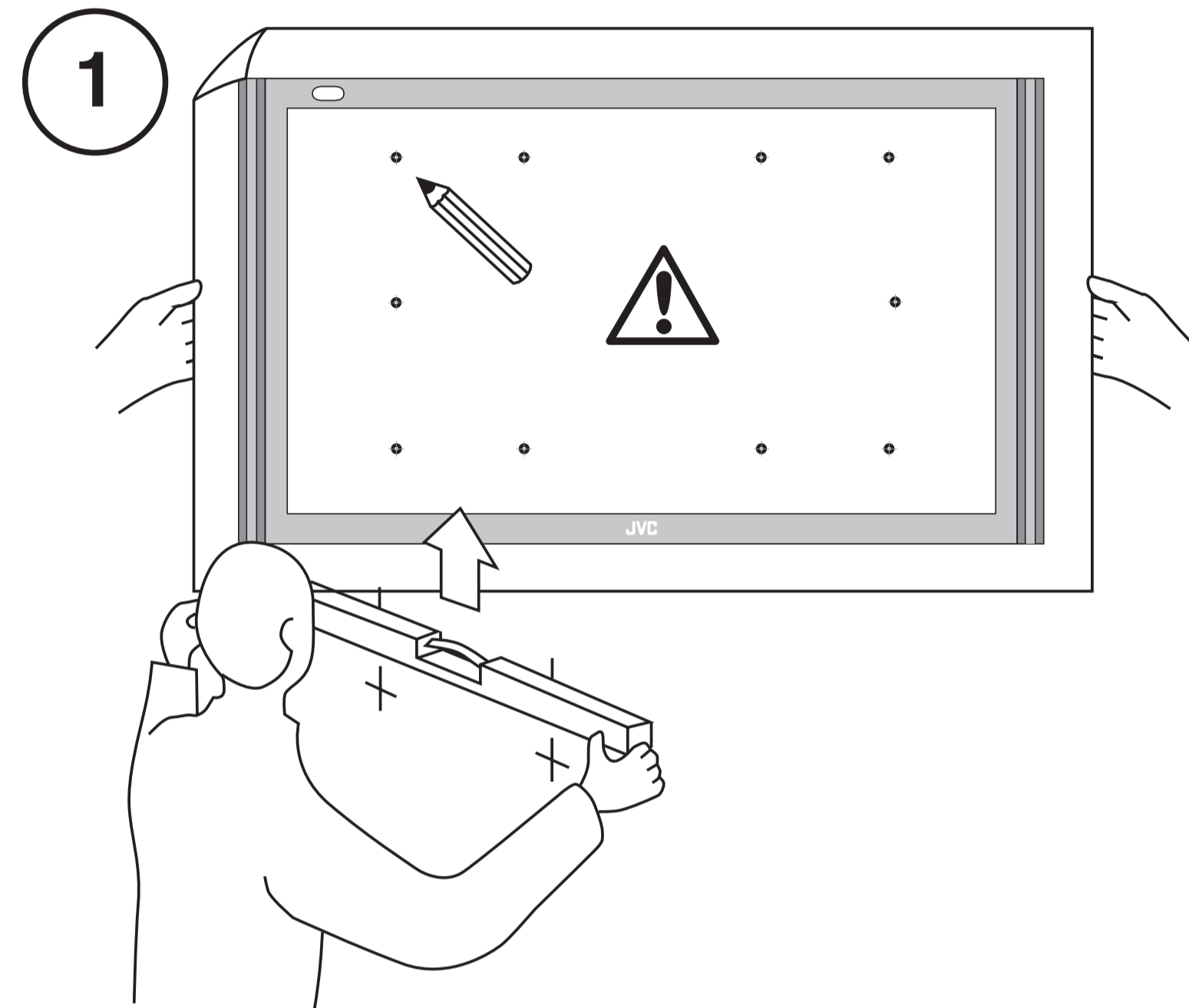
164mm

164mm

90mm

189mm

189mm



JVC

AEM1112-001A-U

## Free Manuals Download Website

<http://myh66.com>

<http://usermanuals.us>

<http://www.somanuals.com>

<http://www.4manuals.cc>

<http://www.manual-lib.com>

<http://www.404manual.com>

<http://www.luxmanual.com>

<http://aubethermostatmanual.com>

Golf course search by state

<http://golfingnear.com>

Email search by domain

<http://emailbydomain.com>

Auto manuals search

<http://auto.somanuals.com>

TV manuals search

<http://tv.somanuals.com>