

# JVC

RK-C28G1S/C28G1SPK  
RK-C32G1S/C32G1SPK  
TV STAND

ASSEMBLY INSTRUCTIONS  
(TO BE RETAINED BY CUSTOMER)

A		x3
B		x16
C		x4

D		x1
E		x1

FIXING KIT - AEM4181-002A-U

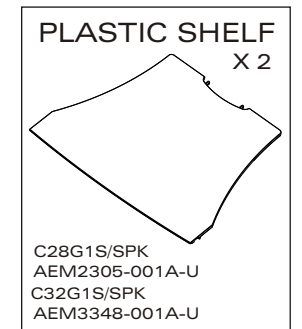
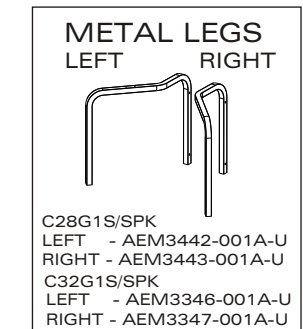
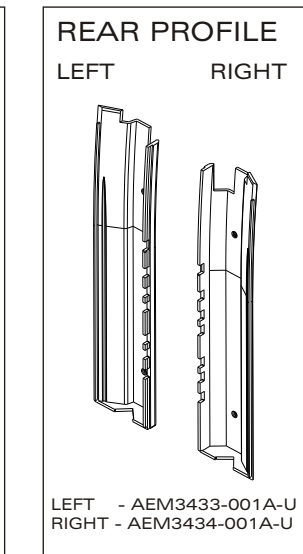
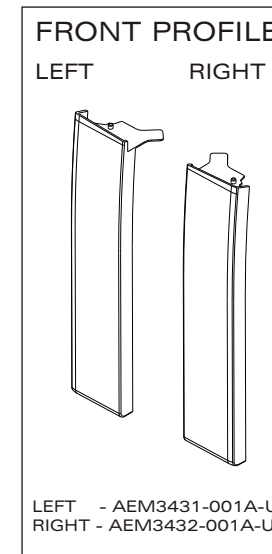
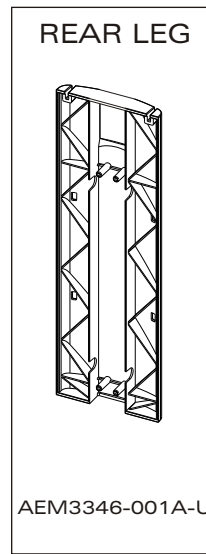
G		x4
---	--	----

AEM4195-001A-U

Also Required	
---------------	--

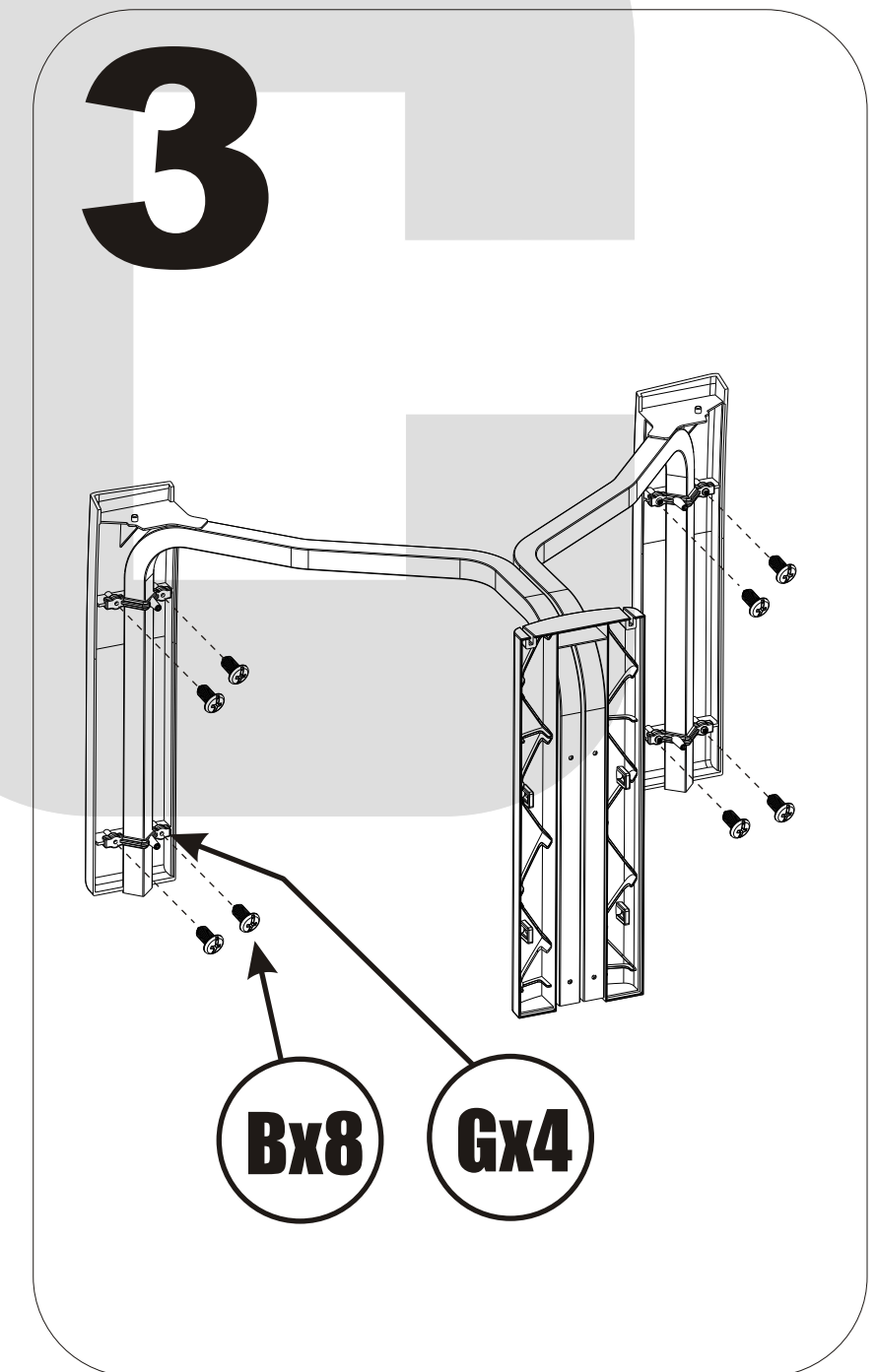
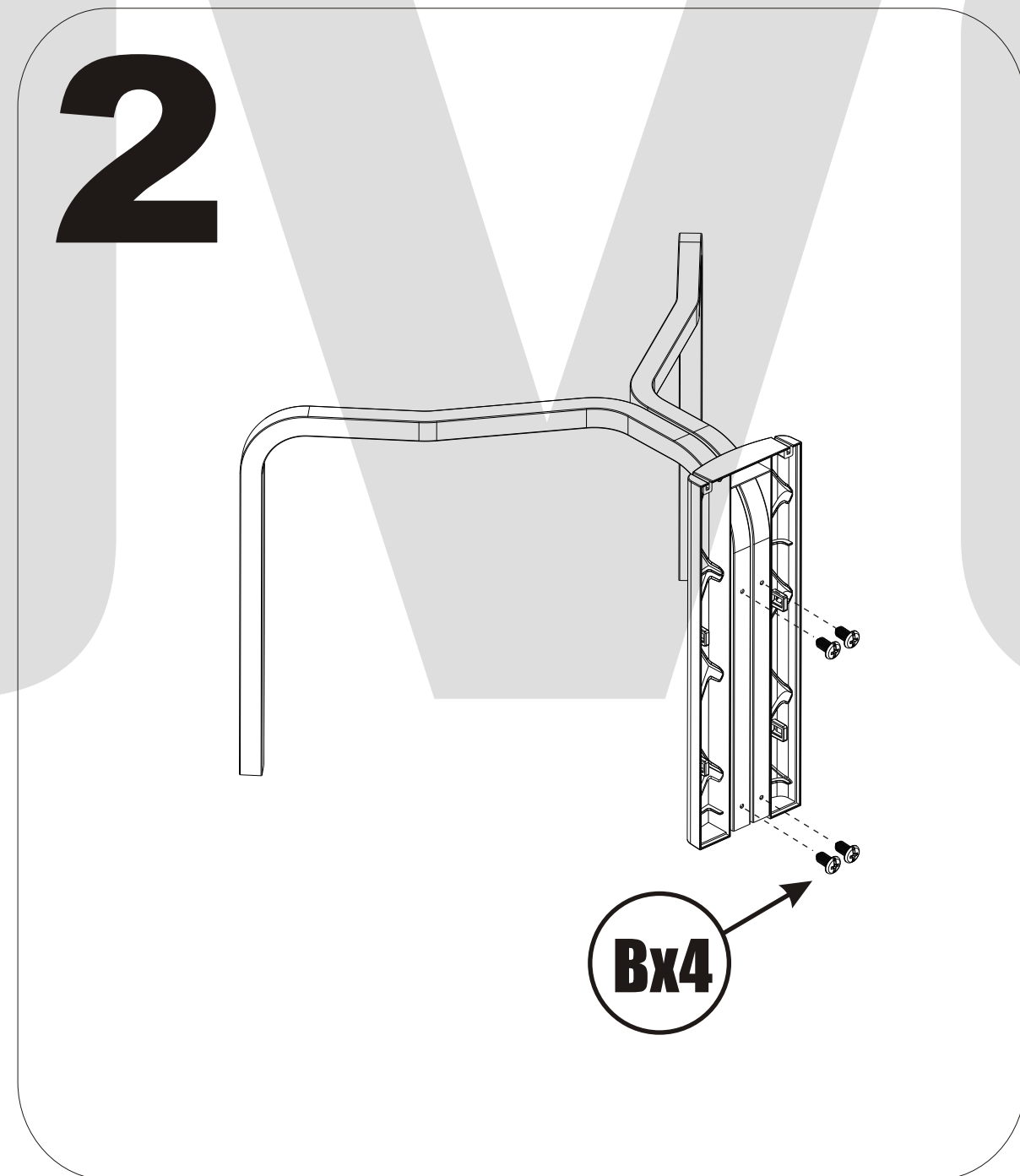
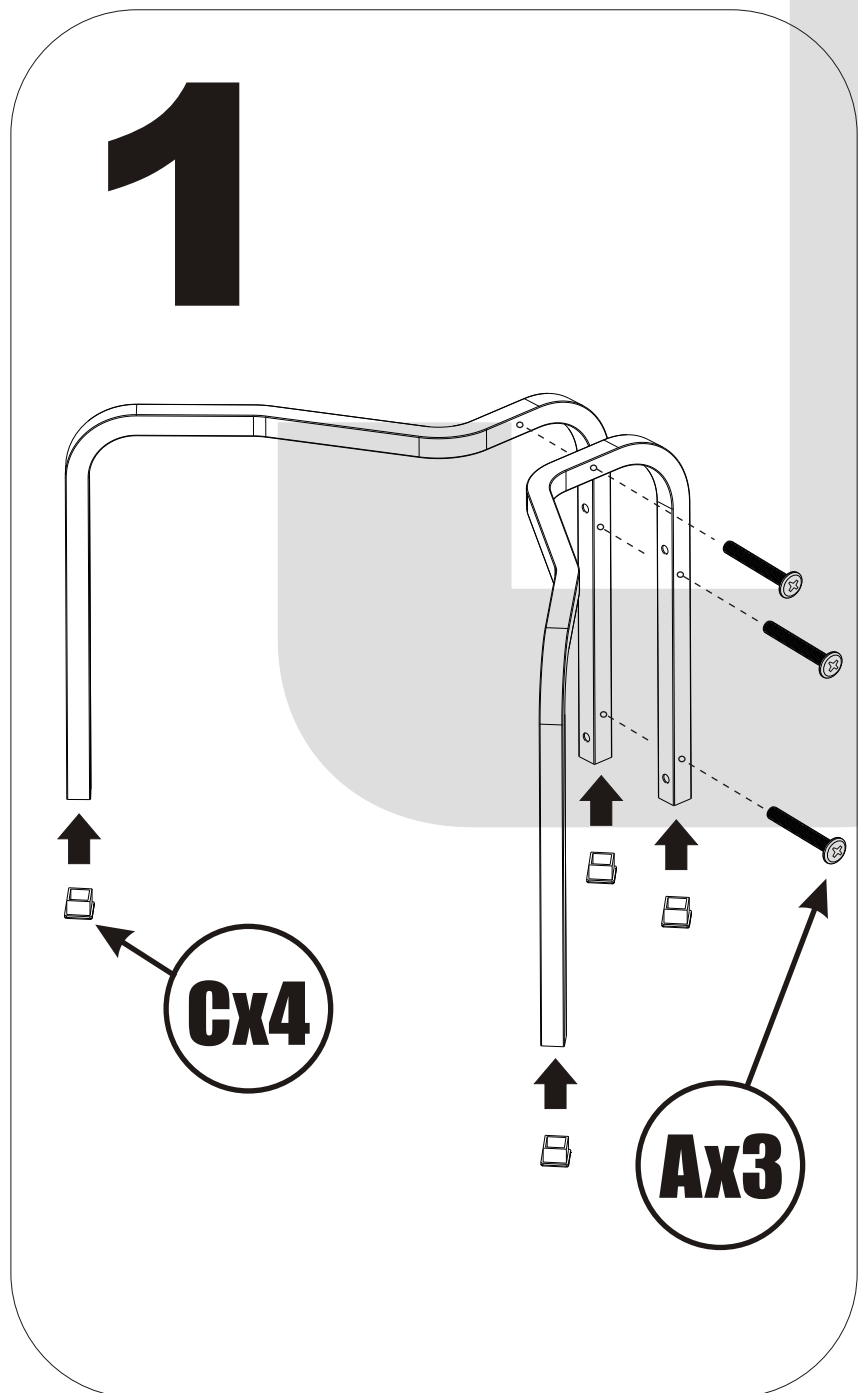
H		x4
---	--	----

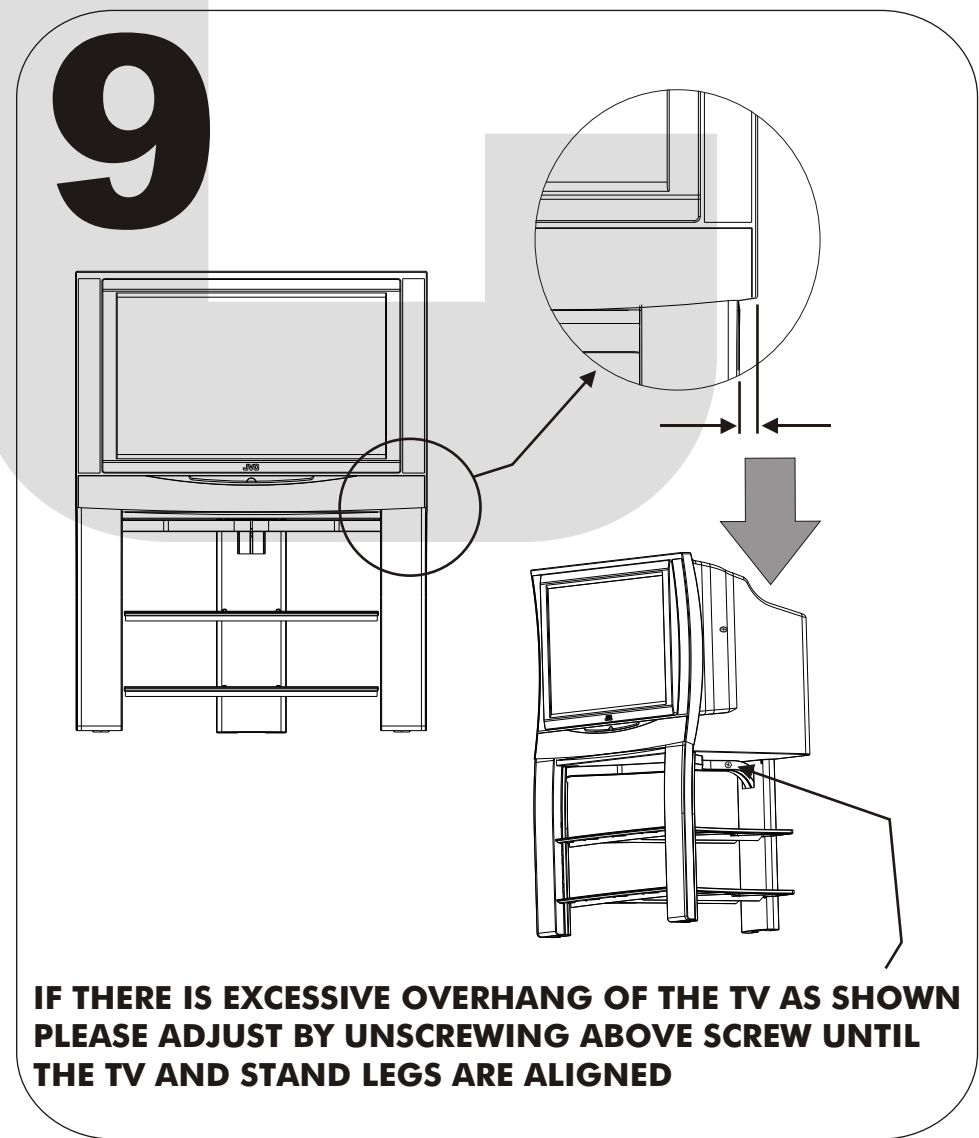
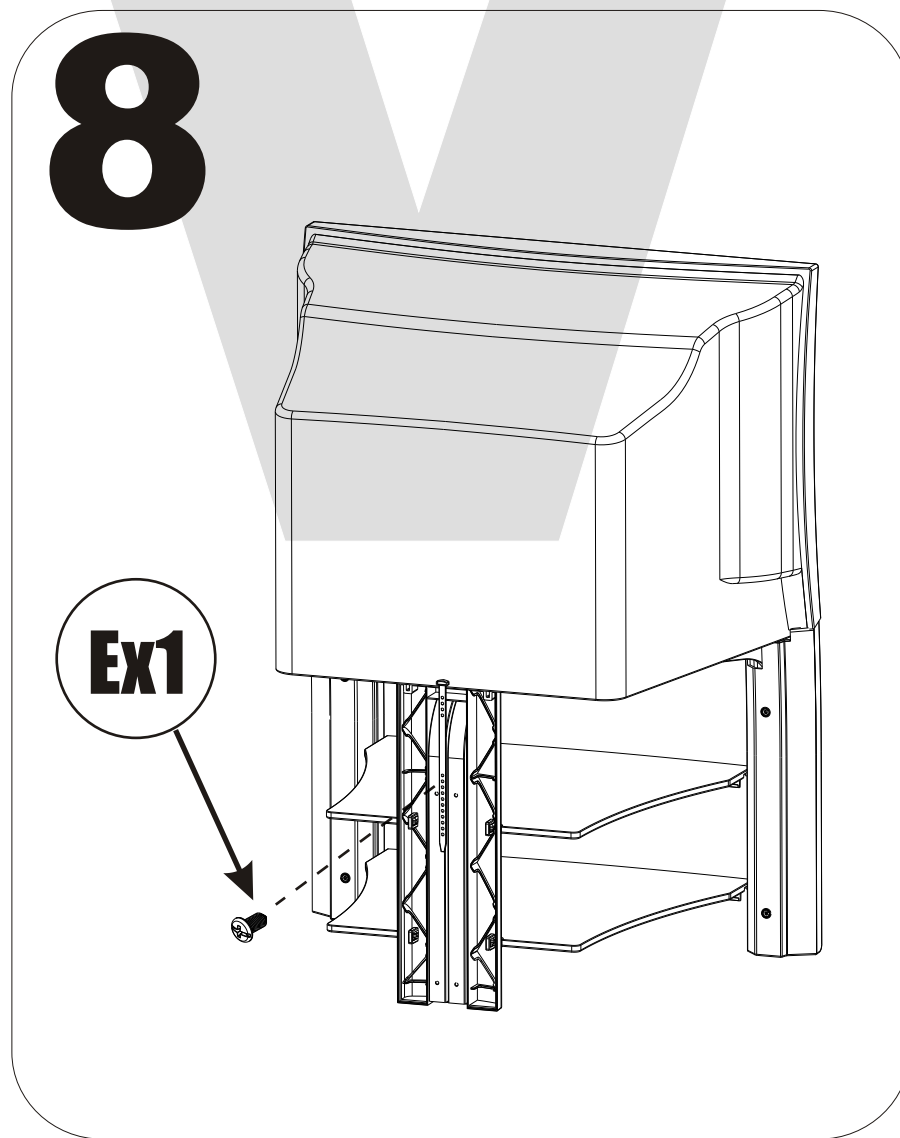
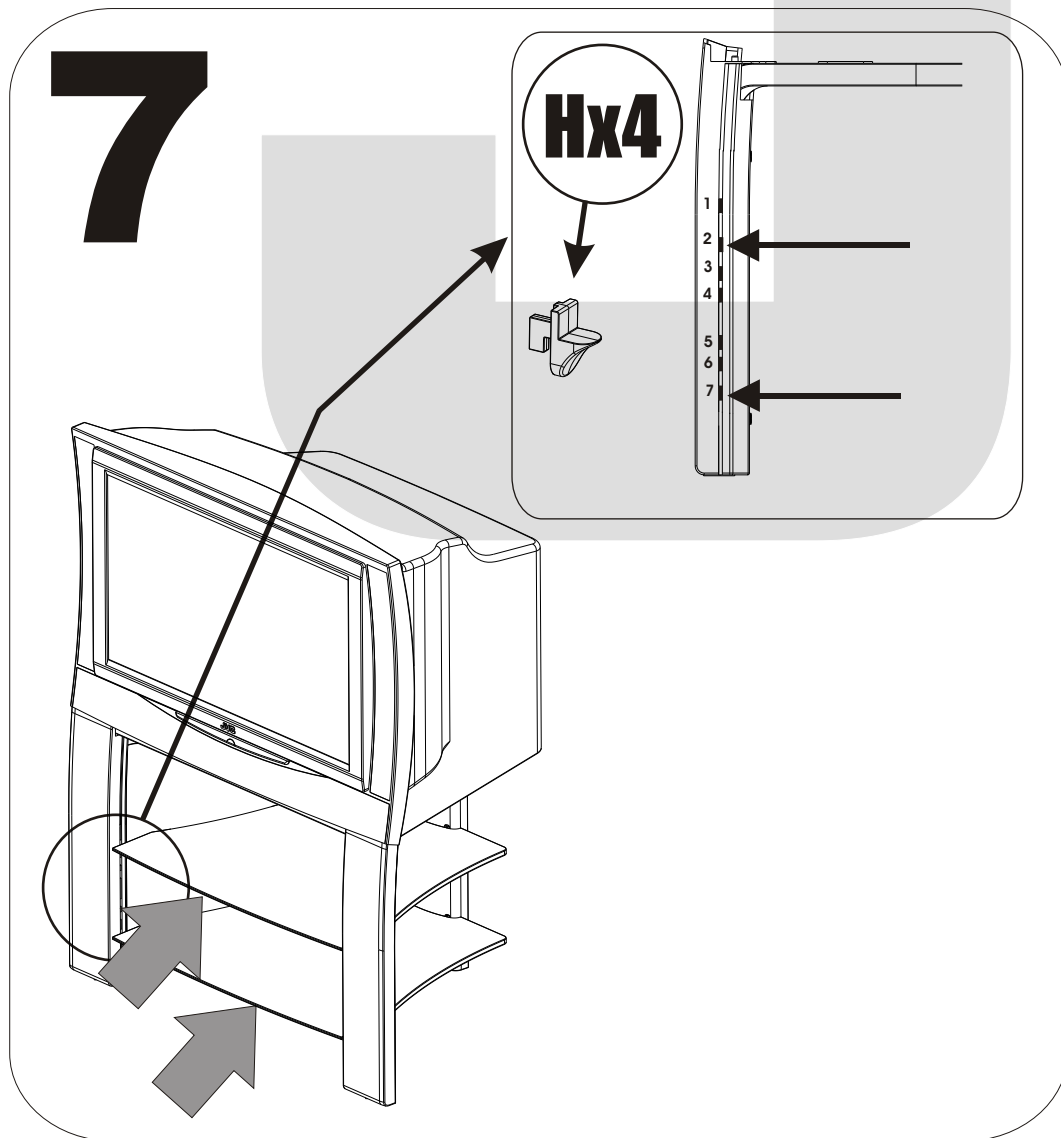
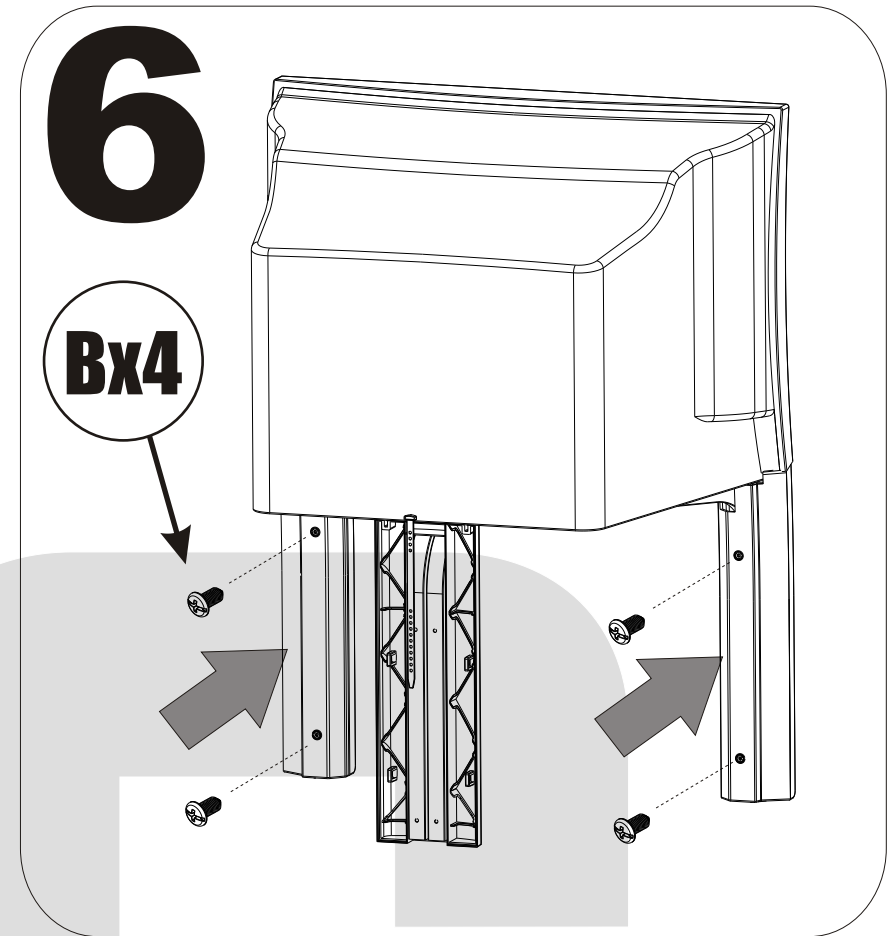
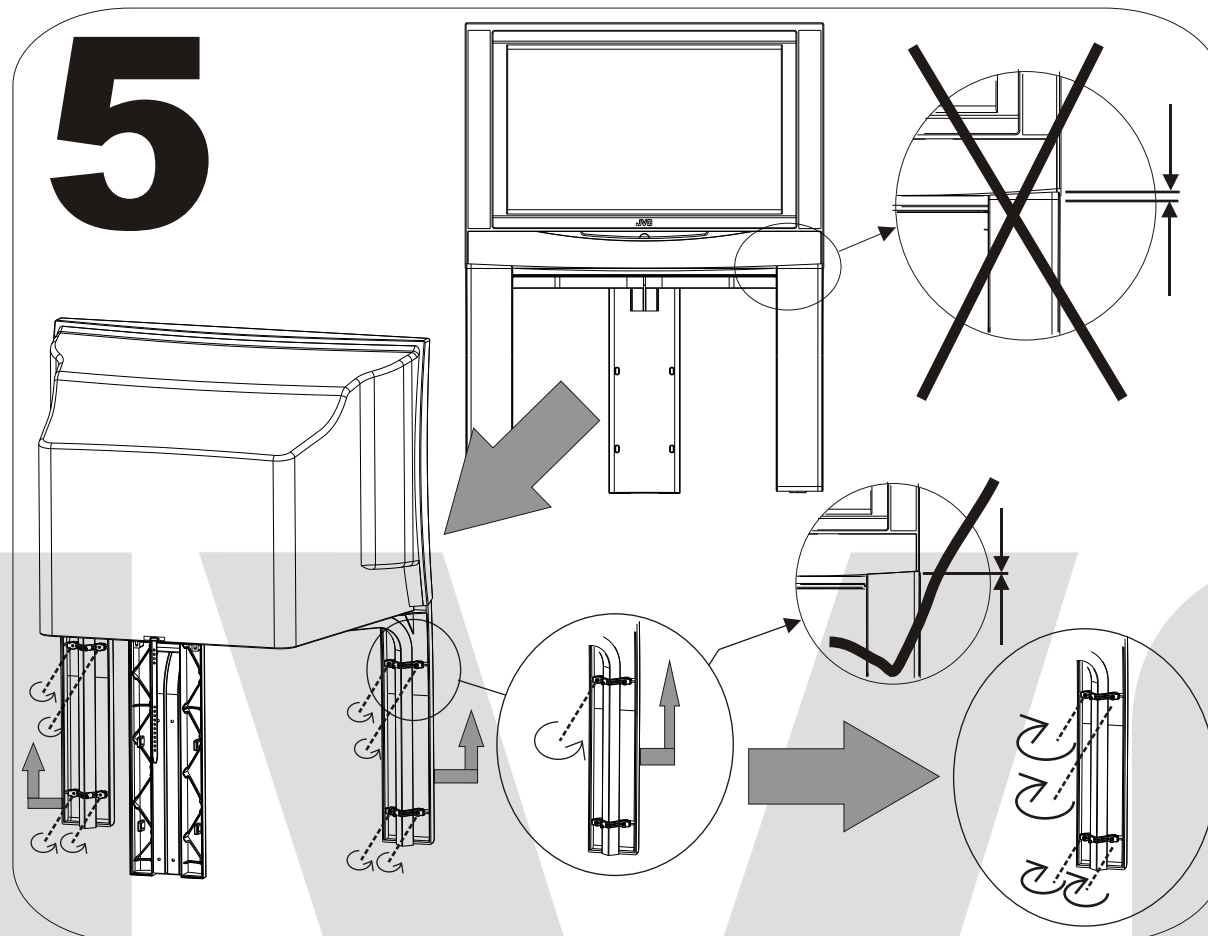
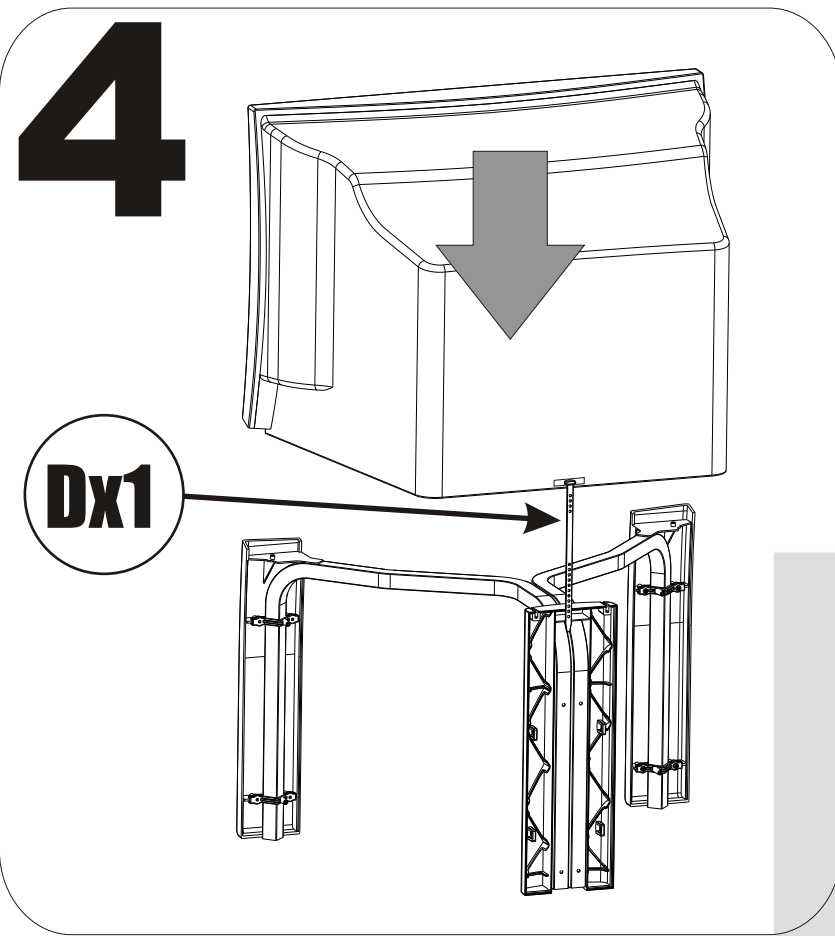
AEM4189-002A-U



**IMPORTANT NOTES**

- THIS STAND MUST BE USED ONLY WITH THE TV WITH WHICH IT IS SUPPLIED
- DO NOT USE ANY SCREWS OTHER THAN THOSE PROVIDED
- DO NOT USE SOLVENTS FOR CLEANING THIS STAND. USE A DAMP CLOTH TO REMOVE ANY HANDLING OR PACKAGING MARKS
- DO NOT ATTEMPT TO MOVE THE ASSEMBLY WITH TV ATTACHED AS THIS MAY RESULT IN PERSONAL INJURY AND OR DAMAGE TO YOUR EQUIPMENT.





## Free Manuals Download Website

<http://myh66.com>

<http://usermanuals.us>

<http://www.somanuals.com>

<http://www.4manuals.cc>

<http://www.manual-lib.com>

<http://www.404manual.com>

<http://www.luxmanual.com>

<http://aubethermostatmanual.com>

Golf course search by state

<http://golfingnear.com>

Email search by domain

<http://emailbydomain.com>

Auto manuals search

<http://auto.somanuals.com>

TV manuals search

<http://tv.somanuals.com>