

jWIN

DIGITAL PHOTO FRAME WITH BUILT-IN MEMORY



Instruction Manual JP-119

Please read this manual carefully before operating and save it
for future reference.

Have a question? Please visit <http://www.jWIN.com>

USER SAFETY GUIDE

Instructions on Environmental Protection

Do not dispose of this product in the usual household garbage at the end of its life cycle; bring it to a collection point for the recycling of electrical and electronic appliances. This symbol on the product means the instructions for use or the packing will inform about the methods for disposal. The materials are recyclable as mentioned in its marking. By recycling, material recycling, or other forms of re-utilization of old appliances, you make an important contribution to protect the environment. Please inquire at your local community administration for the authorized disposal location.



Important Safety Warnings

1. To prevent fire or electric shock, do not expose the unit to rain or moisture.
2. Never attempt to open the cabinet. Always refer servicing to a qualified technician.

FCC regulations state that any change or modification to the equipment, not expressly approved by maker or its authorized parties, could void user's authority to operate this equipment.

USER SAFETY GUIDE

Important Safety Instructions

1. **READ INSTRUCTIONS** - All safety and operating instructions should be read before the appliance is operated.
2. **RETAIN INSTRUCTIONS** - The safety and operating instructions should be retained in a secure place for future reference.
3. **HEED WARNINGS** - All warnings on the appliance and in the operating instructions should be observed.
4. **FOLLOW INSTRUCTIONS** - All operating and use instructions should be followed.
5. **WATER AND MOISTURE** - The appliance should not be used near water. For example: near a bathtub, kitchen sink, laundry tub, and/or swimming pool.
6. **HEAT** - The appliance should be situated away from heat sources such as radiators, heat registers, stoves, or other appliances (including amplifiers) that produce heat.
7. **POWER SOURCES** - The appliance should be connected to a power supply only of the type described in the operating instructions or as marked on the appliance.
8. **CLEANING** - The appliance should only be cleaned with a dry cloth.
9. **OBJECT AND LIQUID ENTRY** - Care should be taken so that objects do not fall and liquids are not spilled into the device's openings.
10. **CARTS AND STANDS** - The appliance should be used only with a cart or stand that is recommended by the manufacturer. An appliance and cart combination should be moved with care. Quick stops, excessive force, and uneven surfaces may cause the appliance and cart combination to overturn causing possible injury to the user and/or damage to the unit.



USER SAFETY GUIDE

Important Safety Instructions – Continued

11. **DAMAGE REQUIRING SERVICE** - The appliance should be serviced by qualified service professional when:
 - a. Objects have fallen into, or liquid has been spilled into the appliance's apertures.
 - b. The appliance has been exposed to rain.
 - c. The appliance has been dropped and suffered damage.
 - d. The appliance does not appear to operate normally, or exhibits a change in performance.
12. **SERVICING** - The user should not attempt to service the appliance beyond what is described in the user's operating instructions. All other servicing should be referred to qualified service professional.
13. **LEAD AND MERCURY** - This product may contain lead and/or mercury. Disposal of these materials may be regulated by your local authorities due to environmental considerations. For more detailed disposal or recycling information, please contact your local authorities or the EIA (Electronic Industries Alliance) – <http://www.eiae.org>

Additional Safety Instructions

- When not in use, keep your device in a safe place where it will not be bent or crushed.

USER SAFETY GUIDE

FCC Notice to U.S. Users

This device complies with Part 15 of the FCC Rules. Operation is subject to the following two conditions: (1) this device may not cause harmful interference, and (2) this device must accept any interference received, including interference that may cause undesired operation. Refer to 47 CFR Sec. 15.19.

This equipment has been tested and found to comply with the limits for a Class B digital device, pursuant to Part 15 of the FCC Rules. These limits are designed to provide reasonable protection against harmful interference in a residential installation. This equipment generates, uses, and can radiate radio frequency energy and, if not installed and used in accordance with the instructions, may cause harmful interference to radio communications, which can be determined by turning the equipment off and on, the user is encouraged to correct the interference by one or more of the following measures:

- Reorient or relocate the receiving antenna.
- Increase the separation between the equipment and receiver.
- Connect the equipment to an outlet on a circuit different from that to which the receiver is connected.
- Consult the dealer or an experienced radio/TV technician for help.

NOTE: Changes or modifications not expressly approved by the party responsible for compliance could void the user's authority to operate the equipment. Refer to 47 CFR Sec. 15.21.

USER SAFETY GUIDE

Industry Canada Notice to Canadian Users

Operation is subject to the following two conditions: (1) this device may not cause harmful interference, and (2) this device must accept any interference received, including interference that may cause undesired operation of the device. Refer to IC RSS 210 Sec. 5.11. The term "IC" before the certification or registration number only means that the registration was performed based on a Declaration of Conformity and that Industry Canada technical specifications were met. It does not imply that Industry Canada (IC) approved this equipment. Refer to Self-Marking 6(f) and RSP 100 Sec. 4.

GETTING STARTED

Thank you for purchasing the JP-119. Unpack the unit and make sure all the accessories are put aside so they will not be lost.

Digital photo frame with 9" TFT LCD widescreen and built-in memory

- Displays digital photos on 9" widescreen
- 16 MB built-in memory
- Reads SD, MMC, MS, and XD (Not included)
- Supports MP3, JPEG files.
- Clock function with calendar and alarm
- Built-in stereo speaker & 3.5mm earphone jack
- Copy photos from MS, SD, MMC & XD cards or USB drive
- Three exchangeable face plates
- Rotate / Flip pictures horizontally or vertically
- No computer or Internet required
- Adjustable stand
- USB 2.0 host

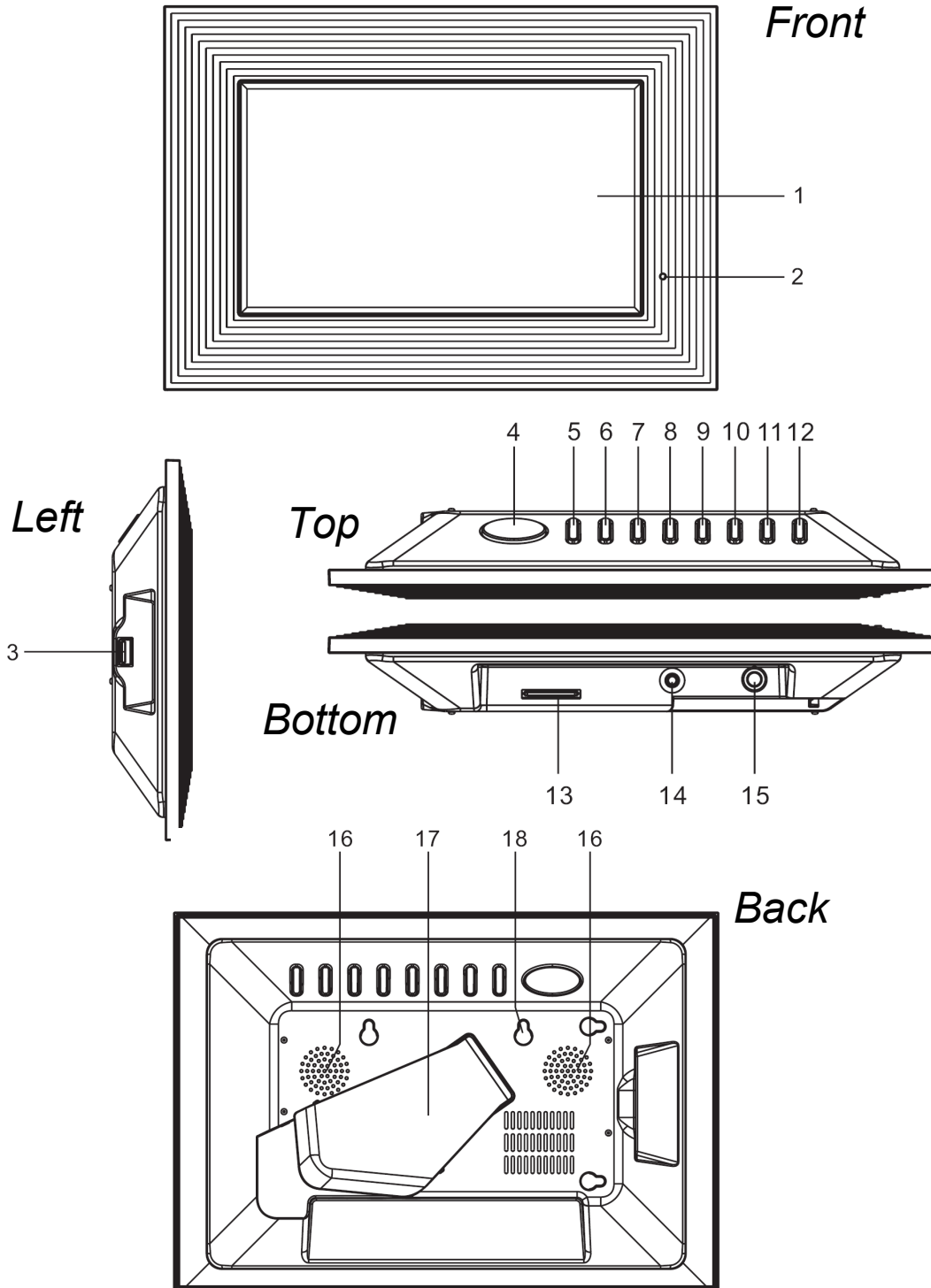


What's included

- Digital photo frame
- Three exchangeable face plates
- Remote control
- AC adapter (UL/cUL listed)
- Instruction manual

GETTING STARTED

Location of Controls



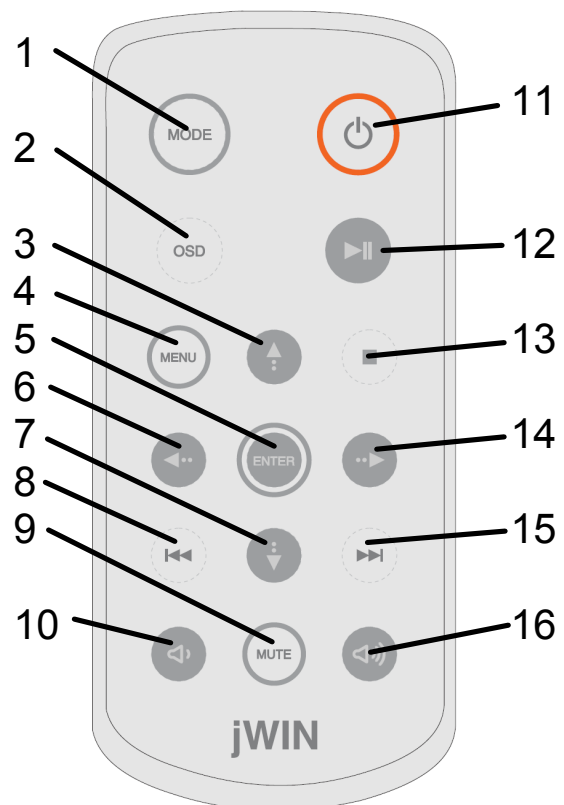
GETTING STARTED

Location of Controls-continued

1. Display Screen	7. Navigation Right Button	13. SD/MMC/XD/MS Slot
2. Remote Sensor	8. Navigation Up Button	14. DC Jack
3. USB Port	9. Navigation Down Button	15. Headphone Jack
4. Snooze/Alarm Button	10. Return Button	16. Speaker
5. Mode Button	11. Play/Enter Button	17. Bracket
6. Navigation Left Button	12. Power Button	18. Hanging Hole

Location of Controls-Remote

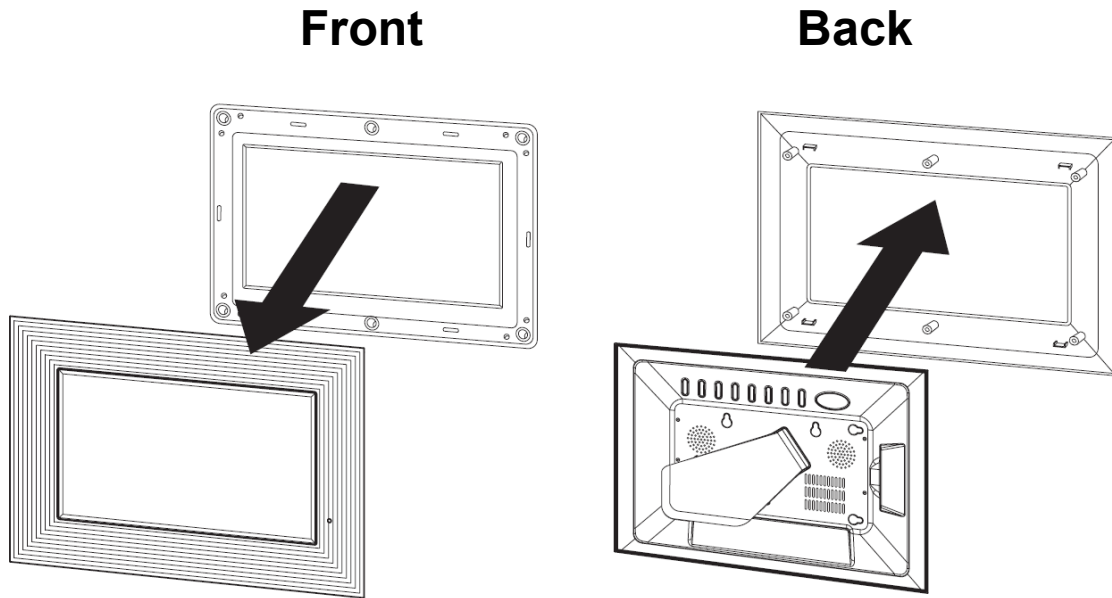
1. Mode Button
2. OSD Button
3. Navigation Up ▲ Button
4. Menu Button
5. Enter Button
6. Navigation Left ◀ Button
7. Navigation Down ▼ Button
8. Fast Backward/Previous Button
9. Mute Button
10. Volume Down (-) Button
11. Power Button
12. Play/Pause Button
13. Stop Button
14. Navigation Right ▶ Button
15. Fast Forward/ Next Button
16. Volume Up (+) Button



GETTING STARTED

Exchanging the Frame

The JP-119 has exchangeable frames. Use the illustration below as a guide for exchanging the frames.



GETTING STARTED

General Setup

1. Plug one end of the AC adapter into the AC Jack in the JP-119 and the other end to a standard AC electrical outlet.
2. Insert a memory card into the appropriate slot on the bottom of the picture frame.

Note: This unit is compatible with MMC, MS, SD, and XD memory cards. The memory card will fit in only one direction; DO NOT FORCE. When properly inserted, the card should fit firmly and securely in the appropriate slot.

3. Power the unit **ON**.

Power On / Off

1. Press the **POWER** button on the back of the main unit or on the Remote control to power the unit on.
2. Press the **POWER** button on the back of the main unit or on the Remote Control to power the unit off.

Navigating the Main Menu

After powering the unit on, the main menu will appear on the screen displaying nine (9) functions for the JP-119. Use the

NAVIGATION [**◀▶▲▼**] buttons to choose the function you wish to adjust and press **ENTER** to select.

OPERATIONAL INSTRUCTIONS

Photo Mode

Select the Photo Mode by pressing the **ENTER** button. Images on the memory card will display in a Slide Show.

- Press the **STOP** button to display thumbnails of the images on the memory card. Use the **NAVIGATION** buttons to select the preferred image.
- The Slide Show will begin at the selected image and proceed forward from there.

Rotating Images

When viewing an image on the full screen, press the **NAVIGATION** buttons to rotate the image.

- ▲ Vertical (mirror)
- ▼ Horizontal (mirror)
- ◀ 90°(counter-clockwise)
- ▶ 90° (clockwise)

Music Mode

Use the **NAVIGATION** [◀▶▲▼] buttons to scroll to the Music Mode icon. Press the **ENTER** button to select.

Use the **NAVIGATION** [▲▼] buttons to choose a music file and press the **ENTER** button to select. Music will play starting with the selected file and continue through the list continuously.

OPERATIONAL INSTRUCTIONS

Photo and Music Mode

Use the **NAVIGATION** [**◀▶▲▼**] buttons to scroll to the Photo and Music icon. Press the **ENTER** button to select. The photos will display in a Slide Show while music plays from the first song on the music list from the memory card.

Calendar Mode

Use the **NAVIGATION** [**◀▶▲▼**] buttons to scroll to the Calendar icon. Press the **ENTER** button to select. The screen will display three options.

Use the **NAVIGATION** [**▲▼**] buttons to scroll Display option. Press **ENTER** button to select. The Calendar will display on the screen.

Use the **NAVIGATION** [**◀▶▲▼**] buttons to adjust the Calendar.

- The **NAVIGATION** [**◀▶**] buttons will adjust the year.
- The **NAVIGATION** [**▲▼**] buttons will adjust the month.
- Press the **MENU** button to exit the Calendar Mode.

Use the **NAVIGATION** [**▲▼**] buttons to scroll Set Date option. Press **ENTER** button to select. Then set the date by pressing **NAVIGATION** [**◀▶▲▼**] buttons.

Use the **NAVIGATION** [**▲▼**] buttons to scroll Exit option. Press **ENTER** button to select, then to exit this function.

Clock Mode

Use the **NAVIGATION** [**◀▶▲▼**] buttons to scroll to the Clock icon. Press the **ENTER** button to select. The current time will display on the screen.

Note: For instructions on how to set the clock, go to the **Setup Mode** section of this manual.

OPERATIONAL INSTRUCTIONS

Setting the Alarm

Use the **NAVIGATION** [**◀▶▲▼**] buttons to scroll to the Alarm icon. Press the **ENTER** button to select.

In the Alarm Mode:

1. The **ENABLE** function will be highlighted.
2. Use the **NAVIGATION** [**▶**] button to switch the **ENABLE** function **ON**.
3. Press the **ENTER** button to confirm.
4. Use the **NAVIGATION** [**▼**] button to scroll down to the **SET TIME** function.
5. Press **ENTER** to confirm
6. Use the **NAVIGATION** [**▲▼**] buttons to set the hour
7. Use the **NAVIGATION** [**▶**] button to highlight the minutes.
8. Use the **NAVIGATION** [**▲▼**] buttons to set the minute
9. Press the **ENTER** button to confirm
10. Use the **NAVIGATION** [**▼**] button to scroll to the **EXIT** option.
11. Press the **ENTER** button to confirm.

Copy/Delete Mode

Use the **NAVIGATION** [**◀▶▲▼**] buttons to scroll to the Copy/Delete icon. Press the **ENTER** button to confirm.

Use the **NAVIGATION** [**▲▼**] buttons to choose Copy, Delete of Exit. Press the **ENTER** button to select.

- If you wish to Copy to the built-in memory, select the Copy option and Press the **ENTER** button.
- Use the **NAVIGATION** [**▲▼**] buttons to scroll through the images and press the **ENTER** button to select all images you wish to save.

OPERATIONAL INSTRUCTIONS

Copy/Delete Mode-continued

- Once all desired images have been chosen, press the **NAVIGATION [▶]** button to choose to Save the images or Exit the Copy/Delete mode.
- Use the **NAVIGATION [◀▶]** buttons to Save or Exit the Copy/Delete Mode.
- Press the **ENTER** button to confirm.

To delete images from the built-in memory, select the Delete option. Press the **ENTER** button to confirm.

- Saved images will appear as thumbnails on the screen. Scroll through the images using the **NAVIGATION [◀▶▲▼]** buttons and press the **ENTER** button to confirm.
- Or choose the Delete All option to delete all images from the memory. Press the **ENTER** button to confirm.

Favorite Mode

Use the **NAVIGATION [◀▶▲▼]** buttons to scroll to the Favorite icon. Press the **ENTER** button to confirm. Photos saved to the built-in memory will display as a Slide Show on the screen.

Setup Mode

Use the **NAVIGATION [◀▶▲▼]** buttons to scroll to the Setup icon. Press the **ENTER** button to confirm. Setup options will appear on the next screen.

The first setting option is Photo setting.

1. Press the **NAVIGATION [▶]** button to choose between Interval Time and Transition Effect. (Interval time will automatically be highlighted.)
2. Press the **NAVIGATION [▶]** button again to move to the sub-menu.

OPERATIONAL INSTRUCTIONS

Setup Mode-continued

3. Press the **NAVIGATION** [**▲▼**] button to choose the interval time and press the **ENTER** button to confirm.
4. Press the **NAVIGATION** [**▶**] button to choose the Transition Effect.
5. Press the **NAVIGATION** [**▲▼**] buttons to choose from several options and press the **ENTER** button to confirm.
6. Press the **NAVIGATION** [**◀**] button to proceed to the next Setup option menu.

The second setting option is the Auto Play setting.

1. Use the **NAVIGATION** [**▶**] button to choose Photo, Music, or Movie.
2. Press the **NAVIGATION** [**▶**] button again for each option and set **ON** or **OFF**.
3. Press **ENTER** to confirm.

The third setting option is the Display Setup setting.

1. Use the **NAVIGATION** [**▶**] button to choose between TFT Brightness, TFT Contrast or TFT Saturation.
2. For TFT Brightness, TFT Contrast, and TFT Saturation use the **NAVIGATION** [**▶**] button to display a range and press the **NAVIGATION** [**▲▼**] buttons to select desired levels for each option.
3. Press the **ENTER** button to confirm.

The fourth setting option is Custom Setup setting.

1. Use the **NAVIGATION** [**▶**] button to choose between OSD Language, Style, Repeat Mode, Media, Default and Set Time (Set the clock).

OPERATIONAL INSTRUCTIONS

Setup Mode-continued

2. For OSD Language, use the **NAVIGATION [▶]** button to choose English, French, or Spanish.
3. Press the **ENTER** button to confirm.
4. For Style, press the **NAVIGATION [▶]** button to choose from four (4) styles of menu display.
5. Press the **ENTER** button to confirm.
6. For Repeat Mode, use **NAVIGATION [▶]** the button to choose the method of photo repeat from One, Folder or All.
7. Press the **ENTER** button to confirm.
8. To return to factory settings, choose the Default option.

Setting the Clock

In the Setup Mode, under the Custom Setup options, use the **NAVIGATION [▶]** button to choose Set Time.

1. Use the **NAVIGATION [▲▼]** buttons to set the hour and the **NAVIGATION [▶]** button to confirm and set minute.
2. Use the **NAVIGATION [▲▼]** buttons to set the minute and press the **ENTER** button to confirm the time setting.
3. Press the **NAVIGATION [◀]** button to exit time setting and press the **NAVIGATION [▼]** button to move to the Exit icon.
4. Press the **ENTER** button to exit the Setup Menu.

Cleaning the Casing and Frame

Use a soft dry cloth. If necessary, apply a small amount of ammonia-free, alcohol-free cleaner to the cloth.

CAUTION: Alcohol and ammonia-based cleaners may damage the product.

TROUBLESHOOTING GUIDE

No image is shown

- AC adapter may not be properly connected. Check to see that connections are correct and secure on the left side of the unit and in the wall outlet.
- Be sure the unit is turned ON. Press **Power button** to power on the player.
- Files may not be in JPEG format. This unit only supports JPEG files.
- Memory card is not inserted. Insert memory card.
- Memory card may not be supported by this unit. Use only SD, MMC, MS or XD cards. Use of different may cause damage to the card or to this unit.
- File may not be on memory card. Make sure image is saved to memory card and re-insert card.

Image is distorted

- Actual image may be distorted. View image on your computer to see if it is a distorted image.

Image is inverted

- Image is upside down or sideways. Press the **NAVIGATION** [◀▶] button repeatedly to rotate the image.

SPECIFICATIONS

- Solution: Cheertek CT955A
- Resolution: 640 (RGB) X 220
- Aspect Ratio: 16:9
- LCD Panel
 - Diagonal Size: 9"
 - Viewing Angles:
- Audio Output Power
 - RMS output at 10% THD:
 - Maximum output:
- Inputs & Outputs
 - 3.5mm Stereo Headphone Jack
 - Power Adapter (DC) Input Jack
- Memory Card Type
 - SD, MMC, MS, and XD
 - USB2.0 host
- Power Sources
 - 9V (AC/DC) Power Adapter
 - Input (AC): 120-240V 50/60Hz 0.3A (different with adapter information, need double check)
 - Output (DC): 9V 1.5A
- Power Consumption: 8W

jWIN

TEL: 516-626-7188

FAX: 516-626-7105

website: www.jWIN.com

© 2007 jWIN Electronics Corp. All rights reserved. No portion of this printed material or product enclosed herewith including design, shape and graphics, may be reproduced or transmitted in any form without the expressed written consent of jWIN Electronics Corp. by any means, electronic or mechanical, including photocopying, recording or use of an information storage and retrieval system. Any unauthorized distribution or reproduction of this printed material or product, or any portion thereof, will be prosecuted to the fullest possible extent of the law.

Free Manuals Download Website

<http://myh66.com>

<http://usermanuals.us>

<http://www.somanuals.com>

<http://www.4manuals.cc>

<http://www.manual-lib.com>

<http://www.404manual.com>

<http://www.luxmanual.com>

<http://aubethermostatmanual.com>

Golf course search by state

<http://golfingnear.com>

Email search by domain

<http://emailbydomain.com>

Auto manuals search

<http://auto.somanuals.com>

TV manuals search

<http://tv.somanuals.com>