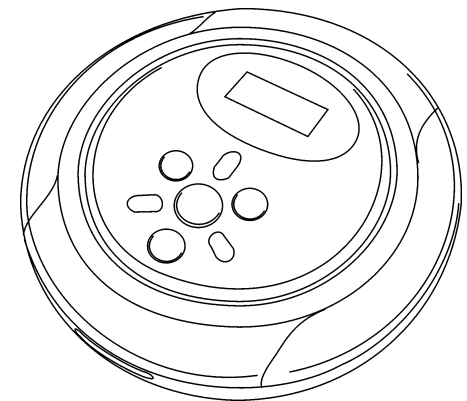


jWIN[®]

JX-CD915

**PORTABLE CD/MP3 DISC PLAYER
WITH FM STEREO RADIO**

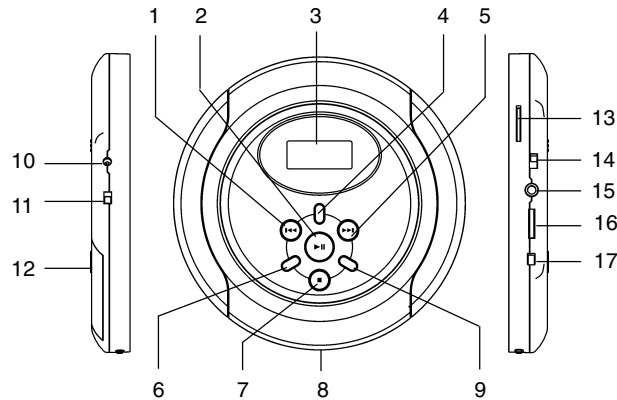


INSTRUCTION MANUAL

ENGLISH

LOCATION OF CONTROLS

- | | |
|----------------------------|-----------------------|
| 1. SKIP / SEARCH DOWN | 10. DC JACK |
| 2. PLAY / PAUSE (POWER ON) | 11. HOLD SWITCH |
| 3. LCD DISPLAY | 12. BATTERY DOOR |
| 4. ASP / DIR. UP | 13. TUNING KNOB |
| 5. SKIP / SEARCH UP | 14. FUNCTION SWITCH |
| 6. MODE / PROG | 15. HEADPHONE JACK |
| 7. STOP / (POWER OFF) | 16. VOLUME |
| 8. OPEN KNOB | 17. BASS BOOST SWITCH |
| 9. EQ | |



CAUTION

USE OF CONTROLS OR ADJUSTMENTS OR PERFORMANCE OF PROCEDURES OTHER THAN THOSE SPECIFIED HEREIN MAY RESULT IN HAZARDOUS RADIATION EXPOSURE. THIS SHOULD NOT BE ADJUSTED OR REPAIRED BY ANYONE EXCEPT QUALIFIED SERVICE PERSONNEL.

IMPORTANT : Since movement of the CD mechanism and the sensitive circuitry may cause interference to the radio tuner nearby, switch this unit off while operating other radio devices.

— 2 —

PREPARATIONS BEFORE USING

Battery Installation

1. Open Battery Compartment cover.
2. Insert 2 batteries (LR6, "AA" size, or equivalent) in the correct polarity as indicated. (Heavy duty batteries are recommended.)
3. Close the cover properly.

AC Power Adaptor

1. Plug the DC output of the adaptor to the DC Jack.
2. Connect the adaptor (4.5V/600mA) to a power outlet. Make sure the voltage is compatible.

DISC PLAYING

This CD player is designed to play the 8cm and 12cm compact disc without using adaptor.

Hold Switch

Set the HOLD button to "ON" position, all the buttons will be locked. Before operation, be sure to set the switch to "OFF" position, for normal operation.

Getting Start

1. Insert the headphone/earphone plug to PHONE JACK.
2. Set the FUNCTION SWITCH to CD position, Push the OPEN button to right side, and then the door open, put a disc into the CD compartment with label side upward.
3. Push the disc gently around the centre area until it clicks so that the disc fits into the pivot. (To remove the disc : Pick up the disc, holding the edge, while pressing the pivot gently.)
4. Close the door and press the PLAY/PAUSE button once.
5. The Display will show the total number of tracks of the disc and total playing time, then begin to play the first track.

General Operation

- | | |
|------------------------------------|--|
| Play/Pause Button ▶ | — Press once to start playback in the original order. Press again to stop the disc play temporarily. |
| Stop Button ■ | — Press once to stop playback. Press again to turn off power |
| Skip / Search Buttons ◀◀ ▶▶ | — Press once to skip to next track ▶▶ or back to previous track ◀◀ .
— Press continuously to search forward ▶▶ or backward ◀◀ . |
| ASP / Directory UP Button | — ASP ON / OFF (For CD Disc).
— Directory UP (For MP3 Disc). |

— 3 —

Various Playing Modes

MODE Button — There are 3 kind of function :

A. Repeat Play

During PLAY mode

- Press the MODE/PROG button once to play single track repeatedly.
- The repeat indicator **CD 1** will appear in the display.

During PLAY mode

- Press the MODE/PROG button twice (Three times in MP3 disc) to play the entire disc repeatedly.
- The repeat indicator **CD ALL** will appear in the display.
- Press the MODE button twice in MP3 disc to play the directory repeatedly.
- The repeat indicator DIR will appear in the display.

NOTE - To cancel REPEAT simply press the MODE/PROG button until the repeat indicator disappears.

B. Random Play

DURING PLAY mode

- Press the MODE/PROG button 3 times. (4 times in MP3 disc)
- The SHUF indicator will appear in the display.
- Press the PLAY button, all the tracks on a disc to be played in a random sequence.

NOTE - To cancel RANDOM PLAY simply press the MODE/PROG button until the SHUF indicator disappears.

C. Intro Scan

DURING PLAY mode

- Press the MODE/PROG button 4 times. (5 times in MP3 disc)
- The INTRO indicator will appear in the display.
- Press the PLAY button to play the first 10 seconds of each track on the disc.

NOTE - To cancel INTRO SCAN simply press the MODE/PROG button until the INTRO indicator disappears.

PROGRAM PLAY (FOR CD DISC)

1. In stop mode, press the MODE/PROG button to make program memory.
2. " PGM 0P -01" will be displayed, "0" means track number to memory and "P-01" means program number. * "0" flashing appears on the display.
3. Press **◀◀** or **▶▶** button to select the desired track.
4. Press the MODE/PROG button to enter the track into memory, the program numbers which will be increment one step. * The program no. "P-01" has become "P-02" on the display.
5. Repeat step 3 and 4 until memory is full.
6. Press **▶||** button to start the program play.
7. To stop the program play, press the STOP button.
8. For program play in step " 7 " , press the MODE/PROG button & **▶||** button.
9. To erase the program memory, TURN off the power or open the door.

— 4 —

PROGRAM PLAY (FOR MP3 DISC)

- In stop mode, press the MODE/PROG button to make program memory.
- " PGM 0P-01 0 " will be displayed. " 0 " means DIRECTORY number, " 0 " means file number, "P-01" means program number.
* " 0 " flashing appears on the display.
- Press the ASP/DIR button to select the desired directory.
- Press **◀** or **▶** button to select the desired file.
- Press the MODE/PROG button to enter the DIRECTORY and file into memory.
The program number which will be increment one step.
* The program no."P-01" has become "P-02" on display.
- Repeat step 3 to 5 until memory is full (UP TO 60 FILES).
- Press **▶** button to start the program play.
- To stop the program play, press the STOP button.
- For program play in step " 8 ", press the MODE/PROG button & **▶** button.
- To erase the program memory, turn off the power or open the door.
* If you do not need to select directory, only select files, the above step 3 can pass.

DIGITAL ANTI-SHOCK OPERATION

The DIGITAL ANTI-SHOCK PROTECTION function uses semiconductor memory to prevent the second from skipping when the unit is subjected to shocks and vibration during play.

When the PLAY/PAUSE button is pressed and the power turns on, the "ASP" appear and the digital Anti-Shock Protection function turns on automatically.

It will give approximately 40 seconds(MP3 120 seconds) of protection against interruption of sound output, if the player is subjected to shocks of more than 40 seconds duration, some interruption of sound output will occur, this is normal and to be expected, the sound will resume once the player has stabilized from the shock.

- To turn this function off, press ASP/DIR button once, the ASP indicator will disappear. (FOR CD DISC ONLY)
- In MP3 disc always has the ASP function and the ASP time is 120 seconds at 128 Kbps bit rate.

RADIO OPERATION

Perform the following in sequence:

- Insert the headphone/earphone plug to PHONE JACK.
- Set the FUNCTION SWITCH to the FM ST. position.
- Turn the TUNING KNOB in the desired radio station.
- Adjust the VOLUME CONTROL.
- To turn the radio off, set the FUNCTION SWITCH to CD position.

Notes :

- When listening to FM program, the phone cord works as an antenna. To insure maximum tuner sensitivity, keep the phone cord (antenna) always straight. Do not fold it.
- Reception sensitivity depends on the placement of the phone cord. Try to determine the cord position which provides the best sensitivity.

— 5 —

- If FM signal is too weak, may cause big noise for stereo stations, please set the function switch to FM MO. position.

BBS (BASS BOOST SYSTEM) FUNCTION

Set the BBS button to ON position to enhance the bass effect.

PRESET EQUALIZER FUNCTION

Press the EQ button activates 4 Kinds of sound effect as follows:

CLASSIC → **ROCK** → **JAZZ** → **POP**

* The EQ indicator will appear on the display.

MAINTENANCE

Cleaning the Lens

From time to time, clean it with camera lens blower. Be careful not to scratch the surface of the lens.

Cleaning the Cabinet

From time to time, clean the cabinet with a soft dry cloth. For more stubborn stains, slightly moisten the cloth with water or a mild detergent solution. Never use benzene, alcohol or other solvents as they may damage the finish of the cabinet.

SPECIFICATIONS

CD:

Output Power : $\geq 20\text{MW}$ ($32\ \Omega$)
Freq. Response : 100 ~ 20000 Hz

RADIO:

Frequency range : FM 88 - 108MHz
Output Power : $\geq 20\text{MW}$ ($32\ \Omega$)
Power Source : 2 x UM-3 or AA size batteries
4.5V (600mA) AC - DC adaptor
Dimensions : 142mm(W) x 142mm(D) x 32mm(H)

** For improvement purposes, specification and design are subject to change without notice. **

— 6 —

TROUBLE SHOOTING GUIDE

Cleaning the Disc

When a disc becomes dirty, clean it with a cleaning cloth. Wipe the disc from the center out.

Note - Do not use solvents such as benzine, thinner, commercially available cleaners or anti-static spray intended for analogue discs.

** Should you experience difficulties in the use of this player please refer to the following chart before contacting your dealer or the place of purchase.

Troubleshooting Guide	
Problem	Points to check
Player fails to function	<ul style="list-style-type: none"> The disc may be inserted upside down. The disc not mounted correctly on the chuck. Dirty or a defective disc. Dirty pick up lens. Player lid not closed. Moisture condensation, allow the player to warm up to room temperature for 60 minutes. AC Power to an adaptor switched off. Auto power off has occurred, press PLAY button to restore power. Weak batteries. Hold switches at ON position, switch to OFF position.
No sound from Earphones	<ul style="list-style-type: none"> Earphones' plug is not firmly inserted into the Phones socket. VOLUME set on min. position.
Intermittent Sound	<ul style="list-style-type: none"> Dirty or defective disc. Dirty pick up lens. The player is subject to excessive vibration or shock. Low battery power. Poor Earphone connection.

— 7 —

Free Manuals Download Website

<http://myh66.com>

<http://usermanuals.us>

<http://www.somanuals.com>

<http://www.4manuals.cc>

<http://www.manual-lib.com>

<http://www.404manual.com>

<http://www.luxmanual.com>

<http://aubethermostatmanual.com>

Golf course search by state

<http://golfingnear.com>

Email search by domain

<http://emailbydomain.com>

Auto manuals search

<http://auto.somanuals.com>

TV manuals search

<http://tv.somanuals.com>