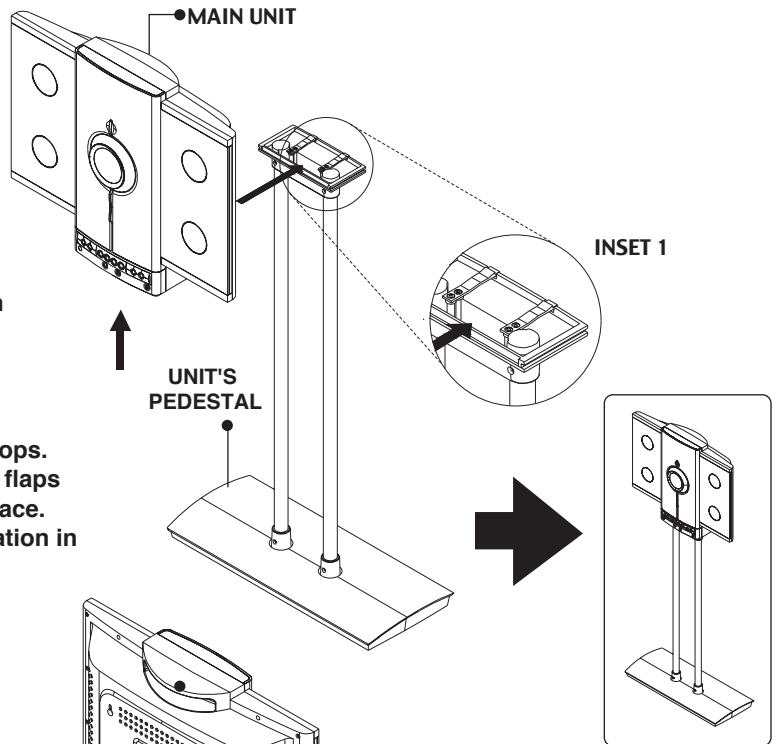


INSTALLATION FOR ASSEMBLY OF JX-CD8500/JX-CD8500D

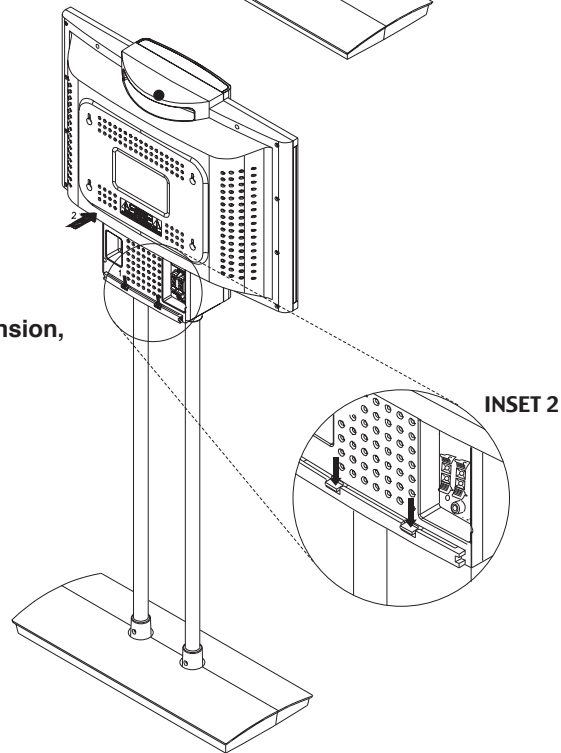
Main Unit Assembly

- Locate the Main Unit's pedestal. Notice that its two legs are mounted closer to one side of the pedestal's base than to the other. Position that side of the pedestal so that it faces you, as shown in the diagram. At this time, also check that the small platform above the pedestal is oriented as shown in INSET 1.
- Carefully lift the Main Unit by grasping its top rear extension with one hand, and its bottom with the other.
- Place one foot on the base of the pedestal to steady it, and with the Main Unit facing you, align the Main Unit's bottom groove with the mating groove atop the pedestal. Slide the Main Unit all the way onto to the pedestal until it stops.
- At the rear of the Main Unit, push the pedestal's two locking flaps UP (see INSET 2) until they click and lock the Main Unit in place.
- Position the pedestal/Main Unit assembly in the desired location in your premises.



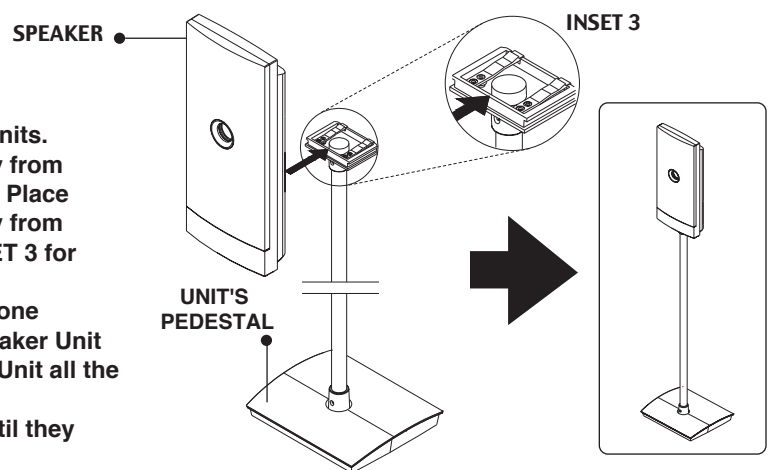
Main Unit Disassembly

- Locate the two locking flaps on the pedestal's platform (see INSET 2) and push them both DOWN to release the Main Unit from its locked position.
- Place one foot on the base of the pedestal to steady it, and then carefully slide the Main Unit forward, and off the pedestal by supporting it with one hand at the Main Unit's top rear extension, and the other hand at its base.
- Handle the Main Unit carefully and store it as required.



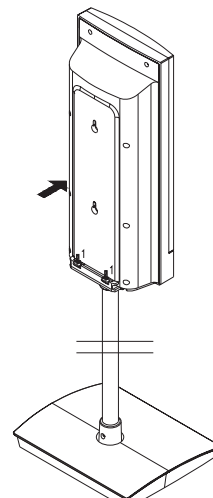
Speaker Unit Assembly

- Locate the two pedestals used to support the two Speaker Units. Notice that the leg on each pedestal is mounted further away from one side of the pedestal's base than it is from the other side. Place each pedestal so that the side of its base that is further away from its leg is facing you. Check the diagram at the right and INSET 3 for the correct position of each pedestal.
- Lift up one of the Speaker Units. Place a foot on the base of one pedestal to steady it, and align the bottom groove of the Speaker Unit with the mating groove atop the pedestal. Slide the Speaker Unit all the way onto to the pedestal until it stops.
- At the rear of the pedestal, push the two locking flaps UP until they click and lock the Speaker Unit in place.
- Repeat the above steps for the other Speaker Unit and pedestal.
- Position both pedestal/Speaker Unit assemblies in the desired location in your premises.



Speaker Unit Disassembly

- Locate the two locking flaps on the pedestal mount and push them both DOWN to release the Speaker Unit from its locked position.
- Place one foot on the pedestal's base to steady it, and then carefully slide the Speaker Unit forward, and off the pedestal.
- Repeat the above for the other pedestal/Speaker Unit combination.
- Handle the Speaker Units carefully and store them as required.



Free Manuals Download Website

<http://myh66.com>

<http://usermanuals.us>

<http://www.somanuals.com>

<http://www.4manuals.cc>

<http://www.manual-lib.com>

<http://www.404manual.com>

<http://www.luxmanual.com>

<http://aubethermostatmanual.com>

Golf course search by state

<http://golfingnear.com>

Email search by domain

<http://emailbydomain.com>

Auto manuals search

<http://auto.somanuals.com>

TV manuals search

<http://tv.somanuals.com>