

KALORIK



www.KALORIK.com



Ice cube maker

USK ICBM 30116
USK ICBM 30155

115VAC - 60Hz 195W



EN OPERATING INSTRUCTIONS

IMPORTANT SAFEGUARDS

1. READ ALL INSTRUCTIONS

2. Check that your mains voltage corresponds to that stated on the rating plate of the appliance before using the appliance.
3. To protect against electric shock do not immerse cord, plugs, the appliance or its control panel in water or other liquid.
4. Close supervision is necessary when the appliance is used by or near children.
5. Do not operate any appliance with a damaged cord or plug or after the appliance malfunctions or has been damaged in any manner. Return appliance to the nearest authorized service facility for examination, repair, or adjustment.
6. Unplug from outlet when not in use and before cleaning.
7. The use of accessory attachments not recommended by the appliance manufacturer may cause injuries.
8. Do not use outdoors.
9. Do not let cord hang over edge of table or counter.
10. Do not place on or near a hot gas or electric burner, or in a heated oven.
11. Always attach plug to appliance first, then plug cord in the wall outlet. To disconnect, remove plug from wall outlet.
12. Avoid sudden temperature changes, such as adding hot water in the ice basket.
13. Do not use appliance for other than intended use.
14. Do not clean your ice maker with flammable fluids. The fumes can create a fire hazard or explosion.
15. Do not tip over.
16. If the ice maker is brought in from outside in wintertime, give it a few hours to warm up to room temperature before plugging it in.
17. Only use drinkable water to prepare ice.
18. Never block the ventilation grids.

SAVE THESE INSTRUCTIONS
HOUSEHOLD USE ONLY



SHORT CORD INSTRUCTIONS

A short power supply cord is provided to reduce the hazards resulting from becoming entangled in, or tripping over a longer cord. Extension cords may be used if care is exercised in their use.

- The electrical rating of the extension cord should be at least that of the appliance. If the electrical rating of the extension cord is too low, it could overheat and burn.
- The resulting extended cord should be arranged so that it will not hung over the counter top or tabletop where it can be pulled on by children or tripped over.

SPECIFICATIONS

Electrical requirements	115V AC 60Hz, 1PH (Mono-phase)
Fuse type	AC 250V, 3.15A, ϕ 5 x 20
Ice Making Capacity	10-15 kg per day / 22-33 lb. per day
Ice Sizes	Small, Large
Ice Storage Capacity	1.0 kg / 2.2 lb.
Compressor	High efficiency, CFC free
Refrigerant gas	R134a
Water Reservoir	1.5 L / 50 Oz.
Dimensions	350 x 305 x 360 mm / 13 $\frac{3}{4}$ x 12 x 14 $\frac{1}{4}$ in.
Net Weight	13.0 kg / 28.6 lb.

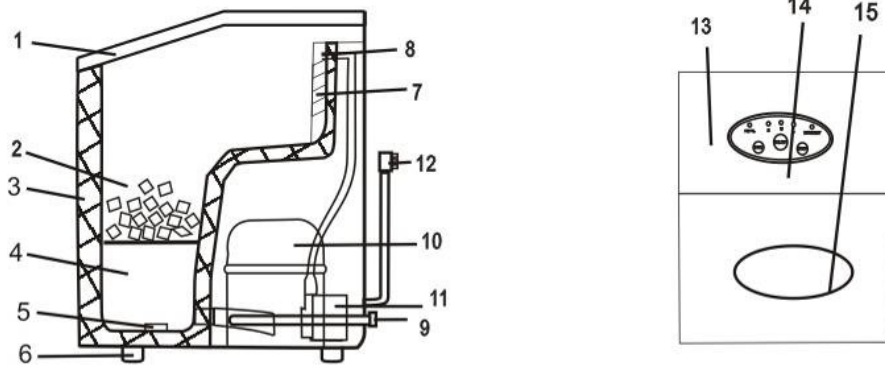
BEFORE USE

- During transportation, DO not angle the cabinet over 45°
- Do NOT put the ice cube maker upside down. Otherwise Problems could occur in the compressor and sealed System.
- The ice maker should be placed horizontally on a properly leveled surface.
- To ensure proper ventilation, it is important to set a minimum space of 150mm / 6 in. at the top, at the back and on each side for your ice cube maker.
- Before using the Ice maker for the first time, **please wait 2 hours** after putting it in place to start the appliance.
- Clean the inner liner, ice collecting tray, water box, ice shovel and evaporator frequently (see Cleaning and Care section).



Note: Do not use the Ice maker near an oven, radiator, or other heat source.

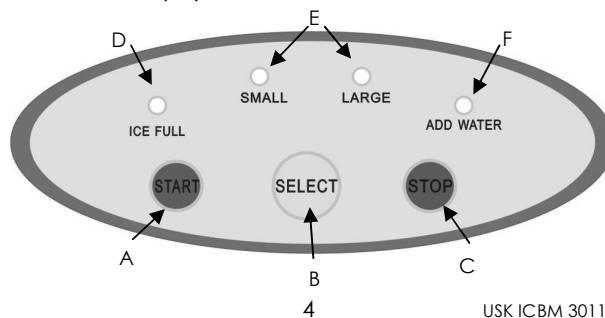
PART DESCRIPTION



1.	Lid	9.	Water drain plug
2.	Ice collecting basket	10.	Compressor
3.	Front housing	11.	Water pump
4.	Water tank	12.	Power cord
5.	Filter	13.	Upper view
6.	Feet	14.	Control panel
7.	Evaporator	15.	Lid window
8.	Water inner tube		

CONTROL PANEL

- A. START button
- B. Size selector
- C. STOP button
- D. Ice full indicator
- E. Cube size pilot lights
- F. Water tank empty indicator



USK ICBM 30116/30155 - 090716



OPERATION

- After having unpacked the appliance, clean water tank and ice basket thoroughly. **Wait for 2 hours before taking the next step.**
- Pour drinkable water in the water tank. Do not try to fill more than 50 Oz. water or above the level of the ice basket.
- To select the size of the ice cubes, press the SELECT button until the corresponding pilot light turns on. "S": small, or "L": large.
- Press START button to start the ice making process.
- If the water tank is getting empty, the "ADD WATER" pilot light will turn on and a long beep will sound. In that case, **the compressor will stop automatically.** Remove the ice basket, refill the water tank. **Wait for 3 mn** after the beep sound before pressing the START button to resume the ice making process.
- When the "ICE FULL" pilot light switches on, a beep will sound; it means that you should empty the ice basket. In that case, the compressor will stop automatically. Empty the ice basket completely or partially. **Wait for 3 mn** after the beep sound before pressing the START button to resume the ice making process.
- You can stop the ice making process at any time by pressing the STOP button, to switch off the appliance.
- Do not leave the ice maker non working for a long period of time, as the water could get stale and improper for consumption. If you do, please refer to the "Cleaning and Care" section of this user manual.

NOTES:

- ✓ If the ambient temperature is below 15°C/60°F, we advise you to select the small size. If the ambient temperature is higher than 29°C/85°F, we recommend you select the large size.
- ✓ For best performance, the temperature of the water you pour into the water tank should be between 7°C/45°F and 25°C/75°F and the ambient temperature between 15°C/60°F and 37°F/100°F.
- ✓ If you select the large size, the ice making process will be a little bit longer.
- ✓ **You must press "START" button to restart the ice maker after you add water or take out some of the ice after a warning signal. If you do not, the compressor will automatically restart**



operation though, when the temperature in cavity will reach above 5°C/ 40°F

CLEANING AND CARE

- If the compressor stops for any reason such as water shortage, too much ice, power off, etc... Do not start the system right away, **wait 3 minutes**, and then re-start the ice maker.
- Always add fresh water before starting ice production at initial installation or after long shut off periods.
- To ensure the cleanliness of the ice cubes, water in the water reservoir should be replaced every 24 hours
- Always unplug the appliance before cleaning it.
- Clean the inner liner, ice collecting tray, water box, ice shovel and evaporator frequently. Please do not use chemicals improper for parts in contact with food. Rinse thoroughly before starting the appliance again.
- Wipe the appliance's housing with kitchen paper or a soft damp cloth.
- NEVER immerse the appliance in water or any other liquid.
- NEVER put any part of the appliance in the dishwasher.
- Do NOT use abrasive products.
- If you see a decrease in performance, limescale could be the cause. Please use a solution with water and descaling agent formulated for coffee makers (do NOT use vinegar). Start the ice cube maker and let the solution run through for 5 minutes. Stop the appliance for 5 minutes. Start the appliance again for 5 minutes and stop the appliance again. Remove all the solution by using the drain plug at the back. Once done, rinse thoroughly, repeating the whole operation twice or three times, this time with clean water only. Do NOT consume the ice that might have been done with the descaling solution.
- When you know that you will not use the appliance for a long period, remove the drain plug and let the water come out of the water tank. Screw the drain plug back in place after the water has been drained.



TROUBLESHOOTING

Problem	Possible Cause	Suggested Solutions
"Add water" indicator light is on, a long beep sounds	There is no water	Fill the water tank with water, wait 3 minutes and press the start button to restart.
"Ice Full" indicator light is on, a beep sounds	The ice tank full capacity is reached	Empty ice basket completely or partially, wait 3 minutes and press the start button to restart.
My Ice melts	The compressor has stopped automatically.	Restart the compressor by pressing on start after the "Ice Full" or "Add Water" have been lit (see above). Nevertheless, operation will restart automatically once the temperature in the cavity will be above 40°F
Pilot lights do not turn on	Blown fuse/ No power	Check the power socket / Have the fuse replaced by a competent electrician. Please use fuse value AC 250V, 3.15A, 5 x 20 only
The Ice made falls like a single block, with a lot of cubes sticking together.	The water temperature in the water storage box or ambient is too low	Stop the machine and reset the ice making cycle. Restart the machine after turning it off.
Conditions for ice making cycles are right but no ice is made.	Refrigerant might be leaking / sealed system is blocked	Call 1-888-KALORIK for service or email through www.kalorik.com
The lights of ice full and deficient come on in the same time.	Water tray is blocked by ice cube	Unplug the appliance. Clean the evaporator. Plug the appliance back in and press the "START" button. The appliance will restart automatically after 2 minutes.
The ice cube maker is jammed, or the water does not flow uniformly in the evaporator	Water pipe is clogged by limescale or other particles	Please pull out the cap of the water pipe, then let the water through the pipe in order to clean it and wash the clog away, then replace the cap. Resume operation.



WARRANTY

We suggest that you complete and return the enclosed Product Registration Card promptly to facilitate verification of the date of original purchase. However, return of the Product Registration Card is not a condition of these warranties. You can also fill this warranty card online, at the following address: www.KALORIK.com

This KALORIK product is warranted for 1 year from the date of purchase against defects in material and workmanship. This warranty is not transferable. Keep the original sales receipt. Proof of purchase is required to obtain warranty performance.

During this period, the KALORIK product that, upon inspection by KALORIK, is proved defective, will be repaired or replaced, at KALORIK's option, without charge to the customer. If a replacement product is sent, it will carry the remaining warranty of the original product.

This warranty does not apply to any defect arising from a buyer's or user's misuse of the product, negligence, failure to follow KALORIK instructions noted in the user's manual, use on current or voltage other than that stamped on the product, wear and tear, alteration or repair not authorized by KALORIK, or use for commercial purposes. There is no warranty for glass parts, glass containers, filter basket, blades and agitators, and accessories in general. There is also no warranty for parts lost by the user.

ANY WARRANTY OF MERCHANTABILITY OR FITNESS WITH RESPECT TO THIS PRODUCT IS ALSO LIMITED TO THE ONE YEAR LIMITED WARRANTY PERIOD

Some states do not allow limitation on how long an implied warranty lasts or do not allow the exclusion of incidental or consequential damages, so the above limitations may not apply to you. This warranty gives you specific legal rights, and you may also have other rights which vary from state to state.



If the appliance should become defective within the warranty period and more than 30 days after date of purchase, do not return the appliance to the store: often, our Consumer Service Representatives can help solve the problem without having the product serviced. If servicing is needed, a Representative can confirm whether the product is under warranty and direct you to the nearest service location.

If this is the case, bring the product (or send it, postage prepaid), along **with proof of purchase** and indicating a **return authorization number** given by our Consumer Service Representatives, to the nearest authorized KALORIK Service Centre (please visit our website at www.KALORIK.com or call our Customer Service Department for the address of the nearest authorized KALORIK Service Centre). If you send the product, please include a letter explaining the nature of the claimed defect.

If you have additional questions, please call our Consumer Service Department (please see below for complete contact information), Monday through Friday from 9:00am - 6:00pm (EST). Please note hours are subject to change.

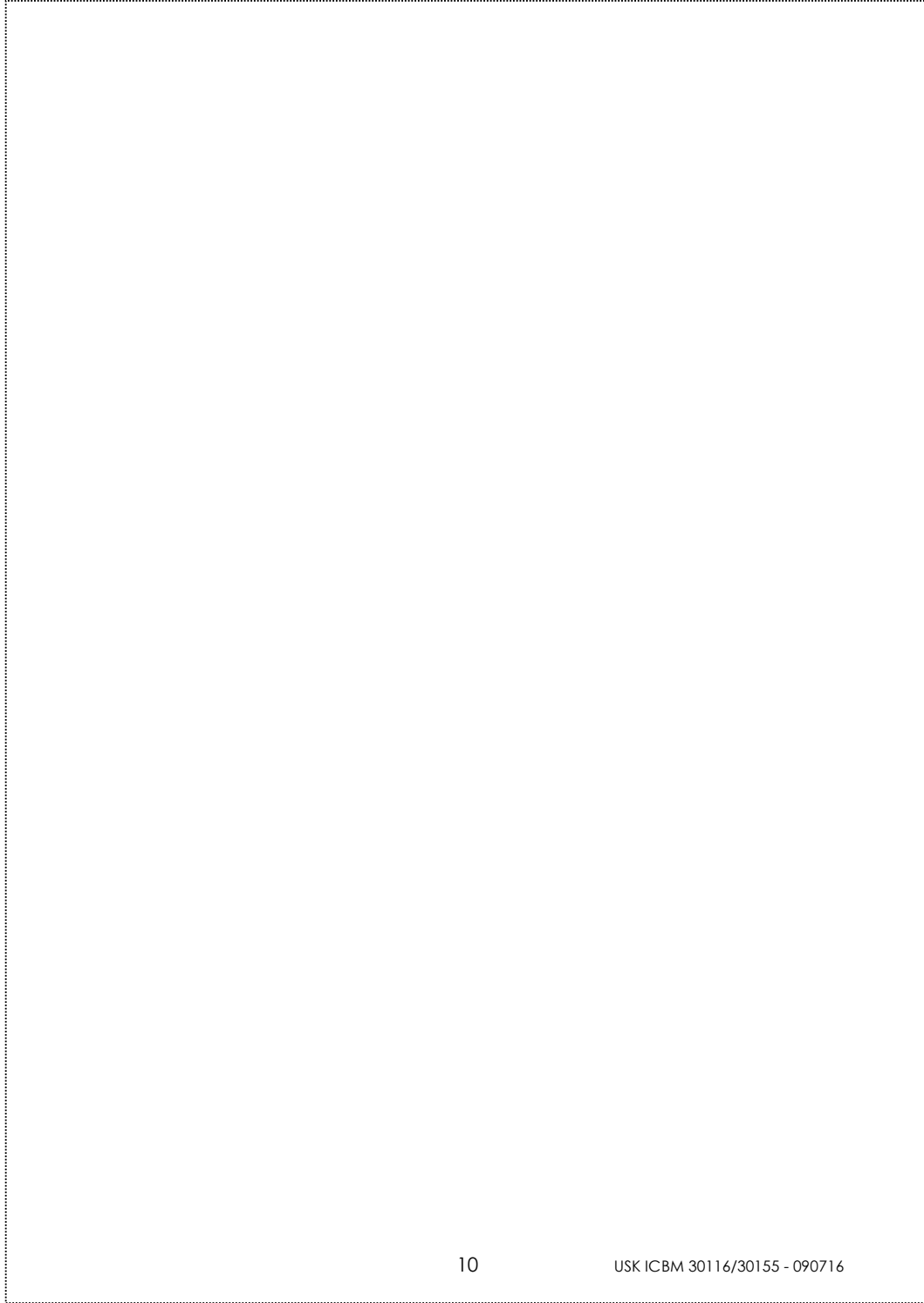
If you would like to write, please send your letter to:

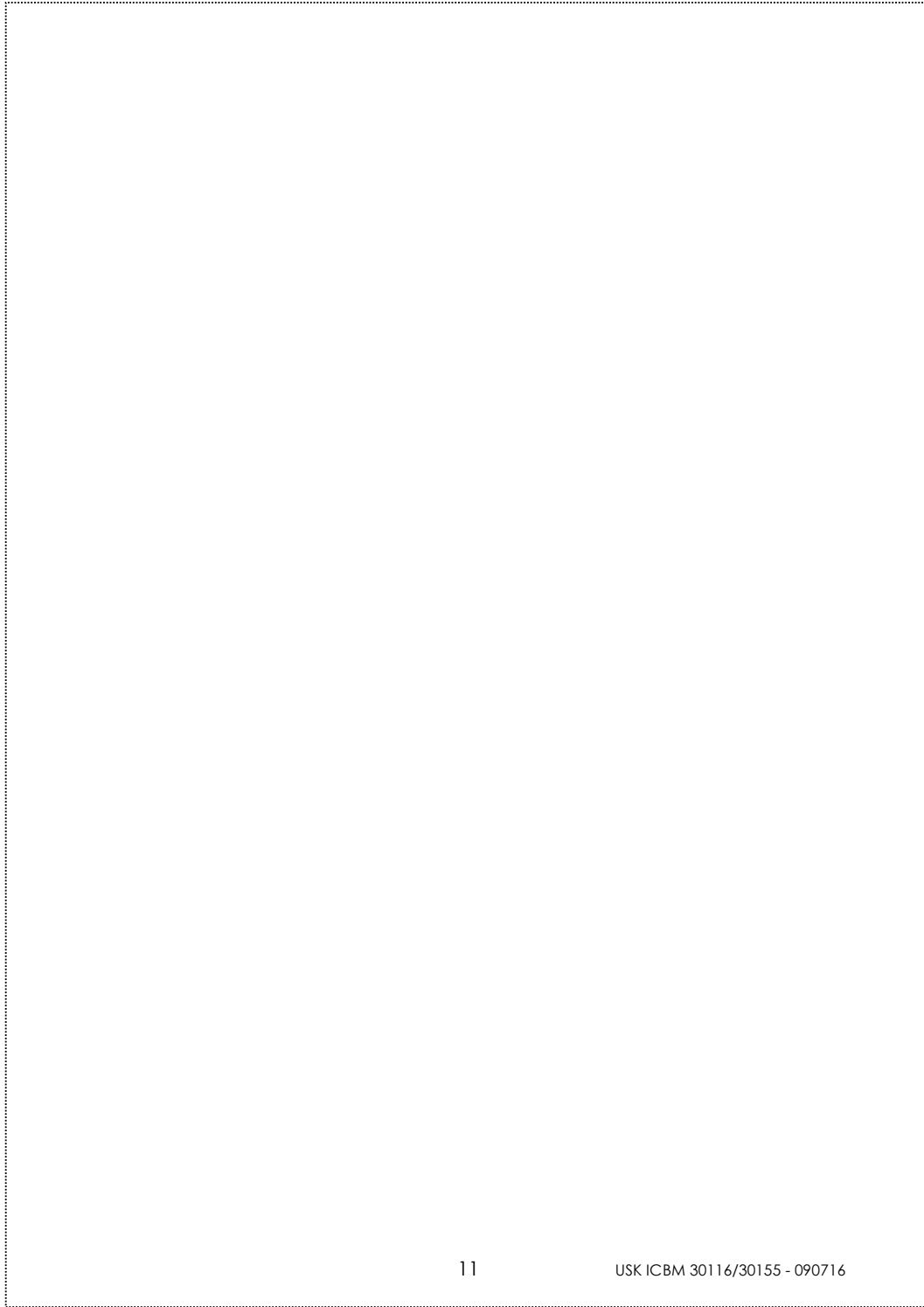
KALORIK Consumer Service department
Team International Group of America Inc
1400 N.W 159th Street, Suite 102
Miami Gardens, FL 33169 USA

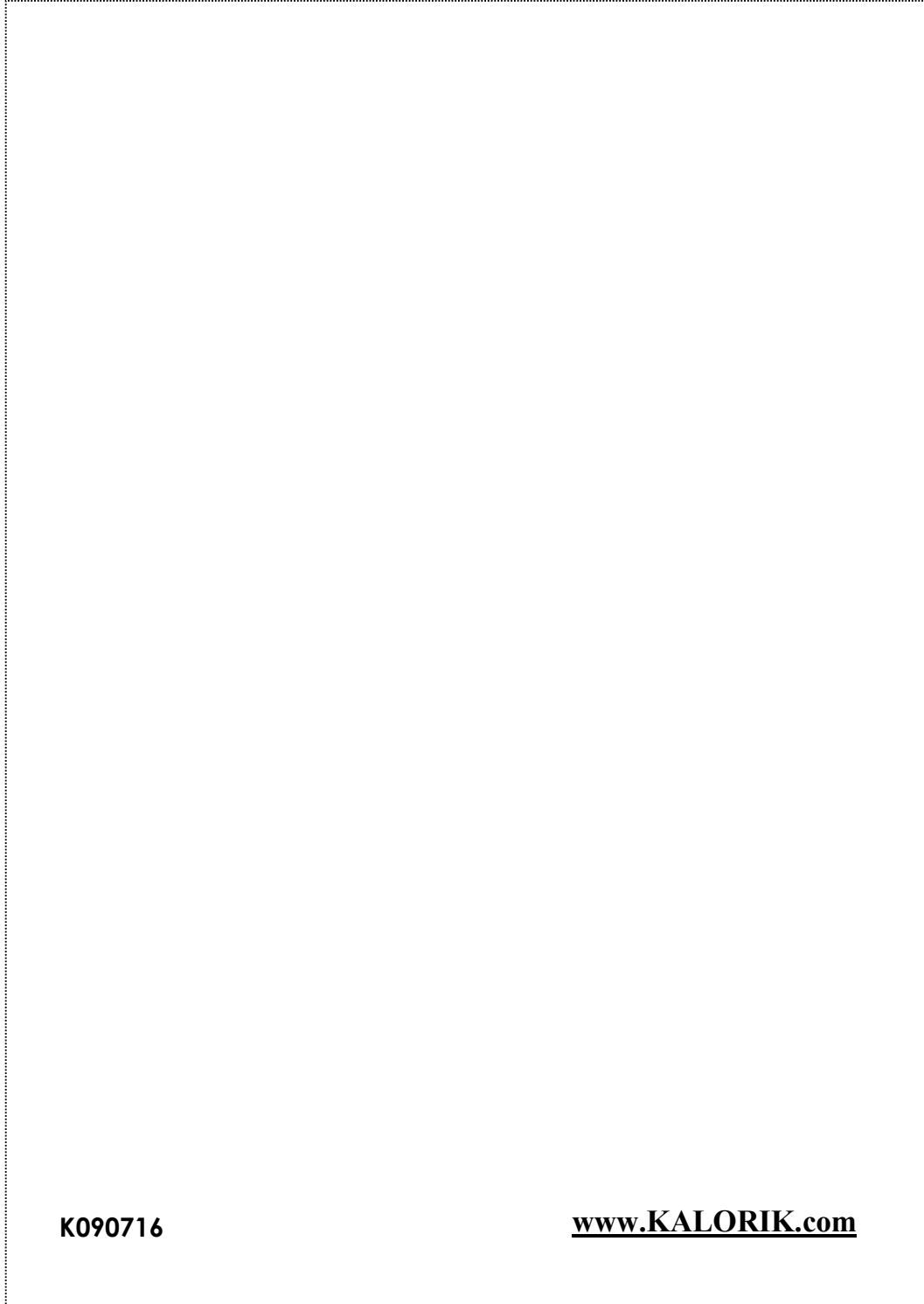
Or call :

Toll Free: +1 888-KALORIK

Only letters can be accepted at this address above. Shipments and packages that do not have a return authorization number will be refused.







K090716

www.KALORIK.com



Back cover page (last page)

Assembly page 12/12

Free Manuals Download Website

<http://myh66.com>

<http://usermanuals.us>

<http://www.somanuals.com>

<http://www.4manuals.cc>

<http://www.manual-lib.com>

<http://www.404manual.com>

<http://www.luxmanual.com>

<http://aubethermostatmanual.com>

Golf course search by state

<http://golfingnear.com>

Email search by domain

<http://emailbydomain.com>

Auto manuals search

<http://auto.somanuals.com>

TV manuals search

<http://tv.somanuals.com>