


Wine cellar Bodega



USK WCL 20629
115V~130W

www.KALORIK.com



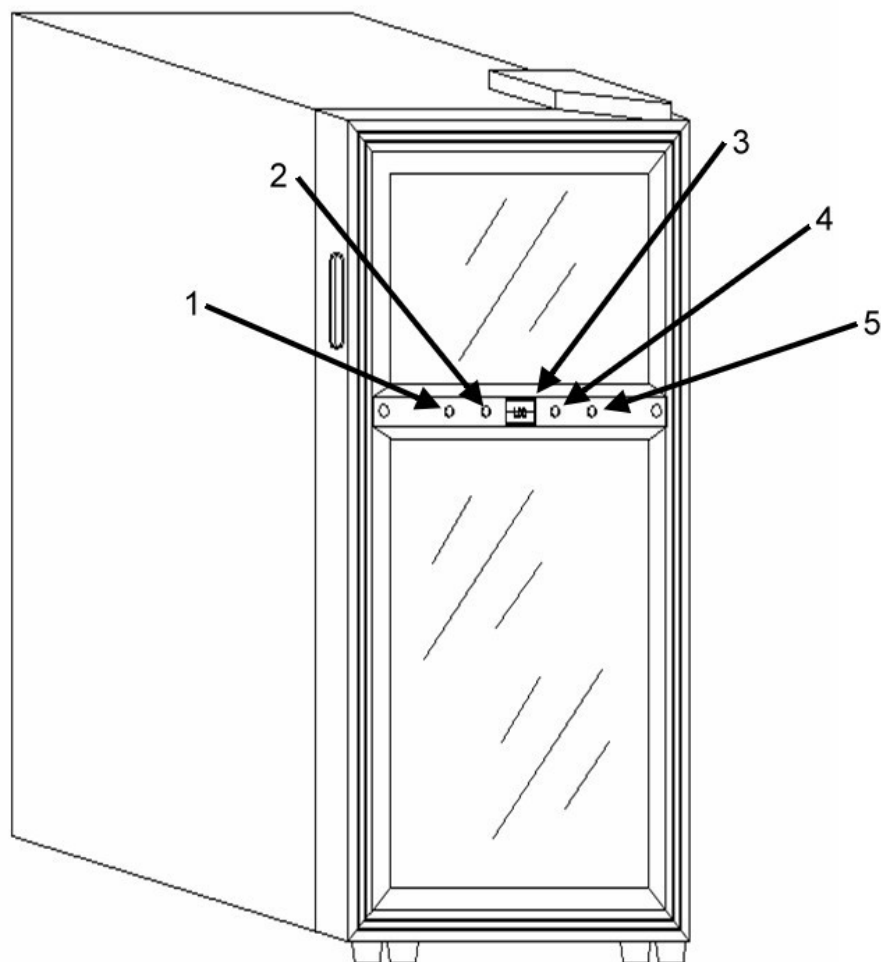
Front cover page (first page)

Assembly page 1/20



Fax +32 2 359 95 50

Copies of the I/B. Please reproduce them without any changes except under special instruction from Team International BELGIUM. The pages must be reproduced and folded in order to obtain a booklet A5 (+/- 148.5 mm width x 210 mm height). When folding, make sure you keep the good numbering when you turn the pages of the I/B. Don't change the page numbering. Keep the language integrity. **Print only what is inside the frame.**



GB

- 1 "Temp -" for upper zone
- 2 "Temp +" for upper zone
- 3 LCD display
- 4 "Temp -" for lower zone
- 5 "Temp +" for lower zone

ES

- 1 "Temp -" de la zona superior
- 2 "Temp +" de la zona superior
- 3 Pantalla LCD
- 4 "Temp -" de la zona inferior
- 5 "Temp +" de la zona inferior



Fax +32 2 359 95 50

Copies of the I/B. Please reproduce them without any changes except under special instruction from Team International BELGIUM. The pages must be reproduced and folded in order to obtain a booklet A5 (+/- 148.5 mm width x 210 mm height). When folding, make sure you keep the good numbering when you turn the pages of the I/B. Don't change the page numbering. Keep the language integrity. **Print only what is inside the frame.**



(EN) OPERATING INSTRUCTIONS

IMPORTANT SAFEGUARDS

When using electrical appliances, basic safety precautions should always be followed, including the following:

- ❑ After removing the wine cooler from the package, make sure it is in good condition. In case of doubt, do not use it and contact an authorized service center.
- ❑ Plastic bags, nails, etc. should be kept out of the reach of children
- ❑ Check that your mains voltage corresponds to that stated on the appliance.
- ❑ Never leave the appliance unsupervised when in use.
- ❑ Never leave the appliance unsupervised when taking beverages out or putting them in the cooler. Keep out of reach of children or incompetent persons.
- ❑ From time to time check the cord for damages. Never use the appliance if cord or appliance shows any signs of damage.
- ❑ Never move the appliance by pulling the cord. Make sure the cord cannot get caught in any way. Do not wind the cord around the appliance and do not bend it. Keep the power cord away from sources of heat.
- ❑ Only use the appliance for domestic purposes and in the way indicated in these instructions.
- ❑ Should the cord be damaged, it must be replaced by a qualified service provider (*).
- ❑ Never use the appliance near hot surfaces or in the sunlight.
- ❑ Never use the appliance outside and always place it in a dry environment.
- ❑ Stand the appliance on a table or flat surface in order to avoid its fall. Ensure that there is at least a 10cm clearance at the sides, an 8cm clearance at the back of the cooler in order to allow adequate ventilation. Kitchen units (cupboards) should be at least 5cm away from the appliance in order to assure adequate ventilation.
- ❑ Do not place any other object on top of the appliance.
- ❑ Do not use extension cords



Fax +32 2 359 95 50

Copies of the I/B. Please reproduce them without any changes except under special instruction from Team International BELGIUM. The pages must be reproduced and folded in order to obtain a booklet A5 (+/- 148.5 mm width x 210 mm height). When folding, make sure you keep the good numbering when you turn the pages of the I/B. Don't change the page numbering. Keep the language integrity. **Print only what is inside the frame.**



- ❑ Never use accessories that are not recommended by the producer. They could constitute a danger to the user and risk to damage the appliance.
- ❑ Plug the appliance immediately into the power outlet; do not use any extension cord or multiple power sockets.
- ❑ This cooler is designed to store wine bottles, however, if placing food inside; ensure that there is sufficient airflow between items.
- ❑ Do not place hot beverages into the appliance but let them cool down to room temperature before.
- ❑ Close the cooler door immediately after putting in any items so the inside temperature will not rise dramatically.
- ❑ When positioned or if moving the appliance, ensure that it is not set horizontally or declined less than 45° or turned upside down.
- ❑ Should you notice any kind of damage on the appliance, please unplug it immediately and contact a competent qualified service.
- ❑ All repairs should be made by a competent qualified service.
- ❑ To reduce the risk of fire, replace only with same type fuse
- ❑ Unplug the appliance before cleaning or when it is not in use.
- ❑ To avoid risk of child entrapment, leave the shelves in place so children cannot easily climb inside even when the appliance is in routine use or not in use at home.
- ❑ Avoid direct sunshine and high temperature.

SAVE THESE INSTRUCTIONS HOUSEHOLD USE ONLY

Save time and money. Before you call for service, check at the back of this manual. It lists causes of minor operating can correct yourself.

Warning: Changes or modifications to this unit not expressly approved by the manufacturer could void the user's authority to operate the equipment



Fax +32 2 359 95 50

Copies of the I/B. Please reproduce them without any changes except under special instruction from Team International BELGIUM. The pages must be reproduced and folded in order to obtain a booklet A5 (+/- 148.5 mm width x 210 mm height). When folding, make sure you keep the good numbering when you turn the pages of the I/B. Don't change the page numbering. Keep the language integrity. **Print only what is inside the frame.**



POLARIZED PLUG INSTRUCTIONS

Some appliances are equipped with a polarized plug (one blade is wider than the other). To reduce the risk of electric shock, this plug will fit into the polarized outlet only one way. If the plug does not properly fit into the outlet at first, reverse it. If it still does not fit, contact a competent qualified electrician.

Do not attempt to modify the plug in any way.

For appliances equipped with a standard plug, simply insert the plug into the outlet without paying attention to the way you plug it.

TECHNICAL DATA

Volume	52 liters / 1.85 cu.ft.
Capacity	18 bottles of 750 ml
Adjustable temperature	45°F to 64°F (7°C – 18°C)
Without CFC	

Placing the appliance

Use the height adjustable foot to place the cellar fully horizontal.

OPERATION

CAUTION: Before connecting the appliance to electrical power supply, leave it to stand for about 4 hours, which will reduce the possibility of malfunctions in the cooling system due to transport handling.

- Before use, clean the appliance thoroughly; especially in the interior (See Cleaning and Maintenance).
- In case the interior accessories are not correctly placed, rearrange them properly.
- Make sure that your mains voltage corresponds to that stated on the appliance.
- Stand the appliance on a stable surface near a power socket.
- Plug in the appliance to an earthed wall outlet.
- The fans start turning and the wine cellar starts cooling. The cooler might need 1 hour ½ to reach the temperature of 15°C/ 60°F and up to 4 hours to reach the temperature set up at the factory.



Fax +32 2 359 95 50

Copies of the I/B. Please reproduce them without any changes except under special instruction from Team International BELGIUM. The pages must be reproduced and folded in order to obtain a booklet A5 (+/- 148.5 mm width x 210 mm height). When folding, make sure you keep the good numbering when you turn the pages of the I/B. Don't change the page numbering. Keep the language integrity. **Print only what is inside the frame.**



NOTE: The inside temperature of the thermoelectric wine cooler depends on the room temperature. To reach the minimum temperatures indicated below, it should be located in a room whose temperature is maximum 75°F / 25°C.

Temperature control and display

The upper zone of the appliance is for storage of white wine with temperature from 45°F to 54°F (7°C to 12°C) The lower zone is for storage of red wine with temperature range from 54°F to 64°F (12°C to 18°C).

The temperature range of the wine cooler is intended for 45°F to 64°F (7°C to 18°C).

Average temperature for red wine is 54°F to 64°F (12°C to 18°C).

Average temperature for white wine is 45°F to 54°F (7°C to 12°C).

The display usually shows the average temperature of the appliance at that moment.

Manual temperature setting

The temperature adjustment button is set on one certain point when the cellar is off the assembling line. When you want to change the temperature in the cabinet, please select the right zone and change accordingly.

The temperature of the wine cooler can be set anywhere between 45°F to 64°F (7°C to 18°C) by the temperature up “△” and temperature down “▽” pads as follows:

- 1) There are four buttons on the panel: on the left, push “Temp □” to increase the temperature or push “Temp □” to decrease the temperature in upper zone. On the right, push “Temp □” to increase the temperature or push “Temp □” to decrease the temperature in lower zone.
- 2) When the power switch is connected, cooling system starts to work. The temperature is set on certain position, which means that if the inner temperature reaches the set point, Self-control Temperature System would stop cooling system so that the temperature in the cabinet rises gradually.
- 3) When the inside temperature rises above the set point, cooling



Fax +32 2 359 95 50

Copies of the I/B. Please reproduce them without any changes except under special instruction from Team International BELGIUM. The pages must be reproduced and folded in order to obtain a booklet A5 (+/- 148.5 mm width x 210 mm height). When folding, make sure you keep the good numbering when you turn the pages of the I/B. Don't change the page numbering. Keep the language integrity. **Print only what is inside the frame.**



Self-control Temperature starts to work again, the cellar enters into cooling cycles.

You can turn the interior light ON or OFF by pressing the light switch inside upper compartment

TROUBLESHOOTING

Symptoms	Possible cause	Solutions
No cooling	<ul style="list-style-type: none"> - Plug not put in - Low voltage - Fuse broken 	<ul style="list-style-type: none"> - Put in the plug - Ensure normal voltage - Change fuse
Temperature inside not cold enough	<ul style="list-style-type: none"> - The refrigerator is placed too close to a heat source; - Bad ventilation; - Fans don't work; - The door is not closed tightly or opened too frequently or for too long time; 	<ul style="list-style-type: none"> - Keep the refrigerator away from sunshine or other heat source; - Place the refrigerator in the area with good ventilation and keep things away from the fans; - Check whether the plug is connected or change the fan; - Close the door tightly and don't open the door too frequently or for too long time.
Peculiar smell inside refrigerator	<ul style="list-style-type: none"> - Check whether there is anything sour inside 	<ul style="list-style-type: none"> - Wrap the source or take it out
Inside light flashes	<ul style="list-style-type: none"> - Set temperature higher than inner temperature; 	<ul style="list-style-type: none"> - Adjust the adjustor
Frost inside the appliance	<ul style="list-style-type: none"> - Too much humidity or too low temperature inside the case 	<ul style="list-style-type: none"> - Output the plug, stop the power, and defrost by hand, connect power again when the ice thaws



Fax +32 2 359 95 50

Copies of the I/B. Please reproduce them without any changes except under special instruction from Team International BELGIUM. The pages must be reproduced and folded in order to obtain a booklet A5 (+/- 148.5 mm width x 210 mm height). When folding, make sure you keep the good numbering when you turn the pages of the I/B. Don't change the page numbering. Keep the language integrity. **Print only what is inside the frame.**



CLEANING

- Unplug the appliance before cleaning it.
- Clean the exterior of the appliance with water and detergent.
- Clean the interior of the appliance with lukewarm water and a bit of vinegar.
- Remove the detachable accessories in the interior of the appliance and clean with water and liquid detergent. Do not put any part in the dishwasher.
- Never use metal utensils or abrasive products to clean the appliance.
- Never immerse the appliance in water or any other liquid.



Fax +32 2 359 95 50

Copies of the I/B. Please reproduce them without any changes except under special instruction from Team International BELGIUM. The pages must be reproduced and folded in order to obtain a booklet A5 (+/- 148.5 mm width x 210 mm height). When folding, make sure you keep the good numbering when you turn the pages of the I/B. Don't change the page numbering. Keep the language integrity. **Print only what is inside the frame.**



WARRANTY

We suggest that you complete and return the enclosed Product Registration Card promptly to facilitate verification of the date of original purchase. However, return of the Product Registration Card is not a condition of these warranties. You can also fill this warranty card online, at the following address: www.KALORIK.com

This KALORIK product is warranted in the U.S.A. for 1 year from the date of purchase against defects in material and workmanship. This warranty is not transferable. Keep the original sales receipt. Proof of purchase is required to obtain warranty performance.

During this period, the KALORIK product that, upon inspection by KALORIK, is proved defective, will be repaired or replaced, at Kalorik's option, without charge to the customer. If a replacement product is sent, it will carry the remaining warranty of the original product.

This warranty does not apply to any defect arising from a buyer's or user's misuse of the product, negligence, failure to follow KALORIK instructions noted in the user's manual, use on current or voltage other than that stamped on the product, wear and tear, alteration or repair not authorized by KALORIK, or use for commercial purposes. There is no warranty for glass parts, glass containers, filter basket, blades and agitators, and accessories in general. There is also no warranty for parts lost by the user.

ANY WARRANTY OF MERCHANTABILITY OR FITNESS WITH RESPECT TO THIS PRODUCT IS ALSO LIMITED TO THE ONE YEAR LIMITED WARRANTY PERIOD.

Some states do not allow limitation on how long an implied warranty lasts or do not allow the exclusion of incidental or consequential damages, so the above limitations may not apply to you. This warranty gives you specific legal rights, and you may also have other rights which vary from state to state.



Fax +32 2 359 95 50

Copies of the I/B. Please reproduce them without any changes except under special instruction from Team International BELGIUM. The pages must be reproduced and folded in order to obtain a booklet A5 (+/- 148.5 mm width x 210 mm height). When folding, make sure you keep the good numbering when you turn the pages of the I/B. Don't change the page numbering. Keep the language integrity. **Print only what is inside the frame.**



If the appliance should become defective within the warranty period and more than 30 days after date of purchase, do not return the appliance to the store: often, our Consumer Service Representatives can help solve the problem without having the product serviced. If servicing is needed, a Representative can confirm whether the product is under warranty and direct you to the nearest service location.

If this is the case, bring the product, or send it, postage prepaid by the user (all Kalorik customers are responsible for the initial shipment back to the warranty center), along **with proof of purchase** and indicating a **return authorization number** given by our Consumer Service Representatives, to the authorized KALORIK Service Center (please visit our website at www.KALORIK.com or call our Customer Service Department for the address of our authorized KALORIK Service Center).

If you send the product, please include a letter explaining the nature of the claimed defect.

If you have additional questions, please call our Consumer Service Department (please see below for complete contact information), Monday through Friday from 9:00am - 6:00pm (EST). Please note hours are subject to change.

If you would like to write, please send your letter to:

KALORIK Consumer Service Department

Team International Group of America Inc.
1400 N.W 159th Street, Suite 102
Miami Gardens, FL 33169 USA

Or call:

Toll Free: +1 888-521-TEAM / +1 888-KALORIK

Only letters can be accepted at this address above. Shipments and packages that do not have a return authorization number will be refused.



(SP) MANUAL DE INSTRUCCIONES

CONSEJOS DE SEGURIDAD

Cuando use algún aparato eléctrico siempre deben seguirse precauciones básicas de seguridad incluyendo las siguientes:

- ❑ Después de haber sacado la bodega de su embalaje, asegúrese que está en buen estado. En caso de duda, no lo utilice y contacte a un servicio cualificado competente.
- ❑ Bolsas de plástico, clavos, etc. deben mantenerse fuera del alcance de los niños.
- ❑ Antes de utilizar el aparato, compruebe que el voltaje de la red eléctrica coincide con el del aparato.
- ❑ No deje nunca su aparato sin vigilancia cuando esté en marcha.
- ❑ No deje el aparato sin vigilancia cuando saca bebidas o cuando las pone en la bodega. Mantener fuera del alcance de los niños o de personas incompetentes.
- ❑ Compruebe de vez en cuando que el aparato no esté dañado y no utilice su aparato si el cable o el aparato están dañados por el motivo que sea.
- ❑ No mueva nunca el aparato estirando del cable. Procure que el cable no se enganche en algún saliente, a fin de evitar posibles caídas del mismo. Evite enrollar el cable alrededor del aparato y no lo tuerza. No utilice el aparato cerca de fuentes de calor.
- ❑ Utilice el aparato sólo para usos domésticos y de la manera indicada en el modo de empleo.
- ❑ Si el cable está dañado, debe ser reemplazado por un servicio cualificado competente(*)
- ❑ Nunca utilice su aparato cerca de fuentes de calor o a la luz del sol.
- ❑ Nunca utilice su aparato en el exterior y siempre colóquelo en un medio seco.
- ❑ Coloque el aparato en una mesa o una superficie estable para evitar su caída. Asegúrese que haya al menos 10 centímetros libres en los lados y al menos 8 centímetros en la parte trasera del aparato para una ventilación adecuada. Los armarios deben estar al menos a cinco centímetros del aparato para una ventilación adecuada



Fax +32 2 359 95 50

Copies of the I/B. Please reproduce them without any changes except under special instruction from Team International BELGIUM. The pages must be reproduced and folded in order to obtain a booklet A5 (+/- 148.5 mm width x 210 mm height). When folding, make sure you keep the good numbering when you turn the pages of the I/B. Don't change the page numbering. Keep the language integrity. **Print only what is inside the frame.**



- ❑ No coloque ningún objeto en la parte superior del aparato.
- ❑ No utilice alargadores.
- ❑ No utilice accesorios no recomendados por el fabricante, eso puede ser peligroso y puede dañar el aparato.
- ❑ Conecte el aparato directamente en el enchufe, no utilice ningún alargador o enchufes múltiples.
- ❑ Ese aparato permite almacenar botellas de vino, sin embargo, si pone comida dentro, asegúrese de que haya aire suficiente entre ellas.
- ❑ No coloque bebidas calientes en la bodega, sino que déjelas resfriar previamente a la temperatura ambiente.
- ❑ Cierre la puerta de la bodega inmediatamente después de colocar lo que sea dentro, de manera que la temperatura no suba demasiado.
- ❑ Una vez colocado o si se mueve el aparato, asegúrese que no sea puesto horizontalmente o en un ángulo de menos de 45° o al revés.
- ❑ Si se nota cualquier defecto en el aparato, desenchúfelo inmediatamente y contacte un servicio cualificado competente.
- ❑ Todas las reparaciones deben ser efectuadas por un servicio cualificado competente.
- ❑ Para reducir el riesgo de fuego, siempre utilice el mismo tipo de fusible.
- ❑ Desenchufe el aparato antes de limpiarlo o cuando no se utiliza.
- ❑ Para evitar que se encierre un niño, deje la parrilla tal cómo están para que los niños no puedan ir dentro, incluso cuando el aparato se utiliza regularmente o cuando no se utiliza en casa.
- ❑ Evite que el aparato esté expuesto directamente a la luz del sol y a las temperaturas elevadas.

GUARDE ESTAS INSTRUCCIONES SOLAMENTE PARA USO DOMESTICO



Ahorre tiempo y dinero. Antes de llamar al servicio post venta, consulte el guía de reparaciones al final de ese manual. Describe las causas de los problemas de funcionamiento que podría encontrar y que puede resolver usted.

Aviso: los cambios o modificaciones hechas al aparato y que no fueron expresamente aprobadas por el fabricante pueden impedir que el aparato funcionara correctamente, a pesar de las disposiciones tomadas por el utilizador para hacer funcionar el aparato.

INFORMACIÓN SOBRE EL ENCHUFE POLARIZADO

Algunos aparatos están provistos con un enchufe polarizado (una pata es más ancha que la otra). Para reducir el riesgo de choque eléctrico, este enchufe calza en el tomacorriente polarizado de una sola manera. Si el enchufe no cabe totalmente en el tomacorriente, gire el enchufe. Si aún así no calza, consulte a un servicio técnico cualificado. **No intente anular esta característica de seguridad.** Para los aparatos provistos con un enchufe clásico, basta con insertar el enchufe en la toma de corriente.

DATOS TECNICOS

Volumen	52 litros
Capacidad	18 botellas de 750 ml.
Temperatura ajustable	45°F a 64°F (7°C – 18°C)
Sin CFC	

Colocar el aparato

Utilice el marco de hierro ajustable para poner el aparato totalmente horizontal.



Fax +32 2 359 95 50

Copies of the I/B. Please reproduce them without any changes except under special instruction from Team International BELGIUM. The pages must be reproduced and folded in order to obtain a booklet A5 (+/- 148.5 mm width x 210 mm height). When folding, make sure you keep the good numbering when you turn the pages of the I/B. Don't change the page numbering. Keep the language integrity. **Print only what is inside the frame.**



UTILIZACION

CUIDADO: Antes de conectar el aparato a la red eléctrica, déjelo tal cual durante cuatro horas para reducir el riesgo de malo funcionamiento del sistema de refrigeración causado por el transporte.

- Antes del uso, limpie el aparato cuidadosamente, especialmente el interior (véase Limpieza y Mantenimiento).
- Si no estén bien colocados los accesorios dentro del aparato, póngales correctamente de nuevo.
- Compruebe que el voltaje de la red eléctrica coincide con el del aparato.
- Deje el aparato en una superficie estable y cerca de una toma de corriente.
- Conecte el aparato en una toma de corriente a la tierra.
- Los ventiladores comienzan a funcionar y la bodega empieza a enfriar. El enfriador puede necesitar una hora y media para llegar a la temperatura de 15 °C / 60 °F y hasta 4 horas para llegar a la temperatura fijada en la fábrica.

NOTA: La temperatura dentro de la bodega termoeléctrica depende de la temperatura ambiente. Para alcanzar las temperaturas mínimas indicadas a continuación, el aparato debe estar situado en una habitación cuya temperatura máxima es. 75 ° F / 25 ° C.

Control de la temperatura y pantalla

La zona superior del aparato se utiliza para poner vino blanco, con temperaturas de 45°F a 54°F (7°C a 12°C). La parte inferior se utiliza para poner vino tinto, con temperaturas de 54°F a 64°F (12°C a 18°C).

La temperatura de la bodega va de 45°F a 64°F (7°C a 18°C).

La temperatura media por el vino tinto es entre 54°F y 64°F (12°C y 18°C).

La temperatura media por el vino blanco es entre 45°F y 54°F (7°C y 12°C).

La pantalla muestra la temperatura media del aparato en un momento preciso.



Fax +32 2 359 95 50

Copies of the I/B. Please reproduce them without any changes except under special instruction from Team International BELGIUM. The pages must be reproduced and folded in order to obtain a booklet A5 (+/- 148.5 mm width x 210 mm height). When folding, make sure you keep the good numbering when you turn the pages of the I/B. Don't change the page numbering. Keep the language integrity. **Print only what is inside the frame.**



Elección manual de la temperatura

El botón "temp-adj" está pre-ajustado al salir de la fábrica. Si quiere cambiar la temperatura, elija la zona del aparato y haga los cambios necesarios.

La temperatura de la bodega puede programarse entre 45°F a 64°F (7°C y 18°C) pulsando los botones temperatura arriba "△" y temperatura abajo "▽" .

- 1) Hay cuatro botones en el panel de mandos. En la izquierda, presione « Temp △ » para aumentar la temperatura o presione « Temp ▽ » para disminuir la temperatura en la zona superior. En la derecha, presione « Temp △ » para aumentar la temperatura o presione « Temp ▽ » para disminuir la temperatura en la zona inferior.
- 2) Al conectar el aparato en la red, el sistema de resfrío se pone en marcha. La temperatura está pre-ajustada de alguna manera, lo que significa que si la temperatura alcanza cierto punto, un sistema automático de control de la temperatura va a parar el sistema de resfrío y la temperatura dentro del aparato va a aumentar progresivamente.
- 3) Cuando la temperatura dentro del aparato sobrepasa la temperatura pre-ajustada, el sistema de control automática de la temperatura va a ponerse otra vez en marcha, lo que significa que el aparato empieza a resfriar otra vez.

Puede encender o apagar la luz interna presionando el interruptor dentro de la zona superior del aparato.



PROBLEMAS Y SOLUCIONES

Problema	Causa	Solución posible
El refrigerador no resfría	<ul style="list-style-type: none"> - Hay un problema de electricidad. - Voltaje demasiado bajo - El fusible saltó 	<ul style="list-style-type: none"> - Compruebe que el enchufe esté bien insertada en la toma de corriente. - Utilice una toma de corriente con un buen voltaje - Compruebe el fusible de esa toma de corriente.
La temperatura dentro del aparato no es bastante fría.	<ul style="list-style-type: none"> - El aparato está colocado demasiado cerca de una fuente de calor. - La ventilación no es suficiente. - La ventilación no funciona - La puerta del refrigerador ha sido abierta demasiado frecuentemente o ha sido dejado abierta durante demasiado tiempo. 	<ul style="list-style-type: none"> - Ponga el refrigerador lejos del sol o de otras fuentes de calor. - Asegúrese que la ventilación del refrigerador funcione bien y no bloquee el ventilador. - Compruebe que el aparato esté bien enchufado o cambie el ventilador. - Cierre la puerta correctamente y no la abra demasiado frecuentemente, ni durante demasiado tiempo.
El interior del aparato huele mal.	<ul style="list-style-type: none"> - Compruebe que no haya nada podrido dentro del aparato. 	<ul style="list-style-type: none"> - Remueva la causa del mal olor.
La luz interna parpadea	<ul style="list-style-type: none"> - La temperatura preajustada es más alta que la temperatura interna 	<ul style="list-style-type: none"> - Ajuste la temperatura del aparato.
Hay escarcha en la pared trasera interna del aparato.	<ul style="list-style-type: none"> - Demasiada humedad o temperatura demasiado baja dentro del aparato. 	<ul style="list-style-type: none"> - Pare el aparato y desenchúfelo. Saque la escarcha manualmente y vuelva a enchufar el aparato en cuanto la escarcha desaparezca.



Fax +32 2 359 95 50

Copies of the I/B. Please reproduce them without any changes except under special instruction from Team International BELGIUM. The pages must be reproduced and folded in order to obtain a booklet A5 (+/- 148.5 mm width x 210 mm height). When folding, make sure you keep the good numbering when you turn the pages of the I/B. Don't change the page numbering. Keep the language integrity. **Print only what is inside the frame.**



LIMPIEZA

- Desenchufe el aparato antes de limpiarlo.
- Limpie el exterior del aparato con agua y detergente.
- Limpie el interior del aparato con agua tibia y un poco de vinagre.
- Quite los accesorios amovibles del interior del aparato y límpielos con agua y un detergente líquido. No ponga ninguna parte en el lavavajillas.
- No utilice nunca objetos metálicos o productos abrasivos para limpiar el aparato.
- No sumerja nunca el aparato en agua o en cualquier otro líquido.



Fax +32 2 359 95 50

Copies of the I/B. Please reproduce them without any changes except under special instruction from Team International BELGIUM. The pages must be reproduced and folded in order to obtain a booklet A5 (+/- 148.5 mm width x 210 mm height). When folding, make sure you keep the good numbering when you turn the pages of the I/B. Don't change the page numbering. Keep the language integrity. **Print only what is inside the frame.**



GARANTÍA

Le sugerimos rellenar y nos envíen rápidamente la Tarjeta de Registro de Producto adjunta para facilitar la verificación de la fecha de compra. Por lo tanto, la devolución de esa Tarjeta de Registro de Producto no es una condición imprescindible para la aplicación de esa garantía. Puede también rellenar dicha tarjeta de garantía en línea en la dirección siguiente: www.KALORIK.com

A partir de la fecha de compra, este producto KALORIK está garantizado un año contra los defectos materiales y de fabricación, en los Estados Unidos. Esta garantía no es transferible. Conserve la prueba de compra original. Se exige una prueba de compra para obtener la aplicación de la garantía.

Durante este período, si el producto KALORIK después de una inspección por parte de KALORIK, se manifiesta defectuoso, será reparado o reemplazado, según lo que decida KALORIK, sin gastos para el consumidor. Si se envía un producto de reemplazo, se aplicará la garantía que queda del producto original.

Esta garantía no se aplica a los defectos causados por una mala utilización por parte del comprador o del usuario, o una negligencia al no respeto del manual de instrucciones KALORIK, o una utilización en un circuito eléctrico cuyo voltaje es diferente al que figura en el producto, o un desgaste normal, o modificaciones o reparaciones no autorizadas por KALORIK, o por un uso con fines comerciales. No existe garantía por las partes de cristal, jarras de cristal, filtros, cestos, cuchillas y accesorios en general. No existe tampoco garantía por las piezas perdidas por el usuario.

Toda garantía de valor comercial o de adaptabilidad a este producto está limitada a un año también.

Algunos estados no ponen límites a la duración de la garantía tácita o no autorizan la exclusión de daños y perjuicios accesorios o indirectos, por lo que puede que las restricciones anteriormente mencionadas no le sean aplicables a Usted. Esta garantía le otorga derechos legales particulares, pero usted puede tener también otros



Copies of the I/B. Please reproduce them without any changes except under special instruction from Team International BELGIUM. The pages must be reproduced and folded in order to obtain a booklet A5 (+/- 148.5 mm width x 210 mm height). When folding, make sure you keep the good numbering when you turn the pages of the I/B. Don't change the page numbering. Keep the language integrity. **Print only what is inside the frame.**



derechos que varían de un estado a otro y algunos derechos pueden variar de un estado a otro.

Si el aparato tuviera un defecto durante el periodo de garantía y / o más de 30 días después de que se compró, no devuelva el aparato en la tienda donde le compró: a menudo, nuestro Servicio al Consumidor puede ayudar a resolver el problema sin que el producto tenga que ser reparado. Si hace falta una reparación, uno de nuestros representantes puede confirmar si el producto está bajo garantía y dirigirle al servicio post-venta más próximo.

Si fuera el caso, traiga el producto (o envíelo, correctamente franqueado) con la **prueba de compra** que mencione **el número de autorización de devolución** indicado por nuestro Servicio al Consumidor, al servicio post-venta KALORIK más próximo. (Visite nuestra web www.KALORIK.com o llame al Servicio al Consumidor para obtener la dirección del Servicio post-venta KALORIK exclusivo más próximo).

Si envía el producto, le rogamos añadan una carta explicando la naturaleza del defecto.

Si tiene preguntas adicionales, por favor llame al Servicio al Consumidor (véase abajo para los datos completos), de lunes a viernes, de las 9 a las 18 (EST). Note que las horas pueden ser modificadas.

Si quiere escribirnos, puede hacerlo a la dirección siguiente:

KALORIK Servicio al Consumidor

Team International Group of America Inc.
1400 N.W 159th Street, Suite 102
Miami Gardens, FL 33169 USA

O llame gratuitamente (U.S.A.) al +1 888-521-TEAM / +1 888-KALORIK

Las cartas se aceptan solamente en la dirección anteriormente mencionada. Los envíos y paquetes que no tengan número de autorización de devolución serán rechazados.



Fax +32 2 359 95 50

Copies of the I/B. Please reproduce them without any changes except under special instruction from Team International BELGIUM. The pages must be reproduced and folded in order to obtain a booklet A5 (+/- 148.5 mm width x 210 mm height). When folding, make sure you keep the good numbering when you turn the pages of the I/B. Don't change the page numbering. Keep the language integrity. **Print only what is inside the frame.**



I/B Version
110818

www.KALORIK.com



Back cover page (last page)

Assembly page 20/20

Free Manuals Download Website

<http://myh66.com>

<http://usermanuals.us>

<http://www.somanuals.com>

<http://www.4manuals.cc>

<http://www.manual-lib.com>

<http://www.404manual.com>

<http://www.luxmanual.com>

<http://aubethermostatmanual.com>

Golf course search by state

<http://golfingnear.com>

Email search by domain

<http://emailbydomain.com>

Auto manuals search

<http://auto.somanuals.com>

TV manuals search

<http://tv.somanuals.com>