

**Kambrook - Australia**

Building 2, Port Air Industrial Estate  
1A Hale Street  
Botany NSW 2019  
Australia  
Customer Service Line 1300 139 798  
Customer Service Fax 1800 621 337

[www.kambrook.com.au](http://www.kambrook.com.au)

**Kambrook - New Zealand**

Private Bag 94411  
Botany, Manukau  
Auckland 2163  
New Zealand  
Customer Service Line/  
Spare Parts 0800 273 845  
Customer Service Fax 0800 288 513

[www.kambrook.co.nz](http://www.kambrook.co.nz)

**KAMBROOK**  
THE SMARTER CHOICE

Due to continual improvement in design or otherwise, the product you purchase may differ slightly from the illustration in this book. Issue A13

# KAMBROOK

THE SMARTER CHOICE



**Arctic**  
**Tower Fan**

KFA715

**Instruction Booklet**

# Important

Please retain your instruction book for future use.

In the event that you need some assistance with your Kambrook appliance, please contact our Customer Service Department on 1300 139 798 (Australia) or 0800 273 845 (New Zealand). Alternatively, visit us on our website at [www.kambrook.com.au](http://www.kambrook.com.au) or [www.kambrook.co.nz](http://www.kambrook.co.nz)

# Contents

|                                     |     |
|-------------------------------------|-----|
| Kambrook Recommends<br>Safety First | p4  |
| Your Kambrook Arctic<br>Tower Fan   | p6  |
| Using Your Kambrook<br>Tower Fan    | p7  |
| Care, Cleaning and Storage          | p10 |

# IMPORTANT: Please retain your instruction book for future use.

At Kambrook, we believe that safe performance is the first priority in any consumer product, so that you, our valued customer can confidently use and trust our products. We ask that any electrical appliance that you use be operated in a sensible fashion with due care and attention placed on the following important operating instructions.

## Important Safeguards For Your Kambrook Arctic Tower Fan

- Carefully read all instructions before operating the tower fan for the first time and save for future reference.
- Remove and safely discard any packaging material and promotional labels before using the tower fan for the first time.
- To eliminate a choking hazard for young children remove and safely discard the protective cover fitted to the power plug of this tower fan.
- This tower fan is intended for household use only and not for commercial or industrial use.
- Switch off the tower fan and unplug at the power outlet, prior to assembling, cleaning and storing the tower fan.
- Avoid touching mobile parts of the tower fan.
- Do not place the tower fan on a bench or table. Ensure that the surface is level, clean and free of water and other substances.
- Always ensure the tower fan is properly assembled before use. Follow the instructions provided in this book.
- Do not leave the tower fan unattended when in use.
- Do not place anything, on top of the tower fan when assembled, when in use and when stored.
- Never insert fingers, pencils or any other objects through the guards whenever the power plug is connected, in particular while the tower fan is switched on.
- The tower fan must not be used if the base is not fastened correctly, according to the instructions.
- Do not operate in the presence of explosives and/or flammable fumes or liquids.
- Do not unplug the tower fan by pulling on the cord.
- Never carry the tower fan by the cord or yank to disconnect from an outlet; instead, grasp the plug and pull to disconnect.
- Do not pull the cord around sharp edges or corners.
- When unpacking the tower fan, check to see you have received all the items listed in the parts list, before discarding the packaging.
- Keep the tower fan clean. Follow the cleaning instructions provided in this book.
- Do not operate without the base stand fitted.

## Important Safeguards For All Electrical Appliances

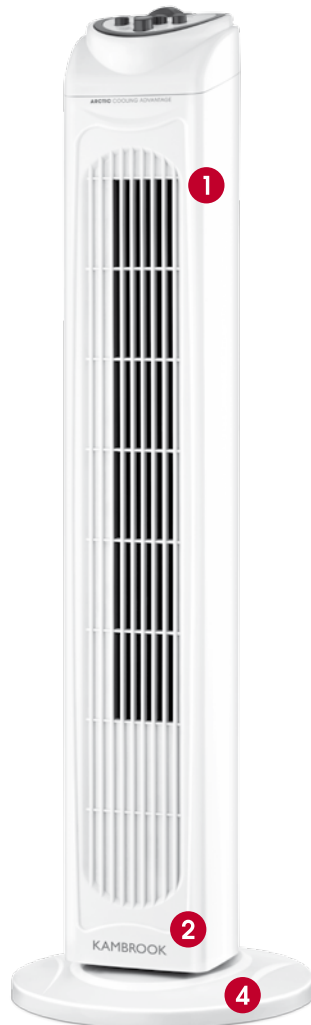
- Fully unwind the power cord before use.
- Connect only to a 230V or 240V power outlet.
- Do not let the power cord hang over the edge of a bench or table, touch hot surfaces or become knotted.
- To protect against electric shock, do not immerse the power cord, power plug or appliance in water or any other liquid or allow moisture to come in contact with the part, unless it is recommended in the cleaning instructions.
- The appliance is not intended for use by persons (including children) with reduced physical, sensory or mental capabilities, or lack of experience and knowledge, unless they have been given supervision or instruction concerning use of the appliance by a person responsible for their safety.
- Children should be supervised to ensure that they do not play with the appliance.
- It is recommended to regularly inspect the appliance. To avoid a hazard, do not use the appliance if power cord, power plug or appliance becomes damaged in any way. Return the entire appliance to the nearest authorised Kambrook service centre for examination and/or repair.
- Any maintenance other than cleaning should be performed at an authorised Kambrook Service Centre.
- This appliance is for household use only. Do not use this appliance for anything other than its intended use. Do not use in moving vehicles or boats. Do not use outdoors. **Misuse may cause injury.**
- The installation of a residual current device (safety switch) is recommended to provide additional safety protection when using electrical appliances. It is advisable that a safety switch with a rated residual operating current not exceeding 30mA be installed in the electrical circuit supplying the appliance. See your electrician for professional advice.
- Always turn the appliance to the OFF position, switch off at the power outlet and unplug at the power outlet when the appliance is not in use.
- Before cleaning, always turn the appliance to the OFF position, switch off at the power outlet, unplug at the power outlet and remove the power cord, if detachable, from the appliance and allow all parts to cool.
- Do not place this appliance on or near a heat source, such as hot plate, oven or heaters.
- Position the appliance at a minimum distance of 20cm away from walls, curtains and other heat or steam sensitive materials and provide adequate space above and on all sides for air circulation.

# Your Kambrook Arctic Tower Fan

1. 78cm tower fan
2. Oscillating body to circulate air throughout the room
3. Control panel featuring;
  - Power OFF button
  - Fan speed settings; LOW, MEDIUM and HIGH
  - Two hour auto-off control TIMER
  - SWING button to turn oscillation on and off
4. Base stand (two fitted pieces)

## Not Shown

- Connection ring to secure fan to base stand
- Convenient carry handle for easy portability



# Using Your Kambrook Tower Fan

## Before First Use

Remove your tower fan from its carton and associated protective wrapping.

Ensure that all parts listed are accounted for before discarding the packaging.

Unwind the cord to its full length and remove any promotional labels and or packaging materials from the tower fan.

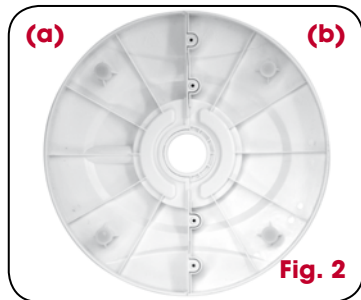
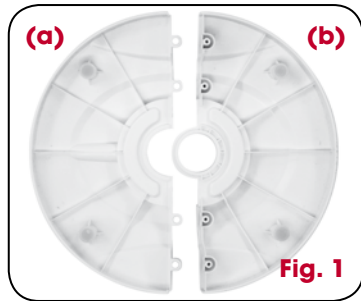
Place the tower fan on a firm, level surface in a stable position. Visually inspect the air inlet and outlets to ensure no foreign materials are blocking these areas.

## Assembling Your Arctic Tower Fan

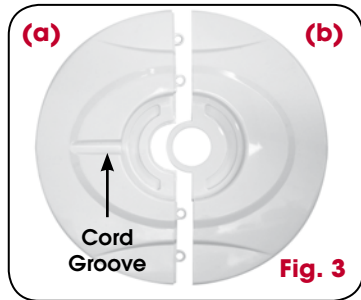
To assemble the base stand:

1. The tower fan base stand comes in two separate pieces; piece (a) and piece (b) - that must be fixed together before being fitted to the fan body (see Fig. 1).
2. To assemble the base stand, first carefully place the tower fan body on its side and unscrew the plastic connection ring screwed onto the stem on the base of the fan. Holding base stand piece (a), align the four locating posts on piece (b) with the corresponding slots found in base stand piece (a) and firmly push downwards until the base stand is securely fixed together (see Fig. 2).

Bottom View



Top view



3. Align the base stand with the tower fan body being sure that the power cord is situated to sit on top of the groove found in base stand piece (a) (see Fig. 3).



## Using Your Kambrook Tower Fan continued

Fit the base stand on to the stem located on the base of the tower fan and using the plastic connection ring supplied, screw the base stand to the tower fan body. Fasten until tightened (see Fig. 4).



**Fig. 4**

**NOTE:** Ensure power cord is sitting above tower fan base.

4. Return the tower fan to its upright position. It is now ready for use.



**WARNING:** Do not operate the tower fan without the base stand fitted.

### Operating Your Tower Fan

To operate the tower fan, plug the power cord into a 230V or 240V electrical outlet and switch on. Be sure that the plug fits tightly as a loose fit will cause overheating and damage the plug.

**NOTE:** To avoid an electrical circuit overload, it is recommended that no other appliances are plugged into the same circuit as your fan, when it is in use.

The tower fan operates in two ways.

1) It will operate when the TIMER dial is set to ON or 2) by using the 2 hour auto-off timer. For both, a fan speed setting **MUST** be chosen.

### Fan Speed Settings

The tower fan has 3 speed settings, LOW, MEDIUM and HIGH. Press the desired fan speed button on the control panel. Fan speed can be adjusted during operation by simply switching to another setting.

### To Turn The Tower Fan On

To turn the tower fan ON, set the timer dial to the ON setting then choose a fan speed.

To turn the tower fan OFF temporarily, press the Off button located on the control panel. To turn the tower fan OFF completely, press the Off button and move the timer dial to the OFF position, switch off at the power outlet and unplug the tower fan from the outlet.

### Setting the Auto-Off Timer

Alternatively, the 2 hour auto-off timer located on the control panel can also be utilised to turn the tower fan ON and OFF.

First select the desired fan speed setting; LOW, MEDIUM or HIGH. Then turn the timer dial clockwise to the desired position up to 120 minutes (2 hours) to activate the timer and turn the fan ON.

The two hour timer will count down and turn the tower fan OFF after the selected preset time has elapsed. Once OFF, switch the tower fan Off at the power outlet and unplug from the outlet.



**NOTE:** The tower fan will only operate with the timer dial set to ON or by using the 2 hour TIMER.

## Setting the Oscillation

The oscillation function works in all fan speed setting modes.

With the tower fan turned on, pressing the 'SWING' button will allow the tower fan to oscillate back and forth. To stop the unit oscillating, press the 'SWING' button once more.

## Care, Cleaning and Storage

1. Ensure that the tower fan is switched OFF and disconnected from the power outlet before cleaning.
2. Use a clean, dry cloth to clean the external surfaces of the tower fan. If the tower fan has collected dirt inside the unit, have the unit cleaned by a qualified service agent. Do not operate the tower fan in this condition.
3. Do not attempt to open the case of the tower fan at any time as there are no customer serviceable parts inside.
4. When not in use, remove the base stand and screw connection ring to the stem on the base. Store the tower fan (preferably in its original box) in a cool, clean and dry location.

# Notes

---

---

---

---

---

---

---

---

---

---

---

---

---

---

---

---

---

---

---

---

---

---

---

---

---

---

---

---

## Free Manuals Download Website

<http://myh66.com>

<http://usermanuals.us>

<http://www.somanuals.com>

<http://www.4manuals.cc>

<http://www.manual-lib.com>

<http://www.404manual.com>

<http://www.luxmanual.com>

<http://aubethermostatmanual.com>

Golf course search by state

<http://golfingnear.com>

Email search by domain

<http://emailbydomain.com>

Auto manuals search

<http://auto.somanuals.com>

TV manuals search

<http://tv.somanuals.com>