

User Manual

NOBLEX PRO 150/175





NOBLEX PRO 6/150 UX with on-plugged PANOLUX 135 and slow exposure module

NOBLEX 135 U with on-plugged PANOLUX 135



Introduction

Congratulations on your purchase of a new NOBLEX camera. With the patented and unique operation principle of NOBLEX cameras you enter in a new world of dramatic and expanded photographic applications. As NOBLEX cameras vastly differ from traditional camera systems, we recommend reading the operating instructions carefully before using the camera the first time.

Please note:

These operating instructions are general instructions for all NOBLEX cameras for roll film. Should you own a model not having all features, you can omit certain chapters.

Please refer to the table on page 13 for information on technical features of your camera.

Special Features of NOBLEX

1. NOBLEX cameras use the principle of the lens rotating 360° for each exposure.
2. The film, resting on a curved film plane, is exposed through the constantly moving shutter slit.
3. During the first half of the rotation the lens drum is accelerated to a constant speed insuring absolutely even exposure of the film during the second half of the rotation.
4. This results in distortion free photographs with an angle of view of 146° when using a NOBLEX PRO 6/150 and 138° when taking pictures with a NOBLEX PRO 175. What makes these pictures stand out are their remarkably even edge to edge illumination and unsurpassed sharpness.
5. The photographs correspond to the natural space perception of the human eye.

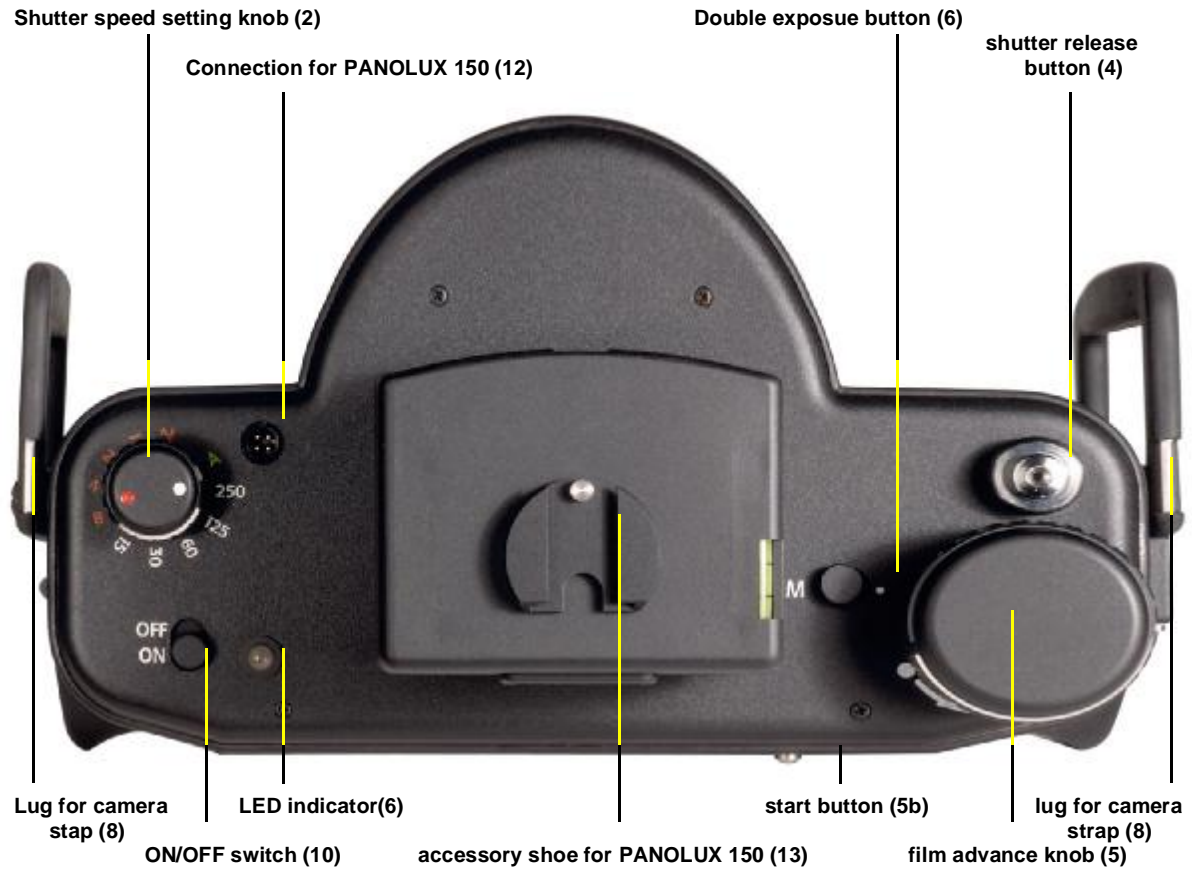
Important Notes

1. The camera is not waterproof and therefore not suited for use in wet environments, when raining or in snow. A camera dropped into the water by accident, should immediately send to the NOBLEX Service Centre. Protect your camera from seawater haze and from high humidity. To properly clean your camera, use a dry cloth or a soft brush after taking pictures.
2. In the event service is required, never try to repair your camera yourself, contact the closest NOBLEX Service Station.
3. Remove the batteries if you will not use the camera for more than two weeks.
4. When not using the camera store it in the case and keep the camera in a cool, dry and dust-free location. Do not expose the camera to direct sunlight if it is not necessary and avoid strong heat influence (e.g. in trunk or glove compartments of cars).
5. Check all camera functions carefully after long storage.
6. Batteries can leak or explode and have the potential to cause personal harm. Do not open battery, expose to fire or high temperature, recharge, put in backwards, or mix with any other battery type. Dispose of them properly and always avoid misuse.
7. As with any electronic item, pay attention to condensation when moving from a cold area to a warmer, as high humidity and dampness may occur.
8. If colour film remains too long in the camera, you may experience a colour shift. Always use fresh film.
9. Avoid taking photographs in the direction of a strong light source, e.g. the sun.

Table of Contents

Introduction	3
Special Features of NOBLEX	3
Important Notes	3
Table of Contents	4
Designation of Parts and Operating Elements	5
Attaching the Camera Strap	6
Inserting the Batteries	6
Inserting and removing the film	6
Inserting the film (NOBLEX PRO 150)	6
Removing the film (NOBLEX PRO 150)	7
Inserting the film (NOBLEX PRO 175)	7
Removing the film (NOBLEX PRO 175)	7
Short Time Exposures	8
Long Time Exposures	8
Use of 'Lens Shift' function	8
Multiple Exposures	8
Filters and Close-up Lenses	9
The Slow Exposure Module	9
Attaching to NOBLEX PRO	9
Operating and Exposing in the Slow Speed Range	10
The PANOLUX 150	11
Care of Camera	11
What to do then your camera requires service?	11
Accessories for the NOBLEX PRO 150/175	12
Technical data and tables	12
Drum running times of the NOBLEX PRO 150/175	12
Technical data of the NOBLEX PRO 150/175 models	13

Designation of Parts and Operating Elements



Above: View of above
 Below on left: View of behind
 Below on right: View of below



Attaching the Camera Strap

Thread the camera strap in the lug (8).

Inserting the Batteries

NOBLEX PRO cameras require 4 batteries AAA (RO3/UM4/LR) 1,5V. Please use high-quality alkaline batteries, of course, with items ‚Photo/Audio‘, ‚Photo‘ or ‚Power‘. When inserting the batteries follow these instructions:

1. Open the battery compartment cover (24) by pressing the upper half of the cover slightly and push it upwards.
2. Open up the battery compartment cover (24).
3. Insert the new batteries. Pay attention to the right polarity and position of the strips for removing the batteries.
4. Lift the battery compartment cover (24) down.
5. Close the cover by pressing the lower half of the cover slightly and push it downwards at the same time until it is engaged.



Please note

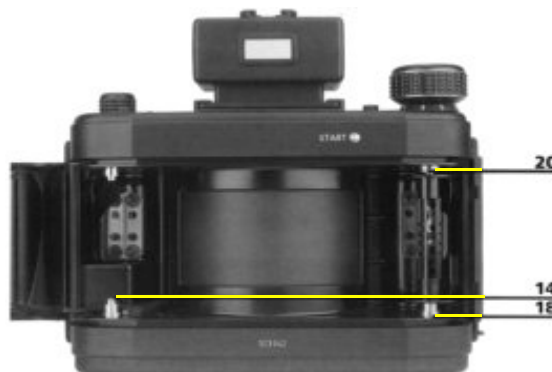
Never use batteries of different types and do not mix old batteries with new ones. Do not use rechargeable batteries. If you do not use your camera for an extended time, remove the batteries for this time.

Inserting and removing the film

NOBLEX PRO cameras require 120 roll film. To insert and change the film please follow these instructions:

Inserting the film (NOBLEX PRO 150)

1. Turn the camera off at the ON/OFF switch (10).
2. Advance the winding disk (5) until the counter (5a) reaches position »5«. (If necessary, press the shutter release button (4) to advance to the position »5«.)
3. Unlock the camera back (9) and open it.
4. Insert the film spool into the left-hand spring-loaded compartment (14).
5. Insert the empty film spool into the right-hand compartment (18). The spool must engage in the upper catch (20).
6. Thread the tongue of the paper lead into the take-up spool.
7. Turn the winding disk (5) until the double arrow on the protective paper of the film is opposite the red dot on the camera film guide (16). pay attention to insure a tight winding of the film.
8. Close the camera back and lock it (9).
9. Press the start button (5b). The counter is released with that. **Remark:** At older models the start key (5b) isn't available yet. In this case the shutter release button (4) has to be pushed.
10. Advance the winding disk (5) in the direction of the arrow until it stops. The film counter should be at the number 1. To take a picture turn the camera on at the ON/OFF switch (10) and press the shutter release button (4).



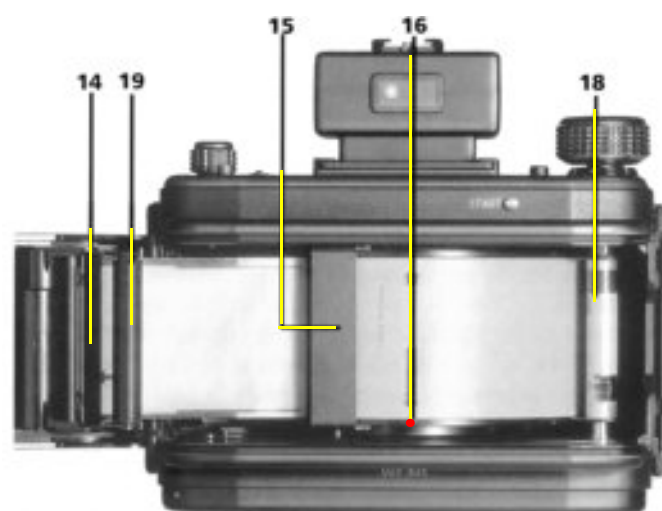
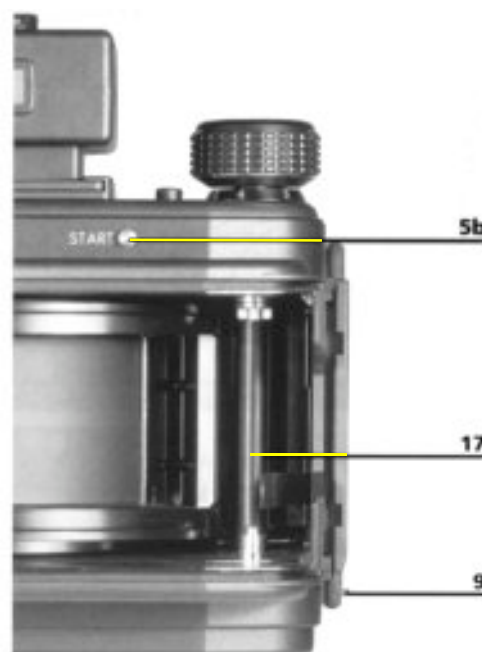
Removing the film (NOBLEX PRO 150)

1. Turn the camera off at the ON/OFF switch (10).
2. Advance the winding disk (5) until the counter (5a) reaches position »S« and the start button (5b) moves out of the camera housing. Turn the film advance knob at least 4 times to avoid unintentional incidence of light.
3. Unlock the camera back (9) and open it.
4. Press the film spool down until it can be swung out and removed.

Please note Do not change the film under a strong light source.

Inserting the film (NOBLEX PRO 175)

1. Turn the camera off at the ON/OFF switch (10).
2. Advance the winding disk (5) until the counter (5a) reaches position »S«. (If necessary, press the shutter release button (4) to advance to the position »S«.)
3. Unlock the camera back (9) and open it.
4. Insert the film spool into the left-hand compartment (14) in the camera back.
5. Push the tongue of the paper lead under the pressure roll (15).
6. Push the tongue of the paper lead under the fight diversion roller (17) - it is located in the fight-hand compartment behind the take-up spool (18) - and pull it until the double arrow on the protective paper of the film reaches the pressure roller (15).
7. Insert the take-up spool into the right-hand compartment (18).
8. Thread the tongue of the paper lead into the empty spool.
9. Turn the winding disk (5) until the double arrow on the protective paper of the film is opposite the red dot on the camera film guide (16). Make sure that the film is wound snug onto the take up spool.
10. Close the camera back and at the same time press the left diversion roller (19) slightly to the back.
11. Lock the camera back (9).
12. Press the start button (5b). The counter is released with that.
Remark: At older models the start key (5b) isn't available yet. In this case the shutter release button (4) has to be pushed.
13. Advance the winding disk (5) in the direction of the arrow until it stops. The film counter should be at the number 1. To take a picture turn the camera on at the ON/OFF switch (10) and press the shutter release button (4).



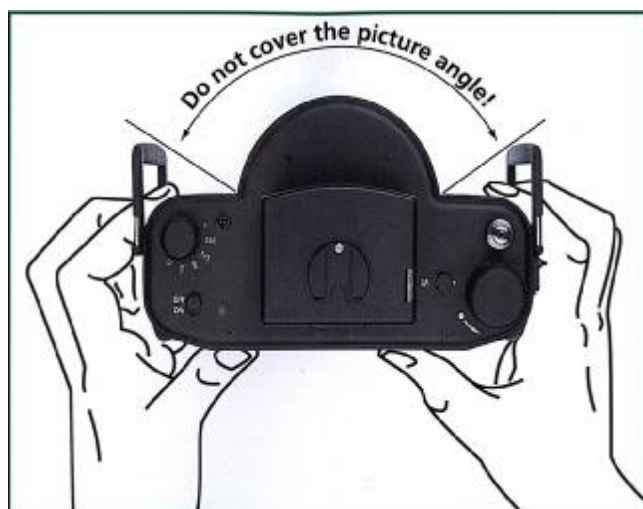
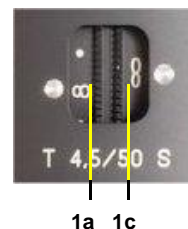
Removing the film (NOBLEX PRO 175)

1. Turn the camera off at the ON/OFF switch (10).
2. Advance the winding disk (5) until the counter (5a) reaches position »S« and the start button (5b) moves out of the camera housing. Turn the film advance knob at least 4 times to avoid unintentional incidence of light.
3. Unlock the camera back (9) and open it.
4. Press the film spool down until it can be swung out and removed.

Please note Do not change the film under a strong light source.

Short Time Exposures

1. Turn the camera on at the ON/OFF switch (10). LED indicator shows green.
2. Switch the double exposure button (6) to single exposure (not to position »M«).
3. Select your exposure time and set it on the shutter speed setting knob (2).
4. Set the aperture desired on the aperture setting wheel (1a).
5. Set the distance desired on the focusing wheel (1c) - this is not applicable on NOBLEX PRO models 150 E2, 150 HS. Please refer to the table on the back cover or to the camera back (25a) for the corresponding distance range.
6. Rotate the film advance knob (5) in the direction of the arrow until it stops.
7. After carefully viewing your subject depress the shutter release button (4).



Please note

Pay attention to the proper holding of the camera. Otherwise your hands may appear in the photograph.

When sighting the camera refer to the levels. Inclined skylines and con-verging vertical lines can thus be reliably avoided. Please refer to the Technical Features on the back cover or to the table (25a) on the back of your camera for depth of field figures.

It is advisable to switch the camera off (10) when there is a longer interval between two exposures to conserve battery life.

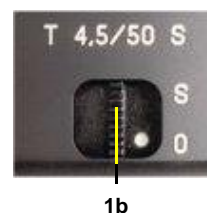
Long Time Exposures

To use your NOBLEX PRO in the slow exposure range you require the slow exposure module. Please turn to page 9 for this.

Use of 'Lens Shift' function

When using the lens shift the subject is moved upwards without tilting the camera. Converging lines can thus be avoided. In order to shift the lens: Set the shift setting wheel (1b) to marking »S«. Set the shift setting wheel (1b) to marking »0« to return the lens to the normal position.

Please note A »cut-out« (7a) is provided in the viewfinder to help determine the top edge of the »shifted« photograph.



Multiple Exposures

In order to expose one frame of film more than once, switch the double exposure button (6) to position »M«. Press the shutter release knob (4) once for a single exposure. This procedure can be repeated as often as you wish. Keeping the shutter release knob (4) pressed, the lens will continue to rotate and the exposing process is repeated until you release the knob (4). The complete exposure time consists of all single exposure times. You will find a corresponding table on page 13.

Please note We recommend using a tripod and cable release for most applications of multiple exposures.

Filters and Close-up Lenses

As accessories for NOBLEX cameras we offer a wide range of filters and close-up lenses. NOBLEX filters and close-up lenses are specially designed with a magnetic ring on the back surface of the filter/close-up lenses. They can thus directly be fixed to the lens. For inserting the filter or a close-up lens follow these instructions:

1. Turn the camera off at the ON/OFF switch **(10)**.
2. Push the double exposure button **(6)** to position »M«.
3. Press the shutter release button **(4)** and hold it pressed.
4. Turn the lens drum anticlockwise until it reaches a stop.
5. Release the shutter release button **(4)**.
6. Put the camera on its back.
7. Pick up the filter or the close-up lens by the hole of the filter ring using a pair of tweezers and insert it through the shutter slit. Place the filter onto the lens. The filter is magnetically held onto the front of the lens.
8. Turn the lens drum back until it is engaged.
9. Push the double exposure button **(6)** back to single exposure, if desired.



When removing the filter or the close-up lens follow the same procedure.

Please note

To step 5: If you turn the drum clockwise the film is exposed and you lose one picture. Please be very careful when changing filters/close-up lenses in order to avoid damage to the lens caused by the tweezers.

The Slow Exposure Module

The module for slow exposures offers you the opportunity to work comfortably with these NOBLEX PRO cameras designed for the slow exposure module in the slow speed range. The necessary power is supplied by the batteries of the camera.

Attaching to NOBLEX PRO

To attach the module to your camera please follow these instructions:

1. Remove the protective cap by turning the fastening knob **(701)** clockwise.
2. Turn the camera off at the ON/OFF switch **(10)**.
3. Turn the control ring **(702)** of the module until both white dots face each other.
4. Attach the slow exposure module to the left-hand camera bottom so that the guide pins **(703)** mesh with the inter-face **(11)** in the camera bottom. At the same time the white dots of camera and slow speed module must face each other.
5. Turn the fastening knob **(701)** until the module is tightly connected with the NOBLEX camera.



To remove the module from your camera please follow these instructions:

1. Turn the camera off at the ON/OFF switch **(10)**.
2. Turn the control ring **(702)** of the module until both white dots face each other.

3. Disengage the module from your NOBLEX by turning the fastening knob (701) and remove it.
4. We recommend putting on the protective cap.

Operating and Exposing in the Slow Speed Range

When taking photographs in the slow exposure range, follow these instructions:

1. Attach the slow exposure module to your NOBLEX as described in previous chapter.
2. Turn the camera on at the ON/OFF switch (10).
3. Turn the control ring (702) until the white dot on the control ring (702) faces the red dot on the camera. The LED indicator (3) will show red.
4. Set the exposure time desired at the shutter speed setting knob (2).
5. Set the aperture desired on the aperture setting wheel (1a).
6. Set the distance range desired on the focusing wheel (1c) (not applicable on camera models 150 E2, 150 HS). Please refer to the table on page 13 or to the back (25a) of your camera for the corresponding depth of field figures.
7. Wind the film advance knob (5) until it stops.
8. After carefully viewing your subject, depress the shutter release button (4).

Please note

You can use the camera for faster exposures even when the slow exposure module is attached. Turn the control ring (702) until the white dot of the adjustment ring faces the white dot of your NOBLEX. The LED indicator (3) will show green.

The long time exposure module was designed to be as maintenance-free as possible. However, protect the module from extreme vibrations, damage, heat and moisture. Do not use organic solvents for cleaning the module. Keep the drive shaft (704) clean and dry.

The PANOLUX 150

The PANOLUX 150 is an exposure metering and control module which you can purchase in addition to your NOBLEX PRO 150/175. The PANOLUX automatically controls the exposure time of your camera. There are two measuring methods for this: reflective metering (light metering in direction of the subject), and metering of incident light. The incident light metering offers two different methods of measuring: pure metering of incident light (metering of the light falling on the subject and/or the white diffuser independent of the reflection qualities of the subject) and subject-oriented metering of incident light (simultaneous reading with the front detector cell and the diffuser which means that the reflections of the subject are taken into consideration).

When working in reflective metering or subject-oriented metering of incident light it is also possible to enter correction factors into the PANOLUX which influence the drum rotation speed during the exposure process. According to the correction factor set on the PANOLUX, the lens drum moves slower or faster in the corresponding parts of the exposure and different exposure times are produced during one drum rotation. Typically, a slower rotation will 'brighten' that area. Conversely, a faster rotation will 'darken' that portion of the photograph.

You find broader details on this in the operation instructions for the PANOLUX 150.



Vorder- und Rückansicht des PANOLUX 150

Care of Camera

For high-quality photographs and reliable operation of your camera we recommend you clean the camera regularly. Do not use organic solvents such as petrol ether, thinning or strong cleaning agents. For removing dust and fluff, use a small and soft photo brush. pay special attention to:

- a clean drum slit
- a clean film compartment
- a clean film plane
- a clean drive shaft (704) of the slow exposure module

What to do then your camera requires service?

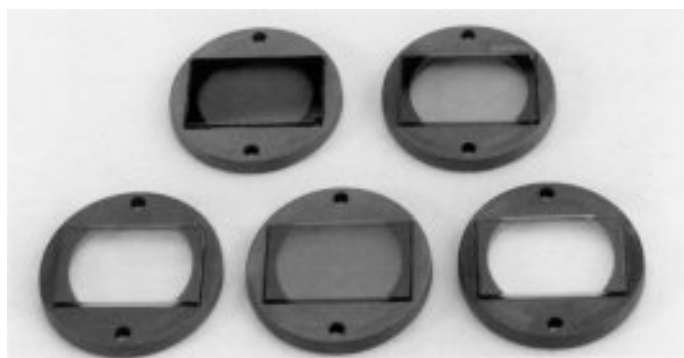
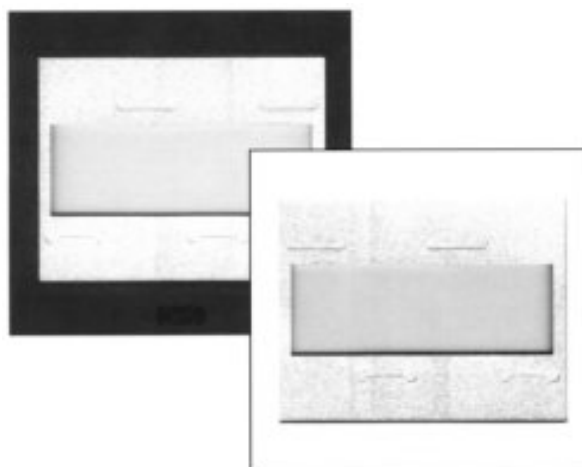
Should you have any problems with your camera which you cannot clear with the hints given in the operating instructions, please contact your dealer or importer.

Addresses of your closest camera repair centre are obtainable from:

KAMERA WERK DRESDEN GmbH
Bismarckstraße 56
01257 Dresden
Germany

Tel. +49 (3 51) 28 06-0
Fax +49 (3 51) 28 06-392
E-mail: info@kamera-werk-dresden.de
Web: <http://www.kamera-werk-dresden.de>

Accessories for the NOBLEX PRO 150/175



on right above:

VR3-Head for 360° photos

on left above:

Dia frame for roll film 60 x60

on left:

Filter and close-up lenses

Technical data and tables

Drum running times of the NOBLEX PRO 150/175

Chosen exposure time (s)	Drum running time (s) *	Example of a slow time exposure of exposure time chosen of 1/15 s under use of the multiple exposure with a NOBLEX PRO 150/175	
		Number of the drum turns	Complete drum running time (s)*
1/250	0,5	-	-
1/125	0,8	-	-
1/60	1,5	-	-
1/30	3	-	-
1/15	6	-	-
1/8	14	2	14
1/4	25	4	25
1/2	50	8	50
1	95	16	95
2	190	32	190
4	-	64	380

* The given times are tolerance full average results.

Being able to be reached by multiple exposures exposure times which go beyond this one at the camera of adjustable exposure times far with the NOBLEX panorama cameras.

Technical data of the NOBLEX PRO 150/175 models

NOBLEX PRO Model	6/150 E2 6/150 E	6/150 HS	6/150 UX 6/15 U						175 UX 175 U								
Multiple exposure	yes		yes						yes								
Seeker spirit level	yes		yes						yes								
Connection for PANOLUX 150	yes	no	yes						yes								
,shift'-area to up (mm)	no ,shift' function		5														
Angle of view horizontal (°)			135						132								
Angle of view vertical (°)			52						37								
Angle of view diagonal (°)			146						138								
Exposure opening slit (mm)	3	1,4	3														
Film type	60 mm – roll film Nr.120 (DIN 4523)																
Number of pictures per film	6						4										
Picture format (mm)	50 x 120						50 x 170										
Exposure times (s)	1/250	1/1000	1/250	1/8	1/250	1/8	1/250	1/8	1/250	1/8							
	1/125	1/500	1/125	1/4	1/125	1/4	1/125	1/4	1/125	1/4							
	1/60	1/250	1/60	1/2	1/60	1/2	1/60	1/2	1/60	1/2							
	1/30	1/125	1/30	1	1/30	1	1/30	1	1/30	1							
	1/15	1/60	1/15	2	1/15	2	1/15	2	1/15	2							
Objective type	ROTAR T 4,5/50 S						ROTAR T 6,5/75										
Focal length f' (mm)	50,75						73,5										
Used picture circle Ø (mm)	50,1	50	60,1														
Adjustment range	none (,Fix-Focus')			,℥'	,m'	,n'	,℥'	,m'	,n'	,℥'	,m'	,n'	,℥'	,m'	,n'		
Refracting close-up lens (dpt)	none	0,25	0,5	none			0,25	0,5	none			0,25	0,5	0,5			
Unschärfenkreis -Ø (mm)	0,07			0,05	0,07	0,5			0,07	0,085	0,07						
Middle admission distance	10,4	2,9	1,7	17,2	6,5	2,8	3,2	2,5	1,8	1,5	27,1	21,1	5,6	3,4	3,0	1,9	
Sharpness area Objective-Picture (m)	k=4,5	∞...4,6	4,3...2,2	2,1...1,4	∞...6,9	15...4,2	4,2...2,1	4,4...2,5	3,1...2,1	2,1...1,6	1,8...1,4	is dropped					
	k=5,6(6,5)	∞...4,1	4,9...2,0	2,2...1,3	∞...6,1	22...3,9	4,8...2,0	4,8...2,4	3,3...2,0	2,2...1,5	1,9...1,3	∞...8,3	∞...6,1	12...3,6	4,8...2,7	4,0...2,4	2,2...1,7
	k=8	∞...3,2	7,2...1,8	2,6...1,2	∞...4,7	∞...3,3	6,8...1,8	6,2...2,2	3,9...1,8	2,4...1,4	2,0...1,2	∞...7,2	∞...5,5	17...3,3	5,3...2,6	4,3...2,3	2,3...1,6
	k=11	∞...2,6	17...1,6	3,2...1,1	∞...3,7	∞...2,8	15...1,6	9,5...1,9	5,0...1,7	2,8...1,3	2,2...1,1	∞...5,7	∞...4,5	84...2,9	6,6...2,4	5,1...2,1	2,5...1,5
	k=16	∞...1,9	∞...1,3	5,6...1,0	∞...2,8	∞...2,2	∞...1,3	109...1,7	9,6...1,4	3,8...1,2	2,8...1,0	∞...4,2	∞...3,5	∞...2,4	11...2,1	7,5...1,9	3,0...1,4
	k=22	∞...1,5	∞...1,1	53...0,9	∞...21,	∞...1,8	∞...1,1	∞...1,4	∞...1,3	6,7...1,1	4,1...0,9	∞...3,2	∞...2,8	∞...2,0	83...1,8	17...1,7	3,8...1,3
	k=32	is dropped									∞...2,3	∞...2,1	∞...1,5	∞...1,5	∞...1,4	7,4...1,1	
Remarks	none		Exposure times 1/8 to 2 s over long time module; direct vision viewfinder removable														
Power supply	4 high-power batteries of type R06/AA/LR06 (Use NO accumulators!)																
Measures (L/B/H) (mm)	211 / 114 / 175			210 / 115 / 185						210 / 155 / 185							
Weight (g)	1750		1840						2350								



All rights at KAMERA WERK Dresden GmbH.
Copies, also in an abridged version, only by approval of the KAMERA WERK Dresden GmbH.
NOBLEX and PANOLUX are typed in trademarks of the KAMERA WERK Dresden GmbH.
The KAMERA WERK Dresden GmbH reserves deviations in the illustrations and changes of the
technical piece of equipment equipment for herself.

KAMERA WERK DRESDEN GmbH
Bismarckstraße 56, 01257 Dresden
Tel. +49 (351) 2 80 60
Fax +49 (351) 2 80 63 92
E-Mail: info@kamera-werk-dresden.de
Web: www.kamera-werk-dresden.de



Free Manuals Download Website

<http://myh66.com>

<http://usermanuals.us>

<http://www.somanuals.com>

<http://www.4manuals.cc>

<http://www.manual-lib.com>

<http://www.404manual.com>

<http://www.luxmanual.com>

<http://aubethermostatmanual.com>

Golf course search by state

<http://golfingnear.com>

Email search by domain

<http://emailbydomain.com>

Auto manuals search

<http://auto.somanuals.com>

TV manuals search

<http://tv.somanuals.com>