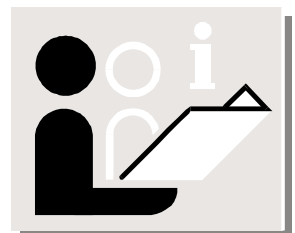
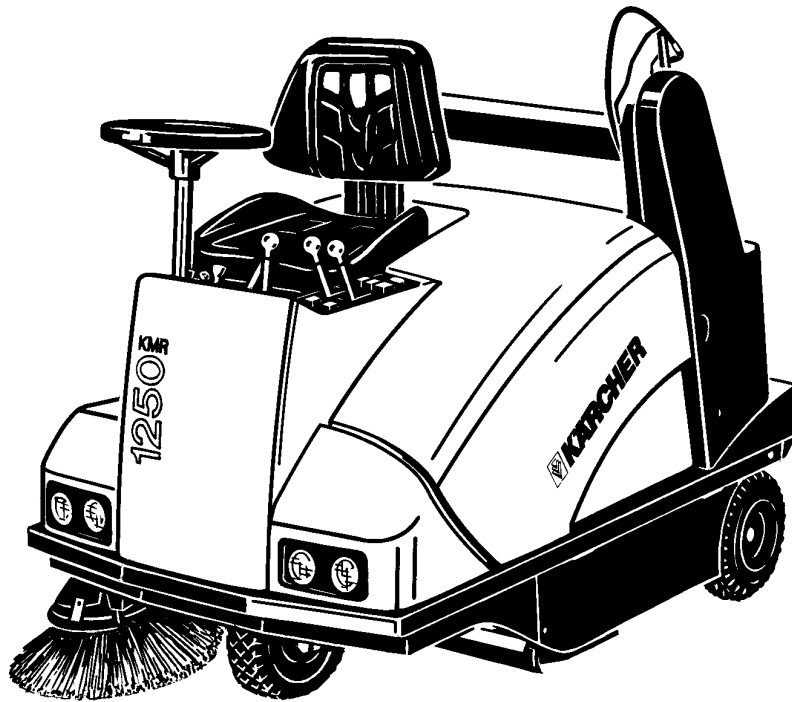


KMR 1250 B

1.091-104

1.091-124



Deutsch	Betriebsanleitung für Anwender	3
	Ersatzteilliste	228
English	User Instructions	28
	Spare Parts List	228
Français	Notice d'instructions pour l'utilisateur	53
	Liste des pièces de rechange	228
Español	Instrucciones de servicio	78
	Lista de repuestos	228
Hrvatski	Uputstvo za upotrebu za korisnik	103
	Popis rezervnih dijelova	228
български	Ръководство за работа	128
	Списък на резервни части	228
Slovensko	Navodila za uporabo namenjena uporabniku	153
	Seznam nadomestnih delov	228
Slovensky	Návod na obsluhu pre používateľa	178
	Zoznam náhradných dielcov	228
Ελληνικά	Οδηγίες λειτουργίας για τους χρήστες	203
	Λίστα ανταλλακτικών	228

Contents

For your safety	29
On behalf of the environment	30
Intended usage	31
Sweeper functions	31
Prior to initial start-up	32
Operating controls	33
Preparing the sweeper for use	34
Adjusting the driver's seat	34
Filling the fuel tank	34
Opening the fuel tap	34
Starting the sweeper	35
Initial driving trials	35
Moving off and sweeping	35
Braking	36
Stopping the sweeper and switching off	36
Cleaning the filter	36
Emptying the waste hopper	37
Typical applications	38
Sweeping on dry ground	38
Sweeping on damp or wet ground	38
Shutting the sweeper down for longer periods	39
Transporting the sweeper	40
Cleaning and care	40
Maintenance	41
Daily maintenance	41
Maintenance intervals	41
Maintenance tasks	42
Opening/closing the unit cover	42
Disconnecting the battery	42
Checking tyre pressures	43
Checking the oil level	43
Filling up with oil	43
Changing the engine oil	43
Cleaning or replacing the air cleaner	44
Cleaning the fuel filter holder	44
Checking the hydraulic system	44
Checking the level of electrolyte in the battery	45
Charging the battery	45
Replacing the sealing skirts	46
Replacing the side brush	46
Replace light unit	46
Adjusting the sweeping pattern	47
Replacing the main brush roller	48
Replacing fuses	49
Replacing the dust filters	49
Troubleshooting	50
Technical specifications	51

For your safety

Before you use this machine for the first time, please read the following:

- these operating instructions
 - the enclosed leaflet Safety Information No. **5.956-250**.
- Make sure that all information contained therein is complied with.



Explosion hazard while refuelling!

- Do not fill up with fuel
 - in an enclosed space
 - while the engine is running.
- Do not smoke while refuelling the vehicle.
- Fuel expands as it becomes warmer.
Do not fill the tank right up to the top. Leave a gap of at least 1 cm under the bottom edge of the filler neck.
- Wipe up any fuel they may have been spilt and ensure that the cap is replaced firmly on the tank.



Fire hazard while sweeper is operating!

- Keep highly inflammable materials away from the engine and the exhaust while the sweeper is operating.



Danger of toppling over on steep slopes!

The sweeper could topple over while it is being driven across or turning round on a steep slope.

- The maximum gradient up or down which the sweeper can be driven is 18%.
- Do not drive at right angles to a slope with a gradient steeper than 10%.



Danger of toppling over if bends are negotiated at high speed!

- The sweeper could topple over if it is driven round a bend at high speed. Drive slowly round bends.



Caution when carrying out maintenance or repairs!

In order to prevent the engine from being started unintentionally, proceed as follows:

- Remove the ignition key.
- Disconnect the battery at the negative terminal.



Caution while handling the battery!

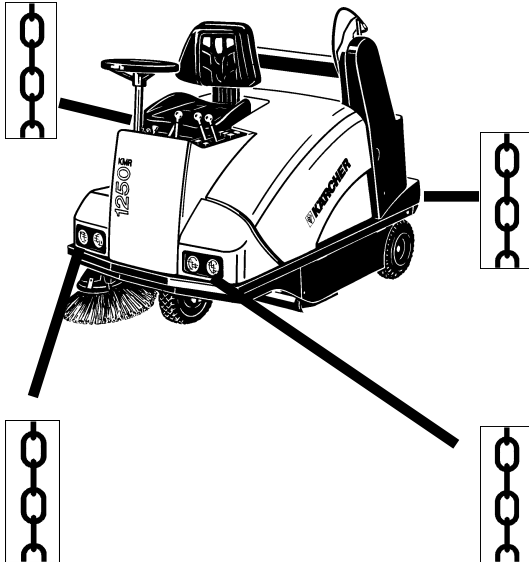
Observe the safety information provided by the battery manufacturer.

Always use batteries and chargers recommended by KÄRCHER, otherwise your warranty could be rendered invalid.

⚠ Caution while transporting the sweeper!

Make sure that the sweeper is secured properly if you are going to transport it to a different location.

Do not use a forklift truck for loading purposes as it could damage the sweeper.



- Apply the parking brake.
- Secure the sweeper as shown in the illustration, using
 - web belts
 - or
 - ropes
 - or
 - chains.

On behalf of the environment

⚠ Caution, environmental hazard due to exhausted batteries!

Exhausted batteries should not be treated as domestic refuse. Make sure that they are disposed of in an environmentally appropriate manner.

⚠ Caution, environmental hazard due to engine oil or hydraulic fluid!

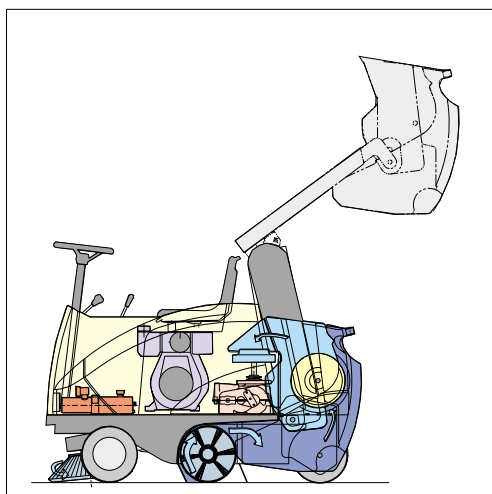
After you have changed the engine oil or hydraulic fluid, take the waste product to a recognised collection point or to a waste disposal company.

Intended usage

This sweeper

- is intended to be used for sweeping outdoor surfaces,
- corresponds to application category BIA KAT "U" for dusts which present no health hazard
- should not be used in enclosed spaces,
- can only be used on public paths and highways if it has been fitted with the StVZO Accessory Kit.

Sweeper functions



Main components

Drive unit

- single-cylinder petrol engine (6.6 kW according to SAE J 6070a)
- continuously-adjustable hydraulic drive to rear wheels
- main brush and side brush driven via belts
- hydraulically controlled emptying of waste hopper
- high-performance generator

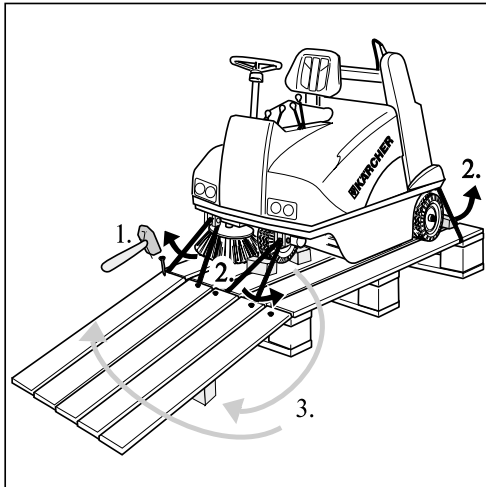
Sweeping mechanism

- main brush employing throw-over principle for particularly effective filling of waste hopper
- floating main brush roller with adjustable height above ground
- quick-change mechanism for main brush
- side brush can be raised and swivels automatically
- bulk waste flap for picking up larger items (e.g. cigarette packs or drink cans)

Filter system

- integrated dust extraction for main roller by means of radial turbine
- 2 circular filters with 2 x 3 m² effective surface area
- electric filter cleaner with automatic shaking mechanism

Prior to initial start-up



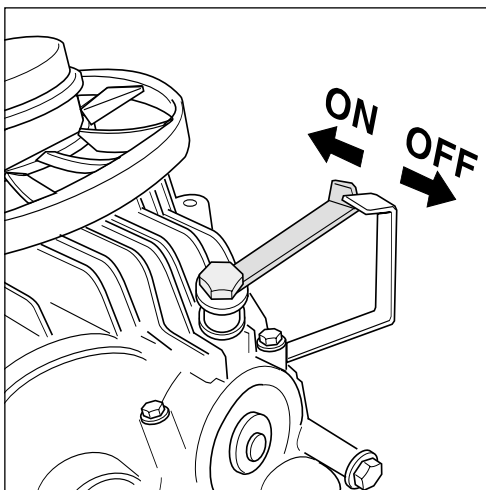
Unloading procedure



Do not use a forklift truck for unloading as it could cause damage to the sweeper.

The sweeper has been lashed onto a pallet to ensure that it can be transported safely. The procedure for unpacking the sweeper is as follows:

1. Remove the wooden boards from the pallet and nail them onto the end of the pallet (in front of the sweeper).
2. Detach the wires holding the sweeper in place at the ends of the pallet.
3. Knock away the blocks used for locking the wheels and use them for the support of the wooden planks on the left and right.
4. Drive the sweeper off the pallet and down the ramp made from the boards.
5. The side brush has been tied to the chassis for transport. Undo the cord holding it in place.



Pushing the sweeper by hand

If you wish to move the sweeper without using its own drive:

- Open the engine cover.
- Fold the cover towards the rear; it will be held in place by the pneumatic spring.
- ← Turn the lever for allowing freewheeling to position "OFF".
- Release the handbrake.
- Push the sweeper to the required destination.

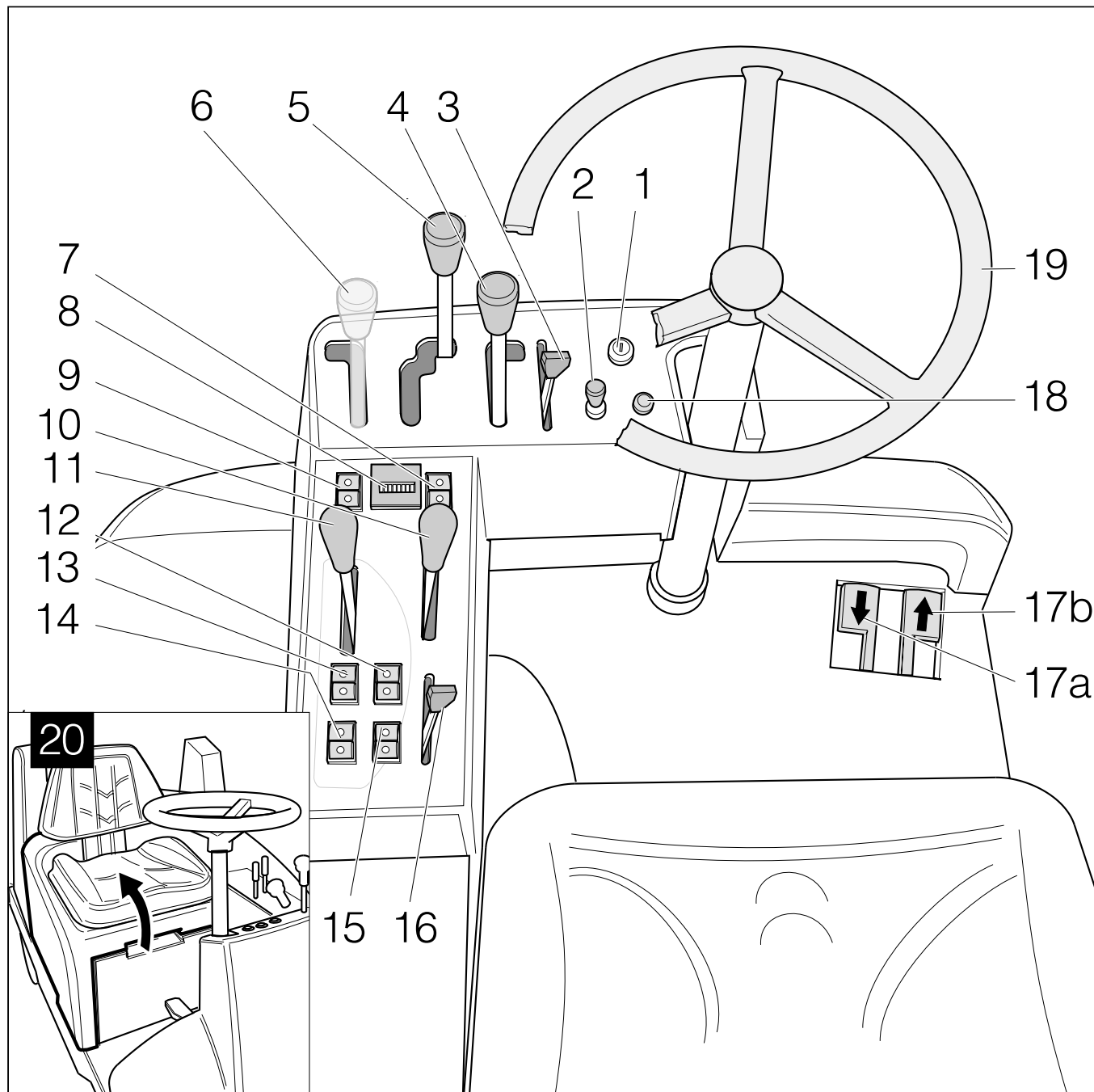
Note:

Do not move the sweeper over long distances without using its own drive or at higher speeds than 10 km/h (e.g. whilst being towed).

After moving the machine

- Put the parking brake on.
- Set free-wheeling lever to position "ON".

Operating controls



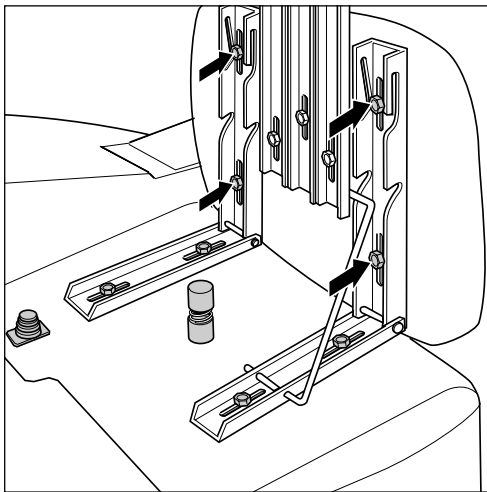
- | | |
|---|-----------------------------------|
| 1. Ignition lock | 11. Parking brake / Driving brake |
| 2. Choke | 12. Tip waste hopper * |
| 3. Throttle lever | 13. Raise waste hopper * |
| 4. Raise / lower RH side brush | 14. Lower waste hopper * |
| 5. Raise / lower main brush | 15. Filter cleaning |
| 6. Raise / lower LH side brush (optional) | 16. Sweeping mode, wet / dry |
| 7. Switch for two-handed operation | 17a. Drive pedal backwards |
| 8. Operating hour counter | 17b. Drive pedal forwards |
| 9. Lights | 18. Horn |
| 10. Bulk waste flap | 19. Steering wheel |
| | 20. Open/close unit cover |

* Function only operative in conjunction with 7 (two-handed operation).

Preparing the sweeper for use

All directions given (left/right, front/rear) are as seen from the driver's seat.

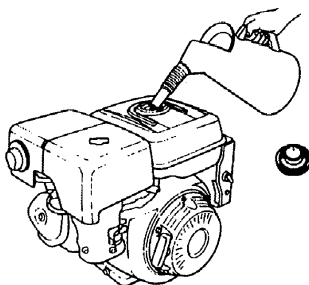
- Check the oil level in the engine (see Chapter: "Maintenance").
- Check the amount of fuel in the tank and fill up, if required (see below).
- Check the level of hydraulic fluid and top up, if required (see Chapter: "Maintenance").
- Check the air pressure in the tyres (see Chapter: "Maintenance").
- Inspect the brush roller and remove any string, rope, etc., that may be caught up in the brushes.
- Check the dust filter. If it is very dirty, operate the shaker to clean it off.
- Empty the waste container.



Adjusting the driver's seat

The driver's seat can be adjusted to suit persons of various heights.

- Unhook the rods in the seat tilting device.
- ← Undo the 4 screws.
- Move the seat to the desired position.
- Tighten the screws and hook the rods back into the tilting device.

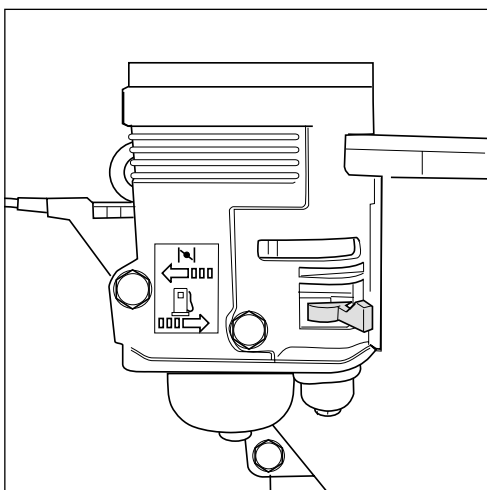


Filling the fuel tank



Explosion hazard while refuelling!

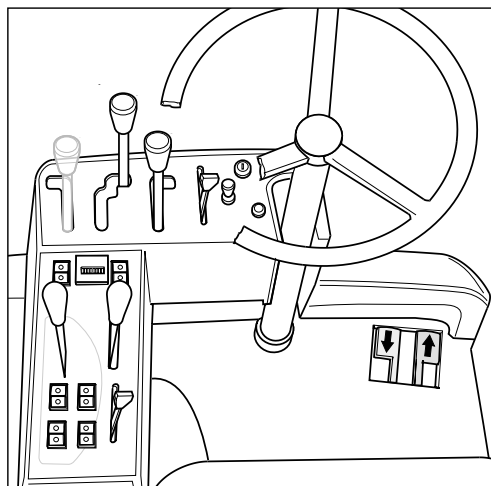
- Do not fill up with fuel
 - in an enclosed space
 - while the engine is running.
- Do not smoke while refuelling the vehicle.
- Fuel expands as it becomes warmer. Do not fill the tank right up to the top. Leave a gap of at least 1 cm under the bottom edge of the filler neck.
- Wipe up any fuel they may have been spilt and ensure that the cap is replaced firmly on the tank.
- Use petrol, regular (lead-free).



Opening the fuel tap

- Open the unit cover.
- ← Open the fuel tap.
OPEN = lever pushed to side opposite to direction of travel
- Close the unit cover.


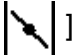

Starting the sweeper






Initial driving trials

Carry out initial driving trials in an area where there is plenty of free space until you are familiar with individual operating controls and their functions.

All indications of direction (right/left, front/rear) are given in relation to the direction of travel as seen from the driver's seat.

- Sit down on the driver's seat.
The engine cannot be started until the driver has sat down (seat contact switch). As soon as driver gets up from the seat, the engine switches off (safety cut-out).
- Make sure that
 - the LH side brush (if fitted) is in the raised position,
 - the RH side brush is in the raised position,
 - the main brush is in the raised position.
- Set the throttle lever to the middle position [] (operating speed).
- Pull out the choke [].
- Turn the ignition key to the start position [].
- When the engine has started running, set the control for the choke back to its home position.

Moving off and sweeping

- Lower the main brush [] and, if required, the side brush as well [].
- Release the parking brake []
 - push the lever towards the front.
- Slowly depress drive pedal
 - depress right pedal, machine travels forwards
 - depress left pedal, machine travels backwards.

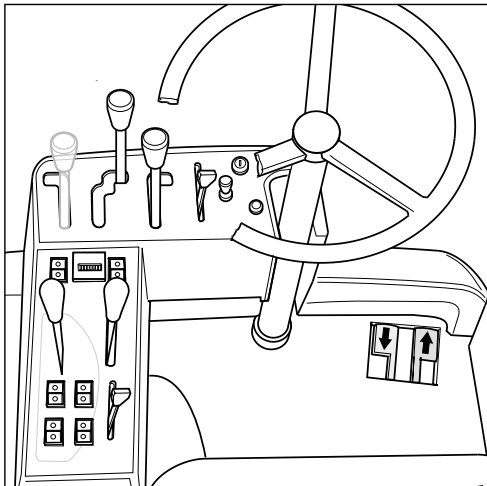
Whichever drive pedal is being used at the time, the driving speed can be uniformly and smoothly regulated backwards or forwards. Avoid jerky operation of the pedals, as the hydraulic system could suffer damage in this way.

Braking

- Release the drive pedal and the sweeper will brake automatically.

Important note: Safety!

It is possible that the automatic braking function will not be sufficient to bring the sweeper to a halt. In this case, either make use of the parking brake as well or gently press the drive pedal in the opposite direction to travel.



Stopping the sweeper and switching off

- Release the drive pedal. The sweeper brakes automatically and comes to a halt.
- Apply the parking brake [(P)].
- Set the throttle lever to minimum engine speed (to the rear).
- Make sure the main roller [↑☀] and side brush [↑🧹] are raised so that the bristles are not damaged.
- Switching off
 - Turn the ignition key counter-clockwise to the 0 position and then remove it.
 After the engine has been switched off, the filter is automatically cleaned for approx. 10 seconds.

Cleaning the filter

Automatic cleaning

- Stop the sweeper and switch off the engine. After the engine has been switched off, the filter is automatically cleaned for approx. 10 seconds.

Manual cleaning

While the sweeper is operating, the filter should be cleaned approx. every 15–30 minutes (depending on amount of dust).

- Stop the sweeper.

- Set the sweeping mode lever to **wet** [🌧☀].

- Briefly operate the filter cleaning button [🧽], whereupon the filter will be cleaned for a duration of approx. 10 secs.

- Set the sweeping mode lever back to **dry** [☀].

- Continue with cleaning task as before.

Emptying the waste hopper



Important information

Injury hazard!

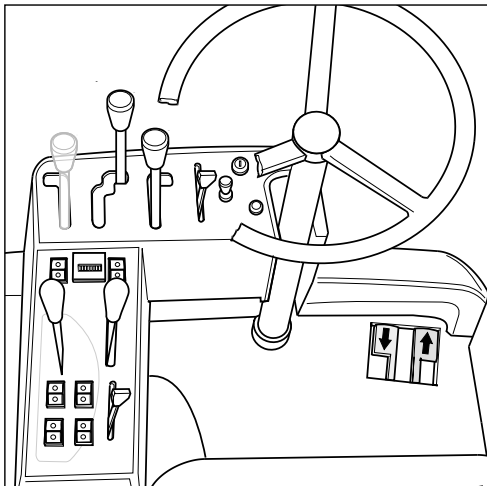
No person or animal should be allowed to stand in the area traversed by the hopper while it is being emptied.


Danger of being crushed!

Do not reach into the shafts and linkage of the emptying mechanism.
Do not stand under the hopper.

Risk of sweeper toppling over!

If the sweeper is standing on a slope with a gradient of more than 5%, it could topple over while the hopper is being emptied. The hopper should therefore only be emptied when the gradient at the location where the sweeper is standing is less than 5% for the direction in which it is facing.





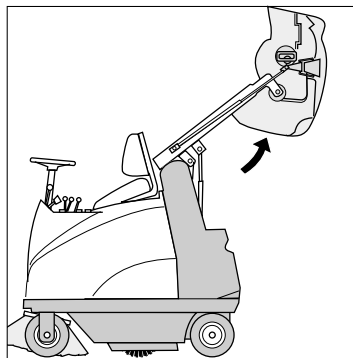
- Stop the sweeper.
- Raise the main brush [].

Note: Following steps can only be performed with the sweeper set to two-handed operation.

- Raise the waste hopper, [ + ].

When the hopper has reached the required height:



- Tip the hopper outwards, [ + ].



Note:

The hopper must have reached a certain minimum height before it can be tipped out. The best position for emptying the hopper is when it has been fully extended.

As soon as you release the button for activating the tipping system, the hopper automatically returns to its original position.

- Lower the hopper, [ + ].

Typical applications







Caution while sweeping!

Do not sweep up packing bands, wires or similar items, otherwise the sweeping mechanism will be damaged.
Do not sweep any burning/glowing objects.

Sweeping on dry ground

For a small amount of normal dirt

- on an even surface:
lower main brush
 - set the lever to the middle position [] (minimum brush wear).
- on an uneven surface:
lower main brush
 - set the lever to the lower position [] (increased brush wear).
- switch on dust extraction
 - set the switching mode lever to **dry** [].

- for cleaning right up to the edges – lower the side brush [].

At regular intervals:


- clean the filter,
- empty the waste hopper.

Notes: If you are sweeping up fine dust, use the side brush as little as possible as it will increase the amount of dust stirred up by the sweeper. If the side brush encounters an obstacle, it automatically swivels back inside the outer contours of the sweeper. You should nevertheless try to avoid collisions.

While the sweeper is operating, the filter should be cleaned approx. every 15–30 minutes (depending on amount of dust).

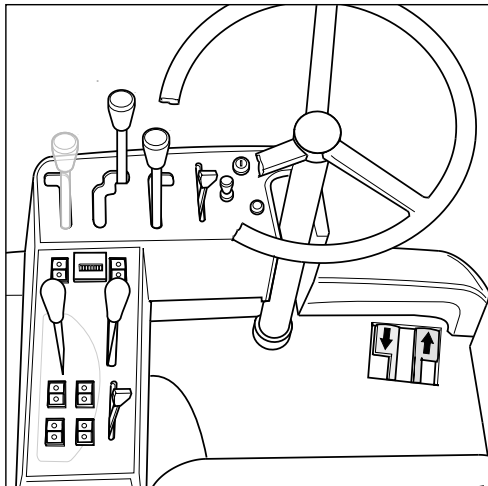
Sweeping on damp or wet ground

Follow the same procedure as for sweeping on dry ground. In order to protect the filter from moisture

- switch off the dust extraction
 - set the sweeping mode lever to **wet** [].

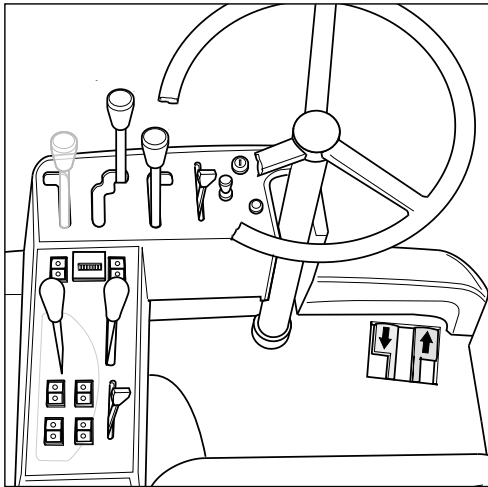
At regular intervals:

- empty the waste hopper.




Picking up larger items (sticks, tins, etc.)

Caution!



When the bulk waste flap is open, stones or grit could be thrown at the front by the main brush. Make sure therefore that when you open the flap no persons, animals or property are endangered.

- Open the bulk waste flap  by pulling back the corresponding lever.
- Drive over the items to be picked up, at low speed and with the bulk waste flap open.

Note:

In order to avoid stirring up dust unnecessarily, close the bulk waste flap again as soon as possible.

Overcoming obstacles

Obstacles up to 5 cm in height

- can be driven over without any problems. Before you do so, open the bulk waste flap and raise the main brush.

Obstacles more than 5 cm in height

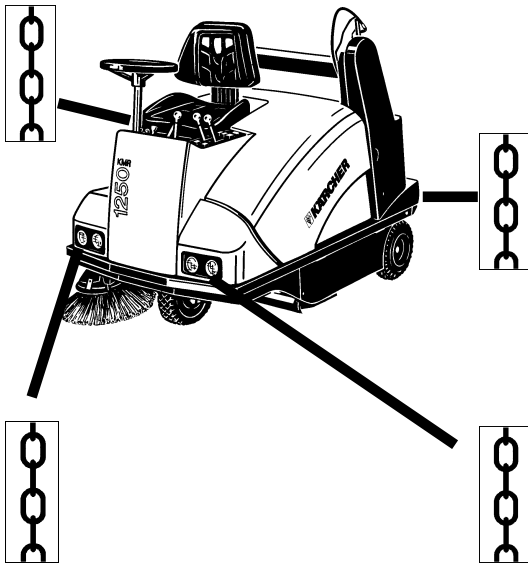
- can be only be driven over with the aid of a suitable ramp.

Shutting the sweeper down for longer periods

If you do not intend to use the sweeper for a longer period of time (e.g. during the winter), please observe the following.

- It is most important that the main brush and side brush(es) are kept raised in order to avoid damage to the bristles.
- Clean the interior and exterior of the sweeper.
- Close the fuel tap.
- Change the engine oil (see Chapter: "Maintenance").
- Store the sweeper in a protected environment and ensure that it cannot roll away.
- Remove the ignition key.
- Disconnect the battery.
- Charge the battery with a suitable charger approx. every two months (see Chapter: "Maintenance").

Transporting the sweeper



If the sweeper is going to be transported on the back of a vehicle, it must be properly secured so that it cannot move unintentionally.

- Apply the parking brake.
- Secure the sweeper in the manner shown in the illustration only, using
 - web belts
 - or
 - ropes
 - or
 - chains.

Cleaning and care

Before you carry out any cleaning or general maintenance tasks,

- park the sweeper and switch off the engine.

Cleaning the inside of the sweeper:

You can clean out the inner parts of the sweeper by blowing them through with compressed air.

Cleaning the outside of the sweeper:

The outside of the sweeper can be wiped off with a damp cloth. Do not use any aggressive cleaning agents which might cause damage to the plastic components.

Maintenance

First engine oil change



Caution!

When an engine is new, it is subject to increased abrasion. In order that the engine does not suffer any damage, we recommend that you change the engine oil and the oil filter after the first 8 operating hours.

Initial inspection after 8 operating hours



Caution!

In order to ensure that your sweeper functions safely and reliably, it should undergo an initial inspection after approx. 8 operating hours. The inspection should be carried out by an authorised service agent.

- Check all Bowden cables and make adjustments where necessary.
- Change the engine oil.
- Check that there are no leaks in the hydraulic system and all components function correctly.
- Check that the parking brake functions correctly.
- Check the air pressure in the tyres (correct level: 6 bar).

Daily maintenance

- Check the engine oil level.
- Check the tyre pressure (correct level: 6 bar).
- Inspect the brush roller and remove any string, rope, etc., that may be caught up in the brushes.
- Check the dust filter. If it is very dirty, operate the shaker to clean it off.
- Empty the waste container.

Maintenance intervals

Keep to the service intervals set out in the maintenance booklet so that your sweeper functions reliably and you retain the full benefit of the warranty.

The **maintenance booklet** (Order-no. 5.950-533) can be found in the tool compartment on the sweeper (under the bonnet).

The necessary maintenance tasks should be carried out by an authorised service agent.



Safety information applicable to maintenance tasks

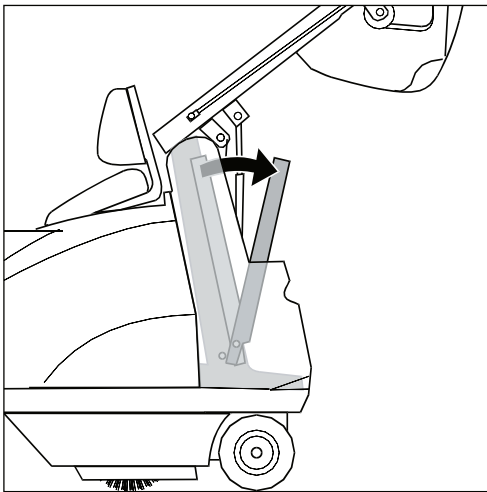
Before you begin any maintenance tasks, please read the enclosed leaflet **Safety Information** No. 5.956-250.

Caution! Make sure engine cannot be started unintentionally.

In order to prevent the engine from being started unintentionally, proceed as follows after you have parked the sweeper.

- Pull out the ignition key.
- Disconnect the battery at the negative terminal.

The necessary maintenance tasks or daily inspections can be carried out with the bonnet raised.



Injury hazard!

Do not open the bonnet until the motor has been switched off.

Burns hazard!

Take care not to touch the exhaust when you open the bonnet.

Injury hazard!

← If you need to work under the waste container while it is in the raised position, you must first of all secure the container to prevent it from dropping down unintentionally:

Maintenance tasks

Opening/closing the unit cover

- Tip the seat forwards.
- Take hold of the unit cover by the recessed grip and open it by pulling upwards.

Disconnecting the battery

- Open the unit cover.
- First of all disconnect the cable from the negative terminal (-), then disconnect the positive terminal (+).

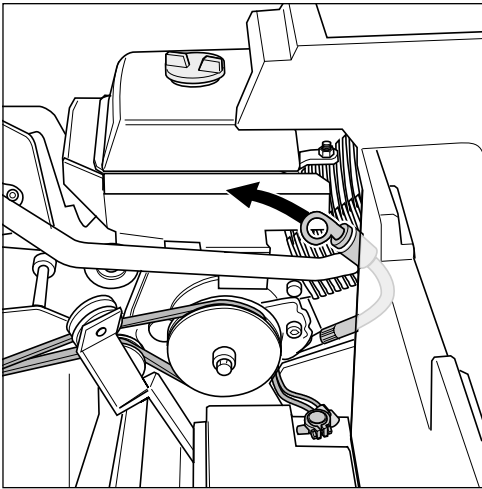
Note:

When reconnecting the battery, proceed in reverse order – connect the positive terminal (+) first of all, then the negative terminal (-).

Checking tyre pressures

- Park the sweeper on a level surface.
- Check air pressure and adjust pressure as required.
Air pressure for front and rear wheels = 6 bar

Checking the oil level

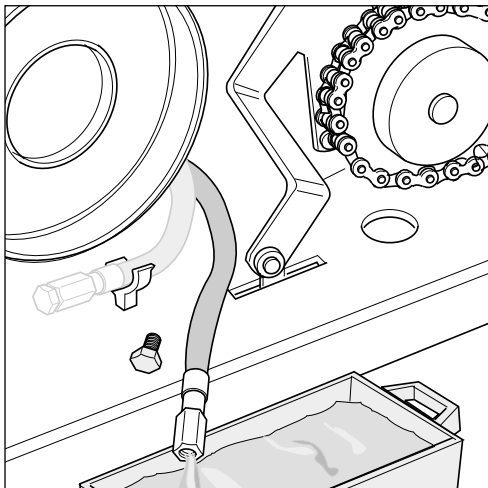


- Park the sweeper on a level surface.
- ← Pull out the dipstick.
- Wipe the dipstick clean and re-insert it in the filler hole.
- Pull out the dipstick again and check the result.
The oil level should be between the MIN and MAX marks.
If the oil level is below MIN – top up with oil.
If the oil level is above MAX – drain off the surplus.
- Insert the dipstick back into the filler hole.

Filling up with oil

- Pour engine oil type SAE 15W40 into the hole for the dipstick.

Changing the engine oil



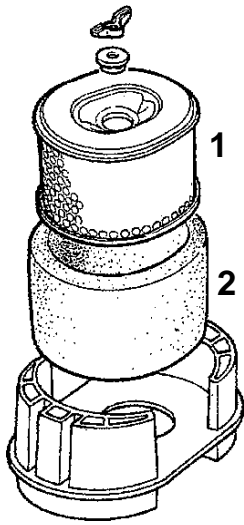
⚠ Caution! Danger to the environment from engine oil

After carrying out an oil change, ensure that the waste oil is passed to an appropriate collection point or official disposal company.

⚠ Caution,

- Run the engine until it reaches its normal operating temperature.
- Make sure the sweeper is standing on a level surface.
- Open the unit cover.
- Place a drip pan under the engine.
- ← Hold the end of the drain tube over the drip pan and let the old oil run out.
- Close off the end of the drain tube again.
- Pour engine oil into the filler hole.
Capacity = 1.1 litres
- Check the oil level with the dipstick – see “*Checking the oil level*”.
- Wipe up any oil spillage and dispose of the waste oil appropriately.

Cleaning or replacing the air cleaner



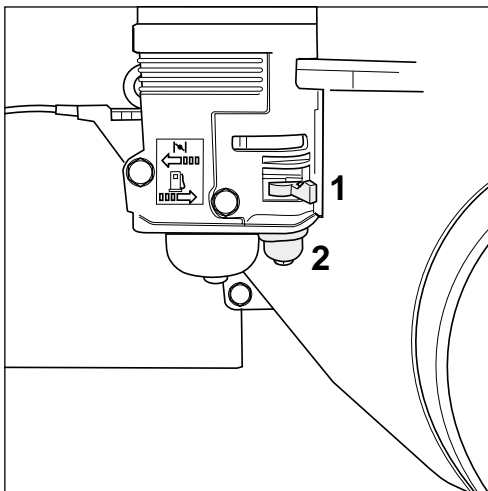
⚠ Do not run the engine without an air cleaner otherwise this will lead to increased wear on the engine

The air cleaner must be washed out more frequently if the engine is run in particularly dusty environment.

⚠ Do not wash the air cleaner in petrol or a cleaning solvent with a low flash point.

- **Paper insert 1:** Replace the insert if it is very dirty. Otherwise, blow compressed air through the insert from the inside to out or knock it against a hard surface. Do not brush it off, otherwise the dirt will be compacted between the fibres.
- **Foam insert 2:** Wash out the insert in a solution of washing-up liquid and warm water. Rinse it out and allow it to dry out thoroughly. Immerse the clean insert in engine oil and squeeze out the excess fluid. If too much oil is left in the insert, smoke will be given off by the engine when it is next started.

Cleaning the fuel filter holder



⚠ Petrol is highly flammable and under certain conditions it is also explosive. Do not smoke within the working area and keep away from open flames or sparks.

When the filter holder is refitted, check that it seals properly and make sure the whole area is dry before starting the engine.

- Set the fuel tap to OFF 1.
- Detach the filter holder and O-ring 2 and wash it out in a non-flammable or flame-resistant solvent. Allow the holder to dry out thoroughly and then screw it on tight.
- Set the fuel tap to OPEN. Check that there is no leakage.

Checking the hydraulic system

- Carry out a visual inspection. If there is any loss of fluid from the hydraulic unit, cylinder or hoses, call KÄRCHER Customer Service.

Safety information

which must be observed when handling batteries.



Comply with the user instructions and ensure that these are displayed at the charging station. Before the operator carries out any work on batteries, he/she must have received proper instruction from a suitably qualified person.



Wear safety goggles and protective clothing when working on batteries. Observe accident prevention regulations, as well as DIN VDE 0510, VDE 0105 Part 1.



Smoking is forbidden!

Make sure that there are no naked flames, other source of heat or sparks in the proximity of the battery, otherwise there is a danger of explosion or fire.



If electrolyte comes into contact with skin or eyes, rinse the affected area with plenty of clean water. The metal parts of battery cells are permanently live. Therefore do not place any tools or other objects on top of the battery.



Explosion and fire hazard! Avoid short-circuits.

Warning! The metal parts of battery cells are permanently live. Therefore do not place any tools or other objects on top of the battery.



Electrolyte is highly corrosive. Under normal operating conditions it is not possible for anything to come into contact with the electrolyte. If the battery housing is destroyed, the bound electrolyte that leaks out is just as corrosive as liquid electrolyte.



Pb

Return to manufacturer!

Exhausted batteries bearing this symbol are a re-usable resource which should be recycled accordingly. Exhausted batteries that are not intended to be recycled must be disposed of as hazardous waste in compliance with all relevant regulations.

Checking the level of electrolyte in the battery

Note: concerns only batteries which are not totally maintenance-free.

Check the level of electrolyte in batteries filled with acid. Make sure the battery is fully charged before you carry out the check. If required:

- Top up each cell with distilled water until the lead plates are covered by approx. 1 cm of liquid.

Charging the battery

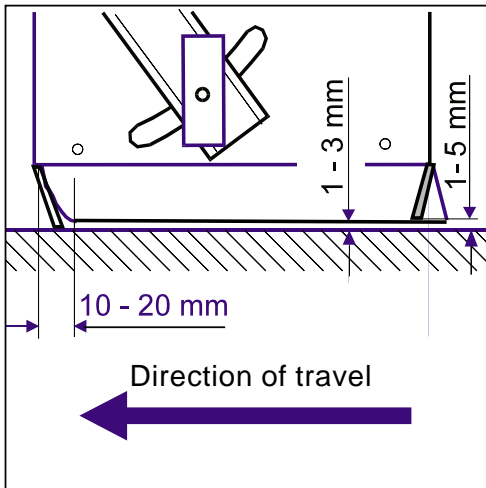
Note:

We recommend using the automatic battery charger (part no. 6.654-116) for starter batteries. Use only battery chargers with test certification mark.

Only undertake the charging procedure in dry, weather-protected areas.

- Bring machine to a halt, pull out ignition key
- Tip seat forwards and open unit cover
- Connect positive post (+) to battery charger (red pole clamp)
- Connect negative post (-) to battery charger (black pole clamp)
- Connect battery charger to mains power supply and switch on if applicable. Charging period as specified by the battery charger manufacturer.

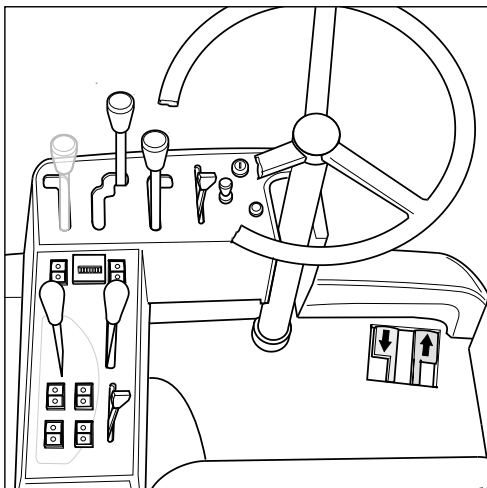
Replacing the sealing skirts



The sealing skirts fulfil an important function. They retain the partial vacuum in the area round the brushes which is essential so that the sweeper can function properly. They ensure that sweeping can take place without clouds of dust being formed at the same time. If the sealing skirts are damaged or worn out, they must be replaced immediately.

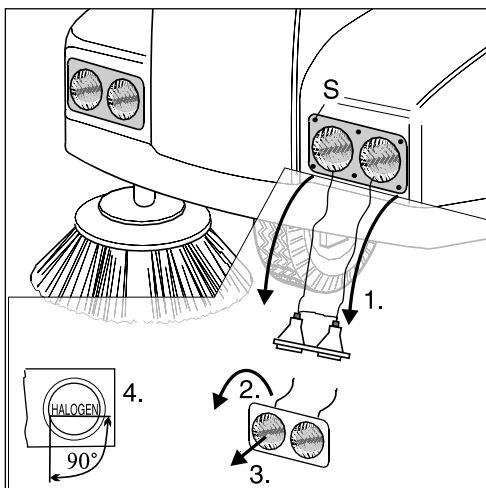
- Park the sweeper and switch off the engine.
- Remove the retaining screws and detach the sealing skirts.
- Fit new skirts, and align them as follows:
The side skirts should be adjusted so that they clear the ground by 1–3 mm.
The rear skirt should be adjusted so that they clear the ground by 1–5 mm.
- The front skirt cannot be adjusted. Replace the skirt as soon as you see signs of excessive wear.
- Tighten the retaining screws.

Replacing the side brush



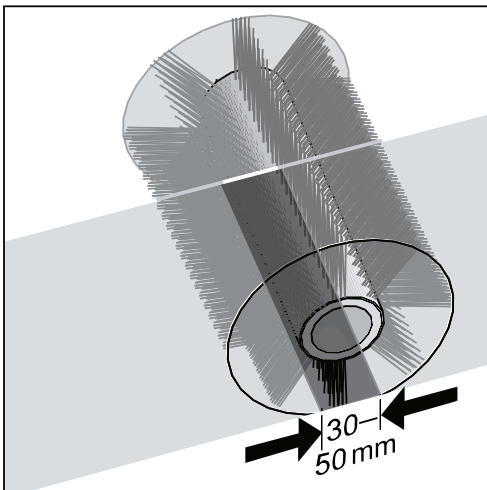
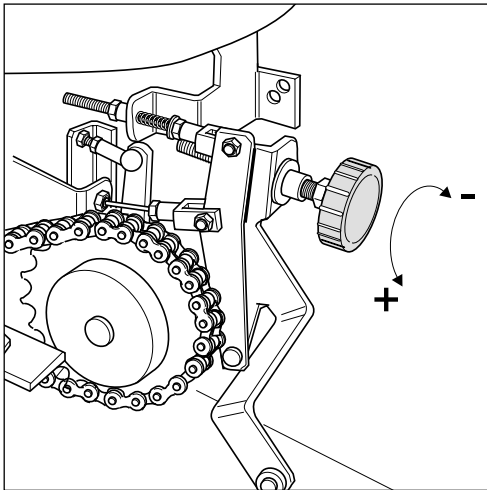
- Park the sweeper and switch off the engine.
- Raise the side brush.
- Remove the three hex-socket bolts (5 mm Allen key).
- Detach the side brush.
- Push the new side brush onto the drive pin.
- Refit and tighten the three hex-socket bolts.

Replace light unit



- Stop the machine and turn it off.
- Take out the ignition key.
- Undo 6 screws **S** on the panel.
- Remove the panel **1**.
- Unscrew the Phillips screw between the supports of the lamp holder on the defective headlight.
- Turn the lens of the defective headlight anti-clockwise about 1/4 of a turn **2** and take out reflector housing **3**.
- Replace light unit.
- Insert reflector housing with new light unit in panel again from below and secure with about 1/4 of a turn clockwise. Make certain it engages properly, the label HALOGEN on the headlight glass must be able to be read horizontally **4**.
- Screw in again the screw between the supports, then secure the panel with the 6 screws.

Adjusting the sweeping pattern



(only valid for main brush roller with "fixed setting")

- Open the unit cover and secure it in place.
- ◀ The sweeping pattern can be altered by turning the central adjusting knob.
 - To increase size of sweeping pattern: turn adjusting knob counter-clockwise (towards +).
 - To reduce size of sweeping pattern: turn adjusting knob clockwise (towards -).

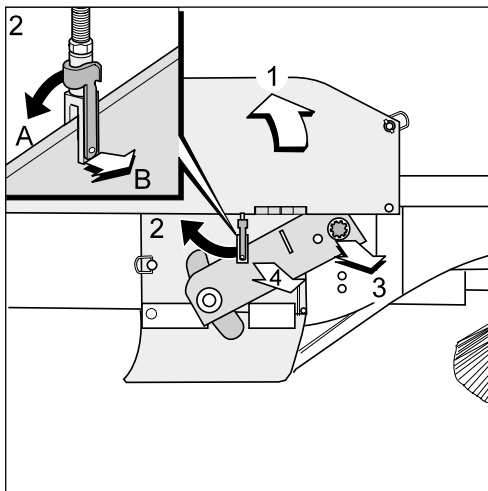
After any adjustments have been made, check the sweeping pattern.

- Drive the sweeper onto a dusty surface and apply the parking brake.
- Lower the main brush (lever set to middle position) and allow it to brush the floor for several seconds.
- Raise the main brush and drive backwards a short distance with the bulk waste flap open (first release the parking brake).
- The width of the sweeping pattern should be 30–50 mm.

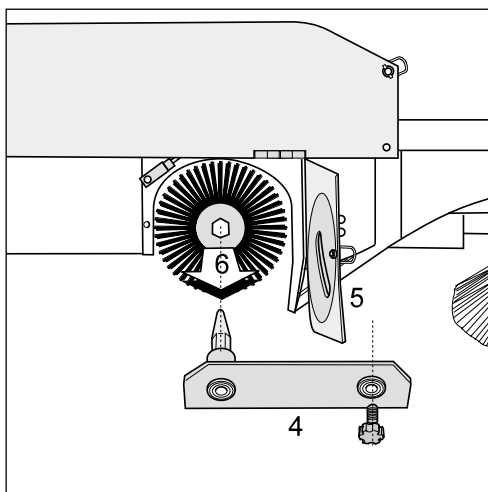
Note:

The shape of the sweeping pattern should not be trapezoidal. If it is, call customer service.

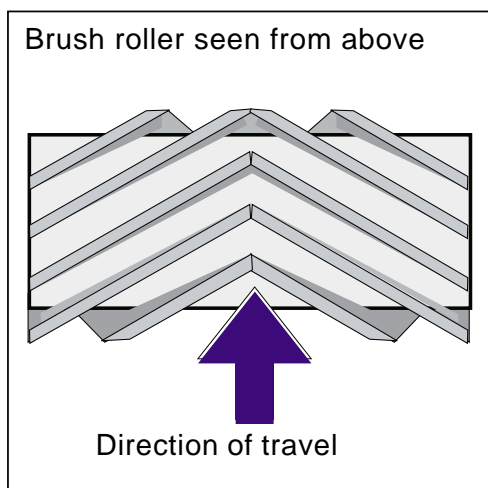
Replacing the main brush roller



- Park the sweeper and switch off the engine
- Lower the brush roller.
- Open the RH side flap **1** (seen in direction of travel).
- Undo the retaining bolt on the lower forked head **2** and swivel the push rod towards the rear.
- Unscrew the knurled knob **3**.
- Remove the oscillating linkage **4**.



- Open the flap over the end of the brush roller **5** (turn-lock fastener).
- Pull out the brush roller **6**.
- Screw in the knob for adjusting the sweeping pattern as far as it will go (clockwise, towards –).
- Fit the new brush roller in reverse order to the removal procedure.

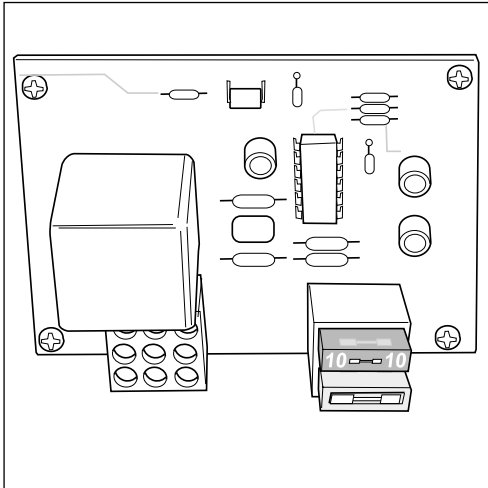


Note:

Make sure the bristles point in the right direction – see illustration.

- Set up the sweeping pattern by turning the adjusting knob – see “Adjusting the sweeping pattern”.

Replacing fuses

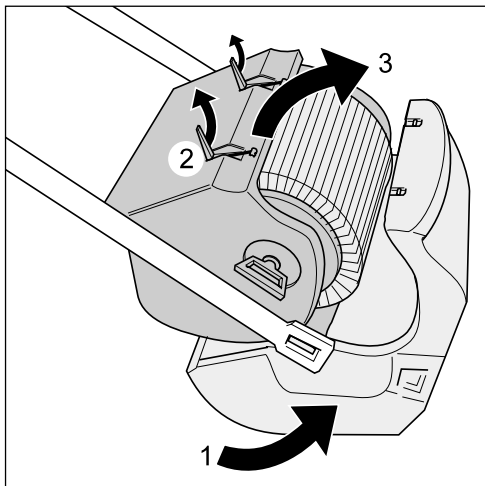


- Park the sweeper and switch off the engine.
- Open the unit cover.
- Replace a defective fuse with one of the same current value.

Note:

Repeated defects of the same fuse indicate a technical fault in the electrical system. Please call Kärcher Customer Service.

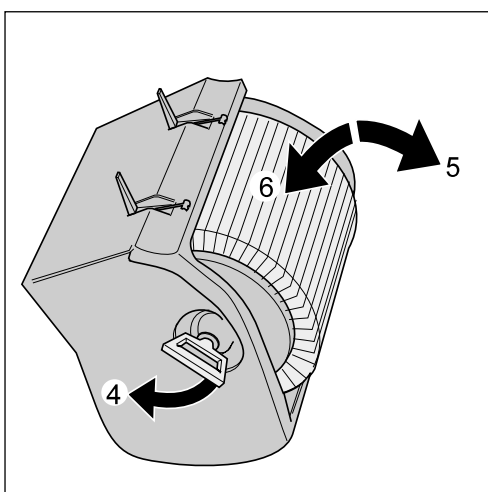
Replacing the dust filters



The dust filters should be inspected for damage every 50 operating hours.

A significant build-up of dust at the air outlet from the fan is a sign of a filter that is not fitted properly or is defective.

- Raise the hopper half way **1**.
- Release the catches on the filter box **2**.
- Swivel the filter box forwards and lift it off **3**.



- Open out the handle, pull it outwards and turn it through 90° (make sure it engages) **4**.
- Remove the filter cartridge **5**.
- Insert a new filter cartridge (pins should fit into the holes) **6**.
- Set the handle back to its original position and lock it. Make sure the filter is correctly seated.
- Mount the filter box and engage the catches.

Troubleshooting

Fault	Possible cause	Remedy
Engine does not start	Battery discharged	Re-charge or replace batteries
	No fuel in tank	Fill up with fuel
	Fuel tap closed	Open fuel tap
	Low oil level	Fill up with oil
Machine does not move	Hand lever (by-pass valve) on torque converter is at OFF	Set hand lever to ON - see chapter on pushing the sweeper by hand
Main brush roller and side brush	V-belt torn	Inform Customer Service
	V-belt too loose	Check V-belt tension and adjust
	Main brush roller or side brush blocked with tape or similar	Remove tape
Dust generation when sweeping	Seals on the machine worn, filter not installed correctly or defective	Replace seals, mount filter correctly/replace
	Lever for sweeping mode wet/dry set to wet	Set lever to "dry"
	Blower fan is not rotating	Check V-belt
	Filter is blocked	Clean or replace filter
Machine sweeps badly	Brushes worn out	Replace
	Waste hopper is full	Empty waste hopper
	Sweeping pattern wrongly adjusted	Adjust sweeping pattern
High-emptying does not function	Fuse defective	Change fuse or inform Customer Service
	Switch defective	Inform Customer Service
	Hydraulic unit is defective	Inform Customer Service
Machine moves forwards or backwards when drive pedal is released	Neutral position not correct	Inform Customer Service

Technical specificationsDimensions and weights

Length	1.650	mm
Width	1.000	mm
Height	1.270	mm
Unladen weight (ready for operation)	450	kg
Max. permissible overall weight	600	kg

* *Travel speed for driving in traffic should be reduced from 8 to 6 km/h and a 6 km/h sign displayed, or ABS (mounting kit) StVZO (vehicle construction and use regulations) (Order no. 2.638-754) displayed.*

Driving and sweeping performance

Max. travelling speed	8 *	km/h
Max. climbing ability/gradient	18	%
Effective sweeping width without side brush	750	mm
Effective sweeping width with 1 side brush	1.000	mm
Effective sweeping width with 2 side brushes	1.300	mm

Area rating (theoretical)

without side brush	6.000	m ² /h
with 1 side brush	8.000	m ² /h
with 2 side brushes	10.400	m ² /h

Waste container

Theoretical capacity	100	L
Max. usable capacity	80	L
Lifting height	1.430	mm
Filter surface area	6	m ²

Sweeping unit

Brush roller with V-shaped rows of bristles		
Diameter of brush roller	285	mm
Diameter of side brush	450	mm

Vehicle tyres

Pneumatic, diameter	300	mm
Type	4.00-4	
Air pressure, front	6	bar
Air pressure, rear	6	bar

Lighting

Light unit	DIN 49848
	HS3 6V/2.4 W

Engine

Model	Honda GX 270	
Type	4-stroke	
Cylinders	1	
Capacity	270	cm ³
Output (9 HP at 3600 r.p.m.)	6.6	kW
Fuel	petrol, regular (lead free)	

Engine oil

SAE15W40	1.1	L
----------	-----	---

Battery

12	Volt
44	Ah

Starter electric

Drive system

Maintenance-free, fully enclosed hydrostatically driven axle with differential

Hydraulic fluid

Class	DIN HVLP 51524/2
	46 c St /40 °C
Capacity *	1.4 L

* We recommend Wintershall Wiolan HX 46 Hydraulic Fluid.

Protection type	typedrip-proof	IPX3
-----------------	----------------	------

Ambient conditions

- temperature	-5 to + 40	°C
- air humidity, not wet with dew	0 – 90	%

Operating cycle

Under favourable conditions, the sweeper has an operating cycle of 3 hours with a full fuel tank at the start. The actual time is dependent upon several factors:

- surface structure of the ground and how level it is
- how well the sweeper has been maintained
- type of brush roller and its degree of wear.

Noise emission

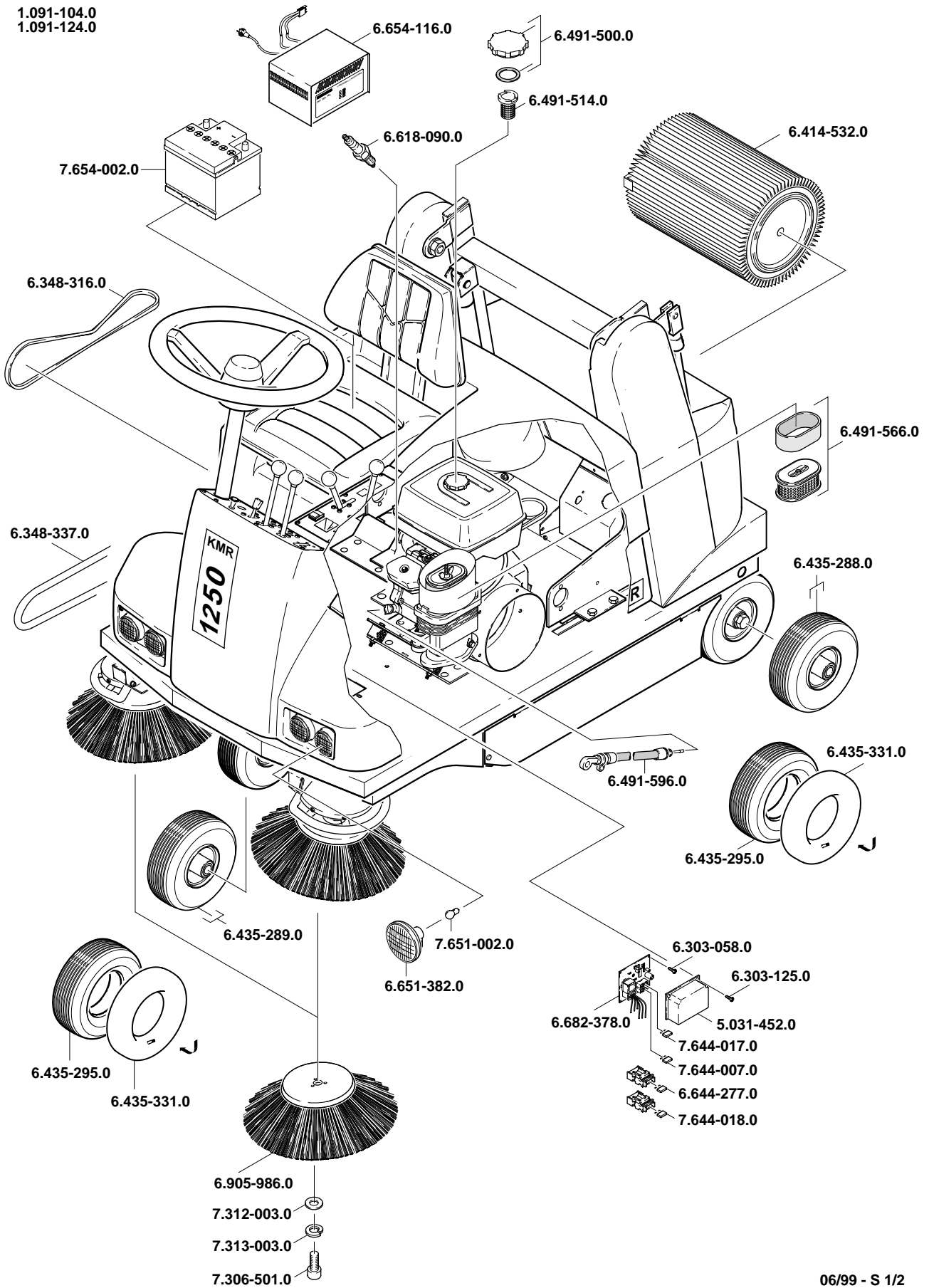
Sound level (EN 60704-1)	79	dB(A)
Guaranteed noise level (2000/14/EC)	101	dB(A)

Machine vibration

Rated vibration value (ISO 5349)	< 2,5	m/s ²
----------------------------------	-------	------------------

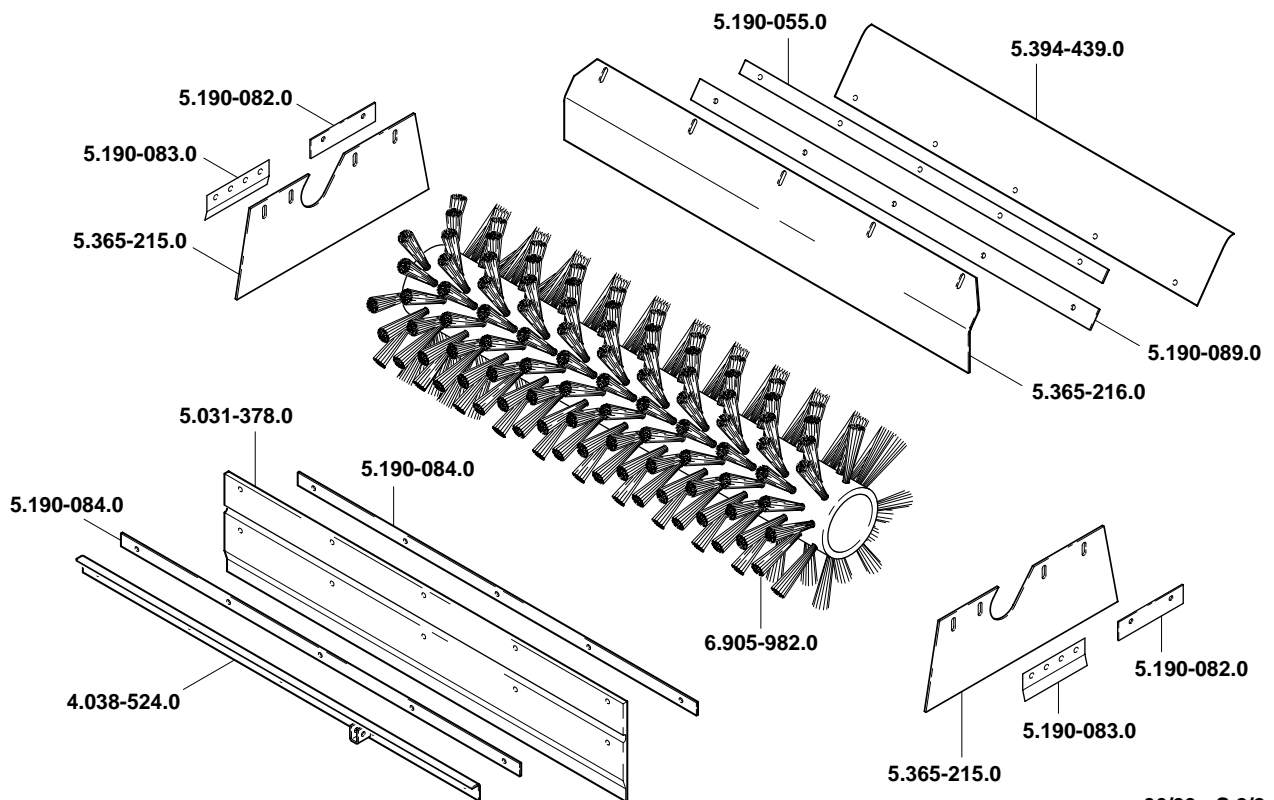
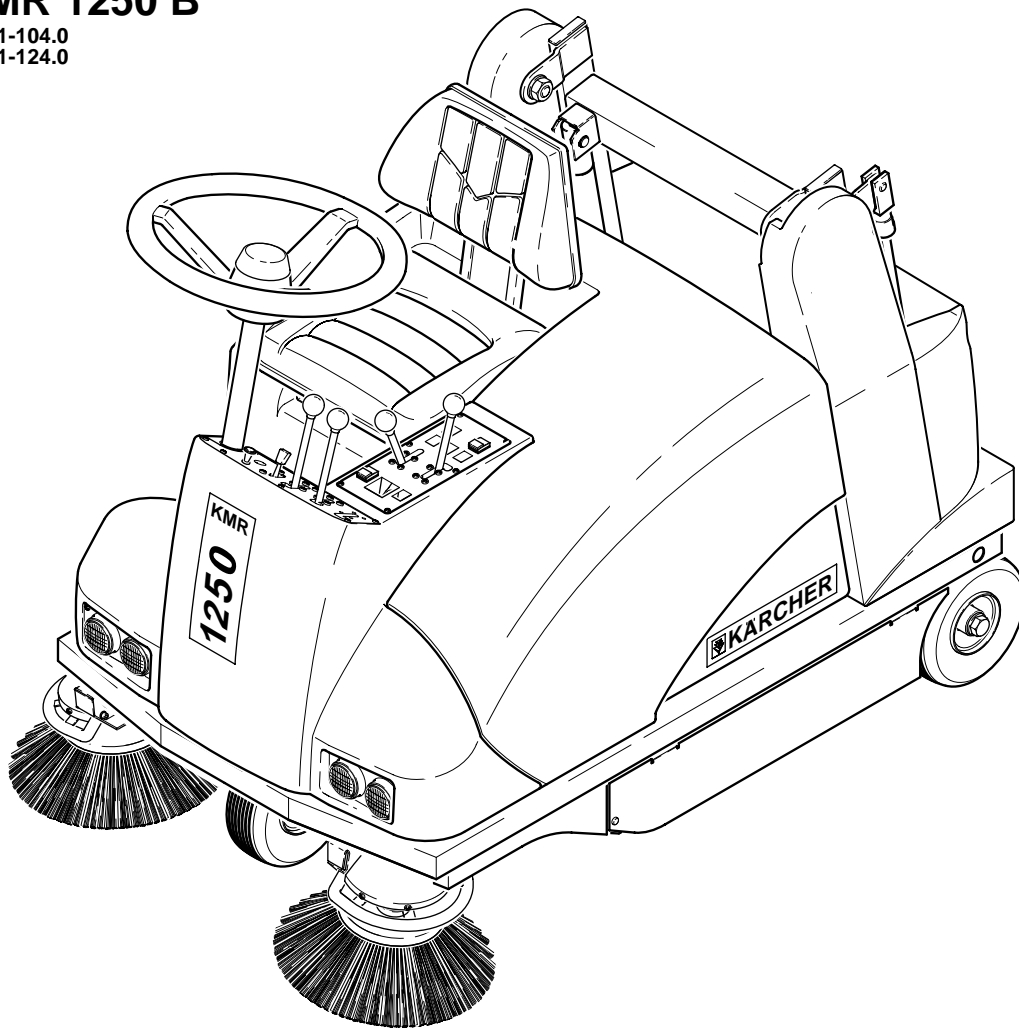
KMR 1250 B

1.091-104.0
1.091-124.0



KMR 1250 B

1.091-104.0
1.091-124.0



06/99 - S 2/2



EG - KONFORMITÄTSERKLÄRUNG

Hiermit erklären wir, daß die nachfolgend bezeichnete Maschine aufgrund ihrer Konzipierung und Bauart sowie in der von uns in Verkehr gebrachten Ausführung den einschlägigen grundlegenden Sicherheits- und Gesundheitsanforderungen den unten aufgeführten EG-Richtlinien entspricht. Bei einer nicht mit uns abgestimmten Änderung der Maschine verliert diese Erklärung ihre Gültigkeit.

Produkt: Kehrsaugmaschine / Aufsitzgerät

Typ: 1.091-xxx

Einschlägige EG-Richtlinien

EG-Maschinenrichtlinie (98/37/EG)
EG-Richtlinie Elektromagnetische Verträglichkeit (89/336/EWG) geändert durch 91/263/EWG, 92/31/EWG, 93/68/EWG
EG-Richtlinie über Geräuschemissionen (2000/14/EU)

Angewandte harmonisierte Normen:

DIN EN 60335-1, DIN EN 60335-2-72, DIN EN 55014-2:1997

Angewandte nationale Normen:

CISPR 12

Angewandtes Konformitäts- Bewertungungsverfahren

Anhang V

Gemessener Schalleistungsspegel:

99 dB(A)

Garantierter Schalleistungsspegel:

101 dB(A)

Prüfgrundsätze des Hauptverbandes der gewerblichen

Berufsgenossenschaft Kehrsaugmaschinen

Es ist durch interne Maßnahmen sichergestellt, daß die Seriengeräte

immer den Anforderungen der aktuellen EG-Richtlinien und den

angewandten Normen entsprechen.

Die Unterzeichnenden handeln im Auftrag und mit Vollmacht der

Geschäftsführung.



EU DECLARATION OF CONFORMITY

We hereby declare that the equipment described below conforms to the relevant fundamental safety and health requirements of the appropriate EU Directives, both in its basic design and construction as well as in the version marketed by us.
This declaration will cease to be valid if any modifications are made to the machine without our express approval.

Product: Sweeper / Ride-on unit

Model: 1.091-xxx

Relevant EU Directives:

EU Machinery Directive (98/37/EG)
EU Directive on Electromagnetic Compatibility (89/336/EWG) amended by 91/263/EWG, 92/31/EWG, 93/68/EWG
EU guideline on noise emissions (2000/14/EU)

Harmonised standards applied:

DIN EN 60335-1, DIN EN 60335-2-72, DIN EN 55014-2:1997

Relevant EU Directives:

CISPR 12

Applied conformity valuation method

Appendix V

Measured noise level:

99 dB(A)

Guaranteed noise level:

101 dB(A)

Appropriate internal measures have been taken to ensure that series-

production units conform at all times to the requirements of current EU

Directives and relevant standards.

The signatories are empowered to represent and act on behalf of the

company management.



DÉCLARATION DE CONFORMITÉ EUROPÉENNE

Par la présente, nous déclarons que la machine ci-après répond, de par sa conception et sa construction ainsi que de par le modèle que nous avons mis sur le marché, aux exigences de sécurité et d'hygiène en vigueur de la directive européenne.
En cas de modification de la machine effectuée sans notre accord, cette déclaration sera caduquée.

Produit: Balayeuse / machine autoporteuse

Type: 1.091-xxx

Directives européennes en vigueur:

Directive européenne sur les machines (98/37/EG)
Directive européenne sur la compatibilité électromagnétique (89/336/EWG) modifiée par 91/263/EWG, 92/31/EWG, 93/68/EWG
Directive CE relative aux émissions sonores (2000/14/UE)

Normes harmonisées appliquées:

DIN EN 60335-1, DIN EN 60335-2-72, DIN EN 55014-2:1997

Normes nationales appliquées:

CISPR 12

Procédure d'analyse de conformité utilisée

Annexe V

Niveau de puissance sonore mesuré:

99 dB(A)

Niveau de puissance sonore garanti:

101 dB(A)

La conformité permanente des appareils de série avec les exigences

consignées dans les directives actuelles de la CE et avec les normes

appliquées est garantie par des mesures internes.

Les soussignés agissent par ordre et avec les pleins pouvoirs de la

Direction commerciale.



DECLARATION OF CONFORMITY DE LA UNIÓN EUROPEA

Por la presente declaramos los abajo firmantes que la máquina designada a continuación cumple, tanto por su concepción y clase de construcción como por la ejecución que hemos puesto en circulación, las normas fundamentales de seguridad y protección de la salud formuladas en las directivas comunitarias correspondientes.
La presente declaración pierde su validez en caso de alteraciones en la máquina efectuadas sin nuestro consentimiento explícito.

Producto: Barredora de suelos

Modelo: 1.091-xxx

Directivas comunitarias aplicables:

Directiva comunitaria sobre máquinas (98/37/EG)
Directiva sobre compatibilidad electromagnética (89/336/EWG) modificada mediante 91/263/EWG, 92/31/EWG, 93/68/EWG
Normativa UE sobre emisiones de ruidos (2000/14/EU)

Normas armonizadas aplicadas:

DIN EN 60335-1, DIN EN 60335-2-72, DIN EN 55014-2:1997

Normas nacionales aplicadas:

CISPR 12

Proceso de valoración de conformidad utilizado

Anexo V

Nivel de potencia acústica medido:

99 dB(A)

Nivel de potencia acústica garantizado:

101 dB(A)

Mediante una serie de medidas internas, queda asegurado que los

aparatos y equipos de serie cumplen siempre las exigencias formuladas

en las directivas comunitarias actuales y en las normas

correspondientes a aplicar.

Los firmantes actúan autorizados y con poder otorgado por la dirección

de la empresa



Διάλυση πιστοτήτας εκ

Ειδική, δηλώνουμε με την παρούσα, ότι το μηχανήματα που χαρακτηρίζεται παρακάτω, λόγω του σχεδιασμού και του τρόπου κατασκευής, όπως και λόγω της παραλληλότητας που διατηρείται από μας στην αγορά, ανταποκρίνεται στις σχετικές βασικές απαιτήσεις ασφαλείας και υγείας των Οδηγών ΕΚ. Σε περίπτωση αλλαγών στο μηχανήματα χωρίς προηγούμενη συνεννόηση μαζί μας, παύει να ισχύει η παρούσα δήλωσή.

Προϊόν: Μηχανική σκούπα/ Μηχανική καθαρισμού με θέση για τον οδηγό

Τύπος: **1.091-xxx**

Σχετικός Οδηγός ΕΚ:
Οδηγός ΕΚ σχετικά με τις μηχανές (98/37/ΕΓ)
Οδηγός ΕΚ περί ηλεκτρομαγνητικής συμβατότητας (89/336/ΕΩΓ) που τροποποιήθηκε με την Οδηγία 91/263/ΕΩΓ, 92/31/ΕΩΓ, 93/68/ΕΩΓ
Οδηγός ΕΚ περί Εκπομπής Θορύβου (2000/14/ΕΕ)

Εναρμονισμένα πρότυπα που έχουν εφαρμοσθεί:
DIN EN 60335-1, DIN EN 60335-2-72, DIN EN 55014-2:1997
Εθνικά πρότυπα που έχουν εφαρμοσθεί:
CISPR 12

Εφαρμοσθείσα μέθοδος αξιολόγησης συμμόρφωσης
Παράρτημα V

Μετρήθειςσα στάθμη ακουστικής πίεσης:
99 dB(A)

Διασφαλισμένη στάθμη ακουστικής πίεσης:
101 dB(A)

Με ληφθέντα εσωτερικά μέτρα έχει εξασφαλισθεί, ότι οι συσκευές σειράς κατασκευής ανταποκρίνονται πάντα στις απαιτήσεις των επικείμενων οδηγιών ΕΚ και στα εφαρμοσθέντα πρότυπα. Οι υπογράφοντες ενεργούν με εντολή και κατόπιν εξουσιοδότησης της Γενικής Διεύθυνσης.



Ισjava o konformnostsi ES

S tem izjavljamo, da stroj, označen v nadaljevanju na podlagi koncepta in načina izdelave ter izvedbe, ki jo s tem dajemo v promet, zadošča ustreznim varnostnim in zdravstvenim zahtevam smernic ES, ki so navedene spodaj. V primeru izvajanja samovoljnih sprememb na stroju brez našega dovoljenja je ta izjava neveljavna.

Izdelek: Pometalni stroj / sedežem soferja

Tip: **1.091-xxx**

Ustrezne smernice ES
Strojne smernice ES (98/37/ES)
Smernice ES (89/336/EGS) spreminjena s 91/263/EGS, 92/31/EGS, 93/68/EGS
Smernica EU glede emisij hrupa (2000/14/EU)

Uporabljene usklajene standarde
DIN EN 60335-1, DIN EN 60335-2-72, DIN EN 55014-2:1997

Uporabljene nacionalni standardi
CISPR 12

Uporabljene postopek o ocenitvi skladnosti
Dodatek V

Izmerjen nivo proizvedenega hrupa:
99 dB(A)

Zagotovljen nivo proizvedenega hrupa:
101 dB (A)

Z internimi ukrepi zagotavljamo, da serijske naprave vedno ustrezajo aktualnim zahtevam smernic ES in uporabljenim standardom. Podpisniki ravnajo po narocilu in s pooblaštitom poslovodstva.



Prilášenie o zhode ES

Týmto prehlasujeme, že tento uvedený prístroj na základe svojej koncepcie a typu konštrukcie i v typu, ktorý sme uviedli do prevádzky, zodpovedá základným príslušným bezpečnostným a zdravotným požiadavkám dolu uvedených smerníc Európskych spoločností. V prípade zmeny, ktorú neschválime, stáva toto prehlásenie platnosť.

Produkt: Zametací stroj / stroj so sedadlom

Typ: **1.091-xxx**

Prilášene smernice ES
Strojárske smernice ES (98/37/EG)
Smernice ES Elektromagnetická kompatibilita (89/336/EGW) zmenené na základe 91/263/EGW, 92/31/EGW, 93/68/EGW
EG-Smernica vyžarovanie hluku (2000/14/EU)

Použitie harmonizačné normy
DIN EN 60335-1, DIN EN 60335-2-72, DIN EN 55014-2:1997

Použitie národné normy
CISPR 12

Použitá metóda ocenenia zhody:
Priloha V

Nameraná hladina akustického výkonu:
99 dB(A)

Garantovaná hladina akustického výkonu:
101 dB (A)

Na základe vnútorných opatrení je zaisťené, že sériové prístroje zodpovedajú vždy požiadavkám aktualných smerníc ES a použitým normám. Dolu podpísaní jednajú z poverenia a na základe plnej moci vedenia podniku.



izjava o sukladnosti s EU

Ovime izjavljamo da nize opisani stroj na temelju svoje koncepcije i izvedbe kao i naša izvedba koju smo dali u prodaju odgovara relevantnim osnovnim sigurnosnim i zdravstvenim zahtjevima nize navedenih odredaba Europske unije. U slučaju izmjene na stroju koja nije odgovorena s namia, ova izjava gubi svoju valjanost.

Proizvod: Stroj za smeae / stroj s vozačkim sjedabom

Tip: **1.091-xxx**

Relevantne odredbe Europske unije
Odredbe o strojevima Europske unije (98/37/EU)
EU-odredbe o elektromagnetskoj kompatibilnosti (89/336/EWG) zamljenjene sa 91/263/EWG, 92/31/EWG, 93/68/EWG
Odredbe EU emisija buke (2000/14/EU)

Prilimjenjene uskladene norme
DIN EN 60335-1, DIN EN 60335-2-72, DIN EN 55014-2:1997

Prilimjenjene nacionalne norme
CISPR 12

Prilimjenjeni postupak procjene konformnosti:
Dodatak V

Izmjerena razina buke:
99 dB(A)

Zajamčena razina buke:
101 dB (A)

Internim mjerama osigurano je da serijski uređaji uvijek odgovaraju zahtjevima aktualnih odredaba Europske unije i prilimjenim normama. Nize potpisani djeluju na osnovu naloga i punomoci uprave.



ЕО-обяснение за конформитет
С това ние обясняваме, че следващите машини на основание тяхното предназначение и строеж както и заложените от нас във връзка с изпълнението им основни изисквания за безопасност и здраве съответстват на долу изброените стандарти на ЕО.
При несъгласуване с нас промяна на машината това обяснение губи валидност.

Продукт: Машини за мелене / Възседателна машина

Тип: 1.091-xxx

Съответни ЕО-стандарти
ЕО-стандарти за машини (98/37/ЕО)
ЕО-стандарт за Електромагнитна съвместимост (89/336/ЕИО)
Променен чрез 91/263/ЕИО, 92/31/ЕИО, 93/68/ЕИО
ЕО-Предписане Емисия на шум (2000/14/ЕУ)

Използувани стандарти за хармоничност
DIN EN 60335-1, DIN EN 60335-2-72, DIN EN 55014-2:1997

Използувани национални стандарти
CISPR 12

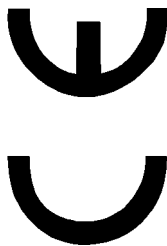
Използувани методи за оценка на съответствието: Приложение V

Измерено ниво на звуковата мощност:
99 dB(A)

Гарантирано ниво на звуковата мощност:
101 dB (A)

Осигурено е чрез вътрешни мероприятия, така че серийните уреди винаги да съответстват на изискванията на актуалните ЕО-стандарти и използваните стандарти. Подписващият действува по горь-ча и с пълномощие на ръководството на предприятието.

KÄRCHER



5.957 501 (01/02)

Alfred Kärcher Kommanditgesellschaft,
Stz. Winnenden, Registergericht: Waiblingen, HRA 169,
Persönlich haftende Gesellschaftersin: Kärcher Reinigungstechnik
GmbH, Stz. Winnenden, 2404 Registergericht Waiblingen, HRB

Geschäftsführer:
Dr. Bernhard Graf, Hartmut Jenner, Georg Metz

Alfred Kärcher GmbH & Co.
Cleaning Systems
Alfred-Kärcher-Strasse 28-40
P.O.Box 160
D-71349 Winnenden
Tel.: ++49 7195 140
Fax: ++49 7195 14-2212

(Reiser Jenner)

Free Manuals Download Website

<http://myh66.com>

<http://usermanuals.us>

<http://www.somanuals.com>

<http://www.4manuals.cc>

<http://www.manual-lib.com>

<http://www.404manual.com>

<http://www.luxmanual.com>

<http://aubethermostatmanual.com>

Golf course search by state

<http://golfingnear.com>

Email search by domain

<http://emailbydomain.com>

Auto manuals search

<http://auto.somanuals.com>

TV manuals search

<http://tv.somanuals.com>