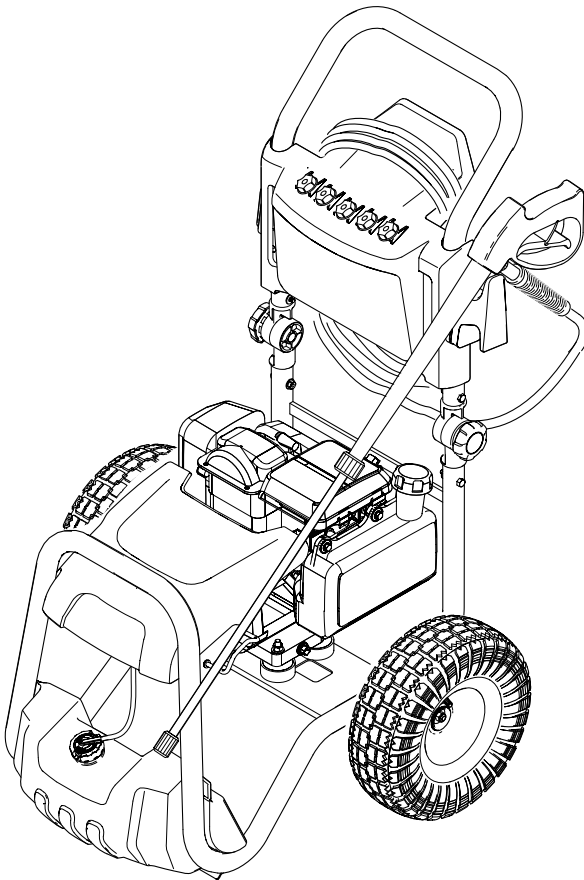




# G 3000 BH



<i>English</i>	2
<i>Español</i>	19
<i>Français</i>	39

# HIGH PRESSURE WASHER OPERATOR MANUAL

Model Overview	3
Important Safety Instructions	4
Assembly Instructions	5
Operating Instructions	10
Using the Accessories	11
Working with Detergents	11
Taking a Break	13
Shutting Down & Clean-Up	13
Winterizing and Long-Term Storage	14
Maintenance Instructions	14
Cleaning Tips	15
Troubleshooting	17

## Specifications

Operating pressure	3000 PSI
Water volume	2.5 GPM
Detergent suction	0.05 - 0.10 GPM
Engine	6.0 HP Honda GC 190
Part No.	1.194-601.0
Serial no.	

## Safety Alert Symbols

### **⚠ DANGER**

*indicates "an imminently hazardous situation which, if not avoided, will result in death or serious injury."*

### **⚠ WARNING**

*indicates "a potentially hazardous situation which, if not avoided, could result in death or injury."*

### **⚠ CAUTION**

*indicates "a potentially hazardous situation which, if not avoided, may result in minor or moderate injury or in property damage incidents."*

## Owner/User Responsibility

The owner and/or user must have an understanding of the manufacturer's operating instructions and warnings before using this pressure washer.

Warning information should be emphasized and understood.

If the operator is not fluent in English, the manufacturer's instructions and warnings shall be read to and discussed with the operator in the operator's native language by the purchaser/owner, making sure that the operator comprehends its contents.

Owner and/or user must study and maintain for future reference the manufacturer's instructions.

## Kärcher Customer Support USA

Call: **1-800-537-4129** for help or visit our website:

**[www.karcher-usa.com/home](http://www.karcher-usa.com/home)**

Please take a moment to register your pressure washer online at

**[www.karcher-usa.com/warranty](http://www.karcher-usa.com/warranty)**

## Kärcher Customer Service CDN

Call: **1-800-465-4980** for help or visit our website:

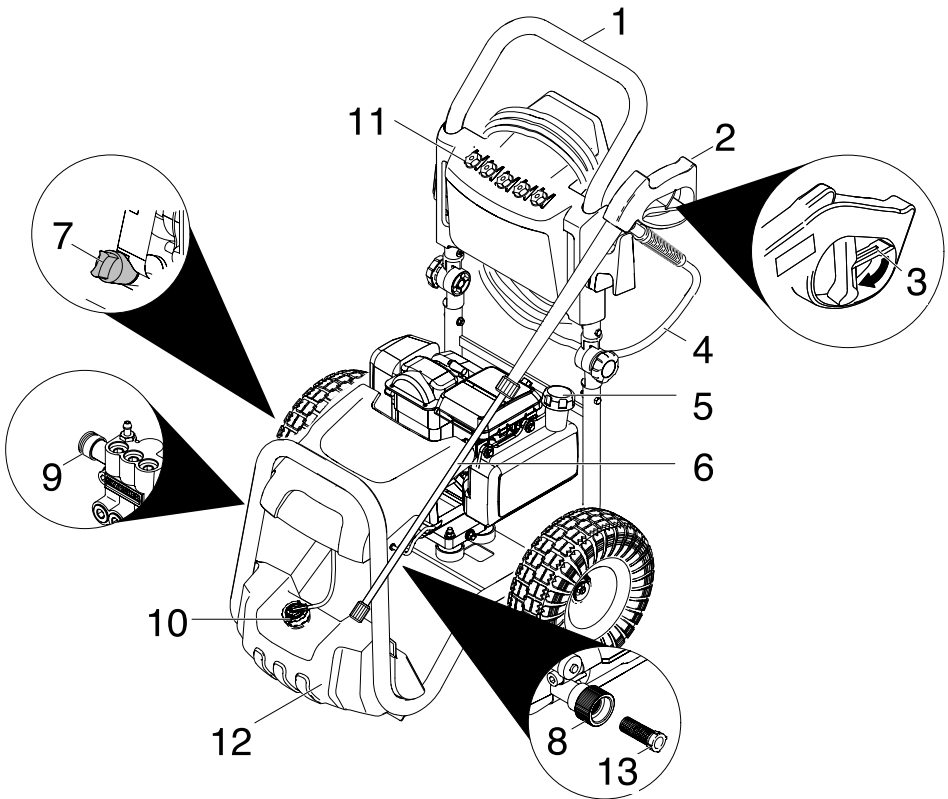
**[www.karcher-canada.com](http://www.karcher-canada.com)**

## Kärcher Customer Support Mexico

Call: **01-800-024-13-13** for help or visit our website: **[www.karcher.com.mx](http://www.karcher.com.mx)**

## MODEL OVERVIEW

- |   |  |    |   |
|---|--|----|---|
| 1 | Handle                                 | 9  | High pressure outlet                              |
| 2 | Trigger gun                            | 10 | Detergent dosing valve and detergent suction tube |
| 3 | Trigger gun safety lock                | 11 | Quick connect nozzles                             |
| 4 | High pressure hose                     | 12 | Detergent tank                                    |
| 5 | Gas tank                               | 13 | Water inlet filter                                |
| 6 | Spray wand                             |    |   |
| 7 | Dipstick                               |    |   |
| 8 | Water inlet with garden hose connector |    |   |
- For engine details see engine manual.*



## IMPORTANT SAFETY INSTRUCTIONS

- *Read the operating instructions of the engine manufacturer before start-up and follow the safety instructions carefully.*
- ⚠ WARNING**
- When using this product basic precautions should always be followed, including the following:*
- *Read all the instructions before using the product.*
  - *To reduce the risk of injury, close supervision is necessary when a product is used near children.*
  - *Know how to stop the product and bleed pressures quickly. Be thoroughly familiar with the controls.*
  - *Stay alert – watch what you are doing.*
  - *Do not operate the product when fatigued or under the influence of alcohol or drugs.*
  - *Keep operating area clear of all persons.*
  - *Do not overreach or stand on unstable support. Keep good footing and balance at all times.*
  - *Wear safety goggles.*
  - *Follow the maintenance instructions specified in the manual.*
- ⚠ WARNING**
- Risk of Injection or Injury – Do Not Direct Discharge Stream At Persons.*
- *High pressure jets can be dangerous if misused. The jet must not be directed at persons, animals, electrical devices, or the unit itself.*
  - *Do not spray electrical connections, electrical outlets or fixtures.*
- ⚠ WARNING**
- Risk Of Explosion – Do not spray flammable liquids.*
- *Do not use acids, alkaline, solvents, or any flammable material in this product. These products can cause physical injuries to the operator and irreversible damage to the machine.*
- ⚠ WARNING**
- Gun Kicks Back – Hold with both hands.*
- *The Trigger Gun Safety Lock prevents the trigger from accidentally being engaged. This safety feature DOES NOT lock trigger in the ON position.*
- ⚠ CAUTION**
- Risk of Asphyxiation – Use this product only in a well ventilated area.*
- *Operate and fuel machine in a well ventilated area, free of devices featuring an open pilot or flame such as boilers, water heaters, etc.*
- ⚠ CAUTION**
- Risk of Fire – Do not add fuel when the product is operating.*
- *Do not operate if fuel has been spilled. Instead, move the machine to a different location and avoid creating sparks.*
  - *The machine has hot surfaces which can cause burns. Operate the unit in a safe environment and away from children.*
  - *Do not touch hot surfaces or allow accessories to contact hot surfaces.*
  - *Do not allow the high pressure hose to come into contact with the muffler guard.*
  - *Do not leave the machine running unattended.*
  - *Avoid tipping the machine on its side.*

**SAVE THESE INSTRUCTIONS**

## WATER SUPPLY (Cold Water Only)

### ⚠ CAUTION

*When connecting the water inlet to the water supply mains, local regulations of your water company must be observed. In some areas the unit must not be connected directly to the public drinking water supply. This is to ensure that there is no feedback of chemicals into the water supply. Direct connection via a receiver tank or backflow preventer, for example, is permitted.*

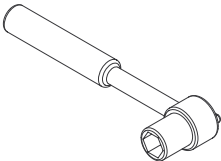
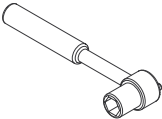
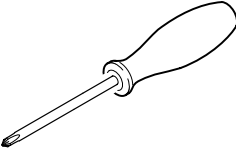
*Dirt in the feed water will damage the unit. To avoid this risk, we recommend fitting a water filter.*

- Garden hose must be at least 5/8 inch in diameter.




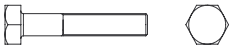

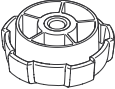
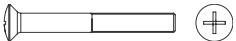

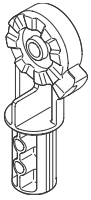
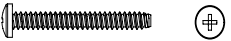

- Flow rate of water supply must not fall below 2.8 GPM (gallons per minute).
- Flow rate can be determined by running the water for one minute into an empty 5-gallon container.
- The water supply temperature must not exceed 104°F/40°C.
- Never use the pressure washer to draw in water contaminated with solvents, e.g. paint thinners, gasoline, oil, etc.
- Always prevent debris from being drawn into the unit by using a clean water source.
- Do not operate pressure washer without the water turned on.

## ASSEMBLY INSTRUCTIONS

### Required Tools (not included)

Description	
1/2" (or 13mm) Socket Wrench	
7/16" (or 11mm) Socket Wrench	
Phillips Srew-Driver Size #2	

## Hardware (included)

	Description	Purpose	Illustration	Qty
A	5/8" nut	Wheel assembly		2
B	1/4" nut	Detergent tank / joint assembly		4
C	5/8" washer	Wheel assembly		2
D	1/4" bolt	Joint assembly		2
E	5/16" bolt	Joint assembly		2
F	Knob	Joint assembly		2
G	1/4" screw	Detergent tank		2
H	1/4" washer	Detergent tank		2
I	Joint	Joint assembly		2
J	Screw (self tapping)	Accessory holder assembly		4
K	Hook	Accessory holder assembly		1

## Assembling

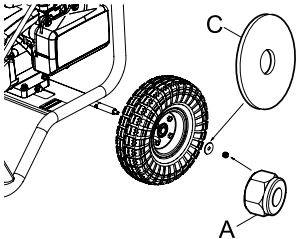
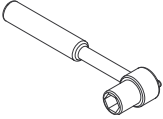
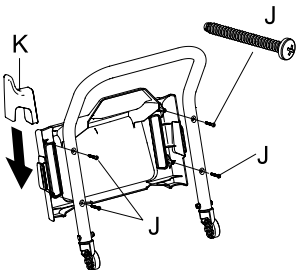
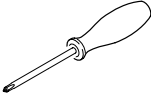
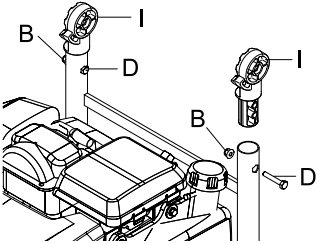
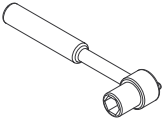
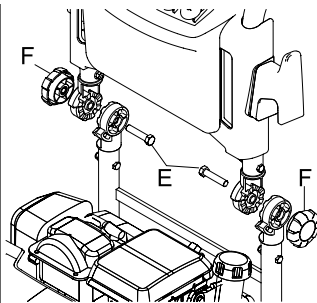
Illustration	Description	Tools required
<p><b>1.</b></p> 	<p>Position wheels onto each axle followed by the washer <b>(C)</b> and then the nut <b>(A)</b>. Hand tighten with 1/2" (or 13mm) socket wrench.</p>	<p>1/2" wrench or use alternative size 13mm.</p> 
<p><b>2.</b></p> 	<p>Attach accessory plate to top handle. Align the holes on the plate to the holes on the plate to the holes on the frame. Hand tighten screws <b>(J)</b>. Attach hook <b>(K)</b>.</p>	<p>Phillips Srew- Driver Size #2</p> 
<p><b>3.</b></p> 	<p>Assemble joints <b>(I)</b> to base portion of frame. Use one 1/4" nut <b>(B)</b> and tighten with one 1/4" bolt <b>(D)</b> and tighten with one 1/4" nut <b>(B)</b> for each side. Hand tighten.</p>	<p>7/16" wrench or use alternative size 11mm.</p> 
<p><b>4.</b></p> 	<p>Attach the handle to the frame of the pressure washer. Align holes, insert one 5/16" bolt <b>(E)</b>, and tighten the knob <b>(F)</b> for each side.</p>	<p>none</p>

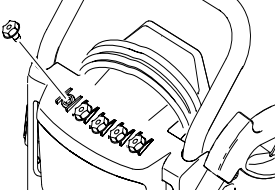
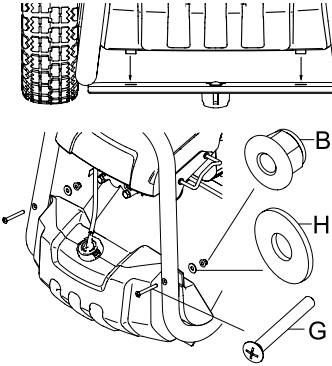
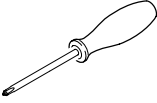
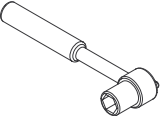
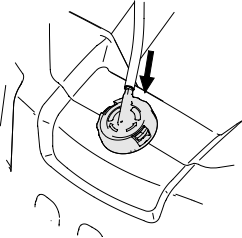
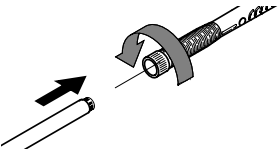
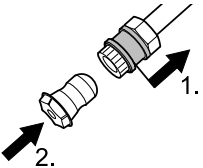
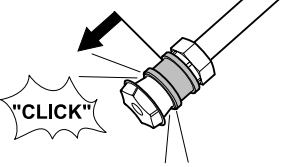
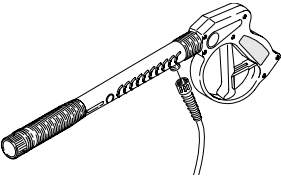
Illustration	Description	Tools required
<p>5.</p> 	<p>Place the quick connect nozzle in the nozzle holder. The holders use a snap forward feature.</p> <p>Push down and snap the nozzle forward until you hear it click into place.</p> <p>This feature allows you to fold the handle backward with the nozzles remaining securely in place.</p>	<p>none</p>
<p>6.</p> 	<p>Mount the detergent tank by sliding the tank into position from either left side or right side of the frame.</p> <p>Align the tank into the grooves found on the support beam below. Be sure the tank rests against the frame snugly before tightening the supplied 1/4" screw (<b>G</b>), washer (<b>H</b>) and nut (<b>B</b>).</p> <p>B - nut (2 pieces)  H - washer (2 pieces)  G - screw (2 pieces)</p>	<p>Phillips Screw-Driver Size #2</p>  <p>7/16" wrench or use alternative size 11mm.</p> 
<p>7.</p> 	<p>Attach the siphon tube from the pump to the detergent dosing valve.</p>	<p>none</p>
<p>8.</p> 	<p>Attach the wand to the spray gun.</p>	<p>none</p>



Illustration	Description	Tools required
<p>9.</p> 	<p>Pull back the springloaded collar on the end of the wand to insert your choice of quick connect nozzle.</p>	<p>none</p>
<p>10.</p> 	<p>Release the collar and push the nozzle until the collar clicks.</p>	<p>none</p>
<p>11.</p> 	<p>Attach the high pressure hose to the spray gun.</p>	<p>none</p>

# OPERATING INSTRUCTIONS

## **CAUTION**

*Do not run the engine with a high or low oil level as this can cause engine damage.*

*If you have further questions regarding the engine, please refer to the engine manual included with the unit.*

### → **STEP 1:**

Check oil level. Oil level should always be between the "FULL" and "ADD" marks on the dipstick.

Be sure the machine is level when checking the oil level. (Refer to the engine's operating manual for seasonal grades.)

*We recommend that the oil be changed after the first 5 hours of use, then once every 25 hours.*

### → **STEP 2:**

Fill gas tank with unleaded gasoline.  
***Do not use leaded gasoline.***

### → **STEP 3:**

Connect the high pressure hose to the unit's high pressure outlet.

### → **STEP 4:**

Connect garden hose to unit's water inlet.

### → **STEP 5:**

Connect garden hose to the cold water source and turn water on completely.

***Do not use hot water.***

### → **STEP 6:**

Unlock the trigger gun safety lock. Trigger the gun to eliminate trapped air, wait for a steady flow of water to emerge from the spray nozzle.

### → **STEP 7:**

#### **Initial Start:**

Pull the choke rod to the CLOSED position.

#### **Starting a Warm engine:**

If the engine has run out of fuel, set choke rod to the CLOSED position after refueling. If the engine has not run out of fuel, leave the choke rod in the OPEN position.

### → **STEP 8:**

#### **Engine with manual throttle:**

Slide the throttle lever away from the SLOW position, about 1/3 of the way toward the FAST position.

#### **Engine with fixed throttle:**

Move the engine stop switch to the ON position.

*For engine details see engine manual.*

### → **STEP 9:**

Pull the starter handle.

If the engine fails to start after 3 pulls, squeeze the trigger gun to release pressure, and repeat step.

After the engine warms up enough to run smoothly, move choke rod to OPEN position and throttle to FAST position.

## USING THE ACCESSORIES

### ⚠ **WARNING**

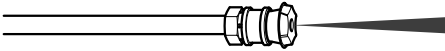
To avoid serious injury never point spray nozzle at yourself, other persons or animals.

### Quick connect nozzles

The color-coded quick connect nozzles provide a wide array of spray widths from 0° to 65° and are easily accessible when placed in the convenient rubber nozzle grommets.

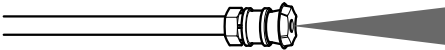
#### 0° spray angle = Red nozzle

For particularly stubborn accumulation of grime. **Not recommended** for soft materials like sidings, decks, painted surfaces, cars.



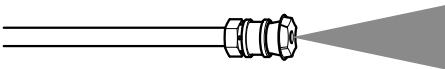
#### 15° spray angle = yellow nozzle

For dirt accumulation over a surface.



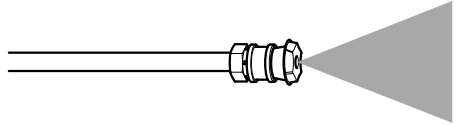
#### 25° spray angle = Green nozzle

For dirt accumulation over a large surface.



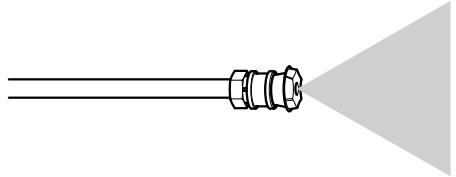
#### 40° spray angle = White nozzle

For moderate dirt accumulation over a large surface.



#### 65° spray angle = Black detergent nozzle

For operating with detergent or cleaning with negligible pressure.



### ⚠ **WARNING**

High pressure in nozzle area.

Risk of injury caused by improperly locked nozzle.

- Make sure you hear a 'click' when inserting the nozzle tip into the wand.
- Pull the nozzle to make sure it is seated properly before operating your unit.

(See ASSEMBLY INSTRUCTIONS: Step 9 and Step 10)

## WORKING WITH DETERGENTS

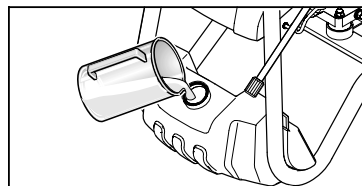
**Detergents can only be applied with the black detergent nozzle.**

### → **STEP 1:**

Install the black detergent nozzle for detergent application (will work at low pressure only).

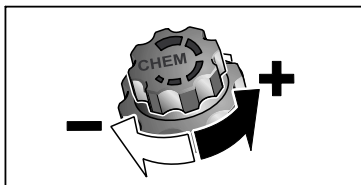
### → **STEP 2:**

Fill the detergent tank with Kärcher detergent. Close the detergent tank with the detergent dosing valve.



→ **STEP 3:**

Adjust the detergent dosing valve to the desired dosage



→ **STEP 4:**

With the engine running, pull trigger to operate unit.

*Liquid detergent is drawn into the unit and mixed with water.*

Apply detergent to work area.

Do not allow detergent to dry on surface.

→ **STEP 5:**

**Always** draw fresh water through the detergent suction tube when the cleaning job is done, to rinse/flush any remaining detergents from the injection system.

**For best results see Cleaning Tips for specific information on how to clean different surfaces.**

## Detergents

**⚠ CAUTION**

*This unit has been designed for use with cleaning detergents recommended by the manufacturer. The use of other cleaning detergents may affect the operation of the machine and void the warranty.*

**Always Use Kärcher Detergent for Best Results**

Kärcher biodegradable detergents are specially formulated to protect the environment and your pressure washer. The special formula won't clog the suction tube filter and will protect the internal

parts of the pressure washer for a longer life. For Kärcher Detergents, check your retailer or visit our website: [www.karcher-usa.com/home](http://www.karcher-usa.com/home)

**Kärcher detergents available in USA / Mexico:**

- All Purpose & Vehicle Cleaner
- Exterior House Cleaner
- Deck & Patio Cleaner
- Heavy Duty Degreaser

**Kärcher detergents available in Canada:**

- Vehicle Wash
- Pressure Wash
- Deck & Fence Wash
- Degreaser

**⚠ CAUTION**

**Never use:**

- Bleach, Chlorine products and other corrosive chemicals
- Liquids containing solvents (i.e., paint thinners, gasoline, oils)
- Tri-sodium phosphate products
- Ammonia products
- Acid-based products

These chemicals will harm the unit and will damage the surface being cleaned.

**Use of these items will void the warranty.**

## TAKING A BREAK ..five minutes or more

### → STEP 1:

#### **Engine with manual throttle:**

Move the throttle lever to the SLOW position. Allow the engine to idle for a few seconds, then move the throttle lever to the STOP position.

#### **Engine with fixed throttle:**

Move the engine stop switch to the OFF position.

*For engine details see engine manual.*

### → STEP 2:

Release trigger and engage gun safety lock.

## SHUTTING DOWN & CLEAN-UP

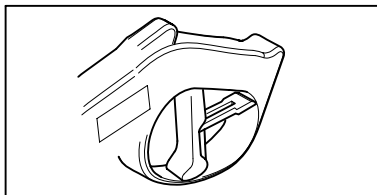
### → STEP 1:

**Cleaning up:** Always draw fresh water through the detergent tank or siphon tube when done to flush any remaining detergents from the injection system.

Siphon water at low pressure for one minute.

### → STEP 5:

Release trigger and engage gun safety lock.



### → STEP 2:

#### **Engine with manual throttle:**

Move the throttle lever to the SLOW position. Allow the engine to idle for a few seconds, then move the throttle lever to the STOP position.

#### **Engine with fixed throttle:**

Move the engine stop switch to the OFF position.

### → STEP 6:

Disconnect the garden hose from the water inlet on the unit.

### → STEP 7:

Disconnect the high pressure hose from the high pressure outlet.

### → STEP 3:

Turn off the water source.

### → STEP 4:

Press trigger to release water pressure.

## WINTERIZING AND LONG-TERM STORAGE

- **1:** Disconnect all water connections.
- **2:** Turn on the machine for a few seconds, until the water which had remained in the pump exits, turn off immediately.
- **3:** Do not allow high pressure hose to become kinked.
- **4:** Store the machine and accessories in a room which does not reach freezing temperatures. **DO NOT** store near furnace or other sources of heat as it may dry out the pump seals.

### **⚠ CAUTION**

*Failure to follow the above directions will result in damage to the pump assembly and accessories.*

*Kärcher also recommends the regular practice of using a pump protector like "Kärcher Pump Guard" to help during storage in the winter months.*

## MAINTENANCE INSTRUCTIONS

### **Kärcher pump**

#### **Initial Use**

All Kärcher pumps ship with oil already inside direct from the factory. There is no need to add oil.

#### **Pump Inspection**

You should routinely make a visual inspection of the pressure washer's pump. If you notice oil leaking around the pump seals, you should take the pressure washer to a Kärcher-Authorized Service Center for repair. (You can locate a service center in your area online at [www.karcher-usa.com/service](http://www.karcher-usa.com/service).)

#### **Pump Maintenance**

The pump on your Kärcher pressure washer does not require maintenance. Any attempts to service or alter the pump may damage your pressure washer and void your product warranty.

### **Engine**

Carry out maintenance tasks for the engine according to the specifications provided in the operating instructions provided by engine manufacturer.

## CLEANING TIPS

### Deck Cleaning

**(with or without detergent).** Pre-rinse deck and surrounding area with fresh water. If using Kärcher Deck Wash, apply to surface at low pressure. For best results, limit your work area to smaller sections of approximately 25 square feet. Allow Deck Wash to remain on surface 1-3 minutes. Do not allow detergent to dry on surface. Rinse at high pressure in a long sweeping motion keeping the spray nozzle approximately 3-6 inches from the cleaning surface. Always clean from top to bottom and from left to right. When moving on to a new section of the cleaning surface, be sure to overlap the previous section to eliminate stop marks and ensure a more even cleaning result.

#### ⚠ CAUTION

*Do not use Dirtblaster spray nozzle on wood surface as it may cause damage.*

sweeping motion keeping the spray nozzle approximately 6 inches from the cleaning surface.

#### ⚠ CAUTION

*Do not use Dirtblaster spray nozzle on siding as it may cause damage.*

### Cement Patios, Brick and Stone

**(with or without detergent).** Pre-rinse cleaning surface with fresh water. If using Kärcher Pressure Wash or Degreaser, apply to surface at low pressure. For best results, limit your work area to smaller sections of approximately 25 square feet. Allow Pressure Wash or Degreaser to remain on surface 1-3 minutes. Do not allow detergent to dry on surface. Rinse at high pressure in a sweeping motion keeping the spray nozzle approximately 3-6 inches from the cleaning surface. Always clean from top to bottom and from left to right. For removing extremely stubborn stains, use the Dirtblaster Nozzle.

### House Siding

**(with or without detergent).** Pre-rinse cleaning surface with fresh water. If using Kärcher Pressure Wash, apply to surface at low pressure (for best results, limit your work area to sections of approximately 6 feet and always apply detergent from bottom to top). Allow Pressure Wash to remain on surface 1-3 minutes. Do not allow detergent to dry on surface, if surface appears to be drying, simply wet down surface with fresh water. If needed, use special wash brush attachment (not included) to remove stubborn dirt. Rinse at high pressure from top to bottom in an even

### Cars, Boats & Motorcycles

**(with or without detergent).** Pre-rinse vehicle with fresh water. If using Kärcher Touchless Vehicle Wash, apply to surface at low pressure. For best results, clean one side of vehicle at a time and always apply detergent from bottom to top, do not allow detergent to dry on surface. If needed, use special wash brush attachment (not included) to remove stubborn dirt. Rinse at high pressure in a sweeping motion keeping the spray nozzle approximately 6-8 inches from the cleaning surface (distance should increase when rinsing pin-striping or other sensitive surfaces). Always

clean from top to bottom and from left to right. For best results, wipe surface dry with a chamois or soft dry cloth.

**⚠ CAUTION**

*Do not use Dirtblaster spray nozzle on vehicles as it may cause damage.*

### Barbecue Grills, Outdoor Power Equipment & Gardening Tools

**(with or without detergent).** Pre-rinse cleaning surface with fresh water. If using Kärcher Pressure Wash or Degreaser, apply detergent at low pressure. Allow Pressure Wash to remain on surface 1-3 minutes. Do not allow detergent to dry on surface. Rinse at high pressure keeping the spray nozzle approximately 3-6 inches from the cleaning surface. For removing extremely stubborn dirt, it may be necessary to move the spray nozzle even closer to the surface for greater dirt cutting action.

**⚠ CAUTION**

*Do not use Dirtblaster spray nozzle on cloth, plastic or other sensitive surfaces as it may cause damage.*

### Patio & Lawn Furniture

**(with or without detergent).** Pre-rinse furniture and surrounding area with fresh water. If using Pressure Wash, apply to surface at low pressure. Allow Pressure Wash to remain on surface 1-3 minutes. Do not allow detergent to dry on surface. If needed use special Wash Brush Attachment (not included) to remove stubborn dirt. Rinse at high pressure in a sweeping motion keeping the spray nozzle approximately 3-6 inches from the cleaning surface. For best re-

sults, clean from top to bottom and from left to right.

**⚠ CAUTION**

*Do not use Dirtblaster spray nozzle on patio or lawn furniture as it may cause damage.*

### Recommendations

- Before cleaning any surface an inconspicuous area should be cleaned to test spray pattern and distance for maximum cleaning results.
- If painted surfaces are peeling or chipping, use extreme caution as pressure washer may remove the loose paint from the surface.
- When using on surfaces which might come in contact with food, flush surfaces with plenty of drinking water.
- For additional cleaning tips, visit our website at **[www.karcher-usa.com/home](http://www.karcher-usa.com/home)**

### Optional Accessories

*Optional accessories are available to further enhance your cleaning capabilities. These accessories are accurate as of the printing date of this manual. Please check our website [www.karcher-usa.com/home](http://www.karcher-usa.com/home) for pricing and up-to-date information.*

- Extension Hose
- Dirtblaster spray nozzle



## TROUBLESHOOTING

### ⚠ **CAUTION**

Remove the spark plug cable to prevent accidental ignition of the engine before making any repair.

Symptom	Cause	Solution
Engine will not start	No gasoline	Fill gas tank
	Choke is not in the correct position.	Pull the choke rod to the CLOSED position.
	Water pressure built up in the machine.	Squeeze the trigger to release the pressure.
	<b>For additional engine problems refer to the engine manual.</b>	
Unit does not reach high pressure.	Diameter of garden hose is too small.	Replace with a 5/8 inch or larger garden hose.
	Water supply is restricted.	Check garden hose for kinks, leaks and blockage.
	Not enough inlet water supply.	Turn water on full force. Check garden hose for kinks, leaks or blockage.
	Water inlet filter is clogged.	Remove filter and rinse out in warm water.
	Black detergent nozzle is attached.	Remove black detergent nozzle and attach high pressure nozzle
Output pressure varies high and low.	Not enough inlet water supply.	Turn water on full force. Check garden hose for kinks, leaks or blockage.
	Pump is sucking air.	Check that hoses and fittings are air tight. Turn off machine and purge pump by squeezing trigger gun until a steady flow of water emerges through the nozzle.
	Water inlet filter is clogged.	Remove filter and rinse out in warm water.
	Spray nozzle is obstructed.	Blow out or remove debris with a fine needle.
	Calcified gun, hose or spray wand.	Run distilled vinegar through detergent suction tube.

Symptom	Cause	Solution
No detergent.	Detergent suction tube not properly connected to the machine.	Check connection.
	Detergent is too thick.	Dilute detergent, for best results use Kärcher detergent.
	Filter on detergent suction tube is clogged.	Run warm water through filter to remove debris.
	Damaged or clogged detergent suction tube.	Remove obstruction or replace detergent suction tube.
	A high pressure nozzle is attached.	Replace with black detergent nozzle.
	Spray nozzle is obstructed.	Blow out or remove debris with fine needle.
Garden hose connection leaks.	Loose fittings.	Tighten fittings.
	Missing/worn rubber washer.	Insert new washer.
Spray wand leaks.	Spray wand not properly attached.	Turn the swivel nut of the gun clockwise until connection is tight.
	Broken o-ring or plastic insert.	Call Customer Support
Pump is noisy.	Pump is sucking air.	Check that hoses and fittings are air tight. Turn off machine and purge pump by squeezing trigger gun until a steady flow of water emerges through the nozzle.
Water leaks from pump (up to 10 drops per minute is permissible).	Loose fittings.	Tighten fittings.
	Water seals are damaged or worn.	Call Customer Support
	Thermal protection device is activated.	Thermal protection device will auto reset. Do not run pump for more than 5 minutes without spraying.
Oil Drip.	Oil seals are damaged or worn.	Call Customer Support

If you encounter any additional difficulties not listed, please call for help or visit our website.

**USA:** 1-800-537-4129  
[www.karcher-usa.com/home](http://www.karcher-usa.com/home)

**Canada:** 1-800-465-4980  
[www.karcher-canada.com](http://www.karcher-canada.com)

**Mexico:** 01-800-024-13-13  
[www.karcher.com.mx](http://www.karcher.com.mx)

# MANUAL DE USUARIO DEL LIMPIADOR DE ALTA PRESIÓN

Vista general del modelo	20
Importantes instrucciones de seguridad	21
Instrucciones de montaje	23
Instrucciones de funcionamiento	28
Utilización de los accesorios	29
Trabajar con detergentes	30
Tomarse un descanso	31
Apagado y limpieza	31
Almacenamiento prolongado	32
Instrucciones de mantenimiento	32
Consejos de limpieza	33
Solución de problemas	36

## Especificaciones

Presión de trabajo	3000 PSI
Volumen de agua	2.5 GPM
Absorción de detergente	0.05 - 0.10 GPM
Motor	6.0 HP Honda GC 190
Nº de pieza	1.194-601.0
Nº de serie	

## Símbolos de aviso de seguridad

### **△ PELIGRO**

indica "una situación de peligro inminente que, si no se evita, puede causar lesiones graves e incluso la muerte".

### **△ ADVERTENCIA**

indica "una situación de peligro potencial que, si no se evita, puede causar lesiones e incluso la muerte".

### **△ ATENCIÓN**

indica "una situación de peligro potencial que, si no se evita, puede causar lesiones de poca importancia o leves", o daños materiales.

## Responsabilidades del propietario/usuario

El propietario y/o el usuario deben comprender bien las instrucciones de servicio y advertencias del fabricante antes de empezar a utilizar este limpiador de alta presión.

Debe prestarse especial atención y tener muy claras las advertencias.

Si el operador no habla bien el inglés, el propietario/comprador debe responsabilizarse de leer y comentar las instrucciones y las advertencias en su lengua natal, y asegurarse de que entienda a la perfección su contenido.

El propietario y/o el usuario deben leer y guardar como referencia para el futuro las instrucciones del fabricante.

## Servicio de asistencia al cliente de Kärcher de EE.UU.

Llame al: **1-800-537-4129** si necesita ayuda o visite nuestra página Web:

**[www.karcher-usa.com/home](http://www.karcher-usa.com/home)**

Por favor, dedique unos minutos a registrar su aparato de lavado a presión en **[www.karcher-usa.com/warranty](http://www.karcher-usa.com/warranty)**

## Servicio de atención al cliente de Kärcher Canadá

Llame al: **1-800-465-4980** para recibir ayuda o visite nuestra página web:

**[www.karcher-canada.com](http://www.karcher-canada.com)**

## Soporte Kärcher Mexico

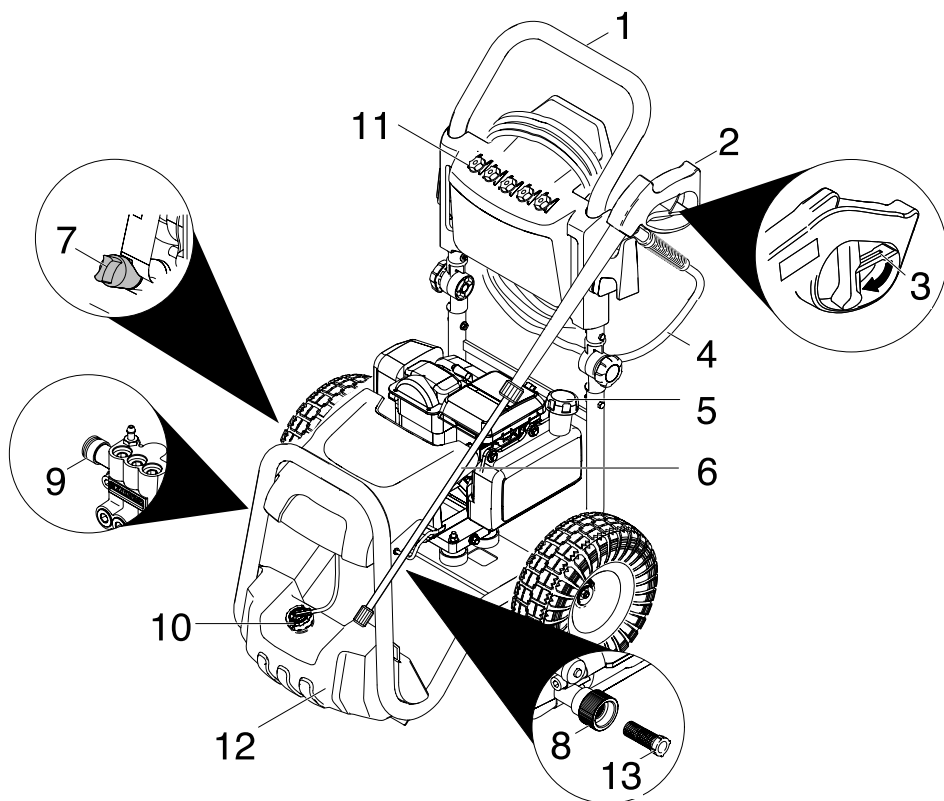
Llame al: **01-800-024-13-13** si necesita ayuda o visite nuestra página Web:

**[www.karcher.com.mx](http://www.karcher.com.mx)**

## VISTA GENERAL DEL MODELO

- 1 Asa de transporte
- 2 Pistola de disparo
- 3 Pestillo de seguridad de la pistola de disparo
- 4 Manguera de alta presión
- 5 Depósito de gasolina
- 6 Barra pulverizadora
- 7 Varilla del aceite
- 8 Toma de agua con conector para manguera de jardín
- 9 Salida de alta presión
- 10 Tubo de succión de detergente con válvula de dosificado de detergente
- 11 Boquillas de conexión rápida
- 12 Depósito de detergente
- 13 Dispositivo de filtrado en la entrada del agua

*Consulte el manual del motor para más información sobre el motor.*



## INSTRUCCIONES IMPORTANTES DE SEGURIDAD

- *Antes de la puesta en marcha, leer el manual de instrucción del fabricante del motor, especialmente las indicaciones de seguridad.*

### **⚠ ADVERTENCIA**

*Al utilizar este producto, tome siempre las precauciones básicas, incluidas las siguientes:*

- *Lea todas las instrucciones antes de usar el producto.*
- *Para reducir el riesgo de lesiones, es preciso vigilar atentamente si se usa el producto cerca de niños.*
- *Es necesario saber cómo parar rápidamente el producto y parar hemorragias. Estar familiarizado con los mandos.*
- *Estar atento, prestar atención a lo que se está haciendo.*
- *No ponga en funcionamiento el producto si está cansado o está bajo la influencia de alcohol o drogas.*
- *Mantenga la zona de trabajo libre de personas.*
- *No sobrecargar o colocar sobre un soporte inestable. Mantener el equilibrio en todo momento.*
- *Utilizar gafas de seguridad.*
- *Seguir las instrucciones de mantenimiento especificadas en el manual.*

### **⚠ ADVERTENCIA**

*Riesgo de inyección o lesiones - no dirigir el chorro directamente sobre personas.*

- *Los aparatos a alta presión pueden resultar peligrosos si se usan de forma incorrecta. No se debe dirigir el aparato a personas, animales, dispositivos eléctricos o la equipo mismo.*

- *No pulverizar sobre conexiones eléctricas, enchufes o aparatos.*

### **⚠ ADVERTENCIA**

*Riesgo de explosión - no pulverizar sobre líquidos inflamables.*

- *No usar ácidos, alcalinos, disolventes, o cualquier material inflamable con este producto. Estos productos pueden causar heridas físicas al operario y daños irreparables a la máquina.*

### **⚠ ADVERTENCIA**

*La pistola rebota hacia atrás - sujetar con las dos manos.*

- *El seguro del gatillo de la pistola evita que el gatillo salte de forma involuntaria. El dispositivo de seguridad NO bloquea el gatillo en la posición ON.*

### **⚠ ATENCIÓN**

*Riesgo de asfixia - usar este producto únicamente en una zona bien ventilada.*

- *Operar y repostar la máquina en una zona bien ventilada, donde no haya dispositivos con un piloto o llama abierta tales como bóiler, calentadores de agua, etc.*

### **⚠ ATENCIÓN**

*Riesgo de incendio - no repostar la máquina mientras esté en funcionamiento.*

- *No poner en funcionamiento si se ha derramado gasolina. Mueva la máquina a otro lugar para evitar que se produzcan chispas.*
- *La máquina tiene superficies calientes que pueden causar quemaduras. Poner en funcionamiento el aparato en un ambiente seguro y lejos de niños.*

- *No tocar las superficies calientes o permitir a los accesorios que estén en contacto con las superficies calientes.*
- *No permitir a la manguera de alta presión que esté en contacto con la cinta de protección.*
- *No dejar la máquina sin supervisión cuando esté en funcionamiento.*
- *Evitar inclinar la máquina hacia un lado.*

## **CONSERVE ESTAS INSTRUCCIONES**

### **SUMINISTRO DE AGUA (Sólo agua fría)**

#### **⚠ ATENCIÓN**

*Cuando conecte la entrada de agua al suministro de agua principal, respete las normativas locales de la compañía de agua. En algunas zonas no se puede conectar directamente al suministro público de agua potable. Esto para asegurar que no entran productos químicos al suministro de agua. Se permite, por ejemplo, conectar directamente a través de un depósito receptor o bloqueo de reflujos.*

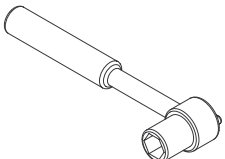
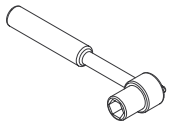
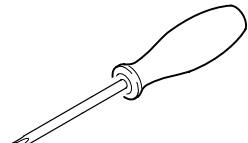
*Si entra suciedad en la entrada de agua se dañará el equipo. Para evitar correr este riesgo, recomendamos usar un filtro de agua.*

- La manguera del jardín debe tener al menos un diámetro de 5/8 pulgadas.
- El índice de flujo de agua no deben ser inferior a 2.8 GPM (galones por minuto).
- El índice de flujo se puede determinar si se deja correr el agua durante un minuto en un bidón de 5 galones.
- La temperatura de agua no debe exceder los 104°F/40°C.
- No usar la limpiadora de alta presión para agua contaminada con disolventes, por ejemplo para diluir pintura, gasolina, aceite etc.
- Evitar que entren escombros en la unidad, para ello use una fuente de agua limpia.

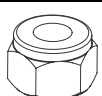


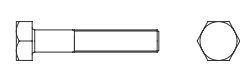
- No utilizar la limpiadora de presión sin el agua encendida.


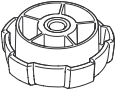
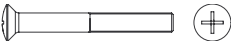

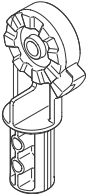


# INSTRUCCIONES DE MONTAJE

## Herramientas NECESARIAS (no incluidas)

Descripción	
Llave Tubo de 1/2" (o 13mm)	
Llave Tubo de 7/16" (o 11 mm)	
Destornillador Phillips (#2)	

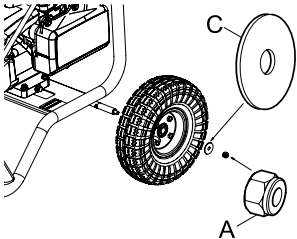
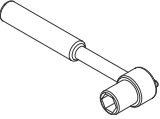
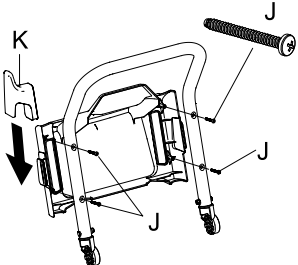
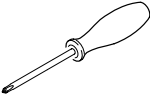
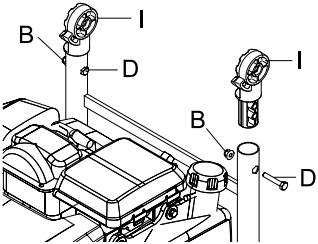
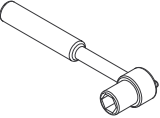
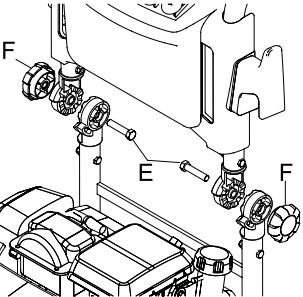
## Partes (incluidas)

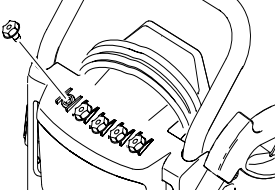
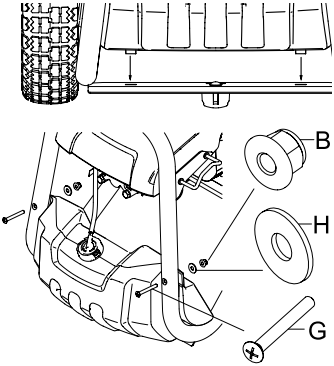
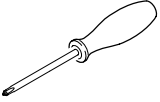
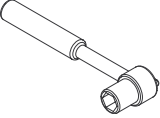
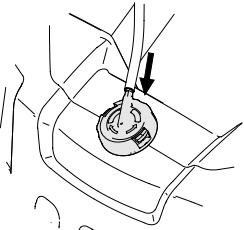
	Descripción	Objetivo	Dibujo	Can-tidad
A	Tuerca de 5/8"	Conjunto de ruedas		2
B	Tuerca de 1/4"	Conjunto de tanque de de-tergente/junta		4
C	Arandela de 5/8"	Conjunto de ruedas		2
D	Perno de 1/4"	Conjunto de junta		2

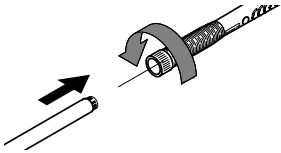
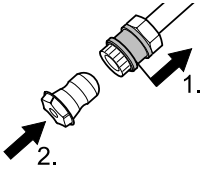
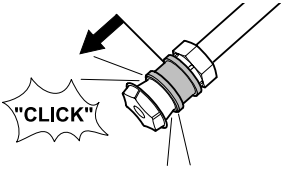
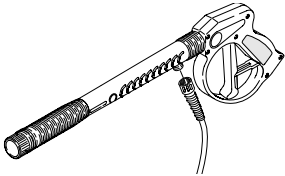
	Descripción	Objetivo	Dibujo	Cantidad
E	Perno de 5/16"	Conjunto de junta		2
F	Perilla	Conjunto de junta		2
G	Tornillo de 1/4"	Depósito de detergente		2
H	Arandela de 1/4"	Depósito de detergente		2
I	Junta	Conjunto de junta		2
J	Tornillo (auto-roscante)	Conjunto soporte de accesorios		4
K	Gancho	Conjunto soporte de accesorios		1



## Montar

Dibujo	Descripción	Herramientas necesarias
<p>1.</p> 	<p>Coloque las ruedas en cada eje seguidas por una arandela <b>(C)</b> y una tuerca <b>(A)</b>. Ajustelas con la mano usando una llave tubo de 1/2" (o 13mm).</p>	<p>Llave de 1/2" o de 13mm</p> 
<p>2.</p> 	<p>Fije la placa de accesorios al mango superior. Alinee los agujeros de la placa con los del mango. Ajuste los tornillos con la mano <b>(J)</b>.</p>	<p>Destornillador Phillips (#2)</p> 
<p>3.</p> 	<p>Fije las juntas <b>(I)</b> a la parte inferior. Use un perno de 1/4" <b>(D)</b> y ajústelo con una tuerca de 1/4" <b>(B)</b> para cada lado. Ajustelo manualmente con una llave de 1/16" (o 11mm).</p>	<p>Llave de 7/16" o de 11mm.</p> 
<p>4.</p> 	<p>Fije el mango al cuerpo de la lavadora a presión. Alinee los agujeros, coloque un perno de 5/16" <b>(E)</b>, y ajuste la perilla <b>(F)</b> de cada lado.</p>	<p>ninguno</p>

Dibujo	Descripción	Herramientas necesarias
<p>5.</p> 	<p>Coloque las boquillas de conexión rápida en el soporte para boquillas. El soporte utiliza trabas hacia adelante. Presione hacia abajo y deslice la boquilla hacia adelante hasta que se trabe en su lugar. Esto le permite plegar el mango hacia atrás mientras las boquillas permanecen fijas en su lugar.</p>	<p>ninguno</p>
<p>6.</p> 	<p>Coloque el tanque detergente deslizándolo en su lugar desde uno de los costados del cuerpo de la máquina. Alinee el tanque dentro de las muestras de la barra de soporte inferior. Verifique que el tanque quede apoyado contra el armazón antes de ajustarlo con los tornillos de 1/4" (<b>G</b>), arandelas (<b>H</b>) y tuercas (<b>B</b>) de cada lado. B - tuerca (2 unidades) H - arandela (2 unidades) G - tornillo (2 unidades)</p>	<p>Destornillador Phillips (#2)</p>  <p>Llave de 7/16" o de 11mm.</p> 
<p>7.</p> 	<p>Coloque el tubo del sifón desde la bomba hasta la perilla de ajuste de detergente.</p>	<p>ninguno</p>

Dibujo	Descripción	Herramientas necesarias
<p>8.</p> 	<p>Conectar la barra con la pistola pulverizadora.</p>	<p>ninguno</p>
<p>9.</p> 	<p>Empuje hacia atrás el borde a resorte del extremo de la varilla para colocar la boquilla de conexión rápida que desee.</p>	<p>ninguno</p>
<p>10.</p> 	<p>Soltar el cuello y empujar la boquilla hasta que encaje.</p>	<p>ninguno</p>
<p>11.</p> 	<p>Conectar la manguera de alta presión a la pistola pulverizadora.</p>	<p>ninguno</p>

## INSTRUCCIONES DE FUNCIONAMIENTO

### ATENCIÓN

*No poner en funcionamiento el motor con un nivel de aceite demasiado bajo o demasiado alto ya que se puede dañar el motor.*

*Si tiene más preguntas sobre el motor, consulte el manual suministrado con el equipo.*

#### → PASO 1:

Comprobar el nivel de aceite. El nivel de aceite tiene que estar siempre entre las marcas "FULL" y "ADD" en la varilla.

Asegúrese de que la máquina esté nivelada cuando compruebe el nivel de aceite. (Consulte el manual de funcionamiento de la máquina para los grados según la estación.).

*Recomendamos cambiar el aceite tras las primeras 5 horas de uso y después cada 25 horas.*

#### → PASO 2:

Llenar el depósito de gasolina con gasolina sin plomo.

**No usar gasolina con plomo.**

#### → PASO 3:

Conecte la manguera de alta presión a la salida de alta presión de la unidad.

#### → PASO 4:

Conecte la manguera de jardín a la toma de agua de la unidad.

#### → PASO 5:

Conecte la manguera de jardín a la toma de agua fría y abra el agua del todo.

**No usar agua caliente.**

#### → PASO 6:

Desbloquee el pestillo de seguridad del pistola de dispano. Dispare la pistola para eliminar el aire aprisionado y espere hasta que salga un caudal de agua constante de la boquilla pulverizadora.

#### → PASO 7:

##### Comienzo inicial:

Tirar del choke hasta que llegue a la posición de CERRADO.

##### Arrancar un motor caliente:

si el motor se ha quedado sin combustible, poner el estrangulador en la posición CLOSED antes de repostar. Si la máquina todavía tiene combustible, dejar el estrangulador en la posición OPEN.

#### → PASO 8:

##### Motor con estrangulación manual:

Deslizar la palanca del estrangulador en la dirección contraria a la posición SLOW, aproximadamente 1/3 hacia la posición FAST.

##### Motor con estrangulación fija:

mover el interruptor de parada del motor a la posición ON.

*Consulte el manual del motor para más información sobre el motor.*

#### → PASO 9:

tirar del mango de arranque.

Si el motor no arranca tras 3 intentos, apretar la pistola de gatillo para soltar presión y repetir el paso.

Después de que el motor haya entrado en calor lo suficiente para poder funcionar sin problemas, mover el estrangulador a la posición OPEN y a la posición FAST.

## UTILIZACIÓN DE LOS ACCESORIOS

### ⚠ **ADVERTENCIA**

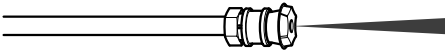
Para evitar heridas graves, nunca dirija la boquilla pulverizadora hacia usted mismo, hacia otras personas o hacia animales.

### **Boquillas de conexión rápida**

Las boquillas de conexión rápida codificadas por colores ofrecen una gran variedad de anchos de pulverización de 0° a 65° y son de fácil acceso si se colocan en un práctico soporte para boquillas de goma.

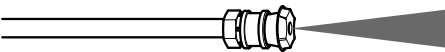
#### **0° ángulo de pulverización = boquilla roja**

Para una suciedad muy resistente. **No se recomienda** para materiales suaves como revestimientos, cubiertas, superficies pintadas, coches.



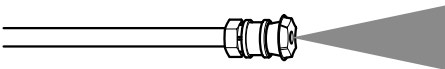
#### **15° ángulo de pulverización = boquilla amarilla**

Para suciedad sobre una superficie.



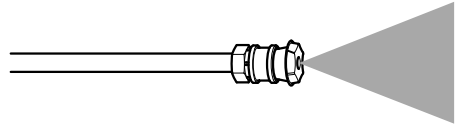
#### **25° ángulo de pulverización = boquilla verde**

Para suciedad sobre una superficie grande.



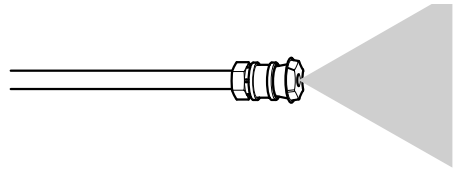
#### **40° ángulo de pulverización = boquilla blanca**

Para suciedad moderada sobre una superficie grande.



#### **65° ángulo de pulverización = boquilla de detergente negra**

Para trabajar con detergente o limpiar con una presión muy baja.



### ⚠ **ADVERTENCIA**

Alta presión en la zona de la boquilla. Riesgo de lesiones causados por una boquilla mal cerrada.

- Asegúrese de oír el "clic" al insertar la punta de la boquilla en la barra.
- Tirar de la boquilla para asegurarse de está bien colocada antes de poner en funcionamiento la unidad. (INSTRUCCIONES DE MONTAJE: paso 9 y paso 10)

## TRABAJAR CON DETERGENTES

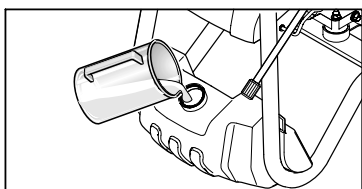
**Sólo se pueden aplicar detergentes con la boquilla de detergente negra.**

### → PASO 1:

Colocar la boquilla de detergente negra para aplicar detergente (sólo trabajará a baja presión).

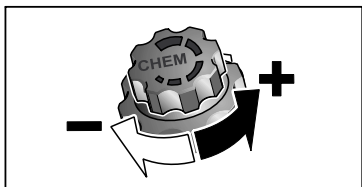
### → PASO 2:

Llenar el depósito de detergente con detergente Kärcher. Cerrar el depósito de detergente con la válvula dosificadora para detergente.



### → PASO 3:

Ajuste la válvula de dosificado de detergente a la dosis deseada.



### → PASO 4:

Con el motor en marcha, tirar del gatillo para poner el equipo en funcionamiento.

*El detergente líquido se introduce en el equipo y se mezcla con agua.*

Aplicar detergente al área de trabajo.

No permitir que el detergente se seque sobre la superficie.

### → PASO 5:

Dejar correr **siempre** agua fresca por el tubo de absorción de detergente al acabar el trabajo de limpieza para limpiar/extraer los restos de detergente del sistema de inyección.

**Para obtener mejores resultados, consulte la sección de consejos de limpieza para obtener información específica sobre cómo limpiar diferentes superficies.**

## Detergentes

### ⚠ ATENCIÓN

*Siga las instrucciones de mantenimiento especificadas en el manual. Este aparato ha sido diseñado para ser utilizado con detergentes de limpieza del fabricante. El uso de otros detergentes de limpieza puede afectar al funcionamiento del aparato y hacer que deje de tener validez la garantía.*

**Utilice siempre detergente Kärcher para obtener los mejores resultados**

Los detergentes biodegradables de Kärcher han sido especialmente concebidos para proteger el medio ambiente y el limpiador a presión. Su fórmula especial no obstruirá el filtro del tubo de succión y protegerá las piezas internas del limpiador de alta presión para que su vida útil sea más larga. Para adquirir los detergentes Kärcher, diríjase a su comerciante minorista o llame a nuestro centro de asistencia si necesita ayuda.

## Detergentes Kärcher disponibles en EE.UU. / Méjico:

- Para todos los usos para limpiar automóviles
- Limpiador de exteriores de casas
- Limpiador de pisos y patios
- Desengrasante muy potente

## Detergentes Kärcher disponibles en Canadá:

- Lavado de vehículos
- Lavado a presión
- Lavado de pisos y vallas
- Desengrasante

## ⚠ **ATENCIÓN**

### **No utilice nunca:**

- Lejía, productos que contengan cloro ni otro tipo de productos químicos corrosivos
- Líquidos que contengan disolventes (p. ej., diluyentes de pintura, gasolina, aceites)
- Productos de fosfato trisódico
- Productos con amoníaco
- Productos con base ácida

Los productos químicos mencionados dañarán la unidad y dañarán la superficie que se limpie.

**El uso de estos objetos invalidará la garantía.**

## **TOMARSE UN DESCANSO de cinco minutos o más**

### → **PASO 1:**

#### **Motor con estrangulación manual:**

Mover la palanca del estrangulador a la posición SLOW. Permitir que el motor esté unos segundos inactivo, después mover la palanca del estrangulador a la posición STOP.

#### **Motor con estrangulación fija:**

Mover el interruptor de parada del motor a la posición OFF.

*Consulte el manual del motor para más información sobre el motor.*

### → **PASO 2:**

Suelte el gatillo y accione el pestillo de seguridad de la pistola.

## **APAGADO Y LIMPIEZA**

### → **PASO 1:**

**Limpieza:** Al terminar, haga correr siempre agua limpia por el depósito del detergente para eliminar todos los restos del sistema de inyección. Sacar agua a baja presión durante un minuto.

motor esté unos segundos inactivo, después mover la palanca del estrangulador a la posición STOP.

#### **Motor con estrangulación fija:**

Mover el interruptor de parada del motor a la posición OFF.

### → **PASO 2:**

#### **Motor con estrangulación manual:**

Mover la palanca del estrangulador a la posición SLOW. Permitir que el

### → **PASO 3:**

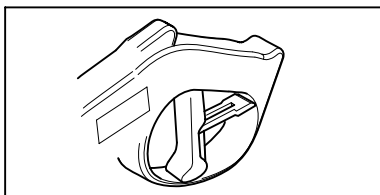
Cierre el grifo del agua.

### → **PASO 4:**

Presione el gatillo para que salga la presión.

### → PASO 5:

Suelte el gatillo y accione el pestillo de seguridad de la pistola.



### → PASO 6:

Desconecte la manguera de jardín de la toma de agua de la unidad.

### → PASO 7:

Desconecte la manguera de alta presión de la salida de alta presión.

## PROTECCIÓN CONTRA LOS AGENTES INVERNALES Y ALMACENAMIENTO PROLONGADO

→ 1: Desconecte todas las conexiones de agua.

→ 2: Encienda el aparato durante unos segundos hasta que haya salido el agua que haya quedado en la bomba, y apáguelo inmediatamente.

→ 3: Evite que la manguera de alta presión se retuerza.

→ 4: Almacene el aparato y los accesorios en una habitación que no llegue a temperaturas bajo cero. NO lo almacene cerca de hornos u otras fuentes de calor, ya que se podrían

secar las juntas de estanqueidad de la bomba.

### ⚠ ATENCIÓN

*Si no se cumplen las instrucciones mencionadas arriba, el grupo de la bomba y los accesorios sufrirán daños. Kärcher también recomienda el práctica general de usar un protector de bomba como "Protección de bomba Kärcher" para ayudar en el almacenamiento durante los meses de invierno.*

## INSTRUCCIONES DE MANTENIMIENTO

### Bomba Kärcher

#### Uso inicial

Todas las bombas Kärcher viene con aceite directamente de fábrica. No es necesario añadir aceite.

#### Inspección de la bomba

Debe realizar una inspección visual de rutina de la bomba de la limpiadora a presión. Si ve que pierde aceite en las juntas de la bomba, lleve la limpiadora a presión a un servicio técnico autorizado de Kärcher. (Puede localizar a un servicio técnico en su zona online en [www.karcher-usa.com/service](http://www.karcher-usa.com/service).)

### Mantenimiento de la bomba

La bomba de su limpiadora Kärcher no precisa mantenimiento. Cualquier intento de revisar o modificar la bomba puede dañar su limpiadora a presión y anular su garantía.

### Motor

Llevar a cabo las tareas de mantenimiento del motor de acuerdo con las especificaciones indicadas en las instrucciones de funcionamiento del fabricante del motor.



### Limpieza de cubiertas

**(con o sin detergente).** Preenjuague la cubierta y el área circundante con agua limpia. Si utiliza Deck Wash de Kärcher, aplíquelo en la superficie a baja presión. Para obtener mejores resultados, divida el área de trabajo en pequeñas secciones de aprox. 25 pies cuadrados. Deje el Deck Wash sobre la superficie durante 1-3 minutos. No deje que se seque el detergente sobre la superficie. Enjuague a alta presión mediante un movimiento de barrido, manteniendo la boquilla pulverizadora a aprox. 3-6 pulgadas de la superficie a limpiar. Limpie siempre de arriba a abajo y de izquierda a derecha. Cuando pase a la siguiente sección de la superficie a limpiar, asegúrese de solapar la nueva sección con la sección anterior para evitar que queden marcas de parada y garantizar, así, un resultado homogéneo.

#### ⚠ **ATENCIÓN**

*No usar la boquilla pulverizadora para levantar suciedad sobre una superficie de madera ya que puede causar daños.*

### Solapados de la casa

**(con o sin detergente).** Preenjuague la superficie a limpiar con agua limpia. Si utiliza Pressure Wash de Kärcher, aplíquelo a la superficie a baja presión (para obtener mejores resultados, divida la zona de trabajo en secciones de aproximadamente 6 pies y aplique siempre el detergente de abajo a arriba). Deje el Pressure Wash sobre la superficie durante 1-3 minutos. No deje que el detergente se seque sobre la superficie. Si

ve que la superficie se va a secar, simplemente moje la superficie con agua limpia. Si es necesario, utilice un accesorio especial con cepillo de lavado (no incluido) para quitar la suciedad difícil. Enjuague a alta presión mediante un movimiento de barrido homogéneo, manteniendo la boquilla pulverizadora a aprox. 6 pulgadas de la superficie a limpiar.

#### ⚠ **ATENCIÓN**

*No usar la boquilla pulverizadora para levantar suciedad sobre revestimientos ya que puede causar daños.*

### Patios de cemento, ladrillos y piedras

**(con o sin detergente).** Preenjuague la superficie a limpiar con agua limpia. Si utiliza Pressure Wash o Degreaser de Kärcher, aplíquelo en la superficie a baja presión. Para obtener mejores resultados, divida el área de trabajo en pequeñas secciones de aprox. 25 pies cuadrados. Deje el Pressure Wash o Degreaser sobre la superficie durante 1-3 minutos. No deje que se seque el detergente sobre la superficie. Enjuague a alta presión mediante un movimiento de barrido, manteniendo la boquilla pulverizadora a aprox. 3-6 pulgadas de la superficie a limpiar. Limpie siempre de arriba a abajo y de izquierda a derecha. Para quitar manchas especialmente difíciles, utilice la boquilla desincrustante.

## Coches, barcas y motos

**(con o sin detergente).** Preenjuague el vehículo con agua limpia. Si utiliza Touchless Vehicle Wash de Kärcher, aplíquelo en la superficie a baja presión. Para obtener mejores resultados, limpie un lado del vehículo cada vez y aplique siempre el detergente de abajo a arriba. No deje que el detergente se seque sobre la superficie. Si es necesario, utilice un accesorio especial con cepillo de lavado (no incluido) para quitar la suciedad difícil. Enjuague a alta presión mediante un movimiento de barrido y manteniendo la boquilla pulverizadora a aprox. 6-8 pulgadas de la superficie a limpiar (la distancia se debe incrementar en el caso de que se enjuaguen superficies con ranuras u otras superficies delicadas). Limpie siempre de arriba a abajo y de izquierda a derecha. Para obtener mejores resultados, seque la superficie con una gamuza o un trapo suave y seco.

### ⚠ **ATENCIÓN**

*No usar la boquilla pulverizadora para levantar suciedad sobre vehículos ya que puede causar daños.*

## Parrillas de barbacoas, equipos con motor exteriores y herramientas de jardín

**(con o sin detergente).** Preenjuague la superficie a limpiar con agua limpia. Si utiliza Pressure Wash de Kärcher o Degreaser, aplique el detergente a baja presión. Deje el Pressure Wash sobre la superficie 1-3 minutos. No deje que el detergente se seque sobre la superficie. Enjuague a alta presión manteniendo la boquilla pulverizadora a aprox. 3-6 pulgadas de la superficie a limpiar. Para

quitar suciedad especialmente difícil, puede ser necesario tener que poner la boquilla pulverizadora más cerca para que la potencia de limpieza sea mayor.

### ⚠ **ATENCIÓN**

*No usar la boquilla pulverizadora para levantar suciedad sobre paños, plástico u otras superficies delicadas ya que puede causar daños.*

## Mobiliario de patios y jardines

**(con o sin detergente).** Preenjuague el mueble y el área circundante con agua limpia. Si utiliza Pressure Wash de Kärcher, aplíquelo a la superficie a baja presión. Deje el Pressure Wash sobre la superficie durante 1-3 minutos. No deje que se seque el detergente sobre la superficie. Si es necesario, utilice un accesorio especial con cepillo de lavado (no incluido) para quitar la suciedad difícil. Enjuague a alta presión mediante un movimiento de barrido, manteniendo la boquilla pulverizadora a aprox. 3-6 pulgadas de la superficie a limpiar. Para obtener mejores resultados, limpie de arriba a abajo y de izquierda a derecha.

### ⚠ **ATENCIÓN**

*No usar la boquilla pulverizadora para levantar suciedad sobre terrazas o muebles de jardín ya que puede causar daños.*

## Recomendaciones

- Antes de limpiar cualquier superficie, se debe limpiar una parte de la misma que no se vea para probar el ajuste del pulverizado y la distancia para obtener los mejores resultados de limpieza.
- Si las superficies pintadas se están pelando o desconchando, extreme las precauciones, ya que el limpiador a presión podría arrancar la pintura suelta de la superficie.
- Cuando se utilice en superficies que puedan entrar en contacto con comida, enjuáguelas abundantemente con agua potable.

## Accesorios opcionales

*Disponemos de accesorios de limpieza opcionales para mejorar la capacidad de limpieza. Estos accesorios son precisos desde la fecha de impresión de este manual. Consulte nuestra página Web [www.karcher-usa.com/home](http://www.karcher-usa.com/home) para obtener información acerca de precios e información actualizada.*

- Manguera de alargamiento
- Boquilla pulverizadora para levantar suciedad

## LOCALIZACIÓN Y REPARACIÓN DE AVERÍAS

### ⚠ ATENCIÓN

Quitar el cable de enchufe de chispas para evitar que el motor se encienda de forma involuntaria antes de realizar cualquier reparación.

Síntoma	Causa	Solución
El motor no arranca	No hay gasolina	Llenar el depósito de gasolina
	El estrangulador no está en la posición correcta.	Tirar del choke hasta que llegue a la posición de CERRADO.
	Presión de agua formada en la máquina.	Apretar el gatillo para liberar presión.
	<b>Si tiene más problemas con el motor consulte el manual.</b>	
La unidad no llega a la alta presión.	El diámetro de la manguera de jardín es demasiado pequeño.	Sustituir con una manguera de jardín de 5/8 pulgadas o más.
	El suministro de agua está restringido.	Compruebe si la manguera de jardín tiene grietas, fugas o si está obstruida.
	El suministro de agua de entrada no es suficiente.	Abra el grifo de agua del todo. Compruebe si la manguera de jardín tiene grietas, fugas o si está obstruida.
	El filtro de entrada de agua está obstruido.	Quite el filtro y enjuáguelo en agua caliente.
	La boquilla de detergente negra está conectada.	Quitar la boquilla de detergente negra y colocar la boquilla para alta presión.

<b>Síntoma</b>	<b>Causa</b>	<b>Solución</b>
La presión de salida varía entre alta y baja presión.	El suministro de agua de entrada no es suficiente.	Abra el grifo de agua del todo. Compruebe si la manguera de jardín tiene grietas, fugas o si está obstruida.
	La bomba está succionando aire.	Compruebe que las mangueras y conectores están bien apretados. Apague el aparato y purgue la bomba apretando la pistola de disparo hasta que salga un caudal constante de la boquilla.
	El filtro de entrada de agua está obstruido.	Quite el filtro y enjuáguelo en agua caliente.
	La boquilla pulverizadora está atascada.	Limpie con aire comprimido o quite la suciedad con una aguja fina.
	Pistola, manguera o pulverizador telescópico calcificados.	Vierta vinagre destilado por el tubo de succión de detergente.
No entra detergente.	El tubo de succión de detergente no está correctamente conectado al aparato.	Compruebe la conexión.
	El detergente está demasiado espeso.	Diluya el detergente. Para obtener mejores resultados utilice detergente Kärcher.
	El filtro del tubo de succión de detergente está obstruido.	Deje correr agua caliente por el filtro para quitar la suciedad.
	El tubo de succión de detergente está dañado u obstruido.	Quite la obstrucción o reemplace el tubo de succión de detergente.
	Está colocada una boquilla de alta presión.	Sustituir por una boquilla de detergente negra.
	La boquilla pulverizadora está atascada.	Limpie con aire comprimido o quite la suciedad con una aguja fina.
La conexión de la manguera de jardín fuga.	Las conexiones están sueltas.	Apriete las conexiones.
	No hay arandela de gaucho o está desgastada.	Inserte una arandela nueva.

Síntoma	Causa	Solución
El pulverizador telescópico fuga.	El pulverizador telescópico no está montado correctamente.	Girar la ranura giratoria de la pistola en el sentido de las agujas del reloj hasta ajustar la conexión.
	Anillo tórico o inserción de plástico rotos.	Llame al Servicio de asistencia al cliente.
La bomba hace ruido.	La bomba está succionando aire.	Compruebe que las mangueras y conectores están bien apretados. Apague el aparato y purgue la bomba apretando la pistola de disparo hasta que salga un caudal constante de la boquilla.
Fuga agua de la bomba (hasta 10 gotas por minuto es permisible).	Las conexiones están sueltas.	Apriete las conexiones.
	Las juntas de estanqueidad de agua están dañadas o desgastadas.	Llame al Servicio de asistencia al cliente.
	La protección térmica del dispositivo está activada.	La protección térmica del dispositivo se reestablecerá automáticamente. No poner la bomba en funcionamiento durante más de 5 minutos sin pulverizar.
Goteo de aceite.	La juntas de estanqueidad de aceite están dañadas o desgastadas.	Llame al Servicio de asistencia al cliente.

Si tiene más problemas de los que están indicados, llame o visite nuestra página web.

**EE.UU.:** 1-800-537-4129  
[www.karcher-usa.com/home](http://www.karcher-usa.com/home)

**Canadá:** 1-800-465-4980  
[www.karcher-canada.com](http://www.karcher-canada.com)

**Méjico:** 01-800-024-13-13  
[www.karcher.com.mx](http://www.karcher.com.mx)

# NETTOYEUR HAUTE PRESSION - MANUEL D'UTILISATION

Généralités	40
Consignes de sécurité importantes	42
Instructions de montage	43
Mode d'emploi	48
Utilisation des accessoires	49
Emploi de détergents	50
Prendre une pause	51
Arrêt de l'appareil et nettoyage	51
Remisage hivernal et entreposage à long terme	52
Consignes d'entretien	52
Conseils de nettoyage	53
Dépannage	55

## Caractéristiques

Pression de fonctionnement	3000 PSI
Débit d'eau	2.5 GPM
Aspiration de détergent	0.05 - 0.10 GPM
Moteur	6.0 HP Honda GC 190
N° de pièce	1.194-601.0
N° de série	

## Symboles d'alerte de sécurité

### **⚠ DANGER**

Identifie "une situation de danger imminent qui, si elle n'est pas évitée, entraîne la mort ou des blessures graves".

### **⚠ AVERTISSEMENT**

Identifie "une situation de danger potentiel qui, si elle n'est pas évitée, pourrait entraîner la mort ou des blessures".

### **⚠ ATTENTION**

Identifie "une situation de danger potentiel qui, si elle n'est pas évitée, peut éventuellement entraîner des blessures

*légères ou modérées" ou des dommages matériels.*

## Responsabilité du propriétaire/ de l'utilisateur

Avant d'utiliser ce nettoyeur pression, le propriétaire et/ou l'utilisateur doit impérativement avoir pris connaissance des consignes d'utilisation et mises en garde du fabricant.

Il est nécessaire d'insister sur les avertissements et de les comprendre.

Si l'utilisateur ne parle pas couramment l'anglais, l'acheteur/le propriétaire doit lire les consignes et mises en garde du fabricant avec l'utilisateur dans la langue maternelle de ce dernier et s'assurer qu'il en comprend bien le contenu. Le propriétaire et/ou l'utilisateur doit se familiariser avec les consignes du fabricant et les conserver afin de pouvoir s'y référer ultérieurement.

## Service à la clientèle aux États-Unis

Appeler : **1-800-537-4129** pour obtenir de l'aide ou visiter notre site Web :

**[www.karcher-usa.com/home](http://www.karcher-usa.com/home)**

Prenez quelques minutes pour enregistrer votre nettoyeur pression en ligne à l'adresse suivante

**[www.karcher-usa.com/warranty](http://www.karcher-usa.com/warranty)**

## Service après-vente Kärcher CDN

Assistance téléphonique :

**1-800-465-4980** ou site Web :

**[www.karcher-canada.com](http://www.karcher-canada.com)**

## Assistance Kärcher Mexique

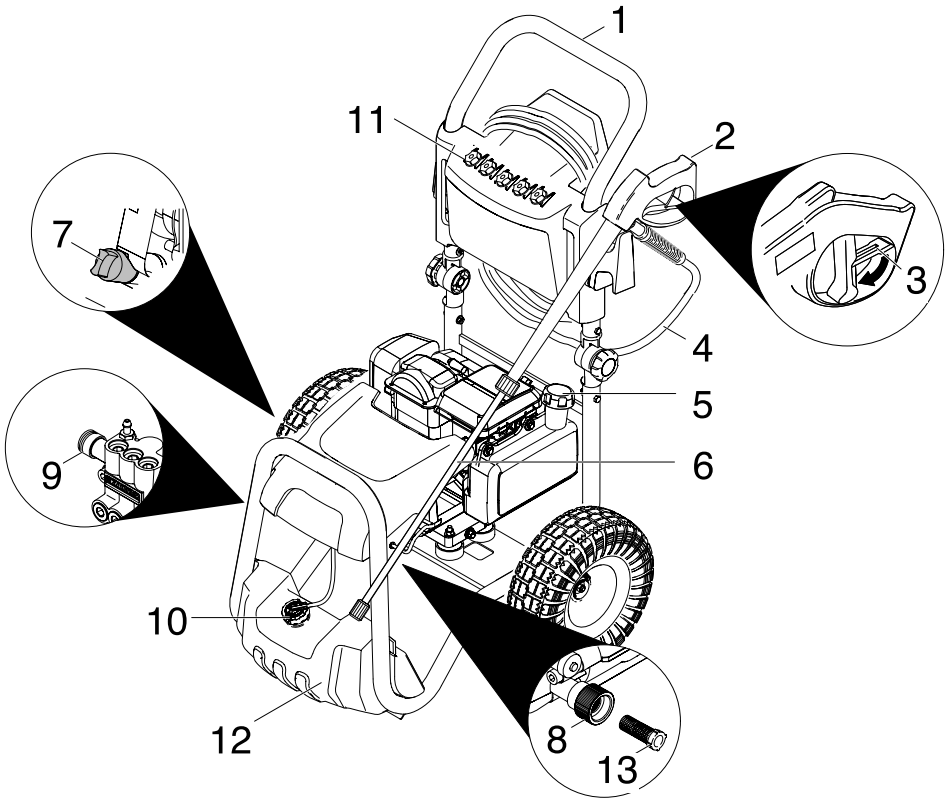
Appeler : **01-800-024-13-13** pour obtenir de l'aide ou visiter notre site Web :

**[www.karcher.com.mx](http://www.karcher.com.mx)**

## GÉNÉRALITÉS

- 1 Poignée
- 2 Poignée-pistolet
- 3 Verrouillage de sécurité de la poignée-pistolet
- 4 Tuyau à haute pression
- 5 Réservoir à essence
- 6 Lance
- 7 Jauge à huile
- 8 Entrée d'eau avec raccord pour tuyau d'arrosage
- 9 Sortie haute pression
- 10 Tuyau d'aspiration de détergent avec valve de dosage
- 11 Buses à connexion rapide
- 12 Réservoir de détergent
- 13 Filtre dans l'entrée d'eau

*Pour de plus amples informations à propos du moteur, reportez-vous au manuel du moteur.*





## CONSIGNES DE SÉCURITÉ IMPORTANTES

- Avant la mise en service, lire le mode d'emploi du constructeur du moteur et en particulier respecter les consignes de sécurité.

### ⚠ **AVERTISSEMENT**

En utilisant ce produit, toujours observer une certaine prudence élémentaire, incluant notamment:

- Lire toutes les instructions de service avant d'utiliser l'appareil.
- Afin de minimiser les risques de blessure, ne jamais laisser l'appareil sans surveillance lorsque celui-ci est utilisé à proximité d'enfants.
- Il est impératif de savoir arrêter et mettre l'appareil hors pression rapidement. Une connaissance approfondie des commandes est nécessaire.
- Rester attentif – se concentrer sur la tâche en cours.
- L'utilisateur ne doit jamais faire usage de l'appareil lorsqu'il est fatigué ou sous l'emprise d'alcool ou de drogues.
- Veiller à ce qu'aucun individu ne se trouve dans la zone de travail.
- Ne jamais passer ou monter sur des supports instables. Toujours rester stable et équilibré.
- Le port de lunettes de protection est obligatoire.
- Respecter les consignes d'entretien figurant dans le manuel.

### ⚠ **AVERTISSEMENT**

Risque de projection ou de blessure – Ne pas diriger le jet de vapeur en direction d'individus.

- En cas d'utilisation incorrecte, les jets haute pression peuvent être dangereux. Ne jamais diriger les jets

de vapeur en direction d'individus, d'animaux, de dispositifs électriques ou de l'appareil lui-même.

- Ne pas vaporiser les branchements électriques, les prises ou les ferrures.

### ⚠ **AVERTISSEMENT**

Risque d'explosion – Ne pas vaporiser de liquides inflammables.

- N'utiliser en aucun cas d'acides, de solutions alcalines, de solvants ou de produits inflammables dans cet appareil. Ces produits peuvent être à l'origine de blessures graves ou d'endommagement irréversible de l'appareil.

### ⚠ **AVERTISSEMENT**

Le pistolet génère une force de propulsion – Le maintenir toujours à deux mains.

- Le dispositif de sécurité de la poignée-pistolet permet d'éviter tout actionnement accidentel de la gâchette. Ce dispositif de sécurité NE verrouille PAS la gâchette en position marche (ON).

### ⚠ **ATTENTION**

Risque d'asphyxie – Utiliser l'appareil uniquement dans des zones bien ventilées.

- Utiliser et faire le plein de l'appareil exclusivement dans une zone bien ventilée, exempte de dispositifs à veilleuse ou présentant une flamme vive, tels que les chaudières, les chauffe-eau, etc.

### ⚠ **ATTENTION**

Risque d'incendie – Ne jamais faire l'appoint d'essence lorsque l'appareil est en fonctionnement.

- *Ne pas utiliser l'appareil si de l'essence a été renversée. Dans ce cas, déplacer l'appareil vers un autre endroit en veillant à ne pas créer d'étincelles.*
- *La machine présente des surfaces chaudes. Tout contact avec ces dernières peut être source de brûlures. Utiliser l'appareil dans un lieu sûr et à l'écart des enfants.*
- *Eviter de toucher les surfaces chaudes ou de mettre des accessoires en contact avec ces dernières.*
- *Le flexible haute pression ne doit jamais entrer en contact avec le carter de l'échappement.*
- *Ne jamais laisser l'appareil en service sans surveillance.*
- *Eviter de faire basculer l'appareil sur le côté.*

**CONSERVER CES INSTRUCTIONS !**

## ALIMENTATION EN EAU (eau froide uniquement)

### **⚠ ATTENTION**

*Lors du raccordement de l'arrivée d'eau à la conduite principale d'alimentation en eau, respecter les réglementations locales de votre société de distribution d'eau. Dans certaines zones, il est interdit de raccorder directement l'appareil au système public d'alimentation en eau potable. Cette mesure est destinée à éviter toute infiltration de produits chimiques dans le circuit d'alimentation en eau. Toutefois, l'appareil peut être raccordé par exemple à un réservoir collecteur ou à un disconnecteur hydraulique.*

*Les impuretés contenues dans l'eau d'alimentation peuvent endommager l'appareil. Afin d'éviter les risques d'endommagement, nous recommandons l'emploi d'un filtre à eau.*

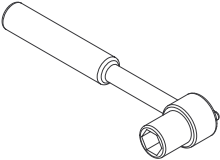
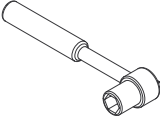
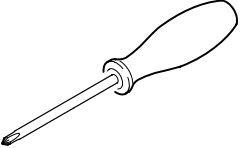
- *Le tuyau d'arrosage doit avoir un diamètre minimum de 5/8 pouces.*
- *Le débit de l'alimentation en eau ne doit pas être inférieur à 2,8 GPM (gallons par minute).*
- *Pour calculer le débit, faire couler l'eau pendant une minute dans un*

*réceptif vide d'une contenance de 5 gallons.*


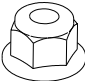

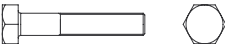
- *La température de l'eau d'alimentation ne doit pas excéder 104 °F/ 40 °C.*
- *Ne jamais aspirer d'eau contaminée par des solvants, par exemple des diluants pour peinture, de l'essence, de l'huile, etc..*
- *Toujours utiliser une source d'eau propre afin d'éviter toute infiltration de débris dans l'appareil.*
- *Ne pas mettre le nettoyeur pression en service lorsque l'arrivée d'eau n'est pas ouverte.*


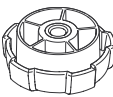
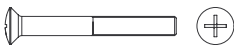
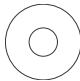
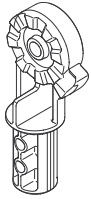


# INSTRUCTIONS DE MONTAGE

## Outils requis (non fournis)

Description	
Clé à douille de 1/2 po (ou 13 mm)	
Clé à douille de 7/16 po (ou 11 mm)	
Tournevis Phillips (#2)	

## Quincaillerie (fournie)

	Description	Usage	Illustration	Qté
A	Écrou de 5/8 po	Ensemble de roue		2
B	Écrou de 1/4 po	Réservoir à détergent / ensemble de joint		4
C	Rondelle de 5/8 po	Ensemble de roue		2
D	Boulon de 1/4 po	Ensemble de joint		2

	Description	Usage	Illustration	Qté
E	Boulon de 5/16 po	Ensemble de joint		2
F	Bouton	Ensemble de joint		2
G	Vis de 1/4 po	Réservoir de détergent		2
H	Rondelle de 1/4 po	Réservoir de détergent		2
I	Joint	Ensemble de joint		2
J	Vis (autotarau- deuse)	Ensemble de porte-acces- soires		4
K	Crochet	Ensemble de porte-acces- soires		1

## Assemblage

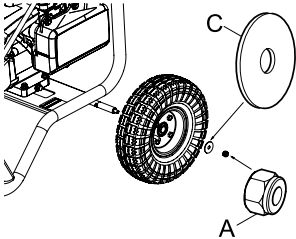
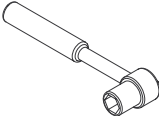
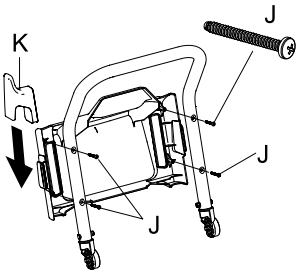
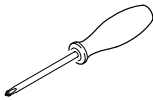
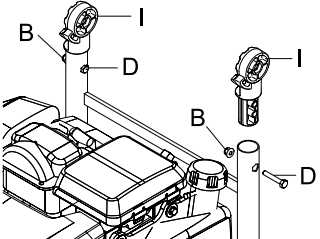
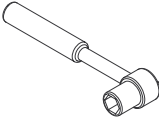
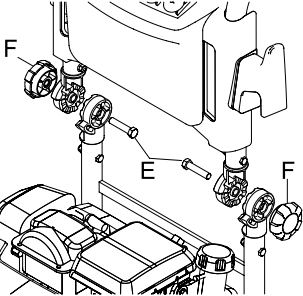
Illustration	Description	Outil requis
<p>1.</p> 	<p>Positionnez une roue sur chaque essieu et ajoutez ensuite une rondelle <b>(C)</b> et un écrou <b>(A)</b>. Serrez les pièces à la main à l'aide d'une clé à douille de 1/2 po (ou 13 mm).</p>	<p>Clé de 1/2 po ou clé alternative de 13mm.</p> 
<p>2.</p> 	<p>Attachez la plaque à accessoires à la poignée supérieure. Alignez les trous de la plaque avec les trous du cadre. Serrez les vis à la main <b>(J)</b>.</p>	<p>Tournevis Phillips (#2)</p> 
<p>3.</p> 	<p>Posez les joints <b>(I)</b> à la partie inférieure du cadre. Utilisez un boulon de 1/4 po <b>(D)</b> et serrez-le avec un écrou de 1/4 po <b>(B)</b> de chaque côté. Serrez les pièces à la main à l'aide d'une clé à douille de 7/16 po (ou 11mm).</p>	<p>Clé de 7/16 po ou clé alternative de 11mm.</p> 
<p>4.</p> 	<p>Attachez la poignée au cadre de la laveuse à pression. Alignez les trous, insérez un boulon de 5/16 po <b>(E)</b> et serrez le boulon <b>(F)</b> de chaque côté.</p>	<p>aucun</p>

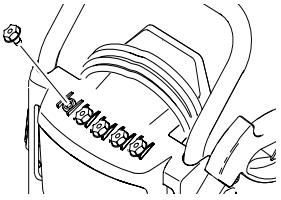
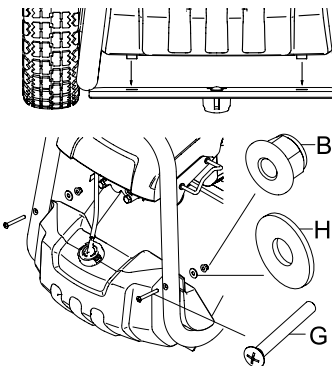
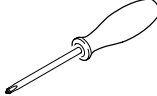
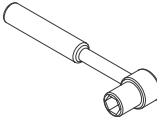
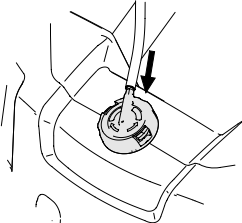
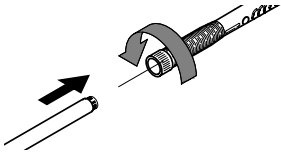
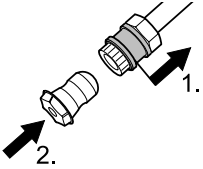
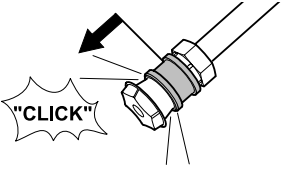
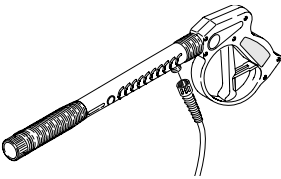
Illustration	Description	Outil requis
<p>5.</p> 	<p>Placez les buses à connexion rapide dans le support des buses. Les buses sont maintenues en place grâce à un mécanisme à enclenchement. Poussez la buse vers le bas et vers l'avant jusqu'à ce que vous entendiez un déclic indiquant qu'elle est enclenchée en place.</p> <p>Ce mécanisme vous permet de plier la poignée vers l'arrière en retenant les buses solidement en place.</p>	<p>aucun</p>
<p>6.</p> 	<p>Posez le réservoir à détergent en le glissant en place à partir du côté gauche ou du côté droit du cadre.</p> <p>Alignez le réservoir dans les rainures situées dans la poutre de support inférieure. Assurez-vous que le réservoir s'appuie de façon serrée contre le cadre avant de serrer, de chaque côté, la vis de 1/4 po (<b>G</b>), la rondelle (<b>H</b>) et l'écrou (<b>B</b>) fournis.</p> <p>B - écrou (2 pièces)  H - rondelle (2 pièces)  G - vis (2 pièces)</p>	<p>Tournevis Phillips (#2)</p>  <p>Clé de 7/16 po ou clé alternative de 11 mm.</p> 
<p>7.</p> 	<p>Attachez le tube-siphon provenant de la pompe au bouton-régulateur de détergent.</p>	<p>aucun</p>

Illustration	Description	Outil requis
<p>8.</p> 	<p>Fixer la lance au pistolet.</p>	<p>aucun</p>
<p>9.</p> 	<p>Tirez vers l'arrière le collet à ressort situé sur l'extrémité de la lance et insérez la buse à connexion rapide désirée.</p>	<p>aucun</p>
<p>10.</p> 	<p>Relâcher le collier et enfoncer la buse jusqu'à ce que le collier s'enclenche.</p>	<p>aucun</p>
<p>11.</p> 	<p>Brancher le flexible haute pression sur le pistolet.</p>	<p>aucun</p>

### ATTENTION

*Ne jamais démarrer le moteur si le niveau d'huile est insuffisant ou excessif sous peine d'endommager le moteur. Pour de plus amples informations à propos du moteur, se reporter au manuel du moteur fourni avec l'appareil.*

#### → ETAPE 1 :

Contrôler le niveau d'huile. Le niveau d'huile doit toujours être compris entre les repères "FULL" (plein) et "ADD" (ajout) de la jauge.

Vérifier que la machine est à l'horizontale lors du contrôle du niveau d'huile. (Se reporter au manuel d'utilisation du moteur pour connaître les différentes qualités d'huile à utiliser en fonction des saisons.).

*Nous recommandons de changer l'huile au terme des 5 premières heures de fonctionnement puis toutes les 25 heures.*

#### → ETAPE 2 :

Remplir le réservoir à essence avec de l'essence sans plomb.

**Ne pas utiliser d'essence au plomb.**

#### → ETAPE 3 :

Fixer le tuyau à haute pression à la sortie haute pression de l'appareil.

#### → ETAPE 4 :

Raccorder le tuyau d'arrosage à l'entrée d'eau de l'appareil.

#### → ETAPE 5 :

Raccorder le tuyau d'arrosage à la source d'eau froide et ouvrir complètement le robinet.

**Ne pas utiliser d'eau chaude.**

#### → ETAPE 6 :

Déverrouiller la sécurité de la poignée-pistolet. Appuyer sur la gâchette pour purger l'air jusqu'à obtenir un jet d'eau régulier à la lance.

#### → ETAPE 7 :

##### **Première mise en service:**

Tirez sur la tige d'étrangleur et placez-la en position FERMÉE.

##### **Démarrage d'un moteur chaud :**

Lorsque le moteur est en panne sèche, placer la tige d'étrangleur sur la position FERMÉE après avoir fait le plein. S'il reste de l'essence, laisser la tige d'étrangleur sur la position OUVVERTE.

#### → ETAPE 8 :

##### **Moteur à accélérateur manuel :**

Faire glisser le levier des gaz à partir de la position LENTE et le placer à environ 1/3 de la course en direction de la position RAPIDE

##### **Moteur à accélérateur fixe :**

Mettre le commutateur d'arrêt du moteur sur ON.

*Pour de plus amples informations à propos du moteur, reportez-vous au manuel du moteur.*

#### → ETAPE 9:

Tirer la poignée du starter.

Si le moteur ne démarre pas après 3 tentatives, appuyez sur la gâchette du pistolet de manière à libérer la pression puis recommencer l'opération.

Une fois que le moteur est suffisamment chaud et tourne régulièrement, mettre la tige d'étrangleur sur la position OUVVERTE et l'accélérateur sur RAPIDE.



## UTILISATION DES ACCESSOIRES

### ⚠ **AVERTISSEMENT**

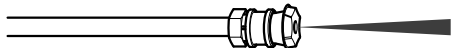
Afin d'éviter de graves blessures, ne jamais pointer la lance sur soi-même, d'autres personnes ou des animaux.

### **Buses à connexion rapide**

Les buses à connexion rapide sont repérées via un code chromatique. Elles offrent un large éventail de largeurs de jet, de 0 ° à 65 °, et sont facilement accessibles lorsqu'elles sont rangées dans le support à buses en caoutchouc.

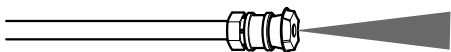
#### **Angle de vaporisation 0 ° = buse rouge**

Pour accumulation de saletés particulièrement tenaces. **Déconseillée** pour les matériaux tendres tels que les parements, les terrasses, les surfaces peintes, les voitures.



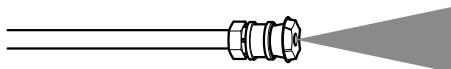
#### **Angle de vaporisation 15 ° = buse jaune**

Pour l'accumulation de saletés sur une surface.



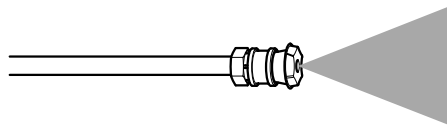
#### **Angle de vaporisation 25 ° = buse verte**

Pour l'accumulation de saletés sur une large surface.



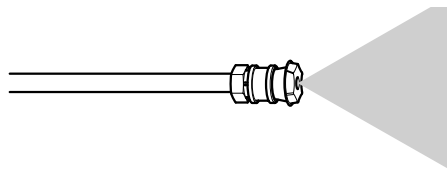
#### **Angle de vaporisation 40 ° = buse blanche**

Pour l'accumulation modérée de saletés sur une large surface.



#### **Angle de vaporisation 65 ° = buse à détergent noire**

Pour l'utilisation de détergent ou le nettoyage à pression réduite.



### ⚠ **AVERTISSEMENT**

Haute pression dans la zone de la buse. Risque de blessure en cas de fixation incorrecte de la buse.

- Un clic doit être audible lors de l'insertion de la buse dans la lance.
- Avant de mettre l'appareil en service, enfoncer la buse afin de s'assurer qu'elle est correctement fixée. (INSTRUCTIONS DE MONTAGE: étapes 9 et 10)

## EMPLOI DE DÉTERGENTS

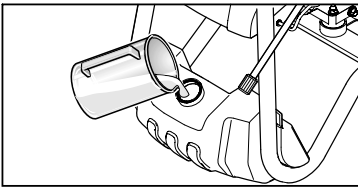
**Utilisez uniquement la buse à détergent noire pour l'usage de détergents.**

### → ETAPE 1 :

Installer la buse à détergent noire pour procéder à un nettoyage au détergent (fonctionne à basse pression uniquement).

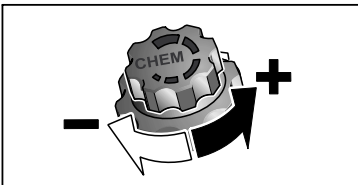
### → ETAPE 2 :

Remplir le réservoir à détergent avec du détergent Kärcher. Refermer le réservoir à détergent à l'aide de la valve de dosage du détergent.



### → ETAPE 3 :

Régler la valve de dosage du détergent pour obtenir le mélange voulu.



### → ETAPE 4 :

Lorsque le moteur tourne, enfoncer la gâchette pour actionner l'appareil. *Le détergent est aspiré dans l'appareil et se mélange à l'eau.*

Laisser agir le détergent sur la surface à nettoyer.

Veiller à ce que le détergent ne sèche pas.

### → ETAPE 5 :

Une fois les travaux de nettoyage terminés, **toujours** rincer le réservoir à détergent à l'eau propre afin d'éliminer les éventuels résidu de détergent du système d'injection.

**Pour obtenir les meilleurs résultats, voir les conseils donnant des informations propres au nettoyage des différents types de surfaces.**

## Détergents

### ⚠ ATTENTION

*Observer les instructions de maintenance figurant dans le présent manuel. Cette machine a été conçue pour être utilisée avec des détergents du fabricant. L'utilisation d'autres détergents peut altérer le fonctionnement de la machine et annuler la garantie.*

**Toujours utiliser les détergents Kärcher pour produire les meilleurs résultats.**

Les détergents biodégradables de Kärcher sont spécialement élaborés pour ménager l'environnement et le nettoyeur à haute pression. La formule spéciale évite d'encrasser le filtre du tuyau d'aspiration et protège les pièces internes du nettoyeur à haute pression pour en prolonger la durée de vie. Pour obtenir des détergents Kärcher, s'adresser au revendeur ou appeler le service après-vente.

**Détergents Kärcher disponibles aux Etats-Unis / au Mexique :**

- Multi-usages et nettoyants pour automobiles
- Nettoyant pour extérieur

- Nettoyant terrasses et patios
- Dégraissant ultra puissant

### Détergents Kärcher disponibles au Canada :

- Nettoyant automobile
- Nettoyant pression
- Nettoyant terrasses et barrières
- Dégraissant

### ⚠ ATTENTION

#### Ne jamais utiliser :

- javellisant, produits à base de chlore et autres produits chimiques corrosifs

- liquides contenant des solvants (p.ex. diluants pour peintures, essence, huiles)
- produits à base de trisodium de phosphate
- produits à base d'ammoniaque
- produits à base d'acide

Ces produits chimiques endommagent l'appareil et altèrent la surface à nettoyer.

**L'utilisation de ces produits entraînera l'annulation de la garantie.**

## PRENDRE UNE PAUSE ...cinq minutes ou plus

### → ETAPE 1 :

#### Moteur à accélérateur manuel :

Positionner le levier des gaz sur la position LENTE. Laisser le moteur tourner au ralenti pendant quelques secondes puis placer le levier des gaz sur STOP.

#### Moteur à accélérateur fixe :

Mettre le commutateur d'arrêt du moteur sur OFF.

*Pour de plus amples informations à propos du moteur, reportez-vous au manuel du moteur.*

### → ETAPE 2 :

Relâcher la gâchette et engager le verrouillage de sécurité du pistolet.

## ARRÊT DE L'APPAREIL ET NETTOYAGE

### → ETAPE 1 :

**Nettoyage :** Une fois les travaux de nettoyage terminés, il convient de toujours rincer le réservoir à détergent à l'eau propre afin d'éliminer tout résidu de détergent du système d'injection.

Siphonner l'eau à basse pression pendant une minute.

secondes puis placer le levier des gaz sur STOP.

#### Moteur à accélérateur fixe :

Mettre le commutateur d'arrêt du moteur sur OFF.

### → ETAPE 3 :

Fermer l'arrivée d'eau.

### → ETAPE 2 :

#### Moteur à accélérateur manuel :

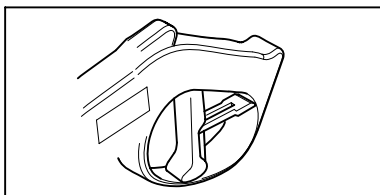
Positionner le levier des gaz sur la position LENTE. Laisser le moteur tourner au ralenti pendant quelques

### → ETAPE 4 :

Appuyer sur la gâchette pour évacuer la pression de l'eau.

## → ETAPE 5 :

Relâcher la gâchette et engager le verrouillage de sécurité du pistolet.



## → ETAPE 6 :

Débrancher le tuyau d'arrosage de l'entrée d'eau sur l'appareil.

## → ETAPE 7 :

Débrancher le tuyau à haute pression de la sortie haute pression.

## REMISAGE HIVERNAL ET ENTREPOSAGE A LONG TERME

- 1: Débrancher tous les raccordements d'eau.
- 2: Mettre l'appareil en marche pendant quelques secondes pour évacuer toute l'eau restant dans les pompes, puis l'arrêter immédiatement.
- 3: Ne pas laisser le tuyau d'arrosage tordu.
- 4: Ranger l'appareil et les accessoires dans une pièce à l'abri du gel. NE PAS stocker près d'un fourneau ou d'autres sources de chaleur, afin d'éviter un dessèchement des joints de la pompe.

### ⚠ ATTENTION

*L'inobservation des instructions ci-dessus cause des dégâts au bloc-pompe et aux accessoires.*

*Kärcher recommande d'utiliser correctement un dispositif de protection de pompe tel que "Kärcher Pump Guard" afin de garantir un meilleur stockage au cours de l'hiver.*

## CONSIGNES D'ENTRETIEN

### Pompe Kärcher

#### Première utilisation

Toutes les pompes Kärcher sont remplies d'huile d'usine. Il est inutile de rajouter de l'huile.

#### Contrôle de la pompe

Contrôler régulièrement l'état de la pompe du nettoyeur pression (contrôle visuel). En cas de fuite d'huile au niveau des joints d'étanchéité de la pompe, faire réparer le nettoyeur vapeur dans un centre de service agréé Kärcher. (Pour trouver le centre de service le plus pro-

che, se rendre à l'adresse [www.kar-cher-usa.com/service](http://www.kar-cher-usa.com/service).)

#### Entretien de la pompe

La pompe du nettoyeur pression Kärcher ne requiert pas d'entretien. Toute tentative d'entretien risque d'altérer la pompe, d'endommager le nettoyeur pression et, en outre, d'entraîner l'annulation de la garantie.

### Moteur

Effectuer les opérations d'entretien du moteur en respectant les spécifications figurant dans les instructions de service du fabricant du moteur.

## CONSEILS DE NETTOYAGE

### Terrasses en bois

**(avec ou sans détergent)**. Commencer par un prérinçage de la terrasse et des abords à l'eau fraîche. S'il est prévu d'utiliser du détergent pour terrasses et clôtures en bois Kärcher, l'appliquer à basse pression. Pour obtenir de meilleurs résultats, limiter la surface de travail à environ 2,3 mètres carrés. Laisser le détergent agir 1-3 minutes sur la surface. Ne pas laisser sécher. Rincer à haute pression d'un ample mouvement de balayage en maintenant la buse à environ 7,5-15 cm de la surface à nettoyer. Toujours nettoyer de haut en bas et de gauche à droite. En entamant une nouvelle section de la surface à nettoyer, veiller à chevaucher la section précédente afin de ne pas laisser de marques et d'assurer un résultat uniforme.

#### ⚠ ATTENTION

*L'utilisation de la buse Dirtblaster risque d'endommager les surfaces en bois.*

### Revêtements de façades

**(avec ou sans détergent)** Commencer par un prérinçage à l'eau fraîche. S'il est prévu d'utiliser du nettoyeur Kärcher, l'appliquer à basse pression sur la surface (pour obtenir de meilleurs résultats, limiter la surface de travail à des sections d'environ 1,8 mètre et toujours appliquer le détergent de bas en haut). Laisser le détergent agir 1-3 minutes sur la surface. Ne pas laisser sécher. Si la surface semble sécher, il suffit de la mouiller avec de l'eau fraîche. Au besoin, utiliser l'embout spécial à brosse de lavage (non compris) pour éliminer la

saleté tenace. Rincer à haute pression de haut en bas d'un mouvement de balayage régulier en maintenant la buse à environ 15 cm de la surface à nettoyer.

#### ⚠ ATTENTION

*L'utilisation de la buse Dirtblaster risque d'endommager les parements.*

### Patios de ciment, briques et pierres

**(avec ou sans détergent)** Commencer par un prérinçage à l'eau fraîche. S'il est prévu d'utiliser du nettoyeur Kärcher, l'appliquer à basse pression. Pour obtenir de meilleurs résultats, limiter la surface de travail à environ 2,3 mètres carrés. Laisser le nettoyeur Kärcher agir 1-3 minutes sur la surface. Ne pas laisser sécher. Rincer à haute pression d'un mouvement de balayage en maintenant la buse à environ 7,5-15 cm de la surface à nettoyer. Toujours nettoyer de haut en bas et de gauche à droite.. Pour éliminer la saleté extrêmement tenace, utiliser la lance rotative.

### Autos, bateaux et motos

**(avec ou sans détergent)** Commencer par un prérinçage du véhicule à l'eau fraîche. S'il est prévu d'utiliser du nettoyeur Kärcher, l'appliquer à basse pression. Pour obtenir de meilleurs résultats, nettoyer un côté du véhicule après l'autre et toujours appliquer le détergent de bas en haut. Ne pas laisser sécher. Au besoin, utiliser l'embout spécial à brosse de lavage (non compris) pour éliminer la saleté tenace. Rincer à haute pression d'un mouvement de balayage en maintenant

la buse à environ 15-20 cm de la surface à nettoyer (augmenter la distance pour des surfaces fragiles). Toujours nettoyer de haut en bas et de gauche à droite.. Pour obtenir de meilleurs résultats, essuyer la surface avec une peau de chamois ou un chiffon doux.

#### ⚠ **ATTENTION**

*L'utilisation de la buse Dirtblaster risque d'endommager les véhicules.*

### **Grilles de barbecue, équipements mécaniques d'extérieur et outils de jardinage**

**(avec ou sans détergent)** Commencer par un prérinçage à l'eau fraîche. S'il est prévu d'utiliser du nettoyeur à haute pression, l'appliquer à basse pression. Laisser le détergent agir 1-3 minutes sur la surface. Ne pas laisser sécher. Rincer à haute pression en maintenant la buse à environ 7,5-15 cm de la surface à nettoyer. Pour éliminer la saleté extrêmement tenace, il peut s'avérer nécessaire d'approcher la buse plus près de la surface afin d'augmenter l'efficacité du nettoyage.

#### ⚠ **ATTENTION**

*L'utilisation de la buse Dirtblaster risque d'endommager les surfaces textiles, plastique ou fragiles.*

### **Meubles de patio et de jardin**

**(avec ou sans détergent)** Commencer par un prérinçage des meubles et des abords à l'eau fraîche. S'il est prévu d'utiliser du nettoyeur à haute pression, l'appliquer à basse pression. Laisser le détergent agir 1-3 minutes sur la surface. Ne pas laisser sécher. Au besoin, utiliser l'embout spécial à brosse de lavage (non compris) pour éliminer la saleté tenace. Rincer à haute pression d'un

mouvement de balayage en maintenant la buse à environ 7,5-15 cm de la surface à nettoyer. Pour obtenir de meilleurs résultats, nettoyer de haut en bas et de gauche à droite.

#### ⚠ **ATTENTION**

*L'utilisation de la buse Dirtblaster risque d'endommager les terrasses et les meubles de jardin.*

### **Recommandations**

- Avant de nettoyer une quelconque surface, procéder à un essai sur une petite surface discrète pour déterminer le mode d'action et la distance qui produiront les meilleurs résultats de nettoyage.
- Si des surfaces peintes s'écaillent, procéder avec une extrême précaution car le nettoyeur à haute pression peut détacher la peinture à ces endroits.
- Rincer abondamment à l'eau potable les surfaces traitées pouvant éventuellement entrer en contact avec de la nourriture.

### **Accessoires optionnels**

*Des accessoires sont disponibles en option afin d'augmenter encore l'efficacité du nettoyage : Ces accessoires sont disponibles à la date d'impression du présent catalogue. Veuillez consulter notre site Web [www.karcher-usa.com/home](http://www.karcher-usa.com/home) pour de plus amples informations sur les prix et les nouveautés.*

- Rallonge
- Buse Dirtblaster

## DÉPANNAGE

### ⚠ ATTENTION

Avant de procéder aux réparations, débrancher toujours le câble de la bougie l'allumage afin d'éviter tout démarrage accidentel du moteur.

Symptôme	Cause	Solution
Le moteur ne démarre pas	Réservoir d'essence vide	Remplir le réservoir d'essence
	Le levier d'étrangleur n'est pas dans la bonne position.	Tirez sur la tige d'étrangleur et placez-la en position FERMÉE.
	La pression de l'eau augmente dans la machine.	Enfoncer la gâchette pour libérer la pression.
	<b>Pour les autres problèmes relatifs au moteur, se reporter au manuel du moteur.</b>	
L'appareil n'atteint pas le niveau de haute pression.	Diamètre du tuyau d'arrosage insuffisant.	Remplacer par un tuyau d'arrosage de 5/8" ou plus.
	Débit d'eau restreint.	Vérifier si le tuyau d'arrosage est tordu, s'il présente des fuites ou est bouché.
	Alimentation d'eau insuffisante.	Ouvrir le robinet d'eau à fond. Vérifier si le tuyau d'arrosage est tordu, s'il présente des fuites ou est bouché.
	Filtre d'admission d'eau encrassé.	Retirer le filtre et le rincer à l'eau tiède.
	La buse à détergent noire est connectée.	Retirer la buse à détergent noire et la remplacer par la buse haute pression

<b>Symptôme</b>	<b>Cause</b>	<b>Solution</b>
La pression de sortie varie.	Alimentation d'eau insuffisante.	Ouvrir le robinet d'eau à fond. Vérifier si le tuyau d'arrosage est tordu, s'il présente des fuites ou est bouché.
	Pompe aspirant de l'air.	Vérifier l'étanchéité des tuyaux et raccords. Arrêter l'appareil et purger la pompe en appuyant sur la gâchette jusqu'à obtenir un jet d'eau régulier à la sortie de la buse.
	Filtre d'admission d'eau encrassé.	Retirer le filtre et le rincer à l'eau tiède.
	La buse de vaporisation est obstruée.	Souffler dans la buse ou retirer le débris à l'aide d'une aiguille.
	Calcification du pistolet, du tuyau ou de la lance.	Faire couler du vinaigre distillé dans le tube d'aspiration de détergent.
Il n'y a pas de détergent.	Tube d'aspiration de détergent mal raccordé à l'appareil.	Vérifier le raccord.
	Détergent trop épais.	Diluer le détergent; pour de meilleurs résultats, utiliser du détergent Kärcher.
	Filtre ou tube d'aspiration de détergent obstrué.	Faire couler de l'eau tiède à travers le filtre pour éliminer les débris.
	Tube d'aspiration de détergent endommagé ou obstrué.	Éliminer l'obstruction ou remplacer le tube d'aspiration de détergent.
	La buse haute pression est installée.	La remplacer par la buse à détergent noire.
	La buse de vaporisation est obstruée.	Souffler dans la buse ou retirer le débris à l'aide d'une aiguille.
Le raccord du tuyau d'arrosage fuit.	Raccords desserrés.	Serrer les raccords.
	Rondelle caoutchouc perdue ou usée.	Monter une nouvelle rondelle.



Symptôme	Cause	Solution
La lance fuit.	Lance mal fixée.	Tourner l'écrou du pistolet dans le sens des aiguilles d'une montre jusqu'à ce que le raccord soit bien serré.
	Joint torique ou insert plastique brisé.	Appeler le service après-vente.
La pompe est bruyante.	Pompe aspirant de l'air.	Vérifier l'étanchéité des tuyaux et raccords. Arrêter l'appareil et purger la pompe en appuyant sur la gâchette jusqu'à obtenir un jet d'eau régulier à la sortie de la buse.
La pompe présente des fuites d'eau (jusqu'à 10 gouttes par minute sont admissibles).	Raccords desserrés.	Serrer les raccords.
	Joints d'eau endommagés ou usés.	Appeler le service après-vente.
	Le dispositif de protection thermique est activé.	Le dispositif de protection thermique se réinitialisera automatiquement. Ne pas faire fonctionner la pompe plus de 5 minutes sans actionner le pistolet de vaporisation.
De l'huile s'égoutte.	Joints d'huile endommagés ou usés.	Appeler le service après-vente.

En cas d'apparition d'un problème ne figurant pas dans cette liste, faire appel à l'assistance téléphonique ou se rendre sur le site Web.

**Etats-Unis** : 1-800-537-4129

[www.karcher-usa.com/home](http://www.karcher-usa.com/home)

**Canada** : 1-800-465-4980

[www.karcher-canada.com](http://www.karcher-canada.com)

**Mexique** : 01-800-024-13-13

[www.karcher.com.mx](http://www.karcher.com.mx)

## Free Manuals Download Website

<http://myh66.com>

<http://usermanuals.us>

<http://www.somanuals.com>

<http://www.4manuals.cc>

<http://www.manual-lib.com>

<http://www.404manual.com>

<http://www.luxmanual.com>

<http://aubethermostatmanual.com>

Golf course search by state

<http://golfingnear.com>

Email search by domain

<http://emailbydomain.com>

Auto manuals search

<http://auto.somanuals.com>

TV manuals search

<http://tv.somanuals.com>