



Three-Year Warranty

Your new Concours motorcycle comes with a 36-month/unlimited mileage limited factory warranty. Read the next paragraph to find out how you can extend your coverage inexpensively, or ask your dealer for details about the factory warranty and available extended coverage.

Up to Three Years Additional Coverage*

Let Kawasaki protect your new machine for years to come** with the exclusive Good Times™ Protection Plan†. This plan repairs or replaces most components free of charge if found defective in material or workmanship. Everything about the plan is easy: There's no deductible. It's honored at every authorized Kawasaki motorcycle dealer nationwide. It's transferable to another owner with no fee. Just ask your dealer how you can buy extended coverage of 12, 24 or 36 months. Imagine, for just pennies a day, you can ride with no worry and no hassle. Just tell your dealer you want the Good Times Protection Plan.

*Depending on the program purchased.

Ride Now With Zero Down**

We offer up to 100% instant financing on most Kawasaki products with the Good Times™ Credit Plan† or Good Times™ Credit Card. Qualified buyers can ride away on a brand-new Kawasaki with no down payment. In most cases, the computerized credit approval takes just minutes. You can even add insurance, accessories and the Good Times Protection Plan to your contract. Ask your participating dealer for details.

**Qualified buyers. †Good Times Credit Plan not available in Canada, Alaska or Hawaii.

Action Photography: Professional riders on a closed course.

Specifications subject to change without notice. Availability may be limited. Always wear a helmet and appropriate apparel. Call 1-800-448-9227 for the Motorcycle Safety Foundation beginner or expert course near you.

2008 CONOURS™ 14/14 ABS

transcontinental supersport



Kawasaki
Let the good times roll.™

Safe Riding's More Fun

Ride responsibly. Kawasaki believes safety begins with us and continues with you. Always wear a helmet, eye protection and proper apparel. Passengers too. Ride defensively. Obey the Basic Speed Law. Never ride under the influence of drugs or alcohol. Riding is more fun on a well-maintained motorcycle... follow the instructions in your owner's manual. Remember, riding safe is smart.

For more information, visit our website at: kawasaki.com

For the nearest Kawasaki dealer, call 1-800-661-RIDE

To purchase accessories, see your dealer or visit our web site.



Kawasaki Motors Corp., U.S.A.
9950 Jeronimo Road, Irvine, California 92618
©2007 Kawasaki Motors Corp., U.S.A.

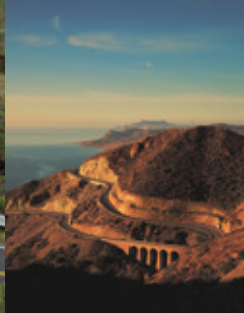
Download from www.Somanuals.com. All Manuals Search And Download.

Printed in U.S.A.

Enjoy cross-country touring with or without a friend.

the fast alternative

The sleek new Concours 14 – with available ABS – opens up new territory for enthusiasts looking to add breathtaking supersport performance to a cross-country touring machine. Derived from the smoking fast Ninja® ZX™-14, the Concours injects a massive dose of low speed torque into the mix with its revolutionary, first-in-class Variable Valve Timing (VVT). Add an advanced monocoque aluminum frame, innovative Tetra-Lever shaft drive, quick-release hard luggage, electrically adjustable windscreen and impeccable sport-oriented handling manners, and the Concours earns the right and respect as the most impressive long-distance, high-speed machine available ever. The fast alternative. Only from Kawasaki.



CONCOURS 14/14 ABS

Download from Www.Somanuals.com. All Manuals Search And Download.

CONCOURS™ 14/14 ABS: THE MOST POWERFUL PRODUCTION SPORT TOURER

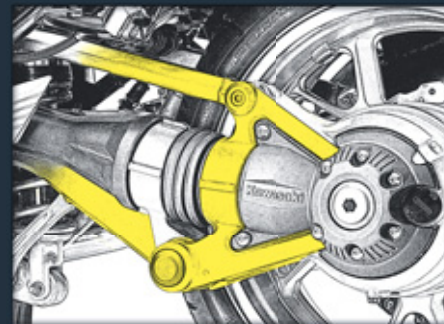
Kawasaki's newest *tour de force* was engineered to be the most technically advanced supersport-touring motorcycle in history. Strong words? Yes. But the Concours 14 stands ready to back them up. The evidence starts with a sophisticated fuel-injected 1,352cc In-line Four engine with ground-breaking Variable Valve Timing (VVT) that spreads the powerband to an impressive breadth for effortless acceleration and passing. It borrows Ninja® sportbike technologies such as dual Ram Air that increases engine output as the speed builds, and all that power flows through

a sophisticated Tetra-Lever system that virtually eliminates the rising/falling torque effect that's common in shaft-drive bikes. The aluminum monocoque frame is both lightweight and stiff, while a compact wheelbase and Ninja-style inverted fork provide amazing handling agility. Finally, sportiness and safety combine with features like tire-pressure sensors and radial-mount front brake calipers with available ABS. Best of all, when you step aboard, the KI-PASS keyless-start system is ready for your command. Now that's smart engineering.



- Advanced digital instrumentation combines an analog tachometer and speedometer with a multi-function LCD trip computer. The display includes tire pressure, gear position, battery voltage, trip details and fuel consumption. A bright fuel gauge, odometer and clock complete the instrumentation.

- Kawasaki also breaks new ground in the supersport touring class with the world's first Variable Valve Timing camshaft system. At low engine speeds, the hydraulically controlled actuators adjust the position of the camshaft for optimum valve timing at various rpm. The result is enhanced low speed engine torque and as engine speeds pick up, the system alters the cam timing to ensure the Concours delivers the expected unparalleled Kawasaki top end rush.



- The sealed Tetra-Lever shaft drive system feels like a chain drive system thanks to its 4-link swingarm that minimizes the squatting and lifting common on normal shaft drive machines.
- Dual balancer shafts and a new digital fuel injection system with 40mm throttle bodies plus a heavier flywheel contribute to a silky smooth ride and incredibly strong engine response for all-day comfort with excellent rider feedback.
- The Concours sets a new, higher standard for its level of high-performance in a supersport touring machine thanks to its 1,352cc 4-cylinder DOHC In-Line Four engine that's based soundly on Ninja® ZX-14 credentials.
- The tri-oval muffler on the full-stainless steel exhaust system features a 4-2-1 layout and an integrated catalyzer for maximum efficiency with low emissions.



- The advanced, electrically adjustable wind-screen allows riders to select the amount of wind protection to suit riding conditions.
- The remote-reservoir UNI-TRAK® rear suspension features an easy-to-reach, remote hydraulic spring preload adjuster for the gas-charged rear shock while up front the Concours features an adjustable 43mm inverted cartridge front fork.



- Huge 310mm petal-style front disc brakes with radial-mount, 4-piston callipers and individual brake pads are balanced with a large 270mm rear disc brake to guarantee awesome supersport bike stopping power and feel.
- An available Anti-Lock Braking System (ABS) features independent front and rear wheel sensors to offer riders added peace of mind in treacherous riding conditions.



- The large hardcase rear saddlebags feature a convenient single key lock and are quickly detachable. Complementing the bags is a centrally located glove compartment on top of the fuel tank plus there's a sturdy rear luggage rack that can accommodate an available accessory top box.
- The remote keyless ignition system, Kawasaki Intelligent Proximity Activation Start System (KI-PASS) offers riders the convenience of an electronic authorization system – a first on a supersport touring machine.
- Based on the unique Ninja ZX-14 monocoque aluminum frame, the Concours features 20% greater torsional stiffness for exceptional stability that offers riders impeccable sport bike manners on the street.

transcontinental experience

It's a good thing we live in a big country. Because the new technologically-advanced Concoors™ 14 is one of those rare breed of motorcycles that begs to cross it. New York City. New Orleans. St. Louis. Hollywood. The country begs to be ridden. Just imagine somewhere east of the Rockies, the silky counter-balanced engine revs in its sweet spot, effortlessly dropping the flatlands behind you as the snow-capped peaks swing closer. The scent of prairie grasslands changes to cooler crisp air as you climb, and the Concoors 14 banks through a labyrinth of curves stretching up the mountain, powering up the straights and mastering the turns with the authority of a thoroughbred supersport. With your favorite bed and breakfast drawing ever closer and the electrically adjustable windscreen set just right, you're in a state of bliss and your passenger is too — and with a squeeze of her knees she lets you know. Tonight you'll make Aspen and tomorrow, well who knows? Maybe the coast? Meet the new Concoors 14 from Kawasaki. The fast alternative.



Try these on for size: St. Louis, Missouri. Yellowstone and Yosemite, New York City, Mt. Rushmore, South Dakota. Arches National Park, Utah.



CONCOORS 14/14 ABS

Download from www.Somanuals.com. All Manuals Search And Download.

live to ride



From the deep frozen waters of Alaska to the most western roads snaking along the Pacific Coast, there are thousands of roads and location spots just waiting to be explored. So grab a map, a cell phone, pack your bags and get out and ride. There's nothing more exhilarating and refreshing than seeing new places. And making new friends. On your transcontinental Concoors 14, of course.

CONCOORS 14/14 ABS

Download from www.somanuals.com. All Manuals Search And Download.

Specifications CONCOORS™ 14 / 14 ABS

Engine type	4-stroke, liquid-cooled In-Line Four
Displacement	1,352cc
Bore x stroke	84 x 61mm
Compression ratio	10.7:1
Valve System	DOHC, 16 valves with VVT
Carburetion	Digital fuel injection with four 40mm throttle bodies
Ignition	Digital
Starting	Electric
Transmission	6-speed with Positive Neutral Finder
Frame type	Pressed and cast monocoque aluminum
Rake/trail	26.1/4.4 inches
Suspension, front	43mm inverted cartridge fork, adjustable preload and rebound damping
Suspension, rear	Bottom-Link UNI-TRAK® with remote-reservoir, gas-charged shock, spring preload, stepless rebound damping adjustment
Tire, front/rear	Tubeless radial; 120/70-ZR17; 190/50-ZR17
Brakes, front	Dual 310mm discs with radial-mounted dual 4-piston callipers
Brakes, rear	Single 270mm disc with twin-piston caliper
Wheelbase	59.8 inches
Seat height	32.1 inches
Fuel capacity	5.8 gallons
Dry weight	606 pounds 615 pounds (ABS model)
Color	Neutron Silver

Free Manuals Download Website

<http://myh66.com>

<http://usermanuals.us>

<http://www.somanuals.com>

<http://www.4manuals.cc>

<http://www.manual-lib.com>

<http://www.404manual.com>

<http://www.luxmanual.com>

<http://aubethermostatmanual.com>

Golf course search by state

<http://golfingnear.com>

Email search by domain

<http://emailbydomain.com>

Auto manuals search

<http://auto.somanuals.com>

TV manuals search

<http://tv.somanuals.com>