

**Kelvinator** 

Factory Parts Catalog

|               |               |
|---------------|---------------|
| Product No.   | KCG130GW0     |
| Series        | Commercial    |
| Color         | white         |
| Volts         | 115           |
| Owner's Guide | 297147500     |
| Market        | North America |

 **Electrolux**

Electrolux Major Appliances  
 North & Latin America  
 P.O. BOX 212378  
 AUGUSTA, GA 30917

Publication No.  
**5995484846**  
 07/02/22  
 (EN/SERVICE/MLR)  
 365

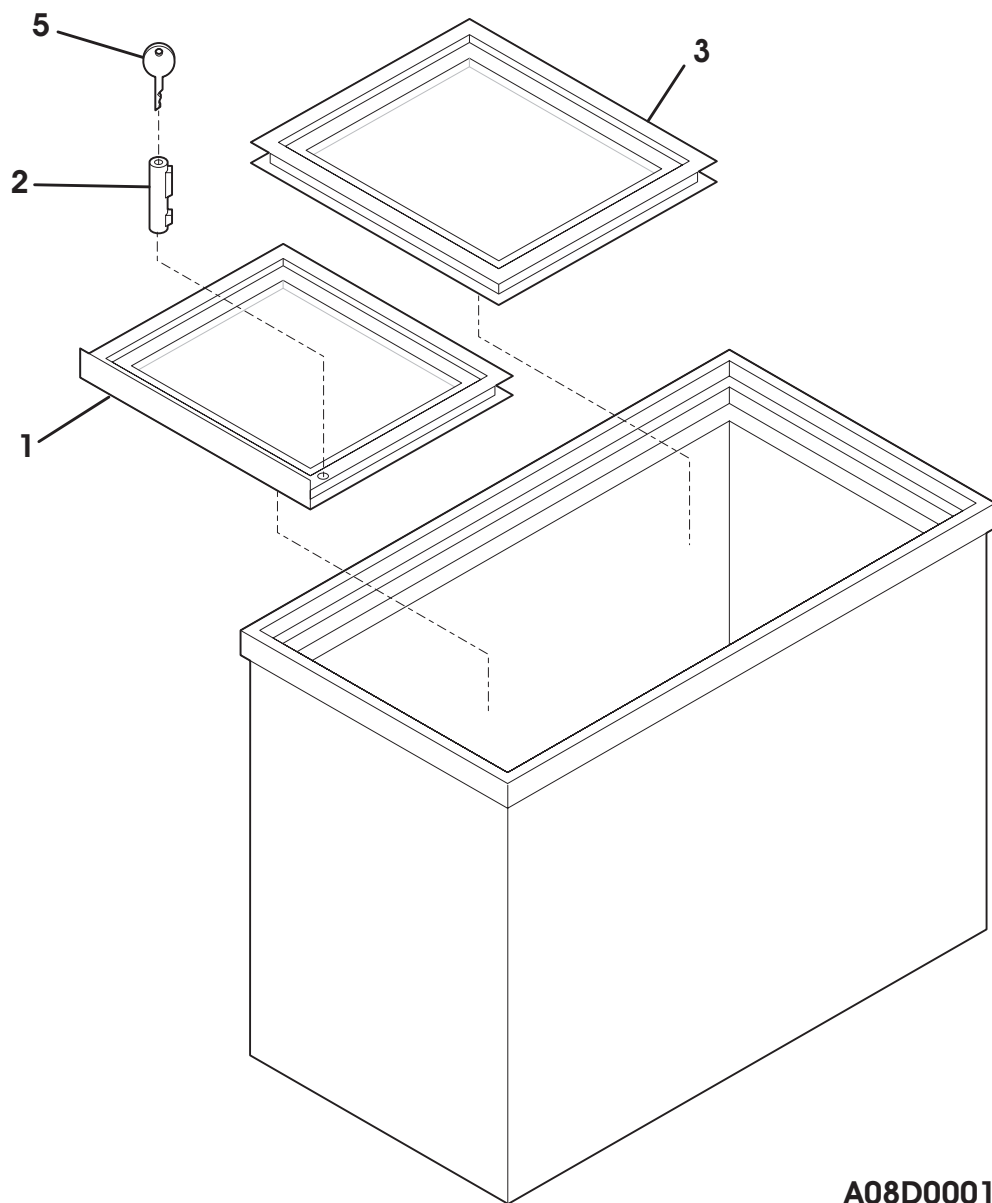
**FREEZER CHEST**

Model No.  
**KCG130GW**

Copyright © 2007 Electrolux Home Products, Inc.  
 All rights reserved.

**DOOR**

---



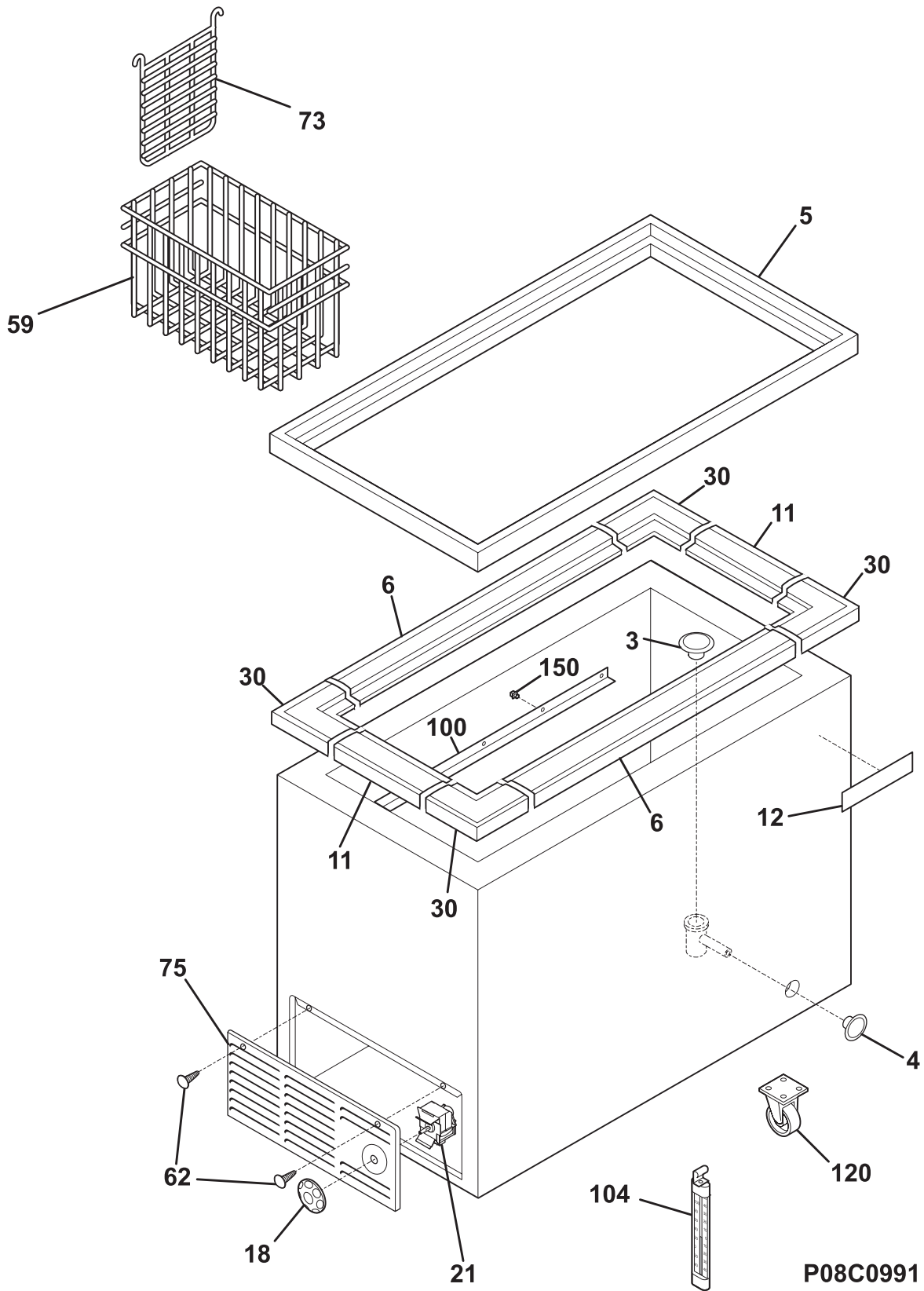
**A08D0001**

**DOOR**

---

| POS. NO | PART NO.  | DESCRIPTION                      |
|---------|-----------|----------------------------------|
| 1       | 216620604 | Lid, chest freezer, glass, upper |
| 2       | 216621200 | Lock Assy, frzr lid              |
| 3       | 216620704 | Lid, chest freezer, glass, lower |
| 5       | 216621300 | Key, frzr lid lock               |

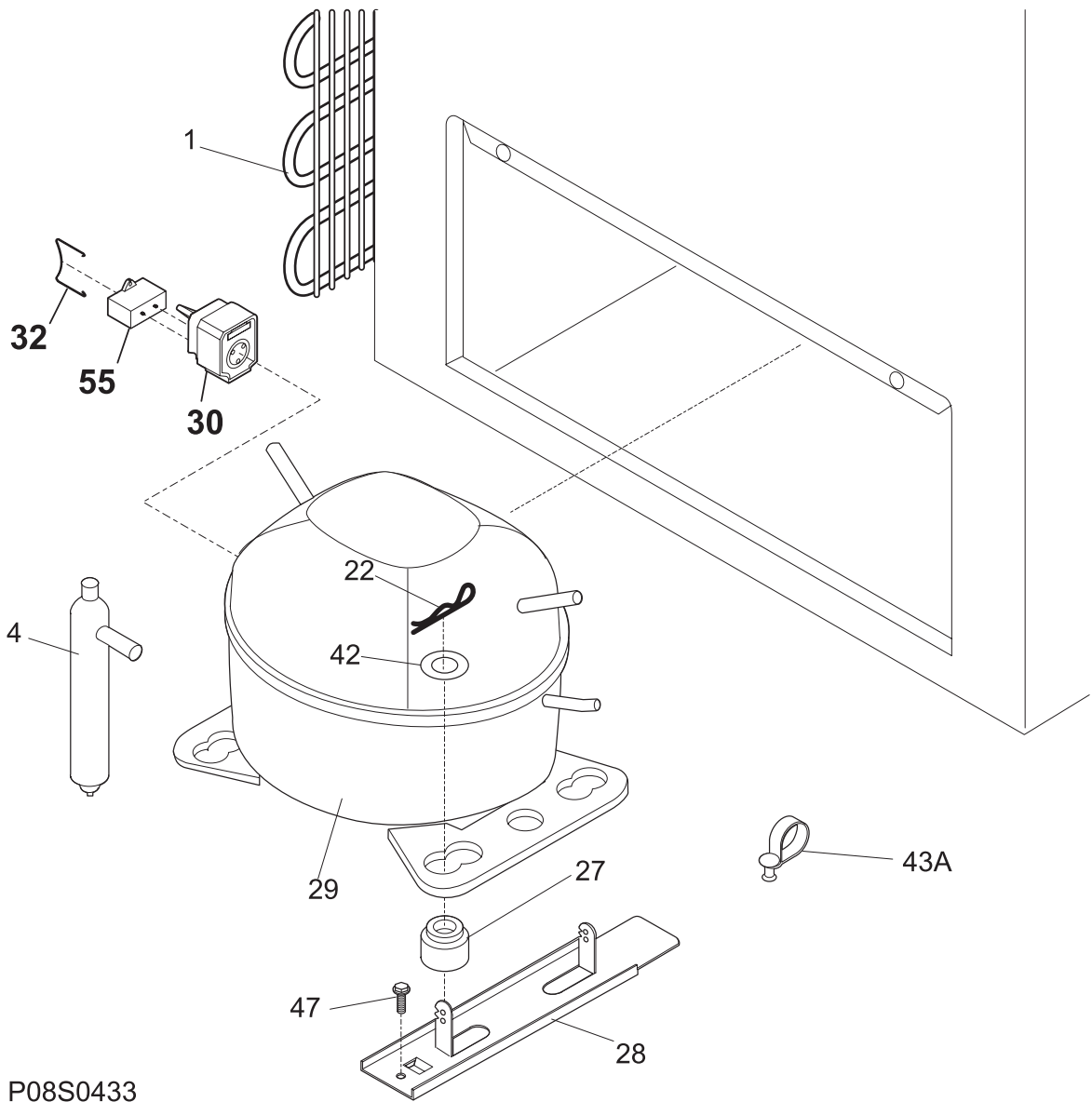
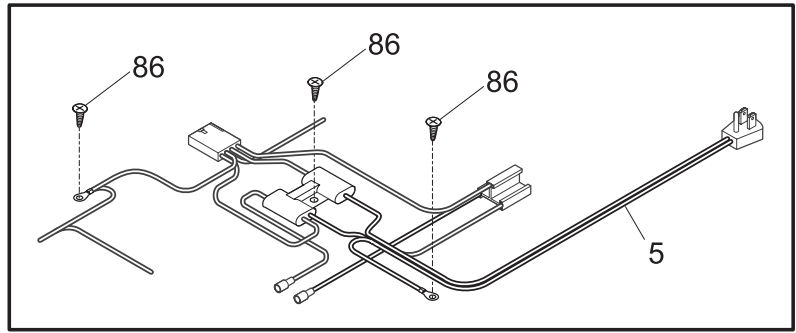
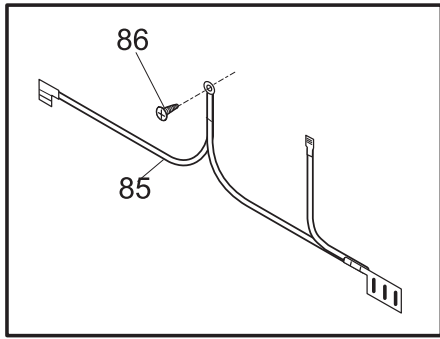
**CABINET**



**CABINET**

| POS. NO | PART NO.   | DESCRIPTION                               |
|---------|------------|---|
| 3       | 216502600  | Plug, drain, interior                     |
| 4       | 297013600  | Plug, drain, exterior                     |
| 5       | 216620504  | Frame, outer                              |
| 6       | 216955503  | Breaker, Plain, white, hinge side         |
| 11      | 216955500  | Breaker, chest end, (2)                   |
| 12      | 297146600  | Nameplate, Commercial                     |
| 18      | 216707201  | Knob, temp control                        |
| 21#     | 216714601  | Control temperature                       |
| 30      | 216110700  | Breaker, corners                          |
| 59      | 216506100  | Basket, chest freezer                     |
| 62      | 131420300  | Screw, cr truss head, 8-18AB x 0.750      |
| 73      | 216506200  | Divider, basket                           |
| 75      | 216034301  | Panel, access, white                      |
| 100     | 216995207  | Track-basket                              |
| 104     | 297070100  | Thermometer                               |
| 120     | 216621000  | Caster                                    |
| 150     | 216997400  | Support, track-basket                     |
| *       | 216649700  | CASTER PACK, 4 casters, wrench, 16 screws |
| *       | 5303305324 | Paint, touch-up, white                    |

**SYSTEM**



P08S0433

### SYSTEM

---

| POS. NO | PART NO.   | DESCRIPTION   |
|---------|------------|---|
| 1       | 5303925238 | Condenser   |
| 4 #     | 216938600  | Drier-filter  |
| 5 #     | 216987200  | Harness-main  |
| 22      | 216056400  | Clip, compressor mtg, SPRING                          |
| 27      | 5308002681 | Grommet, compressor                                   |
| 28      | 5303212615 | Support, compressor                                   |
| 29 #    | 297048200  | Compressor, w/o electricals                           |
| 30 #    | 297048300  | Controller  |
| 32      | 241544101  | Clamp, elec cont mtg, compressor, bale wire           |
| 42      | 216232700  | Washer, flat, 1"OD x 0.531"ID                         |
| 43A     | 5303212614 | Clip, harness mount                                   |
| 47      | 216629600  | Screw, hex washer head, 10-16 x 0.500, tapping        |
| 55      | 218909915  | Capacitor, run, 220 VAC, 15 microfarad                |
| 85      | 216533500  | Wire, ground  |
| 86      | 216036600  | Screw, ph washer head, 8-32CA x 0.500, thread forming |
| *       | 297102800  | Spacer-tube   |

## Free Manuals Download Website

<http://myh66.com>

<http://usermanuals.us>

<http://www.somanuals.com>

<http://www.4manuals.cc>

<http://www.manual-lib.com>

<http://www.404manual.com>

<http://www.luxmanual.com>

<http://aubethermostatmanual.com>

Golf course search by state

<http://golfingnear.com>

Email search by domain

<http://emailbydomain.com>

Auto manuals search

<http://auto.somanuals.com>

TV manuals search

<http://tv.somanuals.com>