



WARNING



Nickel Metal Hydride Battery

Regular charge 8 hours

Do not use non-rechargeable batteries. Only use the NiMH batteries and power supply/charger provided by Ken-A-Vision. Replacement Power supply - catalog no. VFPS110R-2 (110v) VFPS230R-2 (230v)

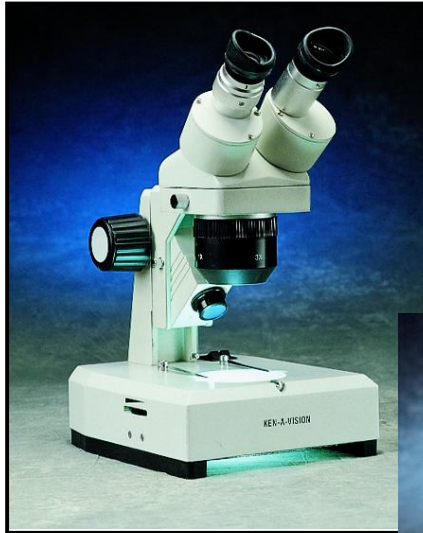
Replacement Battery - catalog no. VFBATBU2

Do Not put battery pack in fire or mutilate, battery may burst or release toxic materials that may cause burns!

WARRANTY: TEN YEAR WARRANTY AGAINST DEFECTIVE PARTS AND WORKMANSHIP. EXCLUDES BULB AND BATTERY.

Ken-A-Vision has quality technicians on staff to repair or service your microscope. Contact us at 1.816.353.4787 for more details.

Ken-A-Vision reserves the right to make design improvements and other changes in accordance with the latest technology. There is no obligation to make changes in products already manufactured. Patents Pending. ©2002 Ken-A-Vision Corporation.



KEN-A-VISION MANUFACTURING Co., Inc.

5615 Raytown Road, Kansas City, MO 64133 U.S.A Tel. 816-353-4787 Fax.

816-358-5072 Email: info@ken-a-vision.com www.ken-a-vision.com

kav.instman.cordless704.pc.v2
Part# INS-SC5C

Cordless Vision

Supplemental Instruction Manual

T-2200C Series

T-2400C

T-2600C

INSTRUCTIONS FOR CHARGING YOUR KEN-A-VISION CORDLESS STEREOSCOPE

1. Plug in the round pin adapter from the power supply to the back of your stereoscope.
2. Then connect the opposite end to a 110v (220v international) electrical outlet.
3. With 1 over-night charge you can use your stereoscope for up to 15 hours of continuous operation.
4. You do not have to fully discharge or drain the battery to recharge.

TECHNICAL SPECIFICATIONS

- Power Source Life: 500 Cycles (approximately 4-5 years depending on usage)
- Light Source: "Proprietary Light Board" Technology Equivalent to a 20 Watt Bulb
- Power Source: Built-in rechargeable NiMH (Nickel Metal Hydride)
- "Light Board" Life 100,000 Hours
- Cool Operating Temperature Less Than 25°C (75°F)
- 10 year limited warranty on stereoscope.

EQUIPMENT RATING:

DESCRIPTION OF INPUT OUTPUT CONNECTION

Should you need a replacement power supply/charger, contact Ken-A-Vision or your dealer. When using internationally, be sure to use the correct AC voltage either 110V, 220V, or 240V output voltage catalog (230v part # VFPS230R-2 or 110v part #VFPS1209300R). Output voltage is 9 volt DC 300mA and a 2.5 mmV barreled styled center position plug. connection of:



INPUT: 9VDC, 300 MA

The power supply/charger are made exclusively for the Ken-A-Vision Cordless Stereoscope. Failure to use non-Ken-A-Vision parts will void the warranty of your stereoscope.

Note: This equipment has been tested and found to comply with the limits for UL Standard 61010A-1.

ENVIRONMENTAL CONDITIONS

This equipment is designed to be safe at least under the following conditions:

- indoor use;
- altitude up to 2 000 m
- temperature 5° to 40°C;
- maximum relative humidity 80% for temperatures up to 31°C decreasing linearly to 50% relative humidity at 40°C;
- main supply voltage fluctuations not to exceed +/- 10% of the nominal voltage;
- transient overvoltages according to installation categories;
- Pollution Degree 2 in accordance with IEC661
Normally non-conductive pollution occurs. Occasionally, however, a temporary conductivity caused by condensation must be expected.

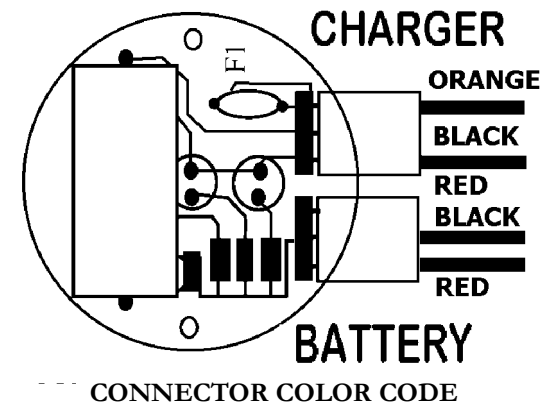
EQUIPMENT MAINTENANCE

The battery type is NIMH (Nickel Metal Hydride) part # VFBATBU2
Should you need a replacement power supply/charger, or battery, contact your nearest Ken-A-Vision dealer.

INSTRUCTIONS FOR REPLACEMENT OF CHARGER

Remove the connector cable marked battery from the light board. Next remove the old NIMH battery and properly discard.

To replace the NIMH battery simply plug in the cables to the appropriate color codes as indicated below. Secure the velcro strips to the battery and affix to the bottom of your stereoscope.



Free Manuals Download Website

<http://myh66.com>

<http://usermanuals.us>

<http://www.somanuals.com>

<http://www.4manuals.cc>

<http://www.manual-lib.com>

<http://www.404manual.com>

<http://www.luxmanual.com>

<http://aubethermostatmanual.com>

Golf course search by state

<http://golfingnear.com>

Email search by domain

<http://emailbydomain.com>

Auto manuals search

<http://auto.somanuals.com>

TV manuals search

<http://tv.somanuals.com>